



**Robert Bosch Power Tools GmbH**  
70538 Stuttgart  
GERMANY

[www.bosch-pt.com](http://www.bosch-pt.com)

**1 609 92A 39W** (2015.09) PS / 31 ASIA



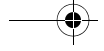
1 609 92A 39W

## GAS 12 V-LI Professional

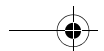


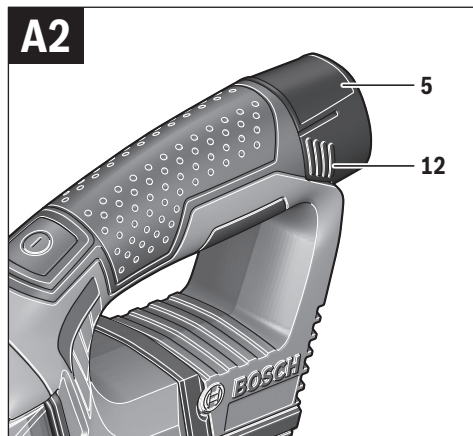
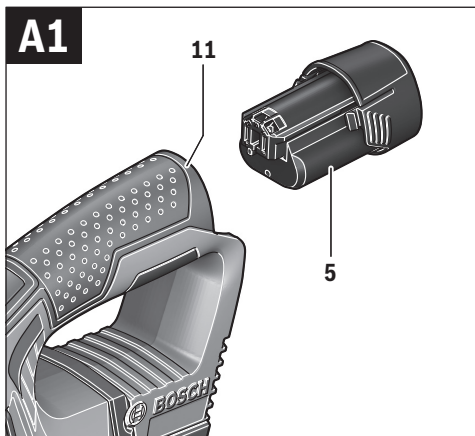
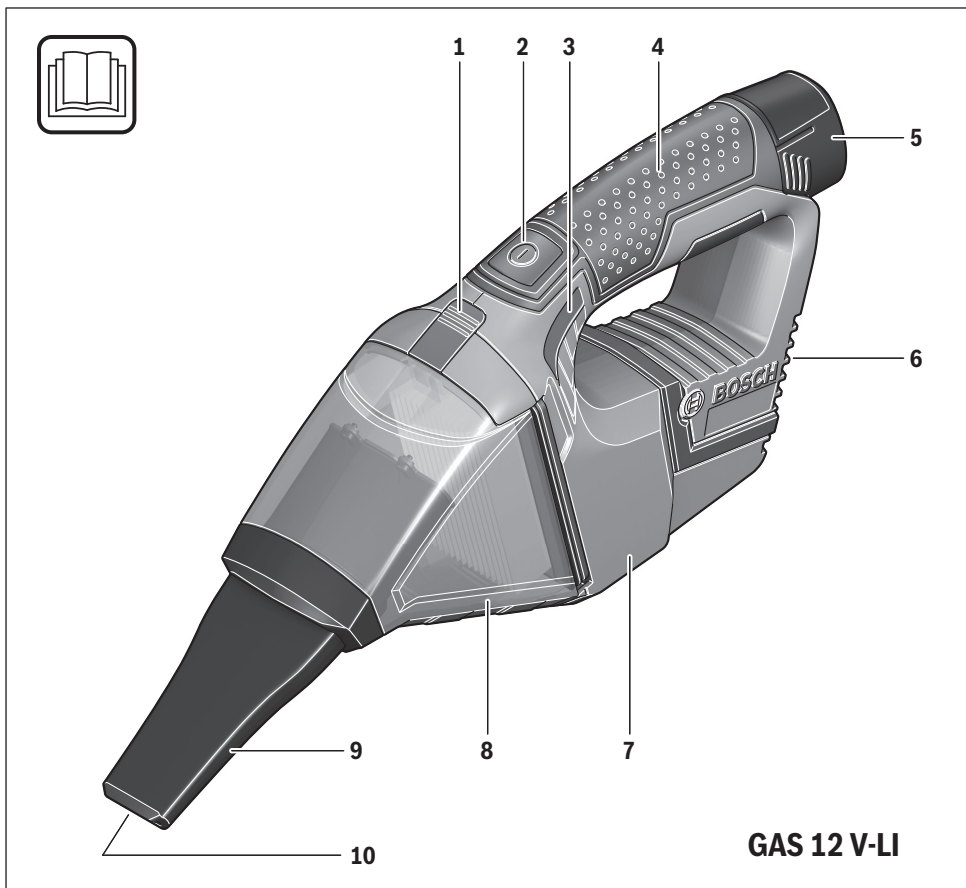
- en** Original instructions
- cn** 正本使用说明书
- tw** 原始使用說明書
- ko** 사용 설명서 원본
- th** หนังสือคู่มือการใช้งานฉบับต้นแบบ
- id** Petunjuk-Petunjuk untuk Penggunaan Orisinal
- vi** Bản gốc hướng dẫn sử dụng



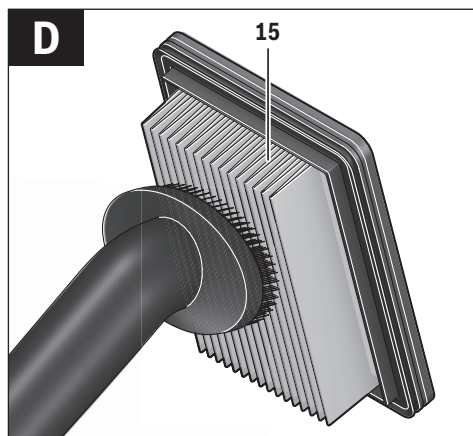
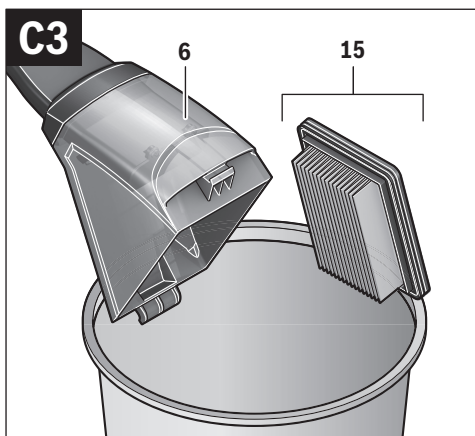
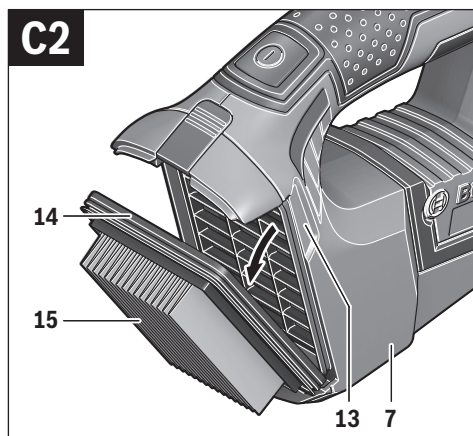
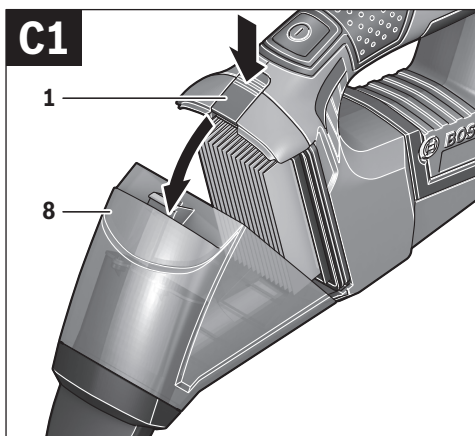
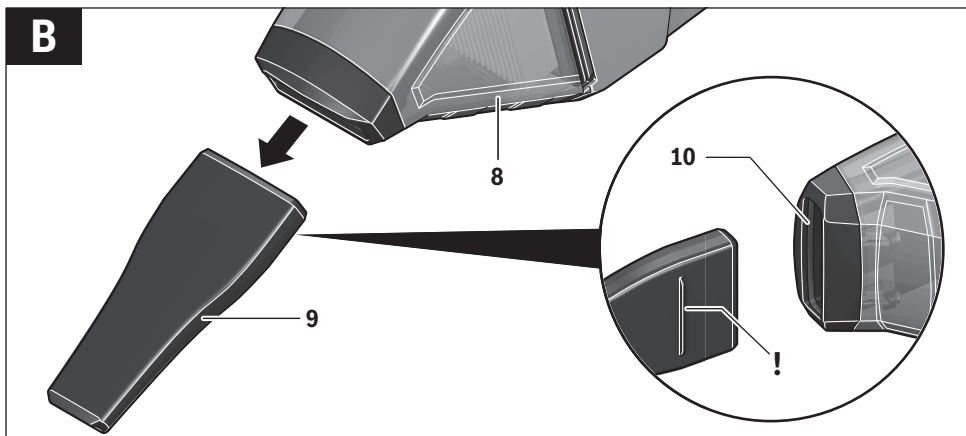


|                        |         |    |
|------------------------|---------|----|
| English .....          | Page    | 5  |
| 中文 .....               | 页       | 9  |
| 中文 .....               | 頁       | 12 |
| 한국어 .....              | 페이지     | 15 |
| ภาษาไทย.....           | หน้า    | 18 |
| Bahasa Indonesia ..... | Halaman | 22 |
| Tiếng Việt .....       | Trang   | 25 |





4 |



## English

### Safety Notes



**Read all safety warnings and all instructions.** Failure to follow the warnings and instructions may result in electric shock, fire and/or serious injury.

Save these instructions.

▶ **This vacuum cleaner is not intended for use by children and persons with physical, sensory or mental limitations or a lack of experience or knowledge.**

**This vacuum cleaner can be used by children aged 8 or older and by persons who have physical, sensory or mental limitations or a lack of experience or knowledge if a person responsible for their safety supervises them or has instructed them in the safe operation of the vacuum cleaner and they understand the associated dangers.** Otherwise, there is a danger of operating errors and injuries.

▶ **Supervise children during use, cleaning and maintenance.** This will ensure that children do not play with the vacuum cleaner.

**⚠ WARNING** Do not vacuum materials that are harmful to one's health, e. g. dust from beech or oak wood, masonry dust, asbestos. These materials are considered carcinogenic.

**Inform yourself about the valid regulations/laws for your country concerning the handling of materials that are hazardous to one's health.**

**⚠ WARNING** Use the vacuum cleaner only when you fully understand and can perform all functions without limitation, or have received appropriate instructions. A thorough introduction reduces operating errors and injuries.

**⚠ WARNING** The vacuum cleaner is suitable only for vacuuming dry materials. The penetration of liquids increases the risk of an electric shock.

**⚠ IMPORTANT** The vacuum cleaner may only be used and stored indoors. The penetration of rain or moisture into the vacuum cleaner lid increases the risk of an electric shock.

**⚠ WARNING** Do not vacuum hot or burning dusts, and in rooms with an explosion hazard. Dusts can ignite or explode.

- ▶ **Remove the battery before cleaning or performing maintenance on the vacuum cleaner, making tool adjustments, changing accessories or storing the vacuum cleaner.** This safety measure prevents the vacuum cleaner from being started accidentally.
- ▶ **Provide for good ventilation at the working place.**
- ▶ **Have the vacuum cleaner repaired only through qualified specialists and only using original spare parts.** This ensures that the safety of your vacuum cleaner is maintained.
- ▶ **Do not clean the vacuum cleaner with a water jet pointed directly at it.** The penetration of water into the vacuum cleaner lid increases the risk of an electric shock.
- ▶ **The intake port and ventilation slots must not be shut, covered or clogged.** This is to ensure proper operation of the motor.
- ▶ **Do not vacuum any sharp-edged objects such as broken glass, nails, stones, needles or razor blades.** This is to ensure that the filter is not damaged.
- ▶ **Do not open the battery.** Danger of short-circuiting.



**Protect the battery against heat, e. g., against continuous intense sunlight, fire, water, and moisture.** Danger of explosion.

- ▶ **When battery pack is not in use, keep it away from other metal objects like paper clips, coins, keys, nails, screws, or other small metal objects that can make a connection from one terminal to another.** Shorting the battery terminals together may cause burns or a fire.
- ▶ **Under abusive conditions, liquid may be ejected from the battery; avoid contact. If contact accidentally occurs, flush with water. If liquid contacts eyes, additionally seek medical help.** Liquid ejected from the battery may cause irritations or burns.
- ▶ **In case of damage and improper use of the battery, vapours may be emitted. Ventilate the area and seek medical help in case of complaints.** The vapours can irritate the respiratory system.
- ▶ **Recharge only with the charger specified by the manufacturer.** A charger that is suitable for one type of battery pack may create a risk of fire when used with another battery pack.
- ▶ **Use the battery only together with your Bosch product.** This is the only way to protect the battery against dangerous overload.
- ▶ **The battery can be damaged by pointed objects such as nails or screwdrivers or by force applied externally.** An internal short circuit can occur and the battery can burn, smoke, explode or overheat.

6 | English

## Product Description and Specifications

### Intended Use

The vacuum cleaner is intended for vacuuming dry materials that are not harmful to one's health.

**WARNING** Use the vacuum cleaner only after having received sufficient information on its usage. A thorough introduction reduces operating errors and injuries.

### Product Features

The numbering of the product features refers to the illustration of the vacuum cleaner on the graphics page.

- 1 Release button for dust cup
- 2 On/Off button
- 3 Battery charge-control indicator
- 4 Handle
- 5 Battery pack\*
- 6 Venting slots
- 7 Motor housing
- 8 Dust cup
- 9 Crevice nozzle
- 10 Intake port
- 11 Battery port
- 12 Battery unlocking button
- 13 Opening
- 14 Filter seal
- 15 Filter assembly

\*Accessories shown or described are not part of the standard delivery scope of the product. A complete overview of accessories can be found in our accessories program.

### Technical Data

| Cordless dry vacuum cleaner                |     | GAS 12 V-Li   |
|--|-----|---------------|
| Article number                             |     | 3 601 JE3 0.. |
| Container volume                           | l   | 0.4           |
| Vacuum, max.                               | hPa | 45            |
| Airflow, max.                              | l/s | 15            |
| Weight according to EPTA-Procedure 01:2014 | kg  | 0.88 - 1.1    |
| Permitted ambient temperature              |     |               |
| – during charging                          | °C  | 0... +45      |
| – during operation* and during storage     | °C  | -20... +50    |
| Recommended batteries                      |     | GBA 12V...0.. |
| Recommended chargers                       |     | GAL 12.. CV   |

\* Limited performance at temperatures < 0 °C  
 Technical data determined with battery from delivery scope.

## Assembly

### Battery Charging

► **Use only the battery chargers listed on the accessories page.** Only these battery chargers are matched to the lithium-ion battery pack used in your vacuum cleaner.

**Note:** The battery supplied is partially charged. To ensure full capacity of the battery, completely charge the battery in the battery charger before using your power tool for the first time.

The lithium-ion battery can be charged at any time without reducing its service life. Interrupting the charging procedure does not damage the battery.

The lithium-ion battery is protected against deep discharging by the "Electronic Cell Protection (ECP)". When the battery is empty, the machine is switched off by means of a protective circuit: The inserted tool no longer rotates.

► **After the automatic shut-off of the vacuum cleaner, do not continue to press the On/Off button.** The battery pack could become damaged.

A significantly reduced working period after charging indicates that the battery is used and must be replaced.

Observe the notes for disposal.

### Battery Charge-control Indication

The three green LEDs of the battery charge-control indicator **3** show the charging status of the battery **5**. The battery charge-control indicator only illuminates for 3 seconds after start-up.

| LED                           | Capacity |
|-------------------------------|----------|
| Continuous lighting 3 x green | ≥ 2/3    |
| Continuous lighting 2 x green | ≥ 1/3    |
| Continuous lighting 1 x green | < 1/3    |
| Flashing light 1 x green      | Reserve  |

When no LED lights up after switching on, then the battery is defective and must be replaced.

### Battery Insertion/Removal (see figures A1 – A2)

► **Do not use force to insert the battery.** The battery is designed in such a way that it can only be inserted into the vacuum cleaner when it is in the right position.

- Slide the battery **5** all the way into the battery compartment **11**.
- To remove the battery pack **5**, press the unlocking buttons **12** and pull the battery pack out of the battery port **11**.

### Mounting the Crevice Nozzle (see figure B)

► **Remove the battery before cleaning or performing maintenance on the vacuum cleaner, making tool adjustments, changing accessories or storing the vacuum cleaner.** This safety measure prevents the vacuum cleaner from being started accidentally.

The crevice nozzle **9** can be connected directly to the dust chamber **8**.

- Firmly insert the crevice nozzle **9** into the intake port **10** on the dust chamber **8** with the mark shown in the illustration facing down.

## Operation

- ▶ **Remove the battery before cleaning or performing maintenance on the vacuum cleaner, making tool adjustments, changing accessories or storing the vacuum cleaner.** This safety measure prevents the vacuum cleaner from being started accidentally.

### Starting Operation

- ▶ **Before vacuuming, ensure that the filter assembly is assembled securely.**
- ▶ **Only use an undamaged filter (no cracks, small holes, etc.). Replace a damaged filter immediately.**

### Switching On and Off

To save energy, only switch the vacuum cleaner on when using it.

- To **switch on** the vacuum cleaner, press the On/Off button **2**.
- To **switch off** the vacuum cleaner, press the On/Off button **2** again.

## Maintenance and Service

### Maintenance and Cleaning

- ▶ **Remove the battery before cleaning or performing maintenance on the vacuum cleaner, making tool adjustments, changing accessories or storing the vacuum cleaner.** This safety measure prevents the vacuum cleaner from being started accidentally.
- ▶ **For safe and proper working, always keep the vacuum cleaner and ventilation slots clean.**
- Clean the vacuum cleaner housing from time to time using a moist cloth.
- Clean soiled charger contacts using a dry cloth.

### Cleaning the Dust Cup (see figures C1 – C3)

To maintain the optimum performance of the vacuum cleaner, clean the dust cup **8** after each use.

- Hold the vacuum cleaner down slightly so that dust cannot fall out of the dust chamber when the vacuum cleaner is opened.
- Press release button **1** and remove the dust cup **8** from the motor housing **7**.
- Reach into the recess **13** on the motor housing **7** and pull the filter unit **15** off the motor housing by the filter seal **14**.
- Shake/tap out the dust cup **8** over a suitable waste bin.
- If required, clean the dust cup with a moist cloth. If required, clean the filter assembly (see "Cleaning the Filter Assembly", page 7).
- Insert the filter unit **15** with the filter seal **14** back into the motor housing **7**. Afterwards, hang the dust cup at the bottom into the motor housing, apply light pressure until the dust cup can be heard to engage.

### Cleaning the Filter Assembly (see figure D)

The filter unit **15** must not be wet cleaned.

- Hold the vacuum cleaner down slightly so that dust cannot fall out of the dust chamber when the vacuum cleaner is opened.
- Press release button **1** and remove the dust cup **8** from the motor housing **7**.
- Reach into the recess **13** on the motor housing **7** and pull the filter unit **15** off the motor housing by the filter seal **14**.
- Brush down the flaps of the pleated filter with a soft broom.
- Assembly is carried out in reverse order.

### Malfunctions

In the case of insufficient vacuuming performance, check the following:

- Is the dust cup **8** full?  
▷ See "Cleaning the Dust Cup", page 7.
- Is the folded filter clogged with dust?  
▷ See "Cleaning the Filter Assembly", page 7.
- Is the capacity of the battery pack too low?  
▷ See "Battery Charging", page 6.

Regular emptying of the dust cup **8** and cleaning of the filter assembly **15** ensures optimal vacuum capacity.

If the vacuuming performance is not achieved thereafter, take the vacuum cleaner to customer service.

### After-sales Service and Application Service

Our after-sales service responds to your questions concerning maintenance and repair of your product as well as spare parts. Exploded views and information on spare parts can also be found under:

#### **www.bosch-pt.com**

Bosch's application service team will gladly answer questions concerning our products and their accessories.

In all correspondence and spare parts orders, please always include the 10-digit article number given on the nameplate of the product.

#### **People's Republic of China**

##### **China Mainland**

Bosch Power Tools (China) Co., Ltd.  
567, Bin Kang Road  
Bin Jiang District 310052  
Hangzhou, P. R. China  
Service Hotline: 4008268484  
Fax: (0571) 87774502  
E-Mail: contact.ptcn@cn.bosch.com  
www.bosch-pt.com.cn

##### **HK and Macau Special Administrative Regions**

Robert Bosch Hong Kong Co. Ltd.  
21st Floor, 625 King's Road  
North Point, Hong Kong  
Customer Service Hotline: +852 2101 0235  
Fax: +852 2590 9762  
E-Mail: info@hk.bosch.com  
www.bosch-pt.com.hk

## 8 | English

**Indonesia**

PT Robert Bosch  
 Palma Tower 10<sup>th</sup> Floor  
 Jl. RA Kartini II-S Kaveling 6 Sek II  
 Pondok Pinang, Kebayoran Lama  
 Jakarta Selatan 12310  
 Indonesia  
 Tel.: (021) 3005 5800  
 Fax: (021) 3005 5801  
 E-Mail: boschpowertools@id.bosch.com  
 www.bosch-pt.co.id

**Philippines**

Robert Bosch, Inc.  
 28th Floor Fort Legend Towers,  
 3rd Avenue corner 31st Street,  
 Fort Bonifacio Global City,  
 1634 Taguig City, Philippines  
 Tel.: (02) 8703871  
 Fax: (02) 8703870  
 matheus.contiero@ph.bosch.com  
 www.bosch-pt.com.ph

Bosch Service Center:  
 9725-27 Kamagong Street  
 San Antonio Village  
 Makati City, Philippines  
 Tel.: (02) 8999091  
 Fax: (02) 8976432  
 E-Mail: rosalie.dagdagan@ph.bosch.com

**Malaysia**

Robert Bosch Sdn. Bhd.  
 No. 8A, Jalan 13/6  
 G.P.O. Box 10818  
 46200 Petaling Jaya  
 Selangor, Malaysia  
 Tel.: (03) 79663194  
 Fax: (03) 79583838  
 E-Mail: cheehoe.on@my.bosch.com  
 Toll-Free: 1800 880188  
 www.bosch-pt.com.my

**Thailand**

Robert Bosch Ltd.  
 Liberty Square Building  
 No. 287, 11 Floor  
 Silom Road, Bangrak  
 Bangkok 10500  
 Tel.: 02 6393111  
 Fax: 02 2384783  
 Robert Bosch Ltd., P. O. Box 2054  
 Bangkok 10501, Thailand  
 www.bosch.co.th

Bosch Service – Training Centre  
 La Salle Tower Ground Floor Unit No.2  
 10/11 La Salle Moo 16  
 Srinakharin Road  
 Bangkaew, Bang Plee  
 Samutprakarn 10540  
 Thailand  
 Tel.: 02 7587555  
 Fax: 02 7587525

**Singapore**

Powerwell Service Centre Ptd Ltd  
 65 Ubi Crescent, #06-03 HOLA Centre  
 Singapore 408559  
 Tel.: 6746 9770/71  
 Fax: 6746 9760  
 E-Mail: powerwellsc@gmail.com  
 Toll-Free: 1800 3338333  
 www.bosch-pt.com.sg

**Vietnam**

Robert Bosch Vietnam Co. Ltd  
 13th Floor, 194 Golden Building  
 473 Dien Bien Phu Street  
 Ward 25, Binh Thanh District  
 84 Ho Chi Minh City  
 Vietnam  
 Tel.: (08) 6258 3690  
 Fax: (08) 6258 3692  
 Hotline: (08) 6250 8555  
 E-Mail: tuvankhachhang-pt@vn.bosch.com  
 www.bosch-pt.com.vn  
 www.baohanhbosch-pt.com.vn

**Australia, New Zealand and Pacific Islands**

Robert Bosch Australia Pty. Ltd.  
 Power Tools  
 Locked Bag 66  
 Clayton South VIC 3169  
 Customer Contact Center  
 Inside Australia:  
 Phone: (01300) 307044  
 Fax: (01300) 307045  
 Inside New Zealand:  
 Phone: (0800) 543353  
 Fax: (0800) 428570  
 Outside AU and NZ:  
 Phone: +61 3 95415555  
 www.bosch-pt.com.au  
 www.bosch-pt.co.nz

**Egypt**

Unimar  
 20 Markaz kadmat  
 El tagmoa EL Aoul – New Cairo  
 Tel: +2 02 224 76091 - 95 / + 2 02 224 78072 - 73  
 Fax: +2 02 224 78075  
 E-Mail: adelzaki@unimaregypt.com



**Ethiopia**

Forever plc  
Kebele 2,754, BP 4806,  
Addis Ababa, Ethiopia  
Tel: +251 111 560 600, +251 111 560 600  
E-Mail: foreverplc@ethionet.et

**Nigeria**

C. Woermann Ltd.  
P.O. Box 318  
6, Badejo Kalesanwo Street  
Matori Industrial Estate  
Lagos, Nigeria  
Tel: +234 17 736 498, +234 17 730 904  
E-Mail: d.kornemann@woermann-nigeria.com

**Republic of South Africa****Customer service**

Hotline: (011) 6519600

**Gauteng – BSC Service Centre**

35 Roper Street, New Centre  
Johannesburg  
Tel.: (011) 4939375  
Fax: (011) 4930126  
E-Mail: bsctools@icon.co.za

**KZN – BSC Service Centre**

Unit E, Almar Centre  
143 Crompton Street  
Pinetown  
Tel.: (031) 7012120  
Fax: (031) 7012446  
E-Mail: bsc.dur@za.bosch.com

**Western Cape – BSC Service Centre**

Democracy Way, Prosperity Park  
Milnerton  
Tel.: (021) 5512577  
Fax: (021) 5513223  
E-Mail: bsc@zsd.co.za

**Bosch Headquarters**

Midrand, Gauteng  
Tel.: (011) 6519600  
Fax: (011) 6519880  
E-Mail: rbsa-hq.pts@za.bosch.com

**Transport**

The contained lithium-ion batteries are subject to the Dangerous Goods Legislation requirements. The user can transport the batteries by road without further requirements.

When being transported by third parties (e.g.: air transport or forwarding agency), special requirements on packaging and labelling must be observed. For preparation of the item being shipped, consulting an expert for hazardous material is required.

Dispatch batteries only when the housing is undamaged. Tape or mask off open contacts and pack up the battery in such a manner that it cannot move around in the packaging. Please also observe possibly more detailed national regulations.

**Disposal**

Vacuum cleaners, battery packs, accessories and packaging should be sorted for environmental-friendly recycling.

Do not dispose of vacuum cleaners and battery packs/batteries into household waste!

**Battery packs/batteries:****Li-ion:**

Please observe the instructions in section "Transport", page 9.

Subject to change without notice.

**中文****安全规章**

阅读所有的警告提示和指示。如未确实遵循警告提示和指示，可能导致电击，火灾并且 / 或其他的严重伤害。

妥善保存本使用说明书。

▶ **儿童和身体、感官或精神上有缺陷或缺乏经验与知识的人员不得使用本吸尘器。**

对于八岁以上的儿童和身体、感官或精神上有缺陷或缺乏经验与知识的人员，倘若其得到负责其安全的人员监护或接受过监护人有关吸尘器使用的指导并已了解到可能的危险，则可以使用本吸尘器。否则会有误操作和人身伤害的危险。

▶ **在使用、清洁和保养时请看管好儿童。以确保儿童不使用吸尘器玩耍。**

**警告！** 不可以吸集有碍健康的物料，例如山毛榉尘或橡木尘、石尘、石棉尘等。上述灰尘可能导致癌症。

请了解在贵国处理有损健康的灰尘时需遵守的现行法规 / 法律。

## 10 | 中文

**警告！** 只有当您充分预估所有功能，并能在不受限制的情况下执行这些功能，或者得到相应指示时，您才能使用本吸尘器。详细的指导可以减少误操作及人身伤害。

**警告！** 本吸尘器仅适用于抽吸干燥物质。液体渗入会增加电击风险。

**注意** 本吸尘器只能在室内使用和保存。雨水或湿气进入吸尘器上部会增加电击风险。

**警告！** 不要抽吸炽热或灼烧的灰尘，也不要存在有爆炸危险的场所使用。灰尘可能会自燃或爆炸。

▶ 在保养或清洁吸尘器、调整设备、更换配件或收起吸尘器前请取出电池。这一项预防措施能防止意外启动吸尘器。

▶ 要确保工作场所通风良好。


▶ 吸尘器只能交给合格的电工修理。修理时只能换装原厂的备件。如此才能确保吸尘器的安全性能。

▶ 清洁吸尘器时，不可以把水柱直接瞄准吸尘器。水如果渗入吸尘器盖会提高触电的危险。

▶ 吸入口和通气孔不允许遮闭、覆盖或堵塞。这样可确保发动机正常运行。

▶ 不要抽吸带有锋利边缘的物体，比如碎玻璃、钉子、石头、针或剃须刀片。以确保不损坏过滤器。

▶ 切勿打开蓄电池。可能造成短路。

 保护蓄电池免受高温（例如长期日照），火焰，水和湿气的侵害。有爆炸的危险。

▶ 不使用的电池盒必须远离回形针，硬币，钥匙，钉子，螺钉或其他小金属物体，以防一端的触点与另一端的触点连接。电池端部短路会引起燃烧或火灾。

▶ 如果使用不当可能从蓄电池渗出液体。避免接触此类流动液体。如果不小心触摸了，马上用水冲洗。假若上述液体侵入眼睛必须即刻就医。从蓄电池流出的液体会刺激或灼伤皮肤。

▶ 如果蓄电池损坏了，或者未按照规定使用蓄电池，蓄电池中会散发出有毒蒸汽。工作场所必须保持空气流通，如果身体有任何不适必须马上就医。蓄电池散发的蒸汽会刺激呼吸道。

▶ 只能使用机器制造商推荐的充电器为蓄电池充电。不可以使用针对某些特定蓄电池的充电器，为其它的蓄电池充电，可能引起火灾。

▶ 本电池仅搭配您的博世产品使用。唯有如此才能避免造成电池过载危险。

▶ 通过尖的物件如钉子或螺丝刀通过外力作用时，可能损坏蓄电池。有可能出现内部短路、蓄电池燃烧、发出烟雾、爆炸或过热。

## 产品和功率描述

## 按照规定使用机器

本吸尘器专用于抽吸对身体无害的干燥物质。

**警告！** 在取得足够的使用资讯后才可以使用本吸尘器。细心的指导可以降低操作错误和受伤的危险。

## 插图上的机件

机件的编号和吸尘器详解图上的编号一致。

- 1 集尘腔解锁按钮
- 2 起停开关
- 3 蓄电池的充电电量指示灯
- 4 手柄
- 5 蓄电池\*
- 6 通气孔
- 7 马达壳
- 8 集尘腔
- 9 缝隙吸嘴
- 10 吸入口
- 11 蓄电池室
- 12 蓄电池的解锁按键
- 13 凹口
- 14 过滤器密封件
- 15 过滤器单元

\* 图表或说明上提到的附件，并不包含在基本的供货范围中。本公司的附件清单中有完整的附件供应项目。

## 技术数据

| 无绳干式吸尘器                |       | GAS 12 V-Li   |
|------------------------|-------|---------------|
| 物品代码                   |       | 3 601 JE3 0.. |
| 容器体积                   | 升     | 0.4           |
| 最大低压                   | hPa   | 45            |
| 最大流量                   | 升 / 秒 | 15            |
| 重量符合                   |       |               |
| EPTA-Procedure 01:2014 | 公斤    | 0.88 - 1.1    |
| 允许的环境温度                |       |               |
| - 充电时                  | ° C   | 0...+45       |
| - 运行* 和储藏时             | ° C   | - 20...+50    |
| 建议使用的充电电池              |       | GBA 12V...0.. |
| 推荐的充电器                 |       | GAL 12.. CV   |

\* 温度 <0 ° C 时功率受限

使用附带的蓄电池所测得的技术数据。

## 安装

### 为蓄电池充电

- ▶ 仅使用布置在配件侧的充电器。只有这些充电器才适用于本吸尘器上的锂离子电池。

**指示：** 蓄电池在交货时只完成部分充电。首度使用电动工具之前，必须先充足蓄电池的电以确保蓄电池的功率。

可以随时为锂离子蓄电池充电，不会缩短电池的使用寿命。如果充电过程突然中断，也不会损坏电池。

本锂离子蓄电池配备了“电子充电室保护装置 (ECP)”，可以防止蓄电池过度放电。电池的电量如果用尽了，保护开关会自动关闭电动工具：安装在机器上的工具会停止转动。

- ▶ 吸尘器自动关闭后请勿继续按压开关按钮。否则可能会损坏电池。

充电后如果蓄电池的使用时间明显缩短，代表蓄电池已经损坏，必须更换新的蓄电池。

请注意有关作废处理的规定。

### 蓄电池的充电电量指示灯

蓄电池充电电量指示灯三个绿色 LED 灯 3 显示蓄电池 5 的充电电量。充电电量指示灯在启动后只亮起 3 秒。

| LED       | 容量   |
|-----------|------|
| 3 个绿灯持续亮着 | ≥2/3 |
| 2 个绿灯持续亮着 | ≥1/3 |
| 1 个绿灯持续亮着 | <1/3 |
| 1 个绿灯闪烁   | 备用电量 |

如果接通后没有 LED 灯亮起，则说明蓄电池损坏，必须进行更换。

### 安装和拆卸蓄电池（参考图 A1 - A2）

- ▶ 装入蓄电池时不要过度用力。蓄电池的结构决定了它只能在正确的位置才能插入吸尘器中。
- 推动蓄电池 5 直至电池盒限位 11。
- 拿出蓄电池 5 时先按下蓄电池上的解锁按键 12，并把蓄电池从蓄电池室 11 中拉出。

### 安装缝隙吸嘴（参考插图 B）

- ▶ 在保养或清洁吸尘器、调整设备、更换配件或收起吸尘器前请取出电池。这一项预防措施能防止意外启动吸尘器。

缝隙吸嘴 9 可直接与集尘腔 8 插接组装。

- 将缝隙吸嘴卡住 9 并按图中显示的标记向下插入集尘腔 8 上的吸入口 10。

## 操作

- ▶ 在保养或清洁吸尘器、调整设备、更换配件或收起吸尘器前请取出电池。这一项预防措施能防止意外启动吸尘器。

### 操作机器

- ▶ 吸尘前请确保过滤器单元已稳固安装。
- ▶ 仅使用未损坏的过滤器（没有裂缝、孔眼等）。立刻更换已损坏的过滤器。

### 启动 / 关闭

出于节能目的，仅在使用吸尘器时才将其接通。

- 按压开关按钮 2 接通吸尘器。
- 再次按压开关按钮 2 关闭吸尘器。

## 维修和服务

### 维修和清洁

- ▶ 在保养或清洁吸尘器、调整设备、更换配件或收起吸尘器前请取出电池。这一项预防措施能防止意外启动吸尘器。

- ▶ 吸尘器和通气孔必须随时保持清洁，以确保工作效率和工作安全。

- 请不时地用湿布清洁吸尘器壳体。
- 用干布清洁脏污的充电触点。

### 清洁集尘腔（参考插图 C1 - C3）

请在每次使用后清洁集尘腔 8，以保证吸尘器的最佳效率。

- 稍微向下握住吸尘器，以防打开吸尘器时灰尘可能从集尘腔落下。
- 按压解锁按钮 1，然后将集尘腔 8 从电机壳体 7 上取下。
- 握住马达箱 7 上的凹口 13 并将过滤器密封件上的 14 过滤器单元 15 从马达箱拔出。
- 在合适的垃圾箱上方抖动集尘腔 8。
- 必要时用湿布清洁集尘腔。必要时清洁过滤器单元（参见“清洁过滤器单元”，第 11 页）。
- 将过滤器单元 15 连同过滤器密封件 14 重新装入马达箱 7。
- 接着将集尘腔在下方挂到电机壳体上，然后轻轻按压，直到听见集尘腔卡入。

### 清洁过滤器单元（参考插图 D）

过滤器单元 15 不可水洗。

- 稍微向下握住吸尘器，以防打开吸尘器时灰尘可能从集尘腔落下。
- 按压解锁按钮 1，然后将集尘腔 8 从电机壳体 7 上取下。

## 12 | 中文

- 握住马达箱 7 上的凹口 13 并将过滤器密封件上的 14 过滤器单元 15 从马达箱拔下。
- 用软扫帚清除褶式过滤器的片层。
- 组装以相反顺序进行。

**故障**

如果吸尘器的吸力减弱，请检查：

- 集尘腔 8 是否已满？
  - ▷ 参见“清洁集尘腔”，页 11。
- 折叠过滤器 上是否堆积了灰尘？
  - ▷ 参见“清洁过滤器单元”，第 11 页。
- 电池容量太小？
  - ▷ 参见“为蓄电池充电”，第 11 页。

定期清空集尘腔 8 以及清洁过滤器单元 15 能保障最佳的吸尘功率。

做完上述的检查措施后，如果吸尘功率仍然未改善，必须把吸尘器交给顾客服务处检修。

**顾客服务处和顾客咨询中心**

本公司顾客服务处负责回答有关本公司产品的修理、维护和备件的问题。以下的网页中有爆炸图和备件的资料：

[www.bosch-pt.com](http://www.bosch-pt.com)

博世顾客咨询团队非常乐意为您解答有关本公司产品及附件的问题。

如需查询和订购备件，请务必提供产品型号铭牌上的 10 位数货号。

有关保证，维修或更换零件事宜，请向合格的经销商查询。

**中国大陆**

博世电动工具（中国）有限公司  
中国 浙江省 杭州市  
滨江区滨康路 567 号  
邮政编码：310052  
免费服务热线：4008268484  
传真：(0571) 87774502  
电邮：contact\_ptcn@cn.bosch.com  
[www.bosch-pt.com.cn](http://www.bosch-pt.com.cn)

罗伯特·博世有限公司  
香港北角英皇道 625 号 21 楼  
客户服务热线：+852 2101 0235  
传真：+852 2590 9762  
电邮：info@hk.bosch.com  
网站：[www.bosch-pt.com.hk](http://www.bosch-pt.com.hk)

**制造商地址：**

Robert Bosch Power Tools GmbH  
罗伯特·博世电动工具有限公司  
70538 Stuttgart / GERMANY  
70538 斯图加特 / 德国

**搬运**

随着机器一起供货的锂离子蓄电池必须受危险物品法规范。使用者无须另外使用保护包装便可以运送该蓄电池。

但是如果将它交由第三者运送（例如：寄空运或委托运输公司）则须使用特殊的包装和标示。此时必须向危险物品专家请教有关寄送危险物品的相关事宜。

确定蓄电池的外壳未受损后，才可以寄送蓄电池。粘好未加盖的触点并包装好蓄电池，不可以让蓄电池在包装中晃动。

必要时也得注意各国有关的法规。

**处理废弃物**

应对吸尘器、电池、附件和包装进行环保的回收利用。

请勿将吸尘器和电池 / 蓄电池扔到生活垃圾里！

**充电电池 / 电池：****锂离子：**

请注意“搬运”段落中的指示，页 12。

**保留修改权。****中文****安全規章**

**閱讀所有的警告提示和指示。**如未確實遵循警告提示和指示，可能導致電擊、火災並且 / 其他的嚴重傷害。

**妥善保存本使用說明書。**

- ▶ **此吸塵器原本並不是設計提供給兒童以及身體、感官或心智能力有缺陷，或是缺乏相關經驗及知識的人士使用。**

**8 歲以上兒童以及身體、感官或心智能力有缺陷，或是缺乏相關經驗及知識的人士，只要在他人照看下或接受過如何安全處置此吸塵器的指導，並充份瞭解相關危險，即可使用該吸塵器。否則**

可能會造成操作上的錯誤以及受傷危險。

▶ **使用、清潔及維修期間，請隨時留意兒童。** 如此才能確保他們未將本吸塵器當做玩具任意玩耍。

**警告** 不可以吸集有礙健康的物料，例如山毛榉塵或橡木塵，石塵，石棉塵等。上述廢塵可能導致癌症。

請遵循所在地關於有害廢塵的適用規範 / 法律。

**警告** 在您已经能夠完全評估所有的功能，並且可以不受限制地執行各功能或得到相關的指導之後，才可以使用本吸塵器。細心的指導可以降低操作錯誤和受傷的危險。

**警告** 吸塵器僅適合吸進乾燥材料。如有液體滲入材料會增加觸電的危險。

**注意** 吸塵器僅限於室內使用並需儲存於室內。如有雨水和濕氣滲入吸塵器的上部，會增加觸電的危險。

**警告** 不得吸進高溫或燃燒中的灰塵，或在有爆炸危險的環境下使用。廢塵可能會燃燒或爆炸。

▶ 維護或清潔吸塵器、進行設備設定、更換配件或儲藏吸塵器之前，請先拔下充電電池。此預防措施可以防止吸塵器意外啟動。

▶ 要確保工作場所通風良好。


▶ 吸塵器只能交給合格的電工修理。修理時只能換裝原廠的備件。如此才能確保吸塵器的安全性能。

▶ 清潔吸塵器時，不可以把水柱直接瞄準吸塵器。水如果滲入吸塵器蓋會提高觸電的危險。

▶ 抽吸口與通風口不得遮蓋或堵塞。這樣才能確保馬達正常運作。

▶ 請勿吸除如玻璃碎片、釘子、石頭、針頭或刀片等邊緣銳利的物品。以免過濾器受損。

▶ 切勿打開蓄電池。可能造成短路。

 保護蓄電池免受高溫（例如長期日照），火焰，水和濕氣的侵害。有爆炸的危險。

▶ 不使用的電池盒必須遠離回形針、硬幣、鑰匙、釘子、螺釘或其他小金屬物體，以防一端的觸點與另一端的觸點連接。電池端部短路會引起燃燒或火災。

▶ 如果使用不當可能從蓄電池滲出液體。避免接觸此類流動液體。如果不小心觸摸了，馬上用水沖洗。假若上述液體侵入眼睛必須即刻就醫。從蓄電池流出的液體會刺激或灼傷皮膚。

▶ 如果蓄電池損壞了，或者未按照規定使用蓄電池，蓄電池中會散發出有毒蒸汽。工作場所必須保持空氣流通，如果身體有任何不適必須馬上就醫。蓄電池散發的蒸汽會刺激呼吸道。

▶ 只能使用機器制造商推薦的充電器為蓄電池充電。不可以使用針對某些特定蓄電池的充電器，為其它的蓄電池充電，可能引起火災。

▶ 請務必依您的博世產品使用正確的蓄電池。如此才可依照產品提供過載保護。

▶ 尖銳物品（例如釘子或螺絲起子）或是外力皆有可能造成充電電池損壞，進而導致內部短路而發生電池起火、冒煙、爆炸或過熱等事故。

## 產品和功率描述

### 按照規定使用機器

本吸塵器適合用於吸除不會危害健康的乾燥物質。

**警告** 在取得足夠的使用資訊後才可以使用本吸塵器。細心的指導可以降低操作錯誤和受傷的危險。

### 插圖上的機件

機件的編號和吸塵器詳解圖上的編號一致。

- 1 集塵室解鎖按鈕
- 2 起停開關
- 3 蓄電池的充電電量指示燈
- 4 手柄
- 5 蓄電池\*
- 6 通氣孔
- 7 馬達殼
- 8 集塵室
- 9 吸塵頭
- 10 抽吸口
- 11 蓄電池室
- 12 蓄電池的解鎖按鈕
- 13 開口
- 14 濾芯墊片
- 15 濾芯

\*圖表或說明上提到的附件，並不包含在基本的供貨範圍中。本公司的附件清單中有完整的附件供應項目。

## 14 | 中文

## 技術性數據

| 乾式蓄電池                  |       | GAS 12 V-Li   |       |
|------------------------|-------|---------------|-------|
| 物品代碼                   |       | 3 601 JE3 0.. |       |
| 集塵室容量                  | 升     | 0.4           |       |
| 最大低壓                   | 百帕    | 45            |       |
| 最大流量                   | 升 / 秒 | 15            |       |
| 重量符合                   |       |               |       |
| EPTA-Procedure 01:2014 | 公斤    | 0.88          | – 1.1 |
| 容許環境溫度                 |       |               |       |
| - 充電狀態下                | °C    | 0...+45       |       |
| - 運轉時* 與存放狀態下          | °C    | -20...+50     |       |
| 建議使用之充電電池              |       | GBA 12V...0-  |       |
| 建議使用的充電器               |       | GAL 12.. CV   |       |

\* 溫度 <0 °C 時，性能受限

使用附帶的蓄電池所測得的技術數據。

## 安裝

## 為蓄電池充電

▶ **請務必使用配件頁中所列出的充電器。** 僅有這些充電器適用於吸塵器所使用的鋰離子蓄電池。

**指示：**蓄電池在交貨時只完成部分充電。首度使用電動工具之前，必須先充足蓄電池的電以確保蓄電池的功率。

可以隨時為鋰離子蓄電池充電，不會縮短電池的使用壽命。如果充電過程突然中斷，也不會損壞電池。

本鋰離子蓄電池配備了 "電子充電室保護裝置 (ECP)"，可以防止蓄電池過度放電。電池的電量如果用盡了，保護開關會自動關閉電動工具：安裝在機器上的工具會停止轉動。

▶ **吸塵器自動關閉後請勿再按下起停開關，** 否則蓄電池可能會損壞。

充電後如果蓄電池的使用時間明顯縮短，代表蓄電池已經損壞，必須更換新的蓄電池。

請注意有關作廢處理的規定。

## 蓄電池的充電電量指示燈

充電電池的充電電量顯示器 **3** 有三顆綠色 LED 燈，代表充電電池 **5** 目前的電量。充電電量顯示器會在功能啟用後亮起 **3** 秒。

| LED       | 容量   |
|-----------|------|
| 3 個綠燈持續亮著 | ≥2/3 |
| 2 個綠燈持續亮著 | ≥1/3 |
| 1 個綠燈持續亮著 | <1/3 |
| 1 個綠燈閃爍   | 備用電量 |

開機後若無 LED 燈亮起，表示充電電池故障，必須予以更換。

## 安裝和拆卸蓄電池（參考插圖 A1 - A2）

▶ **裝入充電電池時請勿用力過度。** 充電電池所採取的構造設計是，只能嵌入在吸塵器內的正確位置上。

- 將充電電池 **5** 往電池盒 **11** 內推到底。
- 拿出蓄電池 **5** 時先按下蓄電池上的解鎖按鍵 **12**，並把蓄電池從蓄電池室 **11** 中拉出。

## 安裝隙縫吸頭（參考插圖 B）

▶ **維護或清潔吸塵器、進行設備設定、更換配件或儲藏吸塵器之前，請先拔下充電電池。** 此預防措施可以防止吸塵器意外啟動。

隙縫吸頭 **9** 可直接與集塵室 **8** 組合。

- 將隙縫吸頭 **9** 卡緊，然後依照圖中的指示符號往嵌入集塵室 **8** 的抽吸口 **10** 內。

## 操作

▶ **維護或清潔吸塵器、進行設備設定、更換配件或儲藏吸塵器之前，請先拔下充電電池。** 此預防措施可以防止吸塵器意外啟動。

## 操作機器

▶ **開始使用吸塵器之前，請確定已確實裝上濾芯。**

▶ **僅可使用完好無缺的濾芯（無裂縫或小洞等）。如濾芯損壞，請立即更換。**

## 開動 / 關閉

如未使用，請關閉吸塵器以節省電源。

- 要啟動吸塵器，請按一下起停開關 **2**。
- 要關閉吸塵器，請再按一下起停開關 **2**。

## 維修和服務

## 維修和清潔

▶ **維護或清潔吸塵器、進行設備設定、更換配件或儲藏吸塵器之前，請先拔下充電電池。** 此預防措施可以防止吸塵器意外啟動。

▶ **吸塵器和通氣孔必須隨時保持清潔，以確保工作效率和工作安全。**

- 您可以每隔一段時間以濕布清潔吸塵器外部。
- 充電接點請以乾布擦拭。

## 清潔集塵室（參考插圖 C1 - C3）

每次使用完畢後清潔集塵室 **8**，以維持最佳的吸塵效果。

- 將吸塵器稍微朝下，以免打開吸塵器時塵垢從集塵室內掉出。
- 按下解鎖按鈕 **1**，並將集塵室 **8** 從機體外殼 **7** 拆下。
- 抓住馬達機體 **7** 上的開口 **13**，然後將濾芯 **15** 從濾芯墊片 **14** 處拔離馬達機體。
- 將集塵室 **8** 裡的灰塵清理至合適的容器中。

- 如有需要，請以濕布清潔集塵室。  
視需要清潔濾芯（請參閱第 15 頁的“清潔濾芯”）。
- 將濾芯 15 連同濾芯墊片 14 一起重新裝回至馬達機體 7 內。  
然後再將集塵室下半部分裝回機體外殼，請輕壓集塵室下半部直到聽到卡止聲即可。

#### 清潔濾芯（參考插圖 D）

濾芯 15 不能以任何液體清潔。

- 將吸塵器稍微朝下，以免打開吸塵器時塵垢從集塵室內掉出。
- 按了解鎖按鈕 1，並將集塵室 8 從機體外殼 7 拆下。
- 抓住馬達機體 7 上的開口 13，然後將濾芯 15 從濾芯墊片 14 處拔離馬達機體。
- 用柔軟的刷子輕刷折疊式過濾器的濾網層。
- 依相反順序裝回。

#### 故障

如果吸塵器的吸力減弱，請檢查：

- 集塵室 8 已滿？  
▷ 請參閱第 14 頁的“清潔集塵室”。
- 折疊過濾器 上是否堆積了灰塵？  
▷ 請參閱第 15 頁的“清潔濾芯”。
- 蓄電池容量不足？  
▷ 請參閱第 14 頁的“為蓄電池充電”。

定期清空集塵室 8 並清潔濾芯 15，以確保最佳吸力。  
做完上述的檢查措施後，如果吸塵功率仍然未改善，必須把吸塵器交給顧客服務處檢修。

#### 顧客服務處和顧客諮詢中心

本公司顧客服務處負責回答有關本公司產品的修理、維護和備件的問題。以下的網頁中有爆炸圖和備件的資料：

[www.bosch-pt.com](http://www.bosch-pt.com)

博世顧客諮詢團隊非常樂意為您解答有關本公司產品及附件的問題。

當您需要諮詢或訂購備用零組件時，請務必提供本產品型號銘牌上的 10 位項目編號。

#### 台灣

台灣羅伯特博世股份有限公司  
建國北路一段 90 號 6 樓  
台北市 10491

電話：(02) 2515 5388

傳真：(02) 2516 1176

[www.bosch-pt.com.tw](http://www.bosch-pt.com.tw)

#### 製造商地址：

Robert Bosch Power Tools GmbH  
羅伯特·博世電動工具有限公司  
70538 Stuttgart / GERMANY  
70538 斯圖加特 / 德國

#### 搬運


隨著機器一起供貨的鋰離子蓄電池必須受危險物品法規範。使用者無須另外使用保護包裝便可以運送該蓄電池。

但是如果將它交由第三者運送（例如：寄空運或委託運輸公司）則要使用特殊的包裝和標示。此時必須向危險物品專家請教有關寄送危險物品的相關事宜。

確定蓄電池的外殼未受損後，才可以寄送蓄電池。粘好未加蓋的觸點並包裝好蓄電池，不可以讓蓄電池在包裝中晃動。

必要時也得注意各國有關的法規。

#### 處理廢棄物

 吸塵器、蓄電池、配件與外包裝須遵照環保相關法規進行資源回收。

不得將吸塵器與蓄電池 / 一般電池當成一般垃圾丟棄！

**蓄電池 / 一般電池：**



**鋰離子：**

請注意“搬運”段落中的指示，頁 15。

保留修改權。

## 한국어

### 안전 수칙



모든 안전수칙과 지시 사항을 상세히 읽고 지켜야 합니다. 다음의 안전수칙과 지시 사항을 준수하지 않으면 화재 위험이 있으며 감전 혹은 중상을 입을 수 있습니다.

이 사용 설명서를 잘 보관하십시오.

- ▶ 본 진공청소기는 어린이와 지적 장애자 및 신체 부자유자, 또는 경험이나 지식이 부족한 사람이 사용할 수 없습니다. 본 진공청소기는 안전 책임자의 감독 하에 혹은 감독자에게 안전한 사용법과 관련 위험사항에 대한 교육을 받고 이해한 경우에 한해서만 8세 이상의 어린이, 지적 장애자 및 신체 부자유자, 혹은 경험이나 지식이 부족한 사람이

16 | 한국어

**사용할 수 있습니다.** 이를 지키지 않을 경우, 오작동과 부상의 위험이 따릅니다.

▶ **사용, 세척 및 유지보수 작업 시 어린이들이 가까이 오지 않도록 해주십시오.** 진공청소기를 가지고 장난치는 일이 없도록 해야 합니다.

**⚠ 경고** 너도 밤나무나 떡갈나무의 분진, 석재 및 석면 분진 등 건강을 해칠 수 있는 물질에 사용하지 마십시오. 이러한 재료의 분진은 암을 유발시킵니다.

유해먼지 관리에 관한 국가 규정이나 법규를 참고하십시오.

**⚠ 경고** 진공청소기의 기능을 모두 이해하여 사용에 익숙함이 없거나, 적절한 설명을 들은 사람만이 진공청소기를 사용할 수 있습니다. 작동과 부상을 방지하기 위해 상세한 안내가 필요합니다.

**⚠ 경고** 건조 상태의 물질만 진공청소기로 흡입할 수 있습니다. 액체가 유입될 경우 감전의 위험이 높아집니다.

**⚠ 주의** 진공청소기는 실내공간에서만 사용 및 보관합니다. 진공청소기 상부로 빗물이나 수분이 유입될 경우 감전의 위험이 높아집니다.

**⚠ 경고** 뜨겁거나 연소성 먼지를 흡입해서는 안 되며, 폭발위험이 있는 공간에서 청소기를 사용할 수 없습니다. 먼지에 불이 붙거나 폭발할 수 있습니다.

▶ 청소기의 유지보수, 세척하기 전, 장치 설정, 액세서리 교환 또는 청소기 보관 전에 배터리를 제거하십시오. 이는 청소기가 불필요하게 작동되거나 제품이 고장나는 것을 방지합니다.

▶ 작업장에 환기가 잘 되도록 하십시오.

▶ 진공청소기의 수리는 반드시 전문 인력에게 맡기고 수리 정비 시 보쉬 순정 부품만을 사용하십시오. 그렇게 함으로써 진공청소기의 안정성을 오래 유지할 수 있습니다.

▶ 진공청소기에 직접 물을 뿌려 닦지 마십시오. 청소기 상부를 통해 내부로 물이 들어가면 감전될 위험이 높습니다.

▶ 환기구를 닫거나 커버를 덮는 행위는 삼가해 주십시오. 이를 통해 모터가 제대로 작동됩니다.

▶ 유리 조각, 못, 돌, 바늘 또는 면도날 등 모서리가 날카로운 물건은 흡입되지 않도록 하십시오. 이를 통해 필터가 손상되는 것을 막을 수 있습니다.

▶ 배터리를 분해하지 마십시오. 단락이 발생할 위험이 있습니다.



배터리를 태양 광선 등 고열에 장시간 노출되지 않도록 하고 불과 물, 수분이 있는 곳에 두지 마십시오. 폭발할 위험이 있습니다.

▶ 배터리를 사용하지 않을 때는 각 극 사이에 브리징 상태가 생길 수 있으므로 페이퍼 클립, 동전, 열쇠, 못이나 나사 등 유사한 작은 금속성 물체와 멀리하여 보관하도록 하십시오. 배터리 극 사이에 쇼트가 발생하여 화상을 입거나 화재를 야기할 수 있습니다.

▶ 배터리를 잘못 사용했을 경우 누수가 생길 수 있습니다. 이 경우 배터리에 닿지 않도록 하십시오. 만일 피부에 접하게 되었다면 물로 깨끗이 닦아 내십시오. 액체가 눈에 들어갔을 경우 물로 닦아내고 의사와 상담하십시오. 배터리에서 흘러 나오는 액체는 피부에 자극을 주거나 화상을 유발할 수 있습니다.

▶ 배터리가 손상되었거나 잘못 사용될 경우 증기가 발생할 수 있습니다. 작업장을 환기시키고, 필요한 경우 의사와 상담하십시오. 증기로 인해 호흡기가 자극될 수 있습니다.

▶ 배터리를 충전할 때 제조 회사가 추천하는 충전기만을 사용하십시오. 특정 제품의 배터리를 위해 생산된 충전기에 적합하지 않은 다른 배터리를 충전할 경우 화재 위험이 있습니다.

▶ 배터리는 반드시 보쉬 순정제품만을 사용합니다. 그 래야만 배터리 과부하의 위험을 방지할 수 있습니다.

▶ 못이나 스크류 드라이버 같은 뾰족한 물체 또는 외부에서 오는 충격 등으로 인해 배터리가 손상될 수 있습니다. 내부 단락이 발생하여 배터리가 타거나 연기가 발생하고, 폭발 또는 과열될 수 있습니다.

## 제품 및 성능 소개

### 규정에 따른 사용

청소기는 건강에 유해하지 않은 건조한 물질을 흡입하는 용도로 개발되었습니다.

**⚠ 경고** 진공청소기 사용에 관한 충분한 정보를 얻은 후에만 사용하십시오. 세심한 지시를 받아 사용하면 오작동이나 상해를 입을 위험을 줄일 수 있습니다.

### 제품의 주요 명칭

제품의 주요 명칭에 표기되어 있는 번호는 진공청소기의 그림이 나와있는 면을 참고하십시오.

- 1 먼지통 잠금해제 버튼
- 2 전원 버튼
- 3 배터리 충전 상태 표시기
- 4 손잡이
- 5 배터리\*
- 6 통풍구
- 7 모터 하우징
- 8 먼지통
- 9 틈새흡입구
- 10 흡기구



- 11 배터리 슬롯
- 12 배터리 해제 버튼
- 13 흡
- 14 필터덮개
- 15 필터유닛

\*도면이나 설명서에 나와있는 액세서리는 표준 공급부품에 속하지 않습니다. 전체 액세서리는 저희 액세서리 프로그램을 참고하십시오.

**제품 사양**

| 건식 청소기 배터리           |     | GAS 12 V-LI   |  |
|----------------------|-----|---------------|--|
| 제품 번호                |     | 3 601 JE3 0.. |  |
| 용량                   | l   | 0.4           |  |
| 진공압력 (최대)            | hPa | 45            |  |
| 관류량 (최대)             | l/s | 15            |  |
| EPTA 공정 01:2014 에 따른 |     |               |  |
| 중량                   | kg  | 0.88 - 1.1    |  |
| 허용되는 주변 온도           |     |               |  |
| - 충전 시               | °C  | 0...+45       |  |
| - 작동 시* 및 보관 시       | °C  | - 20...+50    |  |
| 권장 배터리               |     | GBA 12V...0-  |  |
| 권장하는 충전기             |     | GAL 12.. CV   |  |

\* 온도가 0 °C 보다 낮은 경우 성능 제한 있음

기계 사양은 함께 공급되는 배터리를 사용한 경우입니다.

**조립**

**배터리 충전하기**

▶ **부품 안내서에 명시된 충전기만을 사용하십시오.** 진공청소기에 사용된 리튬이온 배터리에는 이 충전기들만을 사용할 수 있습니다.

**참고:** 배터리는 일부 충전되어 공급됩니다. 배터리의 성능을 완전하게 보장하기 위해서는 처음 사용하기 전에 배터리를 완전히 충전기에 충전하십시오.

리튬이온 배터리는 항상 충전할 수 있으며, 이로 인해 수명이 단축되지 않습니다. 충전을 하다 중간에 중지해도 배터리가 손상되지 않습니다.

리튬이온 배터리는 “전자 셀 보호 (ECP)” 기능이 있어 과도한 방전이 되지 않습니다. 배터리가 방전되면 안전 스위치가 작동하여 전동공구가 꺼지고 비트가 더 이상 움직이지 않습니다.

▶ **청소기가 자동으로 꺼진 후에는 커기 / 피기 전원 버튼을 누르지 마십시오.** 배터리가 손상될 수 있습니다.

충전 후 작동 시간이 현저하게 짧아지면 배터리의 수명이 다한 것이므로 배터리를 교환해야 합니다.

처리에 관련된 지시 사항을 준수하십시오.

**배터리 충전 상태 표시기**

배터리 충전 상태 표시기 3 의 3 개 녹색 LED 는 배터리 5 의 충전 상태를 나타냅니다. 충전 상태 표시기는 가동 후 3 초 동안만 점등됩니다.

| LED        | 용량   |
|------------|------|
| 연속등 3 x 녹색 | ≥2/3 |
| 연속등 2 x 녹색 | ≥1/3 |
| 연속등 1 x 녹색 | <1/3 |
| 점멸등 1 x 녹색 | 예비   |

전원을 켜는데도 LED 가 켜지지 않으면, 배터리에 문제가 있는 것이므로 교체해야 합니다.

**배터리 장착하기 / 탈착하기 (그림 A1 - A2 참조)**

▶ **배터리를 힘을 가하여 끼우지 마십시오.** 배터리는 청소기의 정확한 위치에 끼워지도록 설계되어 있습니다.

- 배터리 5 를 배터리 슬롯 11 에 닿을 때까지 밀어 넣으십시오.

- 배터리 5 를 빼려면 배터리에 있는 해제 버튼 12 를 눌러 배터리 슬롯 11 에서 꺼내십시오.

**틈새흡입구 조립하기 (그림 B 참조)**

▶ **청소기의 유지보수, 세척하기 전, 장치 설정, 액세서리 교환 또는 청소기 보관 전에 배터리를 제거하십시오.** 이는 청소기가 불필요하게 작동되거나 제품이 고장나는 것을 방지합니다.

틈새흡입구 9 를 먼지통 8 바로 옆에 연결할 수 있습니다.

- 틈새흡입구 9 를 그림에 표시된 바와 같이 먼지통 8 의 흡기구 10 아래쪽으로 끼우십시오.

**작동**

▶ **청소기의 유지보수, 세척하기 전, 장치 설정, 액세서리 교환 또는 청소기 보관 전에 배터리를 제거하십시오.** 이는 청소기가 불필요하게 작동되거나 제품이 고장나는 것을 방지합니다.

**기계 시동**

▶ **흡입하기 전에 필터유닛들이 단단히 조립되어 있는지 확인하십시오.**

▶ **작은 구멍이나 균열이 없는 온전한 필터를 사용하십시오.** 파손된 필터는 즉각 교체하시기 바랍니다.

**스위치 켜기 / 끄기**

에너지 손실을 방지하기 위해 진공소기를 사용할 때에만 켭니다.

- 진공청소기를 **켜려면** 전원 버튼 2 를 누릅니다.

- 청소기를 **끄려면** 다시 전원 버튼 2 를 누릅니다.

**보수 정비 및 서비스**

**보수 정비 및 유지**

▶ **청소기의 유지보수, 세척하기 전, 장치 설정, 액세서리 교환 또는 청소기 보관 전에 배터리를 제거하십시오.** 이는 청소기가 불필요하게 작동되거나 제품이 고장나는 것을 방지합니다.

## 18 | ภาษาไทย

### ▶ 안전하고 올바른 작업을 위하여 진공청소기와 그 환기구를 항상 깨끗이 유지하십시오.

- 가끔씩 젖은 천으로 청소기 케이스를 닦아줍니다.
- 접촉부가 지저분하면 이를 마른 천으로 닦아줍니다.

### 먼지통 청소 (그림 C1-C3 참조)

진공청소기의 성능을 최상으로 유지하기 위해서는, 사용할 때마다 먼지통 8을 청소하는 것이 좋습니다.

- 청소기를 약간 아래쪽으로 잡아 청소기를 열 때 먼지통에서 먼지가 떨어지지 않도록 하십시오.
  - 잠금해제 버튼 1을 누르고, 먼지통 8을 모터 하우징 7에서 꺼냅니다.
  - 모터 하우징 7의 홈 13을 잡고 필터덮개 14의 필터유닛 15을 당겨 빼내십시오.
  - 먼지통 8은 정해진 쓰레기 용기 위에서 떨어줍니다.
  - 필요한 경우, 청소기를 젖은 천으로 닦아줍니다.
  - 필요할 경우, 필터유닛을 청소해줍니다 ("필터유닛 청소하기", 18 쪽 참조).
  - 필터유닛 15를 필터덮개 14와 함께 다시 모터 하우징 7에 끼우십시오.
- 그런 후에 먼지통을 모터 하우징 아래에 끼워 넣는데, 맞물리는 소리가 나는지 확인합니다.

### 필터유닛 청소하기 (그림 D 참조)

필터유닛 15가 젖어 있는 상태로 세척해서는 안됩니다.

- 청소기를 약간 아래쪽으로 잡아 청소기를 열 때 먼지통에서 먼지가 떨어지지 않도록 하십시오.
- 잠금해제 버튼 1을 누르고, 먼지통 8을 모터 하우징 7에서 꺼냅니다.
- 모터 하우징 7의 홈 13을 잡고 필터덮개 14의 필터유닛 15를 당겨 빼내십시오.
- 필터 판을 부드러운 솔로 닦아냅니다.
- 역순서로 다시 조립합니다.

### 고장 시 확인 사항

흡입 성능이 부족한 경우 다음 사항을 확인해 보십시오:

- 먼지통 8이 꽉 찼습니까?
  - ▷ "먼지통 청소", 18 쪽 참조.
- 접이식 필터 에 먼지가 쌓여 있지 않습니까?
  - ▷ "필터유닛 청소하기", 18 쪽 참조.
- 배터리 용량이 충분하지 않습니까?
  - ▷ "배터리 충전하기", 17 쪽 참조.

청소기의 성능을 최상으로 유지하기 위해서는 먼지통 8을 정기적으로 비워주고 필터유닛 15를 청소해줍니다. 그래도 흡입 성능이 개선되지 않으면 진공청소기를 고객 서비스 센터에 보내야 합니다.

### 보쉬 AS 및 고객 상담

보쉬는 귀하의 제품 및 수리에 관한 문의를 받고 있습니다.

AS 센터 정보 및 제품에 대한 고객 상담은 하기 고객 콜센터 및 이메일 상담을 이용해주시기 바랍니다.

고객 콜센터: 080-955-0909

이메일 상담:

Bosch-pt.hotline@kr.bosch.com

문의나 대체 부품 주문 시에는 반드시 제품 네임 플레이트에 있는 10 자리의 부품번호를 알려 주십시오.

Bosch Korea, RBKR  
Mechanics and Electronics Ltd.  
PT/SAX-ASA  
298 Bojeong-dong Giheung-gu  
Yongin-si, Gyeonggi-do, 446-913  
Republic of Korea  
080-955-0909

### 운반

포함되어 있는 리튬이온 배터리는 위험물 관련 규정을 따라야 합니다. 사용자가 별도의 요구사항 없이 배터리를 직접 도로 상에서 운반할 수 있습니다.

제 3 자를 통해 운반할 경우 (항공 운송이나 운송 회사 등) 포장과 표기에 관한 특별한 요구 사항을 준수해야 합니다. 이 경우 발송 준비를 위해 위험물 전문가와 상담해야 합니다.

표면이 손상되지 않은 배터리만을 사용하십시오. 배터리의 접촉 단자면을 덮어 붙인 상태로 내부에서 움직이지 않도록 배터리를 포장하십시오.

또한 이와 관련한 국내 규정을 준수하십시오.

### 처리



진공청소기, 배터리, 부속품 및 포장은 재활용을 위해 분리배출합니다.

진공청소기와 배터리를 가정용 쓰레기에 버리지 마십시오!

### 충전용 배터리 / 배터리:



#### Li-Ion:

"운반" 내용에 나와 있는 주의 사항을 준수하십시오 (18 페이지).

위 사항은 사전 예고 없이 변경될 수도 있습니다.

## ภาษาไทย

### กฎระเบียบเพื่อความปลอดภัย



ต้องอ่านคำเตือนเพื่อความปลอดภัยและคำสั่งทั้งหมด การไม่ปฏิบัติตามคำเตือนและคำสั่งอาจเป็นสาเหตุให้ถูกไฟฟ้าดูด เกิดไฟไหม้ และ/หรือได้รับบาดเจ็บอย่างร้ายแรง

เก็บรักษาคำสั่งนี้ไว้ให้ดี

▶ เครื่องดูดฝุ่นนี้ไม่ได้ออกแบบมาเพื่อให้เด็กและบุคคลที่มีความบกพร่องทางกายภาพ ทางประสาทสัมผัส หรือทางจิต หรือขาดประสบการณ์และความรู้นำไปใช้งาน

เด็กอายุตั้งแต่ 8 ปีขึ้นไปและบุคคลที่มีความบกพร่องทางกายภาพ ทางประสาทสัมผัส หรือทางจิต หรือขาดประสบการณ์และความรู้สามารถใช้เครื่องดูดฝุ่นนี้ได้ หากบุคคลที่รับผิดชอบต่อความปลอดภัยของพวกเขาได้ควบคุมดูแลหรือให้คำแนะนำเกี่ยวกับการใช้เครื่องดูดฝุ่นนี้อย่างปลอดภัย และอธิบายให้เข้าใจถึงอันตรายที่เกี่ยวข้อง มิฉะนั้นจะมีอันตรายจากความผิดพลาดในการปฏิบัติงานและได้รับบาดเจ็บ

### ► ความปลอดภัยสำหรับเด็กๆ เมื่อใช้งาน ทำความสะอาด และบำรุงรักษา ทั้งนี้เพื่อให้มั่นใจได้ว่าเด็กๆ จะไม่เล่นเครื่องดูดฝุ่น

**!** คำเตือน อย่าดูดวัสดุที่เป็นอันตรายต่อสุขภาพ ต. ย. เช่น ฝุ่นจากไม้บิชหรือไม้โอ๊ก ฝุ่นอิฐก่อตึก แอสเบสทอส วัสดุเหล่านี้เป็นสารก่อมะเร็ง

อ่านกฎระเบียบ/กฎหมายเกี่ยวกับการจัดการกับฝุ่นที่เป็นอันตรายต่อสุขภาพที่บังคับใช้ในประเทศของท่านอย่างละเอียด

**!** คำเตือน ใช้เครื่องดูดฝุ่นเมื่อท่านเข้าใจฟังก์ชันทั้งหมดอย่างครบถ้วน และสามารถปฏิบัติงานได้อย่างไม่มีข้อจำกัด หรือเมื่อได้รับคำแนะนำที่เหมาะสมแล้วเท่านั้น การชี้แนะอย่างละเอียดถี่ถ้วนจะลดความผิดพลาดในการปฏิบัติงานและการบาดเจ็บ

**!** คำเตือน เครื่องดูดฝุ่นเหมาะสำหรับดูดวัตถุแห้งเท่านั้น หากของเหลวเข้าในเครื่องดูดฝุ่น จะเพิ่มความเสี่ยงจากการถูกไฟฟ้าดูด

**!** คำเตือน ต้องใช้และเก็บรักษาเครื่องดูดฝุ่นภายในอาคารเท่านั้น หากนำฝุ่นและความชื้นเข้าในส่วนบนของเครื่องดูดฝุ่น จะเพิ่มความเสี่ยงจากการถูกไฟฟ้าดูด

**!** คำเตือน อย่าดูดฝุ่นที่ร้อนหรือลวกใหม่ และอย่าใช้เครื่องทำงานในท้องที่อาจเกิดระเบิดได้ ฝุ่นสามารถจุดไฟหรือระเบิดได้

► ถอดแบตเตอรี่ออกก่อนบำรุงรักษาหรือทำความสะอาดเครื่องดูดฝุ่น ปรับตั้งค่าเครื่อง เปลี่ยนอุปกรณ์ประกอบ หรือเก็บเครื่องดูดฝุ่นเข้าที่ มาตรการเพื่อความปลอดภัยนี้จะป้องกันไม่ให้เครื่องดูดฝุ่นติดขึ้นโดยไม่ตั้งใจ

► จัดสถานที่ทำงานให้มีอากาศถ่ายเทที่ดี

► ส่งเครื่องดูดฝุ่นให้ช่างผู้เชี่ยวชาญซ่อมแซมเท่านั้น และใช้อะไหล่เปลี่ยนของแท้เท่านั้น ในลักษณะนี้ท่านจะแน่ใจได้ว่าเครื่องดูดฝุ่นอยู่ในสภาพที่ปลอดภัย

► อย่าทำความสะอาดเครื่องดูดฝุ่นโดยฉีดพ่นน้ำไปที่เครื่องโดยตรง การซึมผ่านของน้ำเข้าในส่วนบนของเครื่องดูดฝุ่นจะเพิ่มความเสี่ยงจากการถูกไฟฟ้าดูด

► ช่องดูดเข้าและช่องระบายอากาศต้องไม่ถูกปิดกั้น ปกคลุม หรืออุดตัน ในลักษณะนี้จะรับรองได้ว่ามอเตอร์สามารถทำงานได้ตามปกติ

► อย่าดูดวัตถุมีคม ต. ย. เช่น เศษแก้ว ตะปู หิน เข็ม หรือมีดโกน ด้วยเหตุนี้จะมีใจได้ว่าไส้กรองจะไม่เสียหาย

► อย่าเปิดแบตเตอรี่ด้วยตนเอง อันตรายจากการลัดวงจร ปกป้องแบตเตอรี่จากความร้อน ต. ย. เช่น จากแสงแดดจ้าที่ส่องอย่างต่อเนื่อง ไฟ น้ำ และความชื้น อันตรายจากการระเบิด



► เมื่อไม่ใช้แบตเตอรี่แพ็ค ให้เก็บแบตเตอรี่แพ็คไว้ห่างโลหะ วัตถุอื่นๆ เช่น คลิปหนีบกระดาษ เหรียญ กุญแจ ตะปู สกรู หรือโลหะวัตถุขนาดเล็กอื่นๆ ที่สามารถต่อขั้วหนึ่งไปยังอีกขั้วหนึ่งได้ การลัดวงจรของขั้วแบตเตอรี่อาจทำให้เกิดการไหม้หรือไฟลุกได้

► หากใช้งานอย่างไม่ถูกต้อง ของเหลวอาจไหลออกจากแบตเตอรี่ได้ หลีกเลี่ยงอย่าสัมผัสของเหลว หากสัมผัสโดยไม่ตั้งใจ ต้องใช้น้ำล้าง หากของเหลวเข้าตา ต้องขอความช่วยเหลือทางการแพทย์ด้วย ของเหลวที่ไหลออกจากแบตเตอรี่อาจเผาไหม้ผิวหนังหรือทำให้ระคายเคือง

► ในกรณีที่แบตเตอรี่ชาร์ตและใช้แบตเตอรี่อย่างไม่ถูกต้อง อาจมีไอระเหยออกมา ให้สูดอากาศบริสุทธิ์ และหาแพทย์ในกรณีเจ็บปวด ไอระเหยอาจทำให้ระบบหายใจระคายเคือง

► ชาร์จแบตเตอรี่ด้วยเครื่องชาร์ตที่บริษัทผู้ผลิตระบุไว้เท่านั้น เครื่องชาร์ตที่เหมาะสมสำหรับชาร์จแบตเตอรี่แพ็คประเภทหนึ่ง หากนำไปชาร์จแบตเตอรี่แพ็คประเภทอื่น อาจเกิดไฟไหม้ได้

► ใช้แบตเตอรี่เฉพาะกับผลิตภัณฑ์ของ บ็อสช ของท่านเท่านั้น ในลักษณะนี้ แบตเตอรี่จะได้รับการปกป้องจากการใช้งานเกินกำลังซึ่งเป็นอันตราย

► วัตถุที่แหลมคม ต. ย. เช่น ตะปูหรือไขควง หรือแรงกระทำภายนอก อาจทำให้แบตเตอรี่เสียหายได้ สิ่งเหล่านี้จะทำให้เกิดการลัดวงจรภายในและแบตเตอรี่ใหม่ มีควัน ระเบิด หรือร้อนเกินไป

### รายละเอียดผลิตภัณฑ์และข้อมูลจำเพาะ

#### ประโยชน์การใช้งานของเครื่อง

เครื่องดูดฝุ่นนี้ใช้สำหรับดูดฝุ่นและดูดวัสดุแห้งที่ไม่เป็นอันตราย

**!** คำเตือน ใช้เครื่องดูดฝุ่นเฉพาะเมื่อได้รับข้อมูลอย่างเพียงพอเกี่ยวกับการใช้งานของเครื่องดูดฝุ่น การได้รับคำแนะนำอย่างละเอียดถี่ถ้วนจะลดความผิดพลาดในการปฏิบัติงานและการบาดเจ็บ

## 20 | ภาษาไทย

### ส่วนประกอบผลิตภัณฑ์

ลำดับเลขของส่วนประกอบผลิตภัณฑ์อ้างอิงถึงส่วนประกอบของเครื่องดูดฝุ่นที่แสดงในหน้าภาพประกอบ

- 1 แป้นปลดล็อคสำหรับถังบรรจุฝุ่น
- 2 ปุ่มเปิด-ปิด
- 3 ไฟแสดงสถานะการชาร์จแบตเตอรี่
- 4 ตัวยึด
- 5 แบตเตอรี่แพ็ค\*
- 6 ช่องระบายอากาศ
- 7 ครอบมอเตอร์
- 8 ถังบรรจุฝุ่น
- 9 หัวดูดสำหรับชอกกุ่ม
- 10 ช่องดูดเข้า
- 11 ช่องแบตเตอรี่
- 12 แป้นปลดล็อคแบตเตอรี่
- 13 ส่วนเว้า
- 14 ปะเก็นไส้กรอง
- 15 ชุดไส้กรอง

\* อุปกรณ์ประกอบที่แสดงหรือระบุไม่รวมอยู่ในการจัดส่งมาตรฐาน กรุณาดูอุปกรณ์ประกอบทั้งหมดในรายการแสดงอุปกรณ์ประกอบของเรา

### ข้อมูลทางเทคนิค

| เครื่องดูดฝุ่นแห้ง-ไร้สาย                       | GAS 12 V-Li     |            |
|---|-----------------|------------|
| หมายเลขสินค้า                                   | 3 601 JE3 0..   |            |
| ปริมาณการบรรจุ                                  | ลิตร            | 0.4        |
| การดูดเข้า สูงสุด                               | hPa             | 45         |
| การไหลของอากาศ สูงสุด                           | ลิตร/<br>วินาที | 15         |
| น้ำหนักตามระเบียบการ-<br>EPTA-Procedure 01:2014 | กก.             | 0.88 - 1.1 |
| อุณหภูมิแวดล้อมที่อนุญาต                        |                 |            |
| - เมื่อชาร์จ                                    | °C              | 0...+45    |
| - เมื่อทำงาน* และเมื่อจัดเก็บ                   | °C              | -20...+50  |
| แบตเตอรี่ที่แนะนำ                               | GBA 12V...O-    |            |
| เครื่องชาร์จที่แนะนำ                            | GAL 12.. CV     |            |
| * ผลการทำงานน้อยลงที่อุณหภูมิ <0 °C             |                 |            |
| กำหนดข้อมูลทางเทคนิคด้วยแบตเตอรี่ที่จัดส่งมา    |                 |            |

### การประกอบ

#### การชาร์จแบตเตอรี่

▶ ใช้เฉพาะเครื่องชาร์จแบตเตอรี่ที่ลงรายการไว้ในหน้าอุปกรณ์ประกอบเท่านั้น เครื่องชาร์จแบตเตอรี่เหล่านี้เท่านั้นที่เข้าคู่กับแบตเตอรี่ลิเธียม ไอออน ที่ใช้ในเครื่องดูดฝุ่นของท่าน

**หมายเหตุ:** แบตเตอรี่ที่จัดส่งได้รับการชาร์จไฟไว้บ้างแล้วเพื่อให้แบตเตอรี่ทำงานได้เต็มประสิทธิภาพ ต้องชาร์จแบตเตอรี่ในเครื่องชาร์จแบตเตอรี่ให้เต็มก่อนใช้งานเครื่องมือไฟฟ้าของท่านเป็นครั้งแรก

แบตเตอรี่ลิเธียม ไอออน สามารถชาร์จได้ตลอดเวลาโดยอายุการใช้งานจะไม่ลดลง การชดจังหวะกระบวนการชาร์จไม่ทำให้แบตเตอรี่เสียหาย

"Electronic Cell Protection (ECP)" ป้องกันไม่ให้แบตเตอรี่ Li-ion จ่ายกระแสไฟฟ้ออกอีก เมื่อแบตเตอรี่หมดไฟ วงจรป้องกันจะดับสวิทช์เครื่อง เครื่องมือที่ใส่อยู่จะไม่หมุนต่อ

▶ **หลังจากเครื่องดูดฝุ่นปิดสวิทช์โดยอัตโนมัติแล้ว อย่ากดปุ่มเปิด-ปิดต่อไป** แบตเตอรี่อาจชาร์จได้

หลังจากชาร์จแบตเตอรี่แล้ว หากแบตเตอรี่มีช่วงเวลาทำงานสั้นมาก แสดงว่าแบตเตอรี่เสื่อมและต้องเปลี่ยนใหม่ อ่านและปฏิบัติตามข้อสั่งเกิดสำหรับการกำจัดขยะ

#### การแสดงสถานะการชาร์จแบตเตอรี่

ไฟแสดงสถานะการชาร์จแบตเตอรี่ LED 3 สีเขียวสามดวง แสดงสถานะการชาร์จของแบตเตอรี่แพ็ค 5 หลังจากสตาร์ทเครื่องไฟแสดงสถานะการชาร์จแบตเตอรี่จะส่องสว่างขึ้นเพียง 3 วินาที

| LED                            | ความจุ |
|--------------------------------|--------|
| ส่องสว่างต่อเนื่อง 3 x สีเขียว | ≥2/3   |
| ส่องสว่างต่อเนื่อง 2 x สีเขียว | ≥1/3   |
| ส่องสว่างต่อเนื่อง 1 x สีเขียว | <1/3   |
| ไฟกะพริบ 1 x สีเขียว           | ล้าระง |

หลังจากเปิดสวิทช์แล้ว ไฟ LED ไม่ติดขึ้น แสดงว่าแบตเตอรี่บกพร่องและต้องเปลี่ยนใหม่

#### การใส่/ถอดแบตเตอรี่ (ดูภาพประกอบ A1 – A2)

▶ **เมื่อใส่แบตเตอรี่แพ็ค อย่ายึดกำลังแรง**

แบตเตอรี่แพ็คถูกออกแบบมาเพื่อให้สามารถเสียบเข้าในตำแหน่งที่ถูกต้องในเครื่องดูดฝุ่นเท่านั้น

- เลือกแบตเตอรี่แพ็ค 5 เข้าในช่องแบตเตอรี่ 11 จนสุด
- เมื่อต้องการถอดแบตเตอรี่แพ็ค 5 ให้กดแป้นปลดล็อค 12 และดึงแบตเตอรี่แพ็คออกจากช่องแบตเตอรี่ 11

#### การประกอบหัวดูดสำหรับชอกกุ่ม (ดูภาพประกอบ B)

▶ **ถอดแบตเตอรี่แพ็คออกก่อนบำรุงรักษาหรือทำความสะอาดเครื่องดูดฝุ่น ปรับตั้งค่าเครื่อง เปลี่ยนอุปกรณ์ประกอบ หรือเก็บเครื่องดูดฝุ่นเข้าที่** มาตรการเพื่อความปลอดภัยนี้จะป้องกันไม่ให้เครื่องดูดฝุ่นติดขึ้นโดยไม่ตั้งใจ

ท่านสามารถเสียบหัวดูดสำหรับชอกกุ่ม 9 เข้ากับช่องเก็บฝุ่น 8 โดยตรง

- เสียบหัวดูดสำหรับชอกกุ่ม 9 เข้าในช่องดูดเข้า 10 ที่ช่องเก็บฝุ่น 8 ให้แน่นโดยให้เครื่องหมายดังแสดงในรูปชี้ลงด้านล่าง

#### การปฏิบัติงาน

▶ **ถอดแบตเตอรี่แพ็คออกก่อนบำรุงรักษาหรือทำความสะอาดเครื่องดูดฝุ่น ปรับตั้งค่าเครื่อง เปลี่ยนอุปกรณ์ประกอบ หรือเก็บเครื่องดูดฝุ่นเข้าที่** มาตรการเพื่อความปลอดภัยนี้จะป้องกันไม่ให้เครื่องดูดฝุ่นติดขึ้นโดยไม่ตั้งใจ

**เริ่มต้นปฏิบัติงาน**

- ▶ **ก่อนดูดฝุ่น** ต้องตรวจสอบให้แน่ใจว่าได้ติดตั้งชุดไส้กรองไว้อย่างแน่นหนาแล้ว
- ▶ **ใช้เฉพาะ** ไส้กรองที่**ไม่ชำรุด** (ไม่มีรอยแตก ไม่มีรู รูลา) เปลี่ยนไส้กรองที่ชำรุดในทันที

**การเปิดและปิดเครื่อง**

เพื่อประหยัดพลังงาน ให้เปิดสวิตช์เครื่องดูดฝุ่นเฉพาะเมื่อใช้งานเครื่องเท่านั้น

- เปิดเครื่องดูดฝุ่นโดยกดปุ่มเปิด-ปิด 2
- ปิดเครื่องดูดฝุ่นโดยกดปุ่มเปิด-ปิด 2 อีกครั้ง

**การบำรุงรักษาและการบริการ****การบำรุงรักษาและการทำความสะอาด**

- ▶ **ถอดแบตเตอรี่** แพ็คออกก่อนบำรุงรักษาหรือทำความสะอาดเครื่องดูดฝุ่น ปรับตั้งค่าเครื่อง เปลี่ยนอุปกรณ์ประกอบ หรือเก็บเครื่องดูดฝุ่นเข้าที่ มาตรการเพื่อความปลอดภัยนี้จะป้องกันไม่ให้เครื่องดูดฝุ่นติดขึ้นโดยไม่ตั้งใจ
- ▶ **เพื่อให้เครื่องดูดฝุ่นทำงานได้อย่างถูกต้องและปลอดภัย** ต้องรักษาเครื่องดูดฝุ่นและช่องระบายอากาศให้สะอาดอยู่เสมอ
  - ทำความสะอาดครอบเครื่องดูดฝุ่นด้วยผ้าชุบน้ำหมาดๆ เป็นครั้งคราว
  - ทำความสะอาดจุดสัมผัสการชาร์จที่สกปรกด้วยผ้าแห้ง

**การทำความสะอาดถังบรรจุฝุ่น (ดูภาพประกอบ C1–C3)**

ทำความสะอาดถังบรรจุฝุ่น 8 หลังใช้งานทุกครั้ง ทั้งนี้เพื่อให้เครื่องดูดฝุ่นยังคงทำงานอย่างมีประสิทธิภาพที่ดีที่สุด

- จับเครื่องดูดฝุ่นหันลงด้านล่างเล็กน้อย เพื่อฝุ่นจะได้ไม่หล่นออกจากช่องเก็บฝุ่นเมื่อเปิดเครื่องดูดฝุ่น
  - กดปุ่มปลดล็อก 1 และถอดถังบรรจุฝุ่น 8 ออกจากครอบมอเตอร์ 7
  - จับตรงส่วนเว้า 13 ที่ครอบมอเตอร์ 7 และดึงชุดไส้กรอง 15 ตรงปะเก็นไส้กรอง 14 ออกจากครอบมอเตอร์
  - ถ่ายผงในถังบรรจุฝุ่น 8 ลงในถังขยะที่เหมาะสม
  - ทำความสะอาดถังบรรจุฝุ่นด้วยผ้าชุบน้ำหมาดๆ หากจำเป็น
  - ทำความสะอาดชุดไส้กรอง หากจำเป็น (ดู "การทำความสะอาดชุดไส้กรอง" หน้า 21)
  - ใส่ชุดไส้กรอง 15 พร้อมปะเก็นไส้กรอง 14 กลับไปยังครอบมอเตอร์ 7 อีกครั้ง
- หลังจากนั้นให้เกี่ยวถังบรรจุฝุ่นตรงด้านล่างเข้าในครอบมอเตอร์ และกดถังบรรจุฝุ่นเล็กน้อยจนได้ยินเสียงขบเข้าล็อก

**การทำความสะอาดชุดไส้กรอง (ดูภาพประกอบ D)**

อย่าทำความสะอาดชุดไส้กรอง 15 โดยทำให้เปียกอย่างเด็ดขาด

- จับเครื่องดูดฝุ่นหันลงด้านล่างเล็กน้อย เพื่อฝุ่นจะได้ไม่หล่นออกจากช่องเก็บฝุ่นเมื่อเปิดเครื่องดูดฝุ่น
- กดปุ่มปลดล็อก 1 และถอดถังบรรจุฝุ่น 8 ออกจากครอบมอเตอร์ 7

- จับตรงส่วนเว้า 13 ที่ครอบมอเตอร์ 7 และดึงชุดไส้กรอง 15 ตรงปะเก็นไส้กรอง 14 ออกจากครอบมอเตอร์
- แปรงครีบของไส้กรองแบบจับด้วยแปรงขนนุ่ม
- ประกอบเข้าตามลำดับย้อนหลัง

**การทำงานผิดปกติ**

หากสมรรถภาพการดูดตกลง ให้ตรวจสอบดังต่อไปนี้:

- ถังบรรจุฝุ่น 8 เต็มหรือไม่
  - ▶ ดู "การทำความสะอาดถังบรรจุฝุ่น" หน้า 21
- ไส้กรองแบบจับ อุดตันไปด้วยฝุ่นหรือไม่?
  - ▶ ดู "การทำความสะอาดชุดไส้กรอง" หน้า 21.
- แมตเตอร์อ่อนเกินไปหรือไม่
  - ▶ ดู "การชาร์จแบตเตอรี่" หน้า 20.

การถ่ายถังบรรจุฝุ่น 8 และการทำความสะอาดชุดไส้กรอง 15 เป็นประจำทำให้สามารถดูดฝุ่นได้อย่างมีประสิทธิภาพที่สุด

หากหลังจากนั้นประสิทธิภาพการดูดไม่ดีขึ้น ให้นำเครื่องดูดฝุ่นไปที่ศูนย์บริการลูกค้า

**การบริการหลังการขายและคำแนะนำการใช้งาน**

ศูนย์บริการหลังการขายของเรายินดีตอบคำถามเกี่ยวกับการบำรุงรักษาและการซ่อมแซมผลิตภัณฑ์ของท่าน รวมทั้งชิ้นส่วนอะไหล่ ภาพแยกชิ้นประกอบและข้อมูลเกี่ยวกับชิ้นส่วนอะไหล่ยังสามารถดูได้ใน:

**www.bosch-pt.com**

ทีมงานให้คำแนะนำการใช้งานของ บ็อบบ์ ยินดีตอบคำถามเกี่ยวกับผลิตภัณฑ์ของเราและอุปกรณ์ประกอบของผลิตภัณฑ์ เมื่อต้องการสอบถามและสั่งซื้ออะไหล่ กรุณาแจ้งหมายเลขสินค้า 10 หลังบนแผ่นป้ายรุ่นของผลิตภัณฑ์ทุกครั้ง ในกรณีประกัน ซ่อมแซม หรือซื้อชิ้นส่วนมาเปลี่ยน กรุณาติดต่อ ผู้ขายที่ได้รับแต่งตั้งเท่านั้น

**ไทย**

บริษัท โรเบิร์ต บ็อบบ์ จำกัด  
ชั้น 11 ตึกลิเบอร์ตี สแควร์  
287 ถนนสีลม บางรัก  
กรุงเทพฯ 10500  
โทรศัพท์ 02 6393111  
โทรสาร 02 2384783  
บริษัท โรเบิร์ต บ็อบบ์ จำกัด ตู้ ปณ. 2054  
กรุงเทพฯ 10501 ประเทศไทย  
www.bosch.co.th

ศูนย์บริการซ่อมและฝึกอบรม บ็อบบ์  
อาคาร ลาซาลทาวเวอร์ ชั้น G ห้องเลขที่ 2  
บ้านเลขที่ 10/11 หมู่ 16  
ถนนศรีนครินทร์  
ตำบลบางแก้ว อำเภอบางพลี  
จังหวัดสมุทรปราการ 10540  
ประเทศไทย  
โทรศัพท์ 02 7587555  
โทรสาร 02 7587525

## 22 | Bahasa Indonesia

**การขนส่ง**

แบตเตอรี่ลิเธียม ไอออน ที่บรรจุอยู่ภายใต้ข้อกำหนดแห่งกฎหมายสินค้าอันตราย ผู้ใช้สามารถขนส่งแบตเตอรี่โดยทางถนนโดยไม่มีข้อบังคับอื่น

หากขนส่งโดยบุคคลที่สาม (เช่น: การขนส่งทางอากาศ หรือตัวแทนขนส่งสินค้า) ต้องปฏิบัติตามข้อกำหนดพิเศษเกี่ยวกับการบรรจุภัณฑ์และการติดฉลาก ในการจัดเตรียมสิ่งของที่จะจัดส่ง ต้องปรึกษาผู้เชี่ยวชาญสำหรับวัตถุนั้น

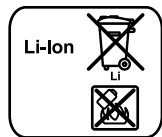
ส่งแบตเตอรี่เมื่อตัวหุ้มไม่ชำรุดเสียหายเท่านั้น ใช้แถบกาวยันปิดหน้าสัมผัสที่เปิดอยู่ และนำแบตเตอรี่ใส่กล่องบรรจุโดยไม่ให้เคลื่อนไปมาในกล่องได้นอกจากนี้กรุณาปฏิบัติตามกฎระเบียบของประเทศซึ่งอาจมีรายละเอียดเพิ่มเติม

**การกำจัดขยะ**

เครื่องดูดฝุ่น แบตเตอรี่แพ็ค อุปกรณ์ประกอบ และที่บด ต้องนำไปแยกประเภทวัสดุเพื่อนำกลับมาใช้ใหม่โดยไม่ทำลายสภาพแวดล้อม

อย่าทิ้งเครื่องดูดฝุ่น และแบตเตอรี่แพ็ค/แบตเตอรี่ ลงในขยะครัวเรือน!

**แบตเตอรี่แพ็ค/แบตเตอรี่:**



**Li-ion:**

กรุณาปฏิบัติตามคำสั่งในบท "การขนส่ง" หน้า 22

ขอสงวนสิทธิ์ในการเปลี่ยนแปลงโดยไม่ต้องแจ้งล่วงหน้า

**Bahasa Indonesia****Petunjuk-Petunjuk untuk Keselamatan Kerja**

Bacalah semua petunjuk-petunjuk untuk keselamatan kerja dan petunjuk-petunjuk untuk penggunaan. Kesalahan dalam menjalankan petunjuk-petunjuk untuk keselamatan kerja dan petunjuk-petunjuk untuk penggunaan dapat mengakibatkan kontak listrik, kebakaran dan/atau luka-luka yang berat.

Simpanlah semua petunjuk-petunjuk ini dengan baik.

► **Mesin pengisap ini tidak untuk digunakan oleh anak-anak dan orang dengan cacat fisik, indera atau mental atau kurang berpengalaman atau pengetahuan. Mesin pengisap ini dapat digunakan oleh anak-anak yang usianya di atas 8 tahun dan orang-orang dengan kemampuan fisik,**

**indera atau mentalnya lemah atau kurang berpengalaman atau pengetahuan, jika mereka diawasi oleh orang yang bertanggung jawab atas keselamatan mereka atau diberi pengarahan mengenai cara penggunaan mesin pengisap yang aman dan mereka dapat mengerti tentang bahaya yang mungkin terjadi. Jika tidak, dapat terjadi bahaya dari kesalahan pengoperasian dan cedera.**

► **Awasi anak-anak Anda saat penggunaan, pembersihan dan pemeliharaan. Sehingga dipastikan bahwa anak-anak tidak bermain dengan pengisap.**

**PERHATIKANLAH** Janganlah menggunakan mesin untuk menghisap bahan-bahan yang berbahaya bagi kesehatan, misalnya debu kayu *fagus silvatica* atau kayu *quercus*, debu batubatuan, asbes. Bahan-bahan ini dianggap bisa menyebabkan penyakit kanker.

Carilah informasi tentang peraturan/hukum yang berlaku mengenai penanganan debu berbahaya di negara Anda.

**PERHATIKANLAH** Gunakanlah mesin penghisap hanya jika Anda mengenal dan menguasai semua fungsinya atau telah mendapatkan petunjuk yang rinci tentang penggunaannya. Mengikuti instruksi dengan hati-hati dapat mengurangi kesalahan pengoperasian dan cedera.

**PERHATIKANLAH** Mesin penghisap hanya sesuai untuk menghisap material kering. Masuknya cairan ke dalam mesin penghisap dapat meningkatkan risiko sengatan listrik.

**PERHATIKANLAH** Hanya gunakan dan simpan mesin penghisap di dalam ruangan. Kelembapan dan masuknya air hujan pada bagian atas mesin penghisap dapat meningkatkan risiko sengatan listrik.

**PERHATIKANLAH** Jangan menghisap debu yang panas atau terbakar, serta tidak diperkenankan untuk mengoperasikan mesin penghisap di ruangan dengan bahaya ledakan. Debu dapat terbakar atau meledak.

► **Lepaskan baterai sebelum Anda menyervis atau membersihkan, melakukan penyetulan pada perangkat, mengganti bagian aksesori atau menyimpan mesin penghisap. Tindakan pencegahan ini**

dilakukan untuk menghindari penyalakan mesin penghisap yang tidak diinginkan.

- ▶ **Upayakanlah supaya ada pertukaran udara di tempat kerja.**
- ▶ **Biarkan mesin penghisap direparasikan hanya oleh orang-orang ahli yang berpengalaman dan hanya dengan menggunakan suku cadang yang asli bermerek Bosch.** Dengan demikian keselamatan kerja dengan mesin penghisap selalu terjamin.
- ▶ **Janganlah membersihkan mesin penghisap dengan cara menyemprotkan air padanya.** Air yang masuk ke dalam kepala pesawat menambah risiko terjadinya kontak listrik.
- ▶ **Lubang penghisapan dan celah ventilasi tidak boleh tertutup, terhalang atau tersumbat.** Tindakan ini menjamin pengoperasian mesin berfungsi dengan baik.
- ▶ **Jangan menghisap benda dengan ujung yang tajam misalnya pecahan kaca, paku, batu, jarum atau silet.** Hal ini untuk memastikan bahwa, filter tidak akan rusak.
- ▶ **Janganlah membuka baterai.** Ada bahaya terjadinya korsleting.



**Lindungilah baterai terhadap panas, misalnya juga terhadap penyinaran matahari yang lama, api, air dan kelembaban.** Ada bahaya terjadinya ledakan.

- ▶ **Jika baterai tidak digunakan, jauhkan baterai dari klip untuk kertas, uang logam, kunci, paku, sekrup atau benda-benda kecil dari logam lainnya, yang dapat menjembatani kontak-kontak.** Korsleting antara kontak-kontak baterai dapat mengakibatkan kebakaran atau api.
- ▶ **Jika alat digunakan salah, bisa jadi ada cairan yang merembes ke luar dari baterai. Berhati-hatilah, hindarkan kontak dengan cairan ini. Jika Anda terkena cairan ini tanpa disengaja, cucilah dengan air. Jika mata terkena cairan, cuci dengan air, kemudian mintakan bantuan seorang dokter.** Cairan baterai yang merembes ke luar bisa mengganggu kulit atau mengakibatkan kulit terbakar.
- ▶ **Jika baterai rusak dan jika baterai digunakan salah, baterai bisa mengeluarkan uap. Biarkan udara segar mengalir masuk dan jika Anda merasa tidak enak badan, pergilah ke dokter.** Uap tersebut bisa mengganggu saluran pernafasan.
- ▶ **Isikan baterai hanya dalam alat pencas baterai-alat pencas baterai yang dianjurkan oleh produsen.** Jika suatu alat pencas baterai yang cocok untuk mengisi satu macam baterai tertentu, digunakan untuk mengisi baterai-baterai lainnya, ada bahaya terjadinya kebakaran.
- ▶ **Gunakan baterai yang sesuai produk Bosch Anda.** Hanya dengan cara ini, baterai dapat dilindungi dari kelebihan muatan.
- ▶ **Baterai dapat rusak akibat benda berujung runcing seperti paku atau obeng atau akibat tekanan yang kuat dari luar.** Hal ini dapat menyebabkan terjading hubungan singkat internal dan baterai dapat terbakar, berasap, meledak, atau mengalami panas berlebih.

## Penjelasan tentang produk dan daya

### Penggunaan alat

Mesin penghisap dirancang untuk menghisap dan mengeluarkan material kering dan yang tidak berbahaya bagi kesehatan.

**PERHATIKANLAH** Anda hanya boleh mengoperasikan mesin penghisap, jika sebelumnya telah mendapat penjelasan yang rinci tentang cara penggunaannya. Penjelasan yang rinci mengurangi pengoperasian yang keliru dan terjadinya luka-luka.

### Bagian-bagian pada gambar

Nomor-nomor dari bagian-bagian sesuai dengan nomor-nomor pada gambar mesin penghisap pada halaman bergambar.

- 1 Tombol pelepas tempat penampung debu
- 2 Tombol untuk menghidupkan dan mematikan
- 3 Petanda keberisian baterai
- 4 Pegangan
- 5 Baterai\*
- 6 Lubang ventilasi
- 7 Rumah mesin
- 8 Tempat penampung debu
- 9 Nosel celah
- 10 Lubang Penghisapan
- 11 Kotak baterai
- 12 Tombol pelepas baterai
- 13 Lubang
- 14 Seal filter
- 15 Unit filter

\*Aksesori yang ada pada gambar atau yang dijelaskan, tidak termasuk pasokan standar. Semua aksesori yang ada bisa Anda lihat dalam program aksesori Bosch.

### Data teknis

| Baterai mesin penghisap-kering                   |     | GAS 12 V-LI   |
|--|-----|---------------|
| Nomor model                                      |     | 3 601 JE3 0.. |
| Volume penampung                                 | l   | 0.4           |
| Tekanan pakum maks.                              | hPa | 45            |
| Debit maks.                                      | l/s | 15            |
| Berat sesuai dengan EPTA-Procedure 01:2014       | kg  | 0.88 - 1.1    |
| Suhu sekitar yang diizinkan                      |     |               |
| – saat melakukan pengisian                       | °C  | 0... +45      |
| – selama pengoperasian* dan selama penyimpanan   | °C  | -20... +50    |
| Baterai yang disarankan                          |     | GBA 12V...0.. |
| Pengisi daya baterai yang direkomendasikan       |     | GAL 12.. CV   |
| * daya dibatasi pada suhu < 0 °C                 |     |               |
| Data teknis diukur dengan aki yang ikut dipasok. |     |               |

## Cara memasang

### Cara mengisi baterai

- ▶ **Gunakan hanya charger baterai yang tercantum pada halaman aksesoris.** Charger tersebut hanya dirancang untuk mesin penghisap Anda yang menggunakan baterai Li-Ion.

**Petunjuk:** Baterai dipasang dalam keadaan diisi sebagian. Untuk menjamin daya penuh dari baterai, sebelum penggunaannya untuk pertama kalinya, isikanlah baterai sampai penuh sama sekali di dalam alat pencas baterai.

Baterai ion-Li bisa diisi sewaktu-waktu, tanpa mengurangi daya tahannya. Baterai tidak menjadi rusak jika pengisiannya dihentikan untuk sementara waktu.

Baterai ion-Li dilindungi terhadap pengosongan sama sekali oleh „Electronic Cell Protection (ECP)“. Jika baterai kosong perkasas listrik dimatikan oleh pengaman: alat kerja berhenti memutar.

- ▶ **Setelah mesin penghisap mati otomatis, jangan tekan switch on/off untuk melanjutkan.** Baterai bisa rusak.

Jika setelah diisi waktu pemakaian baterai semakin pendek, ini petanda bahwa baterai sudah aus dan harus diganti.

Perhatikanlah petunjuk-petunjuk untuk membuang.

### Petanda keberisian baterai

Ketiga LED berwarna hijau pada indikator level baterai **3** menunjukkan status pengisian baterai **5**. Indikator level baterai hanya menyala selama 3 detik setelah memulai.

| LED                            | Kapasitas  |
|--------------------------------|------------|
| Lampu menetap 3 x hijau        | $\geq 2/3$ |
| Lampu menetap 2 x hijau        | $\geq 1/3$ |
| Lampu menetap 1 x hijau        | $< 1/3$    |
| Lampu berkedip-kedip 1 x hijau | cadangan   |

Apabila LED tidak menyala setelah alat dinyalakan, maka baterai tersebut rusak dan harus diganti.

### Memasang dan melepaskan baterai (lihat gambar-gambar A1 – A2)

- ▶ **Jangan memasukkan baterai secara paksa.** Baterai ini dirancang sedemikian rupa sehingga hanya dapat dimasukkan dengan posisi yang benar ke dalam mesin penghisap.
- Dorong baterai **5** hingga berhenti pada slot baterai **11**.
- Untuk mengeluarkan baterai **5**, tekan tombol-tombol pelepas baterai **12** pada baterai dan tarik baterai keluar dari kotak baterai **11**.

### Memasang nosel celah (lihat gambar B)

- ▶ **Lepaskan baterai sebelum Anda menyervis atau membersihkan, melakukan penyetelan pada perangkat, mengganti bagian aksesoris atau menyimpan mesin penghisap.** Tindakan pencegahan ini dilakukan untuk menghindari penyalan mesin penghisap yang tidak diinginkan.

Nosel celah **9** dapat dipasang langsung bersamaan dengan penampung debu **8**.

- Pasang nosel celah **9** dengan tanda yang ditunjukkan pada gambar ke arah bawah lubang penghisapan **10** pada tempat penampung debu **8**.

## Penggunaan

- ▶ **Lepaskan baterai sebelum Anda menyervis atau membersihkan, melakukan penyetelan pada perangkat, mengganti bagian aksesoris atau menyimpan mesin penghisap.** Tindakan pencegahan ini dilakukan untuk menghindari penyalan mesin penghisap yang tidak diinginkan.

### Cara penggunaan

- ▶ **Pastikan unit filter terpasang sebelum melakukan penghisapan.**
- ▶ **Hanya gunakan filter yang tidak rusak (tidak ada retak, lubang kecil, dll). Segera ganti filter yang rusak.**

### Menghidupkan/mematikan

Untuk menghemat daya, hanya nyalakan mesin penghisap ketika Anda gunakan.

- Untuk **menyalakan** mesin penghisap, tekan tombol on/off **2**.
- Untuk **mematikan** mesin penghisap, tekan tombol on/off **2**.

## Rawatan dan servis

### Rawatan dan kebersihan

- ▶ **Lepaskan baterai sebelum Anda menyervis atau membersihkan, melakukan penyetelan pada perangkat, mengganti bagian aksesoris atau menyimpan mesin penghisap.** Tindakan pencegahan ini dilakukan untuk menghindari penyalan mesin penghisap yang tidak diinginkan.
- ▶ **Jagalah supaya mesin penghisap dan lubang ventilasi selalu bersih, supaya mesin penghisap bisa digunakan dengan baik dan keselamatan kerja terjamin.**
- Bersihkan bagian luar mesin penghisap secara rutin dengan kain lembap.
- Bersihkan kontak pengisian yang kotor dengan kain kering.

### Membersihkan tempat penampung debu (lihat gambar-gambar C1 – C3)

Bersihkan tempat penampung debu **8** setelah digunakan untuk mendapatkan kinerja optimal dari penghisap debu.

- Peganglah mesin penghisap sedikit turun, sehingga debu tidak dapat jatuh dari tempat penampung debu pada saat membuka mesin penghisap.
- Tekan tombol pelepas **1** dan lepaskan tempat penampung debu **8** dari rumah mesin **7**.
- Masukkan tangan Anda ke dalam lubang **13** pada rumah mesin **7** dan keluarkan unit filter **15** pada seal filter **14** dari rumah mesin.
- Keluarkan kotoran dari tempat penampung debu **8** di atas penampung kotoran yang sesuai.



- Jika perlu, bersihkan tempat penampung debu dengan kain lembap.  
Jika perlu, bersihkan juga unit filter (lihat „Membersihkan unit filter“, halaman 25).
- Pasang kembali unit filter **15** dengan seal filter **14** ke dalam rumah mesin **7**.  
Pasang tempat penampung debu di bawah ruang mesin dan biarkan tertekan perlahan hingga terdengar suara terkunci.

#### Membersihkan unit filter (lihat gambar D)

Unit filter **15** tidak boleh dibersihkan dengan air.

- Peganglah mesin penghisap sedikit turun, sehingga debu tidak dapat jatuh dari tempat penampung debu pada saat membuka mesin penghisap.
- Tekan tombol pelepas **1** dan lepaskan tempat penampung debu **8** dari rumah mesin **7**.
- Masukkan tangan Anda ke dalam lubang **13** pada rumah mesin **7** dan keluarkan unit filter **15** pada seal filter **14** dari rumah mesin.
- Sikat bilah lipit filter dengan sikat yang lembut.
- Untuk merakit, lakukan langkah di atas dengan urutan terbalik.

#### Gangguan pada mesin

Jika daya penghisapan berkurang, periksalah:

- Apakah tempat penampung debu **8** penuh?  
▷ Lihat „Membersihkan tempat penampung debu“, halaman 24.
- Apakah lipit filter tersumbat oleh debu?  
▷ Lihat „Membersihkan unit filter“, Halaman 25.
- Apakah kapasitas baterai terlalu lemah?  
▷ Lihat „Cara mengisi baterai“, Halaman 24.

Kosongkan tempat penampung debu **8** secara rutin dan bersihkan unit filter **15** agar daya hisap tetap optimal.

Jika daya penghisapan setelah itu tetap kurang, mesin penghisap harus dikirimkan ke satu Service Center Bosch.

#### Layanan pasca beli dan konseling terkait pengoperasian

Layanan pasca beli Bosch menjawab semua pertanyaan Anda terkait reparasi dan maintenance serta suku cadang produk ini. Gambar tiga dimensi dan informasi terkait suku cadang dapat Anda lihat di:

[www.bosch-pt.com](http://www.bosch-pt.com)

Tim konseling pengoperasian dari Bosch dengan senang hati membantu Anda, jika Anda hendak bertanya tentang produk-produk kami dan aksesorisnya.

Jika Anda hendak menanyakan sesuatu atau memesan suku cadang, sebutkan selalu nomor model yang terdiri dari 10 angka dan tercantum pada label tipe produk.

#### Indonesia

PT Robert Bosch  
Palma Tower 10<sup>th</sup> Floor  
Jl. RA Kartini Il-S Kaveling 6 Sek II  
Pondok Pinang, Kebayoran Lama  
Jakarta Selatan 12310  
Indonesia  
Tel.: (021) 3005 5800  
Fax: (021) 3005 5801  
E-Mail: [boschpowertools@id.bosch.com](mailto:boschpowertools@id.bosch.com)  
[www.bosch-pt.co.id](http://www.bosch-pt.co.id)

#### Transpor

Pada baterai-baterai ion-Li yang digunakan diterapkan persyaratan terkait peraturan-peraturan tentang bahan-bahan yang berbahaya. Baterai-baterai dapat diangkat oleh penggunaannya di jalanan tanpa harus memenuhi syarat-syarat tertentu.

Pada pengiriman oleh pihak ketiga (misalnya transportasi dengan pesawat udara atau perusahaan ekspedisi) harus ditaati syarat-syarat terkait kemasan dan pemberian tanda.

Dalam hal ini, untuk mempersiapkan transportasi harus diminta dukungan seorang ahli bahan-bahan berbahaya.

Kirimkan baterai hanya jika rumahnya tidak rusak. Kontak-kontak yang terbuka harus ditutupi dengan pita perekat dan kemas baterai sedemikian, sehingga baterai tidak bergerak-gerak di dalam kemasan.

Taatilah peraturan-peraturan nasional lainnya yang mungkin lebih rinci yang berlaku di negara Anda.

#### Cara membuang



Mesin penghisap, baterai, aksesoris dan bungkus kemasan harus ramah lingkungan dan dapat didaur ulang.

Jangan membuang mesin penghisap dan baterai bersama dengan sampah rumah tangga!

#### Baterai isi ulang/Baterai:



#### Ion-Li:

Perhatikanlah petunjuk-petunjuk dalam bab „Transpor“, halaman 25.

Perubahan dapat terjadi tanpa pemberitahuan sebelumnya.

## Tiếng Việt

### Các Nguyên Tắc An Toàn



**Đọc kỹ mọi cảnh báo an toàn và mọi hướng dẫn.** Không tuân thủ mọi cảnh báo và hướng dẫn được liệt kê dưới đây có thể bị điện giật, gây cháy và/hay bị thương tật nghiêm trọng.

**Hãy giữ lại các tài liệu hướng dẫn này.**

## 26 | Tiếng Việt

► **Máy hút bụi này không dành cho trẻ em và những người có khả năng hạn chế về thể chất, cảm giác và tinh thần hoặc thiếu kinh nghiệm và nhận thức.**

**Trẻ em từ 8 tuổi trở lên và những người có khả năng hạn chế về thể chất, cảm giác và tinh thần hoặc thiếu kinh nghiệm và nhận thức có thể dùng máy hút bụi này dưới sự giám sát của người chịu trách nhiệm đảm bảo an toàn cho họ hoặc dưới sự hướng dẫn của người đã quen thuộc với việc sử dụng thiết bị này để biết những nguy hiểm liên quan đến việc sử dụng máy. Nếu không sẽ có nguy cơ sai sót khi vận hành và gây thương tích.**

► **Hãy giám sát trẻ nhỏ khi sử dụng, làm sạch và bảo dưỡng.** Do đó phải đảm bảo không cho trẻ em chơi với máy hút.

**⚠ CẢNH BÁO** Không được hút loại vật liệu gây nguy hại đến sức khỏe con người, vd. **mạt cưa của gỗ sồi hay dẫu, bụi của công trình nề, amiăng.** Các loại vật liệu này được xem là tác nhân gây ung thư.

**Bạn hãy thông tin về các quy định / luật hiện hành liên quan đến bụi gây hại đến sức khỏe tại đất nước của bạn.**

**⚠ CẢNH BÁO** **Hãy chỉ sử dụng máy hút bụi, nếu bạn có thể đánh giá tất cả các chức năng và có thể thực hiện không có hạn chế hoặc được hướng dẫn phù hợp.** Một bản hướng dẫn chi tiết sẽ giúp làm giảm sai sót khi vận hành và tránh bị thương tích.

**⚠ CẢNH BÁO** **Máy hút bụi chỉ thích hợp để hút các chất khô.** Việc sử dụng các chất lỏng làm tăng nguy cơ bị điện giật.

**⚠ Lưu ý** **Máy hút bụi chỉ được sử dụng và bảo quản trong nhà.** Nếu nước mưa hoặc độ ẩm thấm vào phần trên của máy hút bụi sẽ làm tăng nguy cơ bị điện giật.

**⚠ CẢNH BÁO** **Không hút bụi nóng hoặc dễ cháy và không hút bụi vào khu vực có nguy cơ gây cháy nổ.** Bụi có thể tự bắt cháy hoặc phát nổ.

► **Hãy tháo pin, trước khi bạn bảo dưỡng hoặc làm sạch, điều chỉnh thiết bị, thay phụ kiện, hoặc bảo quản máy hút bụi.** Biện pháp thận trọng sẽ tránh việc khởi động máy hút bụi không chủ ý.

► **Tạo cho nơi làm việc được thông thoáng tốt.**

► **Chỉ đưa máy hút bụi cho thợ chuyên môn có khả năng và chỉ sử dụng phụ tùng thay thế chính hãng để sửa chữa.** Điều này bảo đảm cho sự an toàn của máy hút bụi của bạn được giữ nguyên.

► **Không được làm sạch máy hút bụi bằng vòi phun nước hướng thẳng vào máy.** Sự xâm nhập của nước vào bên trong nắp của máy hút bụi làm tăng nguy cơ bị điện giật.

► **Không để lỗ thoát và cửa lá đóng, đập hay tác nghẽn.** Điều này đảm bảo việc vận hành đúng cách của động cơ.

► **Không hút các vật thể sắc cạnh như mảnh thủy tinh, đinh, đá, kim hay lưỡi dao cạo.** Việc này đảm bảo bộ lọc không bị hư hại.

► **Không được tháo pin ra.** Nguy cơ bị chập mạch.



**Bảo vệ pin không để bị làm nóng, ví dụ, chống để lâu dài dưới ánh nắng gay gắt, lửa, nước, và sự ẩm ướt.** Sự nguy hiểm của nổ.

► **Khi bộ nguồn pin (pin lỏng) không được sử dụng tới, giữ pin tránh xa các vật bằng kim loại như kẹp giấy, tiền xu, chìa khóa, đinh, vít, hoặc các vật kim loại nhỏ khác, thứ có thể tạo sự nối tiếp từ một đầu cực này với một đầu cực khác.** Sự đoản mạch các đầu cực của pin với nhau có thể gây phỏng hoặc cháy.

► **Trong trường hợp hành động sai cách, chất lỏng có thể văng ra khỏi pin; tránh tiếp xúc. Nếu vô tình tiếp xúc, xối nước vào để rửa. Nếu chất lỏng văng vào mắt, cần phải đến cơ sở y tế để được giúp đỡ.** Chất lỏng văng từ pin ra có thể gây ngứa hoặc bỏng.

► **Trong trường hợp pin bị hỏng hay sử dụng sai cách, hơi nước có thể bốc ra. Hãy làm cho thông thoáng khí và trong trường hợp bị đau phải nhờ y tế chữa trị.** Hơi nước có thể gây ngứa hệ hô hấp.

- ▶ **Chỉ nạp lại điện cho pin bằng bộ nạp điện do nhà sản xuất định rõ.** Một bộ nạp điện pin thích hợp cho một loại pin có thể gây ra nguy cơ cháy khi sử dụng cho một loại pin khác.
- ▶ **Hãy chỉ sử dụng pin với sự kết hợp của sản phẩm Bosch của bạn.** Chỉ bằng cách này, pin sẽ được bảo vệ tránh nguy cơ quá tải.
- ▶ **Pin có thể bị hư hại bởi các vật dụng nhọn như đinh hay tuốc-nơ-vít hoặc bởi các tác động lực từ bên ngoài.** Nó có thể dẫn tới đoản mạch nội bộ và làm pin bị cháy, bốc khói, phát nổ hoặc quá nóng.

## Mô Tả Sản Phẩm và Đặc Tính Kỹ Thuật

### Dành sử dụng cho

Máy hút bụi được xác định để hút các chất khô không gây hại cho sức khỏe.

**!** **CẢNH BÁO** Chỉ sử dụng máy hút bụi sau khi đã nắm rõ đầy đủ các thông tin về cách sử dụng máy. Sự trình bày kỹ lưỡng làm giảm sai sót trong vận hành và tổn thương.

### Biểu trưng của sản phẩm

Sự đánh số các đặc điểm của sản phẩm để tham khảo hình minh họa của máy hút bụi trên trang hình ảnh.

- 1 Nút mở dành cho khoang hút bụi
- 2 Phím Tắt/Mở
- 3 Đèn báo sự kiểm soát dòng điện nạp
- 4 Tay Nắm
- 5 Pin\*
- 6 Khe thông gió
- 7 Vỏ bọc động cơ
- 8 Khoang hút bụi
- 9 Vòi phun nổi
- 10 Lỗ thoát
- 11 Cổng bộ nguồn
- 12 Nút tháo pin
- 13 Rãnh
- 14 Lốp đệm của bộ lọc
- 15 Bộ lọc

\* Phụ tùng được trình bày hay mô tả không phải là một phần của tiêu chuẩn hàng hóa được giao kèm theo sản phẩm. Bạn có thể tham khảo tổng thể các loại phụ tùng, phụ kiện trong chương trình phụ tùng của chúng tôi.

### Thông số kỹ thuật

| Pin - Máy hút chân không   | GAS 12 V-Li |               |
|--|-------------|---------------|
| Mã số máy  |             | 3 601 JE3 0.. |
| Thể tích thùng chứa  | l           | 0.4           |
| Chân không, tối đa   | hPa         | 45            |
| Luồng khí, tối đa  | l/s         | 15            |
| Trọng lượng theo Qui trình EPTA-Procedure 01:2014 (chuẩn EPTA 01:2014) | kg          | 0.88 - 1.1    |
| Nhiệt độ môi trường cho phép   |             |               |
| - trong quá trình sạc điện   | °C          | 0...+45       |
| - khi vận hành* và khi lưu trữ   | °C          | -20...+50     |
| Pin được khuyến dùng   |             | GBA 12V...O.. |
| Thiết bị nạp được giới thiệu   |             | GAL 12.. CV   |

\* hiệu suất giới hạn ở nhiệt độ <math>< 0\text{ }^{\circ}\text{C}</math>

Các dữ kiện kỹ thuật được xác định cho pin được giao cùng hàng hóa cung cấp.

## Sự lắp vào

### Nạp điện pin

- ▶ **Chỉ sử dụng các bộ sạc được liệt kê trên trang phụ kiện.** Chỉ những bộ sạc này phù hợp cho máy hút bụi của bạn có sử dụng pin Li-Ion.

**Ghi Chú:** Pin giao kèm máy chỉ được nạp điện một phần. Để đảm bảo pin có đầy đủ điện dung, nạp điện hoàn toàn cho pin bằng bộ nạp điện pin trước khi bạn sử dụng dụng cụ điện cho lần đầu tiên.

Pin Lithium ion có thể nạp điện bất cứ lúc nào mà vẫn không làm giảm tuổi thọ của pin. Sự làm gián đoạn qui trình nạp điện không làm cho pin bị hư hỏng.

Pin Li-on được bảo vệ ngăn sự phóng điện quá lớn nhờ vào "Bộ phận Điện tử Bảo vệ Pin (Electronic Cell Protection = ECP)". Khi pin hết điện, máy tự tắt nhờ vào thiết bị bảo vệ mạch: Dụng cụ đang lắp trong máy dừng quay hẳn.

- ▶ **Không tiếp tục ấn lên thiết bị bật – tắt sau khi tắt máy hút bụi tự động.** Pin có thể bị hỏng.

Sự giảm thời gian hoạt động một cách rõ rệt sau khi nạp điện chỉ cho thấy rằng pin đã được sử dụng và phải được thay.

Tuân thủ các chú thích dành cho việc thái bỏ.

### Đèn Báo Sự Kiểm Soát Dòng Điện Nạp

Ba đèn LED màu xanh lá cây của màn hình hiển thị tình trạng sạc pin **3** chỉ ra tình trạng sạc của pin **5**. Màn hình hiển thị tình trạng sạc pin chỉ sáng 3 giây sau khi bắt đầu hoạt động.

## 28 | Tiếng Việt

| LED                           | Điện dung   |
|-------------------------------|-------------|
| Sáng liên tục 3 x màu xanh lá | $\geq 2/3$  |
| Sáng liên tục 2 x màu xanh lá | $\geq 1/3$  |
| Sáng liên tục 1 x màu xanh lá | $< 1/3$     |
| Chớp sáng 1 x màu xanh lá     | Sự Dự Phòng |

Đèn LED không sáng sau khi mở máy có nghĩa là pin bị hỏng và phải được thay thế.

**Tháo/ráp Pin (xem hình A1 – A2)**

► **Không dùng sức khi sử dụng pin.** Pin được thiết kế để chỉ có thể được lắp vào đúng vị trí trong máy hút bụi.

- Bạn hãy đẩy pin **5** tới cỡ chặn trong buồng pin **11**.
- Để tháo bộ nguồn **5**, nhấn phím nhà khóa **12** và kéo bộ nguồn ra khỏi cổng bộ nguồn **11**.

**Lắp đầu hút khe (xem hình B)**

► **Hãy tháo pin, trước khi bạn bảo dưỡng hoặc làm sạch, điều chỉnh thiết bị, thay phụ kiện, hoặc bảo quản máy hút bụi.** Biện pháp thận trọng sẽ tránh việc khởi động máy hút bụi không chủ ý.

Đầu hút khe **9** có thể cắm trực tiếp với buồng hút bụi **8**.

- Cắm đầu hút khe **9** chặt và xuống phía dưới vào lỗ thoát **10** tại buồng hút bụi **8** theo đánh dấu trên hình vẽ.

**Vận Hành**

► **Hãy tháo pin, trước khi bạn bảo dưỡng hoặc làm sạch, điều chỉnh thiết bị, thay phụ kiện, hoặc bảo quản máy hút bụi.** Biện pháp thận trọng sẽ tránh việc khởi động máy hút bụi không chủ ý.

**Bắt Đầu Vận Hành**

- **Bạn hãy đảm bảo chắc chắn trước khi hút bụi, rằng bộ lọc được lắp chắc chắn.**
- **Bạn chỉ sử dụng bộ lọc không bị hỏng (không chỗ rạn nứt, không có lỗ, v.v.). Bạn hãy thay ngay bộ lọc bị hỏng.**

**Tắt và Mở**

Để tiết kiệm điện năng, bạn chỉ bật máy hút bụi, khi bạn sử dụng nó.

- Để **Bật** máy hút bụi, bạn hãy ấn phím bật – tắt **2**.
- Để **Tắt** máy hút bụi, bạn hãy ấn mới phím bật – tắt **2**.

**Bảo Dưỡng và Bảo Quản****Bảo Dưỡng Và Làm Sạch**

► **Hãy tháo pin, trước khi bạn bảo dưỡng hoặc làm sạch, điều chỉnh thiết bị, thay phụ kiện,**

**hoặc bảo quản máy hút bụi.** Biện pháp thận trọng sẽ tránh việc khởi động máy hút bụi không chủ ý.

► **Để sự hoạt động an toàn và bình thường, luôn luôn giữ máy hút bụi và các khe thông gió được sạch.**

- Làm sạch vỏ máy hút bụi thường xuyên bằng khăn ẩm.
- Bạn hãy làm sạch công tắc sạc điện bị bẩn bằng khăn khô.

**Làm sạch khoang hút bụi (xem hình C1–C3)**

Bạn hãy làm sạch khoang hút bụi **8** sau mỗi lần sử dụng, nhằm đạt được công suất hút tối ưu.

- Nhẹ nhàng giữ máy hút bụi xuống dưới, để khi mở máy hút bụi, bụi không rơi ra khỏi buồng hút bụi.
- Bạn hãy ấn nút mở **1** và tháo khoang hút bụi **8** khỏi vỏ động cơ **7**.
- Kẹp vào rãnh **13** tại vỏ động cơ **7** và gỡ bỏ thiết bị bộ lọc **15** tại vòng bít bộ lọc **14** của vỏ động cơ.
- Làm sạch khoang hút bụi **8** bằng cách rũ bụi vào thùng rác phù hợp.
- Nếu cần thiết, bạn hãy làm sạch khoang hút bụi bằng khăn ẩm.

Nếu cần thiết, bạn hãy làm sạch bộ lọc (xem "Làm sạch bộ lọc", trang 28).

- Cài thiết bị bộ lọc **15** với vòng bít **14** lại vào trong vỏ động cơ **7**.

Sau đó, bạn hãy móc khoang hút bụi phía dưới vào vỏ động cơ và để khoang hút bụi ăn khớp dưới áp suất nhẹ.

**Làm sạch bộ lọc (xem hình D)**

Không làm sạch thiết bị bộ lọc **15** bằng cách nhúng nước.

- Nhẹ nhàng giữ máy hút bụi xuống dưới, để khi mở máy hút bụi, bụi không rơi ra khỏi buồng hút bụi.
- Bạn hãy ấn nút mở **1** và tháo khoang hút bụi **8** khỏi vỏ động cơ **7**.
- Kẹp vào rãnh **13** tại vỏ động cơ **7** và gỡ bỏ thiết bị bộ lọc **15** tại vòng bít bộ lọc **14** của vỏ động cơ.
- Bạn hãy chải bàn móng của bộ lọc gấp nếp bằng chổi mềm.
- Việc lắp ráp không được thực hiện theo trình tự ngược.

**Các Trục Trắc**

Trong trường hợp hiệu suất hút không đầy đủ, hãy kiểm tra như sau:

- Khoang hút bụi **8** đầy?
  - ▷ Xem "Làm sạch khoang hút bụi", trang 28.
- Bộ lọc gấp nếp có phủ bụi không?
  - ▷ xem "Làm sạch bộ lọc", trang 28.
- Công suất của pin quá yếu?
  - ▷ xem "Nạp điện pin", trang 27.

Làm rỗng thường xuyên khoang hút bụi **8** và làm sạch bộ lọc **15** đảm bảo công suất hút tối ưu.

Nếu sau đó mà hiệu suất hút vẫn không đạt được, đem máy hút bụi đến đại lý dịch vụ khách hàng.

### Dịch Vụ Sau Khi Bán và Dịch Vụ Ứng Dụng

Bộ phận dịch vụ hàng sau khi bán của chúng tôi sẽ trả lời các câu hỏi liên quan đến việc bảo trì và sửa chữa các sản phẩm cũng như các phụ tùng thay thế của bạn. Hình ảnh chi tiết và thông tin phụ tùng thay thế có thể tìm hiểu theo địa chỉ dưới đây:

[www.bosch-pt.com](http://www.bosch-pt.com)

Bộ phận dịch vụ ứng dụng Bosch sẽ hân hạnh trả lời các câu hỏi liên quan đến các sản phẩm của chúng tôi và linh kiện của chúng.

Trong tất cả các phản hồi và đơn đặt phụ tùng, xin vui lòng luôn luôn nhập số hàng hóa 10 chữ số theo nhãn của hàng hóa.

#### Việt Nam

Công ty Trách Nhiệm Hữu Hạn Robert Bosch Việt Nam, PT/SVN  
Tầng 10, 194 Golden Building  
473 Điện Biên Phủ  
Phường 25, Quận Bình Thạnh  
Thành Phố Hồ Chí Minh  
Việt Nam  
Tel.: (08) 6258 3690 Ext 413  
Fax: (08) 6258 3692  
[hieu.lagia@vn.bosch.com](mailto:hieu.lagia@vn.bosch.com)  
[www.bosch-pt.com](http://www.bosch-pt.com)


#### Vận Chuyển

Pin có chứa lithium-ion là đối tượng phải tuân theo các quy định của Pháp Luật về Hàng Hóa Nguy Hiểm. Người sử dụng có thể vận chuyển pin bằng đường bộ mà không cần có thêm yêu cầu nào khác. Khi được vận chuyển thông qua bên thứ ba (vd. vận chuyển bằng đường hàng không hay đại lý giao nhận), phải tuân theo các yêu cầu đặc biệt về đóng gói và dán nhãn. Để chuẩn bị cho món hàng sẽ được gửi đi, cần tham khảo ý kiến của chuyên gia về vật liệu nguy hiểm.

Chỉ gửi pin đi khi vỏ ngoài không bị hư hỏng. Dán băng keo hay che kín các điểm tiếp xúc để hở và đóng gói pin cách sao cho pin không thể xô dịch khi nằm trong bao bì được.

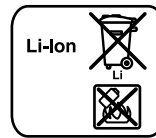
Cũng xin vui lòng tuân theo quy định chi tiết có thể có của mỗi quốc gia.

#### Thải bỏ

 Máy hút bụi, pin, phụ kiện và bao bì cần được tái sử dụng phù hợp với môi trường sống.

Bạn không được ném máy hút bụi và pin vào thùng rác gia đình!

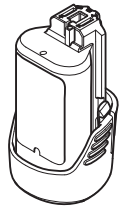
#### Pin lốc/pin:



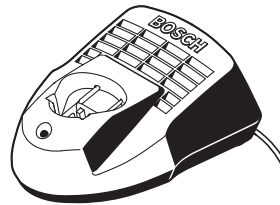
#### Li-ion:

Xin vui lòng tuân thủ theo thông tin dưới đây "Vận Chuyển", trang 29.

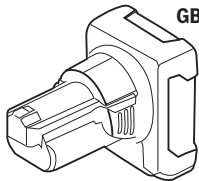
**Được quyền thay đổi nội dung mà không phải thông báo trước.**



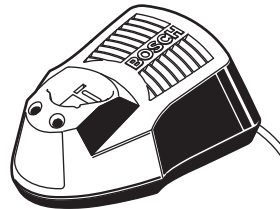
**GBA 12V...**



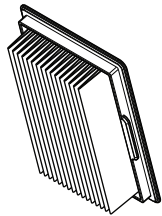
**GAL 1215 CV**



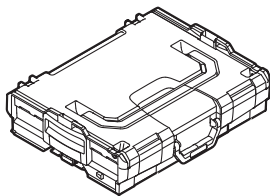
**GBA 12V...**



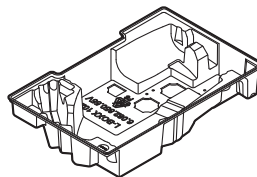
**GAL 1230 CV**



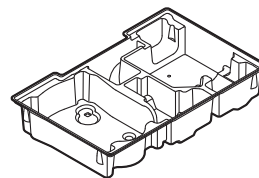
2 607 432 046



**L-BOXX 102**  
2 608 438 691



1 600 A00 3KW



1 600 A00 2WY