

6460516000

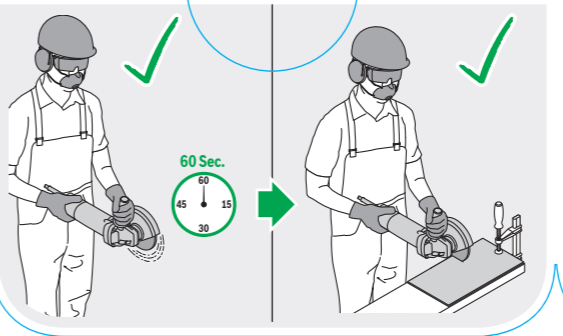
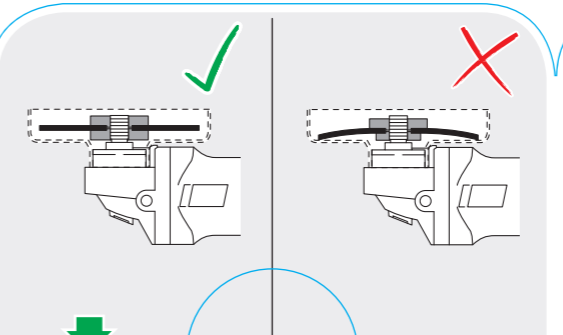
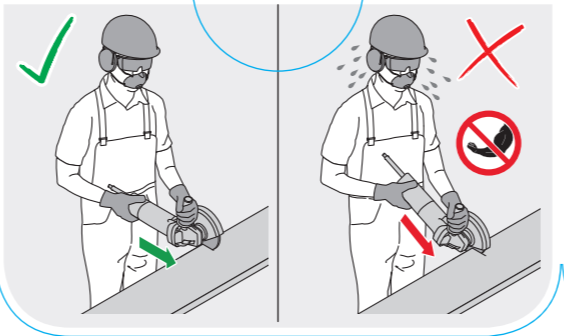
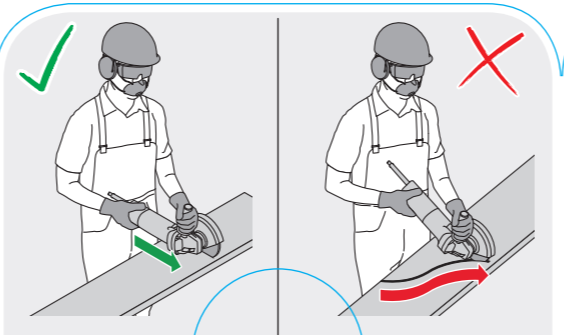
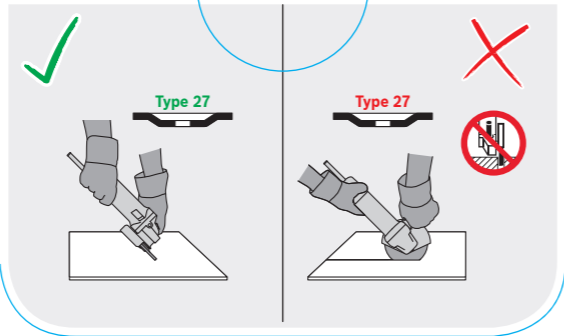
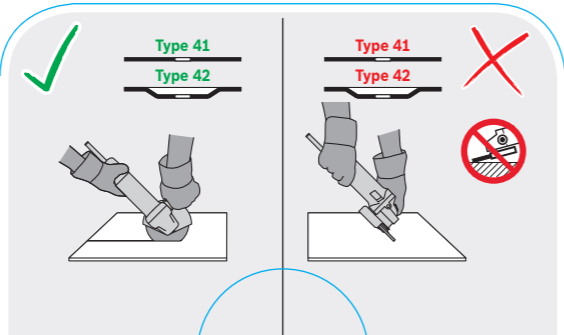
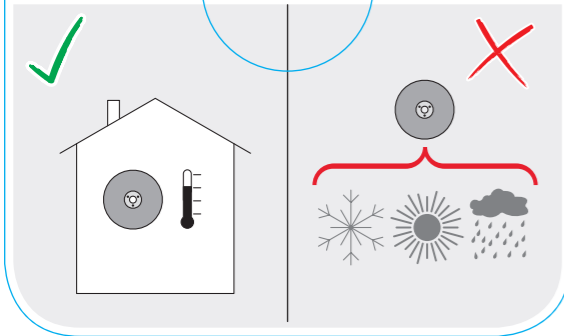
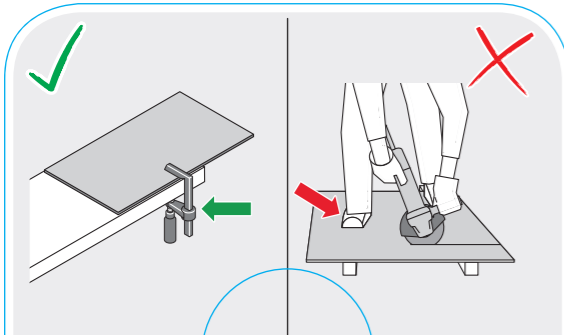
Robert Bosch Power Tools GmbH
70538 Stuttgart
GERMANY

www.bosch-pt.com

1 609 92A 474 (2017.11) 0/2



1 609 92A 474



BOSCH
Invented for life