



 **BOSCH**

GBH 220 Professional



Robert Bosch Power Tools GmbH
70538 Stuttgart
GERMANY

www.bosch-pt.com

1 609 92A 77P (2021.12) PS / 71

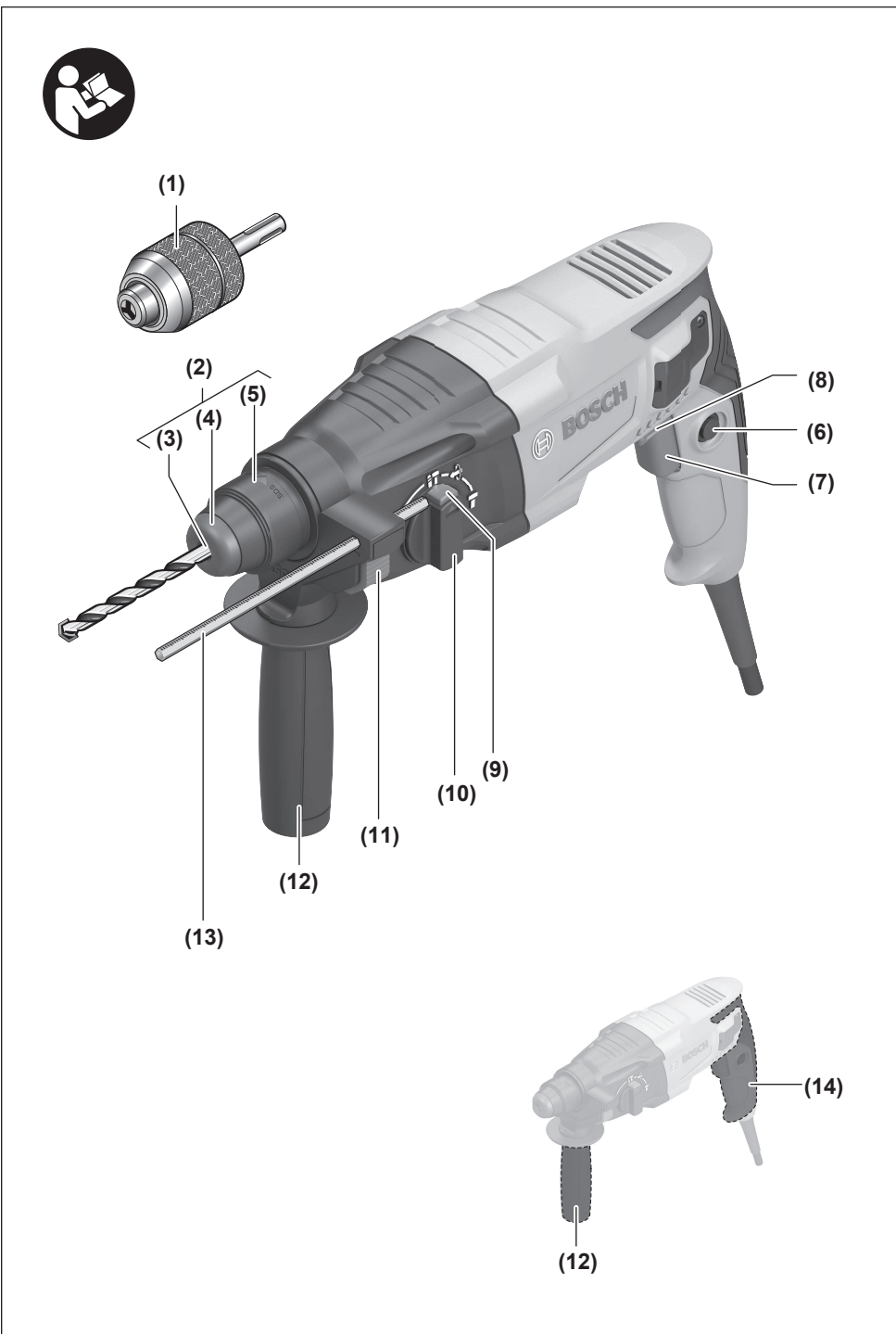


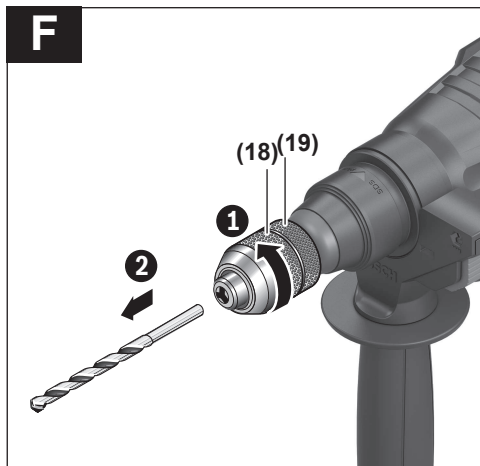
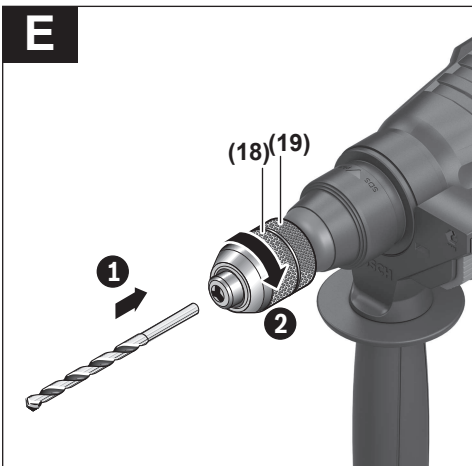
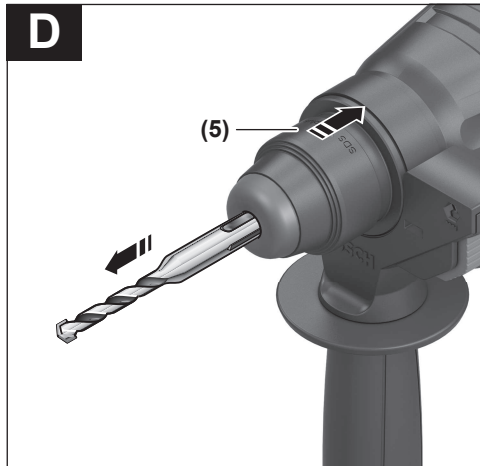
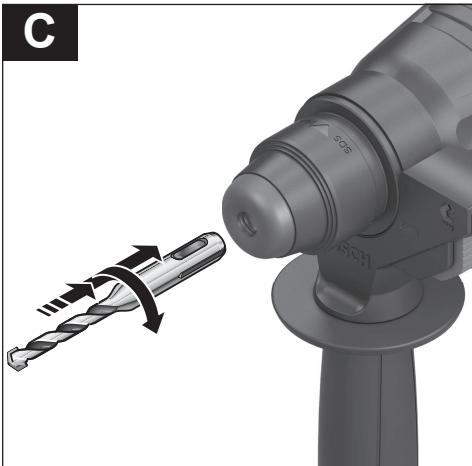
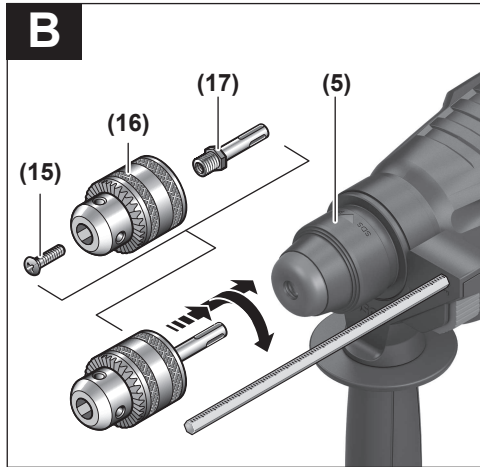
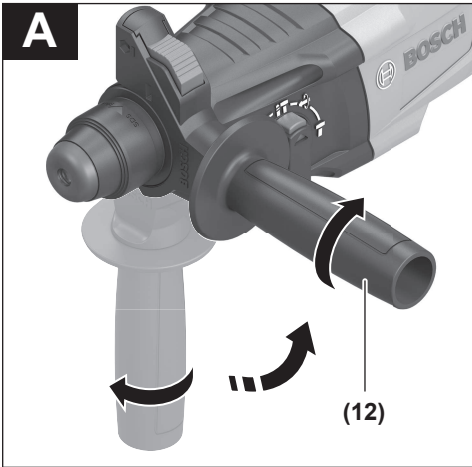
1 609 92A 77P

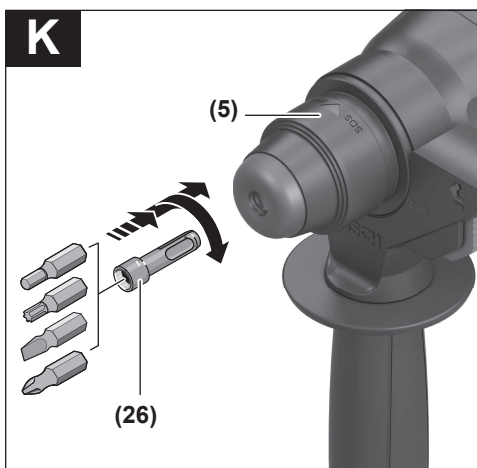
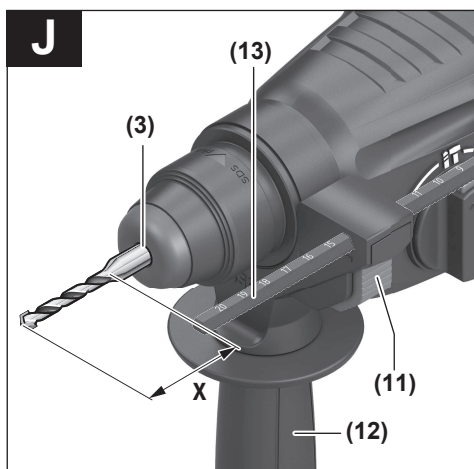
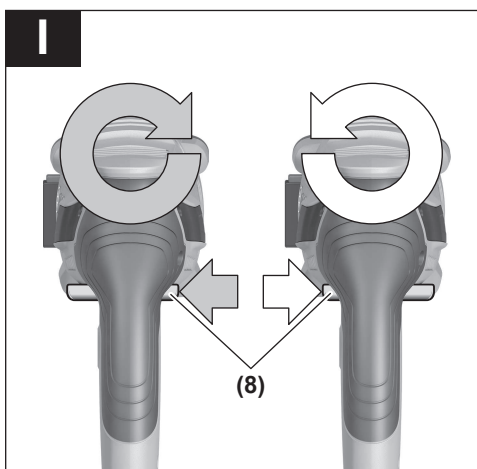
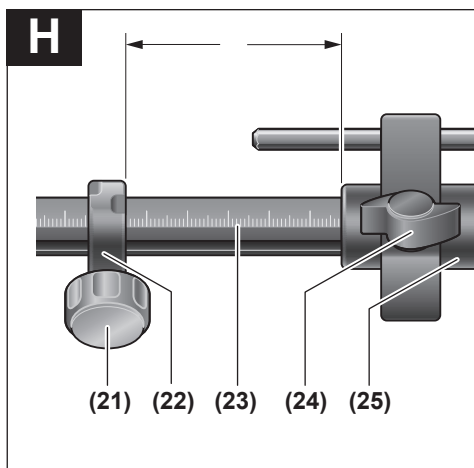
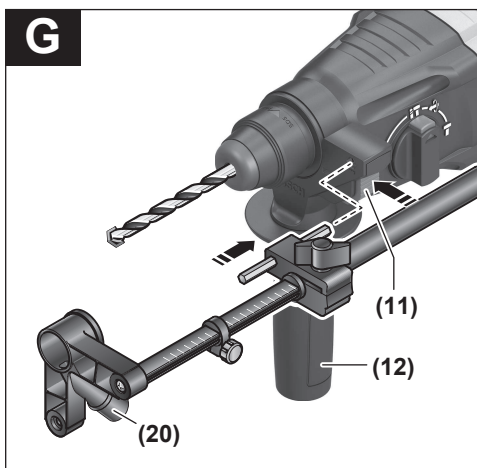
- en** Original instructions
- fr** Notice originale
- pt** Manual original
- zh** 正本使用说明书
- zh** 原始使用說明書
- th** หนังสือคู่มือการใช้งานฉบับต้นแบบ
- id** Petunjuk-Petunjuk untuk Penggunaan Orisinal
- vi** Bản gốc hướng dẫn sử dụng
- ar** دليل التشغيل الأصلي
- fa** دفترچه راهنمای اصلی



| | | |
|------------------------|---------|----|
| English | Page | 6 |
| Français | Page | 11 |
| Português | Página | 18 |
| 中文 | 頁 | 25 |
| 繁體中文 | 頁 | 30 |
| ไทย | หน้า | 35 |
| Bahasa Indonesia | Halaman | 42 |
| Tiếng Việt | Trang | 48 |
| عربي | الصفحة | 55 |
| فارسی | صفحه | 61 |
| CE | | |







English

Safety instructions

General Power Tool Safety Warnings

⚠ WARNING Read all safety warnings, instructions, illustrations and specifications provided with this power tool. Failure to follow all instructions listed below may result in electric shock, fire and/or serious injury.

Save all warnings and instructions for future reference.

The term "power tool" in the warnings refers to your mains-operated (corded) power tool or battery-operated (cordless) power tool.

Work area safety

- ▶ **Keep work area clean and well lit.** Cluttered or dark areas invite accidents.
- ▶ **Do not operate power tools in explosive atmospheres, such as in the presence of flammable liquids, gases or dust.** Power tools create sparks which may ignite the dust or fumes.
- ▶ **Keep children and bystanders away while operating a power tool.** Distractions can cause you to lose control.

Electrical safety

- ▶ **Power tool plugs must match the outlet. Never modify the plug in any way. Do not use any adapter plugs with earthed (grounded) power tools.** Unmodified plugs and matching outlets will reduce risk of electric shock.
- ▶ **Avoid body contact with earthed or grounded surfaces, such as pipes, radiators, ranges and refrigerators.** There is an increased risk of electric shock if your body is earthed or grounded.
- ▶ **Do not expose power tools to rain or wet conditions.** Water entering a power tool will increase the risk of electric shock.
- ▶ **Do not abuse the cord. Never use the cord for carrying, pulling or unplugging the power tool. Keep cord away from heat, oil, sharp edges or moving parts.** Damaged or entangled cords increase the risk of electric shock.
- ▶ **When operating a power tool outdoors, use an extension cord suitable for outdoor use.** Use of a cord suitable for outdoor use reduces the risk of electric shock.
- ▶ **If operating a power tool in a damp location is unavoidable, use a residual current device (RCD) protected supply.** Use of an RCD reduces the risk of electric shock.

Personal safety

- ▶ **Stay alert, watch what you are doing and use common sense when operating a power tool. Do not use a power tool while you are tired or under the influence of drugs, alcohol or medication.** A moment of inatten-

tion while operating power tools may result in serious personal injury.

- ▶ **Use personal protective equipment. Always wear eye protection.** Protective equipment such as a dust mask, non-skid safety shoes, hard hat or hearing protection used for appropriate conditions will reduce personal injuries.
- ▶ **Prevent unintentional starting. Ensure the switch is in the off-position before connecting to power source and/or battery pack, picking up or carrying the tool.** Carrying power tools with your finger on the switch or energising power tools that have the switch on invites accidents.
- ▶ **Remove any adjusting key or wrench before turning the power tool on.** A wrench or a key left attached to a rotating part of the power tool may result in personal injury.
- ▶ **Do not overreach. Keep proper footing and balance at all times.** This enables better control of the power tool in unexpected situations.
- ▶ **Dress properly. Do not wear loose clothing or jewellery. Keep your hair and clothing away from moving parts.** Loose clothes, jewellery or long hair can be caught in moving parts.
- ▶ **If devices are provided for the connection of dust extraction and collection facilities, ensure these are connected and properly used.** Use of dust collection can reduce dust-related hazards.
- ▶ **Do not let familiarity gained from frequent use of tools allow you to become complacent and ignore tool safety principles.** A careless action can cause severe injury within a fraction of a second.

Power tool use and care

- ▶ **Do not force the power tool. Use the correct power tool for your application.** The correct power tool will do the job better and safer at the rate for which it was designed.
- ▶ **Do not use the power tool if the switch does not turn it on and off.** Any power tool that cannot be controlled with the switch is dangerous and must be repaired.
- ▶ **Disconnect the plug from the power source and/or remove the battery pack, if detachable, from the power tool before making any adjustments, changing accessories, or storing power tools.** Such preventive safety measures reduce the risk of starting the power tool accidentally.
- ▶ **Store idle power tools out of the reach of children and do not allow persons unfamiliar with the power tool or these instructions to operate the power tool.** Power tools are dangerous in the hands of untrained users.
- ▶ **Maintain power tools and accessories. Check for misalignment or binding of moving parts, breakage of parts and any other condition that may affect the power tool's operation. If damaged, have the power tool repaired before use.** Many accidents are caused by poorly maintained power tools.

- ▶ **Keep cutting tools sharp and clean.** Properly maintained cutting tools with sharp cutting edges are less likely to bind and are easier to control.
- ▶ **Use the power tool, accessories and tool bits etc. in accordance with these instructions, taking into account the working conditions and the work to be performed.** Use of the power tool for operations different from those intended could result in a hazardous situation.
- ▶ **Keep handles and grasping surfaces dry, clean and free from oil and grease.** Slippery handles and grasping surfaces do not allow for safe handling and control of the tool in unexpected situations.

Service

- ▶ **Have your power tool serviced by a qualified repair person using only identical replacement parts.** This will ensure that the safety of the power tool is maintained.

Hammer Safety Warnings

Safety instructions for all operations

- ▶ **Wear ear protectors.** Exposure to noise can cause hearing loss.
- ▶ **Use auxiliary handle(s), if supplied with the tool.** Loss of control can cause personal injury.
- ▶ **Hold the power tool by insulated gripping surfaces, when performing an operation where the cutting accessory or fasteners may contact hidden wiring or its own cord.** Cutting accessory or fasteners contacting a "live" wire may make exposed metal parts of the power tool "live" and could give the operator an electric shock.

Safety instructions when using long drill bits with rotary hammers

- ▶ **Always start drilling at low speed and with the bit tip in contact with the workpiece.** At higher speeds, the bit is likely to bend if allowed to rotate freely without contacting the workpiece, resulting in personal injury.
- ▶ **Apply pressure only in direct line with the bit and do not apply excessive pressure.** Bits can bend, causing breakage or loss of control, resulting in personal injury.

Additional Safety Information

- ▶ **Switch the power tool off immediately if the application tool becomes blocked. Be prepared for high torque reactions which cause kickback.** The application tool becomes blocked when it becomes jammed in the workpiece or when the power tool becomes overloaded.
- ▶ **Use suitable detectors to determine if utility lines are hidden in the work area or call the local utility company for assistance.** Contact with electric lines can lead to fire and electric shock. Damaging a gas line can lead to explosion. Penetrating a water line causes property damage or may cause an electric shock.
- ▶ **Always wait until the power tool has come to a complete stop before placing it down.** The application tool can jam and cause you to lose control of the power tool.

- ▶ **Secure the workpiece.** A workpiece clamped with clamping devices or in a vice is held more secure than by hand.

Products sold in GB only:

Your product is fitted with an BS 1363/A approved electric plug with internal fuse (ASTA approved to BS 1362).

If the plug is not suitable for your socket outlets, it should be cut off and an appropriate plug fitted in its place by an authorised customer service agent. The replacement plug should have the same fuse rating as the original plug.

The severed plug must be disposed of to avoid a possible shock hazard and should never be inserted into a mains socket elsewhere.

- ▶ **Do not touch any application tools or adjacent housing components shortly after operation.** These can become very hot during operation and cause burns.
- ▶ **The application tool may jam during drilling. Make sure you have a stable footing and hold the power tool firmly with both hands.** Otherwise you could lose control of the power tool.
- ▶ **Take care when carrying out demolition work using the chisel.** Falling fragments of the demolition material could injure you or any bystanders.

Product Description and Specifications



Read all the safety and general instructions.

Failure to observe the safety and general instructions may result in electric shock, fire and/or serious injury.

Please observe the illustrations at the beginning of this operating manual.

Intended Use

The power tool is intended for hammer drilling in concrete, brick and stone, as well as for light chiselling work. It is also suitable for drilling without impact in wood, metal, ceramic and plastic. Power tools with electronic control and right/left rotation are also suitable for screwdriving.

Product Features

The numbering of the product features refers to the diagram of the power tool on the graphics page.

- (1) Keyless chuck³⁾
- (2) SDS-plus drill chuck
- (3) SDS-plus tool holder
- (4) Dust protection cap
- (5) Locking sleeve
- (6) Lock-on button for on/off switch
- (7) On/off switch
- (8) Rotational direction switch
- (9) Release button for impact/mode selector switch
- (10) Impact/mode selector switch

- (11) Button for depth stop adjustment
- (12) Auxiliary handle (insulated gripping surface)
- (13) Depth stop
- (14) Handle (insulated gripping surface)
- (15) Securing screw for keyed chuck^{a)}
- (16) Keyed chuck^{a)}
- (17) SDS plus shank for drill chuck^{a)}
- (18) Front sleeve of the keyless chuck^{a)}
- (19) Rear sleeve of the keyless chuck^{a)}
- (20) Saugfix suction opening^{a)}
- (21) Saugfix clamping screw^{a)}
- (22) Saugfix depth stop^{a)}
- (23) Saugfix telescopic tube^{a)}
- (24) Saugfix wing bolt^{a)}
- (25) Saugfix guide tube^{a)}
- (26) Universal holder with SDS-plus shank^{a)}

a) **Accessories shown or described are not included with the product as standard. You can find the complete selection of accessories in our accessories range.**

Technical Data

| Rotary hammer | | GBH 220 |
|--|-------------------|---------------|
| Article number | | 3 611 BA6 0.. |
| Rated power input | W | 720 |
| Impact rate | min ⁻¹ | 0-4800 |
| Impact energy per stroke according to EPTA-Procedure 05:2016 | J | 2.0 |
| No-load speed | min ⁻¹ | 0-2000 |
| Tool holder | | SDS-plus |
| Spindle collar diameter | mm | 48.5 |
| Max. drilling diameter | | |
| – Concrete ^{A)} | mm | 22 |
| – Steel | mm | 13 |
| – Wood | mm | 30 |
| Weight according to EPTA-Procedure 01:2014 | kg | 2.3 |
| Protection class | | □/II |

A) optimum performance with drilling diameter **6–12 mm**
 The specifications apply to a rated voltage [U] of 230 V. These specifications may vary at different voltages and in country-specific models.

Noise/Vibration Information

Noise emission values determined according to **EN 62841-2-6**.

Typically, the A-weighted noise level of the power tool is:
 Sound pressure level **94 dB(A)**; sound power level **105 dB(A)**. Uncertainty $K = 3$ dB.

Wear hearing protection!

Vibration total values a_{hv} (triax vector sum) and uncertainty K determined according to **EN 62841-2-6**:

Hammer drilling into concrete: $a_{hv} = 14.2$ m/s², $K = 1.5$ m/s²,
 Chiselling: $a_{hv} = 13.7$ m/s², $K = 1.5$ m/s²,

The vibration level and noise emission value given in these instructions have been measured in accordance with a standardised measuring procedure and may be used to compare power tools. They may also be used for a preliminary estimation of vibration and noise emissions.

The stated vibration level and noise emission value represent the main applications of the power tool. However, if the power tool is used for other applications, with different application tools or is poorly maintained, the vibration level and noise emission value may differ. This may significantly increase the vibration and noise emissions over the total working period.

To estimate vibration and noise emissions accurately, the times when the tool is switched off or when it is running but not actually being used should also be taken into account. This may significantly reduce vibration and noise emissions over the total working period.

Implement additional safety measures to protect the operator from the effects of vibration, such as servicing the power tool and application tools, keeping their hands warm, and organising workflows correctly.

Assembly

► **Pull the plug out of the socket before carrying out any work on the power tool.**

Auxiliary handle

- **Do not operate your power tool without the auxiliary handle (12).**
- **Make sure that the auxiliary handle is always tightened.** Otherwise you could lose control of the power tool when working.

Swivelling the auxiliary handle (see figure A)

You can swivel the auxiliary handle (12) to any angle for a safe work posture that minimises fatigue.

- Turn the lower gripping end of the auxiliary handle (12) anticlockwise and swivel the auxiliary handle (12) into the required position. Then turn the lower gripping end of the auxiliary handle (12) clockwise to retighten it. Make sure that the retaining strap of the auxiliary handle slots into the corresponding groove of the housing.

Selecting drill chucks and tools

Hammer drilling and chiselling require SDS-plus application tools that are inserted into the SDS-plus drill chuck.

For drilling without impact in wood, metal, ceramic and plastic as well as for screwdriving, tools without SDS-plus are used (e.g. cylindrical shank drill bits). For these tools, a keyless chuck or a keyed chuck are required.

Changing the drill chuck

Fitting the keyless chuck/keyed chuck (see figure B)

- Screw the SDS-plus shank (17) into a keyless chuck (1)/keyed chuck (16). Secure the keyless chuck (1)/keyed chuck (16) using the securing screw (15). **Note that the securing screw has a left-hand thread.**

Inserting the keyless chuck/keyed chuck (see figure B)

- Clean and lightly grease the insertion end of the SDS plus shank (17).
- Insert the keyless chuck (1)/keyed chuck (16) with the shank into the tool holder with a turning motion until it locks automatically.
- Check that it is locked by pulling the keyless chuck (1)/keyed chuck (16).

Removing the keyless chuck/keyed chuck

- Push the locking sleeve (5) back and remove the keyless chuck (1)/keyed chuck (16).

Changing the Tool

The dust protection cap (4) largely prevents the penetration of drilling dust into the tool holder during operation. When inserting the tool, make sure that the dust protection cap (4) does not become damaged.

- ▶ **Replace a damaged dust protection cap immediately. It is recommended that you have use an after-sales service for this.**

Changing the tool (SDS plus)

Inserting SDS-plus application tools (see figure C)

The SDS-plus drill chuck enables you to change the application tool easily and conveniently without needing to use additional tools.

- Clean and lightly grease the insertion end of the application tool.
- Insert the application tool into the tool holder while turning it until it locks automatically.
- Check the latching by pulling the tool.

As a requirement of the system, the SDS-plus application tool can move freely. This causes a certain radial run-out at no-load, which has no effect on the accuracy of the drill hole, as the drill bit centres itself upon drilling.

Removing SDS-plus application tools (see figure D)

- Push the locking sleeve (5) back and remove the application tool.

Changing the keyless quick-change chuck

Inserting the application tool (see figure E)

Note: Application tools that do not have SDS plus must not be used for hammer drilling or chiselling. Tools without SDS plus and their drill chucks are damaged by hammer drilling or chiselling.

- Insert the keyless chuck (1).
- Hold the rear sleeve (19) of the keyless chuck (1) firmly and turn the front sleeve (18) anti-clockwise until the tool can be inserted. Insert the tool.

- Hold the rear sleeve of the keyless chuck (1) and firmly tighten the front sleeve by hand in a clockwise direction until it stops clicking. This will automatically lock the drill chuck.
- Check that it is seated securely by pulling the tool.

Note: If the tool holder was unscrewed all the way, a scraping sound may be heard while retightening the tool holder and it may not fully tighten.

In this case, turn the front sleeve in the opposite direction to the arrow by one full turn. This will allow the tool holder to be fully tightened.

- Turn the impact/mode selector switch (10) to the "drilling" position.

Removing the application tool (see figure F)

- Hold the rear sleeve (19) of the keyless chuck firmly in place. Open the tool holder by turning the front sleeve in the direction of the arrow until the tool can be removed.

Dust/Chip Extraction

The dust from materials such as lead paint, some types of wood, minerals and metal can be harmful to human health. Touching or breathing in this dust can trigger allergic reactions and/or cause respiratory illnesses in the user or in people in the near vicinity.

Certain dusts, such as oak or beech dust, are classified as carcinogenic, especially in conjunction with wood treatment additives (chromate, wood preservative). Materials containing asbestos may only be machined by specialists.

- Use a dust extraction system that is suitable for the material wherever possible.
- Provide good ventilation at the workplace.
- It is advisable to wear a P2 filter class breathing mask.

The regulations on the material being machined that apply in the country of use must be observed.

- ▶ **Avoid dust accumulation at the workplace.** Dust can easily ignite.

Dust extraction with the dust extraction attachment (accessory)

Fitting the dust extraction attachment (see figure G)

For dust extraction, the dust extraction attachment (accessory) is required. When drilling, the dust extraction attachment retracts so that the attachment head is always close to the surface at the drill hole.

- Press the button for depth stop adjustment (11) and remove the depth stop (13). Press the button (11) again and insert the dust extraction attachment into the auxiliary handle (12) from the front.
- Connect an extraction hose (diameter 19 mm, accessory) to the suction opening (20) of the dust extraction attachment.

The dust extractor must be suitable for the material being worked.

When extracting dust that is dry, especially detrimental to health or carcinogenic, use a special dust extractor.

Setting the drilling depth on the dust extraction attachment (see figure H)

You can also set the required drilling depth **X** when the dust extraction attachment is fitted.

- Push the SDS-plus application tool into the SDS-plus tool holder (3) as far as it will go. Otherwise, the movability of the SDS-plus drilling tool can lead to incorrect adjustment of the drilling depth.
- Loosen the wing bolt (24) on the dust extraction attachment.
- Without switching it on, press the power tool firmly against the surface you wish to drill. The SDS-plus application tool must be touching the surface.
- Position the guide tube (25) of the dust extraction attachment in its holder such that the head of the dust extraction attachment rests on the surface to be drilled. Do not slide the guide tube (25) further than necessary over the telescopic tube (23), so that as much as possible of the scale remains visible on the telescopic tube (23).
- Retighten the wing bolt (24). Loosen the clamping screw (21) on the depth stop of the dust extraction attachment.
- Slide the depth stop (22) onto the telescopic tube (23) so that the distance **X** shown in the illustration matches your required drilling depth.
- Tighten the clamping screw (21) in this position.

Operation

- **Products that are only sold in AUS and NZ:** Use a residual current device (RCD) with a nominal residual current of 30 mA or less.

Start-up

- **Pay attention to the mains voltage. The voltage of the power source must match the voltage specified on the rating plate of the power tool. Power tools marked with 230 V can also be operated with 220 V.**

Setting the Operating Mode

The operating mode of the power tool is selected using the impact/mode selector switch (10).

- To change the operating mode, press the release button (9) and turn the impact/mode selector switch (10) until it clicks into the required position.

Note: Only change the operating mode when the power tool is switched off. Otherwise, the power tool may become damaged.

- Position for **hammer drilling** into concrete or stone



- Position for **drilling** without impact in wood, metal, ceramic and plastic and for **screwdriving**



Vario-Lock position for adjusting the chisel position

The impact/mode selector switch (10) will not engage in this position.

Position for **chiselling**



Setting the rotational direction (see figure I)

The rotational direction switch (8) is used to change the rotational direction of the power tool. However, this is not possible while the on/off switch (7) is being pressed.

- **Only operate the rotational direction switch (8) when the power tool is not in use.**

Always set the rotational direction to clockwise rotation for hammer drilling, drilling and chiselling.

- **Clockwise:** To drill and to drive in screws, press the rotational direction switch (8) all the way to the left.
- **Anticlockwise:** To loosen and unscrew screws and nuts, press the rotational direction switch (8) all the way to the right.

Switching On/Off

- To **switch on** the power tool, press the on/off switch (7).
- To **lock** the on/off switch (7), press and hold it while also pushing the lock-on button (6).
- To **switch off** the power tool, release the on/off switch (7). If the on/off switch (7) is locked, press the switch first and then release it.

Adjusting the Speed/Impact Rate

You can adjust the speed/impact rate of the power tool when it is on by pressing in the on/off switch (7) to varying extents.

Applying light pressure to the on/off switch (7) results in a low rotational speed/impact rate. Applying increasing pressure to the switch increases the speed/impact rate.

Changing the chiselling position (Vario-Lock)

You can lock the chisel in 13 different positions, so you can select the optimum working position for each task.

- Insert the chisel into the tool holder.
- Turn the impact/mode selector switch (10) to the "Vario-Lock" position.
- Turn the application tool to the required chisel position.
- Turn the impact/mode selector switch (10) to the "chiselling" position. With this, the tool holder is locked.
- Set the rotational direction for chiselling to clockwise.

Chiselling with lock function

To chisel for extended periods without pressing the on/off switch (7), lock the on/off switch in "chiselling" operating mode.

- To **lock** the power tool, press the on/off switch (7) down fully whilst simultaneously pressing the lock-on switch (6).
- To switch the lock off, press the lock-on button (6) again.

Note: If you switch to a different operating mode while the on/off switch is locked, the power tool will switch off.

Practical Advice

- ▶ **Only apply the power tool to the screw/nut when the tool is switched off.** Rotating tool inserts can slip off.

Setting the drilling depth (see figure J)

You can use the depth stop (13) to set the required drilling depth X.

- Press the button for depth stop adjustment (11) and insert the depth stop into the auxiliary handle (12). The fluting on the depth stop (13) must face downwards.
- Insert the SDS-plus application tool into the SDS-plus tool holder (3) to the stop. Otherwise, the movability of the SDS-plus drilling tool can lead to incorrect adjustment of the drilling depth.
- Pull the depth stop far enough out that the distance between the drill bit tip and the edge of the depth stop corresponds to the required drilling depth X.

Overload clutch

- ▶ **If the application tool jams or snags, the power transmission to the drill spindle will be interrupted. Always hold the power tool firmly with both hands to withstand the forces this may create and adopt a position with stable footing.**
- ▶ **Switch the power tool off immediately and remove the application tool if the power tool becomes blocked. Switching on when the drilling tool is blocked may cause high torque reactions.**

Inserting screwdriver bits (see figure K)

- ▶ **Only apply the power tool to the screw/nut when the tool is switched off.** Rotating tool inserts can slip off.

A universal holder (26) with SDS-plus shank (accessory) is required to work with screwdriver bits.

- Clean and lightly grease the insertion end of the shank.
- Insert the universal holder into the tool holder while turning it until it locks automatically.
- Check that it is locked by pulling the universal holder.
- Insert a screwdriver bit in the universal holder. Only use screwdriver bits that fit the screw head.
- To remove the universal holder, slide the locking sleeve (5) backwards and remove the universal holder (26) from the tool holder.

Maintenance and Service

Maintenance and Cleaning

- ▶ **Pull the plug out of the socket before carrying out any work on the power tool.**
- ▶ **To ensure safe and efficient operation, always keep the power tool and the ventilation slots clean.**

In order to avoid safety hazards, if the power supply cord needs to be replaced, this must be done by **Bosch** or by an

after-sales service centre that is authorised to repair **Bosch** power tools.

- ▶ **Replace a damaged dust protection cap immediately. It is recommended that you have use an after-sales service for this.**
- Clean the tool holder (3) after each use.

After-Sales Service and Application Service

Our after-sales service responds to your questions concerning maintenance and repair of your product as well as spare parts. You can find explosion drawings and information on spare parts at: www.bosch-pt.com

The Bosch product use advice team will be happy to help you with any questions about our products and their accessories.

In all correspondence and spare parts orders, please always include the 10-digit article number given on the nameplate of the product.

Malaysia

Robert Bosch Sdn. Bhd. (220975-V) PT/SMY

No. 8A, Jalan 13/6

46200 Petaling Jaya

Selangor

Tel.: (03) 79663194

Toll-Free: 1800 880188

Fax: (03) 79583838

E-Mail: kiathoe.chong@my.bosch.com

www.bosch-pt.com.my

You can find further service addresses at:

www.bosch-pt.com/serviceaddresses

Disposal

The power tool, accessories and packaging should be recycled in an environmentally friendly manner.



Do not dispose of power tools along with household waste.

Français

Consignes de sécurité

Avertissements de sécurité généraux pour l'outil électrique

AVERTISSEMENT

Lire tous les avertissements de sécurité, les instructions, les illustrations et les spécifications fournis

avec cet outil électrique. Ne pas suivre les instructions énumérées ci-dessous peut provoquer un choc électrique, un incendie et/ou une blessure sérieuse.

Conserver tous les avertissements et toutes les instructions pour pouvoir s'y reporter ultérieurement.

Le terme "outil électrique" dans les avertissements fait référence à votre outil électrique alimenté par le secteur (avec cordon d'alimentation) ou votre outil électrique fonctionnant sur batterie (sans cordon d'alimentation).

Sécurité de la zone de travail

- ▶ **Conserver la zone de travail propre et bien éclairée.**
Les zones en désordre ou sombres sont propices aux accidents.
- ▶ **Ne pas faire fonctionner les outils électriques en atmosphère explosive, par exemple en présence de liquides inflammables, de gaz ou de poussières.** Les outils électriques produisent des étincelles qui peuvent enflammer les poussières ou les fumées.
- ▶ **Maintenir les enfants et les personnes présentes à l'écart pendant l'utilisation de l'outil électrique.** Les distractions peuvent vous faire perdre le contrôle de l'outil.

Sécurité électrique

- ▶ **Il faut que les fiches de l'outil électrique soient adaptées au socle. Ne jamais modifier la fiche de quelque façon que ce soit. Ne pas utiliser d'adaptateurs avec des outils électriques à branchement de terre.** Des fiches non modifiées et des socles adaptés réduisent le risque de choc électrique.
- ▶ **Éviter tout contact du corps avec des surfaces reliées à la terre telles que les tuyaux, les radiateurs, les cuisinières et les réfrigérateurs.** Il existe un risque accru de choc électrique si votre corps est relié à la terre.
- ▶ **Ne pas exposer les outils électriques à la pluie ou à des conditions humides.** La pénétration d'eau à l'intérieur d'un outil électrique augmente le risque de choc électrique.
- ▶ **Ne pas maltraiter le cordon. Ne jamais utiliser le cordon pour porter, tirer ou débrancher l'outil électrique. Maintenir le cordon à l'écart de la chaleur, du lubrifiant, des arêtes vives ou des parties en mouvement.** Des cordons endommagés ou emmêlés augmentent le risque de choc électrique.
- ▶ **Lorsqu'on utilise un outil électrique à l'extérieur, utiliser un prolongateur adapté à l'utilisation extérieure.** L'utilisation d'un cordon adapté à l'utilisation extérieure réduit le risque de choc électrique.
- ▶ **Si l'usage d'un outil électrique dans un emplacement humide est inévitable, utiliser une alimentation protégée par un dispositif à courant différentiel résiduel (RCD).** L'usage d'un RCD réduit le risque de choc électrique.

Sécurité des personnes

- ▶ **Rester vigilant, regarder ce que vous êtes en train de faire et faire preuve de bon sens dans votre utilisation de l'outil électrique. Ne pas utiliser un outil électrique lorsque vous êtes fatigué ou sous l'emprise de drogues, de l'alcool ou de médicaments.** Un moment

d'inattention en cours d'utilisation d'un outil électrique peut entraîner des blessures graves.

- ▶ **Utiliser un équipement de protection individuelle. Toujours porter une protection pour les yeux.** Les équipements de protection individuelle tels que les masques contre les poussières, les chaussures de sécurité antidérapantes, les casques ou les protections auditives utilisés pour les conditions appropriées réduisent les blessures.
- ▶ **Éviter tout démarrage intempestif. S'assurer que l'interrupteur est en position arrêté avant de brancher l'outil au secteur et/ou au bloc de batteries, de le ramasser ou de le porter.** Porter les outils électriques en ayant le doigt sur l'interrupteur ou brancher des outils électriques dont l'interrupteur est en position marche est source d'accidents.
- ▶ **Retirer toute clé de réglage avant de mettre l'outil électrique en marche.** Une clé laissée fixée sur une partie tournante de l'outil électrique peut donner lieu à des blessures.
- ▶ **Ne pas se précipiter. Garder une position et un équilibre adaptés à tout moment.** Cela permet un meilleur contrôle de l'outil électrique dans des situations inattendues.
- ▶ **S'habiller de manière adaptée. Ne pas porter de vêtements amples ou de bijoux. Garder les cheveux et les vêtements à distance des parties en mouvement.** Des vêtements amples, des bijoux ou les cheveux longs peuvent être pris dans des parties en mouvement.
- ▶ **Si des dispositifs sont fournis pour le raccordement d'équipements pour l'extraction et la récupération des poussières, s'assurer qu'ils sont connectés et correctement utilisés.** Utiliser des collecteurs de poussière peut réduire les risques dus aux poussières.
- ▶ **Rester vigilant et ne pas négliger les principes de sécurité de l'outil sous prétexte que vous avez l'habitude de l'utiliser.** Une fraction de seconde d'inattention peut provoquer une blessure grave.

Utilisation et entretien de l'outil électrique

- ▶ **Ne pas forcer l'outil électrique. Utiliser l'outil électrique adapté à votre application.** L'outil électrique adapté réalise mieux le travail et de manière plus sûre au régime pour lequel il a été construit.
- ▶ **Ne pas utiliser l'outil électrique si l'interrupteur ne permet pas de passer de l'état de marche à arrêté et inversement.** Tout outil électrique qui ne peut pas être commandé par l'interrupteur est dangereux et il faut le réparer.
- ▶ **Débrancher la fiche de la source d'alimentation et/ou enlever le bloc de batteries, s'il est amovible, avant tout réglage, changement d'accessoires ou avant de ranger l'outil électrique.** De telles mesures de sécurité préventives réduisent le risque de démarrage accidentel de l'outil électrique.
- ▶ **Conserver les outils électriques à l'arrêt hors de la portée des enfants et ne pas permettre à des per-**

sonnes ne connaissant pas l'outil électrique ou les présentes instructions de le faire fonctionner. Les outils électriques sont dangereux entre les mains d'utilisateurs novices.

- ▶ **Observer la maintenance des outils électriques et des accessoires. Vérifier qu'il n'y a pas de mauvais alignement ou de blocage des parties mobiles, des pièces cassées ou toute autre condition pouvant affecter le fonctionnement de l'outil électrique. En cas de dommages, faire réparer l'outil électrique avant de l'utiliser.** De nombreux accidents sont dus à des outils électriques mal entretenus.
- ▶ **Garder affûtés et propres les outils permettant de couper.** Des outils destinés à couper correctement entretenus avec des pièces coupantes tranchantes sont moins susceptibles de bloquer et sont plus faciles à contrôler.
- ▶ **Utiliser l'outil électrique, les accessoires et les lames etc., conformément à ces instructions, en tenant compte des conditions de travail et du travail à réaliser.** L'utilisation de l'outil électrique pour des opérations différentes de celles prévues peut donner lieu à des situations dangereuses.
- ▶ **Il faut que les poignées et les surfaces de préhension restent sèches, propres et dépourvues d'huiles et de graisses.** Des poignées et des surfaces de préhension glissantes rendent impossibles la manipulation et le contrôle en toute sécurité de l'outil dans les situations inattendues.

Maintenance et entretien

- ▶ **Faire entretenir l'outil électrique par un réparateur qualifié utilisant uniquement des pièces de rechange identiques.** Cela assure le maintien de la sécurité de l'outil électrique.

Avertissements de sécurité pour les marteaux

Instructions de sécurité pour toutes les opérations

- ▶ **Porter des protecteurs d'oreilles.** L'exposition au bruit peut provoquer une perte de l'audition.
- ▶ **Utiliser la ou les poignées auxiliaires, si l'outil en est équipé.** Toute perte de contrôle peut entraîner des dommages corporels.
- ▶ **Tenir l'outil électrique par des surfaces de préhension isolées au cours d'une opération où l'accessoire de coupe ou les vis peut être en contact avec des fils dissimulés ou son propre câble.** Des accessoires de coupe en contact avec un fil "sous tension" peuvent mettre des parties métalliques exposées de l'outil électrique "sous tension" et provoquer un choc électrique chez l'opérateur.

Instructions de sécurité lors de l'utilisation de longs forets avec des marteaux rotatifs

- ▶ **Toujours commencer à percer à faible vitesse et avec la pointe du foret en contact avec la pièce à usiner.** A des vitesses plus élevées, la pointe est susceptible de se plier s'il lui est permis de tourner librement sans entrer en

contact avec la pièce à usiner, entraînant des dommages corporels.

- ▶ **Appliquer la pression uniquement en ligne directe avec la pointe et ne pas appliquer de pression excessive.** Les pointes peuvent se plier et provoquer une rupture ou une perte de contrôle, entraînant des dommages corporels.

Consignes de sécurité additionnelles

- ▶ **Arrêtez immédiatement l'outil électroportatif dès que l'accessoire se bloque. Attendez-vous à des couples de réaction importants causant des rebonds.** L'accessoire se bloque quand il reste coincé dans la pièce ou quand l'outil électroportatif est en surcharge.
- ▶ **Utilisez un détecteur approprié pour vérifier s'il n'y a pas de conduites cachées ou contactez votre société de distribution d'eau locale.** Tout contact avec des câbles électriques peut provoquer un incendie ou un choc électrique. Tout endommagement d'une conduite de gaz peut provoquer une explosion. La perforation d'une conduite d'eau provoque des dégâts matériels et peut provoquer un choc électrique.
- ▶ **Avant de poser l'outil électroportatif, attendez que celui-ci soit complètement à l'arrêt.** L'outil risque de se coincer, ce qui entraînerait une perte de contrôle de l'outil électroportatif.
- ▶ **Bloquez la pièce à travailler.** Une pièce à travailler serrée par des dispositifs de serrage appropriés ou dans un étau est fixée de manière plus sûre que quand elle est tenue avec une main.
- ▶ **Ne touchez pas les accessoires ou pièces adjacentes du carter juste après l'utilisation de l'outil électroportatif.** Ils peuvent devenir très chauds et causer des brûlures.
- ▶ **L'accessoire de travail peut se bloquer lors des perçages. Tenez fermement l'outil électroportatif des deux mains et veillez à toujours travailler dans une position stable.** Vous risquez sinon de perdre le contrôle de l'outil électroportatif.
- ▶ **Soyez prudent lors de travaux de démolition avec un burin.** Les fragments de matériau qui se détachent risquent de vous blesser et de blesser les personnes qui se trouvent à proximité.

Description des prestations et du produit



Lisez attentivement toutes les instructions et consignes de sécurité. Le non-respect des instructions et consignes de sécurité peut provoquer un choc électrique, un incendie et/ou entraîner de graves blessures.

Référez-vous aux illustrations qui se trouvent à l'avant de la notice d'utilisation.

Utilisation conforme

Cet outil électroportatif est destiné aux travaux de perforation dans le béton, la brique et la pierre naturelle ainsi qu'aux travaux de burinage légers. Il convient aussi pour les perçages sans percussion dans le bois, le métal, la céramique et les matières plastiques. Les outils électroportatifs avec régulation électronique et réversibilité rotation droite/gauche sont également appropriés pour le vissage.

Éléments constitutifs

La numérotation des éléments de l'appareil se réfère à la représentation de l'outil électroportatif sur la page graphique.

- (1) Mandrin automatique^{a)}
- (2) Mandrin SDS plus
- (3) Porte-outil SDS plus
- (4) Capuchon anti-poussière
- (5) Bague de verrouillage
- (6) Bouton de blocage de l'interrupteur Marche/Arrêt
- (7) Interrupteur Marche/Arrêt
- (8) Sélecteur de sens de rotation
- (9) Bouton de déverrouillage du sélecteur stop de rotation/stop de frappe
- (10) Sélecteur stop de rotation/stop de frappe
- (11) Bouton de réglage de butée de profondeur
- (12) Poignée supplémentaire (surface de préhension isolée)
- (13) Butée de profondeur
- (14) Poignée (surface de préhension isolée)
- (15) Vis de blocage du mandrin à clé^{a)}
- (16) Mandrin à clé^{a)}
- (17) Adaptateur SDS plus pour mandrin^{a)}
- (18) Bague avant du mandrin automatique^{a)}
- (19) Bague arrière du mandrin automatique^{a)}
- (20) Ouverture d'aspiration du Saugfix (set d'aspiration)^{a)}
- (21) Vis de serrage du Saugfix^{a)}
- (22) Butée de profondeur du Saugfix^{a)}
- (23) Tige télescopique du Saugfix^{a)}
- (24) Vis papillon du Saugfix^{a)}
- (25) Fourreau de guidage du Saugfix^{a)}
- (26) Porte-outil universel avec adaptateur SDS plus^{a)}

a) Les accessoires décrits ou illustrés ne sont pas tous compris dans la fourniture. Vous trouverez les accessoires complets dans notre gamme d'accessoires.

Caractéristiques techniques

| Perforateur | GBH 220 | |
|-----------------------------|---------------|-----|
| Référence | 3 611 BA6 0.. | |
| Puissance absorbée nominale | W | 720 |

| Perforateur | GBH 220 | |
|--|-------------------|---------|
| Fréquence de frappe | min ⁻¹ | 0-4 800 |
| Force de frappe selon EPTA-Procédure 05:2016 | J | 2,0 |
| Régime à vide | tr/min | 0-2 000 |
| Porte-outil | SDS-plus | |
| Diamètre du collet de broche | mm | 48,5 |
| Diamètre de perçage maxi | | |
| - Béton ^{A)} | mm | 22 |
| - Acier | mm | 13 |
| - Bois | mm | 30 |
| Poids selon EPTA-Procédure 01:2014 | kg | 2,3 |
| Indice de protection | □ / II | |

A) Performances optimales pour diamètres de perçage 6-12 mm. Les données indiquées sont valables pour une tension nominale [U] de 230 V. Elles peuvent varier lorsque la tension diffère de cette valeur et sur certaines versions destinées à certains pays.

Informations sur le niveau sonore/les vibrations

Valeurs d'émissions sonores déterminées conformément à **EN 62841-2-6**.

Le niveau sonore en dB(A) typique de l'outil électroportatif est de : niveau de pression acoustique **94** dB(A) ; niveau de puissance acoustique **105** dB(A). Incertitude K = **3** dB.

Portez un casque antibruit !

Valeurs globales de vibration a_n (somme vectorielle sur les trois axes) et incertitude K conformément à **EN 62841-2-6** :

Perforation dans le béton : $a_n = 14,2$ m/s², K = **1,5** m/s²,
 Burinage : $a_n = 13,7$ m/s², K = **1,5** m/s².

Le niveau de vibration et la valeur d'émission sonore indiqués dans cette notice d'utilisation ont été mesurés selon une procédure de mesure normalisée et peuvent être utilisés pour établir une comparaison entre différents outils électroportatifs. Ils peuvent aussi servir de base à une estimation préliminaire du taux de vibration et du niveau sonore.

Le niveau de vibration et la valeur d'émission sonore indiqués s'appliquent pour les utilisations principales de l'outil électroportatif. Si l'outil électroportatif est utilisé pour d'autres applications, avec d'autres accessoires de travail ou sans avoir fait l'objet d'un entretien régulier, le niveau de vibration et la valeur d'émission sonore peuvent différer. Il peut en résulter des vibrations et un niveau sonore nettement plus élevés pendant toute la durée de travail.

Pour une estimation précise du niveau de vibration et du niveau sonore, il faut aussi prendre en considération les périodes pendant lesquelles l'outil est éteint ou bien en marche sans être vraiment en action. Il peut en résulter au final un niveau de vibration et un niveau sonore nettement plus faibles pendant toute la durée de travail.

Prévoyez des mesures de protection supplémentaires permettant de protéger l'utilisateur de l'effet des vibrations, par exemple : maintenance de l'outil électroportatif et des acces-

soires de travail, maintien des mains au chaud, organisation des procédures de travail.

Montage

- **Débranchez le câble d'alimentation de la prise avant d'effectuer des travaux quels qu'il soient sur l'outil électroportatif.**

Poignée supplémentaire

- **N'utilisez pas l'outil électroportatif sans la poignée supplémentaire (12).**
- **Assurez-vous que la poignée supplémentaire est bien serrée.** Vous risquez sinon de perdre le contrôle de l'outil électroportatif.

Pivotement de la poignée supplémentaire (voir figure A)

La poignée supplémentaire (12) peut être orientée dans n'importe quelle position, pour obtenir une position de travail sûre et peu fatigante.

- Tournez la poignée supplémentaire (12) dans le sens antihoraire et orientez la poignée supplémentaire (12) dans la position souhaitée. Resserez ensuite la poignée supplémentaire (12) en la tournant dans le sens horaire. Veillez à ce que le collier de serrage de la poignée supplémentaire se trouve bien dans la rainure du carter prévue à cet effet.

Choix du mandrin et des accessoires

Pour les travaux de perforation et burinage, il est nécessaire d'utiliser des accessoires SDS-plus et le mandrin SDS-plus.

Pour les travaux de perçage sans percussion dans le bois, le métal, la céramique ou les plastiques, ainsi que pour le vissage, il convient d'utiliser des accessoires sans système SDS-plus (p. ex. forets à queue cylindrique). Pour ce type d'accessoire, il vous faut utiliser soit un mandrin automatique, soit un mandrin à couronne dentée.

Changement de mandrin

Montage du mandrin automatique/mandrin à clé (voir figure B)

- Vissez l'adaptateur SDS-plus (17) dans un mandrin automatique (1)/mandrin à clé (16). Sécurisez le mandrin automatique (1)/mandrin à clé (16) à l'aide de la vis de blocage (15). **Remarque : La vis de blocage a un filetage à gauche.**

Insertion du mandrin automatique/mandrin à clé (voir figure B)

- Nettoyez l'extrémité de l'adaptateur SDS plus (17) et graissez-la légèrement.
- Insérez en effectuant un mouvement rotatif le mandrin automatique (1)/mandrin à clé (16) avec l'adaptateur SDS plus dans le porte-outil jusqu'à ce qu'il se verrouille automatiquement.
- Tirez sur le mandrin automatique (1)/mandrin à clé (16) pour vérifier qu'il est bien verrouillé.

Retrait du mandrin automatique/mandrin à clé

- Poussez la bague de verrouillage (5) vers l'arrière et retirez le mandrin automatique (1)/mandrin à clé (16).

Changement d'accessoire

Le capuchon anti-poussière (4) empêche dans une large mesure la poussière de pénétrer dans le porte-outil pendant l'utilisation de l'outil électroportatif. Lors du montage de l'accessoire de travail, veillez à ne pas endommager le capuchon anti-poussière (4).

- **Remplacez immédiatement le capuchon anti-poussière s'il est endommagé. Il est recommandé de faire effectuer ce travail dans un centre de service après-vente.**

Changement d'accessoire (SDS plus)

Montage d'un accessoire de travail SDS-plus (voir figure C)

Le mandrin SDS-plus permet de remplacer l'accessoire de travail facilement et confortablement sans avoir à utiliser de clé supplémentaire.

- Nettoyez l'extrémité de l'accessoire, et graissez-la légèrement.
- Introduisez l'accessoire de travail dans le porte-outil en le tournant jusqu'à ce qu'il se verrouille automatiquement.
- Tirez sur l'accessoire pour vérifier qu'il est bien bloqué.

Avec ce système de fixation, l'accessoire de travail SDS-plus dispose d'une certaine mobilité. Il en résulte lors de la rotation à vide une excentricité qui n'a cependant aucun effet sur l'exactitude du perçage puisque le foret se centre automatiquement pendant le perçage.

Démontage d'un accessoire de travail SDS-plus (voir figure D)

- Poussez la bague de verrouillage (5) vers l'arrière et sortez l'accessoire de travail.

Changement du mandrin interchangeable à serrage rapide

Mise en place d'un accessoire de travail (voir figure E)

Remarque : N'utilisez pas d'accessoires non SDS plus pour perforeur ou buriner ! Les accessoires non SDS plus et leur mandrin seraient endommagés lors des travaux de perforation ou burinage.

- Montez le mandrin de perçage à serrage rapide (1).
- Tenez la bague arrière (19) du mandrin de perçage à serrage rapide (1) et tournez la bague avant (18) dans le sens antihoraire jusqu'à ce que l'outil puisse être monté. Insérez l'accessoire de travail.
- Tenez la bague arrière du mandrin de perçage à serrage rapide (1) et tournez fermement la bague avant dans le sens horaire jusqu'à ce qu'aucun déclic ne soit audible. Le mandrin se verrouille alors automatiquement.
- Vérifiez que l'accessoire est bien fixé en tirant dessus.

Remarque : Si le porte-outil a été ouvert à fond, il est possible qu'un bruit de cliquet soit audible lorsque vous essayez de fermer le porte-outil et que le porte-outil ne se ferme pas.

Dans un tel cas, tournez la bague avant une fois dans le sens opposé à la flèche. Il est ensuite possible de fermer le porte-outil normalement.

- Tournez le sélecteur stop de rotation/de frappe (10) dans la position « Perçage ».

Retrait d'un accessoire de travail (voir figure F)

- Tenez fermement la bague arrière (19) du mandrin automatique. En tournant la bague avant, ouvrez le porte-outil dans le sens de la flèche jusqu'à ce que l'accessoire puisse être extrait.

Aspiration de poussières/de copeaux

Les poussières de matériaux tels que peintures contenant du plomb, certains bois, minéraux ou métaux, peuvent être nuisibles à la santé. Le contact avec les poussières ou leur inhalation peut entraîner des réactions allergiques et/ou des maladies respiratoires auprès de l'utilisateur ou des personnes se trouvant à proximité.

Certaines poussières telles que les poussières de chêne ou de hêtre sont considérées comme cancérigènes, surtout en association avec des additifs pour le traitement du bois (chromate, lasure). Les matériaux contenant de l'amiante ne doivent être travaillés que par des personnes qualifiées.

- Si possible, utilisez un dispositif d'aspiration des poussières approprié au matériau.
- Veillez à bien aérer la zone de travail.
- Il est recommandé de porter un masque respiratoire avec un niveau de filtration de classe P2.

Respectez les règlements spécifiques aux matériaux à traiter en vigueur dans votre pays.

- **Évitez toute accumulation de poussières sur le lieu de travail.** Les poussières peuvent facilement s'enflammer.

Aspiration des poussières avec set d'aspiration (accessoire)

Montage du dispositif d'aspiration (voir figure G)

Pour l'aspiration des poussières, un set d'aspiration (accessoire) est nécessaire. Pendant le perçage, le set d'aspiration s'écarte automatiquement de manière à ce que la tête d'aspiration soit toujours très près de la surface usinée.

- Appuyez sur le bouton de réglage de la butée de profondeur (11) et retirez la butée de profondeur (13). Appuyez de nouveau sur le bouton (11) et insérez le set d'aspiration par l'avant dans la poignée supplémentaire (12).
- Raccordez un flexible d'aspiration (diamètre 19 mm, accessoire) à l'ouverture d'aspiration (20) du set d'aspiration.

L'aspirateur doit être conçu pour le type de matériau à poncer.

Pour l'aspiration de poussières particulièrement nuisibles à la santé, cancérigènes ou sèches, utilisez un aspirateur spécial.

Réglage de la profondeur de perçage sur le set d'aspiration (voir figure H)

Vous pouvez aussi régler la profondeur de perçage X souhaitée une fois que le set d'aspiration est monté.

- Poussez à fond l'accessoire de travail SDS-plus dans le porte-outil SDS-plus (3). Si l'accessoire SDS-plus n'est pas poussé à fond, le réglage de la profondeur de perçage risque d'être faussé.
- Desserrez la vis papillon du set d'aspiration (24).
- Appuyez fermement l'outil électroportatif éteint contre la surface, à l'endroit où le trou doit être percé. L'accessoire de travail SDS-plus doit toucher la surface.
- Glissez le tube de guidage (25) set d'aspiration dans son support de façon à ce que la tête d'aspiration appuie contre la surface à percer. Ne poussez pas le tuyau de guidage (25) plus que nécessaire par dessus le tube télescopique (23), de sorte qu'une grande partie de l'échelle graduée du tube télescopique (23) reste visible.
- Resserrez la vis papillon (24). Desserrez la vis de serrage (21) sur la butée de profondeur du set d'aspiration.
- Déplacez la butée de profondeur (22) sur le tube télescopique (23) jusqu'à ce que la distance X indiquée sur l'illustration corresponde à la profondeur de perçage souhaitée.
- Serrez la vis de serrage (21) dans cette position.

Fonctionnement

Mise en marche

- **Tenez compte de la tension du réseau ! La tension de la source de courant doit correspondre aux indications se trouvant sur la plaque signalétique de l'outil électroportatif. Les outils électroportatifs marqués 230 V peuvent également fonctionner sur 220 V.**

Sélection d'un mode de fonctionnement

Sélectionnez le mode de fonctionnement voulu de l'outil électroportatif avec le sélecteur stop de rotation/de frappe (10).

- Pour changer de mode de fonctionnement, appuyez sur le bouton de déverrouillage (9) et tournez le sélecteur stop de rotation/de frappe (10) dans la position voulue jusqu'à ce qu'il s'enclenche.

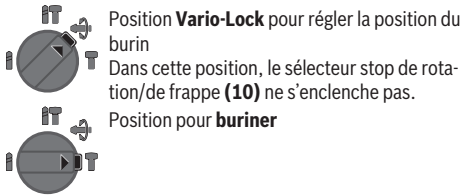
Remarque : ne changez de mode de fonctionnement que lorsque l'outil électroportatif est éteint ! Vous risqueriez d'endommager l'outil électroportatif.



Position pour **perforer** dans le béton et dans la pierre naturelle



Position pour **percer** sans percussion dans le bois, le métal, la céramique ou les matières plastiques ainsi que pour **visser**



Position **Vario-Lock** pour régler la position du burin

Dans cette position, le sélecteur stop de rotation/de frappe **(10)** ne s'enclenche pas.

Position pour **buriner**

Sélection du sens de rotation (voir figure I)

Le sélecteur de sens de rotation **(8)** permet d'inverser le sens de rotation de l'outil électroportatif. Cela n'est toutefois pas possible lorsque l'on appuie sur l'interrupteur Marche/Arrêt **(7)**.

► N'actionnez le sélecteur de sens de rotation **(8)** que quand l'outil électroportatif est à l'arrêt.

Sélectionnez toujours la rotation droite pour les travaux de perforation, perçage et burinage.

- **Rotation droite** : Pour percer et visser, poussez le sélecteur de sens de rotation **(8)** jusqu'en butée vers la gauche.
- **Rotation gauche** : Pour desserrer ou dévisser des vis et des écrous, poussez le sélecteur de sens de rotation **(8)** à fond vers la droite.

Mise en marche/arrêt

- Pour **mettre en marche** l'outil électroportatif, appuyez sur l'interrupteur Marche/Arrêt **(7)**.
- Pour **bloquer** l'interrupteur Marche/Arrêt **(7)**, maintenez celui-ci appuyé et appuyez en même temps sur le bouton de blocage **(6)**.
- Pour **arrêter** l'outil électroportatif, relâchez l'interrupteur Marche/Arrêt **(7)**. Si l'interrupteur Marche/Arrêt **(7)** est bloqué, appuyez d'abord dessus et relâchez-le ensuite.

Réglage de la vitesse de rotation/de la fréquence de frappe

Vous pouvez modifier en continu la vitesse de rotation/fréquence de frappe de l'outil électroportatif en jouant sur la pression exercée sur l'interrupteur Marche/Arrêt **(7)**.

Une légère pression sur l'interrupteur Marche/Arrêt **(7)** produit une faible vitesse de rotation/fréquence de frappe. Plus l'on exerce de pression, plus la vitesse de rotation/la fréquence de frappe augmente.

Changement de la position du burin (Vario-Lock)

Il est possible de bloquer le burin dans **13** positions. Ceci permet de toujours travailler dans une position optimale.

- Insérez le burin dans le porte-outil.
- Tournez le sélecteur stop de rotation/de frappe **(10)** dans la position « Vario-Lock ».
- Tournez le burin jusqu'à ce qu'il se trouve dans la position souhaitée.
- Tournez le sélecteur stop de rotation/de frappe **(10)** dans la position « burinage ». Le porte-outil est alors bloqué.
- Pour buriner, sélectionnez la rotation droite.

Burinage avec fonction de blocage

Pour les travaux de burinage longs, vous avez la possibilité dans le mode « Burinage » de bloquer l'interrupteur Marche/Arrêt **(7)** pour ne pas avoir à le maintenir constamment actionné.

- Pour **bloquer** l'interrupteur Marche/Arrêt **(7)**, enfoncez-le jusqu'en butée tout en appuyant sur le bouton de blocage **(6)**.
- Pour arrêter, actionnez à nouveau le bouton de blocage **(6)**.

Remarque : Si vous changez de mode de fonctionnement alors que l'interrupteur Marche/Arrêt est bloqué, l'outil électroportatif s'arrête.

Instructions d'utilisation

► Positionnez l'outil électroportatif sur la vis/sur l'écrou seulement lorsqu'il est à l'arrêt. Un accessoire en rotation risque de glisser.

Réglage de la profondeur de perçage (voir figure J)

La butée de profondeur **(13)** permet de régler la profondeur de perçage **X** désirée.

- Appuyez sur le bouton de réglage de butée de profondeur **(11)** et insérez la butée de profondeur dans la poignée supplémentaire **(12)**.
Le striage de la butée de profondeur **(13)** doit être orienté vers le bas.
- Poussez à fond l'accessoire de travail SDS-plus dans le porte-outil SDS-plus **(3)**. Si l'accessoire SDS-plus n'est pas poussé à fond, le réglage de la profondeur de perçage risque d'être faussé.
- Tirez la butée de profondeur jusqu'à ce que l'écart entre la pointe du foret et la pointe de la butée de profondeur corresponde à la profondeur de perçage **X** souhaitée.

Débrayage de sécurité

- **Dès que l'accessoire de travail se coince ou qu'il s'accroche, l'entraînement de la broche est interrompu. En raison des forces intervenant, tenez toujours l'outil électroportatif fermement avec les deux mains et ayez une position ferme.**
- **Si l'outil électroportatif est bloqué, éteignez-le et desserrez l'outil de travail. Lorsqu'on met l'appareil en marche, l'outil de travail étant bloqué, il peut y avoir de fortes réactions.**

Montage des embouts de vissage (voir figure K)

► Positionnez l'outil électroportatif sur la vis/sur l'écrou seulement lorsqu'il est à l'arrêt. Un accessoire en rotation risque de glisser.

L'utilisation d'embouts de vissage nécessite de disposer d'un porte-outil universel **(26)** avec mécanisme de fixation SDS-plus (accessoire).

- Nettoyez l'emmanchement du dispositif de fixation et graissez-le légèrement.
- Enfoncez le porte-outil universel en le tournant dans le porte-outil jusqu'à ce qu'il verrouille automatiquement.

- Contrôlez qu'il est bien verrouillé en tirant sur le porte-outil universel.
- Mettez un embout de vissage dans le porte-outil universel. N'utilisez que des embouts de vissage appropriés à la tête de vis que vous voulez utiliser.
- Pour démonter le porte-outil universel, poussez la bague de verrouillage (5) vers l'arrière et retirez le porte-outil universel (26) du porte-outil.



Ne jetez pas les outils électroportatifs avec les ordures ménagères !



Entretien et Service après-vente

Nettoyage et entretien

- ▶ **Débranchez le câble d'alimentation de la prise avant d'effectuer des travaux quels qu'il soient sur l'outil électroportatif.**
- ▶ **Tenez toujours propres l'outil électroportatif ainsi que les fentes de ventilation afin d'obtenir un travail impeccable et sûr.**

Dans le cas où il s'avère nécessaire de remplacer le câble d'alimentation, confiez le remplacement à **Bosch** ou une station de Service Après-Vente agréée pour outillage **Bosch** afin de ne pas compromettre la sécurité.

- ▶ **Remplacez immédiatement le capuchon anti-poussière s'il est endommagé. Il est recommandé de faire effectuer ce travail dans un centre de service après-vente.**

- Nettoyez le porte-outil (3) après chaque utilisation.

Service après-vente et conseil utilisateurs

Notre Service après-vente répond à vos questions concernant la réparation et l'entretien de votre produit et les pièces de rechange. Vous trouverez des vues éclatées et des informations sur les pièces de rechange sur le site : www.bosch-pt.com

L'équipe de conseil utilisateurs Bosch se tient à votre disposition pour répondre à vos questions concernant nos produits et leurs accessoires.

Pour toute demande de renseignement ou toute commande de pièces de rechange, précisez impérativement la référence à 10 chiffres figurant sur l'étiquette signalétique du produit.

Maroc

Robert Bosch Morocco SARL
53, Rue Lieutenant Mahroud Mohamed
20300 Casablanca
Tel.: +212 5 29 31 43 27
E-Mail : sav.outillage@ma.bosch.com

Vous trouverez d'autres adresses du service après-vente sous :

www.bosch-pt.com/serviceaddresses

Élimination des déchets

Les outils électroportatifs, ainsi que leurs accessoires et emballages, doivent pouvoir suivre chacun une voie de recyclage appropriée.

Português

Instruções de segurança

Instruções gerais de segurança para ferramentas eléctricas

AVISO

Devem ser lidas todas as indicações de segurança,

instruções, ilustrações e especificações desta ferramenta eléctrica. O desrespeito das instruções apresentadas abaixo poderá resultar em choque eléctrico, incêndio e/ou ferimentos graves.

Guarde bem todas as advertências e instruções para futura referência.

O termo "ferramenta eléctrica" utilizado a seguir nas indicações de advertência, refere-se a ferramentas eléctricas operadas com corrente de rede (com cabo de rede) e a ferramentas eléctricas operadas com acumulador (sem cabo de rede).

Segurança da área de trabalho

- ▶ **Mantenha a sua área de trabalho sempre limpa e bem iluminada.** Desordem ou áreas de trabalho insuficientemente iluminadas podem levar a acidentes.
- ▶ **Não trabalhar com a ferramenta eléctrica em áreas com risco de explosão, nas quais se encontrem líquidos, gases ou pós inflamáveis.** Ferramentas eléctricas produzem faíscas, que podem inflamar pós ou vapores.
- ▶ **Manter crianças e outras pessoas afastadas da ferramenta eléctrica durante a utilização.** No caso de distração é possível que perca o controlo sobre o aparelho.

Segurança eléctrica

- ▶ **A ficha de conexão da ferramenta eléctrica deve caber na tomada. A ficha não deve ser modificada de maneira alguma. Não utilizar uma ficha de adaptação junto com ferramentas eléctricas protegidas por ligação à terra.** Fichas não modificadas e tomadas apropriadas reduzem o risco de um choque eléctrico.
- ▶ **Evitar que o corpo possa entrar em contacto com superfícies ligadas à terra, como tubos, aquecimentos, fogões e frigoríficos.** Há um risco elevado devido a um choque eléctrico, se o corpo estiver ligado à terra.

- ▶ **Manter o aparelho afastado de chuva ou humidade.** A infiltração de água numa ferramenta eléctrica aumenta o risco de choque eléctrico.
- ▶ **Não deverá utilizar o cabo para outras finalidades. Nunca utilizar o cabo para transportar a ferramenta eléctrica, para pendurá-la, nem para puxar a ficha da tomada. Manter o cabo afastado do calor, do óleo, de arestas afiadas ou de peças em movimento.** Cabos danificados ou emaranhados aumentam o risco de um choque eléctrico.
- ▶ **Se trabalhar com uma ferramenta eléctrica ao ar livre, só deverá utilizar cabos de extensão apropriados para áreas exteriores.** A utilização de um cabo de extensão apropriado para áreas exteriores reduz o risco de um choque eléctrico.
- ▶ **Se não for possível evitar o funcionamento da ferramenta eléctrica em áreas húmidas, deverá ser utilizado um disjuntor de corrente de avaria.** A utilização de um disjuntor de corrente de avaria reduz o risco de um choque eléctrico.

Segurança de pessoas

- ▶ **Esteja atento, observe o que está a fazer e tenha prudência ao trabalhar com a ferramenta eléctrica. Não utilizar uma ferramenta eléctrica quando estiver fatigado ou sob a influência de drogas, álcool ou medicamentos.** Um momento de descuido ao utilizar a ferramenta eléctrica, pode levar a lesões graves.
- ▶ **Utilizar equipamento de protecção individual. Utilizar sempre óculos de protecção.** A utilização de equipamento de protecção pessoal, como máscara de protecção contra pó, sapatos de segurança antiderrapantes, capacete de segurança ou protecção auricular, de acordo com o tipo e aplicação da ferramenta eléctrica, reduz o risco de lesões.
- ▶ **Evitar uma colocação em funcionamento involuntária. Assegure-se de que a ferramenta eléctrica esteja desligada, antes de conectá-la à alimentação de rede e/ou ao acumulador, antes de levantá-la ou de transportá-la.** Se tiver o dedo no interruptor ao transportar a ferramenta eléctrica ou se o aparelho for conectado à alimentação de rede enquanto estiver ligado, poderão ocorrer acidentes.
- ▶ **Remover ferramentas de ajuste ou chaves de boca antes de ligar a ferramenta eléctrica.** Uma ferramenta ou chave que se encontre numa parte do aparelho em movimento pode levar a lesões.
- ▶ **Evite uma posição anormal. Mantenha uma posição firme e mantenha sempre o equilíbrio.** Desta forma é mais fácil controlar a ferramenta eléctrica em situações inesperadas.
- ▶ **Usar roupa apropriada. Não usar roupa larga nem jóias. Mantenha os cabelos e roupas afastados de peças em movimento.** Roupas frouxas, cabelos longos ou jóias podem ser agarrados por peças em movimento.
- ▶ **Se for possível montar dispositivos de aspiração ou de recolha, assegure-se de que estejam conectados e**

utilizados correctamente. A utilização de uma aspiração de pó pode reduzir o perigo devido ao pó.

- ▶ **Não deixe que a familiaridade resultante de uma utilização frequente de ferramentas permita que você se torne complacente e ignore os princípios de segurança da ferramenta.** Uma acção descuidada pode causar ferimentos graves numa fracção de segundo.

Utilização e manuseio cuidadoso de ferramentas eléctricas

- ▶ **Não sobrecarregue a ferramenta eléctrica. Utilize a ferramenta eléctrica apropriada para o seu trabalho.** É melhor e mais seguro trabalhar com a ferramenta eléctrica apropriada na área de potência indicada.
- ▶ **Não utilizar uma ferramenta eléctrica com um interruptor defeituoso.** Uma ferramenta eléctrica que não pode mais ser ligada nem desligada, é perigosa e deve ser reparada.
- ▶ **Puxar a ficha da tomada e/ou remover o acumulador, se amovível, antes de executar ajustes na ferramenta eléctrica, de substituir acessórios ou de guardar as ferramentas eléctricas.** Esta medida de segurança evita o arranque involuntário da ferramenta eléctrica.
- ▶ **Guardar ferramentas eléctricas não utilizadas fora do alcance de crianças e não permitir que as pessoas que não estejam familiarizadas com o aparelho ou que não tenham lido estas instruções utilizem o aparelho.** Ferramentas eléctricas são perigosas se forem utilizadas por pessoas inexperientes.
- ▶ **Tratar a ferramenta eléctrica e os acessórios com cuidado. Controlar se as partes móveis do aparelho funcionam perfeitamente e não emperram, e se há peças quebradas ou danificadas que possam prejudicar o funcionamento da ferramenta eléctrica. Permitir que peças danificadas sejam reparadas antes da utilização.** Muitos acidentes têm como causa, a manutenção insuficiente de ferramentas eléctricas.
- ▶ **Manter as ferramentas de corte afiadas e limpas.** Ferramentas de corte cuidadosamente tratadas e com cantos de corte afiados emperram com menos frequência e podem ser conduzidas com maior facilidade.
- ▶ **Utilizar a ferramenta eléctrica, acessórios, ferramentas de aplicação, etc. conforme estas instruções. Considerar as condições de trabalho e a tarefa a ser executada.** A utilização de ferramentas eléctricas para outras tarefas a não ser as aplicações previstas, pode levar a situações perigosas.
- ▶ **Mantenha os punhos e as superfícies de agarrar secas, limpas e livres de óleo e massa consistente.** Punhos e superfícies de agarrar escorregadias não permitem o manuseio e controle seguros da ferramenta em situações inesperadas.

Serviço

- ▶ **Só permita que o seu aparelho seja reparado por pessoal especializado e qualificado e só com peças de reposição originais.** Desta forma é assegurado o funcionamento seguro do aparelho.

Instruções de segurança para martelos

Instruções de segurança para todas as operações

- ▶ **Use protetores auditivos.** A exposição ao ruído pode provocar a perda da audição.
- ▶ **Use o(s) punho(s) auxiliar(es), caso seja(m) fornecido(s) com a ferramenta.** A perda de controlo pode resultar em ferimentos pessoais.
- ▶ **Segure a ferramenta elétrica nas superfícies de agarrar isoladas, ao executar uma operação onde o acessório de corte ou os parafusos possam entrar em contacto com cabos escondidos ou com o próprio cabo.** Se o acessório de corte e os parafusos entrarem em contacto com um fio "sob tensão", as partes metálicas expostas da ferramenta elétrica ficam "sob tensão" e podem produzir um choque elétrico.

Instruções de segurança ao usar brocas longas com martelos perfuradores

- ▶ **Comece sempre a perfurar a baixa velocidade e com a ponta da broca em contacto com a peça de trabalho.** A velocidades mais altas, a broca pode dobrar-se ao rodar livremente sem entrar em contacto com a peça de trabalho, causando ferimento pessoal.
- ▶ **Aplique pressão apenas em linha direta com a broca e não aplique pressão excessiva.** As brocas podem dobrar-se, causando rutura ou perda de controlo, ou mesmo ferimento pessoal.

Instruções de segurança adicionais

- ▶ **Desligue a ferramenta de imediato se a ferramenta de trabalho encravar. Esteja atento aos binários de reação que podem dar origem a contragolpes.** O acessório acoplável fica encravado se a ferramenta elétrica for sobrecarregada ou se ficar emperrada na peça a ser trabalhada.
- ▶ **Utilizar detetores apropriados, para encontrar cabos escondidos, ou consulte a companhia elétrica local.** O contacto com cabos elétricos pode provocar fogo e choques elétricos. Danos em tubos de gás podem levar à explosão. A penetração num cano de água causa danos materiais ou pode provocar um choque elétrico.
- ▶ **Esperre que a ferramenta elétrica pare completamente, antes de depositá-la.** A ferramenta de aplicação pode emperrar e levar à perda de controlo sobre a ferramenta elétrica.
- ▶ **Fixar a peça a ser trabalhada.** Uma peça a ser trabalhada fixa com dispositivos de aperto ou com torno de bancada está mais firme do que segurada com a mão.
- ▶ **Logo a seguir à operação não toque nos acessórios ou em peças da carcaça adjacentes.** Estes podem ficar muito quentes durante a operação e causar queimaduras.
- ▶ **O acessório pode bloquear durante a perfuração. Durante o trabalho, providencie uma estabilidade segura e segure o aparelho com as duas mãos.** Caso contrário poderá perder o controlo sobre a ferramenta elétrica.

- ▶ **Tenha cuidado nos trabalhos de demolição com o cinzel.** Fragmentos do material de demolição podem ferir pessoas à volta ou a própria pessoa.

Descrição do produto e do serviço



Leia todas as instruções de segurança e instruções. A inobservância das instruções de segurança e das instruções pode causar choque elétrico, incêndio e/ou ferimentos graves.

Respeite as figuras na parte da frente do manual de instruções.

Utilização adequada

A ferramenta elétrica é destinada para furar com martelo em betão, tijolos e pedras, assim como para cinzelar. Também é apropriada para furar sem impacto em madeira, metal, cerâmica e plástico. As ferramentas elétricas com regulação eletrónica e rotação à direita/esquerda também são apropriadas para aparafusar.

Componentes ilustrados


A numeração dos componentes ilustrados refere-se à apresentação da ferramenta elétrica na página de esquemas.

- (1) Bucha de aperto rápido^{a)}
- (2) Bucha SDS plus
- (3) Encabadouro SDS plus
- (4) Capa de proteção contra pó
- (5) Bucha de travamento
- (6) Tecla de fixação para o interruptor de ligar/desligar
- (7) Interruptor de ligar/desligar
- (8) Comutador do sentido de rotação
- (9) Tecla de desbloqueio para interruptor de bloqueio de rotação/impacto
- (10) Interruptor de bloqueio de rotação/impacto
- (11) Tecla para ajuste do batente de profundidade
- (12) Punho adicional (superfície do punho isolada)
- (13) Batente de profundidade
- (14) Punho (superfície do punho isolada)
- (15) Parafuso de segurança para a bucha de coroa dentada^{a)}
- (16) Bucha de coroa dentada^{a)}
- (17) Encabadouro SDS plus para bucha^{a)}
- (18) Bucha dianteira da bucha de aperto rápido^{a)}
- (19) Bucha traseira da bucha de aperto rápido^{a)}
- (20) Abertura de aspiração Saugfix^{a)}
- (21) Parafuso de fixação Saugfix^{a)}
- (22) Batente de profundidade Saugfix^{a)}
- (23) Tubo telescópio Saugfix^{a)}

- (24) Parafuso de orelhas Saugfix^{a)}
- (25) Tubo guia Saugfix^{a)}
- (26) Suporte universal com encabadouro SDS plus^{a)}

a) **Acessórios apresentados ou descritos não pertencem ao volume de fornecimento padrão. Todos os acessórios encontram-se no nosso programa de acessórios.**

Dados técnicos

| Martelo perfurador | | GBH 220 |
|---|-------------------|--|
| Número de produto | | 3 611 BA6 0.. |
| Potência nominal absorvida | W | 720 |
| N.º de impactos | min ⁻¹ | 0–4800 |
| Intensidade de impacto individual conforme EPTA-Procedure 05:2016 | J | 2,0 |
| N.º de rotações em vazio | r.p.m. | 0–2000 |
| Encabadouro | | SDS-plus |
| Diâmetro da gola do veio | mm | 48,5 |
| Diâmetro máx. de perfuração | | |
| – Betão ^{A)} | mm | 22 |
| – Aço | mm | 13 |
| – Madeira | mm | 30 |
| Peso conforme EPTA-Procedure 01:2014 | kg | 2,3 |
| Classe de proteção | |  / II |

A) excelente rendimento com diâmetro de perfuração **6–12 mm**
Os dados aplicam-se a uma tensão nominal [U] de 230 V. Com tensões divergentes e em versões específicas do país, estes dados podem variar.

Informação sobre ruídos/vibrações

Os valores de emissão de ruído foram determinados de acordo com **EN 62841-2-6**.

O nível sonoro avaliado como A da ferramenta elétrica é normalmente de: nível de pressão sonora **94 dB(A)**; nível de potência sonora **105 dB(A)**. Incerteza K = **3 dB**.

Utilizar proteção auditiva!

Valores totais de vibração a_h (soma dos vetores das três direções) e incerteza K determinada segundo **EN 62841-2-6**:

Furar com martelo em betão: $a_h = 14,2 \text{ m/s}^2$, K = **1,5 m/s²**,
Cinzelar: $a_h = 13,7 \text{ m/s}^2$, K = **1,5 m/s²**,

O nível de vibrações indicado nestas instruções e o valor de emissões sonoras foram medidos de acordo com um processo de medição normalizado e podem ser utilizados para a comparação de ferramentas elétricas. Também são adequados para uma avaliação provisória das emissões sonoras e de vibrações.

O nível de vibrações indicado e o valor de emissões sonoras representam as aplicações principais da ferramenta elétrica. Se a ferramenta elétrica for utilizada para outras aplicações, com outras ferramentas de trabalho ou com manutenção insuficiente, é possível que o nível de vibrações e de

emissões sonoras seja diferente. Isto pode aumentar sensivelmente a emissão sonora e de vibrações para o período completo de trabalho.

Para uma estimativa exata da emissão sonora e de vibrações, também deveriam ser considerados os períodos nos quais o aparelho está desligado ou funciona, mas não está sendo utilizado. Isto pode reduzir a emissão sonora e de vibrações durante o completo período de trabalho.

Além disso também deverão ser estipuladas medidas de segurança para proteger o operador contra o efeito de vibrações, como por exemplo: manutenção de ferramentas elétricas e acessórios, manter as mãos quentes e organização dos processos de trabalho.

Montagem

► **Antes de todos trabalhos na ferramenta elétrica deverá puxar a ficha de rede da tomada.**

Punho adicional

- **Utilize a ferramenta elétrica apenas com o punho adicional (12).**
- **Certifique-se de que o punho adicional está sempre bem apertado.** Caso contrário poderá perder o controle sobre a ferramenta durante o trabalho.

Virar o punho adicional (ver figura A)

Podemos virar o punho adicional (12) à sua vontade, para obter uma posição de trabalho segura e sem fadiga.

- Rode a peça do punho do punho adicional (12) para a esquerda e vire o punho adicional (12) para a posição desejada. A seguir, volte a apertar a peça de punho inferior do punho adicional (12) para a direita. Observe que a cinta de aperto do punho adicional esteja na ranhura prevista para tal, que se encontra na carcaça da ferramenta.

Selecionar bucha e ferramentas

Para furar com martelo e para cinzelar, são necessárias ferramentas SDS-plus, que são encaixadas na bucha SDS-plus.

Para furar sem impacto em madeira, metal, cerâmica e plástico, assim como para aparafusar, são utilizadas ferramentas sem SDS-plus (p. ex. brocas com encabadouro cilíndrico). Para estas ferramentas necessita de uma bucha de aperto rápido ou bucha de coroa dentada.

Trocar a bucha

Montar a bucha de aperto rápido/bucha de coroa dentada (ver figura B)

- Enrosque o encabadouro SDS-plus (17) numa bucha de aperto rápido (1)/bucha de coroa dentada (16). Fixe a bucha de aperto rápido (1)/bucha de coroa dentada (16) com o parafuso de segurança (15). **Tenha em atenção que o parafuso de segurança tem uma rosca para a esquerda.**

Colocar a bucha de aperto rápido/bucha de coroa dentada (ver figura B)

- Limpe a haste de encaixe do encabadouro SDS plus (17) e lubrifique levemente.
- Introduza a bucha de aperto rápido (1)/bucha de coroa dentada (16) com o adaptador no encabadouro da ferramenta, girando até travar-se automaticamente.
- Puxar pela bucha de aperto rápido (1)/bucha de coroa dentada (16) para controlar o travamento.

Retirar a bucha de aperto rápido/bucha de coroa dentada

- Empurre a bucha de travamento (5) para trás e retire a bucha de aperto rápido (1)/bucha de coroa dentada (16).

Troca de ferramenta

A capa de proteção contra pó (4) evita consideravelmente que penetre pó de perfuração no encabadouro durante o funcionamento. Ao introduzir a ferramenta, certifique-se de que a capa de proteção contra pó (4) não é danificada.

- **Uma capa de proteção contra pó danificada deve ser substituída imediatamente. Recomendamos que o faça no Serviço de Assistência Técnica.**

Troca de ferramenta (SDS-plus)

Introduzir a ponta de aparafusar SDS-plus (ver figura C)

Com o mandril de substituição SDS-plus é possível trocar fácil e confortavelmente as ferramentas de trabalho, sem ter que utilizar outras ferramentas.

- Limpe a haste de encaixe da ferramenta de trabalho e lubrifique levemente.
- Introduza a ferramenta de trabalho no encabadouro, girando até travar-se automaticamente.
- Puxe a ferramenta para controlar o travamento.

A ferramenta de trabalho SDS-plus pode ser movida livremente condicionada pelo sistema. Por causa disso, ocorre um desvio de rotação em vazio. Isto não tem qualquer influência na precisão do furo, uma vez que a broca se autocentra ao furar.

Retirar a ponta de aparafusar SDS-plus (ver figura D)

- Empurre a bucha de travamento (5) para trás e retire a ponta de aparafusar.

Troca de ferramenta mandril de substituição de aperto rápido

Colocar a ferramenta de trabalho (ver figura E)

Nota: Não use ferramentas sem SDS-plus para furar com martelo ou cinzelar! As ferramentas sem SDS-plus e as respetivas buchas são danificadas ao furar com martelo e a cinzelar.

- Coloque o mandril de aperto rápido (1).
- Segure na bucha traseira (19) do mandril de aperto rápido (1) e rode a bucha dianteira (18) para a esquerda até a ferramenta poder ser inserida. Introduzir a ferramenta.
- Segure na bucha traseira do mandril de aperto rápido (1) e aperte bem à mão a bucha dianteira para a direita até

que deixe de se ouvir o som de aperto. A bucha fica assim automaticamente bloqueada.

- Puxar a ferramenta para verificar se está firme.

Nota: Se o encabadouro tiver sido aberto até ao batente, é possível que se ouça um ruído de catraca ao fechar o encabadouro e o encabadouro não se fecha.

Nesse caso, rode uma vez a bucha dianteira no sentido oposto ao da seta. Em seguida será possível fechar o encabadouro.

- Rode o interruptor de bloqueio de rotação/impacto (10) para a posição "Furar".

Retirar a ferramenta de trabalho (ver figura F)

- Segure a bucha traseira (19) da bucha de aperto rápido. Abra o encabadouro rodando a bucha dianteira no sentido da seta até ser possível remover a ferramenta.

Aspiração de pó/de aparas

Pós de materiais como por exemplo, tintas que contém chumbo, alguns tipos de madeira, minerais e metais, podem ser nocivos à saúde. O contacto ou a inalação dos pós pode provocar reações alérgicas e/ou doenças nas vias respiratórias do utilizador ou das pessoas que se encontrem por perto.

Certos pós, como por exemplo pó de carvalho e faia são considerados como sendo cancerígenos, especialmente quando juntos com substâncias para o tratamento de madeiras (cromato, produtos de proteção da madeira). Material que contém asbesto só deve ser processado por pessoal especializado.

- Se possível deverá usar um dispositivo de aspiração de pó apropriado para o material.
- Assegurar uma boa ventilação do local de trabalho.
- É recomendável usar uma máscara de proteção respiratória com filtro da classe P2.

Observe as diretivas para os materiais a serem processados, vigentes no seu país.

- **Evite a acumulação de pó no local de trabalho.** Pós podem entrar levemente em ignição.

Aspiração de pó com Saugfix (acessórios)

Montar o dispositivo de aspiração (ver figura G)

Para a aspiração de pó é necessário um Saugfix (acessório). Ao furar, o Saugfix é retraído por uma mola, de modo que a ponta do Saugfix é mantida sempre rente à superfície.

- Pressione a tecla para o ajuste do batente de profundidade (11) e retire o batente de profundidade (13). Pressione de novo a tecla (11) e insira o Saugfix pela frente no punho adicional (12).
- Ligue uma mangueira de aspiração (diâmetro 19 mm, acessório) na abertura de aspiração (20) do Saugfix.

O aspirador de pó deve ser apropriado para o material a ser trabalhado.

Utilize um aspirador especial para aspirar pó que seja extremamente nocivo à saúde, cancerígeno ou seco.

Ajustar a profundidade de perfuração no Saugfix (ver figura H)

Também pode determinar a profundidade de perfuração desejada **X** no Saugfix montado.

- Empurre a ponta de aparafusar SDS-plus até ao batente na encabadouro SDS-plus (3). Caso contrário, a mobilidade do acessório SDS-plus pode causar um ajuste errado da profundidade de perfuração.
- Solte o parafuso de orelhas (24) no Saugfix.
- Coloque a ferramenta elétrica sem a ligar na zona a furar. A ferramenta de trabalho SDS-plus tem de assentar na superfície.
- Desloque o tubo guia do (25) do Saugfix no seu suporte de forma a que a cabeça do Saugfix assente na superfície a perfurar. Não desloque o tubo guia (25) mais do que o necessário sobre o tubo telescópico (23), para que fique grande parte da escala visível no tubo telescópico (23).
- Aperte novamente o parafuso de orelhas (24). Solte o parafuso de fixação (21) no batente de profundidade do Saugfix.
- Desloque o batente de profundidade (22) no tubo telescópico (23), de forma a que a distância **X** indicada na imagem corresponda à profundidade de perfuração desejada.
- Aperte o parafuso de fixação (21) nessa posição.

Funcionamento

Colocação em funcionamento

- **Observar a tensão de rede! A tensão da fonte de corrente elétrica deve coincidir com os dados que constam na placa de características da ferramenta elétrica. Ferramentas elétricas marcadas para 230 V também podem ser operadas com 220 V.**


Ajustar o modo de operação


Com o interruptor de bloqueio de rotação/impacto (10) seleciona o modo de operação da ferramenta elétrica.


- Para mudar o modo de operação pressione a tecla de desbloqueio (9) e rode o interruptor de bloqueio de rotação/impacto (10) para a posição desejada, até ele engatar de forma audível.

Nota: mude o modo de operação apenas com a ferramenta elétrica desligada! Caso contrário a ferramenta elétrica pode ficar danificada.

 Posição para **furar com martelo** em betão ou pedra

 Posição para **furar** sem impacto em madeira, metal, cerâmica e plástico, bem como para **aparafusar**

 Posição **Vario-Lock** para ajustar a posição de cinzelamento
Nesta posição o interruptor de bloqueio de rotação/impacto (10) não engata.

 Posição para **Cinzelar**

Ajustar o sentido de rotação (ver figura I)

Com o comutador de sentido de rotação (8) é possível alterar o sentido de rotação da ferramenta elétrica. Com o interruptor de ligar/desligar pressionado (7) isto, no entanto, não é possível.

- **Acione o comutador do sentido de rotação (8) apenas com a ferramenta elétrica parada.**

Ajuste o sentido de rotação para furar com martelo, furar e cinzelar sempre na rotação à direita.

- **Rotação à direita:** Para furar e apertar parafusos prima o comutador do sentido de rotação (8) completamente para a esquerda.
- **Rotação à esquerda:** Para soltar ou retirar os parafusos e porcas pressione o comutador do sentido de rotação (8) para a direita até ao batente.

Ligar/desligar

- Para **ligar** a ferramenta elétrica, prima o interruptor de ligar/desligar (7).
- Para **fixar** o interruptor de ligar/desligar (7) pressione o mesmo e prima também o botão de fixação (6).
- Para **desligar** a ferramenta elétrica, solte o interruptor de ligar/desligar (7). Fixado o interruptor de ligar/desligar (7), prima-o primeiro e solte-o depois.

Ajustar o número de rotações/impactos

Pode regular o número de rotações/impactos da ferramenta elétrica ligada de forma contínua, consoante a pressão que faz no interruptor de ligar/desligar (7).

Uma leve pressão sobre o interruptor de ligar/desligar (7) proporciona um número de rotações/impactos baixo. Aumentando a pressão, é aumentado o n.º de rotações/impactos.

Alterar a posição do cinzel (Vario-Lock)

Pode fixar o cinzel em **13** posições. Desta forma pode escolher a melhor posição de trabalho para si.

- Introduzir o cinzel no encabadouro.
- Rode o interruptor de bloqueio de rotação/impacto (10) para a posição "Vario-Lock".
- Rode a ferramenta de trabalho para a posição do cinzel desejada.
- Rode o interruptor de bloqueio de rotação/impacto (10) para a posição "Cinzelar". Desta forma o encabadouro fica bloqueado.
- Para cinzelar, o sentido de rotação deve ser colocado na rotação à direita.

Cinzelar com função de travamento

Para cinzelar por mais tempo sem premir permanentemente o interruptor de ligar/desligar (7), fixe o interruptor de ligar/desligar no modo de operação "Cinzelar".

- Para **fixar** prima o interruptor de ligar/desligar (7) até ao batente e prima simultaneamente a tecla de fixação (6).

- Para desligar, prima novamente a tecla de fixação (6).

Nota: Se mudar para outro modo de operação enquanto o interruptor de ligar/desligar está travado, a ferramenta elétrica desliga-se.

Instruções de trabalho

- ▶ **Utilizar os punhos adicionais fornecidos com a ferramenta elétrica.** A perda de controle sobre a ferramenta elétrica pode levar a lesões.

Ajustar a profundidade de perfuração (ver figura J)

Com o batente de profundidade (13) é possível definir a profundidade de perfuração desejada X.

- Pressione a tecla para o ajuste do batente de profundidade (11) e coloque o batente de profundidade no punho adicional (12).
As estrias no batente de profundidade (13) têm de ficar viradas para baixo.
- Empurre a ponta de aparafusar SDS-plus até ao batente no encabadouro SDS-plus (3). Caso contrário, a mobilidade do acessório SDS-plus pode causar um ajuste errado da profundidade de perfuração.
- Puxe o batente de profundidade para fora até a distância entre a ponta da broca e a ponta do batente de profundidade corresponder à profundidade de perfuração X desejada.

Acoplamento de sobrecarga

- ▶ **Se o acessório emperrar ou pender, a força motriz do veio da broca é interrompida. Devido às forças que se formam, segure sempre a ferramenta elétrica bem com as duas mãos e coloque-se sobre uma base estável.**
- ▶ **Desligue a ferramenta elétrica e solte o acessório se a ferramenta elétrica encravar. Ao ligar o aparelho com uma broca bloqueada são produzidos altos momentos de reação.**

Introduzir as pontas de aparafusar (ver figura K)

- ▶ **Utilizar os punhos adicionais fornecidos com a ferramenta elétrica.** A perda de controle sobre a ferramenta elétrica pode levar a lesões.

Para utilizar as pontas de aparafusar necessita de um suporte universal (26) com adaptador SDS-plus (acessório).

- Limpe a haste de encaixe do adaptador e lubrifique levemente.
- Introduza o suporte universal no encabadouro, girando até travar-se automaticamente.
- Puxe pelo suporte universal para controlar o travamento.
- Introduza uma ponta de aparafusar no suporte universal. Só utilize pontas de aparafusar apropriadas para o cabeçote de aparafusamento.
- Para retirar o suporte universal empurre a bucha de travamento (5) para trás e retire o suporte universal (26) do encabadouro.

Manutenção e assistência técnica

Manutenção e limpeza

- ▶ **Antes de todos trabalhos na ferramenta elétrica deverá puxar a ficha de rede da tomada.**
- ▶ **Manter a ferramenta elétrica e as aberturas de ventilação sempre limpas, para trabalhar bem e de forma segura.**

Se for necessário instalar um cabo de ligação, a instalação deve ser feita pela **Bosch** ou por um centro de serviço autorizado para ferramentas elétricas **Bosch**, para evitar perigos de segurança.

- ▶ **Uma capa de proteção contra pó danificada deve ser substituída imediatamente. Recomendamos que o faça no Serviço de Assistência Técnica.**
- Limpar o encabadouro (3) depois de cada utilização.

Serviço pós-venda e aconselhamento

O serviço pós-venda responde às suas perguntas a respeito de serviços de reparação e de manutenção do seu produto, assim como das peças sobressalentes. Desenhos explodidos e informações acerca das peças sobressalentes também em: www.bosch-pt.com

A nossa equipa de consultores Bosch esclarece com prazer todas as suas dúvidas a respeito dos nossos produtos e acessórios.

Indique para todas as questões e encomendas de peças sobressalentes a referência de 10 dígitos de acordo com a placa de características do produto.

Brasil

Robert Bosch Ltda. – Divisão de Ferramentas Elétricas
Rodovia Anhanguera, Km 98 - Parque Via Norte
13065-900, CP 1195
Campinas, São Paulo
Tel.: 0800 7045 446
www.bosch.com.br/contato

Encontra outros endereços da assistência técnica em:

www.bosch-pt.com/serviceaddresses

Eliminação

Ferramentas elétricas, acessórios e embalagens devem ser enviados a uma reciclagem ecológica de matérias-primas.



Não deitar ferramentas elétricas no lixo doméstico!

中文

安全规章

电动工具通用安全警告

警告！ 阅读所有警告和所有说明！不遵照以下警告和说明会导致电击、着火和 / 或严重伤害。

保存所有警告和说明书以备查阅。

在所有下列的警告中术语“电动工具”指市电驱动（有线）电动工具或电池驱动（无线）电动工具。

工作场地的安全

- ▶ 保持工作场地清洁和明亮。混乱和黑暗的场地会引发事故。
- ▶ 不要在易爆环境，如有易燃液体、气体或粉尘的环境下操作电动工具。电动工具产生的火花会点燃粉尘或气体。
- ▶ 让儿童和旁观者离开后操作电动工具。注意力不集中会使操作者失去对工具的控制。

电气安全

- ▶ 电动工具插头必须与插座相配。绝不能以任何方式改装插头。需接地的电动工具不能使用任何转换插头。未经改装的插头和相配的插座将减少电击危险。
- ▶ 避免人体接触接地表面，如管道、散热片和冰箱。如果你身体接地会增加电击危险。
- ▶ 不得将电动工具暴露在雨中或潮湿环境中。水进入电动工具将增加电击危险。
- ▶ 不得滥用电线。绝不能用电线搬运、拉动电动工具或拔出其插头。使电线远离热源、油、锐边或运动部件。受损或缠绕的软线会增加电击危险。
- ▶ 当在户外使用电动工具时，使用适合户外使用的外接软线。适合户外使用的软线将减少电击危险。
- ▶ 如果在潮湿环境下操作电动工具是不可避免的，应使用剩余电流动作保护器（RCD）。使用RCD可减小电击危险。

人身安全

- ▶ 保持警觉，当操作电动工具时关注所从事的操作并保持清醒。当你感到疲倦，或在有药物、酒精或治疗反应时，不要操作电动工具。在操作电动工具时瞬间的疏忽会导致严重人身伤害。
- ▶ 使用个人防护装置。始终佩戴护目镜。安全装置，诸如适当条件下使用防尘面具、防滑安全鞋、安全帽、听力防护等装置能减少人身伤害。
- ▶ 防止意外起动。确保开关在连接电源和/或电池盒、拿起或搬运工具时处于关断位置。手指放在已接通电源的开关上或开关处于接通时插入插头可能会导致危险。
- ▶ 在电动工具接通之前，拿掉所有调节钥匙或扳手。遗留在电动工具旋转零件上的扳手或钥匙会导致人身伤害。

- ▶ 手不要伸展得太长。时刻注意立足点和身体平衡。这样在意外情况下能很好地控制电动工具。
- ▶ 着装适当。不要穿宽松衣服或佩戴饰品。让衣服、手套和头发远离运动部件。宽松衣服、配饰或长发可能会卷入运动部件中。
- ▶ 如果提供了与排屑、集尘设备连接用的装置，要确保他们连接完好且使用得当。使用这些装置可减少尘屑引起的危险。
- ▶ 即使由于经常使用电动工具而对此非常熟悉，也不要就认为可以高枕无忧而忽略工具的安全规定。粗心大意的行为可能在瞬间就造成严重的伤害。

电动工具使用和注意事项

- ▶ 不要滥用电动工具，根据用途使用适当的电动工具。选用适当设计的电动工具会使你工作更有效、更安全。
- ▶ 如果开关不能接通或关断工具电源，则不能使用该电动工具。不能用开关来控制的电动工具是危险的且必须进行修理。
- ▶ 在进行任何调节、更换附件或贮存电动工具之前，必须从电源上拔掉插头和/或使电池盒与工具脱开。这种防护性措施将减少工具意外起动的危险。
- ▶ 将闲置不用的电动工具贮存在儿童所及范围之外，并且不要让不熟悉电动工具或对这些说明不了解的人操作电动工具。电动工具在未经培训的用户手中是危险的。
- ▶ 保养电动工具。检查运动件是否调整到位或卡住，检查零件破损情况和影响电动工具运行的其他状况。如有损坏，电动工具应在使用前修理好。许多事故由维护不良的电动工具引发。
- ▶ 保持切削刀具锋利和清洁。保养良好的有锋利切削刃的刀具不易卡住而且容易控制。
- ▶ 按照使用说明书，考虑作业条件和进行的作业来使用电动工具、附件和工具的刀头等。将电动工具用于那些与其用途不符的操作可能会导致危险。
- ▶ 保持手柄和握持表面干燥、清洁、无油污。在突发情况下，滑溜的手柄和握持表面无法确保安全地握持和控制工具。

维修

- ▶ 将你的电动工具送交专业维修人员，使用同样的备件进行修理。这样将确保所维修的电动工具的安全性。

电锤安全规章

- ▶ 戴好耳罩。暴露在噪声中会引起听力损伤。
- ▶ 使用随工具提供的辅助手柄。操作失手会引起人身伤害。
- ▶ 在切削附件可能触及暗线或其自身软线之处进行操作时，要通过绝缘握持面来握持工具。切削附件碰到带电导线会使工具外露的金属零件带电从而使操作者受到电击。

当使用带旋转锤钻的长钻头时的安全说明

- ▶ **务必以低转速开始钻孔，并让钻头尖端与工件接触。**在较高转速下，如果让钻头在不接触工件的情况下随意旋转，很可能导致其弯折，从而引发人身伤害。
- ▶ **只在钻头的直线方向上施加压力，不要施加过大的压力。**钻头可能会弯曲，导致断裂或失去控制，造成人身伤害。

其他安全规章

- ▶ **当工具刀头被夹住时，请立即关闭电动工具。**以防反作用力矩导致反弹。当电动工具过载或向待加工工件倾斜时，工具刀头就会卡住。
- ▶ **使用合适的侦测装置侦察隐藏的电线，或者向当地的相关单位寻求支援。**接触电线可能引起火灾并让操作者触电。损坏了瓦斯管会引起爆炸。凿穿水管不仅会造成严重的财物损失，也可能导致触电。
- ▶ **等待电动工具完全静止后才能够放下机器。**机器上的工具可能在工作中被夹住，而令您无法控制电动工具。
- ▶ **固定好工件。**使用固定装置或老虎钳固定工件，会比用手持握工件更牢固。
- ▶ **切勿直接触摸运行后的工具刀头或相邻的壳体部件。**它们可能在运行期间变得很热，从而导致起火燃烧。
- ▶ **工具刀头可能会在钻孔时卡住。确保站稳并使用双手握紧电动工具。**否则您可能失去对电动工具的控制。
- ▶ **使用齿头进行破碎工作时请务必小心。**从破碎材料上掉落的碎屑可能会伤到周围人员或您自己。

产品和性能说明



请阅读所有安全规章和指示。不遵照以下警告和说明可能导致电击、着火和/或严重伤害。

请注意本使用说明书开头部分的图示。

按照规定使用

本电动工具可以在混凝土、砖墙、和石材上进行震动钻，而且也具备了简单的凿削功能。另外也适合在木材、金属、陶材和塑料上进行无冲击钻孔。有电子调节装置和正反转功能的电动工具也能够拧转螺丝。

插图上的机件

机件的编号和电动工具详解图上的编号一致。

- (1) 快速夹头^{a)}
- (2) SDS plus 钻夹头
- (3) SDS plus 工具夹头
- (4) 防尘盖
- (5) 锁定套筒
- (6) 起停开关的锁定按钮
- (7) 起停开关
- (8) 正逆转开关

- (9) 冲击/转动停止开关的解锁按键
- (10) 冲击/转动停止开关
- (11) 深度尺调节键
- (12) 辅助手柄（绝缘握柄）
- (13) 限深器
- (14) 手柄（绝缘握柄）
- (15) 齿环夹头的固定螺丝^{a)}
- (16) 齿环夹头^{a)}
- (17) 钻夹头SDS plus接头柄^{a)}
- (18) 快速夹头前套筒^{a)}
- (19) 快速夹头后套筒^{a)}
- (20) Saugfix集尘口^{a)}
- (21) Saugfix夹紧螺栓^{a)}
- (22) Saugfix深度尺^{a)}
- (23) Saugfix伸缩管^{a)}
- (24) Saugfix翼形螺栓^{a)}
- (25) Saugfix导管^{a)}
- (26) 带SDS plus接头柄的通用杆^{a)}

a) 图表或说明上提到的附件，并不包含在基本的供货范围中。本公司的附件清单中有完整的附件供应项目。

技术参数

| 锤钻 | GBH 220 | |
|-----------------------------------|-------------------|---------------|
| 物品代码 | | 3 611 BA6 0.. |
| 额定输入功率 | 瓦 | 720 |
| 冲击次数 | min ⁻¹ | 0-4800 |
| 单一冲击强度符合EPTA-Procedure 05:2016的规定 | J | 2.0 |
| 空载转速 | 转/分钟 | 0-2000 |
| 工具夹头 | | SDS-plus |
| 主轴颈直径 | 毫米 | 48.5 |
| 最大钻孔直径 | | |
| - 混凝土 ^{A)} | 毫米 | 22 |
| - 钢 | 毫米 | 13 |
| - 木材 | 毫米 | 30 |
| 重量符合EPTA-Procedure 01:2014 | 千克 | 2.3 |
| 保护等级 | | □/II |

A) 钻孔直径6-12毫米的最佳功率

所有参数适用于230伏的额定电压[U]，对于其他不同的电压和国际规格，数据有可能不同。

安装

- ▶ **在电动工具上进行所有操作之前都必须从插座上拔出电源插头。**

辅助手柄

- ▶ **操作电动工具时务必使用辅助手柄 (12)。**

- ▶ **务必确保辅助手柄已牢牢拧紧。** 否则您可能在工作中失去对电动工具的控制。

摆动辅助手柄 (见图片A)

可以任意翻转辅助手柄(12), 由此可在工作中采用安全且不易疲劳的姿势。

- 逆时针旋转辅助手柄(12)的下半部, 并将辅助手柄(12)转到需要的位置。然后顺时针重新拧紧辅助手柄(12)的下半部。
注意, 辅助手柄的固定套圈必须位于机壳上的固定套圈專屬凹槽中。

选择钻夹头和刀具

在进行锤钻和凿削时, 需要已插有SDS-plus钻夹头的SDS-plus刀具。

在木材、金属、陶材和塑料上以及拧转螺丝进行无冲击式钻孔时, 可使用不带SDS-plus的刀具(例如圆柱柄钻头)。使用此类刀具时必须先在机器上安装快速夹头或齿环夹头。

更换钻夹头

安装快速夹头/齿环夹头 (参见插图B)

- 将SDS-plus接头柄(17)旋入快速夹头(1)/齿环夹头(16)。用固定螺丝(15)固定快速夹头(1)/齿环夹头(16)。注意, 固定螺丝为左螺纹。

安装快速夹头/齿环夹头 (参见插图B)

- 清洁SDS plus接头柄(17)的末端并涂抹少许油脂。
- 把快速夹头(1)/齿环夹头(16)的接头柄拧入工具夹头中, 至接头柄自动锁定为止。
- 抽拉快速夹头(1)/齿环夹头(16), 以确定夹头是否已经锁定了。

拆卸快速夹头/齿环夹头

- 向后推动锁定套筒(5)并取下快速夹头(1)/齿环夹头(16)。

更换刀具

防尘盖(4)可以防止工作时钻屑进入工具夹头中。插入刀具时请注意不要损坏防尘盖(4)。

- ▶ **损坏的防尘盖必须立即更换。推荐由本公司的售后服务部门进行操作。**

更换刀具 (SDS-plus)

安装SDS-plus工具刀头 (见图片C)

使用SDS-plus钻夹头可以简单方便地更换工具刀头, 无需使用辅助工具。

- 清洁工具柄并在柄上涂少许润滑脂。
- 把工具拧入工具接头中, 必须拧转至工具自动锁定为止。
- 抽拉工具以确定它是否正确锁紧了。

SDS-plus系统的工具刀头是活动的。因此在空转时会产生径向跳动偏差。该偏差对钻孔的精度没影响, 因为钻孔时钻头自定心。

拆卸SDS-plus工具刀头 (见图片D)

- 向后推动锁定套筒(5), 取下工具刀头。

快速可换式钻夹头工具更换

插入工具刀头 (参见插图E)

提示: 切勿使用不带SDS-plus的工具来锤钻或凿削! 没有SDS-plus的工具和夹头会在进行锤钻和凿削时受损。

- 安装快速夹头(1)。
- 握住快速夹头(1)的后套筒(19), 逆时针旋转前套筒(18), 直至可以安装工具为止。安装好工具。
- 握住快速夹头(1)的后套筒, 顺时针手动用力拧紧前套筒, 直至不再听到过于卡紧的声音为止。由此钻夹头会被自动锁止。
- 以抽拉的方式, 检查工具是否已经装牢了。

提示: 如果工具夹头被打开到极限位置, 那么在拧紧工具夹头时, 就能听见咔嗒声, 且工具夹头不能关闭。

在这种情况下逆箭头方向转动前套筒一次。然后, 工具夹头才能关闭。

- 将冲击转动停止开关(10)旋转至“钻孔”位置。

取出工具刀头 (参见插图F)

- 抓住快速夹头的后套筒(19)。通过沿箭头方向转动前套筒打开工具夹头, 直至能够取出刀具。

吸锯尘/吸锯屑

含铅的颜料以及某些木材、矿物和金属的加工废尘有害健康。机器操作者或者工地附近的人如果接触、吸入这些废尘, 可能会有过敏反应或者感染呼吸道疾病。

某些尘埃(例如加工橡木或山毛榉的废尘)可能致癌, 特别是和处理木材的添加剂(例如木材的防腐剂等)结合之后。只有经过专业训练的人才能够加工含石棉的物料。

- 尽可能使用适合物料的吸尘装置。
- 工作场所要保持空气流通。
- 最好佩戴P2滤网等级的口罩。

请留心并遵守贵国和加工物料有关的法规。

- ▶ **避免让工作场所堆积过多的尘垢。** 尘埃容易被点燃。

带Saugfix (附件) 的集尘装置

安装集尘装置 (见图片G)

集尘装置需要一个Saugfix (附件) 钻孔时Saufix会回弹, 这样可以确保Saufix头能够紧贴着表面。

- 按压限深器调节键(11)并拆下限深器(13)。重新按压按钮(11), 并将Saugfix从前面装入辅助手柄(12)。

- 将吸尘管(直径19 mm, 附件)连接到Saugfix的排气口(20)上。

根据工件的物料选择合适的集尘装置。

抽吸可能危害健康、可能导致癌症或干燥的废尘时, 务必使用特殊的集尘装置。

在Saufix上调整钻孔深度 (见图片H)

也可以在已安装的Saufix上设定所需的钻孔深度X。

- 将SDS-plus工具刀头推入SDS-plus工具夹头**(3)**，直至极限位置。如果未安装好SDS-plus工具，会影响设定深度的准确性。
- 松开Saufix上的翼形螺栓**(24)**。
- 把尚未开动的电动工具紧紧地顶在待钻孔的位置上。SDS-plus工具刀头必须安装在平面上。
- 将Saufix导管**(25)**推入它的支架中，以便让Saufix头可以保持在待钻孔的平面。推入导管**(25)**时，尽量不要将它超出伸缩管**(23)**太多，以此保证伸缩管**(23)**上的绝大部分刻度能够清晰可见。
- 重新拧紧翼形螺栓**(24)**。松开Saufix限深器上的夹紧螺栓**(21)**。
- 将限深器**(22)**尽量套到伸缩管**(23)**上，直至符合图中所示您的所需钻孔深度距离**X**。
- 在这个位置上拧紧夹紧螺栓**(21)**。

操作

操作机器

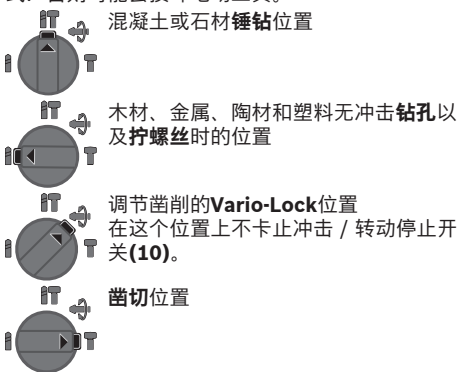
- ▶ **注意电源电压！** 电源的电压必须和电动工具铭牌上标示的电压一致。标记为230伏电动工具用220伏的电压可以驱动。

设定操作模式

通过冲击 / 转动停止开关**(10)**选择电动工具的运行模式。

- 按压用于转换运行模式的解锁按钮**(9)**，然后转动冲击 / 转动停止开关**(10)**到所需位置，直至听到卡止声。

提示： 仅在电动工具关闭的情况下更改运行模式！否则可能会损坏电动工具。



调整旋转方向（参见插图I）

通过正逆转开关**(8)**可以更改电动工具的旋转方向。按下起停开关**(7)**后无法更改。

- ▶ **只能在电动工具静止时操纵正逆转开关(8)。**进行锤钻、正常钻和凿削时，都必须把旋转方向设定为正转。
- **正转：** 钻孔和拧入螺丝时，向左按压正逆转开关**(8)**直至极限位置。

- **逆转：** 松开或拧出螺丝和螺母时，向右按压正逆转开关**(8)**直至极限位置。

接通/关闭

- 如要**接通**电动工具，按压电源开关**(7)**。
- 如要**锁定**电源开关**(7)**，请按住该开关并另外按压锁定按钮**(6)**。
- 如要**关闭**电动工具，松开电源开关**(7)**。电源开关**(7)**锁住时，先按压，然后再松开。

调整转速 / 冲击次数

可以无级调节已接通电动工具的转速/冲击次数，视按压电源开关**(7)**的力道程度决定。

以较小的力按压电源开关**(7)**时，转速/冲击次数较低。增强施加在起停开关上的压力，可以提高机器的转速 / 冲击次数。

改变钻头位置 (Vario-Lock)

您可以将钻头锁定在**13**的位置。如此可确保最佳的工作姿势。

- 把钻头装入工具夹头中。
- 将冲击 / 转动停止开关**(10)**旋转至“Vario-Lock”位置。
- 把钻头旋转到需要的工作位置上。
- 将冲击 / 转动停止开关**(10)**旋转至“凿削”位置。这样就能锁定工具夹头。
- 进行凿削时必须把旋转方向设定为正转。

带锁定功能的钻头

为了较长时间凿切而不必始终按着电源开关**(7)**，将电源开关锁定在运行模式“凿切”中。

- **锁定时**将电源开关**(7)**按压至极限位置，同时按压锁定键**(6)**。
- 关闭时再次按压锁定键**(6)**。

提示： 如果在电源开关已锁定期间切换到另一种运行模式，则电动工具会自动关闭。

工作提示

- ▶ **先关闭电动工具，然后再放置在螺母/螺栓上。** 旋转的工具刀头可能会滑开。

调整钻孔深度（参见插图J）

利用限深器**(13)**可以确定所需的钻深**X**。

- 按压限深器调节键**(11)**，并将限深器装入辅助手柄**(12)**。
- 限深器**(13)**的槽纹必须朝下。
- 将SDS-plus工具刀头推入SDS-plus工具夹头**(3)**，直至极限位置。如果未安装好SDS-plus工具，会影响设定深度的准确性。
- 尽可能地拉出限深器，使钻尖与限深器尖端之间的距离等于所需的钻孔深度**X**。

过载离合器

- ▶ **如果工具卡住了，** 传往主轴的动力会中断。由于会产生力，**请用双手牢牢握住电动工具并站稳。**
- ▶ **当电动工具卡住时，** 请关闭电动工具并松开工具刀头。开动机器时如果安装在机器上的钻头被卡住了，会产生很高的反作用扭力。

安装螺丝批嘴 (见图片K)

► **先关闭电动工具，然后再放置在螺母/螺栓上。**旋转的工具刀头可能会滑开。

使用螺丝批嘴时，您需要一个带SDS-plus接头柄(附件)的通用连杆(26)。

- 清洁接头柄的末端并在接头柄末端涂抹少许油脂。
- 把通用连杆拧入工具夹头中，并让连杆自动锁定。
- 抽拉连杆，检查连杆是否已经正确锁牢。
- 把螺丝批嘴插入通用连杆中。必须使用与螺丝头大小相符的螺丝批嘴。
- 拆卸通用连杆时，向后推锁定套筒(5)，然后从工具夹头中拆下通用连杆(26)。

维修和服务

保养和清洁

► **在电动工具上进行所有操作之前都必须从插座上拔出电源插头。**

► **电动工具和通气孔必须随时保持清洁，以确保工作效率和工作安全。**

如果必须更换连接线，务必把这项工作交给**Bosch**或者经授权的**Bosch**电动工具客户服务执行，以避免危害机器的安全性能。

► **必须立即更换损坏的防尘盖。最好委托本公司的客户服务处换装。**

- 每次使用后请清洁工具夹头(3)。

客户服务和应用咨询

本公司客户服务处负责回答有关本公司产品的修理、维护和备件的问题。备件的展开图纸和信息也

可查看：www.bosch-pt.com

博世应用咨询团队乐于就我们的产品及其附件问题提供帮助。

询问和订购备件时，务必提供机器铭牌上标示的10位数字物品代码。

中国大陆

博世电动工具(中国)有限公司

中国 浙江省 杭州市

滨江区 滨康路567号

102/1F 服务中心

邮政编码: 310052

电话: (0571)8887 5566 / 5588

传真: (0571)8887 6688 x 5566# / 5588#

电邮: bsc.hz@cn.bosch.com

www.bosch-pt.com.cn

制造商地址:

Robert Bosch Power Tools GmbH

罗伯特·博世电动工具有限公司

70538 Stuttgart / GERMANY


70538 斯图加特 / 德国

其他服务地址请见:

www.bosch-pt.com/serviceaddresses

处理废弃物

必须以符合环保要求的方式回收再利用电动工具、附件和包装材料。

 不可以把电动工具丢入家庭垃圾中!

产品中有害物质的名称及含量

| 部件名称 | 有害物质 | | | | | |
|----------|--------|--------|--------|-------------------------|------------|--------------|
| | 铅 (Pb) | 汞 (Hg) | 镉 (Cd) | 六价铬 (Cr ⁶⁺) | 多溴联苯 (PBB) | 多溴二苯醚 (PBDE) |
| 外壳的金属部分 | ○ | ○ | ○ | ○ | ○ | ○ |
| 外壳的非金属部分 | ○ | ○ | ○ | ○ | ○ | ○ |
| 机械传动机构 | X | ○ | ○ | ○ | ○ | ○ |
| 电机组件 | X | ○ | ○ | ○ | ○ | ○ |
| 控制组件 | X | ○ | ○ | ○ | ○ | ○ |
| 附件 | ○ | ○ | ○ | ○ | ○ | ○ |
| 配件 | ○ | ○ | ○ | ○ | ○ | ○ |
| 连接件 | X | ○ | ○ | ○ | ○ | ○ |
| 电源线* ① | ○ | ○ | ○ | ○ | ○ | ○ |
| 电池系统* ② | X | ○ | ○ | ○ | ○ | ○ |

本表格依据SJ/T11364的规定编制。

○: 表示该有害物质在该部件所有均质材料中的含量均在GB/T 26572规定的限量要求以下。

X: 表示该有害物质至少在该部件的某一均质材料中的含量超出GB/T 26572规定的限量要求。且目前业界没有成熟的替代方案，符合欧盟RoHS指令环保要求。

① 适用于采用电源线连接供电的产品。

② 适用于采用充电电池供电的产品。

产品环保使用期限内的使用条件参见产品说明书。

繁體中文

安全注意事項

電動工具一般安全注意事項

警告 請詳讀工作臺及電動工具的所有安全警告與使用說明。若不遵照以下列出的指示，將可能導致電擊、著火和/或人員重傷。

保存所有警告和說明書以備查閱。

在所有警告中，「電動工具」此一名詞泛指：以市電驅動的（有線）電動工具或是以電池驅動的（無線）電動工具。

工作場地的安全

- ▶ 保持工作場地清潔和明亮。混亂和黑暗的場地會引發事故。
- ▶ 不要在易爆環境，如有易燃液體、氣體或粉塵的環境下操作電動工具。電動工具產生的火花會點燃粉塵或氣體。
- ▶ 讓兒童和旁觀者離開後操作電動工具。注意力不集中會使您失去對工具的控制。

電氣安全

- ▶ 電動工具插頭必須與插座相配。絕不能以任何方式改裝插頭。需接地的電動工具不能使用任何轉換插頭。未經改裝的插頭和相配的插座將減少電擊危險。
- ▶ 避免人體接觸接地表面，如管道、散熱片和冰箱。如果您身體接地會增加電擊危險。
- ▶ 不得將電動工具暴露在雨中或潮濕環境中。水進入電動工具將增加電擊危險。
- ▶ 不得濫用電線。絕不能用電線搬運、拉動電動工具或拔出其插頭。使電線遠離熱源、油、銳利邊緣或移動零件。受損或纏繞的軟線會增加電擊危險。
- ▶ 當在戶外使用電動工具時，使用適合戶外使用的延長線。適合戶外使用的軟線，將減少電擊危險。
- ▶ 如果在潮濕環境下操作電動工具是不可避免的，應使用剩餘電流動作保護器（RCD）。使用RCD可降低電擊危險。

人身安全

- ▶ 保持警覺，當操作電動工具時關注所從事的操作並保持清醒。當您感到疲倦，或在有藥物、酒精或治療反應時，不要操作電動工具。在操作電動工具時瞬間的疏忽會導致嚴重人身傷害。

- ▶ 使用個人防護裝置。始終佩戴護目鏡。安全裝置，諸如適當條件下使用防塵面具、防滑安全鞋、安全帽、聽力防護等裝置能減少人身傷害。
- ▶ 防止意外起動。確保開關在連接電源和/或電池盒、拿起或搬運工具時處於關閉位置。手指放在已接通電源的開關上或開關處於接通時插入插頭可能會導致危險。
- ▶ 在電動工具接通之前，拿掉所有調節鑰匙或扳手。遺留在電動工具旋轉零件上的扳手或鑰匙會導致人身傷害。
- ▶ 手不要伸展得太長。時刻注意立足點和身體平衡。這樣在意外情況下能很好地控制電動工具。
- ▶ 著裝適當。不要穿寬鬆衣服或佩戴飾品。讓您的衣物及頭髮遠離運動部件。寬鬆衣服、佩飾或長髮可能會捲入運動部件中。
- ▶ 如果提供了與排屑、集塵設備連接用的裝置，要確保他們連接完好且使用得當。使用這些裝置可減少塵屑引起的危險。
- ▶ 切勿因經常使用工具所累積的熟練感而過度自信，輕忽工具的安全守則。任何一個魯莽的舉動都可能瞬間造成人員重傷。

電動工具使用和注意事項

- ▶ 不要濫用電動工具，根據用途使用適當的電動工具。選用適當設計的電動工具會使您工作更有效、更安全。
- ▶ 如果開關不能開啟或關閉工具電源，則不能使用該電動工具。不能用開關來控制的電動工具是危險的且必須進行修理。
- ▶ 在進行任何調整、更換配件或貯存電動工具之前，必須從電源上拔掉插頭並/或取出電池盒。這種防護性措施將減少工具意外起動的危險。
- ▶ 將閒置不用的電動工具貯存在兒童所及範圍之外，並且不要讓不熟悉電動工具或對這些說明不瞭解的人操作電動工具。電動工具在未經培訓的用戶手中是危險的。
- ▶ 保養電動工具與配備。檢查運動件是否調整到位或卡住，檢查零件破損情況和影響電動工具運行的其他狀況。如有損壞，電動工具應在使用前修理好。許多事故由維護不良的電動工具引發。
- ▶ 保持切削刀具鋒利和清潔。保養良好的有鋒利切削刀的刀具不易卡住而且容易控制。
- ▶ 按照使用說明書，考慮作業條件和進行的作業來使用電動工具、配件和工具的刀頭等。將電動工具用於那些與其用途不符的操作可能會導致危險。

- ▶ 把手及握持區應保持乾燥、潔淨，且不得沾染任何油液或油脂。易滑脫的把手及握持區將無法讓您在發生意外狀況時安全地抓緊並控制工具。

檢修

- ▶ 將您的電動工具送交專業維修人員，必須使用同樣的備件進行更換。這樣將確保所維修的電動工具的安全性。

電錘的安全注意事項

所有作業的安全說明

- ▶ 請戴上耳罩。暴露在噪音下會造成聽力喪失。
- ▶ 請使用工具的輔助把手（若有配備）。失去控制可能會造成人員受傷。
- ▶ 進行作業時，負責進行切割的配件可能會碰到隱藏的配線，請從絕緣握把處拿持電動工具。負責進行切割的配件及固定釘若是觸及「導電」電線，可能導致電動工具外露的金屬部件「導電」，進而使操作人員遭受電擊。

使用長鑽頭搭配鏈鑽的安全說明

- ▶ 請務必以低速啟動並將鑽尖確實抵住工件。若鑽頭未接觸工件且以超過最高轉速的速度無負載轉動，可能會讓鑽頭彎曲並導致人員受傷。
- ▶ 請順著鑽頭方向施加適當的壓力。鑽頭可能會彎曲而造成斷裂或失控，進而導致人員受傷。

其他安全注意事項

- ▶ 如果嵌件工具被夾住了，請立刻關閉電動工具的電源。請準備好承受反作用力所造成的反彈。電動工具過載時或當它在進行加工的工件內部歪斜時，都會造成嵌件工具被夾住不動。
- ▶ 使用合適的偵測裝置偵察隱藏的電線，或者向當地的相關單位尋求支援。接觸電線可能引起火災並讓操作者觸電。若損壞瓦斯管會引起爆炸。鑿穿水管不僅會造成嚴重的財物損失，也可能導致觸電。
- ▶ 必須等待電動工具完全靜止後才能將它放下。嵌件工具可能卡住而使電動工具失控。
- ▶ 固定好工件。使用固定裝置或老虎鉗固定工件，會比用手持握工件更牢固。
- ▶ 操作後不久不要接觸任何嵌件工具或鄰近的外殼部件。這些在操作過程中會變得非常灼熱並導致燙傷。
- ▶ 鑽孔時嵌件工具可能會卡住。請確實站穩並用雙手牢牢握住電動工具。否則您可能無法再控制電動工具。
- ▶ 使用鑿子進行拆除工作時請小心。拆除材料的掉落碎片可能會傷害旁人或您自己。

產品和功率描述



請詳讀所有安全注意事項和指示。如未遵守安全注意事項與指示，可能導致火災、人員遭受電擊及／或重傷。
請留意操作說明書中最前面的圖示。

依規定使用機器

本電動工具適合在混凝土、磚塊及石材進行鏈擊鑽孔，亦適用於簡易型鑿削作業。此外，它同樣也可以用無震動之方式在木材、金屬、陶瓷或塑膠等材質上進行鑽孔加工。具備電子調速和正逆轉功能的電動工具亦可用於拆裝螺栓。

插圖上的機件

機件的編號和電動工具詳解圖上的編號一致。

- (1) 快速夾頭^{a)}
- (2) SDS plus 夾頭
- (3) SDS plus（四坑系統）工具夾座
- (4) 防塵蓋
- (5) 鎖定套筒
- (6) 起停開關鎖止按鈕
- (7) 起停開關
- (8) 正逆轉開關
- (9) 鏈擊／旋轉停止開關的解鎖按鈕
- (10) 鏈擊／旋轉停止開關
- (11) 限深擋塊調整按鈕
- (12) 輔助手柄（絕緣握柄）
- (13) 限深擋塊
- (14) 把手（絕緣握柄）
- (15) 齒環式夾頭的防鬆螺栓^{a)}
- (16) 齒環式夾頭^{a)}
- (17) 插入夾頭的 SDS plus 接頭柄^{a)}
- (18) 快速夾頭的前套筒^{a)}
- (19) 快速夾頭的後套筒^{a)}
- (20) Saugfix 裝置的抽吸口^{a)}
- (21) Saugfix 裝置的止付螺栓^{a)}
- (22) Saugfix 裝置的限深擋塊^{a)}
- (23) Saugfix 裝置的伸縮管^{a)}
- (24) Saugfix 裝置的蝶翼螺栓^{a)}
- (25) Saugfix 裝置的導管^{a)}
- (26) 具有 SDS plus 接頭柄的萬用接桿^{a)}

a) 圖表或說明上提到的配件，並不包含在基本的供貨範圍中。本公司的配件清單中有完整的配件供應項目。

技術性數據

| 鏈鑽 | GBH 220 | |
|---------------------------------|-------------------|---------------|
| 產品機號 | | 3 611 BA6 0.. |
| 額定輸入功率 | W | 720 |
| 衝擊次數 | min ⁻¹ | 0-4800 |
| 單次鏈擊強度符合 EPTA-Procedure 05:2016 | J | 2.0 |
| 無負載轉速 | 次 / 分 | 0-2000 |
| 工具夾座 | | SDS-plus |
| 軸頸直徑 | mm | 48.5 |

| 鏈鑽 | | GBH 220 |
|---------------------------------|----|---------|
| 最大鑽孔直徑 | | |
| - 混凝土 ^{A)} | mm | 22 |
| - 鋼材 | mm | 13 |
| - 木材 | mm | 30 |
| 重量符合 EPTA- Procedure 01:2014 | kg | 2.3 |
| 絕緣等級 | | □/ |

A) 鑽頭直徑 6-12 mm 時具最佳效能
本說明書提供的參數是以 230 伏特為依據，於低電壓地區，此數據有可能不同。

安裝

- ▶ 維修電動工具或換裝零、配件之前，務必從插座上拔出插頭。

輔助手柄

- ▶ 操作電動工具時務必使用輔助手柄 (12)。
- ▶ 確保輔助手柄始終牢固鎖緊。否則您可能在作業時無法再控制電動工具。

翻轉輔助手柄 (請參考圖 A)

輔助手柄 (12) 可隨意翻轉，以便採取一個穩固而不容易感到疲勞的工作姿勢。

- 逆時針旋轉輔助手柄 (12) 的下方握把處，以便將輔助手柄 (12) 轉至所需位置。然後再順時針旋轉輔助手柄 (12) 的下方握把處，將它重新鎖緊。注意，輔助手柄的固定套圈必須位於機殼上的固定套圈專屬凹槽中。

選用夾頭和工具

進行鏈擊鑽孔和鑿削時，必須使用能夠安裝在 SDS-plus 夾頭上的 SDS-plus 工具。

若要以無震動之方式在木材、金屬、陶瓷及塑膠等材質上進行鑽孔，或是想要拆裝螺栓，請使用非 SDS-plus 系統的工具（例如具有圓柱柄的鑽頭）。使用此類鑽頭時必須在機器上安裝快速夾頭或齒環式夾頭。

更換夾頭

安裝快速夾頭/齒環式夾頭 (請參考圖 B)

- 請將 SDS-plus 接頭柄 (17) 鎖進快速夾頭 (1) / 齒環式夾頭 (16)。用防鬆螺栓 (15) 固定快速夾頭 (1) / 齒環式夾頭 (16)。注意：此類防鬆螺栓為左旋螺紋。

裝入快速夾頭/齒環式夾頭 (請參考圖 B)

- 清潔 SDS plus 接頭柄 (17) 的插入端並且塗上少許潤滑油脂
- 把快速夾頭 (1) / 齒環式夾頭 (16) 的接頭柄插入工具機的工具接頭中，直到接頭柄自動鎖定為止。
- 拉動快速夾頭 (1) / 齒環式夾頭 (16)，以確認夾頭是否已確實鎖止。

卸下快速夾頭/齒環式夾頭

- 將鎖止套筒 (5) 往後推，即可卸下快速夾頭 (1) / 齒環式夾頭 (16)。

更換工具

防塵蓋 (4) 可阻止鑽孔時所產生的大部份粉塵侵入工具夾座。安裝工具時要小心，請勿損壞防塵蓋 (4)。

- ▶ 防塵蓋若有受損，應立即更換。最好委託本公司的顧客服務處換裝。

更換工具 (SDS-plus)

裝上 SDS-plus 嵌件工具 (請參考圖 C)

夾頭採 SDS-plus (四坑系統) 設計，能夠簡便地更換嵌件工具，無需借助其它輔助工具。

- 清潔嵌件工具的插入端並且塗上少許潤滑油脂。
- 把嵌件工具轉進工具夾頭中，必須轉至嵌件工具自動鎖定為止。
- 拉動工具以確認它是否已正確鎖止。

SDS-plus 嵌件工具是活動的，因此在無負載狀態下此類工具會偏心旋轉。開始鑽孔時此工具便會自動置中，因此上述現象並不會影響鑽孔準確度。

取出 SDS-plus 嵌件工具 (請參考圖 D)

- 將鎖定套筒 (5) 往後推，然後便可取出嵌件工具。

快換夾頭更換工具

安裝嵌件工具 (請參考圖 E)

提示：請勿使用非 SDS-plus 系統的工具進行鏈擊鑽孔或鑿削！非 SDS-plus 系統的工具和夾頭會在進行鏈擊鑽孔和鑿削時受損。

- 請裝上快速夾頭 (1)。
- 請握住快速夾頭 (1) 的後端套筒 (19) 不動，然後逆時針旋轉前端套筒 (18)，直到能夠將工具裝入。裝入工具。
- 請握住快速夾頭的後端套筒 (1) 不動，然後徒手順時針用力轉緊前端套筒，直到不再聽到越過制動卡榫的輾軋聲。這樣才代表夾頭已自動上鎖。
- 透過拉動，確認工具是否已裝牢。

提示：如果工具夾座先前已完全開啟至極限位置，那麼旋轉工具夾座使之閉合時，即使聽見輾軋聲也不代表工具夾座已鎖上。

這時候請您再沿著箭頭的相反方向轉一下前端套筒。然後工具夾座便能確實閉合。

- 請將鏈擊/旋轉停止開關 (10) 轉至「鑽孔」位置。

取出嵌件工具 (請參考圖 F)

- 請將快速夾頭的後套筒 (19) 握住不動。沿著箭頭方向旋轉前端套筒，以便將工具夾座打開至能夠取下工具的程度。

吸除廢塵/料屑

含鉛顏料、部分木材種類、礦石和金屬的加工廢塵有害健康。機器操作者或施工現場附近的人員如果接觸、吸入這些廢塵，可能會引發過敏反應或感染呼吸道疾病。

某些塵埃 (例如加工橡木或山毛櫸的廢塵) 可能致

癌，特別是與處理木材的添加劑（例如木材的防腐劑等）結合之後。唯有受過專業訓練的人才能夠進行含石棉物料的加工。

- 儘可能使用適合物料的吸塵裝置。
- 工作場所要保持空氣流通。
- 建議佩戴 P2 過濾等級的口罩。

請留意並遵守貴國的物料加工相關法規。

- ▶ **避免讓工作場所堆積過多的塵垢。**塵埃容易被點燃。

搭配 Saugfix 的吸塵裝置（配件）

安裝吸塵設備（請參考圖 G）

吸塵設備須使用 Saugfix 裝置（配件）。鑽孔時，Saugfix 裝置頂部會往後回彈，這樣的設計可以確保 Saugfix 裝置始終緊貼著工件表面。

- 請按限深擋塊調整按鈕 (11) 然後取出限深擋塊 (13)。請再次按壓按鈕 (11) 並將 Saugfix 裝置從前面裝入輔助手柄 (12) 中。
- 將吸塵管（直徑 19 mm，配件）連接至 Saugfix 裝置的抽吸口 (20) 上。

根據工件材質選擇合適的吸塵器。

吸集可能危害健康、可能致癌或乾燥的廢塵時，務必使用特殊吸塵器。

在 Saugfix 裝置上調整鑽孔深度（請參考圖 H）

即使 Saugfix 裝置已裝上，您仍可確認所需的鑽孔深度 X。

- 將 SDS-plus 嵌件工具往 SDS-plus 工具夾頭 (3) 推入到底。如果未裝好工具，會影響深度設定的準確性。
- 鬆開 Saugfix 裝置上的蝶翼螺栓 (24)。
- 把尚未啟動的電動工具緊緊地頂在工件的待鑽孔位置上。SDS-plus 嵌件工具也必須緊貼著工件表面。
- 挪動 Saugfix 裝置導管 (25) 在托架中的位置，使 Saugfix 裝置頂部能完全貼合在待鑽孔的表面上。導管 (25) 推至伸縮管 (23) 之上後，請勿繼續推至超過必要距離，您應要能夠看見伸縮管 (23) 上的大部份刻度。
- 重新鎖緊蝶翼螺栓 (24)。鬆開 Saugfix 裝置限深擋塊上的止付螺栓 (21)。
- 如圖所示，將限深擋塊 (22) 推至伸縮管 (23) 上，使距離 X 等於所需的鑽孔深度。
- 將止付螺栓 (21) 鎖緊在這個位置上。

操作

操作機器

- ▶ **請注意電源電壓！**電源的電壓必須和電動工具銘牌上標示的電壓一致。標示為 230 V 的電動工具亦可接上 220 V 電源。

設定操作模式

您可利用鎚擊／旋轉停止開關 (10) 選擇電動工具的操作模式。

- 若要切換操作模式，請按壓解鎖按鈕 (9) 並將鎚擊／旋轉停止開關 (10) 轉至所需位置，此時應要聽見卡上的聲音。

提示：請務必在電動工具關閉電源時才變更操作模式！否則可能造成電動工具損壞。

鎚擊鑽孔位置，適用於混凝土或石材



鑽孔位置，可在木材、金屬、陶瓷及塑膠等材質上以無震動之方式進行鑽孔或是拆裝螺栓



Vario-Lock 位置，用以調整鑿頭位置，鎚擊／旋轉停止開關 (10) 無法卡止在這個位置上。



鑿削位置



設定旋轉方向（請參考圖 I）

透過正逆轉開關 (8) 即可變更電動工具的旋轉方向。但按下起停開關 (7) 時，將無法這樣做。

- ▶ **電動工具靜止時，才能操作正逆轉開關 (8)。**

進行鎚擊鑽孔、一般鑽孔及鑿削時，都必須設為正轉。

- **正轉：**若要旋入螺栓及旋緊螺母，請將正逆轉開關 (8) 往左推到底。
- **逆轉：**若要鬆開或旋出螺栓與螺母，請將正逆轉開關 (8) 往右推到底。

啟動／關閉

- 若要**啟動**電動工具：按下起停開關 (7)。
- 若要**固定**起停開關 (7) 的位置，請將它按住不放並同時按壓鎖止按鈕 (6)。
- 若要**關閉**電動工具，放開起停開關 (7) 即可。起停開關 (7) 的位置若是已被鎖定，請按一下該開關然後放開。

調整轉速／鎚擊次數

您可為已啟動的電動工具無段調控轉速／衝擊次數，轉速是由按壓起停開關 (7) 的深度決定。

輕按起停開關 (7) 時，轉速／衝擊次數較低。逐漸在開關上加壓，轉速／衝擊次數也會跟著提高。

改變鑿頭位置 (Vario-Lock)

鑿頭可固定在 13 個不同的位置上。藉此，您可採取最佳的工作姿勢。

- 把鑿頭插進工具夾座中。
- 請將鎚擊／旋轉停止開關 (10) 轉至「Vario-Lock」位置。
- 把鑿頭旋轉到所需的工作位置上。
- 請將鎚擊／旋轉停止開關 (10) 轉至「鑿削」位置。工具夾座隨之鎖定。
- 進行鑿削時必須設為正轉。

挖鑿時使用鎖定功能

長時間挖鑿時，可將起停開關的位置鎖定在「挖鑿」操作模式上，於是您就不必一直按著起停開關(7)。

- 若要鎖定起停開關(7)的位置，請將它完全按壓到底，然後同時按壓鎖止按鈕(6)。
- 再按一次鎖止按鈕(6)即可關閉此項功能。

提示：如果您在起停開關處於鎖定狀態下時切換至其他操作模式，電動工具將因此關機。

作業注意事項

- ▶ 電動工具應先停止運轉，然後才放到螺母/螺栓上。轉動中的嵌件工具可能會滑開。

調整鑽孔深度 (請參考圖J)

您可利用限深擋塊(13)設定所需鑽孔深度 X。

- 請按壓限深擋塊調整按鈕(11)然後將限深擋塊安裝到輔助手柄(12)上。
- 限深擋塊(13)上的刻紋必須朝下。
- 將 SDS-plus 嵌件工具往 SDS-plus 工具夾座(3)推入到底。SDS-plus 工具若未確實裝好，會影響深度設定的準確性。
- 將限深擋塊拉出至，鑽頭尖端與限深擋塊尖端之間的距離等於所需的鑽孔深度 X。

過載離合器

- ▶ 如果工具卡住了，傳往主軸的動力會中斷。請務必用雙手握穩電動工具並採取穩固站姿，以隨時承受此時出現的作用力。
- ▶ 如果電動工具卡死，請關閉電動工具的電源，然後鬆開嵌件工具。啟動機器時如果安裝在機器上的鑽孔工具被卡住了，會產生高的反作用扭力。

裝上螺絲起子工具頭 (請參考圖K)

- ▶ 電動工具應先停止運轉，然後才放到螺母/螺栓上。轉動中的嵌件工具可能會滑開。

若要使用螺絲起子工具頭，須備妥一個具有 SDS-plus 接頭柄的萬用接桿(26) (配件)。

- 清潔接頭柄的末端並且塗上少許潤滑油脂。
- 把萬用接桿轉進工具夾座中，必須轉至萬用接桿自動鎖定為止。
- 拉動萬用接桿，以確認萬用接桿是否已確實鎖止。
- 把螺絲起子工具頭插入萬用接桿中。必須使用與螺絲頭大小相符的螺絲起子工具頭。
- 若要取下萬用接桿，請將鎖定套筒(5)往後推，然後將萬用接桿(26)從工具夾座中取出即可。

維修和服務

保養與清潔

- ▶ 維修電動工具或換裝零、配件之前，務必從插座上拔出插頭。
- ▶ 電動工具和通風口都必須保持清潔，這樣才能夠提高工作品質和安全性。

如果必須更換連接線，請務必交由 **Bosch** 或者經授權的 **Bosch** 電動工具顧客服務執行，以避免危害機器的安全性能。

- ▶ 防塵蓋若有受損，應立即更換。最好委託本公司的顧客服務處換裝。
- 每次使用後，請清潔工具夾座(3)。

顧客服務處和顧客諮詢中心

本公司顧客服務處負責回答有關本公司產品的維修、維護和備用零件的問題。以下的網頁中有分解圖和備用零件相關資料：www.bosch-pt.com 如果對本公司產品及其配件有任何疑問，博世應用諮詢小組很樂意為您提供協助。

當您需要諮詢或訂購備用零件時，請務必提供本產品型號銘牌上 10 位數的產品機號。

台灣

台灣羅伯特博世股份有限公司

建國北路一段90號6樓

台北市10491

電話: (02) 7734 2588

傳真: (02) 2516 1176

www.bosch-pt.com.tw

制造商地址:

Robert Bosch Power Tools GmbH

羅伯特·博世電動工具有限公司

70538 Stuttgart / GERMANY


70538 斯圖加特/德國

以下更多客戶服務處地址：

www.bosch-pt.com/serviceaddresses

廢棄物處理

必須以符合環保的方式，回收再利用損壞的機器、配件和廢棄的包裝材料。

 不可以把電動工具丟入家庭垃圾中。

設備名稱：鏈鑽，型號：GBH 220

限用物質及其符號

| 單元 | 鉛 (Pb) | 汞 (Hg) | 鎘 (Cd) | 六價鉻 (Cr ⁺⁶) | 多溴聯苯 (PBB) | 多溴二苯醚 (PBDE) |
|------|-----------|-----------|-----------|----------------------------|---------------|-----------------|
| 馬達 | - | ○ | ○ | ○ | ○ | ○ |
| 電源開關 | - | ○ | ○ | ○ | ○ | ○ |
| 內部配線 | ○ | ○ | ○ | ○ | ○ | ○ |

設備名稱：鏈鑽，型號：GBH 220

限用物質及其符號

| 單元 | 鉛 (Pb) | 汞 (Hg) | 鎘 (Cd) | 六價鉻 (Cr ⁶⁺) | 多溴聯苯 (PBB) | 多溴二苯醚 (PBDE) |
|--------|-----------|-----------|-----------|----------------------------|---------------|-----------------|
| 外殼(塑料) | ○ | ○ | ○ | ○ | ○ | ○ |
| 電源線組 | ○ | ○ | ○ | ○ | ○ | ○ |
| 五金件螺絲 | - | ○ | ○ | ○ | ○ | ○ |

備考 1. "超出 0.1 wt %" 及 "超出 0.01 wt %" 係指限用物質之百分比含量超出百分比含量基準值。

備考 2. "○" 係指該項限用物質之百分比含量未超出百分比含量基準值。

備考 3. "-" 係指該項限用物質為排除項目。

ไทย

กฎระเบียบเพื่อความปลอดภัย

คำเตือนเพื่อความปลอดภัยทั่วไปสำหรับเครื่องมือไฟฟ้า

คำเตือน อ่านคำเตือนเพื่อความปลอดภัย คำแนะนำ ภาพประกอบ และข้อมูล

จำเพาะทั้งหมดที่จัดส่งมาพร้อมกับเครื่องมือไฟฟ้า การไม่ปฏิบัติตามคำแนะนำทั้งหมดที่ระบุไว้ด้านล่างนี้อาจทำให้ถูกไฟฟ้าดูด เกิดไฟไหม้ และ/หรือได้รับบาดเจ็บอย่างร้ายแรง

เก็บรักษาคำเตือนและคำสั่งทั้งหมดสำหรับเปิดอ่านในภายหลัง

คำว่า "เครื่องมือไฟฟ้า" ในคำเตือนหมายถึง เครื่องมือไฟฟ้าของท่านที่ทำงานด้วยพลังงานไฟฟ้าจากแหล่งจ่ายไฟหลัก (มีสายไฟฟ้า) และเครื่องมือไฟฟ้าที่ทำงานด้วยพลังงานไฟฟ้าจากแบตเตอรี่ (ไร้สาย)

ความปลอดภัยในสถานที่ทำงาน

- ▶ **รักษาสถานที่ทำงานให้สะอาดและมีไฟส่องสว่างดี**
สถานที่ที่มีมืดหรือรกรุงร่งนำมาซึ่งอุบัติเหตุ
- ▶ **อย่าใช้เครื่องมือไฟฟ้าทำงานในสภาพบรรยากาศที่จุดติดไฟได้** เช่น ในที่มีมีของเหลวไวไฟ ก๊าซ หรือฝุ่น เมื่อใช้เครื่องมือไฟฟ้าจะเกิดประกายไฟซึ่งอาจจุดฝุ่นหรือไอให้ลุกเป็นไฟได้
- ▶ **ขณะใช้เครื่องมือไฟฟ้าทำงาน ต้องกั้นเด็กและผู้ยืนดูให้ออกห่าง**
การหันเหความสนใจอาจทำให้ท่านขาดการควบคุมเครื่องได้

ความปลอดภัยเกี่ยวกับไฟฟ้า

- ▶ **ปลั๊กของเครื่องมือไฟฟ้าต้องเหมาะสมพอดีกับเต้าเสียบ**
อย่าตัดแปลงปลั๊กไม่ว่าในลักษณะใดๆ อย่างเด็ดขาด
อย่าใช้ปลั๊กฟ่วงต่อใดๆ กับเครื่องมือไฟฟ้าที่มีสายดิน
ปลั๊กที่ไม่ตัดแปลงและเต้าเสียบที่เข้ากันช่วยลดความเสี่ยงจากการถูกไฟฟ้าดูด
- ▶ **หลีกเลี่ยงอย่าให้ร่างกายสัมผัสกับพื้นผิวที่ต่อสายดินหรือลงกราวด์ไว้** เช่น ท่อ เครื่องทำความร้อน เตา และตู้เย็น จะเสี่ยงอันตรายจากการถูกไฟฟ้าดูดมากขึ้นหากกระแสไฟฟ้าวิ่งผ่านร่างกายของท่านลงดิน
- ▶ **อย่าให้เครื่องมือไฟฟ้าถูกฝนหรืออยู่ในสภาพเปียกชื้น**
หากน้ำเข้าในเครื่องมือไฟฟ้า จะเพิ่มความเสี่ยงจากการถูกไฟฟ้าดูด
- ▶ **อย่าใช้สายไฟฟ้าในทางที่ผิด** อย่าใช้สายไฟฟ้าเพื่อยก ding หรือถอดปลั๊กเครื่องมือไฟฟ้า กั้นสายไฟฟ้าออกจากความร้อน น้ำมัน ขอบแหลมคม หรือชิ้นส่วนที่เคลื่อนที่ สายไฟฟ้าที่ชำรุดหรือพันกันยุ่งเพิ่มความเสี่ยงจากการถูกไฟฟ้าดูด
- ▶ **เมื่อใช้เครื่องมือไฟฟ้าทำงานกลางแจ้ง ให้ใช้สายไฟต่อที่เหมาะสมสำหรับการใช้งานกลางแจ้ง** การใช้สายไฟต่อที่เหมาะสมสำหรับงานกลางแจ้งช่วยลดอันตรายจากการถูกไฟฟ้าดูด
- ▶ **หากไม่สามารถหลีกเลี่ยงการใช้เครื่องมือไฟฟ้าทำงานในสถานที่เปียกชื้นได้ ให้ใช้สวิตซ์ตัดวงจรเมื่อเกิดการรั่วไหลของไฟฟ้าจากสายดิน (RCD)** การใช้สวิตซ์ตัดวงจรเมื่อเกิดการรั่วไหลของไฟฟ้าจากสายดินช่วยลดความเสี่ยงต่อการถูกไฟฟ้าดูด

ความปลอดภัยของบุคคล

- ▶ **ท่านต้องอยู่ในสภาพเตรียมพร้อม ระวังระวังในสิ่งที่ท่านกำลังทำอยู่ และมีสติขณะใช้เครื่องมือไฟฟ้าทำงาน**
อย่าใช้เครื่องมือไฟฟ้าขณะที่ท่านกำลังเหนื่อย หรืออยู่

ภายใต้การครอบงำของฤทธิ์ของยาเสพติด แอลกอฮอล์ และยา เมื่อใช้เครื่องมือไฟฟ้าทำงาน ในช่วงเวลาที่ท่านขาดความเอาใจใส่อาจทำให้บุคคลบาดเจ็บอย่างรุนแรงได้

- ▶ **ใช้อุปกรณ์ปกป้องร่างกาย สวมแว่นตาป้องกันเสมอ** อุปกรณ์ปกป้อง เช่น หน้กากากกันฝุ่น รองเท้ากันลื่น หมวกแข็ง หรือประคบหูกันเสียงดังที่เข้าตามความเหมาะสมกับสภาพการทำงาน จะลดการบาดเจ็บทางร่างกาย
- ▶ **ป้องกันการติดเครื่องโดยไม่ตั้งใจ ตรวจสอบให้แน่ใจว่าสวิตช์อยู่ในตำแหน่งปิดก่อนเชื่อมต่อเข้ากับแหล่งจ่ายไฟ และ/หรือแบตเตอรี่แพ็ค ยกหรือถือเครื่องมือการถือเครื่องโดยใช้นิ้วหัวที่สวิตช์ หรือเสียบปลั๊กไฟฯ ขณะสวิตช์เปิดอยู่ อาจนำไปสู่อุบัติเหตุที่ร้ายแรงได้**
- ▶ **นำเครื่องมือปรับแต่งหรือประแจปากคายนอกก่อนเปิดสวิตช์เครื่องมือไฟฟ้า** เครื่องมือหรือประแจปากคายนที่วางอยู่กับส่วนของเครื่องที่กำลังหมุนจะทำให้บุคคลบาดเจ็บได้
- ▶ **อย่าเอื้อมไกลเกินไป** ตั้งทำยีนที่มีมั่นคงและวางน้ำหนักให้สมดุลตลอดเวลา ในลักษณะนี้ท่านสามารถควบคุมเครื่องมือไฟฟ้าในสถานการณ์ที่ไม่คาดคิดได้ดีกว่า
- ▶ **แต่งกายอย่างเหมาะสม** อย่าใส่เสื้อผ้าหลวมหรือสวมเครื่องประดับ เหน็บและเสื้อผ้าออกห่างจากชิ้นส่วนที่เคลื่อนที่ เสื้อผ้าหลวม เครื่องประดับ และผมยาวอาจเข้าไปติดในชิ้นส่วนที่เคลื่อนที่
- ▶ **หากเครื่องมือไฟฟ้ามีข้อเชื่อมต่อกับเครื่องดูดฝุ่นหรือเครื่องเก็บผง ให้ตรวจสอบให้แน่ใจว่าได้เชื่อมต่อและใช้งานอย่างถูกต้อง** การใช้อุปกรณ์ดูดฝุ่นช่วยลดอันตรายที่เกิดจากฝุ่นได้
- ▶ **เมื่อใช้งานเครื่องมือบ่อยครั้งจะเกิดความคุ้นเคย** อย่าให้ความคุ้นเคยทำให้ท่านเกิดความชะล่าใจและละเลยกฎเกณฑ์ด้านความปลอดภัยในการใช้งานเครื่อง การทำงานอย่างไม่ระมัดระวังอาจทำให้เกิดการบาดเจ็บอย่างร้ายแรงภายในเสี้ยววินาที

การใช้และการดูแลรักษาเครื่องมือไฟฟ้า

- ▶ **อย่างฝืนกำลังเครื่องมือไฟฟ้า** ใช้เครื่องมือไฟฟ้าที่ถูกต้องตรงตามลักษณะงานของท่าน เครื่องมือไฟฟ้าที่ถูกต้องจะทำงานได้ดีกว่าและปลอดภัยกว่าในระดับสมรรถภาพที่ออกแบบไว้
- ▶ **อย่าใช้เครื่องมือไฟฟ้าถ้าสวิตช์ไม่สามารถเปิดปิดได้** เครื่องมือไฟฟ้าที่ไม่สามารถควบคุมการเปิดปิดด้วยสวิตช์ได้ เป็นเครื่องมือไฟฟ้าที่ไม่ปลอดภัยและต้องส่งซ่อมแซม
- ▶ **ก่อนปรับแต่งเครื่อง เปลี่ยนอุปกรณ์ประกอบ หรือเก็บเครื่องเข้าที่ ต้องถอดปลั๊กออกจากแหล่งจ่ายไฟ และ/**

หรือถอดแบตเตอรี่แพ็คออกจากเครื่องมือไฟฟ้าหากถอดออกได้

มาตรการป้องกันเพื่อความปลอดภัยนี้ช่วยลดความเสี่ยงจากการติดเครื่องโดยไม่ตั้งใจ

- ▶ **เมื่อเลิกใช้งานเครื่องมือไฟฟ้า ให้เก็บเครื่องมือไว้ในที่เด็กหยิบไม่ถึง และไมอนุญาตให้บุคคลที่ไม่คุ้นเคยกับเครื่องหรือบุคคลที่ไม่ได้อ่านคำแนะนำเหล่านี้ใช้เครื่อง** เครื่องมือไฟฟ้าเป็นของอันตรายหากตกอยู่ในมือของผู้ใช้ที่ไม่ได้รับการฝึกฝน
- ▶ **บำรุงรักษาเครื่องมือไฟฟ้าและอุปกรณ์ประกอบ** ตรวจสอบชิ้นส่วนที่เคลื่อนที่ว่าวางไม่ตรงแนวหรือติดขัดหรือไม่ ตรวจสอบการแตกหักของชิ้นส่วนและสภาพอื่นใดที่อาจมีผลต่อการทำงานของเครื่องมือไฟฟ้า หากชำรุดต้องส่งเครื่องมือไฟฟ้าไปซ่อมแซมก่อนใช้งาน อุบัติเหตุหลายอย่างเกิดขึ้นเนื่องจากดูแลรักษาเครื่องไม่ดีพอ
- ▶ **รักษาเครื่องมือตัดให้คมและสะอาด** หากบำรุงรักษาเครื่องมือที่มีขอบตัดแหลมคมอย่างถูกต้องจะสามารถตัดได้สิ้นไม่ติดขัดและควบคุมได้ง่ายกว่า
- ▶ **ใช้เครื่องมือไฟฟ้า อุปกรณ์ประกอบ เครื่องมือ และอุปกรณ์อื่นๆ** ตรงตามคำแนะนำเหล่านี้ โดยคำนึงถึงเงื่อนไขการทำงานและงานที่จะทำ การใช้เครื่องมือไฟฟ้าทำงานที่ต่างไปจากวัตถุประสงค์การใช้งานของเครื่อง อาจนำไปสู่สถานการณ์ที่เป็นอันตรายได้
- ▶ **ดูแลน้ำมันและพื้นผิวจับให้แห้ง สะอาด และปราศจากคราบน้ำมันและจาระบี** ด้ามจับและพื้นผิวจับที่ลื่นทำให้หยิบจับได้ไม่ปลอดภัย และไม่สามารถควบคุมเครื่องมือในสถานการณ์ที่ไม่คาดคิด

การบริการ

- ▶ **ส่งเครื่องมือไฟฟ้าของท่านเข้ารับบริการจากช่างซ่อมที่มีคุณสมบัติเหมาะสม โดยใช้ชื่อที่เหมือนกันเท่านั้น** ในลักษณะนี้ท่านจะแน่ใจได้ว่าเครื่องมือไฟฟ้าอยู่ในสภาพที่ปลอดภัย

คำเตือนเพื่อความปลอดภัยสำหรับค้อน

คำเตือนเพื่อความปลอดภัยสำหรับการทำงานทั้งหมด

- ▶ **สวมประภพหูป้องกันเสียงดัง** การรับฟังเสียงดังอาจทำให้สูญเสียการได้ยิน
- ▶ **ใช้ด้ามจับเพิ่มหากจัดส่งมาพร้อมกับเครื่องการสูญเสีย** การควบคุมอาจทำให้บุคคลได้รับบาดเจ็บ
- ▶ **เมื่อทำงานในบริเวณที่เครื่องมือตัดหรือสกรูอาจสัมผัสสายไฟฟ้าที่ซ่อนอยู่หรือสายไฟฟ้าของตัวเครื่องเอง** ต้องจับเครื่องมือไฟฟ้าตรงพื้นผิวจับที่หุ้มฉนวน หากเครื่องมือตัดและสกรูสัมผัสสายที่ "มีกระแสไฟฟ้า" ไหล

ผ่าน จะทำให้ชิ้นส่วนโลหะที่ไม่ได้หุ้มฉนวนของเครื่องมือไฟฟ้าเกิด "มีกระแสไฟฟ้า" ด้วย และส่งผลให้ผู้ใช้งาน เครื่องถูกไฟฟ้าดูดได้

คำเตือนเพื่อความปลอดภัยเมื่อใช้ดอกสว่านยาวด้วยคอนหมุน

- ▶ **เริ่มต้นเจาะด้วยความเร็วต่ำและให้ปลายดอกสว่าน สัมผัสชิ้นงานเสมอ** ที่ความเร็วที่สูงกว่า ดอกสว่านอาจ โค้งงอเมื่อปล่อยให้หมุนอย่างอิสระโดยไม่สัมผัสชิ้นงาน และส่งผลให้ได้รับบาดเจ็บทางร่างกาย
- ▶ **ใช้แรงกดให้ตรงกับแนวดอกสว่านเท่านั้นและอย่าใช้แรงกดมากเกินไป** ปลายดอกสว่านอาจโค้งงอทำให้แตกหัก หรือสูญเสียการควบคุม และส่งผลให้ได้รับบาดเจ็บทางร่างกาย

คำแนะนำเพื่อความปลอดภัยเพิ่มเติม

- ▶ **ปิดสวิตช์เครื่องมือไฟฟ้าทันทีหากเครื่องมือติดขัด ให้เตรียมพร้อมสำหรับปฏิกิริยาเบรคสูงซึ่งเป็นเหตุให้เกิดการดีดกลับ** เครื่องมือจะติดขัดเมื่อเครื่องมือไฟฟ้าถูกใช้งานเกินกำลังหรือเครื่องมือถูกบีบอัดอยู่ในชิ้นงาน
- ▶ **ใช้เครื่องตรวจจับที่เหมาะสมเพื่อตรวจสอบสายไฟฟ้า หรือท่อสาธารณูปโภคที่อาจซ่อนอยู่ในบริเวณทำงาน หรือติดต่อบริษัทสาธารณูปโภคในพื้นที่เพื่อขอความช่วยเหลือ** การสัมผัสสายไฟอาจทำให้เกิดไฟไหม้หรือถูกไฟฟ้าดูด การทำให้ท่อแก๊สเสียหายอาจทำให้เกิดระเบิด การเจาะเข้าไปท่อน้ำทำให้ทรัพย์สินเสียหาย หรืออาจเป็นเหตุให้ถูกไฟฟ้าดูดได้
- ▶ **รอให้เครื่องมือไฟฟ้าหยุดสนิทก่อนวางเครื่องลงบนพื้น** เครื่องมือที่ปล่อยอาจติดขัดและทำให้สูญเสียการควบคุมเครื่องมือไฟฟ้า
- ▶ **ยึดชิ้นงานให้แน่น** การยึดชิ้นงานด้วยเครื่องมือหรือแท่นจับจะมั่นคงกว่าการยึดด้วยมือ
- ▶ **ห้ามสัมผัสเครื่องมือหรือชิ้นส่วนใดๆ ที่อยู่ติดกันหลังเสร็จสิ้นการใช้งานแล้วไม่นาน** ชิ้นส่วนเหล่านี้อาจร้อนจัดระหว่างการทำงานและทำให้เกิดแผลไหม้ได้
- ▶ **เครื่องมืออาจติดขัดในขณะที่เจาะ** ตั้งท้ายยื่นที่มั่นคงและจับเครื่องมือไฟฟ้าด้วยมือทั้งสองข้างอย่างแน่นหนา มิฉะนั้นคุณอาจสูญเสียการควบคุมเครื่องมือไฟฟ้า
- ▶ **ใช้ความระมัดระวังในขณะที่ถอดถอนด้วยสิ่ว** เศษวัสดุการถอดถอนที่ร่วงหล่นอาจทำให้ผู้คนรอบข้างหรือตัวคุณเองบาดเจ็บได้

รายละเอียดผลิตภัณฑ์และข้อมูลจำเพาะ



อ่านคำเตือนเพื่อความปลอดภัยและคำแนะนำทั้งหมด การไม่ปฏิบัติตามคำเตือนและคำสั่งอาจเป็นสาเหตุให้ถูกไฟฟ้าดูด เกิดไฟไหม้ และ/หรือได้รับบาดเจ็บอย่างร้ายแรง

กรุณาดูภาพประกอบในส่วนหน้าของคู่มือการใช้งาน

ประโยชน์การใช้งานของเครื่อง

เครื่องนี้ใช้สำหรับเจาะดอกในคอนกรีต อิฐ และหิน และยังใช้สำหรับงานสกัดเบาๆ เครื่องนี้ยังเหมาะสำหรับเจาะโดยไม่กระทบแก๊สในไม โลหะ เซรามิก และพลาสติกอีกด้วย เครื่องมือไฟฟ้าที่มีระบบควบคุมอิเล็กทรอนิกส์และการหมุนซ้ำ/ชวาลสามารถใช้งานสลักรูได้ด้วย

ส่วนประกอบที่แสดงภาพ

ลำดับเลขของส่วนประกอบผลิตภัณฑ์อ้างอิงส่วนประกอบของเครื่องที่แสดงในหน้าภาพประกอบ

- (1) หัวจับดอกชนิดจับเร็ว^{a)}
- (2) หัวจับดอก SDS plus
- (3) ตามจับเครื่องมือ SDS plus
- (4) ฝาครอบกันฝุ่น
- (5) ปลอกสำหรับล็อก
- (6) บุ่มล็อกสวิตช์เปิด-ปิด
- (7) สวิตช์เปิด-ปิด
- (8) สวิตช์เปลี่ยนทิศทางการหมุน
- (9) บุ่มปลดล็อกสวิตช์หยุดกระแทก/หยุดหมุน
- (10) สวิตช์หยุดกระแทก/หยุดหมุน
- (11) บุ่มสำหรับปรับก้านวัดความลึก
- (12) ตามจับเพิ่ม (พื้นผิวจับหุ้มฉนวน)
- (13) ก้านวัดความลึก
- (14) ตามจับ (พื้นผิวจับหุ้มฉนวน)
- (15) สกรูยึดสำหรับหัวจับดอกชนิดมีเฟืองใน^{a)}
- (16) หัวจับดอกชนิดมีเฟืองใน^{a)}
- (17) ก้านติดตั้ง SDS plus สำหรับหัวจับดอก^{a)}
- (18) ปลอกหน้าของหัวจับดอกชนิดจับเร็ว^{a)}
- (19) ปลอกหลังของหัวจับดอกชนิดจับเร็ว^{a)}
- (20) ช่องดูดออกของ Saugfix^{a)}
- (21) น็อตหนีบสำหรับ Saugfix^{a)}
- (22) ก้านวัดความลึกของ Saugfix^{a)}

- (23) ท่อข้อสวมกันของ Saugfix^{a)}
 (24) น็อตปึกของ Saugfix^{a)}
 (25) น็อตปึกของ Saugfix^{a)}
 (26) ด้ามจับดอกทั่วไปที่มีก้าน SDS plus^{a)}

- a) อุปกรณ์ประกอบที่แสดงภาพหรืออธิบายไม่รวมอยู่ในการจัดส่งมาตรฐาน
 กรุณาดูอุปกรณ์ประกอบทั้งหมดในรายการแสดงอุปกรณ์ประกอบของเรา

ข้อมูลทางเทคนิค

| ส่วนโรตารี | | GBH 220 |
|---|-------------------|--|
| หมายเลขสินค้า | | 3 611 BA6 0.. |
| กำลังไฟฟ้าที่ติดตั้งเข้า | วัตต์ | 720 |
| อัตรากระแทก | min ¹ | 0-4800 |
| พลังงานกระแทกต่อครั้งตามระเบียบการ EPTA-Procedure 05:2016 | จูล | 2.0 |
| ความเร็วรอบเดินตัวเปล่า | นาที ¹ | 0-2000 |
| ด้ามจับเครื่องมือ | | SDS-plus |
| เส้นผ่าศูนย์กลางปลอกแกน | มม. | 48.5 |
| เส้นผ่าศูนย์กลางการเจาะสูงสุด | | |
| - คอนกรีต ^{A)} | มม. | 22 |
| - เหล็กกล้า | มม. | 13 |
| - ไม้ | มม. | 30 |
| น้ำหนักตามระเบียบการ EPTA-Procedure 01:2014 | กก. | 2.3 |
| ระดับความปลอดภัย | |  // |

A) ประสิทธิภาพที่ดีที่สุดด้วยเส้นผ่านศูนย์กลางส่วน 6-12 มม. ค่าที่ให้นี้ใช้ได้กับแรงดันไฟฟ้าบ้านอิมัล [U] 230 โวลต์ค่าเหล่านี้ อาจเปลี่ยนแปลงไปสำหรับแรงดันไฟฟ้าที่แตกต่างกัน และโมเดลที่ผลิตสำหรับเฉพาะประเทศ

การติดตั้ง

- ดึงปลั๊กไฟออกจากเต้าเสียบก่อนปรับแต่งเครื่อง

ด้ามจับเพิ่ม

- ใช้เครื่องมือไฟฟ้าร่วมกับด้ามจับเพิ่ม (12) เสมอ

- ตรวจสอบให้แน่ใจว่า ได้ขันที่จับเสริมให้แน่นเสมอ มิฉะนั้นคุณอาจสูญเสียการควบคุมเครื่องมือไฟฟ้าขณะทำงานได้

การหมุนด้ามจับเพิ่ม (ดูภาพประกอบ A)

ท่านสามารถจับด้ามจับเพิ่ม (12) หันไปยังตำแหน่งใดก็ได้ เพื่อให้ได้ท่าทำงานที่มั่นคงและเหนียวน้อย

- หมุนก้านจับด้านล่างของด้ามจับเพิ่ม (12) ทวนเข็มนาฬิกา และหันด้ามจับเพิ่ม (12) ไปยังตำแหน่งที่ต้องการ จากนั้นจึงหมุนก้านจับด้านล่างของด้ามจับเพิ่ม (12) ในทิศทางเข็มนาฬิกากลับเข้าที่ให้แน่น
- ตรวจสอบให้แน่ใจว่าสายรัดปรับความตึงของด้ามจับเพิ่ม อยู่ในร่องที่ตัวเครื่อง

การเลือกหัวจับดอกและเครื่องมือ

สำหรับการเจาะดอกและการสกัดต้องใช้เครื่องมือ SDS-plus ที่ใส่ในหัวจับดอก SDS-plus

สำหรับการเจาะโดยไม่กระแทกในไม้ โลหะ เซรามิก และพลาสติก รวมทั้งการขันสกรู ต้องใช้เครื่องมือที่ไม่มี SDS-plus (ต. ย. เช่น ดอกส่วนที่มีก้านทรงกระบอก) ต้องใช้หัวจับดอกชนิดเปลี่ยนเร็วหรือหัวจับดอกที่มีเฟืองในสำหรับเครื่องมือเจาะเหล่านี้

การเปลี่ยนหัวจับดอก

การติดตั้งหัวจับดอกชนิดจับเร็ว/หัวจับดอกชนิดมีเฟือง (ดูภาพประกอบ B)

- ขันก้านติดตั้ง SDS-plus (17) ในหัวจับดอกชนิดจับเร็ว (1)/หัวจับดอกชนิดมีเฟือง (16) ยึดหัวจับดอกชนิดจับเร็ว (1)/หัวจับดอกชนิดมีเฟือง (16) ด้วยสกรูยึด (15) กรุณาสังเกตว่าสกรูยึดมีเกลียวเกลียวชาย

การใส่หัวจับดอกชนิดจับเร็ว/หัวจับดอกชนิดมีเฟือง (ดูภาพประกอบ B)

- ทำความสะอาดปลายก้านติดตั้ง SDS plus (17) และเคลือบจาระบีบางส่วน
- ใส่หัวจับดอกชนิดจับเร็ว (1)/หัวจับดอกชนิดมีเฟือง (16) พร้อมก้านติดตั้งหมุนใส่ในด้ามจับเครื่องมือจนเข้าล็อกโดยอัตโนมัติ
- ดึงหัวจับดอกชนิดจับเร็ว (1)/หัวจับดอกชนิดมีเฟือง (16)

การถอดหัวจับดอกชนิดจับเร็ว/หัวจับดอกชนิดมีเฟือง

- ดันปลอกสำหรับล็อก (5) ไปด้านหลัง และถอดหัวจับดอกชนิดจับเร็ว (1)/หัวจับดอกชนิดมีเฟือง (16) ออก

การเปลี่ยนเครื่องมือ

ฝาครอบกันฝุ่น (4) ส่วนใหญ่จะป้องกันไม่ให้ฝุ่นที่เกิดจากการเจาะลอดเข้าไปในคัมจับเครื่องมือในระหว่างการใช้งาน เมื่อใส่เครื่องมือต้องระวังอย่าให้ฝาครอบกันฝุ่น (4) เสียหาย

▶ ต้องเปลี่ยนฝาครอบกันฝุ่นที่ชำรุดโดยทันที

เราขอแนะนำ ควรส่งให้ศูนย์บริการหลังการขายเปลี่ยนให้

การเปลี่ยนเครื่องมือ (SDS-plus)

การใส่เครื่องมือ SDS-plus (ดูภาพประกอบ C)

หัวจับดอก SDS-plus ทำให้เปลี่ยนเครื่องมือเจาะได้ง่ายและสะดวกโดยไม่ต้องใช้เครื่องมืออื่น ๆ ช่วย

- ทำความสะอาดและทาสีบางๆ ที่ปลายก้านเครื่องมือ
- จับเครื่องมือหมุนใส่ในคัมจับเครื่องมือจนเข้าล็อกโดยอัตโนมัติ
- ดึงเครื่องมือเพื่อตรวจสอบการล็อก

ตามเงื่อนไขของระบบ เครื่องมือ SDS-plus สามารถเคลื่อนไหวได้อย่างอิสระ ดังนั้นเมื่อเดินตัวเปล่า เครื่องมือจะวิ่งส่ายจากแนวรัศมี ซึ่งจะไม่มีผลกระทบต่อความเที่ยงตรงของรูเจาะ ดอกส่วนจะตั้งตัวให้อยู่ตรงกลางเองระหว่างการเจาะ

การถอดเครื่องมือ SDS-plus (ดูภาพประกอบ D)

- ดันปลอกสำหรับล็อก (5) ไปด้านหลังและถอดเครื่องมือออก

การเปลี่ยนเครื่องมือหัวจับดอกชนิดเปลี่ยนเร็ว

การใส่เครื่องมือ (ดูภาพประกอบ E)

หมายเหตุ: อย่าใช้เครื่องมือที่ไม่มี SDS-plus สำหรับเจาะดอกหรือสกัด! เครื่องมือที่ไม่มี SDS-plus และหัวจับดอกของเครื่องมืออาจชำรุดจากการเจาะดอกหรือสกัด

- ใส่หัวจับดอกชนิดจับเร็ว (1)
- จับปลอกหลัง (19) ของหัวจับดอกชนิดจับเร็ว (1) ให้แน่นและหมุนปลอกหน้า (18) ทวนเข็มนาฬิกา จนสามารถใส่เครื่องมือได้ ใส่เครื่องมือ
- จับปลอกหลังของหัวจับดอกชนิดจับเร็ว (1) ให้แน่นและใช้มือหมุนปลอกหน้าตามเข็มนาฬิกาจนไม่ได้ยินเสียงลงล็อกอีกต่อไป ในลักษณะนี้หัวจับดอกจะถูกล็อกโดยอัตโนมัติ
- ดึงเครื่องมือเพื่อตรวจสอบการเข้าในตำแหน่งอย่างแน่นหนา

หมายเหตุ: หากคัมจับเครื่องมือถูกเปิดออกจนสุด อาจได้ยินเสียงชนเข็มนาฬิกาขณะหมุนคัมจับเครื่องมือให้ปิด และคัมจับเครื่องมือไม่ปิดลง

ในกรณีนี้ให้หมุนปลอกหน้า ไปในทิศทางตรงข้ามกับทิศทางลูกศรหนึ่งครั้ง จากนั้นคัมจับเครื่องมือจะสามารถปิดได้

- หมุนสวิตช์หยุดกระแทก/หยุดหมุน (10) ไปที่ตำแหน่ง "การเจาะ"

การถอดเครื่องมือ (ดูภาพประกอบ F)

- ยึดปลอกหลัง (19) ของหัวจับดอกชนิดจับเร็ว เปิดคัมจับเครื่องมือโดยหมุนปลอกหน้า ไปตามทิศทางลูกศรจนสามารถถอดเครื่องมือออกมาได้

การดูดฝุ่น/ซีลื้อย

ฝุ่นที่ได้จากวัสดุ เช่น เคลือบผิวที่มีสารตะกั่ว ไม้ยางประเภทแร้วธาตุ และโลหะ อาจเป็นอันตรายต่อสุขภาพ การสัมผัสหรือการหายใจเอาฝุ่นเข้าไปอาจทำให้เกิดปฏิกิริยาแพ้ฝุ่น และ/หรือนำมาซึ่งโรคติดเชื้อระบบหายใจแก่ผู้ใช้เครื่องมือหรือผู้ที่ยืนอยู่ใกล้เคียง ฝุ่นบางประเภท เช่น ฝุ่นไม้เนื้อแข็ง หรือไม้บิช นัน เป็นสารที่ทำให้เกิดมะเร็ง โดยเฉพาะอย่างยิ่งเมื่อผสมกับสารเติมแต่งเพื่อบำบัดไม้ (โครเมต ผลิตภัณฑ์รักษาเนื้อไม้) สำหรับวัสดุที่มีแอลสทอลต้องให้ผู้เชี่ยวชาญทำงานเท่านั้น

- ใช้ระบบดูดฝุ่นออกที่เหมาะสมกับประเภทวัสดุ มากเท่าที่จะทำได้
- จัดสถานที่ทำงานให้มีการระบายอากาศที่ดี
- ขอแนะนำให้สวมหน้ากากป้องกันการติดเชื้อที่มีระดับ-ใส่กรอง P2

ปฏิบัติตามกฎข้อบังคับสำคัญอื่นๆ ที่เกี่ยวกับวัสดุชิ้นงานที่บังคับใช้ในประเทศของท่าน

- ▶ ป้องกันการสะสมของฝุ่นในสถานที่ทำงาน ฝุ่นสามารถถูกใหม่อย่างง่ายดาย

การดูดฝุ่นด้วย Saugfix (อุปกรณ์ประกอบ)

การติดตั้ง Saugfix (ดูภาพประกอบ G)

สำหรับการดูดฝุ่นออก ต้องใช้ Saugfix (อุปกรณ์ประกอบ) ขณะเจาะรู Saugfix จะร่นกลับเพื่อให้ส่วนหัวของ Saugfix อยู่ชิดกับพื้นผิวรูเจาะเสมอ

- กดปุ่มปรับก้านวัดความลึก (11) และถอดก้านวัดความลึก (13) ออกกดปุ่ม (11) อีกครั้งและใส่ Saugfix เข้าไปตามจับเพิ่ม (12) จากด้านหลัง
- ต่อท่อดูดฝุ่น (เส้นผ่าศูนย์กลาง 19 มม. อุปกรณ์ประกอบ) เข้ากับช่องดูดออก (20) ของ Saugfix เครื่องดูดฝุ่นต้องมีลักษณะการใช้งานที่เหมาะสมกับประเภทวัสดุชิ้นงาน

ในกรณีดูดฝุ่นแห้งที่เป็นอันตรายต่อสุขภาพอย่างยิ่งหรืออาจก่อให้เกิดมะเร็งได้ ให้ใช้เครื่องดูดฝุ่นพิเศษ

การปรับความลึกการเจาะบน Saugfix (ดูภาพประกอบ H)

ท่านสามารถปรับความลึกการเจาะที่ต้องการ **X** ได้แม้มี Saugfix ติดตั้งอยู่

- ดันเครื่องมือ SDS-plus เข้าในด้ามจับเครื่องมือ SDS-plus **(3)** จนสุดการเคลื่อนที่ของเครื่องมือ SDS-plus อาจทำให้ปรับความลึกการเจาะได้ไม่ถูกต้อง
- คลายน็อตปิ๊ก **(24)** บน Saugfix
- จับเครื่องมือไฟฟ้าเข้าหาจุดที่จะเจาะอย่างมั่นคงโดยไม่ต้องเปิดสวิตช์ เครื่องมือ SDS-plus ต้องวางบนพื้นผิวที่จะเจาะ
- เลื่อนท่อนำ **(25)** ของ Saugfix ในที่ยึดเพื่อให้หัวของ Saugfix วางอยู่บนพื้นผิวที่จะเจาะ อย่าเลื่อนท่อนำ **(25)** ครอบเหนือท่อข้อสวมกัน **(23)** มากเกินจำเป็น ทั้งนี้เพื่อจะดูสามารถมองเห็นมาตราส่วน **(23)** บนท่อข้อสวมกันได้มากที่สุด
- ชันน็อตปิ๊ก **(24)** กลับเข้าไปในแนบ คลายน็อตหนีบ **(21)** บนก้านวัดความลึกของ Saugfix
- เลื่อนก้านวัดความลึก **(22)** บนท่อข้อสวมกัน **(23)** ในลักษณะให้ระยะทาง **X** ดังแสดงในภาพประกอบเท่ากับ ความลึกการเจาะที่ต้องการ
- ชันน็อตหนีบ **(21)** ในตำแหน่งนี้เข้าให้แน่น

การปฏิบัติงาน

การเริ่มต้นปฏิบัติงาน

- ▶ ให้สังเกตแรงดันไฟฟ้า! แรงดันไฟฟ้าจากแหล่งจ่ายไฟฟ้าต้องมีค่าตรงกับค่าแรงดันไฟฟ้าที่ระบุไว้บนแผ่นป้ายยึดเครื่อง เครื่องมือไฟฟ้าที่มีเครื่องหมาย 230 โวลต์ สามารถใช้งานกับ 220 โวลต์ ได้ด้วย

การตั้งโหมดทำงาน

ท่านสามารถเลือกโหมดทำงานของเครื่องมือไฟฟ้าด้วยสวิตช์หยุดกระแส/หยุดหมุน **(10)**

- เมื่อต้องการเปลี่ยนโหมดทำงาน ให้กดปุ่มปลดล็อก **(9)** และหมุนสวิตช์หยุดกระแส/หยุดหมุน **(10)** ไปยังตำแหน่งที่ต้องการจนได้ยินเสียงเข้าล็อก

หมายเหตุ: เปลี่ยนโหมดทำงานเฉพาะเมื่อเครื่องมือไฟฟ้าปิดสวิตช์อยู่เท่านั้น! มิฉะนั้นเครื่องมือไฟฟ้าอาจชำรุดได้



ตำแหน่งสำหรับ การเจาะดอก ในคอนกรีตหรือหิน



ตำแหน่งสำหรับ การเจาะ โดยไม่กระแทกในไม้ โลหะ เซรามิก และพลาสติก รวมทั้งการขัน

การขันสกรู



ตำแหน่ง **Vario-Lock** สำหรับปรับตำแหน่ง สกัด

สวิตช์หยุดกระแส/หยุดหมุน **(10)** จะไม่ล็อกในตำแหน่งนี้



ตำแหน่งสำหรับ การสกัด

การตั้งทิศทางการหมุน (ดูภาพประกอบ I)

ท่านสามารถใช้สวิตช์เปลี่ยนทิศทางการหมุน **(8)** เพื่อเปลี่ยนทิศทางการหมุนของเครื่องมือไฟฟ้า อย่างไรก็ตามหากสวิตช์เปิด-ปิด **(7)** ถูกกดอยู่จะไม่สามารถเปลี่ยนทิศทางการหมุน

- ▶ หมุนสวิตช์เปลี่ยนทิศทางการหมุน **(8)** เมื่อเครื่องหยุดนิ่งอยู่กับที่เท่านั้น

ตั้งทิศทางการหมุนสำหรับการเจาะดอก การเจาะ และการสกัด ไว้ที่การหมุนทวนเข็มนาฬิกา

- การหมุนทวนเข็มนาฬิกา: สำหรับการเจาะและการขันสกรูเข้าให้ กดสวิตช์เปลี่ยนทิศทางการหมุน **(8)** ไปทางซ้ายจนสุด
- การหมุนทวนเข็มนาฬิกา: สำหรับคลายหรือขันสกรูและน็อตออก ให้กดสวิตช์เปลี่ยนทิศทางการหมุน **(8)** ไปทางขวาจนสุด

การเปิด-ปิดเครื่อง

- เปิดสวิตช์เครื่องมือไฟฟ้าโดยกดสวิตช์เปิด-ปิด **(7)**
- ล็อคสวิตช์เปิด-ปิดโดยกดสวิตช์เปิด-ปิด **(7)** ค้างไว้และดันปุ่มล็อก **(6)** เพิ่ม
- ปิดสวิตช์เครื่องมือไฟฟ้าโดยปล่อยนิ้วจากสวิตช์เปิด-ปิด **(7)** หากสวิตช์เปิด-ปิด **(7)** ถูกล็อค ให้กดสวิตช์เปิด-ปิดก่อน แล้วจึงปล่อยนิ้ว

การตั้งอัตราความเร็ว/อัตรากระแส

ท่านสามารถปรับอัตราความเร็ว/อัตรากระแสของเครื่องมือไฟฟ้าที่เปิดสวิตช์ทำงานได้อย่างต่อเนื่อง ทั้งนี้ขึ้นอยู่กับแรงที่กดลงบนสวิตช์เปิด-ปิด **(7)**

กดสวิตช์เปิด-ปิด **(7)** เบาจะได้อัตราความเร็ว/อัตรากระแสต่ำ กดสวิตช์แรงยิ่งขึ้นจะได้อัตราความเร็ว/อัตรากระแสเพิ่มขึ้น

การเปลี่ยนตำแหน่งสกัด (Vario-Lock)

ท่านสามารถล็อคดอกสกัดได้ **13** ตำแหน่ง ในลักษณะนี้ท่านสามารถตั้งทำงานได้เหมาะสมที่สุดสำหรับแต่ละรูปแบบการทำงาน

- ใส่ดอกสกัดเข้าไปในด้ามจับเครื่องมือ
- หมุนสวิตช์หยุดกระแส/หยุดหมุน **(10)** ไปที่ตำแหน่ง "Vario-Lock"

- หมุนเครื่องมือไปยังตำแหน่งการสกัดที่ต้องการ
- หมุนสวิตช์หยุดกระแส/หยุดหมุน (10) ไปที่ตำแหน่ง "การสกัด" ด้วยวิธีนี้คัมจับเครื่องมือจะถูกล็อคไว้
- ดึงทิศทางการหมุนสำหรับการสกัดไว้ที่การหมุนทางขวา

การสกัดด้วยฟังก์ชันล็อค

เมื่อต้องการสกัดเป็นเวลานานโดยไม่ต้องกดสวิตช์เปิด-ปิด (7) อย่างต่อเนื่องให้ล็อคสวิตช์เปิด-ปิดในโหมดทำงาน "การสกัด"

- เมื่อต้องการล็อคให้กดสวิตช์เปิด-ปิด (7) ไปจนสุดและในขณะที่เดียวกันให้กดปุ่มล็อค (6)
- เมื่อต้องการเปิดสวิตช์ให้กดปุ่มล็อค (6) อีกครั้ง

หมายเหตุ: หากท่านกลับสวิตช์ไปที่โหมดทำงานอื่นในขณะที่สวิตช์เปิด-ปิดล็อคอยู่ เครื่องมือไฟฟ้าจะปิดสวิตช์

ข้อแนะนำในการทำงาน

- ▶ **จับเครื่องมือไฟฟ้าเข้านหัวสกรู/นอตเมื่อเครื่องปิดอยู่เท่านั้น** เครื่องมือที่หมุนอยู่อาจลื่นไถล

การปรับความลึกการเจาะ (ดูภาพประกอบ J)

ท่านสามารถใช้ก้านวัดความลึก (13) เพื่อตั้งความลึกการเจาะ X ที่ต้องการ

- กดปุ่มสำหรับปรับก้านวัดความลึก (11) และใส่ก้านวัดความลึกเข้าไปในคัมจับเพิ่ม (12) ต้องหันพื้นผิวที่เป็นร่องบนก้านวัดความลึก (13) ลงด้านล่าง
- ดันเครื่องมือ SDS-plus เข้าในคัมจับเครื่องมือ SDS-plus (3) จนสุด หากเครื่องมือ SDS-plus เคลื่อนไหว อาจทำให้ปรับความลึกการเจาะได้ไม่ถูกต้อง
- ดึงก้านวัดความลึกออกมาจนระยะห่างระหว่างปลายดอกสว่านและปลายก้านวัดความลึกเท่ากับความลึกการเจาะที่ต้องการ X

เคล็ดลับตัดการทำงานเกินกำลัง

- ▶ หากเครื่องมือที่ใส่อยู่เกิดขัดหรือติดแน่น แรงขับไปยังเพลาสว่านจะสะดุดหยุด เนื่องจากแรงบิดที่เกิดขึ้น ต้องถือเครื่องมือไฟฟ้าให้แน่นด้วยมือทั้งสองข้างและหาที่ยืนที่มั่นคงเสมอ
- ▶ หากเครื่องมือไฟฟ้าติดขัด ให้ปิดสวิตช์เครื่องและปลดเครื่องมือที่ใส่อยู่ออก หากเปิดสวิตช์โดยที่เครื่องมือเจาะติดขัดอยู่ อาจเกิดแรงปฏิกิริยาบิดสูง

การใส่ดอกไขควง (ดูภาพประกอบ K)

- ▶ **จับเครื่องมือไฟฟ้าเข้านหัวสกรู/นอตเมื่อเครื่องปิดอยู่เท่านั้น** เครื่องมือที่หมุนอยู่อาจลื่นไถล

เมื่อไขควงไขควงทำงานต้องไขคัมจับดอกไขควง (26) ที่มีก้านติดตั้ง SDS-plus (อุปกรณ์ประกอบ) รวมด้วย

- ทำความสะอาดปลายก้านติดตั้ง และเคลือบจาระบีบางๆ
- จับคัมจับดอกไขควงไปหมุนใส่ในคัมจับเครื่องมือจนเข้าล็อคโดยอัตโนมัติ
- ดึงคัมจับดอกไขควงไปเพื่อตรวจสอบการล็อค
- ใส่ดอกไขควงเข้าไปในคัมจับดอกไขควง ไขควงไขควงที่มีขนาดพอดีกับหัวสกรูเท่านั้น
- เมื่อต้องการถอดคัมจับดอกไขควงไขควงให้ดึงปลอกสำหรับล็อค (5) ไปด้านหลัง และถอดคัมจับดอกไขควง (26) ออกจากคัมจับเครื่องมือ

การบำรุงรักษาและการบริการ

การบำรุงรักษาและการทำความสะอาด

- ▶ **ดึงปลั๊กไฟออกจากเต้าเสียบก่อนปรับแต่งเครื่อง**
- ▶ **เพื่อให้ทำงานได้อย่างถูกต้องและปลอดภัย ต้องรักษาเครื่องและช่องระบายอากาศให้สะอาดอยู่เสมอ**

หากจำเป็นต้องเปลี่ยนสายไฟฟ้า ต้องส่งเครื่องให้ Bosch หรือศูนย์บริการหลังการขายที่ได้รับมอบหมายสำหรับเครื่องมือไฟฟ้า Bosch เปลี่ยนให้ ทั้งนี้เพื่อหลีกเลี่ยงอันตราย

- ▶ **ต้องเปลี่ยนฝาครอบกันฝุ่นที่ชำรุดโดยทันที** เราขอแนะนำควรส่งให้ศูนย์บริการหลังการขายเปลี่ยนให้

- ทำความสะอาดคัมจับเครื่องมือ (3) ทุกครั้งหลังใช้งาน

การบริการหลังการขายและการให้คำปรึกษาการใช้งาน

ศูนย์บริการหลังการขายของเรายินดีตอบคำถามของท่านที่เกี่ยวกับการบำรุงรักษาและการซ่อมแซมผลิตภัณฑ์รวมทั้งเรื่องอะไหล่ ภาพเขียนแบบการประกอบและข้อมูลเกี่ยวกับอะไหล่ กรุณาดูใน: www.bosch-pt.com ที่มงานที่ปรึกษาของ บอช ยินดีให้ข้อมูลเกี่ยวกับผลิตภัณฑ์ของเราและอุปกรณ์ประกอบต่างๆ

เมื่อต้องการสอบถามและสั่งซื้ออะไหล่ กรุณาแจ้งหมายเลขสินค้า 10 หลักบนแผ่นป้ายรุ่นของผลิตภัณฑ์ทุกครั้ง

ไทย

ไทย บริษัท โรเบิร์ต บอช จำกัด
 เอฟายโอ เซ็นเตอร์ อาคาร 1 ชั้น 5
 เลขที่ 2525 ถนนพระราม 4
 แขวงคลองเตย เขตคลองเตย กรุงเทพฯ 10110
 โทร: +66 2012 8888
 แฟกซ์: +66 2064 5800
www.bosch.co.th

ศูนย์บริการซ่อมและฝึกอบรม บ้อช
อาคาร ลาชาลทาวเวอร์ ชั้น G ห้องเลขที่ 2
บ้านเลขที่ 10/11 หมู่ 16
ถนนศรีนครินทร์ ตำบลบางแก้ว อำเภอบางพลี
จังหวัดสมุทรปราการ 10540
ประเทศไทย
โทรศัพท์ 02 7587555
โทรสาร 02 7587525

สามารถดูที่อยู่ศูนย์บริการอื่นๆ ได้ที่:
www.bosch-pt.com/serviceaddresses

การกำจัดขยะ

เครื่องมือไฟฟ้า อุปกรณ์ประกอบ และหีบห่อ ต้องนำไปแยกประเภทวัสดุเพื่อการรีไซเคิลที่เป็นมิตรต่อสิ่งแวดล้อม อย่างไรก็ตาม อย่าทิ้งเครื่องมือไฟฟ้าลงในขยะบ้าน!



Bahasa Indonesia

Petunjuk Keselamatan

Petunjuk keselamatan umum untuk perkakas listrik

PERINGATAN Baca semua peringatan, petunjuk, ilustrasi, dan spesifikasi keselamatan yang diberikan bersama perkakas listrik ini. Kesalahan dalam menjalankan petunjuk di bawah ini dapat mengakibatkan sengatan listrik, kebakaran, dan/atau cedera serius.

Simpanlah semua peringatan dan petunjuk untuk penggunaan di masa mendatang.

Istilah "perkakas listrik" dalam peringatan mengacu pada perkakas listrik yang dioperasikan dengan listrik (menggunakan kabel) atau perkakas listrik yang dioperasikan dengan baterai (tanpa kabel).

Keamanan tempat kerja

- ▶ **Jaga kebersihan dan pencahayaan area kerja.** Area yang berantakan atau gelap dapat memicu kecelakaan.
- ▶ **Jangan mengoperasikan perkakas listrik di lingkungan yang dapat memicu ledakan, seperti adanya cairan, gas, atau debu yang mudah terbakar.** Perkakas listrik dapat memancarkan bunga api yang kemudian mengakibatkan debu atau uap terbakar.
- ▶ **Jauhkan dari jangkauan anak-anak dan pengamat saat mengoperasikan perkakas listrik.** Gangguan dapat menyebabkan hilangnya kendali.

Keamanan listrik

- ▶ **Steker perkakas listrik harus sesuai dengan stopkontak. Jangan pernah memodifikasi steker. Jangan menggunakan steker adaptor bersama dengan perkakas listrik yang terhubung dengan sistem grounding.** Steker yang tidak dimodifikasi dan stopkontak yang cocok akan mengurangi risiko sengatan listrik.
- ▶ **Hindari kontak badan dengan permukaan yang terhubung dengan sistem grounding, seperti pipa, radiator, kompor, dan lemari es.** Terdapat peningkatan risiko terjadinya sengatan listrik jika badan Anda terhubung dengan sistem grounding.
- ▶ **Perkakas listrik tidak boleh terpapar hujan atau basah.** Air yang masuk ke dalam perkakas listrik menambah risiko terjadinya sengatan listrik.
- ▶ **Jangan menyalahgunakan kabel. Jangan gunakan kabel untuk membawa, menarik, atau melepas steker perkakas listrik. Jauhkan kabel dari panas, minyak, tepi yang tajam, atau komponen yang bergerak.** Kabel listrik yang rusak atau tersangkut menambah risiko terjadinya sengatan listrik.
- ▶ **Saat mengoperasikan perkakas listrik di luar ruangan, gunakan kabel ekstensi yang sesuai untuk penggunaan di luar ruangan.** Penggunaan kabel yang cocok untuk pemakaian di luar ruangan mengurangi risiko terjadinya sengatan listrik.
- ▶ **Jika perkakas listrik memang harus dioperasikan di tempat yang lembap, gunakan pemutus arus listrik residu (RCD).** Penggunaan RCD akan mengurangi risiko terjadinya sengatan listrik.

Keselamatan personel

- ▶ **Tetap waspada, perhatikan aktivitas yang sedang dikerjakan dan gunakan akal sehat saat mengoperasikan perkakas listrik. Jangan gunakan perkakas listrik saat mengalami kelelahan atau di bawah pengaruh narkoba, alkohol, atau obat-obatan.** Jika perkakas listrik dioperasikan dengan daya konsentrasi yang rendah, hal tersebut dapat menyebabkan cedera serius.
- ▶ **Gunakan peralatan pelindung diri. Selalu kenakan pelindung mata.** Penggunaan perlengkapan pelindung seperti penutup telinga, helm, sepatu anti licin, dan masker debu akan mengurangi cedera.
- ▶ **Hindari start yang tidak disengaja. Pastikan switch berada di posisi off sebelum perkakas listrik dihubungkan ke sumber daya listrik dan/atau baterai, diangkat, atau dibawa.** Membawa perkakas listrik dengan jari menempel pada tombol atau perkakas listrik dalam keadaan hidup dapat memicu kecelakaan.
- ▶ **Singkirkan kunci penyetel atau kunci pas sebelum menghidupkan perkakas listrik.** Perkakas atau kunci pas yang masih menempel pada komponen perkakas listrik yang berputar dapat menyebabkan cedera.
- ▶ **Jangan melampaui batas. Berdirilah secara mantap dan selalu jaga keseimbangan.** Hal ini akan

memberikan kontrol yang lebih baik terhadap perkakas listrik pada situasi yang tak terduga.

- ▶ **Kenakan pakaian dengan wajar. Jangan mengenakan perhiasan atau pakaian yang longgar. Jauhkan rambut dan pakaian dari komponen yang bergerak.** Pakaian yang longgar, rambut panjang, atau perhiasan dapat tersangkut dalam komponen yang bergerak.
- ▶ **Jika disediakan perangkat untuk sambungan pengisapan debu dan alat pengumpulan, pastikan perangkat tersebut terhubung dan digunakan dengan benar.** Penggunaan alat pengumpulan dapat mengurangi bahaya yang disebabkan oleh debu.
- ▶ **Jangan berpuas diri dan mengabaikan prinsip keselamatan karena terbiasa mengoperasikan perkakas.** Tindakan yang kurang hati-hati dapat mengakibatkan cedera serius dalam waktu sepersekian detik.

Penggunaan dan pemeliharaan perkakas listrik

- ▶ **Jangan memaksakan perkakas listrik. Gunakan perkakas listrik yang sesuai untuk pekerjaan yang dilakukan.** Perkakas listrik yang sesuai akan bekerja dengan lebih baik dan aman sesuai tujuan penggunaan.
- ▶ **Jangan gunakan perkakas listrik dengan switch yang tidak dapat dioperasikan.** Perkakas listrik yang switchnya yang tidak berfungsi dapat menimbulkan bahaya dan harus diperbaiki.
- ▶ **Lepaskan steker dari sumber listrik dan/atau lepas baterai, jika dapat dilepaskan dari perkakas listrik sebelum menyatel, mengganti aksesoris, atau menyimpan perkakas listrik.** Tindakan preventif akan mengurangi risiko menghidupkan perkakas listrik secara tidak disengaja.
- ▶ **Jauhkan dan simpan perkakas listrik dari jangkauan anak-anak dan jangan biarkan orang-orang yang tidak mengetahui cara menggunakan perkakas listrik, mengoperasikan perkakas listrik.** Perkakas listrik dapat membahayakan jika digunakan oleh orang-orang yang tidak terlatih.
- ▶ **Lakukan pemeliharaan perkakas listrik dan aksesoris. Periksa komponen yang bergerak apabila tidak lurus atau terikat, kerusakan komponen, dan kondisi lain yang dapat mengganggu pengoperasian perkakas listrik. Apabila rusak, perbaiki perkakas listrik sebelum digunakan.** Kecelakaan sering terjadi karena perkakas listrik tidak dirawat dengan baik.
- ▶ **Jaga ketajaman dan kebersihan alat.** Alat pemotong dengan pisau pemotong yang tajam dan dirawat dengan baik tidak akan mudah tersangkut dan lebih mudah dikendalikan.
- ▶ **Gunakan perkakas listrik, aksesoris, dan komponen perkakas dll sesuai dengan petunjuk ini, dengan mempertimbangkan kondisi kerja dan pekerjaan yang akan dilakukan.** Penggunaan perkakas listrik untuk tujuan berbeda dari fungsinya dapat menyebabkan situasi yang berbahaya.

- ▶ **Jaga gagang dan permukaan genggam agar tetap kering, bersih, dan bebas dari minyak dan lemak.** Gagang dan permukaan genggam yang licin tidak menjamin keamanan kerja dan kontrol alat yang baik pada situasi yang tidak terduga.

Servis

- ▶ **Minta teknisi berkualifikasi untuk menyervis perkakas listrik dengan hanya menggunakan suku cadang yang identik.** Dengan demikian, hal ini akan memastikan keamanan perkakas listrik.

Petunjuk keselamatan untuk hammer

Petunjuk keselamatan untuk semua pengoperasian

- ▶ **Kenakan sumbat telinga.** Suara bising alat dapat menyebabkan berkurangnya pendengaran.
- ▶ **Gunakan handle tambahan, jika tersedia.** Kehilangan kendali dapat menyebabkan cedera.
- ▶ **Pegang perkakas listrik pada permukaan gagang isolator saat digunakan, karena aksesoris pemotong atau alat pengencang dapat saja bersentuhan dengan kabel yang tidak terlihat atau kabelnya sendiri.** Aksesoris pemotong dan alat pengencang yang bersentuhan dengan kabel yang dialiri listrik dapat menyebabkan terbukanya bagian logam dari alat yang dialiri listrik sehingga berisiko mengakibatkan sengatan listrik pada operator.

Petunjuk keselamatan saat menggunakan mata bor panjang dengan rotary hammer

- ▶ **Selalu hidupkan alat bor pada kecepatan rendah dengan ujung mata bor menyentuh benda kerja.** Pada kecepatan yang tinggi, mata bor akan membengkok jika berputar secara bebas tanpa menyentuh benda kerja dan dapat menyebabkan cedera terhadap pengguna.
- ▶ **Tekan hanya pada garis langsung dengan mata bor dan jangan tekan secara berlebihan.** Mata bor dapat membengkok dan menyebabkan kerusakan atau hilang kendali sehingga menyebabkan cedera terhadap pengguna.

Petunjuk keselamatan tambahan

- ▶ **Segera matikan perkakas listrik jika alat tambahan terkunci. Bersiaplah dengan reaksi tinggi yang menyebabkan sentakan.** Alat tambahan akan terkunci jika perkakas listrik mengalami kelebihan beban atau perkakas bergerak miring pada benda kerja.
- ▶ **Gunakanlah alat detektor logam yang cocok untuk mencari kabel dan pipa yang tidak terlihat atau hubungi perusahaan pengadaan setempat.** Sentuhan dengan kabel-kabel listrik dapat mengakibatkan api dan kontak listrik. Pipa gas yang rusak dapat mengakibatkan ledakan. Pipa air yang rusak mengakibatkan kerusakan barang-barang atau dapat mengakibatkan kontak listrik.
- ▶ **Sebelum meletakkan perkakas listrik, tunggulah hingga perkakas berhenti berputar.** Alat kerja dapat tersangkut dan menyebabkan perkakas listrik tidak dapat dikendalikan.

- ▶ **Gunakan alat kerja dengan aman.** Benda yang ditahan dalam alat pemegang atau bais lebih aman daripada benda yang dipegang dengan tangan.
- ▶ **Jangan menyentuh alat sisipan atau bagian housing yang berdekatan sesaat setelah pengoperasian.** Alat sisipan atau housing tersebut dapat menjadi sangat panas selama pengoperasian sehingga menyebabkan luka bakar.
- ▶ **Alat sisipan dapat terhenti saat pengeboran. Pegang erat perkakas listrik dengan kedua tangan dan pastikan Anda berdiri di posisi yang aman.** Jika tidak, Anda dapat kehilangan kendali atas perkakas listrik.
- ▶ **Berhati-hatilah saat menghancurkan suatu objek dengan pahat.** Serpihan-serpihan yang jatuh dari material yang dihancurkan dapat mencederai Anda atau orang di sekitar Anda.

Spesifikasi produk dan performa



Bacalah semua petunjuk keselamatan dan petunjuk penggunaan. Kesalahan dalam menjalankan petunjuk keselamatan dan petunjuk penggunaan dapat mengakibatkan kontak listrik, kebakaran, dan/atau luka-luka yang berat.

Perhatikan ilustrasi yang terdapat pada sisi sampul panduan pengoperasian.

Tujuan penggunaan

Perkakas listrik ini cocok untuk pengeboran benda keras pada beton, batu bata dan batu-batuan serta untuk pekerjaan memahat yang ringan. Perkakas listrik juga cocok untuk mengebor tanpa getaran pada kayu, logam, keramik dan bahan sintesis. Perkakas listrik dengan penyetelan elektronik dan arah putaran ke kanan/kiri juga cocok untuk menyekrup.

Ilustrasi komponen

Nomor-nomor dari bagian-bagian perkakas pada gambar sesuai dengan gambar perkakas listrik pada halaman bergambar.

- (1) Keyless chuck^{a)}
 - (2) Chuck bor SDS plus
 - (3) Dudukan alat kerja SDS plus
 - (4) Kap pelindung debu
 - (5) Selongsong pengunci
 - (6) Tombol pengunci untuk tombol on/off
 - (7) Tombol on/off
 - (8) Switch arah putaran
 - (9) Tombol pelepas kunci untuk switch getaran/penghenti putaran
 - (10) Switch getaran/penghenti putaran
 - (11) Tombol untuk pengaturan pembatas kedalaman
 - (12) Gagang tambahan (permukaan genggam berisolator)
 - (13) Pembatas kedalaman
 - (14) Gagang (permukaan genggam berisolator)
 - (15) Sekrup pengunci untuk chuck bor bergerigi^{a)}
 - (16) Chuck bor bergerigi^{a)}
 - (17) Batang pemasang SDS plus untuk chuck bor^{a)}
 - (18) Selongsong depan keyless chuck^{a)}
 - (19) Selongsong belakang keyless chuck^{a)}
 - (20) Lubang pengisian Saugfix^{a)}
 - (21) Baut penjepit Saugfix^{a)}
 - (22) Pembatas kedalaman Saugfix^{a)}
 - (23) Pipa teleskopik Saugfix^{a)}
 - (24) Baut kupu-kupu Saugfix^{a)}
 - (25) Pipa pemandu Saugfix^{a)}
 - (26) Holder universal dengan batang pemasang SDS plus^{a)}
- a) Aksesori yang ada pada gambar atau yang dijelaskan tidak termasuk dalam lingkup pengiriman standar. Semua aksesori yang ada dapat Anda lihat dalam program aksesori kami.

Data teknis

| Bor hammer | GBH 220 | |
|--|-------------------|--------|
| Nomor seri | 3 611 BA6 0.. | |
| Input daya nominal | W | 720 |
| Tingkat getaran | min ⁻¹ | 0–4800 |
| Daya tiap getaran sesuai dengan EPTA-Procedure 05:2016 | J | 2,0 |
| Kecepatan idle | min ⁻¹ | 0–2000 |
| Dudukan perkakas | SDS plus | |
| Diameter leher spindel | mm | 48,5 |
| Diameter pengeboran maks. | | |
| – Beton ^{A)} | mm | 22 |
| – Baja | mm | 13 |
| – Kayu | mm | 30 |
| Berat sesuai dengan EPTA-Procedure 01:2014 | kg | 2,3 |
| Tingkat perlindungan | □/II | |

A) Kinerja optimal dengan diameter mata bor 6–12 mm
Data-data berlaku untuk tegangan nominal [U] 230 V. Pada tegangan yang lebih rendah dan pada model khusus mancanegara data-data ini bisa berlainan.

Pemasangan

- ▶ **Sebelum mulai dengan pekerjaan pada perkakas listrik, tariklah steker dari stopkontak.**

Gagang tambahan

- ▶ Hanya gunakan perkakas listrik dengan gagang tambahan (12).
- ▶ Pastikan gagang tambahan selalu terpasang kuat. Jika tidak, Anda dapat kehilangan kendali atas perkakas listrik saat bekerja.

Memutar gagang tambahan (lihat gambar A)

Gagang tambahan (12) dapat digerakkan ke arah mana pun untuk memungkinkan posisi kerja yang aman dan tidak melelahkan.

- Putar bagian bawah gagang tambahan (12) berlawanan arah jarum jam dan gerakkan gagang tambahan (12) ke posisi yang diinginkan. Setelah itu, putar dan kencangkan kembali bagian bawah gagang tambahan (12) searah jarum jam.
Pastikan tali pengencang gagang tambahan berada dalam alur yang tersedia di housing.

Memilih chuck bor dan perkakas

Untuk mengebor benda keras dan memahat, diperlukan perkakas SDS-plus yang dipasang ke dalam chuck bor SDS-plus.

Perkakas tanpa SDS-plus (misalnya bor dengan batang berbentuk silinder) digunakan untuk pengeboran tanpa getaran pada kayu, logam, keramik dan bahan sintetis serta untuk penyekrapan. Untuk perkakas ini, diperlukan chuck bor pengencangan cepat atau chuck bor bergigi.

Mengganti chuck bor

Memasang keyless chuck/chuck bor bergigi (lihat gambar B)

- Pasang batang pemasang SDS plus (17) ke dalam keyless chuck (1)/chuck bor bergigi (16). Kencangkan keyless chuck (1)/chuck bor bergigi (16) dengan sekrup pengunci (15). Perhatikan apakah sekrup pengunci memiliki ulir yang berputar ke arah kiri.

Memasang keyless chuck/chuck bor bergigi (lihat gambar B)

- Bersihkan ujung batang pemasang SDS plus (17) dan lumasi dengan sedikit minyak.
- Pasang keyless chuck (1)/chuck bor bergigi (16) dengan batang pemasang ke dalam dudukan perkakas dengan cara diputar hingga terkunci dengan sendirinya.
- Periksa penguncian dengan menarik keyless chuck (1)/chuck bor bergigi (16).

Melepaskan keyless chuck/chuck bor bergigi

- Dorong selongsong pengunci (5) ke belakang dan lepaskan keyless chuck (1)/chuck bor bergigi (16).

Mengganti perkakas

Tutup pelindung debu (4) mencegah masuknya debu pengeboran ke dalam dudukan alat kerja selama pengoperasian. Saat menggunakan perkakas, pastikan tutup pelindung debu (4) tidak rusak.

- ▶ Tutup pelindung debu yang rusak harus segera diganti. Disarankan untuk melakukannya di layanan pelangganan Bosch.

Mengganti perkakas (SDS plus)

Memasang alat sisipan SDS plus (lihat gambar C)

Dengan chuck bor SDS-plus, alat sisipan dapat diganti dengan mudah dan cepat tanpa menggunakan alat bantu.

- Bersihkan ujung alat sisipan dan lumasi dengan sedikit minyak.
- Pasang alat sisipan ke dalam dudukan alat kerja dengan diputar hingga terkunci dengan sendirinya.
- Periksa penguncian dengan menarik alat.

Alat sisipan SDS-plus harus dapat bergerak dengan bebas. Hal ini menimbulkan penyimpangan putaran sewaktu perkakas listrik berjalan pada kecepatan idle. Hal ini tidak memengaruhi ketepatan lubang bor karena mata bor memusatkan dengan sendirinya saat mengebor.

Melepaskan alat sisipan SDS plus (lihat gambar D)

- Dorong selongsong pengunci (5) ke belakang dan lepaskan alat sisipan.

Mengganti alat kerja chuck bor penggantian cepat

Memasang alat sisipan (lihat gambar E)

Catatan: Jangan menggunakan perkakas tanpa SDS plus untuk mengebor benda keras atau memahat! Perkakas tanpa SDS plus dan chuck bor akan menjadi rusak jika digunakan untuk mengebor benda keras dan memahat.

- Pasang keyless chuck (1).
- Pegang selongsong belakang (19) keyless chuck (1) dengan kuat dan putar selongsong depan (18) berlawanan arah jarum jam hingga alat dapat dipasang. Pasang alat.
- Pegang selongsong belakang keyless chuck (1) dengan kuat dan putar selongsong depan searah jarum dengan kuat menggunakan tangan hingga tidak terdengar lagi tekanan. Dengan demikian, chuck bor terkunci secara otomatis.
- Periksa kekencangannya dengan menarik alat.

Catatan: Jika dudukan alat kerja dibuka hingga maksimal, bunyi klik dapat terdengar saat menutup dudukan alat kerja dan dudukan alat kerja tidak akan menutup.

Pada situasi ini, putar selongsong depan satu kali berlawanan dengan arah panah. Lalu, dudukan alat kerja akan dapat ditutup.

- Putar switch getaran/penghenti putaran (10) ke posisi „Pengeboran“.

Melepaskan alat sisipan (lihat gambar F)

- Pegang selongsong belakang (19) keyless chuck dengan kuat. Buka dudukan alat kerja dengan memutar selongsong depan sesuai arah panah hingga alat dapat dilepaskan.

Pengisapan debu/serbuk

Debu dari bahan-bahan seperti cat yang mengandung timbal, beberapa jenis kayu, bahan mineral dan logam dapat berbahaya bagi kesehatan. Menyentuh atau menghirup debu

tersebut dapat mengakibatkan reaksi alergi dan/atau penyakit saluran pernapasan bagi pengguna atau orang yang berada di dekatnya.

Beberapa debu tertentu seperti misalnya debu kayu pohon ek atau pohon fagus silvatica dianggap dapat mengakibatkan penyakit kanker, terutama dalam campuran dengan bahan-bahan tambahan untuk pengolahan kayu (kromat, obat pengawet kayu). Bahan-bahan yang mengandung asbestos hanya boleh dikerjakan oleh orang-orang yang ahli.

- Gunakanlah hanya pengisap debu yang cocok untuk mengisap bahan yang dikerjakan.
- Pastikan terdapat ventilasi udara yang baik di tempat kerja.
- Dianjurkan untuk memakai masker anti debu dengan filter kelas P2.

Taatilah peraturan-peraturan untuk bahan-bahan yang dikerjakan yang berlaku di negara Anda.

► **Hindari debu yang banyak terkumpul di tempat kerja.**

Debu dapat tersulut dengan mudah.

Pengisapan debu dengan Saugfix (aksesori)

Memasang alat pengisap (lihat gambar G)

Untuk pengisapan debu diperlukan Saugfix (aksesori). Saat mengebor, Saugfix akan bergerak ke tempat semula sehingga ujung Saugfix selalu ditahan rapat dengan permukaan benda kerja.

- Tekan tombol untuk mengatur pembatas kedalaman (11) dan lepaskan pembatas kedalaman (13). Tekan kembali tombol (11) dan pasang Saugfix dari depan ke dalam gagang tambahan (12).
- Sambungkan slang pengisap (diameter 19 mm, aksesori) ke lubang pengisap (20).

Mesin pengisap debu harus sesuai dengan bahan yang dikerjakan.

Gunakan mesin pengisap khusus saat mengisap debu yang sangat berbahaya bagi kesehatan, pemicu kanker atau debu kering.

Mengatur kedalaman pengeboran pada Saugfix (lihat gambar H)

Kedalaman pengeboran yang diinginkan **X** juga dapat diatur pada Saugfix yang terpasang.

- Dorong alat sisipan SDS-plus ke dalam dudukan alat kerja SDS-plus (3) hingga maksimal. Alat kerja SDS-plus yang goyah dapat menyebabkan kesalahan dalam penysetelan kedalaman bor.
- Kendurkan baut kupu-kupu (24) pada Saugfix.
- Pasang perkakas listrik dengan kuat tanpa menghidupkannya pada permukaan yang akan dibor. Alat kerja SDS-plus harus mengenai permukaan yang dibor.
- Posisikan pipa pemandu (25) Saugfix pada penahannya sedemikian rupa hingga ujung Saugfix berada pada permukaan yang akan dibor. Jangan terus mendorong pipa pemandu (25) pada pipa teleskopik (23) dari yang diperlukan agar sebagian besar skala pada pipa teleskopik (23) tetap terlihat.

- Kencangkan kembali baut kupu-kupu (24). Kendurkan baut penjepit (21) pada pembatas kedalaman Saugfix.
- Geser pembatas kedalaman (22) pada pipa teleskopik (23) sedemikian rupa hingga jarak **X** yang ditunjukkan pada gambar sesuai dengan kedalaman pengeboran yang diinginkan.
- Kencangkan baut penjepit (21) di posisi ini.

Penggunaan

Pengoperasian pertama kali


- **Perhatikan tegangan listrik! Tegangan jaringan listrik harus sesuai dengan tegangan listrik yang tercantum pada label tipe perkakas listrik. Perkakas listrik dengan daya sebesar 230 V seperti yang diindikasikan pada label dapat juga dioperasikan pada daya 220 V.**

Mengatur mode pengoperasian


Pilih mode pengoperasian perkakas listrik menggunakan switch getaran/penghenti putaran (10).


- Untuk mengganti mode pengoperasian, tekan tombol rilis (9) dan putar switch getaran/penghenti putaran (10) ke posisi yang diinginkan hingga switch terdengar mengunci.

Catatan: Hanya ubah mode pengoperasian saat perkakas listrik dimatikan! Jika tidak, perkakas listrik dapat rusak.

 Posisi untuk **Pengeboran benda keras** pada beton atau batu

 Posisi untuk **Pengeboran** tanpa getaran pada kayu, logam, keramik dan bahan sintesis serta untuk **Penyekrupan**

 Posisi **Vario-Lock** untuk penyesuaian posisi pahat
Switch getaran/penghenti putaran (10) tidak mengunci pada posisi ini.

 Posisi untuk **Pemahatan**

Mengatur arah putaran (lihat gambar I)

Arah putaran perkakas listrik dapat diubah menggunakan switch arah putaran (8). Namun, hal ini tidak dapat dilakukan jika tombol on/off (7) ditekan.

- **Te kan switch arah putaran (8) hanya saat perkakas listrik sedang tidak beroperasi.**

Selalu atur arah putaran ke kanan untuk mengebor benda keras, mengebor biasa dan memahat.

- **Putaran ke kanan:** Untuk mengebor dan menyekrup, tekan switch arah putaran (8) ke kiri hingga maksimal.
- **Putaran ke kiri:** Untuk mengendurkan atau melepas sekrup dan mur, tekan switch arah putaran (8) ke kanan hingga maksimal.

Menyalakan/mematikan

- Untuk **menyalakan** perkakas listrik, tekan tombol on/off (7).
- Untuk **mengunci** tombol on/off (7), tekan dan tahan tombol serta tekan tombol pengunci (6).
- Untuk **mematikan** perkakas listrik, lepaskan tombol on/off (7). Jika tombol on/off (7) terkunci, tekan tombol terlebih dulu kemudian lepaskan.

Mengatur kecepatan putaran/tingkat getaran

Kecepatan putaran/tingkat getaran dari perkakas listrik yang dihidupkan dapat diatur terus-menerus bergantung seberapa kuat tombol on/off (7) ditekan.

Jika tombol on/off (7) ditekan singkat, kecepatan putaran/tingkat getaran akan menjadi rendah. Jika tombol ditekan kuat, kecepatan putaran/tingkat getaran akan bertambah.

Mengubah posisi pahat (Vario Lock)

Pahat dapat dikunci pada 13 posisi. Dengan demikian, posisi kerja yang optimal dapat diperoleh.

- Masukkan pahat ke dalam dudukan alat kerja.
- Putar switch getaran/penghenti putaran (10) ke posisi "Vario-Lock".
- Putar alat sisipan ke posisi pahat yang diinginkan.
- Putar switch getaran/penghenti putaran (10) ke posisi "Pemahatan". Dudukan alat kerja kemudian akan terkunci.
- Untuk memahat, atur arah putaran ke kanan.

Pemahatan dengan fungsi penguncian

Untuk memahat dalam waktu lama tanpa selalu menekan tombol on/off (7), kunci tombol on/off pada mode pengoperasian "Pemahatan".

- Untuk **mengunci**, tekan tombol on/off (7) hingga maksimal dan tekan tombol pengunci (6) secara bersamaan.
- Untuk **mematikan**, tekan kembali tombol pengunci (6).

Catatan: Jika mode pengoperasian diubah selama tombol on/off terkunci, perkakas listrik akan mati dengan sendirinya.

Petunjuk pengoperasian

- ▶ **Pasang perkakas listrik pada mur/sekrop hanya saat dalam keadaan mati.** Alat sisipan yang berputar dapat tergelincir.

Mengatur kedalaman pengeboran (lihat gambar J)

Dengan pembatas kedalaman (13), kedalaman lubang X yang diinginkan dapat ditetapkan.

- Tekan tombol untuk mengatur pembatas kedalaman (11) dan pasang pembatas kedalaman ke gagang tambahan (12).
Permukaan yang menonjol pada pembatas kedalaman (13) harus menghadap ke bawah.
- Dorong alat sisipan SDS plus ke dalam dudukan alat kerja SDS plus (3) hingga maksimal. Alat kerja SDS plus yang goyah dapat menyebabkan kesalahan dalam penyetelan kedalaman bor.

- Tarik pembatas kedalaman hingga jarak antara ujung mata bor dan ujung pembatas kedalaman sesuai dengan kedalaman pengeboran X yang diinginkan.

Kopling beban berlebih

- ▶ **Jika alat sisipan terjepit atau tersangkut, maka daya penggerak ke spindel bor akan terhenti. Akibat daya yang timbul, tahan selalu perkakas listrik dengan kuat menggunakan kedua tangan dan ambil pijakan yang kuat.**
- ▶ **Jika perkakas listrik macet, matikan perkakas listrik dan lepaskan alat sisipan. Jika perkakas listrik dihidupkan dengan kondisi mesin bor masih macet, hal ini dapat menyebabkan terjadinya torsi reaksi yang besar.**

Memasang mata obeng (lihat gambar K)

- ▶ **Pasang perkakas listrik pada mur/sekrop hanya saat dalam keadaan mati.** Alat sisipan yang berputar dapat tergelincir.

Untuk menggunakan mata obeng diperlukan holder universal (26) dengan batang pemasang SDS plus (aksesori).

- Bersihkan ujung batang pemasang dan lumasi dengan sedikit minyak.
- Pasang holder universal dengan cara diputar ke dalam dudukan alat kerja hingga terkunci dengan sendirinya.
- Periksa penguncian dengan menarik holder universal.
- Pasang mata obeng ke dalam holder universal. Hanya gunakan mata obeng yang sesuai dengan kepala sekrop.
- Untuk melepaskan holder universal, dorong selongsong pengunci (5) ke belakang dan lepaskan holder universal (26) dari dudukan alat kerja.

Perawatan dan servis

Perawatan dan pembersihan

- ▶ **Sebelum mulai dengan pekerjaan pada perkakas listrik, tariklah steker dari stopkontak.**
- ▶ **Perkakas listrik dan lubang ventilasi harus selalu dibersihkan agar perkakas dapat digunakan dengan baik dan aman.**

Jika kabel listrik harus diganti, pekerjaan ini harus dilakukan oleh **Bosch** atau Service Center untuk perkakas listrik **Bosch** resmi agar keselamatan kerja selalu terjamin.

- ▶ **Tutup pelindung debu yang rusak harus segera diganti. Direkomendasikan untuk melakukannya di layanan pelanggan Bosch.**
- Bersihkan dudukan alat kerja (3) setiap kali selesai digunakan.

Layanan pelanggan dan konsultasi penggunaan

Layanan pelanggan Bosch menjawab semua pertanyaan Anda tentang reparasi dan perawatan serta tentang suku cadang produk ini. Gambaran teknis (exploded view) dan informasi mengenai suku cadang dapat ditemukan di:

www.bosch-pt.com

Tim konsultasi penggunaan Bosch akan membantu Anda menjawab pertanyaan seputar produk kami beserta aksesorinya.

Jika Anda hendak menanyakan sesuatu atau memesan suku cadang, selalu sebutkan nomor model yang terdiri dari 10 angka dan tercantum pada label tipe produk.

Indonesia

PT Robert Bosch
Palma Tower 10th Floor
Jalan RA Kartini II-S Kaveling 6
Pondok Pinang, Kebayoran Lama
Jakarta Selatan 12310
Tel.: (021) 3005 5800
Fax: (021) 3005 5801
E-Mail: boschpowertools@id.bosch.com
www.bosch-pt.co.id

Alamat layanan lainnya dapat ditemukan di:

www.bosch-pt.com/serviceaddresses

Cara membuang

Perkakas listrik, aksesoris, dan kemasan sebaiknya didaur ulang secara ramah lingkungan.



Jangan membuang perkakas listrik ke dalam tempat sampah rumah tangga!

Tiếng Việt

Hướng dẫn an toàn

Hướng dẫn an toàn chung cho dụng cụ điện

⚠ CẢNH BÁO

Hãy đọc toàn bộ các cảnh báo an toàn, hướng dẫn,

hình ảnh và thông số kỹ thuật được cung cấp cho dụng cụ điện cầm tay này. Không tuân thủ mọi hướng dẫn được liệt kê dưới đây có thể bị điện giật, gây cháy và /hay bị thương tật nghiêm trọng.

Hãy giữ tất cả tài liệu về cảnh báo và hướng dẫn để tham khảo về sau.

Thuật ngữ "dụng cụ điện cầm tay" trong phần cảnh báo là để cập đến sự sử dụng dụng cụ điện cầm tay của bạn, loại sử dụng điện nguồn (có dây cắm điện) hay vận hành bằng pin (không dây cắm điện).

Khu vực làm việc an toàn

- ▶ **Giữ nơi làm việc sạch và đủ ánh sáng.** Nơi làm việc bừa bộn và tối tăm dễ gây ra tai nạn.
- ▶ **Không vận hành dụng cụ điện cầm tay trong môi trường dễ gây nổ, chẳng hạn như nơi có chất lỏng dễ cháy, khí đốt hay rác.** Dụng cụ

điện cầm tay tạo ra các tia lửa nên có thể làm rác bén cháy hay bốc khói.

- ▶ **Không để trẻ em hay người đến xem đứng gần khi vận hành dụng cụ điện cầm tay.** Sự phân tâm có thể gây ra sự mất điều khiển.

An toàn về điện

- ▶ **Phích cắm của dụng cụ điện cầm tay phải thích hợp với ổ cắm. Không bao giờ được cải biến lại phích cắm dưới mọi hình thức. Không được sử dụng phích tiếp hợp nối tiếp đất (dây mát).** Phích cắm nguyên bản và ổ cắm đúng loại sẽ làm giảm nguy cơ bị điện giật.
- ▶ **Tránh không để thân thể tiếp xúc với đất hay các vật có bề mặt tiếp đất như đường ống, lò sưởi, hàng rào và tủ lạnh.** Có nhiều nguy cơ bị điện giật hơn nếu cơ thể bạn bị tiếp hay nối đất.
- ▶ **Không được để dụng cụ điện cầm tay ngoài mưa hay ở tình trạng ẩm ướt.** Nước vào máy sẽ làm tăng nguy cơ bị điện giật.
- ▶ **Không được lạm dụng dây dẫn điện. Không bao giờ được nắm dây dẫn để xách, kéo hay rút phích cắm dụng cụ điện cầm tay. Không để dây gần nơi có nhiệt độ cao, dầu nhớt, vật nhọn bén và bộ phận chuyển động.** Làm hỏng hay cuộn rối dây dẫn làm tăng nguy cơ bị điện giật.
- ▶ **Khi sử dụng dụng cụ điện cầm tay ngoài trời, dùng dây nối thích hợp cho việc sử dụng ngoài trời làm giảm nguy cơ bị điện giật.**
- ▶ **Nếu việc sử dụng dụng cụ điện cầm tay ở nơi ẩm ướt là không thể tránh được, dùng thiết bị ngắt mạch tự động (RCD) bảo vệ nguồn.** Sử dụng thiết bị ngắt mạch tự động RCD làm giảm nguy cơ bị điện giật.

An toàn cá nhân

- ▶ **Hãy tỉnh táo, biết rõ mình đang làm gì và hãy sử dụng ý thức khi vận hành dụng cụ điện cầm tay. Không sử dụng dụng cụ điện cầm tay khi đang mệt mỏi hay đang bị tác động do chất gây nghiện, rượu hay được phẩm gây ra.** Một thoáng mất tập trung khi đang vận hành dụng cụ điện cầm tay có thể gây thương tật nghiêm trọng cho bản thân.
- ▶ **Sử dụng trang bị bảo hộ cá nhân. Luôn luôn đeo kính bảo vệ mắt.** Trang bị bảo hộ như khẩu trang, giày chống trượt, nón bảo hộ, hay dụng cụ bảo vệ tai khi được sử dụng đúng nơi đúng chỗ sẽ làm giảm nguy cơ thương tật cho bản thân.
- ▶ **Phòng tránh máy khởi động bất ngờ. Bảo đảm công tắc máy ở vị trí tắt trước khi cắm vào nguồn điện và/hay lắp pin vào, khi nhắc máy lên hay khi mang xách máy.** Ngáng ngón tay vào công tắc máy để xách hay kích hoạt dụng cụ điện cầm tay khi công tắc ở vị trí mở dễ dẫn đến tai nạn.

- ▶ **Lấy mọi chia hay khóa điều chỉnh ra trước khi mở điện dụng cụ điện cầm tay.** Khóa hay chia còn gắn dính vào bộ phận quay của dụng cụ điện cầm tay có thể gây thương tích cho bản thân.
- ▶ **Không rướn người. Luôn luôn giữ tư thế đứng thích hợp và thăng bằng.** Điều này tạo cho việc điều khiển dụng cụ điện cầm tay tốt hơn trong mọi tình huống bất ngờ.
- ▶ **Trang phục thích hợp. Không mặc quần áo rộng lủng thụng hay mang trang sức. Giữ tóc và quần áo xa khỏi các bộ phận chuyển động.** Quần áo rộng lủng thụng, đồ trang sức hay tóc dài có thể bị cuốn vào các bộ phận chuyển động.
- ▶ **Nếu có các thiết bị đi kèm để nối máy hút bụi và các phụ kiện khác, bảo đảm các thiết bị này được nối và sử dụng tốt.** Việc sử dụng các thiết bị gom hút bụi có thể làm giảm các độc hại liên quan đến bụi gây ra.
- ▶ **Không để thói quen do sử dụng thường xuyên dụng cụ khiến bạn trở nên chủ quan và bỏ qua các quy định an toàn dụng cụ.** Một hành vi bất cẩn có thể gây ra thương tích nghiêm trọng chỉ trong tích tắc.

Sử dụng và bảo dưỡng dụng cụ điện cầm tay

- ▶ **Không được ép máy. Sử dụng dụng cụ điện cầm tay đúng loại theo đúng ứng dụng của bạn.** Dụng cụ điện cầm tay nào mà không thể điều khiển được bằng công tắc là nguy hiểm và phải được sửa chữa.
- ▶ **Không sử dụng dụng cụ điện cầm tay nếu như công tắc không tắt và mở được.** Bất kỳ dụng cụ điện cầm tay nào mà không thể điều khiển được bằng công tắc là nguy hiểm và phải được sửa chữa.
- ▶ **Rút phích cắm ra khỏi nguồn điện và/hay pin ra khỏi dụng cụ điện cầm tay nếu có thể tháo được, trước khi tiến hành bất kỳ điều chỉnh nào, thay phụ kiện, hay cất dụng cụ điện cầm tay.** Các biện pháp ngăn ngừa như vậy làm giảm nguy cơ dụng cụ điện cầm tay khởi động bất ngờ.
- ▶ **Cất giữ dụng cụ điện cầm tay không dùng tới nơi trẻ em không lấy được và không cho người chưa từng biết dụng cụ điện cầm tay hay các hướng dẫn này sử dụng dụng cụ điện cầm tay.** Dụng cụ điện cầm tay nguy hiểm khi ở trong tay người chưa được chỉ cách sử dụng.
- ▶ **Bảo quản dụng cụ điện cầm tay và các phụ kiện.** Kiểm tra xem các bộ phận chuyển động có bị sai lệch hay kẹt, các bộ phận bị rạn nứt và các tình trạng khác có thể ảnh hưởng đến sự vận hành của máy. Nếu bị hư hỏng, phải sửa chữa máy trước khi sử dụng. Nhiều tai

nạn xảy ra do bảo quản dụng cụ điện cầm tay tồi.

- ▶ **Giữ các dụng cụ cắt bén và sạch.** Bảo quản đúng cách các dụng cụ cắt có cạnh cắt bén làm giảm khả năng bị kẹt và dễ điều khiển hơn.
- ▶ **Sử dụng dụng cụ điện cầm tay, phụ kiện, đầu cài v. v., đúng theo các chỉ dẫn này, hãy lưu ý đến điều kiện làm việc và công việc phải thực hiện.** Sự sử dụng dụng cụ điện cầm tay khác với mục đích thiết kế có thể tạo nên tình huống nguy hiểm.
- ▶ **Giữ tay cầm và bề mặt nắm luôn khô ráo, sạch sẽ và không dính dầu mỡ.** Tay cầm và bề mặt nắm trơn trượt không đem lại thao tác an toàn và kiểm soát dụng cụ trong các tình huống bất ngờ.

Bảo dưỡng

- ▶ **Đưa dụng cụ điện cầm tay của bạn đến thợ chuyên môn để bảo dưỡng, chỉ sử dụng phụ tùng đúng chủng loại để thay.** Điều này sẽ đảm bảo sự an toàn của máy được giữ nguyên.

Hướng dẫn an toàn về bụi

Hướng dẫn an toàn cho mọi hoạt động

- ▶ **Đeo bảo vệ tai.** Tiếp xúc với tiếng ồn có thể làm mất khả năng nghe.
- ▶ **Sử dụng (các) tay cầm phụ, nếu được cung cấp kèm theo dụng cụ.** Mất điều khiển có thể gây ra thương tích cho người.
- ▶ **Chỉ cầm dụng cụ điện tại các bề mặt cầm nắm có cách điện, khi thực hiện một thao tác tại vị trí mà phụ kiện cắt hoặc dụng cụ kẹp có thể tiếp xúc với dây điện ngầm hoặc dây điện của thiết bị.** Phụ kiện cắt hoặc dụng cụ kẹp tiếp xúc với dây có điện có thể làm cho các phần kim loại hở của dụng cụ điện cầm tay có điện và có thể gây ra điện giật cho người vận hành.

Hướng dẫn an toàn khi sử dụng các mũi khoan dài với máy khoan búa kiểu xoay

- ▶ **Luôn khởi động khoan ở tốc độ thấp và với đầu mũi khoan tiếp xúc với phôi gia công.** Ở tốc độ cao hơn, mũi khoan có thể bị cong nếu cho phép xoay tự do mà không cho tiếp xúc với phôi gia công, dẫn đến thương tích cho người.
- ▶ **Chỉ dùng áp lực vào đường trục tiếp bằng mũi khoan và không dùng áp lực dục.** Mũi khoan có thể cong, dẫn đến bị gãy hoặc mất kiểm soát, gây thương tích cho người.

Các cảnh báo phụ thêm

- ▶ **Tắt dụng cụ điện ngay nếu phụ tùng bị chặn. Hãy chuẩn bị cho những mô-men phản ứng cao, mà gây ra sự dội ngược.** Phụ tùng bị chặn, nếu dụng cụ điện bị quá tải hoặc bị kẹt trong phôi gia công cần gia công.
- ▶ **Dùng thiết bị dò tìm thích hợp để xác định nếu có các công trình công cộng lắp đặt**

ngâm trong khu vực làm việc hay liên hệ với Cty công trình công cộng địa phương để nhờ hỗ trợ. Dụng cụ dẫn điện có thể gây ra hỏa hoạn và điện giật. Làm hư hại đường dẫn khí ga có thể gây nổ. Làm thủng đường dẫn nước gây hư hỏng tài sản hay có khả năng gây ra điện giật.

- ▶ **Luôn luôn đợi cho máy hoàn toàn ngừng hẳn trước khi đặt xuống.** Dụng cụ lắp vào máy có thể bị kẹp chặt dẫn đến việc dụng cụ điện cầm tay bị mất điều khiển.
- ▶ **Kẹp chặt vật gia công.** Vật gia công được kẹp bằng một thiết bị kẹp hay bằng ê-tô thì vững chắc hơn giữ bằng tay.
- ▶ **Không chạm vào bất kỳ dụng cụ hoặc bộ phận vỏ gắn kể nào ngay sau khi vận hành.** Chúng có thể rất nóng trong quá trình vận hành và gây bỏng.
- ▶ **Dụng cụ gài có thể chặn khi khoan. Giữ dụng cụ điện thật chắc bằng cả hai tay và giữ tư thế đứng cho thích hợp và cân bằng.** Bạn có thể mất kiểm soát thông qua dụng cụ điện.
- ▶ **Cẩn thận với công việc phá dỡ bằng máy đục.** Các mảnh vỡ của vật liệu phá dỡ rơi xuống có thể gây thương tích cho người xung quanh hoặc chính bạn.

Mô Tả Sản Phẩm và Đặc Tính Kỹ Thuật



Đọc kỹ mọi cảnh báo an toàn và mọi hướng dẫn. Không tuân thủ mọi cảnh báo và hướng dẫn được liệt kê dưới đây có thể bị điện giật, gây cháy và / hay bị thương tật nghiêm trọng.

Xin lưu ý các hình minh hoạt trong phần trước của hướng dẫn vận hành.

Sử dụng đúng cách

Máy được thiết kế để khoan có động tác búa vào bê-tông, gạch và công trình nề, cũng như dành cho công việc đục không nhiều. Cũng tương tự phù hợp để khoan mà không cần va đập vào gỗ, kim loại, sứ và chất dẻo. Máy có bộ phận điều khiển điện tử và quay được chiều phải/trái cũng thích hợp cho việc bắt vít.

Các bộ phận được minh họa

Sự đánh số các biểu trưng của sản phẩm là để tham khảo hình minh họa của máy trên trang hình ảnh.


- (1) Đầu cặp mũi khoan không chia^{a)}
- (2) Đầu cặp mũi khoan SDS plus
- (3) Phần lắp dụng cụ SDS plus
- (4) Chụp ngăn bụi
- (5) Vòng khóa

- (6) Nút khoá giữ chế độ tự-chạy của công tắc Tắt/Mở
- (7) Công tắc Tắt/Mở
- (8) Gạc vận chuyển đổi chiều quay
- (9) Nút nhà khóa để sử dụng gạc chọn phương thức hoạt động
- (10) Gạc Chọn Chế Độ Hoạt Động
- (11) Nút điều chỉnh cho cỡ định độ sâu
- (12) Tay nắm phụ (có bề mặt nắm cách điện)
- (13) Cỡ định độ sâu
- (14) Tay nắm (có bề mặt nắm cách điện)
- (15) Bulông an toàn cho đầu cặp mũi khoan vành răng^{a)}
- (16) Đầu cặp mũi khoan vành răng^{a)}
- (17) Phần chuỗi tiếp hợp SDS plus cho đầu cặp mũi khoan^{a)}
- (18) Khớp vòng ngoài của mâm cặp thay nhanh không chia^{a)}
- (19) Khớp vòng trong của mâm cặp thay nhanh không chia^{a)}
- (20) Lỗ hút phụ kiện gá lắp hút bụi (Saugfix)^{a)}
- (21) Vít kẹp phụ kiện gá lắp hút bụi^{a)}
- (22) Cỡ định độ sâu phụ kiện gá lắp hút bụi^{a)}
- (23) Ống lồng phụ kiện gá lắp hút bụi^{a)}
- (24) Vít tai hồng phụ kiện gá lắp hút bụi^{a)}
- (25) Ống dẫn phụ kiện gá lắp hút bụi^{a)}
- (26) Phần lắp đầu gài phổ thông với chuỗi SDS plus^{a)}

a) Phụ tùng được trình bày hay mô tả không phải là một phần của tiêu chuẩn hàng hóa được giao kèm theo sản phẩm. Bạn có thể tham khảo tổng thể các loại phụ tùng, phụ kiện trong chương trình phụ tùng của chúng tôi.

Thông số kỹ thuật

| Khoan Búa | GBH 220 | |
|---|-------------------|--------|
| Mã số máy | 3 611 BA6 0.. | |
| Công suất vào danh định | W | 720 |
| Tần suất đập | min ⁻¹ | 0–4800 |
| Năng lượng va đập của từng hành trình dựa theo EPTA-Procedure 05:2016 | J | 2,0 |
| Tốc độ không tải | min ⁻¹ | 0–2000 |
| Phần lắp dụng cụ | SDS-plus | |
| Đường kính cổ trục | mm | 48,5 |
| đường kính mũi khoan tối đa | | |
| – Bê tông ^{A)} | mm | 22 |
| – Thép | mm | 13 |

| Khoan Búa | | GBH 220 |
|---|----|---|
| – Gỗ | mm | 30 |
| Trọng lượng theo Qui trình EPTA-Procedure 01:2014 | kg | 2,3 |
| Cấp độ bảo vệ | |  |

A) Công suất tối ưu với đường kính khoan 6–12 mm

Các giá trị đã cho có hiệu lực cho điện thế danh định [U] 230 V. Đối với điện thế thấp hơn và các loại máy dành riêng cho một số quốc gia, các giá trị này có thể thay đổi.

Sự lắp vào

- ▶ Trước khi tiến hành bất cứ việc gì trên máy, kéo phích cắm điện nguồn ra.

Tay nắm phụ

- ▶ **Chỉ vận hành máy của bạn khi đã gắn tay nắm phụ (12).**
- ▶ **Đảm bảo tay nắm phụ luôn được siết chặt.**
Bạn có thể mất kiểm soát thông qua dụng cụ điện khi làm việc.

Xoay tay nắm phụ (xem hình A)

Bạn có thể xoay tay nắm phụ (12) tùy ý, để có tư thế làm việc an toàn và ít mỏi.

- Xoay phần tay cầm dưới của tay nắm phụ (12) ngược chiều kim đồng hồ và xoay tay nắm phụ (12) vào vị trí mong muốn. Sau đó xoay mẫu tay cầm dưới của tay cầm phụ (12) theo chiều kim đồng hồ để siết chặt.

Hãy lưu ý rằng nẹp định vị của tay nắm phụ được đặt trong rãnh nằm trên vỏ máy đúng như chủ định.

Chọn Lựa Mâm Cặp Khoan và Dụng Cụ

Để đục hay khoan búa, cần phải sử dụng loại dụng cụ SDS-plus để lắp vào mâm cặp khoan SDS-plus. Để khoan không đập trên gỗ, kim loại, sứ và nhựa cũng như để bắt vít, cần dùng các dụng cụ không SDS-plus (ví dụ khoan có trục hình trụ). Đối với các dụng cụ này, cần sử dụng loại mâm cặp khoan dùng chìa hay không dùng chìa.

Thay đầu cặp mũi khoan

Lắp đầu cặp mũi khoan vành răng/đầu cặp mũi khoan tự động (xem Hình B)

- Hãy vặn vít phần chuỗi tiếp hợp SDS-plus (17) vào đầu cặp mũi khoan vành răng (1)/đầu cặp mũi khoan tự động (16). Hãy cố định chặt đầu cặp mũi khoan không chia (1)/đầu cặp mũi khoan vành răng (16) bằng bulông an toàn (15).
Chú ý rằng, vít an toàn có ren trái.

Lắp đầu cặp mũi khoan vành răng/đầu cặp mũi khoan tự động (xem Hình B)

- Làm sạch đầu cuối cầm của phần chuỗi tiếp hợp SDS plus (17) và bôi một ít mỡ.

- Lắp đầu cặp mũi khoan vành răng (1)/đầu cặp mũi khoan tự động (16) với phần chuỗi tiếp hợp vào trong phần lắp dụng cụ bằng động tác xoay cho đến khi được tự động khóa lại.
- Kiểm tra hiệu quả khóa bằng cách kéo thử đầu cặp mũi khoan vành răng (1)/đầu cặp mũi khoan tự động (16).

Tháo đầu cặp mũi khoan vành răng/đầu cặp mũi khoan tự động

- Đẩy vòng khóa (5) về phía sau và tháo đầu cặp mũi khoan không chia (1)/đầu cặp mũi khoan vành răng (16).

Thay Dụng Cụ

Chụp bảo vệ ngăn bụi (4) giúp ngăn cản phần lớn sự xâm nhập của bụi khoan vào dụng cụ trong thời gian hoạt động. Khi lắp dụng cụ vào, hãy lưu ý rằng chụp bảo vệ ngăn bụi (4) không bị làm hư hỏng.

- ▶ **Thay chụp ngăn bụi bị hỏng ngay lập tức. Chúng tôi khuyến nghị việc thay thế này do một đại lý phục vụ hậu mãi thực hiện.**

Thay đổi dụng cụ (SDS-plus)

Thay dụng cụ gài SDS-plus (xem hình C)

Mâm cặp khoan SDS-plus cho phép thay đổi dụng cụ khoan được đơn giản và tiện lợi mà không cần tới các dụng cụ phụ trợ khác.

- Làm sạch và thoa một lớp mỏng dầu bôi trơn lên chuỗi của dụng cụ.
- Lắp dụng cụ vào bằng cách xoay vận dụng cụ vào ổ lắp dụng cụ cho đến khi tự ăn vào khớp.
- Kiểm tra xem đã cài chắc chưa bằng cách kéo thử dụng cụ ra.

Theo như yêu cầu của hệ thống, dụng cụ khoan SDS-plus có thể chuyển động tự do. Điều này tạo ra sự đảo tủa tròn khi chạy không tải ở một mức nào đó. Việc này không làm ảnh hưởng đến độ chính xác của lỗ khoan, vì mũi khoan định tâm của chính nó trong khi khoan.

Tháo dụng cụ gài SDS-plus (xem Hình D)

- Đẩy vòng khóa (5) về phía sau và tháo phụ tùng.

Thay đổi khuôn đúc Mâm cặp thay nhanh không chia

Thay phụ tùng (xem hình E)

Hướng dẫn: Không sử dụng các dụng cụ không SDS-plus để khoan búa hoặc đục! Khoan hay đục có động tác búa làm hỏng dụng cụ không phải loại SDS-plus và mâm cặp của chúng.

- Hãy sử dụng đầu cặp mũi khoan không lên dây bằng chìa (1).
- Giữ chặt khớp vòng trong (19) của đầu cặp mũi khoan tự động (1) và xoay khớp vòng ngoài (18) ngược chiều kim đồng hồ cho đến khi có thể lắp được dụng cụ. Lắp dụng cụ vào.
- Giữ chặt khớp vòng trong của đầu cặp mũi khoan tự động (1) và xoay khớp vòng ngoài bằng tay theo chiều kim đồng hồ thật mạnh cho đến

khí không còn nghe thấy tiếng clic nữa. Bằng cách đó, đầu cặp mũi khoan sẽ tự động được khóa.

- Kiểm tra xem đã vào chắc chưa bằng cách kéo thử dụng cụ ra.

Hướng dẫn: Nếu bộ gá dụng cụ đã được mở ra cho đến khi dừng lại, thì khi xoay bộ gá dụng cụ có thể nghe thấy tiếng kêu rắc và bộ gá dụng cụ không tự đóng lại.

Trong trường hợp này, hãy xoay một lần ống bọc ngoài phía trước ngược hướng mũi tên. Sau đó, bộ gá dụng cụ có thể được đóng lại.

- Vận công tắc dừng xoay/dừng đập (10) vào vị trí „Khoan“.

Tháo phụ tùng (xem hình F)

- Giữ chặt khớp vòng trong (19) của đầu cặp mũi khoan tự động. Hãy mở phần lắp dụng cụ bằng cách xoay bạc lót trước theo hướng mũi tên cho đến khi dụng cụ có thể được tháo.

Hút Dăm/Bụi

Mạt bụi từ các vật liệu được sơn phủ ngoài có chứa chì trên một số loại gỗ, khoáng vật và kim loại có thể gây nguy hại đến sức khoẻ con người. Dụng cụ chạm hay hít thở các bụi này có thể làm người sử dụng hay đứng gần bị dị ứng và/hoặc gây nhiễm trùng hệ hô hấp.

Một số mặt bụi cụ thể, ví dụ như bụi gỗ sỏi hay dầu, được xem là chất gây ung thư, đặc biệt là có liên quan đến các chất phụ gia dùng xử lý gỗ (chất cromat, chất bảo quản gỗ). Có thể chỉ nên để thợ chuyên môn gia công các loại vật liệu có chứa amiăng.

- Cách xa ở mức có thể được, sử dụng hệ thống hút thích hợp cho loại vật liệu.
- Tạo không khí thông thoáng nơi làm việc.
- Khuyến nghị nên mang mặt nạ phòng độc có bộ lọc cấp P2.

Tuân thủ các quy định của quốc gia bạn liên quan đến loại vật liệu gia công.

- ▶ **Tránh không để rác tích tụ tại nơi làm việc.** Rác có thể dễ dàng bắt lửa.

Hệ thống hút bụi có phụ kiện gá lắp hút bụi (Phụ kiện)

Lắp thiết bị hút (xem hình G)

Để hút bụi, cần phải có phụ kiện gá lắp hút bụi (phụ kiện). Khi khoan, phụ kiện gá lắp hút bụi thu lại vì thế đầu của phần gá lắp luôn luôn kề sát với bề mặt lỗ khoan.

- Bấm nút điều chỉnh cỡ định độ sâu (11) và tháo cỡ định độ sâu (13). Bấm lại nút (11) và lắp phụ kiện gá lắp hút bụi từ phía trước vào tay nắm phụ (12).
- Hãy nối ống hút (Đường kính 19 mm, phụ kiện) với lỗ hút (20) của phụ kiện gá lắp hút bụi.

Máy hút bụi phải thích hợp dành cho loại vật liệu đang gia công.

Khí hút bụi khô loại đặc biệt gây nguy hại đến sức khỏe hoặc gây ra ung thư, hãy sử dụng máy hút bụi loại chuyên dụng.

Điều chỉnh độ sâu lỗ khoan ở phụ kiện gá lắp hút bụi (xem hình H)

Bạn có thể cố định độ sâu lỗ khoan mong muốn X khi lắp phụ kiện gá lắp hút bụi.

- Hãy đẩy dụng cụ gài SDS-plus vào khe cắm dụng cụ cho tới cỡ chặn (3). Nếu không, sự chuyển dịch của dụng cụ khoan SDS-plus có thể dẫn đến sự điều chỉnh sai độ sâu khoan.
- Hãy nhả vít tai hồng (24) ở phụ kiện gá lắp hút bụi.
- Không mở máy dụng cụ điện lên, ấn mạnh xuống ngay vị trí khoan. Dụng cụ khoan SDS-plus phải áp mặt lên trên bề mặt.
- Hãy di chuyển ống dẫn (25) của phụ kiện gá lắp hút bụi vào giá đỡ sao cho đầu phụ kiện gá lắp hút bụi nằm trên bề mặt cần khoan. Không đẩy ống dẫn (25) qua ống lồng (23) như mức cần thiết, để một phần lớn hết mức có thể của thước nằm trên ống lồng (23).
- Siết chặt lại vít tai hồng (24). Hãy nhả vít kẹp (21) ở cỡ định độ sâu của phụ kiện gá lắp hút bụi.
- Hãy di chuyển cỡ định độ sâu (22) trên ống lồng (23), sao cho khoảng cách đã hiển thị trong hình ảnh X tương ứng với độ sâu lỗ khoan mong muốn.
- Hãy siết chặt vít kẹp (21) tại vị trí này.

Vận Hành

Bắt Đầu Vận Hành

- ▶ **Hãy cẩn thận với nguồn điện! Điện thế nguồn phải đúng với điện thế đã ghi rõ trên nhãn máy. Dụng cụ điện được ghi 230 V cũng có thể được vận hành ở 220 V.**

Điều chỉnh chế độ vận hành

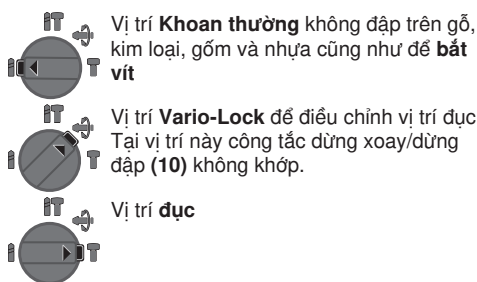
Bằng công tắc dừng xoay/dừng đập (10) hãy chọn chế độ vận hành của dụng cụ điện.

- Hãy nhấn nút mở khóa (9) để thay đổi chế độ vận hành và xoay công tắc dừng xoay/dừng đập (10) vào vị trí mong muốn, đến khi vào khớp.

Hướng dẫn: Chỉ thay đổi chế độ vận hành khi dụng cụ điện tắt! Nếu không, máy có thể bị làm hỏng.



Vị trí khoan búa trên bề mặt kim loại hoặc đá



Điều chỉnh hướng xoay (xem Hình I)

Với gạc vặn chuyển đổi chiều quay (8) bạn có thể thay đổi hướng xoay của dụng cụ điện. Tuy nhiên, việc này không thực hiện được khi công tắc Tắt/Mở được nhấn (7).

► Chỉ kích hoạt gạc vặn chuyển đổi chiều quay (8) khi dụng cụ điện đã ngừng chạy.

Luôn luôn chỉnh đặt chiều quay để khoan búa, khoan thường và đục về chiều quay phải.

- **Quay phải:** Để khoan hay bắt vít, đẩy gạc vặn chuyển đổi chiều quay (8) sang trái đến cỡ chặn.
- **Xoay ngược chiều kim đồng hồ:** Để nối lỏng hoặc tháo các vít và đai ốc hãy nhấn gạc vặn chuyển đổi chiều quay (8) sang bên phải cho tới cỡ chặn.

Bật/tắt

- Để **bật** dụng cụ điện cầm tay, bạn hãy nhấn công tắc bật/tắt (7).
- Để **khóa** công tắc bật/tắt (7), hãy bấm giữ công tắc và ấn thêm nút khóa giữ (6).
- Để **tắt** dụng cụ điện cầm tay hãy nhả công tắc bật/tắt (7). Khi công tắc bật/tắt bị khóa (7) hãy nhấn nó và sau đó nhả ra.

Chỉnh đặt Tốc độ/Tần suất Đập

Bạn có thể liên tục điều chỉnh tốc độ/tần suất đập của dụng cụ điện đang bật tùy theo mức độ bấm công tắc Tắt/Mở mạnh hay nhẹ (7).

Bấm nhẹ công tắc Tắt/Mở (7) sẽ cho tốc độ/tần suất đập thấp. Lực áp mạnh hơn lên công tắc làm tăng tốc độ và tần suất đập.

Thay Đổi Vị Trí Đục (Khóa nhiều vị trí)

Bạn có thể khóa mũi đục vào 13 các vị trí. Nhờ như vậy, ta có thể tạo tư thế thao tác tốt nhất cho từng ứng dụng.

- Lắp mũi đục vào trong ổ lắp dụng cụ.
- Vặn công tắc dừng xoay/dừng đập (10) vào vị trí „Khóa nhiều vị trí“.
- Xoay phần lắp dụng cụ về vị trí đục theo yêu cầu.
- Vặn công tắc dừng xoay/dừng đập (10) vào vị trí „Đục“. Giá đỡ dụng cụ được khóa.
- Để đục, chỉnh đặt chiều quay về chiều quay phải.

Đục với chức năng khóa giữ

Để đục lâu hơn mà không cần liên tục nhấn công tắc bật/tắt (7), hãy khóa giữ công tắc bật/tắt trong chế độ vận hành „Đục“.

- Để **khóa** hãy nhấn công tắc bật/tắt (7) cho đến cỡ chặn và đồng thời nhấn nút khóa giữ (6).
- Để **tắt**, bạn hãy nhấn lại nút khóa giữ (6).

Lưu ý: Hãy chuyển sang chế độ vận hành khác, trong khi công tắc bật/tắt được khóa, dụng cụ điện được tắt.

Hướng Dẫn Sử Dụng

► Chỉ đặt dụng cụ điện đã tắt lên đai ốc/vít.

Dụng cụ đang quay có thể bị tụt ra.

Điều chỉnh độ sâu lỗ khoan (xem Hình J)

Nhờ chốt chặn độ sâu (13), bạn có thể xác định được độ sâu lỗ khoan X mong muốn.

- Bấm nút điều chỉnh cỡ định độ sâu (11) và điều chỉnh cỡ định độ sâu trên tay nắm phụ (12). Rãnh trên cỡ định độ sâu (13) phải hướng lên trên.
- Hãy đẩy dụng cụ gài SDS-plus vào khe cắm dụng cụ cho tới cỡ chặn (3). Nếu không, sự chuyển dịch của dụng cụ khoan SDS-plus có thể dẫn đến sự điều chỉnh sai độ sâu khoan.
- Kéo chốt chặn độ sâu ra xa sao cho khoảng cách giữa mũi khoan và đầu chốt chặn độ sâu phù hợp với độ sâu lỗ khoan mong muốn X.

Khớp Ly Hợp Chống Quá Tải

- **Nếu dụng cụ lắp trong máy bị kẹt hay kẹt, lực truyền động đến trục khoan bị ngăn lại. Luôn giữ chặt dụng cụ điện bằng hai tay và đứng vững vì khi dụng cụ hoạt động sẽ phát sinh lực.**
- **Hãy tắt dụng cụ điện và tháo dụng cụ gài nếu dụng cụ điện bị vướng. Khi mở máy mà dụng cụ ứng dụng bị kẹt cứng, lực xoắn vận cao có thể xảy ra.**

Lắp đầu chia vận vít (xem Hình K)

► Chỉ đặt dụng cụ điện đã tắt lên đai ốc/vít.

Dụng cụ đang quay có thể bị tụt ra.

Để sử dụng đầu chia vận vít bạn cần có phần lắp đầu gài phổ thông (26) với chuỗi tiếp hợp SDS-plus (Phụ kiện).

- Làm sạch cán chuỗi của chuỗi tiếp hợp và bôi một lớp mỏng dầu bôi trơn lên.
- Lắp phần lắp đầu gài phổ thông bằng động tác xoay vào trong phần lắp dụng cụ cho đến khi được tự động khóa lại.
- Kiểm tra hiệu quả khóa bằng cách kéo thử phần lắp đầu gài phổ thông ra.
- Lắp đầu gài vận vít vào trong phần lắp đầu gài phổ thông. Chỉ sử dụng đầu gài vận vít vừa với đầu vít.

- Để tháo phần lắp đầu gài phổ thông hãy đẩy vòng Khóa (5) ra phía sau và tháo phần lắp đầu gài phổ thông (26) ra khỏi phần lắp dụng cụ.



Không được thải bỏ dụng cụ điện vào chung với rác sinh hoạt!

Bảo Dưỡng và Bảo Quản

Bảo Dưỡng Và Làm Sạch

- ▶ Trước khi tiến hành bất cứ việc gì trên máy, kéo phích cắm điện nguồn ra.
- ▶ Để được an toàn và máy hoạt động đúng chức năng, luôn luôn giữ máy và các khe thông gió được sạch.

Nếu như cần phải thay dây dẫn điện thì công việc này phải do hãng **Bosch**, hay một đại lý được **Bosch** ủy nhiệm thực hiện để tránh gặp sự nguy hiểm do mất an toàn.

- ▶ Thay chụp ngăn bụi bị hỏng ngay lập tức. Chúng tôi khuyến nghị việc thay thế này do một đại lý phục vụ hậu mãi thực hiện.
- Hãy làm sạch phần lắp dụng cụ (3) sau khi dùng.

Dịch vụ hỗ trợ khách hàng và tư vấn sử dụng

Bộ phận phục vụ hàng sau khi bán của chúng tôi trả lời các câu hỏi liên quan đến việc bảo dưỡng và sửa chữa các sản phẩm cũng như phụ tùng thay thế của bạn. Sơ đồ mô tả và thông tin về phụ tùng thay thế cũng có thể tra cứu theo dưới đây:

www.bosch-pt.com

Đội ngũ tư vấn sử dụng của Bosch sẽ giúp bạn giải đáp các thắc mắc về sản phẩm và phụ kiện.

Trong tất cả các phản hồi và đơn đặt phụ tùng, xin vui lòng luôn luôn nhập số hàng hóa 10 chữ số theo nhãn của hàng hóa.

Việt Nam

CN CÔNG TY TNHH BOSCH VIỆT NAM TẠI TP.HCM

Tầng 14, Ngôi Nhà Đức, 33 Lê Duẩn
Phường Bến Nghé, Quận 1, Thành Phố Hồ Chí Minh

Tel.: (028) 6258 3690

Fax: (028) 6258 3692 - 6258 3694

Hotline: (028) 6250 8555

Email: tuvankhachhang-pt@vn.bosch.com

www.bosch-pt.com.vn

www.baohanhbosch-pt.com.vn

Xem thêm địa chỉ dịch vụ tại:

www.bosch-pt.com/serviceaddresses

Sự thải bỏ

Máy, linh kiện và bao bì phải được phân loại để tái chế theo hướng thân thiện với môi trường.

مخصص للاستعمال الخارجي من خطر الصدمات الكهربائية.

◀ **إن لم يكن بالإمكان تجنب تشغيل العدة الكهربائية في الأجواء الرطبة، فاستخدم مفتاح للوقاية من التيار المتخلف.** إن استخدام مفتاح للوقاية من التيار المتخلف يقلل خطر الصدمات الكهربائية.

أمان الأشخاص

◀ **كن يقظا وانتبه إلى ما تفعله واستخدم العدة الكهربائية بتعقل.** لا تستخدم عدة كهربائية عندما تكون متعبا أو عندما تكون تحت تأثير المخدرات أو الكحول أو الأدوية. عدم الانتباه للحظة واحدة عند استخدام العدة الكهربائية قد يؤدي إلى إصابات خطيرة.

◀ **قم لارتداء تجهيزات الحماية الشخصية. وارتد دائما نظارات واقية.** يعد ارتداء تجهيزات الحماية الشخصية، كقناع الوقاية من الغبار وأحذية الأمان الواقية من الانزلاق والوذو أو واقية الأذنين، حسب ظروف استعمال العدة الكهربائية، من خطر الإصابة بجروح.

◀ **تجنب التشغيل بشكل غير مقصود.** تأكد من كون العدة الكهربائية مطفأة قبل توصيلها بالتيار الكهربائي و/أو بالمركم، وقبل رفعها أو حملها. إن كنت تضع إصبعك على المفتاح أثناء حمل العدة الكهربائية أو إن وصلت الجهاز بالشبكة الكهربائية بينما لامفتاح على وضع التشغيل، قد يؤدي إلى وقوع الحوادث.

◀ **انزع أداة الضبط أو مفتاح الربط قبل تشغيل العدة الكهربائية.** قد تؤدي الأداة أو المفتاح المتواجد في جزء دوار من الجهاز إلى الإصابة بجروح.

◀ **تجنب أوضاع الجسم غير الطبيعية.** قف بأمان وحافظ على توازنك دائما. سيسمح لك ذلك بالتمكّن في الجهاز بشكل أفضل في المواقف الغير متوقعة.

◀ **قم بارتداء ثياب مناسبة.** لا ترتد الثياب الفضفاضة أو الملّية. احرص على إبقاء الشعر والملابس بعيدا عن الأجزاء المتحركة. قد تتشابك الثياب الفضفاضة والملّية والشعر الطويل بالأجزاء المتحركة.

◀ **إن جاز تركيب تجهيزات شفت وتجميع الغبار، فتأكد من أنها موصولة وبأنه يتم استخدامها بشكل سليم.** قد يقلل استخدام تجهيزات لشفط الغبار من المخاطر الناتجة عن الغبار.

◀ **لا تستخدم العدة الكهربائية بلا مبالاة وتجاهل قواعد الأمان الخاصة بها نتيجة لتعودك على استخدام العدة الكهربائية وكثرة استخدامها.** فقد يتسبب الاستعمال دون حرص في حدوث إصابة بالغة تحدث في أجزاء من الثانية.

حسن معاملة واستخدام العدد الكهربائية

◀ **لا تفرط بتحميل الجهاز. استخدم لتفنيذ أشغالك العدة الكهربائية المخصصة لذلك.** إنك تعمل بشكل أفضل وأكثر أماناً بواسطة العدة الكهربائية الملائمة في مجال الأداء المذكور.

◀ **لا تستخدم العدة الكهربائية إن كان مفتاح تشغيلها تالف.** العدة الكهربائية التي لم يعد من

عربي

إرشادات الأمان

الإرشادات العامة للأمان بالعدد الكهربائية

تحذير

اطلع على كافة تحذيرات الأمان والتعليمات والصور والمواصفات المرفقة بالعدة الكهربائية. عدم اتباع التعليمات الواردة أدناه قد يؤدي إلى حدوث صدمة كهربائية، إلى نشوب حريق و/أو الإصابة بجروح خطيرة.

احتفظ بجميع الملاحظات التحذيرية والتعليمات للمستقبل.

يقصد بمصطلح «العدة الكهربائية» المستخدم في الملاحظات التحذيرية، العدد الكهربائي الموصولة بالشبكة الكهربائية (بواسطة كابل الشبكة الكهربائية) وأيضا العدد الكهربائي المزودة بمركم (دون كابل الشبكة الكهربائية).

الأمان بمكان الشغل

◀ **حافظ على نظافة مكان شغلك وإضاءته بشكل جيد.** الفوضى في مكان الشغل ونطاقات العمل غير المضأة قد تؤدي إلى وقوع الحوادث.

◀ **لا تشغل بالعدة الكهربائية في نطاق معرض لخطر الانفجار مثل الأماكن التي تتوفر فيه السوائل أو الغازات أو الأعبرة القابلة للاشتعال.** العدد الكهربائي تولد شررا قد يتطاير، فيشعل الأعبرة والأبخرة.

◀ **حافظ على بقاء الأطفال وغيرهم من الأشخاص بعيدا عندما تستعمل العدة الكهربائية.** تشتيت الانتباه قد يتسبب في فقدان السيطرة على الجهاز.

الأمان الكهربائي

◀ **يجب أن يتلائم قابس العدة الكهربائية مع المقبس.** لا يجوز تغيير القابس بأي حال من الأحوال. لا تستعمل القوايس المهائية مع العدد الكهربائية المؤرضة (ذات طرف أرضي). تخفّض القوايس التي لم يتم تغييرها والمقابس الملائمة من خطر الصدمات الكهربائية.

◀ **تجنب ملامسة جسمك للأسطح المؤرضة كالأنابيب والمبردات والمواقد أو التلاجات.** يزداد خطر الصدمات الكهربائية عندما يكون جسمك مؤرض أو موصل بالأرضي.

◀ **أبعد العدة الكهربائية عن الأمطار أو الرطوبة.** يزداد خطر الصدمات الكهربائية إن تسرب الماء إلى داخل العدة الكهربائية.

◀ **لا تسيّ استعمال الكابل.** لا تستخدم الكابل في حمل العدة الكهربائية أو سحبها أو سحب القابس من المقبس. احرص على إبعاد الكابل عن الحرارة والزيت والحواف الحادة أو الأجزاء المتحركة. تزيد الكابلات التالفة أو المتشابكة من خطر الصدمات الكهربائية.

◀ **عند استخدام العدة الكهربائية خارج المنزل اقتصر على استخدام كابلات التمديد الصالحة للاستعمال الخارجي.** يقلل استعمال كابل تمديد

تعليمات الأمان عند استخدام ريش ثقب طويلة مع مطارق دوارة

- ◀ احرص دائماً على بدء الثقب بسرعة منخفضة بحيث تكون رأس الريشة ملامسة لقطعة الشغل. فعلى السرعات العالية ستكون الريشة معرضة للثني في حالة دورانها بشكل حر دون لمس قطعة الشغل، مما قد يؤدي لوقوع إصابات.
- ◀ لا تضغط إلا على خط واحد مع الريشة، ولا تضغط بشكل زائد. فقد تنثني الريش، وتعرض للكسر أو تسبب فقدان السيطرة، مما يؤدي لوقوع إصابات.

إرشادات الأمان الإضافية

- ◀ أوقف العدة الكهربائية على الفور في حالة تعرض عدة الشغل للانحصار. كن مستعداً لمواجهة عزم رد الفعل العالية، والتي تسبب صدمة ارتدادية. تنحصر عدة الشغل عندما يتم التحميل بشكل زائد على العدة الكهربائية أو إذا انقضت في قطعة الشغل التي تعمل عليها.
- ◀ استخدم أجهزة تنقيب ملائمة للعثور على خطوط الامداد المحيطة غير الظاهرة، أو استعن بشركة الامداد المحلية. ملامسة الخطوط الكهربائية قد تؤدي إلى اندلاع النار وإلى الصدمات الكهربائية. حدوث أضرار ببط الغاز قد يؤدي إلى حدوث انفجارات. اختراق خط الماء يشكل الأضرار المادية أو قد يؤدي إلى الصدمات الكهربائية.
- ◀ انتظر إلى أن تتوقف العدة الكهربائية عن الحركة قبل أن تضعها جانباً. قد تتكلم عدة الشغل فتؤدي إلى فقدان السيطرة على العدة الكهربائية.
- ◀ احرص على تأمين قطعة الشغل. قطعة الشغل المثبتة بواسطة تجهيزه شد أو بواسطة الملزمة مثبتة بأمان أكبر مما لو تم الإمساك بها بواسطة يدك.
- ◀ لا تقم بلمس أدوات الشغل أو أجزاء جسم الجهاز الملامسة لها بعد التشغيل مباشرة. فقد تتعرض هذه الأجزاء للسخونة أثناء التشغيل، مما يعرضك للاحتراق في حالة لمسها.
- ◀ قد تتعرض أداة الشغل للإعاقة أثناء عملية الثقب. احرص على أن تكون في وضعية ثابتة، وأمسك الجهاز جيداً بكلتا يديك. وإلا فقد تفقد السيطرة على العدة الكهربائية.
- ◀ كن حذراً أثناء أعمال الهدم باستخدام الأزميل. قد تسبب قطع التكسير المتساقطة في إصابة الأشخاص المحيطين بك أو إصابتك أنت نفسك.

وصف المنتج والأداء

- ◀ اقرأ جميع إرشادات الأمان والتعليمات. ارتكاب الأخطاء عند تطبيق إرشادات الأمان والتعليمات، قد يؤدي إلى حدوث صدمات كهربائية أو إلى نشوب الحرائق و/أو الإصابة بجروح خطيرة.
- ◀ يرجى الرجوع إلى الصور الموجودة في الجزء الأول من دليل التشغيل.



- الممكن التحكم بها عن طريق مفتاح التشغيل والإطفاء تعتبر خطيرة ويجب أن يتم إصلاحها.
 - ◀ اسحب القابس من المقبس و/أو أخلع المركب، إذا كان قابلاً للخلع، قبل ضبط الجهاز وقبل استبدال الملحقات أو قبل تخزين الجهاز. تمنع هذه الإجراءات وقائية تشغيل العدة الكهربائية بشكل غير مقصود.
 - ◀ احتفظ بالعدد الكهربائية التي لا يتم استخدامها بعيداً عن متناول الأطفال. لا تسمح باستخدام العدة الكهربائية لمن لا خبرة له بها أو لمن لم يقرأ تلك التعليمات. العدد الكهربائية خطيرة إن تم استخدامها من قبل أشخاص دون خبرة.
 - ◀ اعتن بالعدة الكهربائية والملحقات بشكل جيد. تأكد أن أجزاء الجهاز المتحركة مركبة بشكل سليم وغير مستحسبة عن الحركة، وتفحص ما إن كانت هناك أجزاء مكسورة أو في حالة تؤثر على سلامة أداء العدة الكهربائية. ينبغي إصلاح هذه الأجزاء التالفة قبل إعادة تشغيل الجهاز. الكثير من الموادث مصدرها العدد الكهربائية التي تتم صيانتها بشكل رديء.
 - ◀ احرص على إبقاء عدد القطع نظيفة وحادة. إن عدد القطع ذات حواف القطع المادة التي تم صيانتها بعناية تتكلم بشكل أقل ويمكن توجيهها بشكل أيسر.
 - ◀ استخدم العدد الكهربائية والتوابع وريش الشغل إلخ. وفقاً لهذه التعليمات. تراعى أثناء ذلك ظروف الشغل والعمل المراد تنفيذه. استخدام العدد الكهربائية لغير الأشغال المخصصة لأجلها قد يؤدي إلى حدوث الحالات الخطيرة.
 - ◀ احرص على إبقاء المقابض وأسطح المسك جافة ونظيفة وخالية من الزيوت والشحوم. المقابض وأسطح المسك الزلقة لا تتبع التشغيل والتحكم الأمان في العدة في المواقف غير المتوقعة.
- الخدمة
- ◀ احرص على إصلاح عدتك الكهربائية فقط بواسطة العمال المتخصصين وباستعمال قطع الغيار الأصلية فقط. يضمن ذلك المحافظة على أمان الجهاز.

إرشادات الأمان للمطارق

تعليمات الأمان لكافة التطبيقات

- ◀ احرص على ارتداء واقيات للأذنين. التعرض للضوضاء قد يتسبب في فقدان السمع.
- ◀ استخدم المقبض (المقابض) الإضافية إذا كانت العدة مزودة بها. فقدان السيطرة على المعدة قد يتسبب في حدوث إصابات.
- ◀ أمسك العدة الكهربائية من أسطح المسك المعزولة عند القيام بأعمال قد يترتب عليها ملامسة ملحق القطع أو أداة الربط لأسلاك كهربائية غير ظاهرة أو للسلك الخاص بالعدة نفسها. ملامسة ملحق القطع وأدوات الربط لسلك «مكهرب» قد يتسبب في مرور التيار في الأجزاء المعدنية من العدة وجعلها مكهربة مما قد يصيب المشغل بصدمة كهربائية.

| مطرقة تثقيب | | GBH 220 |
|-------------|--------------------|---|
| 2,0 | جول | قوة الطرقة المفردة حسب EPTA-Procedure 05:2016 |
| 2000-0 | دقيقة ¹ | عدد اللفات للاحملي |
| SDS-plus | | حاضن العدة |
| 48,5 | مم | قطر عنق محور الدوران |
| | | أقصى قطر ثقب |
| 22 | مم | - الفرسانة ^(A) |
| 13 | مم | - فولاذ |
| 30 | مم | - خشب |
| 2,3 | كجم | الوزن حسب EPTA-Procedure 01:2014 |
| | | فئة الحماية |

(A) أدا- مثالي مع قطر الثقب 6-12 مم
تسري البيانات على جهد اسمي [U] يبلغ 230 فلت. قد تختلف تلك البيانات حسب اختلاف الجهد والطرقات الخاصة بكل دولة.

التركيب

◀ اسحب القابض من مقبس الشبكة الكهربائية قبل إجراء أي عمل على العدة الكهربائية.

مقبض إضافي

◀ استخدم العدة الكهربائية فقط مع المقبض الإضافي (12).

◀ تأكد دائماً أن المقبض الإضافي مربوط بإحكام. وإلا فقد تفقد السيطرة على العدة الكهربائية في أي وقت أثناء العمل.

تحريك المقبض الإضافي (انظر الصورة A)

يمكنك تحريك المقبض الإضافي (12) كما تريد للوصول إلى وضع عمل آمن ومرعب.

- أدر قطعة المقبض السفلية بالمقبض الإضافي (12) عكس اتجاه عقارب الساعة وحرك المقبض الإضافي (12) إلى الوضع المرغوب. أدر قطعة القبض السفلية بالمقبض الإضافي (12) بعد ذلك في اتجاه حركة عقارب الساعة بإحكام. انتبه إلى دخول سير شد المقبض الإضافي في الحز المخصص له بالهيكل.

اختيار ظرف ريش الثقب والعدد

لأعمال التثقيب المرفق بالطرق والنحت تحتاج إلى عدد SDS-plus التي يتم تركيب ظرف ريش الثقب SDS-plus فيها.

من أجل الثقب دون دق في الخشب والمعادن والخزف واللداين وأيضاً لربط اللوالب تستخدم العدد دون SDS-plus (مثلاً لقم تثقيب بساق اسطوانية). إنك بحاجة إلى ظرف ريش الثقب السريع الشد أو لظرف ريش الثقب المسنن الطوق من أجل هذه العدد.

الاستعمال المخصص

العدة الكهربائية مخصصة للثقب المرفق بالطرق في الفرسانة والطوب والحجر وأيضاً لإجراء أعمال النحت الخفيفة. كما أنها صالحة للثقب بلا دق في الخشب والمعادن والخزف والبلاستيك. وتصلح العدد الكهربائية المزودة بالتحكم الإلكتروني والدوران اليميني/البساري لربط اللوالب أيضاً.

الأجزاء المصورة

يشير ترقيم الأجزاء المصورة إلى رسوم العدة الكهربائية الموجودة في صفحة الرسوم التخطيطية.

- (1) ظرف ريش الثقب سريع الربط^(A)
- (2) ظرف ريش الثقب SDS plus
- (3) حاضن العدة SDS plus
- (4) غطاء الوقاية من الغبار
- (5) جلبة إقفال
- (6) زر تثبيت مفتاح التشغيل والإطفاء
- (7) مفتاح التشغيل والإطفاء
- (8) مفتاح تحويل اتجاه الدوران
- (9) زر تحرير مفتاح إيقاف الدق/الدوران
- (10) مفتاح إيقاف الدق/الدوران
- (11) زر ضبط محدد العمق
- (12) مقبض إضافي (سطح قبض معزول)
- (13) محدد العمق
- (14) مقبض (سطح قبض معزول)
- (15) لولب تأمين ظرف ريش الثقب مسنن الطوق^(A)
- (16) ظرف ريش الثقب مسنن الطوق^(A)
- (17) ساق حضن SDS plus لظرف ريش الثقب^(A)
- (18) الجلبة الأمامية لظرف ريش الثقب سريع الشد^(A)
- (19) الجلبة الخلفية لظرف ريش الثقب سريع الشد^(A)
- (20) فتحة الشفط بالشافط Saugfix^(A)
- (21) لولب القمط بالشافط Saugfix^(A)
- (22) محدد العمق بالشافط Saugfix^(A)
- (23) أنبوب متداخل بالشافط Saugfix^(A)
- (24) لولب مجنح بالشافط Saugfix^(A)
- (25) أنبوب التوجيه بالشافط Saugfix^(A)
- (26) حامل شامل مع ساق حضن SDS plus^(A)

(A) لا تتضمن إطار التوريد الاعتيادي التوابع المصورة أو المشروحة. تجد التوابع الكاملة في برنامجنا للتوابع.

البيانات الفنية

| مطرقة تثقيب | | GBH 220 |
|--------------------|-------------------|--------------|
| رقم الصنف | | 3 611 BA60.. |
| قدرة الدخل الاسمية | واط | 720 |
| عدد الطرقات | min ⁻¹ | 4800-0 |

الثقب الخاص بها لأضرار أثناء الثقب المرفق بالطرق أو النحت.

- قم بتركيب ظرف ريش الثقب سريع الربط (1).
- أمسك الجلبة الخلفية (19) الخاصة بظرف ريش الثقب سريع الربط (1) بإحكام، وأدر الجلبة الأمامية (18) عكس اتجاه عقارب الساعة إلى الحد الذي يسمح بتركيب العدة. قم بتركيب العدة.
- أمسك الجلبة الخلفية الخاصة بظرف ريش الثقب سريع الربط (1) بإحكام وأغلق الجلبة الأمامية بإدارتها في اتجاه عقارب الساعة يدويًا بقوة إلى أن يختفي صوت التعاشق تمامًا. يتم تأمين قفل ظرف ريش الثقب بذلك أوتوماتيكياً.
- تفحص إحكام الثبات من خلال سحب العدة.
- ملحوظة:** إن تم فتح حاضن العدة حتى النهاية، فقد تسمع صوت تعاشق القابض الكلابي أثناء تدوير حاضن العدة لإغلاقه ولن يغلق حاضن العدة.
- في هذه الحالة أدر الجلبة الأمامية مرة واحدة بعكس اتجاه السهم. يمكن إغلاق حاضن العدة بعد ذلك.
- أدر مفتاح إيقاف الطرق/إيقاف الدوران (10) إلى وضع «الثقب».

فك عدة الشغل (انظر الصورة F)

- أمسك الجلبة الخلفية (19) لظرف ريش الثقب سريع الشد. افتح حاضن العدة من خلال إدارة الجلبة الأمامية باتجاه السهم، إلى الحد الذي يسمح بخلع العدة.

شفط الغبار/النشارة

- إن غبار بعض المواد كالمطالء الذي يحتوي على الرصاص، وبعض أنواع الخشب والفلات والمعادن، قد تكون مضرّة بالصحة. إن ملامسة أو استنشاق غبار قد يؤدي إلى أعراض حساسية و/أو إلى أمراض الجهاز التنفسي لدى المستخدم أو لدى الأشخاص المتواجدين على مقربة من المكان.
- تعتبر بعض الأعبرة المعينة، كأعبرة البلوط والزنان، مسببة للسرطان، ولا سيما عند الارتباط بالمواد الإضافية لمعالجة الخشب (ملح حامض الكروميك، المواد الماقظة للخشب). يجوز أن يتم معالجة المواد التي تحتوي على الأسبستوس من قبل العمال المتخصصين فقط دون غيرهم.
- استخدم شاقطة غبار ملائمة للمادة قدر الإمكان.
- حافظ على تهوية مكان الشغل بشكل جيد.
- ينصح بارتداء قناع وقاية للتنفس بفتة المرشح P2. تراعى الأحكام السارية في بلدكم بالنسبة للمواد المرغوب معالجتها.
- ◀ **تجنب تراكم الغبار بمكان العمل.** يجوز أن تشتعل الأعبرة بسهولة.

شفط الغبار بالشفاط السريع (توابع)

تركيب تجهيزة الشفط (انظر الصورة G)

- يتطلب شفط الغبار للشفاط السريع (من التوابع). يرتد الشفاط السريع أثناء التثقيب بحيث يحافظ على إبقاء رأس الشفاط السريع دائماً على مقربة من السطح.
- اضغط على الزر الخاص بضغط محدد العمق (11) وقم بخلع محدد العمق (13). اضغط على الزر (11)

استبدال ظرف ريش الثقب

تركيب ظرف ريش الثقب سريع الشد/ظرف ريش الثقب المسنن الطوق (انظر الصورة B)

- قم بربط ساق حوضن SDS-plus (17) في ظرف ريش الثقب سريع الشد (1)/ظرف ريش الثقب المسنن الطوق (16). قم بتأمين ظرف ريش الثقب سريع الشد (1)/ظرف ريش الثقب المسنن الطوق (16) باستخدام لولب التأمين (15). **يراعى بأن أسنان لولبة لولب التأمين يسارية.**

استخدام ظرف ريش الثقب سريع الشد/ظرف ريش الثقب المسنن الطوق (انظر الصورة B)

- قم بتنظيف طرف إدخال ساق الحوضن SDS plus (17) وقم بتشحيمة قليلاً.
- قم بتركيب ظرف ريش الثقب سريع الشد (1)/ظرف ريش الثقب المسنن الطوق (16) مع إدارة ساق التثبيت في حاضن العدة إلى أن يتم تأمين قفله تلقائياً.
- افحص ثبات الإقفال من خلال سحب ظرف ريش الثقب سريع الشد (1)/ظرف ريش الثقب المسنن الطوق (16).

خلع ظرف ريش الثقب سريع الشد/ظرف ريش الثقب المسنن الطوق

- حرك جلبة الإقفال (5) إلى الخلف واخلع ظرف ريش الثقب سريع الربط (1)/ظرف ريش الثقب المسنن الطوق (16).

استبدال العدد

- يعمل غطاء الوقاية من الغبار (4) على منع دخول غبار الثقب إلى حاضن العدة أثناء الاستخدام. احرص أثناء استخدام العدة الكهربائية على عدم حدوث أضرار بغطاء الوقاية من الغبار (4).

◀ **يجب تغيير غطاء الوقاية من الغبار التالف على الفور.** وينصح أن يتخذ ذلك من قبل مركز خدمة العملاء.

استبدال العدد (SDS-plus)

تركيب عدة الشغل SDS-plus (انظر الصورة C)

- مع ظرف ريش الثقب SDS-plus يمكنك تغيير عدة الشغل بكل سهولة وراحة دون استخدام عدد إضافية.
- نظف طرف الإدخال بعدة الشغل وشحمه قليلاً.
- قم بتركيب عدة الشغل في حاضن العدة أثناء إدارتها إلى أن تتعاشق من تلقاء نفسها.
- افحص ثبات الإقفال من خلال جذب العدة.
- تكون عدة الشغل SDS-plus حرة الحركة وفقاً لتصميم النظام. مما يؤدي إلى انحراف دوراني عند التشغيل بلا حمل. لا يؤثر ذلك على دقة الثقب، لأن لقمة الثقب تتركز من تلقاء نفسها أثناء الثقب.
- فك عدة الشغل SDS-plus (انظر الصورة D)**
- ادفع لبيسة الإقفال (5) إلى الخلف وانزع عدة الشغل.

استبدال ظرف المثقاب البديل سريع الشد

تركيب عدة الشغل (انظر الصورة E)

- إرشاد:** لا تستخدم عدد الشغل دون SDS-plus في أعمال التثقيب المرفق بالطرق أو النحت. ستتعرض كل من العدد دون خاصية SDS-plus وظرف ريش

وضع الثقب المرفق بالطرق في
الفرسانة والمجر



وضع الثقب دون طرق في الخشب
والمعادن والخزف واللدائن وأيضاً لغرض
ربط اللوالب



وضع القفل المتغير Vario-Lock لضبط
وضع النحت
في هذا الوضع لا يتعاشق مفتاح إيقاف
الدق/إيقاف الدوران (10).



وضع النحت



ضبط اتجاه الدوران (انظر الصورة أ)

يمكنك أن تغير اتجاه دوران العدة الكهربائية (8)
بواسطة مفتاح تغيير اتجاه الدوران. إلا أنه لا يمكن
تغييره عندما يكون مفتاح التشغيل والإطفاء (7)
مضغوطاً.

◀ لا تضغط على مفتاح تحويل اتجاه الدوران (8)
إلا والعدة الكهربائية متوقفة.

اضبط اتجاه الدوران دائماً على الدوران اليميني من
أجل التنقيب المرفق بالطرق والتنقيب والنحت.

- دوران يميني: للثقب ولربط اللوالب، اضغط على
مفتاح تحويل اتجاه الدوران (8) إلى اليسار حتى
النهاية.

- دوران إلى اليسار: لحل أو فك اللوالب
والصواميل اضغط مفتاح تغيير اتجاه الدوران (8)
إلى اليمين حتى المصدر.

التشغيل والإطفاء

- لغرض تشغيل العدة الكهربائية، اضغط على مفتاح
التشغيل/الإطفاء (7).

- لغرض تثبيت مفتاح التشغيل والإطفاء (7) احتفظ
به مضغوطاً واضغط على القفل أيضاً (6).

- لغرض إطفاء العدة الكهربائية، اترك مفتاح
التشغيل والإطفاء (7). في حالة ثبات مفتاح
التشغيل والإطفاء (7)، اضغط عليه أولاً ثم اتركه
بعد ذلك.

ضبط عدد اللفات/عدد الطرقات

يمكنك أن تتحكم بعدد اللفات/عدد الطرقات بالعدة
الكهربائية قيد التشغيل دون تدرج، حسب مدى
الضغط على مفتاح التشغيل والإطفاء (7).

يؤدي الضغط الخفيف على مفتاح التشغيل والإطفاء
(7) إلى عدد لفات/طرقات منخفض. ويرتفع عدد
اللفات/الطرقات بزيادة الضغط.

تغيير وضع الإزميل (إقفال - تغيير)

يمكنك تثبيت الإزميل في أوضاع 13. ويمكنك بذلك
أن تتخذ وضعية الشغل الأنسب في كل حالة.

- ركب الإزميل في حاضن العدة.

- أدر مفتاح إيقاف الدق/إيقاف الدوران (10) إلى
وضع „Vario-Lock“ (القفل المتغير).

- أدر عدة الشغل إلى وضع الإزميل المرغوب.

مجددا وأدخل الشافط السريع في المقبض
الإضافي (12).

- قم بتوصيل خرطوم الشفط (قطر 19 مم، توابع)
بفتحة شفط (20) الشافط السريع.

يجب أن تصلح شافطة الغبار الخوائية للاستعمال مع
مادة الشغل المرغوب معالجتها.

استخدم شافطة غبار خوائية خاصة عند شفط الأغبرة
المضرة بالصحة أو المسببة للسرطان أو الشديدة
الجفاف.

**ضبط عمق التنقيب على الشافط السريع (انظر
الصورة H)**

يمكنك أن تحدد عمق الثقب المرغوب X حتى بعد
تركيب الشافط السريع.

- حرك عدة الشغل SDS-plus حتى النهاية في حاضن
العدة (3SDS-plus). قد تؤدي سهولة حركة عدة
الشغل SDS-plus إلى ضبط خطأ لعمق الثقب.

- قم بفك اللولب المجمع (24) على الشافط السريع.

- ركز العدة الكهربائية بإحكام دون تشغيلها على
المكان المرغوب ثقبه. يجب أن تركز عدة SDS-
plus أثناء ذلك على السطح.

- حرك أنبوب توجيه (25) الشافط السريع في حامله
بحيث يرتكز رأس الشافط السريع على السطح

المرغوب ثقبه بتساطح. لا تدفع الأنبوب الدليلي
(25) فوق الأنبوب المتداخل (23) عن الحد

الضروري، بحيث يبقى الجزء الأكبر من التدرج على
الأنبوب المتداخل (23) قابل للرؤية.

- أعد شد اللولب المجمع بإحكام (24). قم بفك
لولب الزنق (21) بمحدد عمق الشافط السريع.

- حرك محدد العمق (22) على الأنبوب المتداخل
(23) بحيث يتوافق البعد X الموضع في الصورة

مع عمق الثقب المرغوب.
- قم بربط لولب القمط (21) في هذا الوضع بإحكام.

التشغيل

بدء التشغيل

◀ يراعى جهد الشبكة الكهربائية! يجب أن يتطابق
جهد منبع التيار مع البيانات المذكورة على
لوحة صنع العدة الكهربائية. يمكن أن يتم
تشغيل العدد الكهربائية المميزة بعلامة
230 فلت في مقبس 220 فلت أيضاً.

ضبط نوع التشغيل

اختر باستخدام مفتاح إيقاف الطرق/الدوران (10)
نوع تشغيل العدة الكهربائية.

- اضغط على زر التحرير (9) لتغيير نوع التشغيل وأدر
مفتاح إيقاف الدق/إيقاف الدوران (10) إلى
الوضع المرغوب إلى أن يتعاشق بصوت مسموع.

إرشاد: قم بتغيير نوع التشغيل فقط عندما تكون
العدة الكهربائية مطفاة. وإلا، فقد يتم إتلاف العدة
الكهربائية.

- لفك الحامل الشامل قم بدفع لبيسة الإقفال (5) إلى الخلف وانزع الحامل الشامل (26) من حاضن العدة.

الصيانة والخدمة

الصيانة والتنظيف

- ◀ اسحب القابس من مقبس الشبكة الكهربائية قبل إجراء أي عمل على العدة الكهربائية.
- ◀ للعمل بشكل جيد وآمن حافظ دائماً على نظافة العدة الكهربائية وفتحات التهوية.

إذا تطلب الأمر استبدال خط الإمداد، فينبغي أن يتم ذلك من قبل شركة Bosch أو من قبل مركز خدمة الزبائن المعتمد لشركة Bosch للعدد الكهربائية، لتجنب التعرض للمخاطر.

- ◀ يجب تغيير غطاء الوقاية من الغبار التالف على الفور. وينصح أن يتق ذلك من قبل مركز خدمة العملاء.

- قم بتنظيف حاضن العدة (3) بعد كل استخدام.

خدمة العملاء واستشارات الاستخدام

يجيب مركز خدمة العملاء على الأسئلة المتعلقة بإصلاح المنتج وصيانته، بالإضافة لقطع الغيار. تجد الرسوم التفصيلية والمعلومات الخاصة بقطع الغيار في الموقع: www.bosch-pt.com يسر فريق Bosch لاستشارات الاستخدام مساعدتك إذا كان لديك أي استفسارات بخصوص منتجاتنا وملحقاتها.

يلزم ذكر رقم الصنف ذو الحانات العشر وفقاً للوحة صنع المنتج عند إرسال أية استفسارات أو طلبيات قطع غيار.

المغرب

Robert Bosch Morocco SARL

53، شارع الملازم محمد محروود

20300 الدار البيضاء

الهاتف: 212 5 29 31 43 27

البريد الإلكتروني: sav.outillage@ma.bosch.com

تجد المزيد من عناوين الخدمة تحت:

www.bosch-pt.com/serviceaddresses

التخلص من العدة الكهربائية

ينبغي تسليم العدد الكهربائية والتوايح والعبوة إلى مركز معالجة النفايات بطريقة محافظة على البيئة. لا ترم العدد الكهربائية ضمن النفايات المنزلية.



- أدر مفتاح إيقاف الدق/إيقاف الدوران (10) إلى وضع "النمت". يتم إقفال حاضن العدة بذلك.
- اضبط اتجاه الدوران من أجل النمت في وضع الدوران اليميني.

النمت باستخدام وظيفة التثبيت

للقيام بالنمت لفترة طويلة دون الضغط على مفتاح التشغيل والإطفاء (7) بشكل مستمر قم بتثبيت مفتاح التشغيل والإطفاء على نوع التشغيل «النمت».

- لغرض التثبيت اضغط على مفتاح التشغيل والإطفاء (7) حتى النهاية، واضغط في نفس الوقت على زر التثبيت (6).

- للإطفاء اضغط على زر التثبيت (6) مجدداً.

إرشاد: في حالة التحويل إلى نوع تشغيل آخر بينما مفتاح التشغيل والإطفاء مشغل يتم إطفاء العدة الكهربائية.

إرشادات العمل

- ◀ ضع العدة الكهربائية على اللولب/الصامولة فقط عندما تكون مطفاة. إن عدد الشغل الدوارة قد تنزلق.

ضبط عمق الثقب (انظر الصورة J)

باستخدام محدد العمق (13) يمكن تحديد عمق الثقب المرغوب X.

- اضغط على الزر الخاص بضبط محدد العمق (11) و قم بتركيب محدد العمق في المقبض الإضافي (12).

يجب أن تشير المزوز على محدد العمق (13) إلى الأسفل.

- حرك عدة الشغل SDS-plus حتى النهاية في حاضن العدة (3SDS-plus). قد تؤدي سهولة حركة عدة الشغل SDS-plus إلى ضبط خطأ لعمق الثقب.

- أخرج محدد العمق بحيث تكون المسافة بين رأس ريشة الثقب وطرف محدد العمق مطابقة للعمق المرغوب X.

قايض فرط التحميل

- ◀ تفصل قوة الدفع عن محور دوران المثقاب عندما تنقمت أو تتكبل عدة الشغل. أمسك العدة الكهربائية دائماً بكلتا اليدين بإحكام وقف بثبات بسبب القوى الناتجة عن ذلك.

◀ اطفئ العدة الكهربائية وقم بجل عدة الشغل عند انحصار العدة الكهربائية. تتشكل عزوم رد فعل عالية عند تشغيل عدة ثقب مستعصية.

تركيب لقم ربط اللوالب (انظر الصورة K)

- ◀ ضع العدة الكهربائية على اللولب/الصامولة فقط عندما تكون مطفاة. إن عدد الشغل الدوارة قد تنزلق.

لاستخدام لقم ربط اللوالب تحتاج إلى حامل شامل (26) مع ساق حضن SDS-plus (توايح).

- نظف طرف إدخال ساق الحضن وشحمه قليلاً.
- اغرز الحامل العام في حاضن العدة أثناء إدارته إلى أن يتق إقفاله من تلقاء نفسه.
- تفحص إحكام الثبات من خلال سحب الحامل العام.
- ركب لقم ربط اللوالب في الحامل العام. استخدم فقط لقم ربط اللوالب التي تلائم رأس اللولب.

مناسب برای محیط باز، خطر برق گرفتگی را کم می کنند.

◀ در صورت لزوم کار با ابزار برقی در محیط و اماکن مرطوب، باید از یک کلید حفاظتی جریان خطا و نشستی زمین (کلید قطع کننده اتصال با زمین) استفاده کنید. استفاده از کلید حفاظتی جریان خطا و نشستی زمین خطر برق گرفتگی را کاهش می دهد.

رعایت ایمنی اشخاص

◀ حواس خود را خوب جمع کنید، به کار خود دقت کنید و با فکر و هوشیاری کامل با ابزار برقی کار کنید. در صورت خستگی و یا در صورتی که مواد مخدر، الکل و دارو استفاده کرده‌اید، با ابزار برقی کار نکنید. یک لحظه بی توجهی هنگام کار با ابزار برقی، میتواند جراثم های شدیدی به همراه داشته باشد.

◀ از تجهیزات ایمنی شخصی استفاده کنید. همواره از عینک ایمنی استفاده نمایید. استفاده از تجهیزات ایمنی مانند ماسک ضد گرد و غبار، کفشهای ایمنی ضد لغزش، کلاه ایمنی و گوشی محافظ متناسب با نوع کار با ابزار برقی، خطر مجروح شدن را کاهش میدهد.

◀ مواظب باشید که ابزار برقی بطور ناخواسته بکار نیفتد. قبل از وارد کردن دوشاخه دستگاه در پریز برق، اتصال آن به باتری، برداشتن آن و یا حمل دستگاه، باید دقت کنید که ابزار برقی خاموش باشد. در صورتی که هنگام حمل دستگاه انگشت شما روی دکمه قطع و وصل باشد و یا دستگاه را در حالت روشن به برق بزنید، ممکن است سوانح کاری پیش آید.

◀ قبل از روشن کردن ابزار برقی، همه ابزارهای تنظیم کننده و آپارها را از روی دستگاه بردارید. ابزار و آپارهایی که روی بخش های چرخنده دستگاه قرار دارند، میتوانند باعث ایجاد جراثم شوند.

◀ وضعیت بدن شما باید در حالت عادی قرار داشته باشد. برای کار جای مطمئنی برای خود انتخاب کرده و تعادل خود را همواره حفظ کنید. به این ترتیب میتوانید ابزار برقی را در وضعیتهای غیر منتظره بهتر تحت کنترل داشته باشید.

◀ لباس مناسب بپوشید. از پوشیدن لباسهای گشاد و حمل زینت آلات خودداری کنید. موها و لباس خود را از بخشهای در حال چرخش دستگاه دور نگه دارید. لباسهای گشاد، موی بلند و زینت آلات ممکن است در قسمتهای در حال چرخش دستگاه گیر کنند.

◀ در صورتی که تجهیزاتی برای اتصال وسائل مکش گرد و غبار و یا وسیله جمع کننده گرد و غبار ارائه شده است، باید مطمئن شوید که این وسائل درست نصب و استفاده می شوند. استفاده از وسائل مکش گرد و غبار مصونیت شما را در برابر گرد و غبار زیاده تر میکند.

◀ آشنایی با ابزار به دلیل کار کردن زیاد با آن نباید باعث سهل انگاری شما و نادیده گرفتن اصول ایمنی شود. بی دقتی ممکن است باعث بروز جراحاتی در عرض کسری از ثانیه شود.

فارسی

دستورات ایمنی

نکات ایمنی عمومی برای ابزارهای برقی

⚠ هشدار کلیه هشدارها، دستورالعملها، تصاویر و

مشخصات ارائه شده به همراه ابزار برقی را مطالعه کنید. اشتباهات ناشی از عدم رعایت این دستورات ایمنی ممکن است باعث برق گرفتگی، سوختگی و یا سایر جراثم های شدید شود.

کلیه هشدارهای ایمنی و راهنماییها را برای آینده خوب نگهداری کنید.

عبارت «ابزار برقی» در هشدارها به ابزارهایی که به پریز برق متصل میشوند (با سیم برق) و یا ابزارهای برقی باتری دار (بدون سیم برق) اشاره دارد.

ایمنی محل کار

◀ محیط کار را تمیز و روشن نگه دارید. محیطهای در هم ریخته یا تاریک احتمال بروز حادثه را افزایش میدهند.

◀ ابزار برقی را در محیطهایی که خطر انفجار وجود دارد و حاوی مایعات، گازها و بخارهای متحرکه هستند، به کار نگیرید. ابزارهای برقی چرخههایی ایجاد میکنند که میتوانند باعث آتش گرفتن گرد و غبارهای موجود در هوا شوند.

◀ هنگام کار با ابزار برقی، کودکان و سایر افراد را از دستگاه دور نگه دارید. در صورتیکه حواس شما پرت شود، ممکن است کنترل دستگاه از دست شما خارج شود.

ایمنی الکتریکی

◀ دوشاخه ابزار برقی باید با پریز برق تناسب داشته باشد. هیچگونه تغییری در دوشاخه ایجاد نکنید. مبدل دوشاخه نباید همراه با ابزار برقی دارای اتصال زمین استفاده شود. دوشاخههای اصل و تغییر داده نشده و پریزهای مناسب، خطر برق گرفتگی را کاهش میدهند.

◀ از تماس بدنی با قطعات متصل به سیم اتصال زمین مانند لوله، شوفاژ، آجاق برقی و یخچال خودداری کنید. در صورت تماس بدنی با سطوح و قطعات دارای اتصال به زمین و همچنین تماس شما با زمین، خطر برق گرفتگی افزایش می یابد.

◀ ابزارهای برقی را در معرض باران و رطوبت قرار ندهید. نفوذ آب به ابزار برقی، خطر شوک الکتریکی را افزایش میدهد.

◀ از سیم دستگاه برای مقاصد دیگر استفاده نکنید. هرگز برای حمل ابزار برقی، کشیدن آن یا خارج کردن دوشاخه از سیم دستگاه استفاده نکنید. کابل دستگاه را از حرارت، روغن، لیبهای تیز یا قطعات متحرک دور نگه دارید. کابلهای آسیب دیده و یا گره خورده خطر شوک الکتریکی را افزایش میدهند.

◀ هنگام استفاده از ابزار برقی در محیطهای باز، تنها از کابل رابطی استفاده کنید که برای محیط باز نیز مناسب باشد. کابل های رابط

دادن کنترل بر روی ابزار میتواند باعث بروز جراحت شود.

◀ در صورت انجام کارهایی که امکان برخورد متعلقات برش یا منگنه با کابل‌های حامل جریان برق مخفی وجود دارد، ابزار برقی را از دسته عایق بگیریید. در صورت برخورد با یک کابل حامل "جریان برق" ممکن است قسمتهای فلزی ابزار برقی حامل "جریان برق" شوند و باعث بروز شوک الکتریکی یا برق گرفتگی گردند.

دستورالعمل های ایمنی هنگام استفاده از مته های بلند در دریل های بتن کن

◀ دریل کاری را همیشه هنگامی که نوک مته با قطعه کار در تماس است و با سرعت پایین آغاز کنید. در سرعتهای بالاتر، ممکن است مته هنگام چرخش در حالت آزاد و بدون تماس با قطعه کار کج شود و باعث وارد آمدن جراحت گردد.

◀ روی مته فقط بطور مستقیم فشار وارد کنید و از اعمال فشار بیش از حد خودداری نمایید. مته ها ممکن است خمیده و باعث اختلال یا از دست رفتن کنترل شوند و منجر به جراحت کاربر گردند.

سایر نکات ایمنی

◀ در صورت بلوکه شدن ابزار برقی، آن را خاموش کنید. نسبت به عکسالعملهای شدیدی که منجر به ضربه برگشتی می شوند، آمادگی داشته باشید. چنانچه فشار زیادی به ابزار برقی وارد شود یا در قطعهکار گیر کند، ابزار برقی بلوکه می شود.

◀ برای پیدا کردن لوله ها و سیم های پنهان موجود در ساختمان و محدوده کار، از یک دستگاه ردیاب مخصوص برای یافتن لوله ها و سیمهای تأسیسات استفاده کنید و یا با شرکت های کارهای تأسیسات ساختمان و خدمات مربوطه تماس بگیرید. تماس با کابل و سیمهای برق ممکن است باعث آتشسوزی و یا برق گرفتگی شود. ایراد و آسیب دیدگی لوله گاز میتواند باعث انفجار شود. سوراخ شدن لوله آب، باعث خسارت و یا برق گرفتگی میشود.

◀ قبل از کنار گذاشتن ابزار برقی صبر کنید تا دستگاه بطور کامل از کار و حرکت بایستد. ابزار ممکن است به قطعه کار گیر کرده و کنترل ابزار برقی از دست شما خارج شود.

◀ قطعه کار را محکم کنید. در صورتیکه قطعه کار به وسیله تجهیزات نگهدارنده و یا بوسیله گیره محکم شده باشد، قطعه کار مطمئن تر نگه داشته میشود، تا اینکه بوسیله دست نگهداشته شود.

◀ بلافاصله پس از کار، به هیچ وجه به ابزارهای مورد استفاده یا قطعات مجاور بدنه دست نزنید. این موارد می توانند در حین کار خیلی داغ شده و باعث سوختگی گردند.

◀ ابزار مورد استفاده هنگام سوراخ کاری ممکن است گیر کند. مطمئن شوید که محکم ایستاده اید و ابزار برقی را با هر دو دست محکم نگه دارید. در غیر اینصورت امکان از دست دادن کنترل روی ابزار برقی وجود دارد.

استفاده صحیح از ابزار برقی و مراقبت از آن

◀ از وارد کردن فشار زیاد روی دستگاه خودداری کنید. برای هر کاری، از ابزار برقی مناسب با آن استفاده کنید. بکار گرفتن ابزار برقی مناسب باعث میشود که بتوانید از توان دستگاه بهتر و با اطمینان بیشتر استفاده کنید.

◀ در صورت ایراد در کلید قطع و وصل ابزار برقی، از دستگاه استفاده نکنید. ابزار برقی که نمی توان آنها را قطع و وصل کرد، خطرناک بوده و باید تعمیر شوند.

◀ قبل از تنظیم ابزار برقی، تعویض متعلقات و یا کنار گذاشتن آن، دوشاخه را از برق بکشید و یا باتری آنرا خارج کنید. رعایت این اقدامات پیشگیری ایمنی از راه افتادن ناخواسته ابزار برقی جلوگیری می کند.

◀ ابزار برقی را در صورت عدم استفاده، از دسترس کودکان دور نگه دارید و اجازه ندهید که افراد ناوارد و یا اشخاصی که این دفترچه راهنما را نخواندهاند، با این دستگاه کار کنند. قرار گرفتن ابزار برقی در دست افراد ناوارد و بی تجربه خطرناک است.

◀ از ابزار برقی و متعلقات خوب مراقبت کنید. مواظب باشید که قسمت های متحرک دستگاه خوب کار کرده و گیر نکنند. همچنین دقت کنید که قطعات ابزار برقی شکسته و یا آسیب دیده نباشند. قطعات آسیب دیده را قبل از شروع به کار تعمیر کنید. علت بسیاری از سوانح کاری، عدم مراقبت کامل از ابزارهای برقی می باشد.

◀ ابزار برش را تیز و تمیز نگه دارید. ابزار برشی که خوب مراقبت شده و از لبه های تیز برخوردار است، کمتر در قطعه کار گیر کرده و بهتر قابل هدایت است.

◀ ابزار برقی، متعلقات، متههای دستگاه و غیره را مطابق دستورات این جزوه راهنما به کار گیرید و به شرایط کاری و نوع کار نیز توجه داشته باشید. استفاده از ابزار برقی برای عملیاتی به جز مقاصد در نظر گرفته شده، میتواند به بروز شرایط خطرناک منجر شود.

◀ دستها و سطوح عایق را همواره خشک، تمیز و عاری از روغن و گریس نگه دارید. دسته های لغزنده مانع ایمنی و کنترل در کار در شرایط غیر منتظره هستند.

سرویس

◀ برای تعمیر ابزار برقی فقط به متخصصین حرفهای رجوع کنید و از قطعات یدکی اصل استفاده نمایید. این باعث خواهد شد که ایمنی دستگاه شما تضمین گردد.

نکات ایمنی برای چکش ها

دستورالعمل های ایمنی برای انواع عملیات

◀ از گوشی ایمنی استفاده کنید. قرار گرفتن در معرض سر و صدا، میتواند به شنوایی آسیب برساند.

◀ از دسته کمکی، در صورتی که به همراه ابزار ارائه شده است استفاده کنید. از دست

- (21) پیچ نگه دارنده سر مکند^(a)
 (22) خط کش تعیین عمق سوراخ سر مکند^(a)
 (23) لوله تلسکوپي سر مکند^(a)
 (24) پیچ خروسی سر مکند^(a)
 (25) لوله راهنما سر مکند^(a)
 (26) نگه دارنده عمومی با شفت گیرنده سه نظام SDS plus^(a)

(a) کلیه متعلقاتی که در تصویر و یا در متن آمده است، بطور معمول همراه دستگاه ارائه نمی شود. لطفا لیست کامل متعلقات را از فهرست برنامه متعلقات اقتباس نمایید.

◀ **هنگام عملیات تخریب با قلم با احتیاط عمل کنید.** افتادن قطعات ناشی از مواد تخریب، می توانند به اطرافیان یا خود شما آسیب برسانند.

توضیحات محصول و کارکرد

همه دستورات ایمنی و راهنمائیها را بخوانید. احتیاطات ناشی از عدم رعایت این دستورات ایمنی ممکن است باعث برقگرفتگی، سوختگی و یا سایر جراحات های شدید شود.



به تصویرهای واقع در بخشهای اول دفترچه راهنما توجه کنید.

موارد استفاده از دستگاه

ابزار برقی برای سوراخکاری چکشی روی بتن، آجر، سنگ و نیز جهت قلم کاربهای (قلم زنی) سبک در نظر گرفته شده است. علاوه بر این برای سوراخکاری بدون ضربه روی چوب، فلز، سرامیک، پلاستیک مناسب است. ابزارهای برقی با کنترل الکترونیکی و قابلیت چرخش راست گرد و چپ گرد برای پیچکاری نیز مناسب هستند.

تصاویر اجزاء دستگاه

شماره های اجزاء دستگاه که در تصویر مشاهده میشود، مربوط به شرح ابزار برقی می باشد که تصویر آن در این دفترچه آمده است.

- (1) سه نظام اتوماتیک^(a)
- (2) سه نظام SDS plus
- (3) ابزارگیر SDS plus
- (4) کلاهک محافظت در برابر گرد و غبار
- (5) بوش قفل کننده
- (6) دکمه تثبیت کلید روشن/خاموش
- (7) کلید روشن/خاموش
- (8) کلید تغییر جهت چرخش
- (9) دکمه آزاد کننده قفل برای کلید توقف ضربه/چرخش
- (10) کلید توقف ضربه/چرخش
- (11) دکمه تنظیم کننده عمق سوراخ
- (12) دسته کمکی (دارای روکش عایق)
- (13) خط کش تعیین عمق سوراخ
- (14) دسته (دارای روکش عایق)
- (15) پیچ ایمنی سه نظام معمولی^(a)
- (16) سه نظام معمولی^(a)
- (17) شفت گیرنده سه نظام SDS plus^(a)
- (18) بوش جلویی سه نظام اتوماتیک^(a)
- (19) بوش عقبی سه نظام اتوماتیک^(a)
- (20) دهانه مکش سر مکند^(a)

مشخصات فنی

| GBH 220 | | دریل چکشی |
|---------------|-------------------|---|
| 3 611 BA6 0.. | | شماره فنی |
| 720 | W | توان ورودی نامی |
| 0-4800 | ⁻¹ min | تعداد ضربه |
| 2,0 | J | قدرت هر ضربه مطابق استاندارد EPTA-Procedure 05:2016 |
| 0-2000 | ⁻¹ min | سرعت در حالت آزاد |
| SDS-plus | | ابزارگیر |
| 48,5 | mm | قطر گلوبی محور حداکثر قطر سوراخ |
| 22 | mm | - بتن ^(A) |
| 13 | mm | - فولاد |
| 30 | mm | - چوب |
| 2,3 | kg | وزن مطابق استاندارد EPTA-Procedure 01:2014 |
| II / □ | | کلاس ایمنی |

(A) توان بهینه متناسب با قطر سوراخکاری 12-6 mm مقادیر برای ولتاژ نامی [U] 230 ولت میباشد. برای ولتاژهای مختلف و تولیدات مخصوص کشورها، ممکن است این مقادیر متفاوت باشند.

نصب

◀ **پیش از انجام هرگونه کاری بر روی ابزار الکتریکی، دوشاخه اتصال آنرا از داخل پریز برق بیرون بکشید.**

دسته کمکی

◀ **از ابزار برقی تنها با دسته کمکی (12) استفاده کنید.**

◀ **دقت کنید که دسته کمکی همیشه محکم شده باشد.** در غیر اینصورت امکان از دست دادن کنترل روی ابزار برقی در حین کار وجود دارد.

تعویض حالت دسته کمکی (رجوع کنید به تصویر A)

دسته کمکی (12) را می توان به دلفواه جهت بدست آمدن حالت کاری مطمئن و راحت چرخاند. قسمت پایینی دسته کمکی (12) را در خلاف جهت چرخش عقربه‌های ساعت بچرخانید و دسته کمکی (12) را به حالت دلفواه برانید. سپس قسمت پایینی دسته کمکی (12) را در جهت چرخش عقربه‌های ساعت محکم کنید. توجه داشته باشید که تسمه مهار دسته کمکی در شیار موجود در بدنه دستگاه که برای آن در نظر گرفته شده است، قرار بگیرد.

انتخاب سه نظام و ابزارها

برای سوراخکاری چکشی و نیز قلم کاری نیاز به ابزارهای SDS-plus است که در سه نظام SDS-plus قرار گیرند.

برای سوراخ کردن بدون ضربه چوب، فلز، سرامیک و پلاستیک و همچنین برای پیچکاری، ابزار (معمولی) بدون SDS-plus (از جمله مته یا شفت استوانه ای) بکار برده میشود. برای این ابزار به یک سه نظام اتوماتیک و یا سه نظام دندانه ای نیاز است.

نحوه تعویض سه نظام

نصب سه نظام اتوماتیک/سه نظام معمولی (رجوع کنید به تصویر B)

- شفت گیرنده SDS-plus (17) را در سه نظام اتوماتیک (1) / سه نظام معمولی (16) بپیچانید. سه نظام اتوماتیک (1) / سه نظام معمولی (16) را با پیچ ایمنی (15) ایمن کنید. توجه داشته باشید که پیچ ایمنی دارای رزوه چپ می باشد.

قرار دادن سه نظام اتوماتیک/سه نظام معمولی (رجوع کنید به تصویر B)

- انتهای قرارگیری شفت گیرنده سه نظام SDS plus (17) را تمیز کرده و آن را کمی چرب کنید. سه نظام اتوماتیک (1) / سه نظام معمولی (16) را به کمک شفت گیرنده، بطور چرخان داخل ابزارگیر قرار دهید تا زمانی که بطور خودکار قفل شود. - قفل را با کشیدن سه نظام اتوماتیک (1) / سه نظام معمولی (16) کنترل کنید.

برداشتن سه نظام اتوماتیک/سه نظام معمولی
- بوش قفل کننده (5) را به عقب برانید و سه نظام اتوماتیک (1) / سه نظام معمولی (16) را بردارید.

تعویض ابزار

درپوش حفاظتی گرد و غبار (4) از نفوذ گرد و غبار مته کاری در گیرنده ابزار در حین کار به طور عمده جلوگیری می کند. هنگام قرار دادن ابزار دقت کنید که درپوش حفاظتی گرد و غبار (4) آسیب نبیند.

◀ **کلاسهک محافظت در برابر گرد و غبار را در صورت آسیب دیدن فوراً عوض کنید. توصیه میشود اینکار را توسط تعمیرگاه مجاز (خدمات پس از فروش) انجام دهید.**

تعویض ابزار (SDS-plus) قرار دادن ابزار SDS-plus (رجوع کنید به تصویر C)

توسط سه نظام SDS-plus می توان ابزار را آسان و راحت بدون استفاده از سایر ابزارآلات عوض کرد.

- انتهای ابزار مورد استفاده را برای جاگذاری آن تمیز کرده و آن را کمی چرب کنید.
- ابزار مورد استفاده را با چرخش در داخل ابزارگیر قرار دهید، تا خود به خود در دستگاه قفل شود.
- با کشیدن ابزار، قفل شدن آن را امتحان کنید.
- ابزار SDS-plus به دلایل سیستمی آزادانه قابل حرکت است. به این ترتیب در حالت بدون بار (در حالت آزاد)، یک گردش دورانی نامنظم انجام میگیرد. این مسئله هیچگونه تاثیری بر روی دقت سوراخ کاری و سوراخ مته ندارد، زیرا مته در هنگام سوراخ کردن بطور اتوماتیک در مرکز سوراخ قرار میگیرد.

نحوه برداشتن ابزار SDS-plus (رجوع کنید به تصویر D)

- آداپتور قفل (5) را به عقب برانید و ابزار را چرخان از ابزارگیر بردارید.

نحوه تعویض ابزار سه نظام اتوماتیک تعویض سریع

قرار دادن ابزار مورد استفاده (رجوع کنید به تصویر E)

نکته: از ابزارهای بدون SDS-plus برای سوراخکاری چکشی یا قلم زنی استفاده نکنید! ابزارهای بدون SDS-plus و سه نظام آنها هنگام سوراخکاری چکشی و قلم زنی آسیب می بینند.

- سه نظام اتوماتیک (1) را قرار دهید.
- بوش عقبی (19) سه نظام اتوماتیک (1) را محکم نگه دارید و بوش جلویی (18) را در خلاف جهت عقربه های ساعت تا زمانی که بتوان ابزار را قرار داد، بچرخانید. ابزار را جا گذاری کنید.
- بوش عقبی سه نظام اتوماتیک (1) را محکم نگه دارید و بوش جلویی را با دست محکم در جهت عقربه های ساعت تا هنگامی که دیگر صدای جا افتادن آن شنیده نشود، بچرخانید. اینگونه سه نظام به طور اتوماتیک قفل می شود.
- با کشیدن ابزار، محکم قرار گرفتن آن را امتحان کنید.

نکته: چنانچه ابزارگیر تا انتها باز شده باشد، ممکن است هنگام چرخاندن ابزارگیر یک صدای ناهنجار به گوش برسد و بسته نشود.

در این صورت بوش جلویی را یکبار در خلاف جهت فلش بچرخانید. سپس میتوان ابزارگیر را بست.

- کلید توقف ضربه/چرخش (10) را به موقعیت "سوراخکاری" بچرخانید.

برداشتن ابزار مورد استفاده (رجوع کنید به تصویر F)

- بوش عقبی (19) سه نظام اتوماتیک را محکم نگه دارید. ابزارگیر را با چرخاندن بوش جلویی در جهت فلش باز کنید تا بتوان ابزار را خارج کرد.

مکش گرد، براده و تراشه

گرد و غبار موادی مانند رنگ های دارای سرب، بعضی از چوب ها، مواد معدنی و فلزات میتوانند

- (23) نکشید، طوری که بخش زیادی از درجه بندی روی لوله تلسکوپ (23) دیده شود.
- پیچ پروانه ای (24) را دوباره سفت کنید. پیچ اتصال (21) روی نگهدارنده عمق واقع بر سر مکنده را باز کنید.
- نگهدارنده عمق (22) را طوری روی لوله تلسکوپی (23) قرار دهید که فاصله X نشان داده شده در تصویر، با عمق سوراخ دلخواه مطابق باشد.
- پیچ اتصال (21) را در این حالت سفت کنید.

کار با دستگاه

راه اندازی

- ◀ به ولتاژ شبکه برق توجه کنید! ولتاژ منبع جریان برق باید با مقادیر موجود بر روی برچسب ابزار الکتریکی مطابقت داشته باشد. ابزارهای برقی را که با ولتاژ 230 V ولت مشخص شده اند، می توان تحت ولتاژ 220 V ولت نیز بکار برد.

نحوه تنظیم نوع عملکرد

- با کلید توقف ضربه/چرخش (10) نوع عملکرد ابزار برقی را انتخاب کنید.
- جهت تعویض نوع عملکرد، دکمه آزاد کننده قفل (9) را فشار دهید و کلید توقف ضربه/چرخش (10) را به موقعیت دلخواه برانید تا به طور محسوس جا بیفتد.
- نکته:** نوع عملکرد را تنها با ابزار برقی خاموش تغییر دهید! در غیر اینصورت امکان آسیب دیدن ابزار برقی وجود دارد.

موقعیت سوراخ کاری چکشی در بتن یا سنگ



موقعیت سوراخ کاری بدون ضربه در چوب، فلز، سرامیک، پلاستیک و همچنین برای پیچ کاری



موقعیت Vario-Lock برای تغییر موقعیت قلم
کلید توقف ضربه/چرخش (10) در این موقعیت جا نمی افتد.



موقعیت قلم زنی



تنظیم جهت چرخش (رجوع کنید به تصویر 1)

با کلید تغییر جهت چرخش (8) میتوانید جهت چرخش ابزار برقی را تغییر دهید. هنگامی که کلید روشن/خاموش (7) فشرده شده است، این امر ممکن نیست.

◀ کلید تغییر جهت چرخش (8) را هنگام متوقف بودن دستگاه فعال کنید.

جهت چرخش را برای سوراخکاری چکشی، سوراخکاری و قلم زنی همیشه بطور راست گرد تنظیم کنید.

- برای سلامتی مضر باشند. دست زدن و یا تنفس کردن گرد و غبار ممکن است باعث بروز آلرژی و یا بیماری مجاری تنفسی شخص استفاده کننده و یا افرادی که در آن نزدیکی میباشند، بشود.
- گرد و غبارهای مخصوصی مانند گرد و غبار درخت بلوط و یا درخت راش سرطان زا هستند، بخصوص ترکیب آنها با سایر موادی که برای کار بر روی چوب (کرومات، مواد برای محافظت از چوب) بکار برده میشوند. فقط افراد متخصص مجازند با موادی که دارای آزیست میباشند کار کنند.
- حتی الامکان از یک دستگاه مکش مناسب و درخور ماده (قطعه کار) استفاده کنید.
- توجه داشته باشید که محل کار شما از تهویه هوای کافی برخوردار باشد.
- توصیه میشود از ماسک تنفسی ایمنی با درجه فیلتر P2 استفاده کنید.
- به قوانین و مقررات معتبر در کشور خود در رابطه با استفاده از مواد و قطعات کاری توجه کنید.
- ◀ از تجمع گرد و غبار در محل کار جلوگیری کنید. گرد و غبار می تواند به آسانی مشتعل شوند.

مکش گرد و غبار با سر مکنده (متعلقات)

نصب تجهیزات مکش (رجوع کنید به تصویر G)

برای مکش گرد و غبار به ملحقات مکش گرد و غبار (متعلقات) نیاز دارید. هنگام سوراخ کاری، این ملحقات بطور فزنی طوری به عقب رانده میشوند که سر مکنده همواره کاملاً در نزدیکی سطحی که سوراخ میشود، قرار بگیرد.

- دکمه برای تنظیم نگهدارنده عمق (11) را فشار دهید و نگهدارنده عمق (13) را بردارید. دکمه برای تنظیم نگهدارنده عمق (11) را دوباره فشار دهید و آن را در دسته کمکی (12) بگذارید.
- شلنگ مکش (قطر 19 میلیمتر، متعلقات) را به دهانه مکش (20) سر مکنده وصل کنید.
- دستگاه مکنده باید برای قطعه کار مورد نظر مناسب باشد.

برای مکش گرد و غباری که برای سلامتی مضرند و سرطان زا هستند و یا برای مکش تراشه های خشک باید از یک دستگاه مکنده مخصوص استفاده کنید.

نحوه تنظیم عمق سوراخ روی سر مکنده (رجوع کنید به تصویر H)

عمق سوراخ دلخواه X را نیز می توان با سر مکنده نصب شده تعیین کرد.

- ابزار SDS-plus را تا در ابزارگیر (3SDS-plus) قرار دهید. حرکت آزاد ابزار SDS-plus ممکن است به تنظیم اشتباه عمق سوراخکاری منجر شود.
- پیچ پروانه ای (24) روی سر مکنده را باز کنید.
- ابزار برقی را بدون روشن کردن آن، بطور ثابت و محکم بر روی سطحی که باید سوراخ شود قرار دهید. ابزار SDS-plus باید در این حین روی سطح قرار گیرد.

- لوله راهنمای (25) سر مکنده را طوری در نگهدارنده قرار دهید که قسمت بالایی سر مکنده روی سطح مورد سوراخکاری قرار گیرد. لوله راهنما (25) را بیشتر از نیاز روی لوله تلسکوپی

نمونه تنظیم عمق سوراخ (رجوع کنید به تصویر)
با نگهدارنده عمق (13) می توان عمق سوراخکاری دلخواه X را تثبیت کرد.

- دکمه برای تنظیم نگهدارنده عمق (11) را فشار دهید و آن را در دسته کمکی (12) بگذارید. برآمدگی نگهدارنده عمق (13) بایستی به طرف پایین باشد.

- ابزار SDS-plus را تا در ابزارگیر (3SDS-plus) قرار دهید. حرکت آزاد ابزار SDS-plus ممکن است به تنظیم اشتباه عمق سوراخکاری منجر شود.

- نگهدارنده عمق را آنقدر بیرون بکشید تا فاصله بین نوک مته و نوک نگهدارنده عمق با عمق مته دلخواه X مطابق باشد.

کلاج ایمنی

◀ **هنگامی که مته یا ابزار دریل گیر کند، نیروی محرکه محور (شفت) مته قطع می شود.**

بدلیل نیروهایی که در اینصورت ایجاد می شوند، ابزار برقی را همیشه با هر دو دست محکم نگهدارید و وضعیت ایستادن شما هم باید ثابت و مستقر باشد.

◀ **در صورتیکه ابزار برقی بلوکه شود یا گیر کند، ابزار برقی را خاموش کرده و ابزار را از روی دستگاه بردارید. روشن کردن ابزار برقی در حالیکه ابزار مته گیر کرده باشد، باعث ایجاد ارتعاش و عکس العمل های شدید گشتاور می شود.**

قرار دادن سر پیچگوشتی (رجوع کنید به تصویر K)

◀ **ابزار برقی را تنها در حالت خاموش روی پیچ و یا مهره قرار دهید. امکان لغزش ابزار در حال چرخش وجود دارد.**

برای کاربری سر پیچگوشتی به یک نگهدارنده اونیورسال (26) با شفت SDS-plus- (متعلقات) نیاز دارید.

- شفت آداپتور را تمیز و قسمت انتهایی آنرا کمی چرب کنید.

- نگهدارنده یونیورسال (رابط سر پیچگوشتی) را در حالت چرخان داخل ابزارگیر قرار بدهید تا زمانیکه بطور اتوماتیک قفل شود.

- با کشیدن رابط سر پیچگوشتی، قفل بودن آنرا امتحان کنید.

- یک سر پیچگوشتی را داخل رابط سر پیچگوشتی (نگهدارنده یونیورسال) قرار بدهید. منحصرآ از سر پیچگوشتی های متناسب با سربکس استفاده کنید.

- برای درآوردن نگهدارنده اونیورسال، بوش قفل کننده (5) را به عقب برانید و نگهدارنده اونیورسال (26) را از ابزارگیر بیرون آورید.

مراقبت و سرویس

مراقبت، تعمیر و تمیز کردن دستگاه

◀ **پیش از انجام هرگونه کاری بر روی ابزار الکتریکی، دوشاخه اتصال آنرا از داخل پریز برق بیرون بکشید.**

- **راست گرد:** برای سوراخکاری و پیچکاری، کلید تغییر جهت چرخش (8) را تا انتها به چپ فشار دهید.

- **چپ گرد:** برای شل کردن یا باز کردن پیچ ها و مهره ها، کلید تغییر جهت چرخش (8) را تا انتها به راست فشار دهید.

نمونه روشن و خاموش کردن

- برای روشن کردن ابزار برقی، کلید قطع و وصل (7) را فشار دهید.

- برای قفل کردن کلید قطع و وصل (7) آن را فشرده نگهدارید و علاوه بر این دکمه تثبیت (6) را فشار دهید.

- برای خاموش کردن ابزار برقی، کلید قطع و وصل (7) را رها کنید. در صورت قفل بودن کلید قطع و وصل (7) آن را ابتدا فشار دهید و دوباره رها کنید.

تنظیم تعداد چرخش/ضربه

همیشه میتوان تعداد چرخش/ضربه ابزار برقی روشن را با توجه به اینکه کلید روشن/خاموش (7) را تا کجا فشار میدهند، تنظیم کرد.

فشار کم روی کلید روشن/خاموش (7) باعث کاهش تعداد چرخش/ضربه میشود. افزایش فشار باعث افزایش تعداد چرخش/ضربه میشود.

تغییر حالت قلم (Vario-Lock)

شما می توانید قلم را در 13 حالت ها قفل کنید. به این ترتیب می توانید هر موقعیت کار بهینه ای را انتخاب کنید.

- قلم را درون ابزارگیر قرار دهید.

- کلید توقف ضربه/چرخش (10) را به موقعیت "Vario-Lock" بچرخانید.

- ابزار مورد استفاده را به وضعیت دلخواه قلم زنی بچرخانید.

- کلید توقف ضربه/چرخش (10) را به موقعیت "قلم زنی" بچرخانید. ابزارگیر بدینوسیله قفل می شود.

- برای قلم زنی، جهت چرخش را روی حالت راست گرد قرار دهید.

قلم زنی با عملکرد قفل

برای قلم زنی طولانی مدت بدون اینکه کلید روشن/خاموش (7) را بصورت مداوم فشار دهید، کلید روشن/خاموش را روی عملکرد "قلم زنی" قفل کنید.

- جهت قفل کردن کلید روشن/خاموش (7) را تا انتها فشار داده و همزمان دکمه تثبیت (6) را فشار دهید.

- جهت خاموش کردن، دکمه تثبیت (6) را مجدداً فشار دهید.

نکته: چنانچه عملکرد دیگری را هنگامی که کلید روشن/خاموش قفل است، انتخاب کنید، ابزار برقی خاموش میشود.

نکات کار

◀ **ابزار برقی را تنها در حالت خاموش روی پیچ و یا مهره قرار دهید. امکان لغزش ابزار در حال چرخش وجود دارد.**

◀ ابزار الکتریکی و شیارهای تهویه آنرا تمیز نگاه دارید، تا ایمنی شما در کار تضمین گردد.

در صورت نیاز به یک کابل یدکی برای اتصال به شبکه برق، بایستی به شرکت **Bosch** و یا به نمایندگی مجاز **Bosch** (خدمات پس از فروش) برای ابزار آلات برقی مراجعه کنید تا از بروز خطرات ایمنی جلوگیری بعمل آید.

◀ کلاهک محافظت در برابر گرد و غبار را در صورت آسیب دیدن فوراً عوض کنید. توصیه میشود این کار را از طریق تعمیرگاه مجاز (خدمات پس از فروش) انجام دهید.

- ابزارگیر (3) را پس از هر بار استفاده تمیز کنید.

خدمات و مشاوره با مشتریان

خدمات مشتری، به سؤالات شما درباره تعمیرات، سرویس و همچنین قطعات یدکی پاسخ خواهد داد. نقشه‌های سه بعدی و اطلاعات مربوط به قطعات یدکی را در تارنمای زیر مییابید:

www.bosch-pt.com

گروه مشاوره به مشتریان Bosch با کمال میل به سؤالات شما درباره محصولات و متعلقات پاسخ می دهند.

برای هرگونه سؤال و یا سفارش قطعات یدکی، حتماً شماره فنی 10 رقمی کالا را مطابق برچسب روی ابزار برقی اطلاع دهید.

ایران

روبرت بوش ایران - شرکت بوش تجارت پارس
میدان ونک، خیابان شهید خدای، خیابان آفتاب
ساختمان مادیران، شماره 3، طبقه سوم.
تهران 1994834571
تلفن: 9821+ 42039000

آدرس سایر دفاتر خدماتی را در ادامه بیابید:

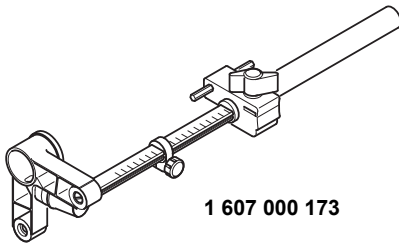
www.bosch-pt.com/serviceaddresses

از رده خارج کردن دستگاه

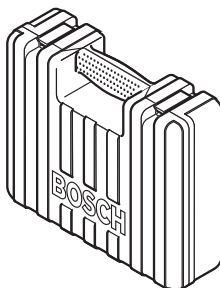
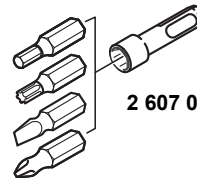
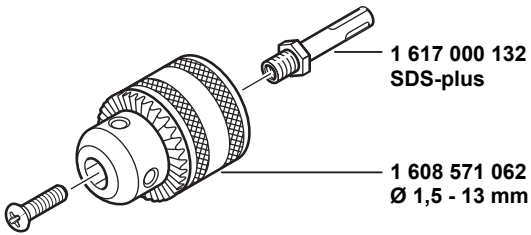
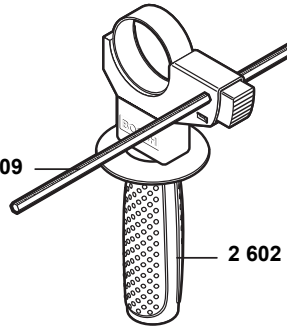
ابزار برقی، متعلقات و بسته بندی آن، باید طبق مقررات حفظ محیط زیست از رده خارج و بازیافت شوند.

ابزارهای برقی را داخل زباله دان خانگی نیاندازید!








2 603 001 009



2 605 438 524

| | | |
|-----------|--|---|
| de | EU-Konformitätserklärung Bohrhammer Sachnummer | Wir erklären in alleiniger Verantwortung, dass die genannten Produkte allen einschlägigen Bestimmungen der nachfolgend aufgeführten Richtlinien und Verordnungen entsprechen und mit folgenden Normen übereinstimmen. Technische Unterlagen bei: * |
| en | EU Declaration of Conformity Rotary Hammer Article number | We declare under our sole responsibility that the stated products comply with all applicable provisions of the directives and regulations listed below and are in conformity with the following standards. Technical file at: * |
| fr | Déclaration de conformité UE Marteau perforateur N° d'article | Nous déclarons sous notre propre responsabilité que les produits décrits sont en conformité avec les directives, règlements normatifs et normes énumérés ci-dessous. Dossier technique auprès de: * |
| es | Declaración de conformidad UE Martillo perforador Nº de artículo | Declaramos bajo nuestra exclusiva responsabilidad, que los productos nombrados cumplen con todas las disposiciones correspondientes de las Directivas y los Reglamentos mencionados a continuación y están en conformidad con las siguientes normas. Documentos técnicos de: * |
| pt | Declaração de Conformidade UE Martelo perfurador N.º do produto | Declaramos sob nossa exclusiva responsabilidade que os produtos mencionados cumprem todas as disposições e os regulamentos indicados e estão em conformidade com as seguintes normas. Documentação técnica pertencente à: * |
| it | Dichiarazione di conformità UE Martello perforatore Codice prodotto | Dichiariamo sotto la nostra piena responsabilità che i prodotti indicati sono conformi a tutte le disposizioni pertinenti delle Direttive e dei Regolamenti elencati di seguito, nonché alle seguenti Normative. Documentazione Tecnica presso: * |
| nl | EU-conformiteitsverklaring Boorhamer Productnummer | Wij verklaren op eigen verantwoordelijkheid dat de genoemde producten voldoen aan alle desbetreffende bepalingen van de hierna genoemde richtlijnen en verordeningen en overeenstemmen met de volgende normen. Technisch dossier bij: * |
| da | EU-overensstemmelseserklæring Borehammer Typenummer | Vi erklærer som eneansvarlige, at det beskrevne produkt er i overensstemmelse med alle gældende bestemmelser i følgende direktiver og forordninger og opfylder følgende standarder. Tekniske bilag ved: * |
| sv | EU-konformitetsförklaring Borrhammare Produktnummer | Vi förklarar under eget ansvar att de nämnda produkterna uppfyller kraven i alla gällande bestämmelser i de nedan angivna direktiven och förordningarna och att de stämmer överens med följande normer. Teknisk dokumentation: * |
| no | EU-samsvarserklæring Borhammer Produktnummer | Vi erklærer under eneansvar at de nevnte produktene er i overensstemmelse med alle relevante bestemmelser i direktivene og forordningene nedenfor og med følgende standarder. Teknisk dokumentasjon hos: * |
| fi | EU-vaatimustenmukaisuusvakuutus Poravasara Tuotenumero | Vakuutamme täten, että mainitut tuotteet vastaavat kaikkia seuraavien direktiivien ja asetusten asiaankuuluvia vaatimuksia ja ovat seuraavien standardien vaatimusten mukaisia. Tekniset asiakirjat saatavana: * |
| el | Δήλωση πιστότητας ΕΕ Περιστροφικό πισολέτο Αριθμός ευρετηρίου | Δηλώνουμε με αποκλειστική μας ευθύνη, ότι τα αναφερόμενα προϊόντα αντιστοιχούν σε όλες τις σχετικές διατάξεις των πιο κάτω αναφερόμενων οδηγιών και κανονισμών και ταυτίζονται με τα ακόλουθα πρότυπα. Τεχνικά έγγραφα στη: * |
| tr | AB Uygunluk beyanı Kırcı-delici Ürün kodu | Tek sorumlu olarak, tanımlanan ürünün aşağıdaki yönetmelik ve direktiflerin geçerli bütün hükümlerine ve aşağıdaki standartlara uygun olduğunu beyan ederiz. Teknik belgelerin bulunduğu yer: * |

| | | | |
|-----------|--|-----------------------|---|
| pl | Deklaracja zgodności UE Młot udarowo-obrotowy | Numer katalogowy | Oświadczamy z pełną odpowiedzialnością, że niniejsze produkty odpowiadają wszystkim wymaganiom poniżej wyszczególnionych dyrektyw i rozporządzeń, oraz że są zgodne z następującymi normami. Dokumentacja techniczna: * |
| cs | EU prohlášení oshodě Vrtací kladivo | Objednací číslo | Prohlašujeme na výhradní zodpovědnost, že uvedený výrobek splňuje všechna příslušná ustanovení níže uvedených směrníc a nařízení a je vsouladu snásledujícími normami: Technické podklady u: * |
| sk | EÚ vyhlásenie ozhode Vrtacie kladivo | Vecné číslo | Vyhlasujeme na výhradnú zodpovednosť, že uvedený výrobok spĺňa všetky príslušné ustanovenia nižšie uvedených smerníc a nariadení a je vsúlade snasledujúcimi normami: Technické podklady má spoločnosť: * |
| hu | EU konformitási nyilatkozat Fúrókalapács | Cikkszám | Egyedüli felelősséggel kijelentjük, hogy a megnevezett termékek megfelelnek az alábbiakban felsorolásra kerülő irányelvek és rendeletek valamennyi idevágó előírásainak és megfelelnek a következő szabványoknak. Műszaki dokumentumok megőrzési pontja: * |
| ru | Заявление о соответствии ЕС Перфоратор | Товарный № | Мы заявляем под нашу единоличную ответственность, что названные продукты соответствуют всем действующим предписаниям нижеуказанных директив и распоряжений, а также нижеуказанных норм. Техническая документация хранится у: * |
| uk | Заява про відповідність ЄС Перфоратор | Товарний номер | Мизаявляємо під нашу одноособову відповідальність, що названі вироби відповідають усім чинним положенням нищезначених директив і розпоряджень, а також нищезначеним нормам. Технічна документація зберігається у: * |
| kk | ЕО сәйкестік мағлұдамасы Перфоратор | Өнім нөмірі | Өз жауапкершілікпен біз аталған өнімдер төменде жьылған директикалар мен жарлықтардың тиісті қағидаларына сәйкестігін және төмендегі нормаларға сай екенін білдіреміз. Техникалық құжаттар: * |
| ro | Declarație de conformitate UE Ciocan rotopercutor | Număr de identificare | Declarăm pe proprie răspundere că produsele menționate corespund tuturor dispozițiilor relevante ale directivelor și reglementărilor enumerate în cele ce urmează și sunt în conformitate cu următoarele standarde. Documentație tehnică la: * |
| bg | ЕС декларация за съответствие Перфоратор | Каталожен номер | С пълна отговорност ние декларираме, че посочените продукти отговарят на всички валидни изисквания на директивите и разпоредбите по-долу и съответства на следните стандарти. Техническа документация при: * |
| mk | EU-Изјава за сообразност Чекани за дупчење | Број на дел/артикл | Со целосна одговорност изјавуваме, дека опишаните производи се во согласност со сите релевантни одредби на следните регулативи и прописи и се во согласност со следните норми. Техничка документација кај: * |
| sr | EU-izjava o usaglašenosti Bušilica čekić | Broj predmeta | Na sopstvenu odgovornost izjavljujemo, da navedeni proizvodi odgovaraju svim dotičnim odredbama naknadno navedenih smernica u uredaba i da su u skladu sa sledećim standardima. Tehnička dokumentacija kod: * |
| sl | Izjava o skladnosti EU Vrtalno kladivo | Številka artikla | Izjavljamo pod izključno odgovornostjo, da je omenjen izdelek v skladu z vsemi relevantnimi določili direktiv in uredb ter ustreza naslednjim standardom. Tehnična dokumentacija pri: * |
| hr | EU izjava o sukladnosti Udarana bušilica | Kataloški br. | Pod punom odgovornošću izjavljujemo da navedeni proizvodi odgovaraju svim relevantnim odredbama direktiva i propisima navedenima u nastavku i da su sukladni sa sljedećim normama. Tehnička dokumentacija se može dobiti kod: * |

| | | | |
|----|--|---|--|
| et | EL-vastavusdeklaratsioon | Kinnitame ainuvastutajatena, et nimetatud tooted vastavad järgnevalt loetletud direktiivide ja määruste kõikidele asjaomastele nõuetele ja on kooskõlas järgmiste normidega. Tehnilised dokumendid saadaval: * | |
| | Puurvasar Tootenumber | | |
| lv | Deklarācija par atbilstību ES standartiem | Mēs ar pilnu atbildību paziņojam, ka šeit aplūkoti izstrādājumi atbilst visiem tālāk minētajās direktīvās un rīkojumos ietvertajām saistošajām nostādņēm, kā arī sekojošiem standartiem. Tehnikā dokumentācija no: * | |
| | Perforators Izstrādājuma numurs | | |
| lt | ES atitikties deklaracija | Atsakingai pareiškiame, kad išvardyti gaminiai atitinka visus privalomus žemiau nurodytų direktyvų ir reglamentų reikalavimus ir šiuos standartus. Techninė dokumentacija saugoma: * | |
| | Perforatorius Gaminio numeris | | |
| | GBH 220 | 3 611 BA6 020 | 2006/42/EC EN 62841-1:2015 2014/30/EU EN IEC 62841-2-6:2020+A11:2020 2011/65/EU EN 55014-1:2017+A11:2020 EN 55014-2:2015 EN IEC 61000-3-2:2019+A1:2021 EN 61000-3-3:2013+A1:2019 EN IEC 63000:2018 |
| | | |  BOSCH * Robert Bosch Power Tools GmbH (PT/ECS) 70538 Stuttgart GERMANY |
| | | Henk Becker Chairman of Executive Management | Helmut Heinzelmann Head of Product Certification |
| | |  |  |
| | | Robert Bosch Power Tools GmbH, 70538 Stuttgart, GERMANY Stuttgart, 16.12.2021 | |