



GST 680 Professional



Robert Bosch Power Tools GmbH
70538 Stuttgart
GERMANY

www.bosch-pt.com

1 609 92A 89R (2023.07) T / 65

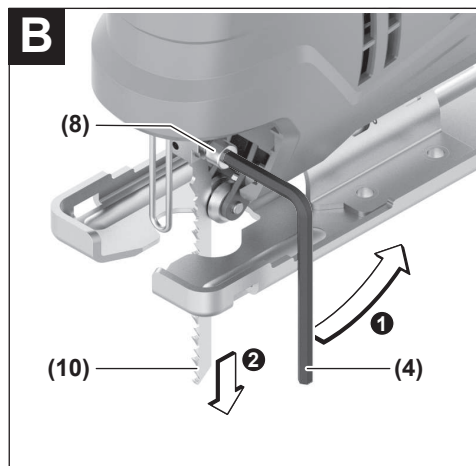
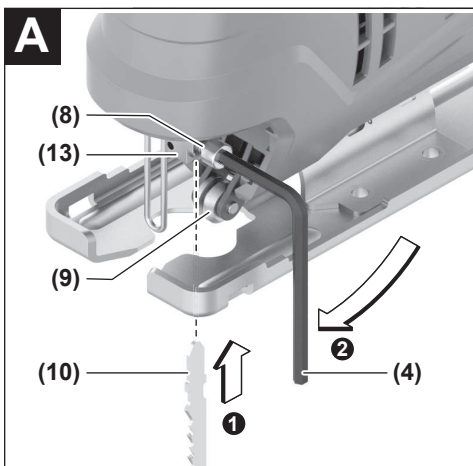
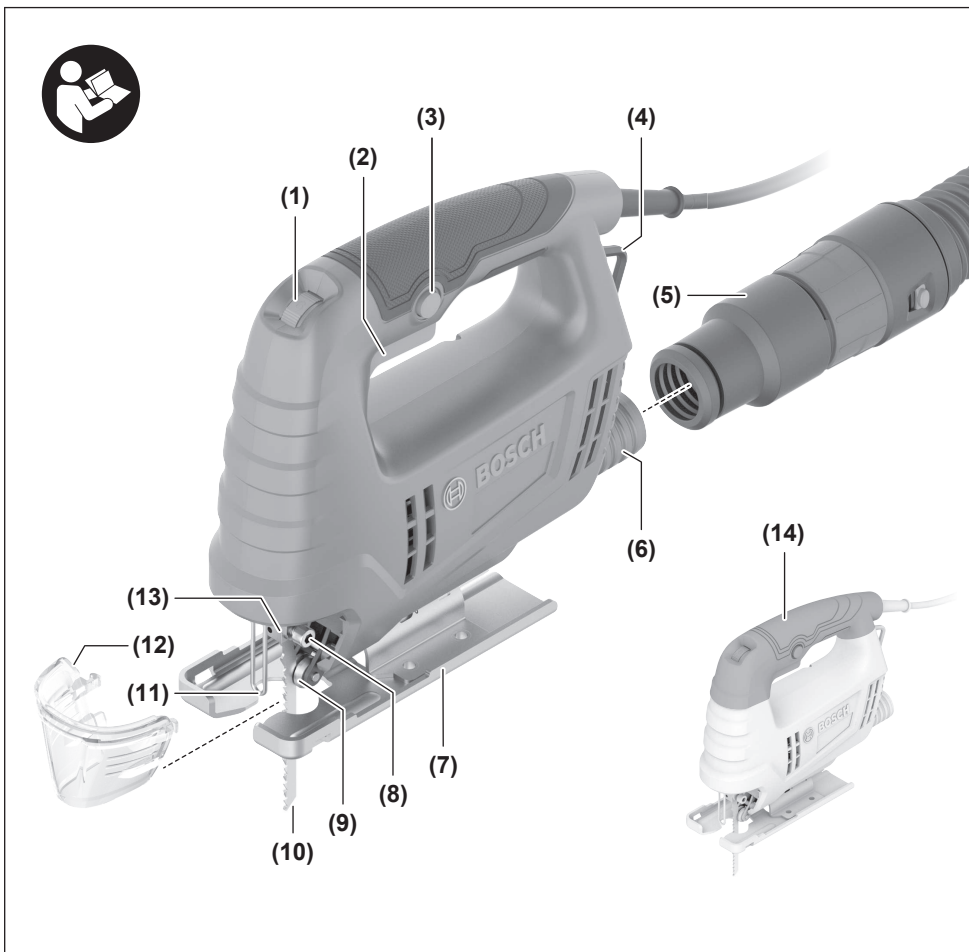


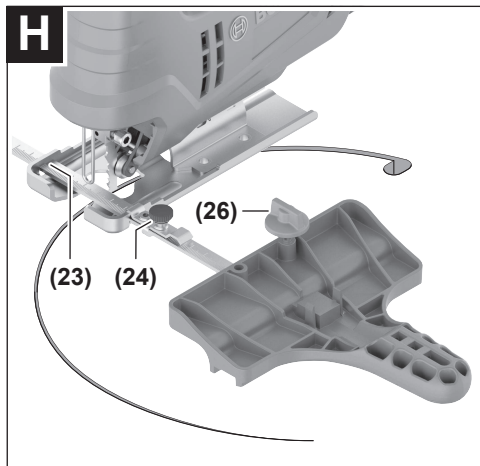
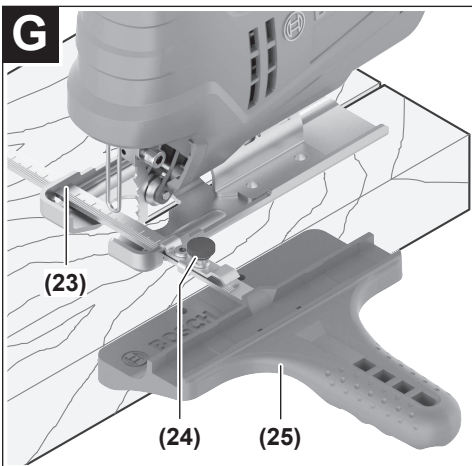
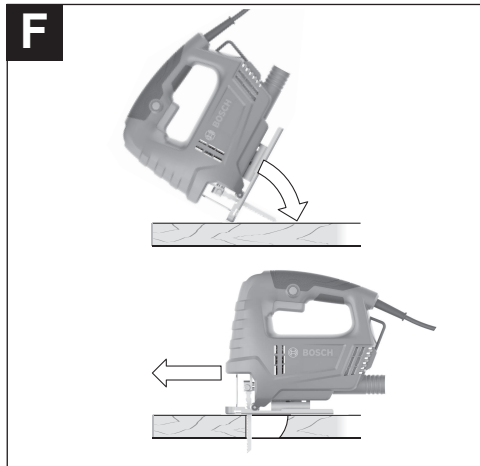
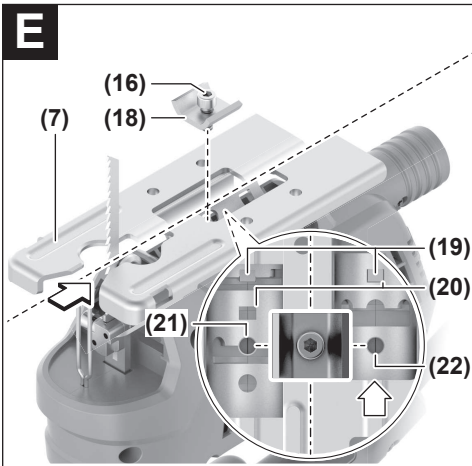
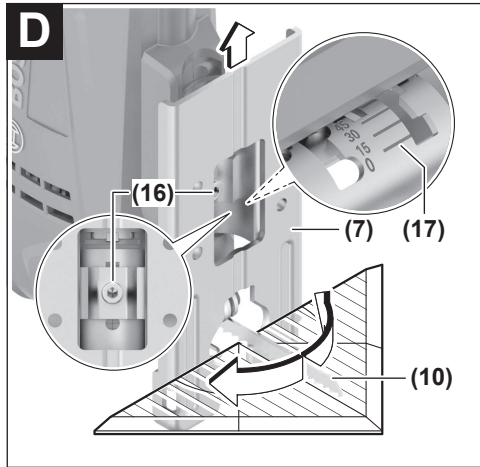
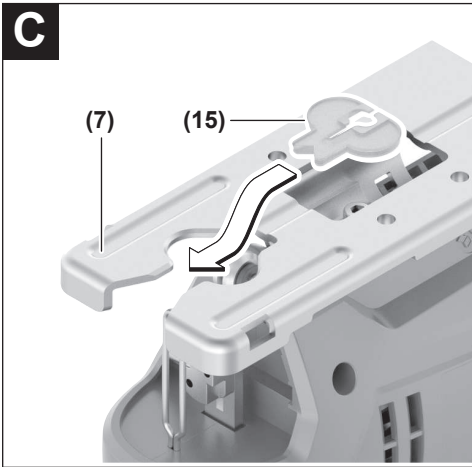
1 609 92A 89R

- en Original instructions
- fr Notice originale
- pt Manual original
- zh 正本使用说明书
- zh 原始使用說明書
- th หนังสือคู่มือการใช้งานฉบับต้นแบบ
- id Petunjuk-Petunjuk untuk Penggunaan Orisinal
- vi Bản gốc hướng dẫn sử dụng
- ar دليل التشغيل الأصلي
- fa دفترچه راهنمای اصلی



English	Page	5
Français	Page	10
Português	Página	15
中文	頁	21
繁體中文	頁	25
ไทย	หน้า	30
Bahasa Indonesia	Halaman	35
Tiếng Việt	Trang	41
عربي	الصفحة	47
فارسی	صفحه	53





English

Safety Instructions

General Power Tool Safety Warnings

⚠ WARNING Read all safety warnings, instructions, illustrations and specifications provided with this power tool. Failure to follow all instructions listed below may result in electric shock, fire and/or serious injury.

Save all warnings and instructions for future reference.

The term "power tool" in the warnings refers to your mains-operated (corded) power tool or battery-operated (cordless) power tool.

Work area safety

- ▶ **Keep work area clean and well lit.** Cluttered or dark areas invite accidents.
- ▶ **Do not operate power tools in explosive atmospheres, such as in the presence of flammable liquids, gases or dust.** Power tools create sparks which may ignite the dust or fumes.
- ▶ **Keep children and bystanders away while operating a power tool.** Distractions can cause you to lose control.

Electrical safety

- ▶ **Power tool plugs must match the outlet. Never modify the plug in any way. Do not use any adapter plugs with earthed (grounded) power tools.** Unmodified plugs and matching outlets will reduce risk of electric shock.
- ▶ **Avoid body contact with earthed or grounded surfaces, such as pipes, radiators, ranges and refrigerators.** There is an increased risk of electric shock if your body is earthed or grounded.
- ▶ **Do not expose power tools to rain or wet conditions.** Water entering a power tool will increase the risk of electric shock.
- ▶ **Do not abuse the cord. Never use the cord for carrying, pulling or unplugging the power tool. Keep cord away from heat, oil, sharp edges or moving parts.** Damaged or entangled cords increase the risk of electric shock.
- ▶ **When operating a power tool outdoors, use an extension cord suitable for outdoor use.** Use of a cord suitable for outdoor use reduces the risk of electric shock.
- ▶ **If operating a power tool in a damp location is unavoidable, use a residual current device (RCD) protected supply.** Use of an RCD reduces the risk of electric shock.

Personal safety

- ▶ **Stay alert, watch what you are doing and use common sense when operating a power tool. Do not use a power tool while you are tired or under the influence of drugs, alcohol or medication.** A moment of inatten-

tion while operating power tools may result in serious personal injury.

- ▶ **Use personal protective equipment. Always wear eye protection.** Protective equipment such as a dust mask, non-skid safety shoes, hard hat or hearing protection used for appropriate conditions will reduce personal injuries.
- ▶ **Prevent unintentional starting. Ensure the switch is in the off-position before connecting to power source and/or battery pack, picking up or carrying the tool.** Carrying power tools with your finger on the switch or energising power tools that have the switch on invites accidents.
- ▶ **Remove any adjusting key or wrench before turning the power tool on.** A wrench or a key left attached to a rotating part of the power tool may result in personal injury.
- ▶ **Do not overreach. Keep proper footing and balance at all times.** This enables better control of the power tool in unexpected situations.
- ▶ **Dress properly. Do not wear loose clothing or jewellery. Keep your hair and clothing away from moving parts.** Loose clothes, jewellery or long hair can be caught in moving parts.
- ▶ **If devices are provided for the connection of dust extraction and collection facilities, ensure these are connected and properly used.** Use of dust collection can reduce dust-related hazards.
- ▶ **Do not let familiarity gained from frequent use of tools allow you to become complacent and ignore tool safety principles.** A careless action can cause severe injury within a fraction of a second.

Power tool use and care

- ▶ **Do not force the power tool. Use the correct power tool for your application.** The correct power tool will do the job better and safer at the rate for which it was designed.
- ▶ **Do not use the power tool if the switch does not turn it on and off.** Any power tool that cannot be controlled with the switch is dangerous and must be repaired.
- ▶ **Disconnect the plug from the power source and/or remove the battery pack, if detachable, from the power tool before making any adjustments, changing accessories, or storing power tools.** Such preventive safety measures reduce the risk of starting the power tool accidentally.
- ▶ **Store idle power tools out of the reach of children and do not allow persons unfamiliar with the power tool or these instructions to operate the power tool.** Power tools are dangerous in the hands of untrained users.
- ▶ **Maintain power tools and accessories. Check for misalignment or binding of moving parts, breakage of parts and any other condition that may affect the power tool's operation. If damaged, have the power tool repaired before use.** Many accidents are caused by poorly maintained power tools.

- ▶ **Keep cutting tools sharp and clean.** Properly maintained cutting tools with sharp cutting edges are less likely to bind and are easier to control.
- ▶ **Use the power tool, accessories and tool bits etc. in accordance with these instructions, taking into account the working conditions and the work to be performed.** Use of the power tool for operations different from those intended could result in a hazardous situation.
- ▶ **Keep handles and grasping surfaces dry, clean and free from oil and grease.** Slippery handles and grasping surfaces do not allow for safe handling and control of the tool in unexpected situations.

Service

- ▶ **Have your power tool serviced by a qualified repair person using only identical replacement parts.** This will ensure that the safety of the power tool is maintained.

Safety instructions for jigsaws

- ▶ **Hold the power tool by insulated gripping surfaces, when performing an operation where the cutting accessory may contact hidden wiring or its own cord.** Cutting accessory contacting a "live" wire may make exposed metal parts of the power tool "live" and could give the operator an electric shock.
- ▶ **Use clamps or another practical way to secure and support the workpiece to a stable platform.** Holding the workpiece by hand or against your body leaves it unstable and may lead to loss of control.
- ▶ **Keep hands away from the sawing area. Do not reach under the workpiece.** Contact with the saw blade can lead to injuries.
- ▶ **Only bring the power tool into contact with the workpiece when switched on.** Otherwise there is danger of kickback if the cutting tool jams in the workpiece.
- ▶ **Ensure that the footplate always rests securely while sawing.** A jammed saw blade can break or lead to kickback.
- ▶ **When the cut is completed, switch off the power tool and then pull the saw blade out of the cut only after it has come to a standstill.** In this manner you can avoid kickback and can place down the power tool securely.
- ▶ **Always wait until the power tool has come to a complete stop before placing it down.** The application tool can jam and cause you to lose control of the power tool.
- ▶ **Use only undamaged saw blades that are in perfect condition.** Bent or dull saw blades can break, negatively influence the cut, or lead to kickback.
- ▶ **Do not brake the saw blade to a stop by applying side pressure after switching off.** The saw blade can be damaged, break or cause kickback.
- ▶ **Only use the power tool with the base plate.** If you do not use the base plate, you are at risk of not being able to control the power tool.
- ▶ **Use suitable detectors to determine if utility lines are hidden in the work area or call the local utility com-**

pany for assistance. Contact with electric lines can lead to fire and electric shock. Damaging a gas line can lead to explosion. Penetrating a water line causes property damage or may cause an electric shock.

Product Description and Specifications



Read all the safety and general instructions.

Failure to observe the safety and general instructions may result in electric shock, fire and/or serious injury.

Please observe the illustrations at the beginning of this operating manual.

Intended Use

The power tool is intended for making separating cuts and cut-outs in wood, plastic, metal, ceramic plates, rubber and laminate/HPL (High Pressure Laminate) while resting firmly on the workpiece. It is suitable for straight and curved cuts with mitre/bevel angles of up to 45°. The saw blade recommendations are to be observed.

Product Features

The numbering of the product features refers to the diagram of the power tool on the graphics page.

- (1) Stroke rate preselection thumbwheel
- (2) On/off switch
- (3) On/off switch locking mechanism
- (4) Hex key (5 mm)
- (5) Extraction hose
- (6) Extraction outlet
- (7) Base plate
- (8) Saw blade fastening screw
- (9) Guide roller
- (10) Saw blade
- (11) Shock protection guard
- (12) Hood for dust extraction
- (13) Saw blade receptacle
- (14) Handle (insulated gripping surface)
- (15) Anti-splinter guard^{a)}
- (16) Base plate screw
- (17) Scale for mitre/bevel angles
- (18) Profiled plate for base plate fastening
- (19) Positioning cam
- (20) Opening for positioning cam
- (21) Standard hole for base plate fastening
- (22) Hole for sawing close to edges
- (23) Guide for parallel guide
- (24) Locking screw for parallel guide^{a)}
- (25) Parallel guide with circle cutter^{a)}

(26) Circle cutter centring tip^{a)}

- a) **Accessories shown or described are not included with the product as standard. You can find the complete selection of accessories in our accessories range.**

Technical Data

Jigsaw		GST 680
Article number		3 601 EB4 0..
Rated power input	W	500
No-load stroke rate n_0	min ⁻¹	800–3100
Stroke	mm	20
Max. cutting depth		
– in wood	mm	68
– in aluminium	mm	10
– in steel (unalloyed)	mm	3
Max. cutting angle (left/right)	°	45
Weight according to EPTA-Procedure 01:2014	kg	2.0
Protection class		□/II

The specifications apply to a rated voltage [U] of 230 V. These specifications may vary at different voltages and in country-specific models.

Assembly

- **Pull the plug out of the socket before carrying out any work on the power tool.**

Inserting/changing the saw blade

- **When fitting or changing the saw blade, wear protective gloves.** Blades are sharp and can become hot when used for prolonged periods of time.

Selecting the saw blade

You will find an overview of recommended saw blades at the end of these operating instructions. Only use saw blades with a single lug shank (T shank) or with a 1/4" universal shank (U shank). The saw blade should not be longer than required for the intended cut.

Use a narrow saw blade when sawing tight curves.

Inserting the saw blade (see figure A)

- **Clean the shaft on the saw blade before inserting it.**

A dirty shaft cannot be securely fixed in place.

Loosen the saw blade fastening screw (8) using the hex key (4) provided.

Push the saw blade (10), with the teeth in the cutting direction, into the saw blade receptacle (13) ① until it clicks into place.

Make sure when inserting the saw blade that the back of the saw blade is in the groove on the guide roller (9).

Firmly tighten the screw (8) with the hex key (4) ②.

- **Check that the saw blade is seated securely.** A loose saw blade can fall out and lead to injuries.

Removing the saw blade (see figure B)

Unscrew the saw blade fastening screw (8) ① and remove the saw blade (10) ②.

Anti-splinter guard (accessory) (see figure C)

The anti-splinter guard (15) (accessory) can prevent splintering of the surface while sawing wood. The anti-splinter guard can only be used with certain saw blade types and only at a cutting angle of 0°. When sawing with the anti-splinter guard, the base plate (7) must not be moved to the rear for sawing close to edges.

Push the anti-splinter guard (15) into the base plate (7) from below.

Dust/Chip Extraction

The dust from materials such as lead paint, some types of wood, minerals and metal can be harmful to human health. Touching or breathing in this dust can trigger allergic reactions and/or cause respiratory illnesses in the user or in people in the near vicinity.

Certain dusts, such as oak or beech dust, are classified as carcinogenic, especially in conjunction with wood treatment additives (chromate, wood preservative). Materials containing asbestos may only be machined by specialists.

- Use a dust extraction system that is suitable for the material wherever possible.
- Provide good ventilation at the workplace.
- It is advisable to wear a P2 filter class breathing mask.

The regulations on the material being machined that apply in the country of use must be observed.

- **Avoid dust accumulation at the workplace.** Dust can easily ignite.

Hood

Fit the hood (12) before you connect the power tool to the dust extraction system.

Position the hood (12) on the power tool so that the brackets click into place in the recesses on the housing.

Remove the hood (12) when working without a dust extraction system and for mitre cuts. To do this, push the hood together at the level of the outer brackets and remove it by pulling it forwards.

Connecting the dust extraction system

Connect a dust extraction hose (5) (accessory) to the extraction outlet (6). Connect the dust extraction hose (5) to a dust extractor (accessory).

You will find an overview of connecting to various dust extractors at the end of these operating instructions.

For optimum dust extraction, where possible use the anti-splinter guard (15).

The dust extractor must be suitable for the material being worked.

When extracting dry dust that is especially detrimental to health or carcinogenic, use a special dust extractor.

Operation

- **Products that are only sold in AUS and NZ:** Use a residual current device (RCD) with a nominal residual current of 30 mA or less.

Operating modes

- **Pull the plug out of the socket before carrying out any work on the power tool.**

Adjusting the mitre/bevel angle (see figure D)

The base plate (7) can be swivelled to the right or left to make mitre cuts up to 45°.

The anti-splinter guard (15) cannot be used while mitre cuts are being made.

- Remove the anti-splinter guard (15).
- Loosen the screw (16) and push the base plate (7) slightly towards the mains cable.
- The base plate has lock-in points at 0° and 45° on the left and right so that precise mitre/bevel angles can be set. Swivel the base plate (7) to the desired position according to the scale (17). Other mitre/bevel angles can be adjusted using a protractor.
- Then push the base plate (7) towards the saw blade (10) as far as it will go.
- Retighten the screw (16).

Moving the base plate (see figure E)

You can move the base plate (7) back for sawing close to edges.

Fully unscrew the screw (16) using the hex key (4). Remove the screw together with the profiled plate (18).

Lift the base plate (7). Move the base plate towards the power cable so that the hole for sawing close to edges (22) is above the threaded hole in the power tool housing. The positioning cam (19) must engage in the opening (20) of the base plate at the same time. Insert the screw (16) along with the profiled plate (18) in the threaded hole and tighten the screw.

Sawing with an offset base plate (7) is only possible with a mitre/bevel angle of 0°. In addition, the parallel guide with circle cutter (25) (accessory) as well as the anti-splinter guard (15) must not be used.

Starting Operation

- **Pay attention to the mains voltage! The voltage of the power source must match the voltage specified on the rating plate of the power tool. Power tools marked with 230 V can also be operated with 220 V.**

Switching on/off

- **Make sure that you are able to press the On/Off switch without releasing the handle.**

To **switch on** the power tool, press the on/off switch (2).

To **lock** the on/off switch (2), press and hold it while also pressing the locking mechanism (3).

To **switch off** the power tool, release the on/off switch (2). If the on/off switch (2) is locked, press the switch first and then release it.

Preselect the stroke rate

You can preselect the stroke rate and change it during operation using the stroke rate preselection thumbwheel (1).

The required stroke rate is dependent on the material and the work conditions and can be determined using practical tests.

It is recommended that you reduce the stroke rate when placing the saw blade on the workpiece and when sawing plastic and aluminium.

The number of strokes can be adjusted using six different settings, allowing the cutting speed, cutting capacity and the cut itself to be optimally adapted to the material that you want to cut.

Setting	Stroke rate, approx. (min ⁻¹)	Application/Material
1	800	Metal
2	1300	Metal, narrow curved cuts
3	1800	Narrow curved cuts
4	2200	Curved cuts
5	2600	Curved cuts
6	3000	Standard cuts, fast cuts

During prolonged periods of use at a low stroke rate, the power tool may heat up significantly. Remove the saw blade and let the power tool run at the maximum stroke rate for around three minutes to cool down.

Working Advice

- **Pull the plug out of the socket before carrying out any work on the power tool.**
- **Switch the power tool off immediately if the saw blade becomes blocked.**
- **When machining small or thin workpieces, always use a stable base or saw table (accessory).**

Jigsaws are primarily designed for curved cuts. The range of products from **Bosch** also includes accessories which enable straight cuts or circular cuts (depending on the jigsaw model, e.g. parallel guide, guide rail or circle cutter).

Hand-held jigsaws generally tend to go off at an angle, i.e. under certain circumstances the angle and cutting accuracy can no longer be ensured. Decisive influencing factors on the accuracy are the saw blade thickness, cutting length and the material thickness and strength of the workpiece.

Therefore, always check using test cuts whether the cutting result of the selected system meets the requirements of your application.

Before sawing into wood, chipboard, building materials, etc., check for and remove any foreign objects such as nails, screws, etc.

Plunge cutting (see figure F)

- ▶ **Plunge cuts may only be applied to soft materials, such as wood, gypsum board, etc.**

For plunge cutting, use only short saw blades. Plunge cutting is possible only with a mitre angle of 0°.

Place the power tool so that the front edge of the base plate (7) rests on the workpiece, without the saw blade (10) touching the workpiece, and switch it on. On power tools with stroke rate control, select the maximum stroke rate. Press the power tool firmly against the workpiece and allow the saw blade to plunge slowly into the workpiece.

As soon as the base plate (7) rests fully on the workpiece, continue sawing along the required cutting line.

Parallel guide with circle cutter (accessory)

When working with the parallel guide with circle cutter (25) (accessory), the workpiece must be no more than 30 mm thick.

Parallel cuts (see figure G): Loosen the locking screw (24) and slide the scale on the parallel guide through the guide (23) in the base plate. Adjust the desired cutting width as a scale value on the inside edge of the base plate. Retighten the locking screw (24).

Circular cuts (see figure H): Drill a hole large enough to push the saw blade through on the cutting line within the circle to be cut. Machine the drill hole with a router or file so that the saw blade can lie flush with the cutting line.

Position the locking screw (24) on the other side of the parallel guide. Slide the scale on the parallel guide through the guide (23) into the base plate. Drill a hole in the workpiece in the middle of the section to be cut out. Insert the centring tip (26) through the inner opening of the parallel guide and into the drilled hole. Adjust the radius as a scale value on the inside edge of the base plate. Retighten the locking screw (24).

Coolant/lubricant

As the material heats up along the cutting line when cutting metal, you should apply coolant or lubricant.

Maintenance and Service**Maintenance and Cleaning**

- ▶ **Pull the plug out of the socket before carrying out any work on the power tool.**
- ▶ **To ensure safe and efficient operation, always keep the power tool and the ventilation slots clean.**

In order to avoid safety hazards, if the power supply cord needs to be replaced, this must be done by **Bosch** or by an after-sales service centre that is authorised to repair **Bosch** power tools.

Clean the saw blade receptacle regularly. For this, remove the saw blade from the power tool and lightly tap out the power tool on a level surface.

If the power tool becomes very dirty, this can lead to serious faults. For this reason, do not cut materials which generate large quantities of dust from below or overhead.

- ▶ **In extreme conditions, always use a dust extractor if possible. Blow out ventilation slots frequently and install a residual current device (RCD) upstream.** When machining metals, conductive dust can settle inside the power tool, which can affect its protective insulation.

If the dust outlet becomes blocked, switch off the power tool, disconnect the dust extraction system and remove the dust and chips.

Apply a drop of oil to the guide roller (9) from time to time. Check the guide roller (9) regularly. If worn, it must be replaced through an authorised **Bosch** after-sales service centre.

After-Sales Service and Application Service

Our after-sales service responds to your questions concerning maintenance and repair of your product as well as spare parts. You can find explosion drawings and information on spare parts at: www.bosch-pt.com

The Bosch product use advice team will be happy to help you with any questions about our products and their accessories.

In all correspondence and spare parts orders, please always include the 10-digit article number given on the nameplate of the product.

Malaysia

Robert Bosch Sdn. Bhd. (220975-V) PT/SMY
No. 8A, Jalan 13/6
46200 Petaling Jaya
Selangor
Tel.: (03) 79663194
Toll-Free: 1800 880188
Fax: (03) 79583838
E-Mail: kiathoe.chong@my.bosch.com
www.bosch-pt.com.my

You can find further service addresses at:

www.bosch-pt.com/serviceaddresses

Disposal

The power tool, accessories and packaging should be recycled in an environmentally friendly manner.



Do not dispose of power tools along with household waste.

Français

Consignes de sécurité

Avertissements de sécurité généraux pour l'outil électrique

⚠ AVERTISSEMENT Lire tous les avertissements de sécurité, les instructions, les illustrations et les spécifications fournies avec cet outil électrique.

Ne pas suivre les instructions énumérées ci-dessous peut provoquer un choc électrique, un incendie et/ou une blessure sérieuse.

Conservé tous les avertissements et toutes les instructions pour pouvoir s'y reporter ultérieurement.

Le terme "outil électrique" dans les avertissements fait référence à votre outil électrique alimenté par le secteur (avec cordon d'alimentation) ou votre outil électrique fonctionnant sur batterie (sans cordon d'alimentation).

Sécurité de la zone de travail

- ▶ **Conservé la zone de travail propre et bien éclairée.**
Les zones en désordre ou sombres sont propices aux accidents.
- ▶ **Ne pas faire fonctionner les outils électriques en atmosphère explosive, par exemple en présence de liquides inflammables, de gaz ou de poussières.** Les outils électriques produisent des étincelles qui peuvent enflammer les poussières ou les fumées.
- ▶ **Maintenir les enfants et les personnes présentes à l'écart pendant l'utilisation de l'outil électrique.** Les distractions peuvent vous faire perdre le contrôle de l'outil.

Sécurité électrique

- ▶ **Il faut que les fiches de l'outil électrique soient adaptées au socle. Ne jamais modifier la fiche de quelque façon que ce soit. Ne pas utiliser d'adaptateurs avec des outils électriques à branchement de terre.** Des fiches non modifiées et des socles adaptés réduisent le risque de choc électrique.
- ▶ **Éviter tout contact du corps avec des surfaces reliées à la terre telles que les tuyaux, les radiateurs, les cuisinières et les réfrigérateurs.** Il existe un risque accru de choc électrique si votre corps est relié à la terre.
- ▶ **Ne pas exposer les outils électriques à la pluie ou à des conditions humides.** La pénétration d'eau à l'intérieur d'un outil électrique augmente le risque de choc électrique.
- ▶ **Ne pas maltraiter le cordon. Ne jamais utiliser le cordon pour porter, tirer ou débrancher l'outil électrique. Maintenir le cordon à l'écart de la chaleur, du lubrifiant, des arêtes vives ou des parties en mouvement.** Des cordons endommagés ou emmêlés augmentent le risque de choc électrique.
- ▶ **Lorsqu'on utilise un outil électrique à l'extérieur, utiliser un prolongateur adapté à l'utilisation extérieure.**

L'utilisation d'un cordon adapté à l'utilisation extérieure réduit le risque de choc électrique.

- ▶ **Si l'usage d'un outil électrique dans un emplacement humide est inévitable, utiliser une alimentation protégée par un dispositif à courant différentiel résiduel (RCD).** L'usage d'un RCD réduit le risque de choc électrique.

Sécurité des personnes

- ▶ **Rester vigilant, regarder ce que vous êtes en train de faire et faire preuve de bon sens dans votre utilisation de l'outil électrique. Ne pas utiliser un outil électrique lorsque vous êtes fatigué ou sous l'emprise de drogues, de l'alcool ou de médicaments.** Un moment d'inattention en cours d'utilisation d'un outil électrique peut entraîner des blessures graves.
- ▶ **Utiliser un équipement de protection individuelle. Toujours porter une protection pour les yeux.** Les équipements de protection individuelle tels que les masques contre les poussières, les chaussures de sécurité antidérapantes, les casques ou les protections auditives utilisés pour les conditions appropriées réduisent les blessures.
- ▶ **Éviter tout démarrage intempestif. S'assurer que l'interrupteur est en position arrêt avant de brancher l'outil au secteur et/ou au bloc de batteries, de le ramasser ou de le porter.** Porter les outils électriques en ayant le doigt sur l'interrupteur ou brancher des outils électriques dont l'interrupteur est en position marche est source d'accidents.
- ▶ **Retirer toute clé de réglage avant de mettre l'outil électrique en marche.** Une clé laissée fixée sur une partie tournante de l'outil électrique peut donner lieu à des blessures.
- ▶ **Ne pas se précipiter. Garder une position et un équilibre adaptés à tout moment.** Cela permet un meilleur contrôle de l'outil électrique dans des situations inattendues.
- ▶ **S'habiller de manière adaptée. Ne pas porter de vêtements amples ou de bijoux. Garder les cheveux et les vêtements à distance des parties en mouvement.** Des vêtements amples, des bijoux ou les cheveux longs peuvent être pris dans des parties en mouvement.
- ▶ **Si des dispositifs sont fournis pour le raccordement d'équipements pour l'extraction et la récupération des poussières, s'assurer qu'ils sont connectés et correctement utilisés.** Utiliser des collecteurs de poussière peut réduire les risques dus aux poussières.
- ▶ **Rester vigilant et ne pas négliger les principes de sécurité de l'outil sous prétexte que vous avez l'habitude de l'utiliser.** Une fraction de seconde d'inattention peut provoquer une blessure grave.

Utilisation et entretien de l'outil électrique

- ▶ **Ne pas forcer l'outil électrique. Utiliser l'outil électrique adapté à votre application.** L'outil électrique adapté réalise mieux le travail et de manière plus sûre au régime pour lequel il a été construit.

- ▶ **Ne pas utiliser l'outil électrique si l'interrupteur ne permet pas de passer de l'état de marche à arrêt et inversement.** Tout outil électrique qui ne peut pas être commandé par l'interrupteur est dangereux et il faut le réparer.
 - ▶ **Débrancher la fiche de la source d'alimentation et/ou enlever le bloc de batteries, s'il est amovible, avant tout réglage, changement d'accessoires ou avant de ranger l'outil électrique.** De telles mesures de sécurité préventives réduisent le risque de démarrage accidentel de l'outil électrique.
 - ▶ **Conserver les outils électriques à l'arrêt hors de la portée des enfants et ne pas permettre à des personnes ne connaissant pas l'outil électrique ou les présentes instructions de le faire fonctionner.** Les outils électriques sont dangereux entre les mains d'utilisateurs novices.
 - ▶ **Observer la maintenance des outils électriques et des accessoires. Vérifier qu'il n'y a pas de mauvais alignement ou de blocage des parties mobiles, des pièces cassées ou toute autre condition pouvant affecter le fonctionnement de l'outil électrique. En cas de dommages, faire réparer l'outil électrique avant de l'utiliser.** De nombreux accidents sont dus à des outils électriques mal entretenus.
 - ▶ **Garder affûtés et propres les outils permettant de couper.** Des outils destinés à couper correctement entretenus avec des pièces coupantes tranchantes sont moins susceptibles de bloquer et sont plus faciles à contrôler.
 - ▶ **Utiliser l'outil électrique, les accessoires et les lames etc., conformément à ces instructions, en tenant compte des conditions de travail et du travail à réaliser.** L'utilisation de l'outil électrique pour des opérations différentes de celles prévues peut donner lieu à des situations dangereuses.
 - ▶ **Il faut que les poignées et les surfaces de préhension restent sèches, propres et dépourvues d'huiles et de graisses.** Des poignées et des surfaces de préhension glissantes rendent impossibles la manipulation et le contrôle en toute sécurité de l'outil dans les situations inattendues.
- Maintenance et entretien**
- ▶ **Faire entretenir l'outil électrique par un réparateur qualifié utilisant uniquement des pièces de rechange identiques.** Cela assure le maintien de la sécurité de l'outil électrique.
- Consignes de sécurité pour scies sauteuses**
- ▶ **Tenir l'outil électrique par des surfaces de préhension isolées au cours d'une opération où l'accessoire de coupe peut être en contact avec des fils dissimulés ou son propre câble.** Des accessoires de coupe en contact avec un fil "sous tension" peuvent mettre des parties métalliques exposées de l'outil électrique "sous tension" et provoquer un choc électrique chez l'opérateur.
 - ▶ **Utiliser des pinces ou autre moyen pratique pour fixer et soutenir la pièce à usiner sur une plateforme stable.** Tenir la pièce à usiner par la main ou contre le corps la rend instable et peut conduire à une perte de contrôle.
 - ▶ **N'approchez pas les mains de la zone de travail. Ne saisissez pas la pièce par en dessous dans la zone de travail.** Il y a risque de blessure grave en cas de contact avec la lame de scie.
 - ▶ **N'approchez l'outil électroportatif de la pièce à scier qu'après l'avoir mis en marche.** Il y a sinon risque de rebond au cas où la lame resterait coincée dans la pièce.
 - ▶ **Veillez à ce que la plaque de base repose bien à plat contre la pièce lors du sciage.** Une lame de scie qui coince peut se casser ou provoquer un rebond.
 - ▶ **Une fois le travail terminé, arrêtez l'outil électroportatif et attendez que la lame ne soit immobilisée avant de l'extraire de la pièce.** Tout risque de rebond est ainsi évité et l'outil électroportatif peut être posé en toute sécurité.
 - ▶ **Avant de poser l'outil électroportatif, attendez que celui-ci soit complètement à l'arrêt.** L'outil risque de se coincer, ce qui entraînerait une perte de contrôle de l'outil électroportatif.
 - ▶ **N'utilisez que des lames de scie en parfait état.** Les lames de scie déformées ou émoussées peuvent se casser, produire des coupes de mauvaise qualité ou causer des rebonds.
 - ▶ **Après avoir arrêté l'outil, n'immobilisez pas la lame de scie en exerçant une pression latérale sur celle-ci.** La lame de scie risquerait d'être endommagée, de se casser ou de causer un rebond.
 - ▶ **Utilisez l'outil électroportatif toujours avec la plaque de base.** Sans la plaque de base, l'outil électroportatif est difficile à maîtriser.
 - ▶ **Utilisez un détecteur approprié pour vérifier s'il n'y a pas de conduites cachées ou contactez votre société de distribution d'eau locale.** Tout contact avec des câbles électriques peut provoquer un incendie ou un choc électrique. Tout endommagement d'une conduite de gaz peut provoquer une explosion. La perforation d'une conduite d'eau provoque des dégâts matériels et peut provoquer un choc électrique.

Description des prestations et du produit



Lisez attentivement toutes les instructions et consignes de sécurité. Le non-respect des instructions et consignes de sécurité peut provoquer un choc électrique, un incendie et/ou entraîner de graves blessures.

Référez-vous aux illustrations qui se trouvent à l'avant de la notice d'utilisation.

Utilisation conforme

L'outil électroportatif est conçu pour effectuer, sur un support stable, des découpes et coupes dans le bois, les matières plastiques, le métal, les plaques en céramique, le caoutchouc, les panneaux mélaminés HPL (High Pressure Laminate). Il permet d'effectuer des coupes droites et courbées jusqu'à un angle d'inclinaison de 45°. Respectez les recommandations d'utilisation des lames de scie.

Éléments constitutifs

La numérotation des éléments se réfère à la représentation de l'outil électroportatif sur la page graphique.

- (1) Molette de présélection de cadence de coupe
- (2) Bouton Marche/Arrêt
- (3) Bouton de blocage de l'interrupteur Marche/Arrêt
- (4) Clé six pans mâle (5 mm)
- (5) Tuyau d'aspiration
- (6) Tubulure d'aspiration
- (7) Plaque de base
- (8) Vis de la fixation de lame
- (9) Galet de guidage
- (10) Lame de scie
- (11) Protège-main
- (12) Capot d'aspiration
- (13) Logement de lame
- (14) Poignée (surface de préhension isolée)
- (15) Pare-éclats^{a)}
- (16) Vis de la plaque de base
- (17) Échelle graduée d'angles d'inclinaison
- (18) Pièce profilée de fixation de la plaque de base
- (19) Came de positionnement
- (20) Ouverture pour came de positionnement
- (21) Trou de vissage standard pour fixation de la plaque de base
- (22) Trou de vissage pour sciage près des bords
- (23) Guidage pour la butée parallèle
- (24) Vis de blocage de la butée parallèle^{a)}
- (25) Butée parallèle avec compas^{a)}
- (26) Pointe de centrage du compas^{a)}

- a) Les accessoires décrits ou illustrés ne sont pas tous compris dans la fourniture. Vous trouverez l'ensemble des accessoires dans notre gamme d'accessoires.

Caractéristiques techniques

Scie sauteuse	GST 680	
Référence		3 601 EB4 0..
Puissance absorbée nominale	W	500
Cadence de coupe à vide n_0	min ⁻¹	800–3 100
Course	mm	20
Profondeur de coupe maxi		

Scie sauteuse	GST 680	
– dans le bois	mm	68
– dans l'aluminium	mm	10
– dans l'acier (non allié)	mm	3
Angle d'inclinaison (gauche/droite) maxi	°	45
Poids suivant EPTA-Procédure 01:2014	kg	2,0
Indice de protection		□/II

Les données indiquées sont valables pour une tension nominale [U] de 230 V. Elles peuvent varier lorsque la tension diffère de cette valeur et sur certaines versions destinées à certains pays.

Montage

- **Débranchez le câble d'alimentation de la prise avant d'effectuer des travaux quels qu'il soient sur l'outil électroportatif.**

Montage/changement de la lame de scie

- **Portez des gants de protection lors du montage ou du remplacement de l'accessoire de travail.** Les accessoires de travail sont tranchants et peuvent devenir chauds lors d'une utilisation prolongée de la scie.

Choix de la lame de scie

Vous trouverez une vue d'ensemble des lames de scie recommandées à la fin de cette notice d'utilisation. Ne montez que des lames à emmanchement à simple accroche (emmanchement en T) ou à emmanchement universel 1/4" (emmanchement en U). Toujours choisir une lame de scie pas plus longue que nécessaire pour la coupe à effectuer.

Pour le sciage de courbes serrées, utilisez des lames de scie fines à chantourner.

Mise en place de la lame de scie (voir figure A)

- **Nettoyez la queue de la lame avant de la mettre en place.** Une queue sale ne peut pas être fixée de manière sûre et ferme.

Desserrez la vis (8) de la fixation de lame avec la clé mâle pour vis à six pans creux (4) fournie.

Introduisez jusqu'au dé clic la lame de scie (10) dans le porte-lame (13) ① avec les dents orientées dans le sens de la coupe.

Lors du montage de la lame de scie, veillez à ce que le dos de la lame se trouve bien dans la gorge du galet de guidage (9).

Serrez la vis (8) à l'aide de la clé mâle pour vis à six pans creux (4) ②.

- **Vérifiez le serrage de la lame.** Une lame qui a du jeu peut tomber et risque de vous blesser.

Retrait de la lame de scie (voir figure B)

Desserrez la vis (8) de la fixation de lame ① et retirez la lame (10) ②.

Pare-éclats (accessoire) (voir figure C)

Le pare-éclats (15) (accessoire) évite la formation d'éclats sur les bords lors du sciage de bois. Le pare-éclats ne peut être utilisé que pour certains types de lames de scie et pour un angle de coupe de 0°. Lors d'un sciage avec le pare-éclats, la plaque de base (7) ne doit pas être déplacée vers l'arrière pour scier près des bords.

Pressez par le bas le pare-éclats (15) dans la plaque de base (7).

Aspiration de poussières/de copeaux

Les poussières de matériaux tels que peintures contenant du plomb, certains bois, minéraux ou métaux, peuvent être nuisibles à la santé. Le contact avec les poussières ou leur inhalation peut entraîner des réactions allergiques et/ou des maladies respiratoires auprès de l'utilisateur ou des personnes se trouvant à proximité.

Certaines poussières telles que les poussières de chêne ou de hêtre sont considérées comme cancérigènes, surtout en association avec des additifs pour le traitement du bois (chromate, lasure). Les matériaux contenant de l'amiante ne doivent être travaillés que par des personnes qualifiées.

- Si possible, utilisez un dispositif d'aspiration des poussières approprié au matériau.
- Veillez à bien aérer la zone de travail.
- Il est recommandé de porter un masque respiratoire avec un niveau de filtration de classe P2.

Respectez les règlements spécifiques aux matériaux à traiter en vigueur dans votre pays.

► **Évitez toute accumulation de poussières sur le lieu de travail.** Les poussières peuvent facilement s'enflammer.

Capot de protection

Montez le capot de protection (12) avant de raccorder l'outil électroportatif à un aspirateur.

Placez le capot de protection (12) sur l'outil électroportatif de sorte à ce que ses pattes de fixation s'encliquettent dans les évidements du carter.

Pour les travaux sans aspirateur ainsi que pour effectuer des coupes biaisées, retirez le capot (12). Appuyez pour cela des deux côtés sur le capot au niveau des deux fixations extérieures et retirez-le par l'avant.

Raccordement à un aspirateur

Raccordez un tuyau d'aspiration (5) (accessoire) à la tubulure d'aspiration (6). Raccordez l'autre extrémité du tuyau d'aspiration (5) à un aspirateur (accessoire).

Vous trouverez à la fin de cette notice une vue d'ensemble des aspirateurs auxquels peut être raccordé l'outil électroportatif.

Pour obtenir une aspiration optimale, montez si possible le pare-éclats (15).

L'aspirateur doit être conçu pour le type de matériau à scier. Pour l'aspiration de poussières particulièrement nuisibles à la santé, cancérigènes ou sèches, utilisez un aspirateur spécial.

Mise en marche

Modes de fonctionnement

► **Débranchez le câble d'alimentation de la prise avant d'effectuer des travaux quels qu'il soient sur l'outil électroportatif.**

Réglage de l'angle d'inclinaison pour coupes biaisées (voir figure D)

La plaque de base (7) peut être orientée vers la droite ou vers la gauche jusqu'à un angle de 45° pour réaliser des coupes biaisées.

Le pare-éclats (15) ne peut pas être utilisé pour les coupes biaisées.

- Retirez le pare-éclats (15).
- Desserrez la vis (16) et poussez la plaque de base (7) légèrement en direction du câble d'alimentation.
- Pour le réglage précis de l'angle d'inclinaison, la plaque de base dispose à gauche et à droite de crantages à 0° et 45°. Basculez la plaque de base (7) dans la position souhaitée en vous aidant de l'échelle graduée (17). D'autres angles d'inclinaison peuvent être réglés à l'aide d'un rapporteur.
- Poussez ensuite la plaque de base (7) à fond en direction de la lame de scie (10).
- Resserrez la vis (16).

Déplacement vers l'arrière de la plaque de base (voir figure E)

Pour scier près d'un bord, vous pouvez déplacer la plaque de base (7) vers l'arrière.

Desserrez complètement la vis (16) avec la clé mâle pour vis à six pans creux (4). Retirez la vis avec la pièce profilée (18).

Soulevez la plaque de base (7). Déplacez la plaque de base en direction du câble d'alimentation de façon à ce que le trou de vissage pour sciage près des bords (22) se trouve juste au-dessus du taraudage du carter de l'outil électroportatif. La came de positionnement (19) doit dans le même temps venir se loger dans l'ouverture (20) de la plaque de base. Insérez la vis (16) avec la pièce profilée (18) dans le taraudage et serrez la vis.

Lorsque la plaque de base (7) est reculée, on ne peut travailler qu'avec un angle de coupe à 0°. Il n'est pas possible non plus d'utiliser la butée parallèle avec dispositif pour coupes circulaires (25) (accessoire) et le pare-éclats (15).

Mise en marche

► **Tenez compte de la tension du réseau ! La tension du secteur doit correspondre aux indications se trouvant sur la plaque signalétique de l'outil électroportatif. Les outils électroportatifs marqués 230 V peuvent également fonctionner sur 220 V.**

Mise en marche/arrêt

► **Assurez-vous de pouvoir actionner l'interrupteur Marche/Arrêt sans avoir à relâcher la poignée.**

Pour **mettre en marche** l'outil électroportatif, appuyez sur l'interrupteur Marche/Arrêt (2).

Pour **bloquer** l'interrupteur Marche/Arrêt (2), maintenez-le enfoncé et poussez le bouton de blocage (3).

Pour **arrêter** l'outil électroportatif, relâchez l'interrupteur Marche/Arrêt (2). Si l'interrupteur Marche/Arrêt (2) est bloqué, appuyez d'abord dessus et relâchez-le ensuite.

Présélection de la vitesse

La molette de présélection (1) permet de présélectionner la cadence de coupe et de la modifier en cours de fonctionnement.

La cadence de coupe idéale dépend de la nature du matériau et des conditions de travail. Il est conseillé de la déterminer en procédant à des essais préalables.

Il est recommandé de réduire la cadence de coupe au moment où la lame de scie est appliquée contre la pièce ainsi que lors de la découpe de matières plastiques ou d'aluminium.

La cadence de coupe réglable dans six positions permet d'adapter la vitesse de coupe, l'amplitude de la course et la qualité de coupe au type de matériau à découper.

Position	Cadence de coupe (min ⁻¹)	Application/matériau
1	800	Métal
2	1 300	Métal, coupes incurvées serrées
3	1 800	Coupes incurvées serrées
4	2 200	Coupes incurvées
5	2 600	Coupes incurvées
6	3 000	Coupes standards, coupes rapides

Lors de travaux de coupe assez longs avec une faible cadence de coupe, l'outil électroportatif risque de chauffer fortement. Retirez la lame de scie et faites tourner l'outil électroportatif à sa cadence de coupe maximale pendant environ 3 minutes afin de refroidir le moteur.

Instructions d'utilisation

- **Débranchez le câble d'alimentation de la prise avant d'effectuer des travaux quels qu'il soient sur l'outil électroportatif.**
- **Arrêtez immédiatement l'appareil électroportatif lorsque la lame coince.**
- **Pour travailler de petites pièces ou des pièces de faible épaisseur, utilisez un support stable ou une table de sciage (accessoire).**

Les scies sauteuses sont surtout conçues pour effectuer des coupes courbées et incurvées. L'assortiment **Bosch** inclut aussi des accessoires permettant d'effectuer des coupes droites ou circulaires (p. ex. butée parallèle, rail de guidage ou compas).

Les scies sauteuses ont naturellement tendance à s'écarter de la ligne de coupe tracée, si bien qu'il n'est pas toujours

possible d'effectuer des coupes droites et biaisées de grande précision. La précision des coupes dépend de l'épaisseur de la lame, de la longueur de coupe, de l'épaisseur et de la densité de matière de la pièce à découper.

Effectuez pour cette raison toujours des coupes d'essai pour voir s'il est possible d'obtenir des résultats de coupe conformes aux attentes et exigences de l'application.

Avant de scier dans le bois, les panneaux d'agglomérés, les matériaux de construction etc., vérifiez s'ils contiennent des corps étrangers tels que clous, vis etc., et, le cas échéant, retirez-les.

Coupes plongeantes (voir figure F)

- **Il n'est possible d'effectuer des coupes plongeantes que pour des matériaux tendres tels que le bois, les plaques de plâtre, etc. !**

N'utilisez que des lames pour effectuer des coupes plongeantes. Les coupes plongeantes ne sont possibles qu'avec un angle d'inclinaison de 0°.

Positionnez l'outil électroportatif avec le bord avant de la plaque de base (7) sur la pièce, sans que la lame de scie (10) ne vienne en contact avec la pièce, et mettez l'outil électroportatif en marche. Si l'outil électroportatif dispose d'un variateur de vitesse, sélectionnez la cadence de coupe maximale. Appliquez fermement l'outil électroportatif contre la pièce et laissez lentement la lame plonger dans la pièce.

Dès que la plaque de base (7) repose de toute sa surface sur la pièce, mettez-vous à scier le long de la ligne de coupe préalablement tracée.

Butée parallèle avec compas (accessoire)

La butée parallèle avec compas (25) (accessoire) ne peut être utilisée que pour les pièces dont l'épaisseur ne dépasse pas 30 mm.

Coupes parallèles (voir figure G) : desserrez la vis de blocage (24) et faites passer l'échelle graduée de la butée parallèle à travers le guidage (23) de la plaque de base. Réglez la largeur de coupe souhaitée sur l'échelle graduée se trouvant sur le bord intérieur de la plaque de base. Resserrez la vis de blocage (24).

Coupes circulaires (voir figure H) : percez près de la ligne de coupe, à l'intérieur du cercle à découper, un trou de diamètre suffisant pour permettre le passage de la lame de scie. Élargissez le trou à l'aide d'une fraise ou d'une lime pour permettre à la lame de scie d'être au ras de la ligne de coupe. Placez la vis de blocage (24) de l'autre côté de la butée parallèle. Faites passer l'échelle graduée de la butée parallèle à travers le guidage (23) de la plaque de base. Percez dans la pièce un trou au centre de la découpe à effectuer. Insérez la pointe de centrage (26) dans l'ouverture intérieure de la butée parallèle et dans le trou percé. Réglez le rayon sur l'échelle graduée se trouvant sur le bord intérieur de la plaque de base. Resserrez la vis de blocage (24).

Liquides de refroidissement/lubrifiant

Pour la découpe de métal, appliquez un lubrifiant ou un liquide de refroidissement le long de la ligne de coupe.

Entretien et Service après-vente

Nettoyage et entretien

- ▶ **Débranchez le câble d'alimentation de la prise avant d'effectuer des travaux quels qu'il soient sur l'outil électroportatif.**
- ▶ **Tenez toujours propres l'outil électroportatif ainsi que les fentes de ventilation afin d'obtenir un travail impeccable et sûr.**

Dans le cas où il s'avère nécessaire de remplacer le câble d'alimentation, confiez le remplacement à **Bosch** ou une station de Service Après-Vente agréée pour outillage **Bosch** afin de ne pas compromettre la sécurité.

Nettoyez régulièrement le porte-lame. Pour ce faire, retirez la lame de scie de l'outil électroportatif et tapotez légèrement l'outil électroportatif contre une surface plane pour faire tomber les poussières.

Un fort encrassement de l'outil électroportatif risque d'altérer son bon fonctionnement. Pour cette raison, ne sciez jamais les matériaux produisant beaucoup de poussière par dessous ou dans une position en hauteur.

- ▶ **Dans la mesure du possible, utilisez toujours un aspirateur quand les conditions de travail sont extrêmes. Soufflez fréquemment de l'air comprimé au travers des fentes de ventilation et placez un disjoncteur différentiel (PRCD) en amont.** Lors du travail des métaux, il est possible que des poussières métalliques à effet conducteur se déposent à l'intérieur de l'outil. La double isolation de l'outil électroportatif risque alors d'être endommagée.

Si l'évacuation de la poussière se fait mal, arrêtez l'outil électroportatif, débranchez l'aspirateur et retirez la poussière et les copeaux.

Graissez de temps en temps le galet de guidage (9) avec une goutte d'huile.

Contrôlez régulièrement l'état du galet de guidage (9). S'il est usé, faites-le remplacer dans un centre de service après-vente pour outillage **Bosch** agréé.

Service après-vente et conseil utilisateurs

Notre Service après-vente répond à vos questions concernant la réparation et l'entretien de votre produit et les pièces de rechange. Vous trouverez des vues éclatées et des informations sur les pièces de rechange sur le site :

www.bosch-pt.com

L'équipe de conseil utilisateurs Bosch se tient à votre disposition pour répondre à vos questions concernant nos produits et leurs accessoires.

Pour toute demande de renseignement ou toute commande de pièces de rechange, précisez impérativement la référence à 10 chiffres figurant sur l'étiquette signalétique du produit.

Maroc

Robert Bosch Morocco SARL
53, Rue Lieutenant Mahroud Mohamed
20300 Casablanca

Tel. : +212 5 29 31 43 27

E-Mail : sav.outillage@ma.bosch.com

Vous trouverez d'autres adresses du service après-vente sous :

www.bosch-pt.com/serviceaddresses

Élimination des déchets

Les outils électroportatifs, ainsi que leurs accessoires et emballages, doivent pouvoir suivre chacun une voie de recyclage appropriée.



Ne jetez pas les outils électroportatifs avec les ordures ménagères !

Português

Instruções de segurança

Instruções gerais de segurança para ferramentas eléctricas

AVISO

Devem ser lidas todas as indicações de segurança,

instruções, ilustrações e especificações desta ferramenta eléctrica. O desrespeito das instruções apresentadas abaixo poderá resultar em choque eléctrico, incêndio e/ou ferimentos graves.

Guarde bem todas as advertências e instruções para futura referência.

O termo "ferramenta eléctrica" utilizado a seguir nas indicações de advertência, refere-se a ferramentas eléctricas operadas com corrente de rede (com cabo de rede) e a ferramentas eléctricas operadas com acumulador (sem cabo de rede).

Segurança da área de trabalho

- ▶ **Mantenha a sua área de trabalho sempre limpa e bem iluminada.** Desordem ou áreas de trabalho insuficientemente iluminadas podem levar a acidentes.
- ▶ **Não trabalhar com a ferramenta eléctrica em áreas com risco de explosão, nas quais se encontrem líquidos, gases ou pós inflamáveis.** Ferramentas eléctricas produzem faíscas, que podem inflamar pós ou vapores.
- ▶ **Manter crianças e outras pessoas afastadas da ferramenta eléctrica durante a utilização.** No caso de distração é possível que perca o controlo sobre o aparelho.

Segurança eléctrica

- ▶ **A ficha de conexão da ferramenta eléctrica deve caber na tomada. A ficha não deve ser modificada de maneira alguma. Não utilizar uma ficha de adaptação**

- junto com ferramentas eléctricas protegidas por ligação à terra.** Fichas não modificadas e tomadas apropriadas reduzem o risco de um choque eléctrico.
- ▶ **Evitar que o corpo possa entrar em contacto com superfícies ligadas à terra, como tubos, aquecimentos, fogões e frigoríficos.** Há um risco elevado devido a um choque eléctrico, se o corpo estiver ligado à terra.
 - ▶ **Manter o aparelho afastado de chuva ou humidade.** A infiltração de água numa ferramenta eléctrica aumenta o risco de choque eléctrico.
 - ▶ **Não deverá utilizar o cabo para outras finalidades. Nunca utilizar o cabo para transportar a ferramenta eléctrica, para pendurá-la, nem para puxar a ficha da tomada. Manter o cabo afastado do calor, do óleo, de arestas afiadas ou de peças em movimento.** Cabos danificados ou emaranhados aumentam o risco de um choque eléctrico.
 - ▶ **Se trabalhar com uma ferramenta eléctrica ao ar livre, só deverá utilizar cabos de extensão apropriados para áreas exteriores.** A utilização de um cabo de extensão apropriado para áreas exteriores reduz o risco de um choque eléctrico.
 - ▶ **Se não for possível evitar o funcionamento da ferramenta eléctrica em áreas húmidas, deverá ser utilizado um disjuntor de corrente de avaria.** A utilização de um disjuntor de corrente de avaria reduz o risco de um choque eléctrico.

Segurança de pessoas

- ▶ **Esteja atento, observe o que está a fazer e tenha prudência ao trabalhar com a ferramenta eléctrica. Não utilizar uma ferramenta eléctrica quando estiver fatigado ou sob a influência de drogas, álcool ou medicamentos.** Um momento de descuido ao utilizar a ferramenta eléctrica, pode levar a lesões graves.
- ▶ **Utilizar equipamento de protecção individual. Utilizar sempre óculos de protecção.** A utilização de equipamento de protecção pessoal, como máscara de protecção contra pó, sapatos de segurança antiderrapantes, capacete de segurança ou protecção auricular, de acordo com o tipo e aplicação da ferramenta eléctrica, reduz o risco de lesões.
- ▶ **Evitar uma colocação em funcionamento involuntária. Assegure-se de que a ferramenta eléctrica esteja desligada, antes de conectá-la à alimentação de rede e/ou ao acumulador, antes de levantá-la ou de transportá-la.** Se tiver o dedo no interruptor ao transportar a ferramenta eléctrica ou se o aparelho for conectado à alimentação de rede enquanto estiver ligado, poderão ocorrer acidentes.
- ▶ **Remover ferramentas de ajuste ou chaves de boca antes de ligar a ferramenta eléctrica.** Uma ferramenta ou chave que se encontre numa parte do aparelho em movimento pode levar a lesões.
- ▶ **Evite uma posição anormal. Mantenha uma posição firme e mantenha sempre o equilíbrio.** Desta forma é

mais fácil controlar a ferramenta eléctrica em situações inesperadas.

- ▶ **Usar roupa apropriada. Não usar roupa larga nem jóias. Mantenha os cabelos e roupas afastados de peças em movimento.** Roupas frouxas, cabelos longos ou jóias podem ser agarrados por peças em movimento.
- ▶ **Se for possível montar dispositivos de aspiração ou de recolha, assegure-se de que estejam conectados e utilizados correctamente.** A utilização de uma aspiração de pó pode reduzir o perigo devido ao pó.
- ▶ **Não deixe que a familiaridade resultante de uma utilização frequente de ferramentas permita que você se torne complacente e ignore os princípios de segurança da ferramenta.** Uma acção descuidada pode causar ferimentos graves numa fracção de segundo.

Utilização e manuseio cuidadoso de ferramentas eléctricas

- ▶ **Não sobrecarregue a ferramenta eléctrica. Utilize a ferramenta eléctrica apropriada para o seu trabalho.** É melhor e mais seguro trabalhar com a ferramenta eléctrica apropriada na área de potência indicada.
- ▶ **Não utilizar uma ferramenta eléctrica com um interruptor defeituoso.** Uma ferramenta eléctrica que não pode mais ser ligada nem desligada, é perigosa e deve ser reparada.
- ▶ **Puxar a ficha da tomada e/ou remover o acumulador, se amovível, antes de executar ajustes na ferramenta eléctrica, de substituir acessórios ou de guardar as ferramentas eléctricas.** Esta medida de segurança evita o arranque involuntário da ferramenta eléctrica.
- ▶ **Guardar ferramentas eléctricas não utilizadas fora do alcance de crianças e não permitir que as pessoas que não estejam familiarizadas com o aparelho ou que não tenham lido estas instruções utilizem o aparelho.** Ferramentas eléctricas são perigosas se forem utilizadas por pessoas inexperientes.
- ▶ **Tratar a ferramenta eléctrica e os acessórios com cuidado. Controlar se as partes móveis do aparelho funcionam perfeitamente e não emperram, e se há peças quebradas ou danificadas que possam prejudicar o funcionamento da ferramenta eléctrica. Permitir que peças danificadas sejam reparadas antes da utilização.** Muitos acidentes têm como causa, a manutenção insuficiente de ferramentas eléctricas.
- ▶ **Manter as ferramentas de corte afiadas e limpas.** Ferramentas de corte cuidadosamente tratadas e com cantos de corte afiados emperram com menos frequência e podem ser conduzidas com maior facilidade.
- ▶ **Utilizar a ferramenta eléctrica, acessórios, ferramentas de aplicação, etc. conforme estas instruções. Considerar as condições de trabalho e a tarefa a ser executada.** A utilização de ferramentas eléctricas para outras tarefas a não ser as aplicações previstas, pode levar a situações perigosas.
- ▶ **Mantenha os punhos e as superfícies de agarrar secas, limpas e livres de óleo e massa consistente.** Punhos e

superfícies de agarrar escorregadias não permitem o manuseio e controle seguros da ferramenta em situações inesperadas.

Serviço

- ▶ **Só permita que o seu aparelho seja reparado por pessoal especializado e qualificado e só com peças de reposição originais.** Desta forma é assegurado o funcionamento seguro do aparelho.

Indicações de segurança para serras verticais

- ▶ **Segure a ferramenta elétrica nas superfícies de agarrar isoladas, ao executar uma operação onde o acessório de corte possa entrar em contacto com cabos escondidos ou com o próprio cabo.** Se o acessório de corte entrar em contacto com um fio "sob tensão", as partes metálicas expostas da ferramenta elétrica ficam "sob tensão" e podem produzir um choque elétrico.
- ▶ **Use grampos ou outra forma prática para fixar e suportar a peça a trabalhar numa plataforma estável.** Segurar a peça a trabalhar com a mão ou contra o seu corpo, deixa a peça instável e pode perder o controlo.
- ▶ **Manter as mãos afastadas da área de serrar. Não tocar na peça a ser trabalhada pelo lado de baixo.** Há perigo de lesões no caso de contacto com a lâmina de serra.
- ▶ **Só conduzir a ferramenta elétrica no sentido da peça a ser trabalhada quando estiver ligada.** Caso contrário há risco de um contragolpe, se a ferramenta de aplicação se engancha na peça a ser trabalhada.
- ▶ **Certifique-se de que a placa de base está sempre firmemente apoiada enquanto está a serrar.** Uma lâmina de serra emperrada pode quebrar ou provocar um contragolpe.
- ▶ **Após encerrado o processo de trabalho, deverá desligar a ferramenta elétrica e apenas puxar a lâmina de serra do corte, quando a ferramenta elétrica estiver parada.** Desta forma são evitados contragolpes e é possível apoiar a ferramenta elétrica com segurança.
- ▶ **Esperre que a ferramenta elétrica pare completamente, antes de depositá-la.** A ferramenta de aplicação pode emperrar e levar à perda de controlo sobre a ferramenta elétrica.
- ▶ **Só utilizar lâminas de serra que estejam em perfeito estado e que não apresentem danos.** Lâminas de serra tortas e não suficiente afiadas podem quebrar, influenciar negativamente o corte ou causar um contragolpe.
- ▶ **Não travar a lâmina de serra através de pressão lateral após desligar o aparelho.** A lâmina de serra pode ser danificada, ser quebrada ou causar um contragolpe.
- ▶ **Utilize a ferramenta elétrica exclusivamente com placa base.** Ao trabalhar sem placa base existe o perigo de não conseguir controlar a ferramenta elétrica.
- ▶ **Utilizar detetores apropriados, para encontrar cabos escondidos, ou consulte a companhia elétrica local.** O contacto com cabos elétricos pode provocar fogo e choques elétricos. Danos em tubos de gás podem levar à

explosão. A penetração num cano de água causa danos materiais ou pode provocar um choque elétrico.

Descrição do produto e do serviço



Leia todas as instruções de segurança e instruções. A inobservância das instruções de segurança e das instruções pode causar choque elétrico, incêndio e/ou ferimentos graves.

Respeite as figuras na parte da frente do manual de instruções.

Utilização adequada

A ferramenta elétrica destina-se à realização de cortes e recortes em madeira, plástico, metal, placas de cerâmica, borracha e laminado/HPL (High Pressure Laminate) sobre uma base firme. É apropriada para cortes a direito e curvos com um ângulo de meia-esquadria até 45°. Observar as recomendações da lâmina de serra.

Componentes ilustrados

A numeração dos componentes ilustrados refere-se à apresentação da ferramenta elétrica na página de esquemas.

- (1) Roda de ajuste da pré-seleção do número de cursos
- (2) Interruptor de ligar/desligar
- (3) Travamento do interruptor de ligar/desligar
- (4) Chave sextavada interior (5 mm)
- (5) Mangueira de aspiração
- (6) Bocal de aspiração
- (7) Placa base
- (8) Parafuso fixação da lâmina
- (9) Rolete de guia
- (10) Lâmina de serra
- (11) Proteção contra contacto
- (12) Tampa de cobertura para aspiração
- (13) Encaixe para o encabadouro da lâmina de serra
- (14) Punho (superfície do punho isolada)
- (15) Proteção contra o arranque de aparas^{a)}
- (16) Parafuso placa base
- (17) Escala do ângulo de meia-esquadria
- (18) Régua de perfil fixação da placa base
- (19) Saliência de posicionamento
- (20) Abertura para saliência de posicionamento
- (21) Orifício do furo padrão fixação da placa base
- (22) Orifício do furo para serrar junto à borda
- (23) Guia para guia paralela
- (24) Parafuso de fixação da guia paralela^{a)}
- (25) Guia paralela com cortador circular^{a)}

(26) Ponta centradora do cortador circular^{a)}

- a) **Acessórios apresentados ou descritos não pertencem ao volume de fornecimento padrão. Todos os acessórios encontram-se no nosso programa de acessórios.**

Dados técnicos

Serrote de ponta		GST 680
Número de produto		3 601 EB4 0..
Potência nominal absorvida	W	500
N.º de cursos em vazio n_0	c.p.m.	800–3100
Curso	mm	20
Máx. profundidade de corte		
– em madeira	mm	68
– em alumínio	mm	10
– em aço (não ligado)	mm	3
Máx. ângulo de corte (esquerda/direita)	°	45
Peso conforme EPTA-Procedure 01:2014	kg	2,0
Classe de proteção		□/II

Os dados aplicam-se a uma tensão nominal [U] de 230 V. Com tensões divergentes e em versões específicas do país, estes dados podem variar.

Montagem

- **Antes de todos trabalhos na ferramenta elétrica deverá puxar a ficha de rede da tomada.**

Introduzir/substituir a lâmina de serra

- **Para a montagem ou substituição do acessório é necessário usar luvas de proteção.** Os acessórios são afiados e podem ficar quentes em caso de uso prolongado.

Selecionar lâmina de serra


Encontra um resumo das lâminas de serra recomendadas no final destas instruções. Use apenas lâminas de serra com encabadouro de um ressalto (encabadouro T) ou com encabadouro universal de 1/4" (encabadouro U). A lâmina de serra não deveria ser mais longa do que necessário para o corte previsto.

Para serrar curvas apertadas deve ser usada uma lâmina de serrar estreita.


Introduzir a lâmina de serra (ver figura A)

- **Limpe o encabadouro da lâmina de serra antes da colocação.** Uma bainha suja não pode ser fixa de forma segura.

Soltar o parafuso **(8)** da fixação da lâmina de serra com a chave sextavada interior **(4)** fornecida.



Empurrar a lâmina de serra **(10)**, com os dentes para o sentido de corte, até engatar na admissão da lâmina de serra **(13)** .

Ao colocar a lâmina de serra, certifique-se de que as costas da lâmina de serra se encontram no sulco do rolete de guia **(9)**.

Apertar o parafuso **(8)** com a chave sextavada interior **(4)** .

- **Controle a posição firme da lâmina de serra.** Uma lâmina de serra solta pode cair e causar feridas.

Retirar a lâmina de serra (ver figura B)

Soltar o parafuso **(8)** da fixação da lâmina de serra  e retirar a lâmina de serra **(10)** .

Proteção contra o arranque de aparas (acessórios) (ver figura C)

A proteção contra o arranque de aparas **(15)** (acessório) pode evitar o lascas da superfície ao serrar madeira. A proteção contra o arranque de aparas só pode ser usada com determinados tipos de lâmina de serra e apenas com um ângulo de corte de 0°. A placa base **(7)**, ao serrar com a proteção contra o arranque de aparas, não pode ser deslocada para trás para serrar rente à borda.

Pressione a proteção contra o arranque de aparas **(15)** a partir de baixo na placa base **(7)**.

Aspiração de pó/de aparas

Pós de materiais como por exemplo, tintas que contém chumbo, alguns tipos de madeira, minerais e metais, podem ser nocivos à saúde. O contacto ou a inalação dos pós pode provocar reações alérgicas e/ou doenças nas vias respiratórias do utilizador ou das pessoas que se encontrem por perto.

Certos pós, como por exemplo pó de carvalho e faia são considerados como sendo cancerígenos, especialmente quando juntos com substâncias para o tratamento de madeiras (cromato, produtos de proteção da madeira). Material que contém asbesto só deve ser processado por pessoal especializado.

- Se possível deverá usar um dispositivo de aspiração de pó apropriado para o material.
- Assegurar uma boa ventilação do local de trabalho.
- É recomendável usar uma máscara de proteção respiratória com filtro da classe P2.

Observe as diretivas para os materiais a serem processados, vigentes no seu país.

- **Evite a acumulação de pó no local de trabalho.** Pós podem entrar levemente em ignição.

Tampa de cobertura

Monte a tampa de cobertura **(12)**, antes de ligar a ferramenta elétrica a um sistema de aspiração de pó.

Coloque a tampa de cobertura **(12)** na ferramenta elétrica de forma a que os suportes engatem nos entalhes da caixa. Retire a tampa de cobertura **(12)** para trabalhos sem aspiração de pó e para cortes em meia-esquadria. Para tal é necessário comprimir a capa na altura dos dispositivos de fixação laterais puxar pela frente para retirá-la.

Conectar a aspiração de pó

Insira uma mangueira de aspiração (5) (acessório) no bocal de aspiração (6). Ligue a mangueira de aspiração (5) a um aspirador (acessório).

Encontra um resumo da ligação aos diferentes aspiradores no final deste manual.

Para uma excelente aspiração utilize se possível uma proteção contra o arranque de aparas (15).

O aspirador de pó deve ser apropriado para o material a ser trabalhado.

Utilizar um aspirador especial para aspirar pó que seja extremamente nocivo à saúde, cancerígeno ou seco.

Funcionamento

Modos de operação

- ▶ **Antes de todos trabalhos na ferramenta elétrica deverá puxar a ficha de rede da tomada.**

Ajustar o ângulo de meia-esquadria (ver figura D)

A placa base (7) pode ser oscilada até 45° para a direita para cortes em meia-esquadria.

A proteção contra o arranque de aparas (15) não pode ser usada em cortes em meia-esquadria.

- Retire a proteção contra o arranque de aparas (15).
- Solte o parafuso (16) e empurre a placa base (7) ligeiramente no sentido do cabo de rede.
- Para o ajuste de ângulos de meia-esquadria precisos, a placa base tem pontos de engate à direita e à esquerda de 0° e 45°. Oscile a placa base (7) de acordo com a escala (17) para a posição desejada. Outros ângulo de meia-esquadria podem ser ajustados com um medidor de ângulos.
- A seguir empurre a placa base (7) até ao batente no sentido da lâmina de serra (10).
- Reaperte o parafuso (16).

Deslocar a placa base (ver figura E)

Para serrar rente à borda pode deslocar a placa base (7) para trás.

Desapertar por completo o parafuso (16) com a chave sextavada interior (4). Retirar o parafuso juntamente com a régua de perfil (18).

Levantar a placa base (7). Deslocar a placa base no sentido do cabo de rede para que o orifício do furo para serrar junto à borda (22) fique por cima do orifício roscado na carcaça da ferramenta elétrica. A saliência de posicionamento (19) tem de engatar em simultâneo na abertura (20) da placa base. Colocar o parafuso (16) com a régua de perfil (18) no orifício roscado e apertar o parafuso.

Serrar com a placa base (7) deslocada só é possível com um ângulo de meia-esquadria de 0°. Para além disso, a guia paralela com cortador circular (25) (acessórios) e a proteção contra o arranque de aparas (15) não podem ser usadas.

Colocação em funcionamento

- ▶ **Observar a tensão de rede! A tensão da fonte de corrente elétrica tem de coincidir com a que consta na chapa de identificação da ferramenta elétrica. Ferramentas elétricas marcadas para 230 V também podem ser operadas com 220 V.**

Ligar/desligar

- ▶ **Certifique-se de que consegue acionar o interruptor de ligar/desligar sem ter de soltar o punho.**

Para **ligar** a ferramenta elétrica, prima o interruptor de ligar/desligar (2).

Para **fixar** o interruptor de ligar/desligar (2) mantenha-o pressionado e prima também o sistema de retenção (3).

Para **desligar** a ferramenta elétrica, solte o botão de ligar/desligar (2). Fixado o interruptor de ligar/desligar (2), prima-o primeiro e solte-o depois.

Pré-selecionar número de cursos

Com a roda de pré-seleção do número de cursos (1) pode pré-selecionar o número de cursos e pode alterar o mesmo durante o funcionamento.

O número de cursos necessário depende do material e das condições de trabalho e pode ser determinado por tentativas.

Recomendamos uma redução do número de cursos ao colocar a lâmina de serra na peça, assim como ao serrar plástico e alumínio.

O número de cursos ajustáveis em seis níveis permite a adequação perfeita da velocidade de corte, do rendimento de corte e da imagem de corte ao material a processar.

Nível	Número de cursos aprox. (c. p. m.)	Aplicação/material
1	800	Metal
2	1300	Metal, cortes curvos apertados
3	1800	Cortes curvos apertados
4	2200	Cortes curvos
5	2600	Cortes curvos
6	3000	Cortes standard, cortes rápidos

No caso de trabalhos mais prolongados com número de cursos reduzido, a ferramenta elétrica pode aquecer muito. Retire a lâmina de serra e deixe a ferramenta elétrica funcionar aprox. 3 min com o número de cursos mais elevado para arrefecer.

Instruções de trabalho

- ▶ **Antes de todos trabalhos na ferramenta elétrica deverá puxar a ficha de rede da tomada.**
- ▶ **Desligue a ferramenta elétrica de imediato se a lâmina de serra encravar.**

► **Para processar peças a serem trabalhadas pequenas ou finas, deverá sempre ser utilizada uma base firme ou uma mesa de serrar (acessório).**

As serras verticais foram concebidas principalmente para cortes curvos. No sortido da **Bosch** também existem acessórios que permitem cortes a direito ou cortes circulares (consoante o modelo da serra vertical, p. ex. guia paralela, calha de guia ou cortador circular).

As serras verticais manuais tendem por princípio para o chamado «Avanço», ou seja, a precisão angular e de corte deixa eventualmente de estar assegurada. Fatores de influência decisivos sobre a precisão, são a espessura da lâmina de serra, o comprimento de corte, bem como a densidade e espessura do material da peça.

Assim, verifique sempre através de cortes de ensaio, se o resultado de corte do sistema selecionado corresponde às suas necessidades de aplicação.

Antes de serrar em madeira, placas de aglomerado de madeira, materiais de construção etc. verifique se estes apresentam corpos estranhos, como pregos, parafusos ou semelhantes e retire-os se necessário.

Serrar por imersão (ver figura F)

► **Só podem ser processados materiais macios como madeira, pladur ou semelhantes no processo de imersão!**

Só utilizar lâminas de serra curtas ao serrar por imersão. Serrar em imersão só é possível com um ângulo de meia-esquadria 0°.

Coloque a ferramenta elétrica com o canto da frente da placa base (7) na peça, sem que a lâmina de serra (10) toque na peça, e ligue-a. Nas ferramentas elétricas com controlo dos cursos selecione o número de cursos máximo. Pressione a ferramenta elétrica contra a peça e deixe a lâmina de serra afundar devagar na peça.

Assim que a placa base (7) assentar completamente da peça, continue a serrar ao longo da linha de corte desejada.

Guia paralela com cortador circular (acessórios)

Para trabalhos com a guia paralela com cortador circular (25) (acessórios), a espessura da peça só pode ser no máximo 30 mm.

Cortes paralelos (ver figura G): solte o parafuso de fixação (24) e introduza a escala da guia paralela através da guia (23) na placa base. Ajustar a largura de corte desejada como valor de escala no canto interior da placa de base. Aperte o parafuso de fixação (24).

Cortes circulares (ver figura H): faça um furo na linha de corte dentro do furo a serrar, que chegue para inserir a lâmina de serra. Aumentar o furo com uma fresa ou com uma lima, para que a lâmina de serra possa estar alinhada à linha de corte.

Coloque o parafuso de fixação (24) no outro lado da guia paralela. Introduza a escala da guia paralela através da guia (23) na placa base. Fazer um buraco no centro do recorte a ser realizado na peça a ser trabalhada. Introduza a ponta centradora (26) através da abertura da guia paralela e no

furo feito. Ajustar o raio como valor de escala no canto interior da placa de base. Aperte o parafuso de fixação (24).

Meio de arrefecimento e de lubrificação

Ao serrar metal, deveria aplicar um meio de lubrificação ou de arrefecimento ao longo da linha de corte, devido ao aquecimento do material.

Manutenção e assistência técnica

Manutenção e limpeza

► **Antes de todos trabalhos na ferramenta elétrica deverá puxar a ficha de rede da tomada.**

► **Manter a ferramenta elétrica e as aberturas de ventilação sempre limpas, para trabalhar bem e de forma segura.**

Se for necessário instalar um cabo de ligação, a instalação deve ser feita pela **Bosch** ou por um centro de serviço autorizado para ferramentas elétricas **Bosch**, para evitar perigos de segurança.

Limpar regularmente a admissão da lâmina de serra. Para isto deverá retirar a lâmina de serra da ferramenta elétrica e dar umas leves pancadinhas na ferramenta elétrica numa superfície plana.

Uma forte sujidade da ferramenta elétrica pode causar falhas de funcionamento. Por isso, não serre material que origine muito pó a partir de baixo ou por cima da cabeça.

► **Em condições de utilização extremas utilize sempre, se possível, um sistema de aspiração. Sobre frequentemente as aberturas de ventilação e interconecte um disjuntor de corrente de avaria (PRCD).** Durante o processamento de metais é possível que se deposite pó condutivo no interior da ferramenta elétrica. Isto pode prejudicar o isolamento de proteção da ferramenta elétrica.

Se a saída de pó ficar entupida, desligue a ferramenta elétrica, retire a aspiração de pó e remova o pó e as aparas. De vez em quando deverá lubrificar o rolo de guia (9) com uma gota de óleo.

Controlar o rolo de guia (9) regularmente. Se apresentar desgaste, deverá ser substituído por um serviço pós-venda autorizado **Bosch**.

Serviço pós-venda e aconselhamento

O serviço pós-venda responde às suas perguntas a respeito de serviços de reparação e de manutenção do seu produto, assim como das peças sobressalentes. Desenhos explodidos e informações acerca das peças sobressalentes também em: www.bosch-pt.com

A nossa equipa de consultores Bosch esclarece com prazer todas as suas dúvidas a respeito dos nossos produtos e acessórios.

Indique para todas as questões e encomendas de peças sobressalentes a referência de 10 dígitos de acordo com a placa de características do produto.

Brasil

Robert Bosch Ltda. – Divisão de Ferramentas Elétricas
Rodovia Anhanguera, Km 98 - Parque Via Norte
13065-900, CP 1195
Campinas, São Paulo
Tel.: 0800 7045 446
www.bosch.com.br/contato

Encontra outros endereços da assistência técnica em:

www.bosch-pt.com/serviceaddresses

Eliminação

Ferramentas elétricas, acessórios e embalagens devem ser enviados a uma reciclagem ecológica de matérias-primas.



Não deitar ferramentas elétricas no lixo doméstico!

中文**安全规章****电动工具通用安全警告****警告！**

阅读随电动工具提供的所有安全警告、说明、图示和规定。

不遵照以下所列说明会导致电击、着火和/或严重伤害。

保存所有警告和说明书以备查阅。

警告中的术语“电动工具”是指市电驱动（有线）电动工具或电池驱动（无线）电动工具。

工作场地的安全

- ▶ **保持工作场地清洁和明亮。** 杂乱和黑暗的场地会引发事故。
- ▶ **不要在易爆环境，如有易燃液体、气体或粉尘的环境下操作电动工具。** 电动工具产生的火花会点燃粉尘或气体。
- ▶ **操作电动工具时，远离儿童和旁观者。** 注意力不集中会使你失去对工具的控制。

电气安全

- ▶ **电动工具插头必须与插座相配。** 绝不能以任何方式改装插头。需接地的电动工具不能使用任何转换插头。未经改装的插头和相配的插座将降低电击风险。
- ▶ **避免人体接触接地表面，如管道、散热片和冰箱。** 如果你身体接触接地表面会增加电击风险。
- ▶ **不得将电动工具暴露在雨中或潮湿环境中。** 水进入电动工具将增加电击风险。
- ▶ **不得滥用软线。** 绝不能用软线搬运、拉动电动工具或拔出其插头。使软线远离热源、油、锐边或运动部件。受损或缠绕的软线会增加电击风险。

- ▶ **当在户外使用电动工具时，使用适合户外使用的延长线。** 适合户外使用的电线将降低电击风险。
- ▶ **如果无法避免在潮湿的环境中操作电动工具，应使用带有剩余电流装置（RCD）保护的电源。** RCD的使用可降低电击风险。

人身安全

- ▶ **保持警觉，当操作电动工具时关注所从事的操作并保持清醒。** 当你感到疲倦，或在有药物、酒精或治疗反应时，不要操作电动工具。在操作电动工具时瞬间的疏忽会导致严重人身伤害。
- ▶ **使用个人防护装置。** 始终佩戴护目镜。防护装置，诸如适当条件下使用防尘面具、防滑安全鞋、安全帽、听力防护等装置能减少人身伤害。
- ▶ **防止意外起动。** 在连接电源和/或电池包、拿起或搬运工具前确保开关处于关断位置。手指放在开关上搬运工具或开关处于接通时通电会导致危险。
- ▶ **在电动工具接通之前，拿掉所有调节钥匙或扳手。** 遗留在电动工具旋转零件上的扳手或钥匙会导致人身伤害。
- ▶ **手不要过分伸展。** 时刻注意立足点和身体平衡。这样能在意外情况下能更好地控制住电动工具。
- ▶ **着装适当。** 不要穿宽松衣服或佩戴饰品。让你的头发和衣服远离运动部件。宽松衣服、佩戴或长发可能会卷入运动部件。
- ▶ **如果提供了与排屑、集尘设备连接用的装置，要确保其连接完好且使用得当。** 使用集尘装置可降低粉尘引起的危险。
- ▶ **不要因为频繁使用工具而产生的熟悉感而掉以轻心，忽视工具的安全准则。** 某个粗心的动作可能在瞬间导致严重的伤害。

电动工具使用和注意事项

- ▶ **不要勉强使用电动工具，根据用途使用合适的电动工具。** 选用合适的按照额定值设计的电动工具会使你工作更有效、更安全。
- ▶ **如果开关不能接通或关断电源，则不能使用该电动工具。** 不能通过开关来控制的电动工具是危险的且必须进行修理。
- ▶ **在进行任何调节、更换附件或贮存电动工具之前，必须从电源上拔掉插头和/或卸下电池包（如可拆卸）。** 这种防护性的安全措施降低了电动工具意外起动的风险。
- ▶ **将闲置不用的电动工具贮存在儿童所及范围之外，并且不允许不熟悉电动工具和不了解这些说明的人操作电动工具。** 电动工具在未经培训的使用者手中是危险的。
- ▶ **维护电动工具及其附件。** 检查运动部件是否调整到位或卡住，检查零件破损情况和影响电动工具运行的其他状况。如有损坏，应在使用前修理好电动工具。许多事故是由维护不良的电动工具引发的。
- ▶ **保持切削刀具锋利和清洁。** 维护良好地有锋利切削刃的刀具不易卡住而且容易控制。
- ▶ **按照使用说明书，并考虑作业条件和要进行的作业来选择电动工具、附件和工具的刀头等。** 将电

动工具用于那些与其用途不符的操作可能会导致危险情况。

- ▶ **保持手柄和握持表面干燥、清洁，不得沾有油脂。** 在意外的情况下，湿滑的手柄不能保证握持的安全和对工具的控制。

维修

- ▶ **由专业维修人员使用相同的备件维修电动工具。** 这将保证所维修的电动工具的安全。

往复锯安全说明

- ▶ **当在锯割附件可能触及暗线或其自身导线的场合进行操作时，要通过绝缘握持面握持工具。** 锯割附件碰到带电导线会使工具外露的金属零件带电而使操作者受到电击。
- ▶ **使用夹具或其他实用方法将工件固定和支撑在稳定的工作台面。** 用手或身体固定工件会使工件不稳引起失控。
- ▶ **双手必须远离锯割范围，手不可以握在工件下端。** 如果不小心碰触了锯片可能被割伤。
- ▶ **先开动电动工具后再把工具放置在工件上切割。** 如果电动工具被夹在工件中，会有反弹的危险。
- ▶ **注意锯割时把底盘正确安稳地放置。** 锯片如果歪斜了，可能断裂或者造成反弹。
- ▶ **工作告一段落时，必须先关闭电动工具并等待机器完全静止后，才可以从锯缝中拔出锯刀。** 如此不但可以防止反弹，而且可以防止放置机器时发生危险。
- ▶ **等待电动工具完全静止后才能够放下机器。** 机器上的工具可能在工作中被夹住，而令您无法控制电动工具。
- ▶ **只能使用未受损的功能正常的锯片。** 弯曲或变钝的锯片可能断裂，对锯痕造成负面影响或导致反弹。
- ▶ **关机后不可以侧压刀片来制止仍然继续转动的刀片。** 锯刀可能因此受损、断裂或者造成反击。
- ▶ **只允许在装备好底板的情况下使用本电动工具。** 在没有底板的情况下操作时，存在无法控制电动工具的危险。
- ▶ **使用合适的侦测装置侦察隐藏的电线，或者向当地的相关单位寻求支援。** 接触电线可能引起火灾并让操作者触电。损坏了瓦斯管会引起爆炸。凿穿水管不仅会造成严重的财物损失，也可能导致触电。

产品和性能说明



请阅读所有安全规章和指示。 不遵照以下警告和说明可能导致电击、着火和/或严重伤害。

请注意本使用说明书开头部分的图示。

按照规定使用

本电动工具用于在稳固的底座上对木材、塑料、金属、陶片、橡胶和层压板/HPL（防火板）进行切割和开孔。适用于直线切割以及斜切角度在45度以下的曲线切割。请使用推荐的锯片。

插图上的机件

机件的编号和电动工具详解图上的编号一致。

- (1) 冲击次数预选调节轮
- (2) 起停开关
- (3) 起停开关止动件
- (4) 内六角扳手（5毫米）
- (5) 集尘软管
- (6) 抽吸套管
- (7) 底板
- (8) 固定锯片的螺栓
- (9) 导引轮
- (10) 锯片
- (11) 防割伤装置
- (12) 集尘装置盖罩
- (13) 锯片架
- (14) 手柄（绝缘握柄）
- (15) 防毛边压板^{a)}
- (16) 底板螺栓
- (17) 斜切角的刻度
- (18) 固定底板的条状型材
- (19) 定位凸轮
- (20) 定位凸轮开口
- (21) 固定底板的标准螺栓
- (22) 用于紧靠边缘锯割的螺孔
- (23) 平行限制器的导引
- (24) 平行限制器的固定螺丝^{a)}
- (25) 带开圆器的平行限制器^{a)}
- (26) 开圆器定心尖^{a)}

a) 图表或说明上提到的附件，并不包含在基本的供货范围中。本公司的附件清单中有完整的附件供应项目。

技术参数

曲线锯		GST 680
物品代码		3 601 EB4 0..
额定输入功率	瓦	500
空载转速 n_0	转/分钟	800-3100
冲程	毫米	20
最大切割深度		
- 木材	毫米	68
- 铝材	毫米	10
- 钢材（非合金）	毫米	3
最大切割角度（左/右）	度	45
重量符合EPTA-Procedure 01:2014	公斤	2.0
保护等级		□/II

所有参数适用于230伏的额定电压[U]，对于其他不同的电压和国际规格，数据有可能不同。

安装

- ▶ 在电动工具上进行所有操作之前都必须从插座上拔出电源插头。

安装/更换锯片

- ▶ 安装或更换工具刀头时务必佩戴保护手套。工具刀头非常锋利，长时间使用后会变热。

选择锯片

在本说明书的最后有锯片的一览表。只能安装带凸轮式刀柄（T型刀柄）或带1/4英寸通用刀柄（U型刀柄）的锯片。锯片长度不得超过预定锯切线所需的数值。

在狭小的弯角上锯割时要使用窄的锯片。

安装锯片（见图片 A）

- ▶ 安装前，请清洁锯片的柄部。脏污的柄部无法牢固固定。

用随附的内六角扳手(4)松开固定锯片的螺栓(8)。推动锯片(10)，使锯齿朝向切割方向，直至卡入锯片架(13)。

在安装锯片时注意，锯片背位于导引轮(9)的槽内。接着将螺栓(8)用内六角扳手(4)牢牢拧紧。

- ▶ 检查锯片是否牢固固定。松脱的锯片会从接头掉落并伤害您。

取下锯片（参见插图 B）

松开固定锯片的螺栓(8)并取下锯片(10)。

防毛边压板（附件）（参见插图 C）

防毛边压板(15)（附件）可以在锯割木材时防止表面裂开。防毛边压板只能用于特定的锯片类型，并且只能用于0°锯角。使用防毛边压板锯切时，不得向后移动底板(7)以靠近边缘锯切。

将防毛边压板(15)从下方压入底板(7)。

吸锯尘/吸锯屑

含铅的颜料以及某些木材、矿物和金属的加工废尘有害健康。机器操作者或者工地附近的人如果接触、吸入这些废尘，可能会有过敏反应或者感染呼吸道疾病。

某些尘埃（例如加工橡木或山毛榉的废尘）可能致癌，特别是和处理木材的添加剂（例如木材的防腐剂等）结合之后。只有经过专业训练的人才能够加工含石棉的物料。

- 尽可能使用适合物料的吸尘装置。
- 工作场所要保持空气流通。
- 最好佩戴P2滤网等级的口罩。

请留心并遵守贵国和加工物料有关的法规。

- ▶ 避免让工作场所堆积过多的尘垢。尘埃容易被点燃。

盖罩

将电动工具连接到集尘装置上前，请装好盖罩(12)。

将盖罩(12)放到电动工具上，让支架卡入壳体的开口。

执行不需要集尘的操作或斜切时，请拆下盖罩(12)。为此将盖罩在外支架的高度上按到一起，然后向前拔出。

安装集尘装置

将集尘软管(5)（附件）插到抽吸套管(6)上。将集尘软管(5)与吸尘器（附件）连接。

在本使用说明书的末尾可以找到各种集尘器的连接概览。

为确保最佳集尘效果，如果可以的话，请安装防毛边压板(15)。

根据工件的物料选择合适的吸尘装置。

吸集可能危害健康、可能导致癌症或干燥的废尘时，务必使用特殊的吸尘装置。

操作

运行模式

- ▶ 在电动工具上进行所有操作之前都必须从插座上拔出电源插头。

调整斜切角度（见图片 D）

斜切角度在45°以下时，可将底板(7)向右或向左摆动。

进行斜切时，不得使用防毛边压板(15)。

- 取下防毛边压板(15)。
- 松开螺栓(16)，将底板(7)朝电源线方向轻轻推动。
- 为精确调整斜切角度，请在0°和45°时从左右侧卡住底板。根据刻度(17)，将底板(7)摆动到所需的位置。此外也可以使用量角规设定其它的角度。
- 然后沿锯片(10)方向推动底板(7)，直至极限位置。
- 重新拧紧螺栓(16)。

移动底板（参见插图 E）

可向后移动底板(7)，以便贴着边缘锯切。

用内六角扳手(4)将螺栓(16)完全旋出。将螺栓同条状型材(18)一起取下。

抬起底板(7)。将底板朝电源线方向移动，直至用于紧靠边缘锯割的螺孔(22)位于电动工具壳体内部的螺紋孔上方。定位凸轮(19)必须同时卡入底板的开口(20)中。将螺栓(16)及条状型材(18)装入螺紋孔，然后拧紧螺栓。

仅可在斜切角度为0°时利用移动后的底板(7)锯切。此外，不得使用带开圆器的平行限制器(25)（附件）及防毛边压板(15)。

投入使用

- ▶ 注意电源电压！电源的电压必须和电动工具铭牌上标示的电压一致。标记为230伏电动工具用220伏的电压可以驱动。

接通/关闭

- ▶ 请确保握住手柄时可以开启/关闭开关。

要接通电动工具，按压起停开关(2)。

要锁定起停开关 (2)，按住起停开关并另外按压止动件 (3)。

要关闭电动工具，松开起停开关 (2)。起停开关 (2) 锁住时，请先按压，然后再松开。

预选冲击次数

利用冲击次数预选调节轮 (1) 也可以在运行过程中预选所需的冲击次数。

正确的冲击次数必须视工件物料和工作状况而定。唯有实际操作才能找出最合适的冲击次数。

起锯时，或者锯割塑料、铝片时最好降低冲击次数。

利用可调节6档的冲击次数可以根据加工物料适度配合锯割速度、锯割功率并产生最好的锯割效果。

档位	冲击次数大约 (转/分钟)	应用/材料
1	800	金属
2	1300	金属，狭小的弯角锯切
3	1800	狭小的弯角锯切
4	2200	弯角锯切
5	2600	弯角锯切
6	3000	标准锯切，快速锯切

以小的冲击次数长期工作之后，电动工具会变得很热。拆下锯片，让电动工具以最高冲击次数运作3分钟以加速冷却。

工作提示

- ▶ 在电动工具上进行所有操作之前都必须从插座上拔出电源插头。
- ▶ 当锯片被夹住时，请立即关闭电动工具。
- ▶ 锯割小的或薄的工件时必须使用牢固的垫架或者使用锯台 (附件)。

曲线锯主要设计用于曲线切割。在Bosch的产品组合中另外还提供可用于直线或圆形切割的附件 (视曲线锯型号而定，例如平行限制器、导轨或开圆器)。

手持式曲线锯原则上倾向于所谓的“移动”，即可能无法保证角度和切割精确性。影响精确性的决定因素是锯片厚度、切割长度以及工件的材料密度和厚度。

因此请务必通过试切割检查所选系统的切割结果是否符合您的应用要求。

锯切木材、刨花板、建筑材料等材料前应检查是否有异物，比如钉子、螺栓等类似物质，如果有的话，请清除。

潜锯 (见图片 F)

- ▶ 在切入式锯切工艺中，仅允许加工软材料，比如木材、石膏板等类似材料!

潜锯时只能使用短的锯片。仅可在斜切角度为0°时进行潜锯。

将电动工具底板 (7) 的前边缘放到工件上，锯片 (10) 不要触碰到工件，然后接通。如果电动工具有冲击次数设定功能的话，必须选择最高冲击次数。用力地把电动工具压向工件，并让锯刀慢慢地潜入工件中。

底板 (7) 齐平地贴着工件后，就可沿着所需的切线继续切割。

带开圆器的平行限制器 (附件)

使用带开圆器的平行限制器 (25) (附件) 进行加工时，工件厚度不得超过30 mm。

直线切割 (见图片 G)：松开固定螺丝 (24)，将平行限制器的刻度推过底板的导引 (23)。根据刻度尺调整好需要的锯割宽度。拧紧固定螺丝 (24)。

开圆 (见图片 H)：在待切割圆内的切线上钻一个足以插入锯刀的孔。用铣刀或锉刀处理一下孔，以便锯刀可以与切线齐平。

将固定螺丝 (24) 放到平行限制器的另一侧。通过底板的导引 (23) 推动平行限制器的刻度。在工件待锯切开口的中央位置钻一个孔。将定心尖 (26) 插入平行限制器的内孔和钻好的孔中。根据底板内缘调整半径的刻度值。拧紧固定螺丝 (24)。

冷却剂/润滑剂

锯割金属时由于物料会变热，必须沿着锯割线涂抹冷却剂或润滑剂。

维修和服务

维修和清洁

- ▶ 在电动工具上进行所有操作之前都必须从插座上拔出电源插头。
- ▶ 电动工具和通气孔必须随时保持清洁，以确保工作效率和工作安全。

如果必须更换连接线，务必把这项工作交给Bosch或者经授权的Bosch电动工具顾客服务执行，以避免危害机器的安全性能。

定期清洁锯片接头。此时必须先电动工具中拆下锯片，然后在平坦的表面上轻敲电动工具，以便抖落污垢。

电动工具如果沾满污垢，可能会影响机器的功能。因此，请勿从下方或在头顶上切割会产生大量粉尘的材料。

- ▶ 在某些极端使用环境下，如果可能的话一定要使用吸尘器。经常吹除通气孔中的污垢，并且要使用故障电流保护开关 (PRCD)。加工金属时可能在电动工具的内部堆积会导电的粉尘。这样可能会影响电动工具的安全绝缘性能。

如果出尘口堵塞，请关闭电动工具，取下集尘设备，清除灰尘和碎屑。

适时地用一滴油润滑导引轮 (9)。

定期检查导引轮 (9)。如果已磨损，必须让经过授权的Bosch客户服务中心更换。

客户服务和应用咨询

本公司顾客服务处负责回答有关本公司产品的修理、维护和备件的问题。备件的展开图纸和信息也可查看：www.bosch-pt.com

博世应用咨询团队乐于就我们的产品及其附件问题提供帮助。

询问和订购备件时，务必提供机器铭牌上标示的10位数物品代码。

中国大陆

博世电动工具（中国）有限公司
 中国 浙江省 杭州市
 滨江区 滨康路567号
 102/1F 服务中心
 邮政编码：310052
 电话：(0571)8887 5566 / 5588
 传真：(0571)8887 6688 x 5566# / 5588#
 电邮：bsc.hz@cn.bosch.com
 www.bosch-pt.com.cn

制造商地址：

Robert Bosch Power Tools GmbH
 罗伯特·博世电动工具有限公司

70538 Stuttgart / GERMANY
 70538 斯图加特 / 德国

其他服务地址请见：

www.bosch-pt.com/serviceaddresses

处理废弃物

必须以符合环保要求的方式回收再利用电动工具、附件和包装材料。



不可以把电动工具丢入家庭垃圾中！

产品中有害物质的名称及含量

部件名称	有害物质					
	铅 (Pb)	汞 (Hg)	镉 (Cd)	六价铬 (Cr ⁺⁶)	多溴联苯 (PBB)	多溴二苯醚 (PBDE)
外壳的金属部分	○	○	○	○	○	○
外壳的非金属部分	○	○	○	○	○	○
机械传动机构	○	○	○	○	○	○
电机组件	○	○	○	○	○	○
控制组件	X	○	○	○	○	○
附件	○	○	○	○	○	○
配件	○	○	○	○	○	○
电源线①	○	○	○	○	○	○

本表格依据SJ/T11364 的规定编制。

○：表示该有害物质在该部件所有均质材料中的含量均在GB/T 26572 规定的限量要求以下。

X：表示该有害物质至少在该部件的某一均质材料中的含量超出GB/T 26572 规定的限量要求。

且目前业界没有成熟的替代方案，符合欧盟RoHS 指令环保要求。

① 适用于采用电源线连接供电的产品。

产品环保使用期限内的使用条件参见产品说明书。

繁體中文**安全注意事項****電動工具一般安全注意事項****警告**

請詳讀工作臺及電動工具的所有安全警告與使用說明。若不

遵照以下列出的指示，將可能導致電擊、著火和/或人員重傷。

保存所有警告和說明書以備查閱。

在所有警告中，「電動工具」此一名詞泛指：以市電驅動的（有線）電動工具或是以電池驅動的（無線）電動工具。

工作場地的安全

- ▶ 保持工作場地清潔和明亮。混亂和黑暗的場地會引發事故。
- ▶ 不要在易爆環境，如有易燃液體、氣體或粉塵的環境下操作電動工具。電動工具產生的火花會點燃粉塵或氣體。
- ▶ 讓兒童和旁觀者離開後操作電動工具。注意力不集中會使您失去對工具的控制。

電氣安全

- ▶ 電動工具插頭必須與插座相配。絕不能以任何方式改裝插頭。需接地的電動工具不能使用任何轉換插頭。未經改裝的插頭和相配的插座將減少電擊危險。
- ▶ 避免人體接觸接地表面，如管道、散熱片和冰箱。如果您身體接地會增加電擊危險。

- ▶ **不得將電動工具暴露在雨中或潮濕環境中。**水進入電動工具將增加電擊危險。
- ▶ **不得濫用電線。**絕不能用電線搬運、拉動電動工具或拔出其插頭。使電線遠離熱源、油、銳利邊緣或移動零件。受損或纏繞的軟線會增加電擊危險。
- ▶ **當在戶外使用電動工具時，使用適合戶外使用的延長線。**適合戶外使用的軟線，將減少電擊危險。
- ▶ **如果在潮濕環境下操作電動工具是不可避免的，應使用剩餘電流動作保護器 (RCD)。**使用RCD可降低電擊危險。

人身安全

- ▶ **保持警覺，當操作電動工具時關注所從事的操作並保持清醒。**當您感到疲倦，或在有藥物、酒精或治療反應時，不要操作電動工具。在操作電動工具時瞬間的疏忽會導致嚴重人身傷害。
- ▶ **使用個人防護裝置。**始終佩戴護目鏡。安全裝置，諸如適當條件下使用防塵面具、防滑安全鞋、安全帽、聽力防護等裝置能減少人身傷害。
- ▶ **防止意外起動。**確保開關在連接電源和/或電池盒、拿起或搬運工具時處於關閉位置。手指放在已接通電源的開關上或開關處於接通時插入插頭可能會導致危險。
- ▶ **在電動工具接通之前，拿掉所有調節鑰匙或扳手。**遺留在電動工具旋轉零件上的扳手或鑰匙會導致人身傷害。
- ▶ **手不要伸展得太長。**時刻注意立足點和身體平衡。這樣在意外情況下能很好地控制電動工具。
- ▶ **著裝適當。**不要穿寬鬆衣服或佩戴飾品。讓您的衣物及頭髮遠離運動部件。寬鬆衣服、佩飾或長髮可能會捲入運動部件中。
- ▶ **如果提供了與排屑、集塵設備連接用的裝置，要確保他們連接完好且使用得當。**使用這些裝置可減少塵屑引起的危險。
- ▶ **切勿因經常使用工具所累積的熟練感而過度自信，輕忽工具的安全守則。**任何一個魯莽的舉動都可能瞬間造成人員重傷。

電動工具使用和注意事項

- ▶ **不要濫用電動工具，根據用途使用適當的電動工具。**選用適當設計的電動工具會使您工作更有效、更安全。
- ▶ **如果開關不能開啟或關閉工具電源，則不能使用該電動工具。**不能用開關來控制的電動工具是危險的且必須進行修理。
- ▶ **在進行任何調整、更換配件或貯存電動工具之前，必須從電源上拔掉插頭並/或取出電池盒。**這種防護性措施將減少工具意外起動的危險。
- ▶ **將閒置不用的電動工具貯存在兒童所及範圍之外，並且不要讓不熟悉電動工具或對這些說明不瞭解的人操作電動工具。**電動工具在未經培訓的用戶手中是危險的。
- ▶ **保養電動工具與配備。**檢查運動件是否調整到位或卡住，檢查零件破損情況和影響電動工具運行的其他狀況。如有損壞，電動工具應在使用前修理好。許多事故由維護不良的電動工具引發。

- ▶ **保持切削刀具鋒利和清潔。**保養良好的有鋒利切削刀的刀具不易卡住而且容易控制。
- ▶ **按照使用說明書，考慮作業條件和進行的作業來使用電動工具、配件和工具的刀頭等。**將電動工具用於那些與其用途不符的操作可能會導致危險。
- ▶ **把手及握持區應保持乾燥、潔淨，且不得沾染任何油液或油脂。**易滑脫的把手及握持區將無法讓您在發生意外狀況時安全地抓緊並控制工具。

檢修

- ▶ **將您的電動工具送交專業維修人員，必須使用同樣的備件進行更換。**這樣將確保所維修的電動工具的安全性。

線鋸機安全注意事項

- ▶ **進行作業時，負責進行切割的配件可能會碰觸到隱藏的配線或電動工具的電線，請從絕緣握把處拿持電動工具。**負責進行切割的配件若是觸及「導電」電線，可能導致電動工具外露的金屬部件「導電」，進而使操作人員遭受電擊。
- ▶ **請用夾具或其他可行方式將工件穩固地架在可靠平台上。**用手握持工件或將它貼靠在您身上會因無法確實固定而導致失控。
- ▶ **雙手必須遠離鋸割範圍，手不可以握在工件下端。**如果不小心碰觸了鋸片可能被割傷。
- ▶ **先啟動電動工具後再把工具放置在工件上切割。**如果電動工具被夾在工件中，會有反彈的危險。
- ▶ **請注意：進行鋸切時，請將底座穩固地貼靠在平面上。**鋸片如果歪斜，則可能斷裂或造成反彈。
- ▶ **工作告一段落時，必須先關閉電動工具並等待機器完全靜止後，才可以從鋸縫中抽出鋸刀。**如此不但可以防止反彈，而且可以防止放置機器時發生危險。
- ▶ **必須等待電動工具完全靜止後才能將它放下。**嵌件工具可能卡住而使電動工具失控。
- ▶ **只能使用未受損、功能正常的鋸片。**彎曲或變鈍的鋸片可能斷裂，對鋸痕造成負面影響或導致反彈。
- ▶ **關機後不可以側壓刀片來制止仍然繼續轉動的刀片。**鋸刀可能因此受損、斷裂或者造成反彈。
- ▶ **電動工具僅可與底座搭配使用。**作業時若無底座，可能導致電動工具無法控制的危險。
- ▶ **使用合適的偵測裝置偵察隱藏的電線，或者向當地的相關單位尋求支援。**接觸電線可能引起火災並讓操作者觸電。若損壞瓦斯管會引起爆炸。鑿穿水管不僅會造成嚴重的財物損失，也可能導致觸電。

產品和功率描述



請詳讀所有安全注意事項和指示。如未遵守安全注意事項與指示，可能導致火災、人員遭受電擊及/或重傷。
請留意操作說明書中最前面的圖示。

依規定使用機器

本機器可以在穩固的底墊上，進行切割、挖割。適用的材料包括木材、塑膠、金屬、陶片、橡膠和層壓板 / 高壓層壓板 (HPL, High Pressure Laminate) 等。本電動工具適用於裁鋸斜鋸角 45° 以內的直線和曲線。請使用本公司推薦的鋸片。

插圖上的機件

機件的編號和電動工具詳解圖上的編號一致。

- (1) 衝擊次數設定轉鈕
- (2) 起停開關
- (3) 起停開關鎖扣
- (4) 內六角扳手 (5 mm)
- (5) 吸塵管
- (6) 吸塵接管
- (7) 底座
- (8) 鋸片固定件的螺栓
- (9) 導引輪
- (10) 鋸片
- (11) 防割傷裝置
- (12) 吸塵保護遮罩
- (13) 鋸片座
- (14) 把手 (絕緣握柄)
- (15) 防毛邊壓板^{a)}
- (16) 底座螺栓
- (17) 斜鋸角刻度尺
- (18) 底座固定件的側邊條
- (19) 定位凸輪
- (20) 定位凸輪的開口
- (21) 底座固定件的標準螺栓孔
- (22) 邊緣鋸切的螺栓孔
- (23) 平行擋塊的導軌
- (24) 平行擋塊的止付螺絲^{a)}
- (25) 附帶割圓輔助器的平行擋塊^{a)}
- (26) 割圓輔助器的圓心尖端^{a)}

a) 圖文中提到的配件，並不包含在基本的供貨範圍中。本公司的配件清單中有完整的配件供應項目。

技術性數據

曲線鋸	GST 680	
產品機號		3 601 EB4 0..
額定輸入功率	W	500
無負載轉速 n_0	min^{-1}	800-3100
衝程	mm	20
最大鋸切深度		
- 在木材上	mm	68
- 在鋁材上	mm	10
- 在鋼材上 (非合金)	mm	3

曲線鋸	GST 680	
最大鋸角 (左/右)	°	45
重量符合 EPTA-Procedure 01:2014	kg	2.0
絕緣等級		□/II

本說明書提供的參數是以 230 伏特為依據，於低電壓地區，此數據有可能不同。

安裝

► 維修電動工具或換裝零、配件之前，務必從插座上拔出插頭。

安裝/更換鋸片

► 安裝或更換嵌件工具時務必穿戴防護手套。嵌件工具極為銳利，而且長時間使用後可能發燙。

選擇鋸片

本手冊最後面另外刊錄了鋸片一覽表。僅可使用帶有單凸輪柄 (T 形柄) 或 1/4" 通用柄 (U 形柄) 的鋸片。鋸片長度不得超過預定鋸線。

在狹小的彎角上鋸切時應要使用窄型鋸片。

安裝鋸片 (請參考圖 A)

► 請於裝入前清潔鋸片柄部。柄部若髒污即無法牢固固定。

用隨附的內六角扳手 (4) 鬆開鋸片固定件的螺栓 (8)。

使鋸片 (10) 的鋸齒朝鋸切方向，然後將它推入，直至卡進鋸片座 (13) ① 內。

安裝鋸片時請注意：鋸片刀背要架在導引輪 (9) 的溝槽中。

用內六角扳手 (4) 旋緊螺栓 (8) ②。

► 檢查鋸片是否已經裝牢。鬆動的鋸刀可能掉落並造成您受傷。

卸下鋸片 (請參考圖 B)

鬆開鋸片固定件 ① 的螺栓 (8)，然後取下鋸片 (10) ②。

防毛邊壓板 (配件請參考圖 C)

防毛邊壓板 (15) (配件) 可在鋸切木材時防止工件表面被扯裂。防毛邊壓板僅適用於特定種類的鋸片，且鋸角必須為 0°。使用防毛邊壓板進行鋸切時，不得將底座 (7) 往後移動在接近邊緣處進行鋸切。

從下方將防毛邊壓板 (15) 壓進底座 (7) 內。

吸除廢塵/料屑

含鉛顏料、部分木材種類、礦石和金屬的加工廢塵有害健康。機器操作者或施工現場附近的人員如果接觸、吸入這些廢塵，可能會引發過敏反應或感染呼吸道疾病。

某些塵埃 (例如加工橡木或山毛櫸的廢塵) 可能致癌，特別是與處理木材的添加劑 (例如木材的防腐劑等) 結合之後。唯有受過專業訓練的人才能夠進行含石棉物料的加工。

- 儘可能使用適合物料的吸塵裝置。

- 工作場所要保持空氣流通。
 - 建議佩戴 P2 過濾等級的口罩。
- 請留意並遵守貴國的物料加工相關法規。

▶ **避免讓工作場所堆積過多的塵垢。**塵埃容易被點燃。

保護遮罩

為本電動工具連接吸塵裝置之前，請先安裝保護遮罩 (12)。

將保護遮罩 (12) 套在電動工具上，使固定座卡入至機殼的卡槽。

進行不需吸塵之作業或是進行斜鋸時，請取下保護遮罩 (12)。將遮罩壓至外部支架的高度，然後將之往前拉。

連接吸塵裝備

將吸塵管 (5) (配件) 插到吸塵接管 (6) 上。將吸塵管 (5) 與吸塵器連接起來 (配件)。

本手冊於結尾處另外刊錄了連接不同類型吸塵器的操作概覽。

為確保獲取最佳吸塵效果，如有可能請儘量裝上防毛邊壓板 (15)。

根據工件材質選擇合適的吸塵器。

吸集可能危害健康、可能致癌或乾燥的廢塵時，務必使用特殊吸塵器。

操作

操作模式

▶ **維修電動工具或換裝零、配件之前，務必從插座上拔出插頭。**

調整斜鋸角 (請參考圖 D)

底座 (7) 可往右或往左翻旋至最大 45°，以進行斜鋸。

進行斜鋸時，不可使用防毛邊壓板 (15)。

- 取下防毛邊壓板 (15)。
- 鬆開螺栓 (16)，將底座 (7) 往電源線方向輕推。
- 底座左右兩側設有 0° 和 45° 的卡止點，可讓您精準設定斜鋸角。請依照刻度 (17) 將底座 (7) 移擺至所需位置。此外也可以使用量角規設成其它角度。
- 接著再將底座 (7) 往鋸片 (10) 方向推到底。
- 將螺栓 (16) 重新旋緊。

移動底座 (請參考圖 E)

在接近邊緣處進行鋸切時，可將底座 (7) 往後移動。

用內六角扳手 (4) 完全旋出螺栓 (16)。將螺絲連同側邊條 (18) 一起卸下。

抬起底座 (7)。沿電源線方向移動底座，使邊緣鋸切 (22) 的螺栓孔位於電動工具機殼的螺紋孔上方。定位凸輪 (19) 必須同時卡入底座開口 (20)。將帶有側邊條 (18) 的螺栓 (16) 裝入螺栓孔，然後旋緊螺栓。

底座 (7) 移位後，僅能以 0° 斜鋸角進行鋸切。此外，也不得使用附帶割圓輔助器的平行擋塊 (25) (配件) 以及防毛邊壓板 (15)。

操作機器

▶ **請注意電源電壓！** 電源的電壓必須和電動工具銘牌上標示的電壓一致。標示為 230 V 的電動工具亦可接上 220 V 電源。

啟動/關閉電源

▶ **請確定您不用放開把手，就能操作起停開關。**

若要啟動電動工具：按下起停開關 (2)。

若要固定起停開關 (2) 的位置，請將它按住不放並同時按壓鎖扣 (3)。

若要關閉電動工具，放開起停開關 (2) 即可。起停開關 (2) 的位置若是已被鎖定，請按一下該開關然後放開。

設定衝擊次數

利用衝擊次數設定轉鈕 (1)，即可按照需求預設衝擊次數並於工具運作期間變更。

正確的衝擊次數必須視工件物料和工作狀況而定。唯有實際操作才能找出最合適的衝擊次數。

將鋸片放到工件上時以及鋸切塑膠、鋁片時，建議您降低衝擊次數。

六段可調式衝擊次數可配合加工材質將此裝置調整至最理想的鋸切速度、鋸切效率以及鋸切剖面。

等級	衝擊次數約 (min ⁻¹)	用途/材料
1	800	金屬
2	1300	金屬，緊密的曲線鋸切
3	1800	緊密的曲線鋸切
4	2200	曲線鋸切
5	2600	曲線鋸切
6	3000	標準鋸切、快速鋸切

以較少的衝擊次數長時間加工後，電動工具會變得很熱。拆下鋸片，讓電動工具以最高衝擊次數運作 3 分鐘以加速冷卻。

作業注意事項

▶ **維修電動工具或換裝零、配件之前，務必從插座上拔出插頭。**

▶ **如果鋸片被夾住了，請立刻關閉電動工具的電源。**

▶ **鋸切小的或薄的工件時必須使用牢固的墊架或者使用鋸臺 (配件)。**

線鋸機主要是為曲線切割而設計。在 Bosch 系列中也提供可以進行直線或圓形切割的配件 (視線鋸機型號而定，例如平行擋塊、導軌或割圓輔助器)。

手推式線鋸機往往容易發生所謂「跑偏」的情況，也就是角度和切割精度可能不精確。精準度與否的決定性因素在於鋸片強度、切割長度以及工件材質的密度與強度。

因此請務必透過試鋸確認所選系統的切割結果是否符合您的使用需求。

在鋸進木材、塑合板、建材等物的內部前，請先確認有無異物（例如鐵釘、螺絲等），如有必要請將它移除。

潛鋸（請參考圖 F）

▶ 僅加工木材、石膏板等這類的軟性材料時可進行穿刺切割！

潛鋸時只能使用短型鋸片。僅能以 0° 斜鋸角進行潛鋸。

將電動工具的底座 (7) 前緣放到工件上，但不要讓鋸片 (10) 接觸到工件，然後啟動機器。如果電動工具備衝擊次數調控功能的話，必須選擇最高衝擊次數。用力地把電動工具壓向工件，並讓鋸片慢慢地潛入工件中。

待底座 (7) 完全貼靠在工件上的時候，便立刻沿著預計完工的鋸割線繼續鋸切。

附帶割圓輔助器的平行擋塊（配件）

使用具有割圓輔助器的平行擋塊 (25)（配件）時，工件厚度不可超過 30 mm。

平行鋸切（請參考圖 G）：鬆開止付螺絲 (24)，然後沿著底座上的導軌 (23) 移動平行擋塊的刻度尺。根據刻度調整好所需鋸切寬度。旋緊止付螺絲 (24)。

割圓（請參考圖 H）：沿著待鋸圓形內側的鋸割線上鑽孔，此孔的寬度應要足以讓鋸片穿過。用銼刀或銼刀加工鑽孔，使鋸片能夠對齊鋸割線。在平行擋塊的另一側上裝上止付螺絲 (24)。沿著底座上的導軌 (23) 移動平行擋塊的刻度尺。在挖鋸範圍的中央位置鑽孔。將圓心尖端 (26) 穿過平行擋塊的內側開口後，插進之前鑽出的鑽孔。根據底座內緣上的刻度調整好挖鋸範圍的半徑。旋緊止付螺絲 (24)。

冷卻劑／潤滑劑

鋸切金屬時由於物料會變熱，必須在鋸割線上塗抹冷卻劑或潤滑劑。

維修和服務

維修和清潔

▶ 維修電動工具或換裝零、配件之前，務必從插座上拔出插頭。

▶ 電動工具和通風口都必須保持清潔，這樣才能夠提高工作品質和安全性。

如果必須更換連接線，請務必交由 **Bosch** 或者經授權的 **Bosch** 電動工具顧客服務執行，以避免危害機器的安全性能。

定期清潔鋸片接頭。此時必須先從電動工具中拆下鋸片，並且在平坦表面上輕敲電動工具，以便抖落塵垢。

電動工具如果沾滿污垢，可能會影響機器性能。請勿從下方或從高於頭部的位置鋸切會生成大量粉塵的材料。

▶ 在某些極端操作環境下，如果有可能請務必使用吸塵裝備。時常將通氣孔上累積的塵垢噴吹乾淨，並在前端加設漏電斷路器 (PRCD)。加工金屬時電動工具內部可能堆積會導電的廢塵。這樣可能會影響電動工具的安全絕緣性能。

如果出屑口堵塞，請關閉電動工具，取下吸塵裝置並清除粉塵和碎屑。

適時地用一滴油潤滑導引輪 (9)。

定期檢查導引輪 (9)。如果確定導引輪已經損壞，必須把機器交給經過授權的 **Bosch** 客戶服務中心更換導引輪。

顧客服務處和顧客諮詢中心

本公司顧客服務處負責回答有關本公司產品的維修、維護和備用零件的問題。以下的網頁中有分解圖和備用零件相關資料：www.bosch-pt.com 如果對本公司產品及其配件有任何疑问，博世應用諮詢小組很樂意為您提供協助。當您需要諮詢或訂購備用零件時，請務必提供本產品型號銘牌上 10 位數的產品機號。

台灣

台灣羅伯特博世股份有限公司
建國北路一段90號6樓
台北市10491
電話: (02) 7734 2588
傳真: (02) 2516 1176
www.bosch-pt.com.tw

製造商地址:

Robert Bosch Power Tools GmbH
羅伯特·博世電動工具有限公司
70538 Stuttgart / GERMANY
70538 斯圖加特/ 德國

以下更多客戶服務處地址：

www.bosch-pt.com/serviceaddresses

廢棄物處理

必須以符合環保的方式，回收再利用損壞的機器、配件和廢棄的包裝材料。

不可以把電動工具丟入家庭垃圾中。



設備名稱：曲線鋸，型號（型式）：GST 680

限用物質及其化學符號

單元	鉛 (Pb)	汞 (Hg)	鎘 (Cd)	六價鉻 (Cr ⁺⁶)	多溴聯苯 (PBB)	多溴二苯醚 (PBDE)
電源開關	○	○	○	○	○	○

設備名稱：曲線鋸，型號（型式）：GST 680

限用物質及其化學符號

單元	鉛 (Pb)	汞 (Hg)	鎘 (Cd)	六價鉻 (Cr ⁺⁶)	多溴聯苯 (PBB)	多溴二苯醚 (PBDE)
馬達	○	○	○	○	○	○
電源線	○	○	○	○	○	○
外殼(塑料)	○	○	○	○	○	○
電路板	-	○	○	○	○	○

備考 1. "超出 0.1 wt %" 及 "超出 0.01 wt %" 係指限用物質之百分比含量超出百分比含量基準值。

備考 2. "○" 係指該項限用物質之百分比含量未超出百分比含量基準值。

備考 3. "-" 係指該項限用物質為排除項目。

ไทย

คำเตือนเพื่อความปลอดภัย

คำเตือนเพื่อความปลอดภัยทั่วไปสำหรับเครื่องมือไฟฟ้า

คำเตือน อ่านคำเตือนเพื่อความปลอดภัย คำแนะนำ ภาพประกอบ และข้อมูลจำเพาะทั้งหมดที่จัดส่งมาพร้อมกับเครื่องมือไฟฟ้า การไม่ปฏิบัติตามคำแนะนำทั้งหมดที่ระบุไว้ด้านล่างนี้อาจทำให้ถูกไฟดูด เกิดไฟไหม้ และ/หรือได้รับบาดเจ็บอย่างร้ายแรง

เก็บรักษาคำเตือนและคำสั่งทั้งหมดสำหรับเปิดอ่านในภายหลัง

คำว่า "เครื่องมือไฟฟ้า" ในคำเตือนหมายถึง เครื่องมือไฟฟ้าทำงานที่ทำงานด้วยพลังงานไฟฟ้าจากแหล่งจ่ายไฟหลัก (มีสายไฟฟ้า) และเครื่องมือไฟฟ้าที่ทำงานด้วยพลังงานไฟฟ้าจากแบตเตอรี่ (ไร้สาย)

ความปลอดภัยในสถานที่ทำงาน

- ▶ รักษาสถานที่ทำงานให้สะอาดและมีไฟส่องสว่างดี สถานที่ที่มีมืดหรือรกรุงรังนำมาซึ่งอุบัติเหตุ
- ▶ อย่าใช้เครื่องมือไฟฟ้าทำงานในสภาพบรรยากาศที่จุดติดไฟได้ เช่น ในที่มีมีของเหลวไวไฟ ก๊าซ หรือฝุ่น เมื่อใช้เครื่องมือไฟฟ้าจะเกิดประกายไฟซึ่งอาจจุดฝุ่นหรือไอให้ลุกเป็นไฟได้
- ▶ ขณะใช้เครื่องมือไฟฟ้าทำงาน ต้องกั้นเด็กและผู้ยืนดูให้ออกห่าง การหันเหความสนใจอาจทำให้ท่านขาดการควบคุมเครื่องได้

ความปลอดภัยเกี่ยวกับไฟฟ้า

- ▶ ปลั๊กของเครื่องมือไฟฟ้าต้องเหมาะสมพอดีกับเต้าเสียบ อย่าตัดแปลงปลั๊กไม่ว่าในลักษณะใดๆ อย่างเด็ดขาด อย่าใช้ปลั๊กหวนต่อใดๆ กับเครื่องมือไฟฟ้าที่มีสายดิน

ปลั๊กที่ไม่ตัดแปลงและเต้าเสียบที่เข้ากันช่วยลดความเสี่ยงจากการถูกไฟฟ้ดูด

- ▶ หลีกเลี่ยงอย่าให้ร่างกายสัมผัสกับพื้นผิวที่ต่อสายดินหรือลงกราวด์ไว้ เช่น ท่อ เครื่องทำความร้อน เตา และตู้เย็น จะเสี่ยงอันตรายจากการถูกไฟฟ้ดูดมากขึ้นหากกระแสไฟฟ้าวิ่งผ่านร่างกายของท่านลงดิน
- ▶ อย่าให้เครื่องมือไฟฟ้าถูกฝุ่นหรืออยู่ในสภาพเปียกชื้น หากนำเข้าไปในเครื่องมือไฟฟ้า จะเพิ่มความเสี่ยงจากการถูกไฟฟ้ดูด
- ▶ อย่าใช้สายไฟฟ้าในทางที่ผิด อย่าใช้สายไฟฟ้าเพื่อยก ดึง หรือถอดปลั๊กเครื่องมือไฟฟ้า กั้นสายไฟฟ้าออกจากความร้อน น้ำมัน ขอบแหลมคม หรือชิ้นส่วนที่เคลื่อนที่ สายไฟฟ้าที่ชำรุดหรือพันกันยุ่งเพิ่มความเสี่ยงจากการถูกไฟฟ้ดูด
- ▶ เมื่อใช้เครื่องมือไฟฟ้าทำงานกลางแจ้ง ให้ใช้สายไฟต่อที่เหมาะสมสำหรับงานกลางแจ้ง การใช้สายไฟต่อที่เหมาะสมสำหรับงานกลางแจ้ง ช่วยลดอันตรายจากการถูกไฟฟ้ดูด
- ▶ หากไม่สามารถหลีกเลี่ยงการใช้เครื่องมือไฟฟ้าทำงานในสถานที่เปียกชื้นได้ ให้ใช้สวิตซ์ตัดวงจรเมื่อเกิดการรั่วไหลของไฟฟ้าจากสายดิน (RCD) การใช้สวิตซ์ตัดวงจรเมื่อเกิดการรั่วไหลของไฟฟ้าจากสายดินช่วยลดความเสี่ยงต่อการถูกไฟฟ้ดูด

ความปลอดภัยของบุคคล

- ▶ ท่านต้องอยู่ในสภาพเตรียมพร้อม ระมัดระวังในสิ่งที่ท่านกำลังทำอยู่ และมีสติขณะใช้เครื่องมือไฟฟ้าทำงาน อย่าใช้เครื่องมือไฟฟ้าขณะที่ท่านกำลังเหนื่อยหรืออยู่ภายใต้การครอบงำของฤทธิ์ของยาเสพติด แอลกอฮอล์ และยา เมื่อใช้เครื่องมือไฟฟ้าทำงานในชั่วขณะที่ท่านขาดความเอาใจใส่อาจทำให้บุคคลบาดเจ็บอย่างรุนแรงได้
- ▶ ใช้อุปกรณ์ปกป้องร่างกาย สวมแว่นตานิ้องกันเสมอ อุปกรณ์ปกป้อง เช่น หนากากกันฝุ่น รองเทากันลื่น หมวกแข็ง หรือประภททุกชิ้นเสียดังที่ไซตามความเหมาะสมกับสภาพการทำงาน จะลดการบาดเจ็บทางร่างกาย

- ▶ **ป้องกันการใช้เครื่องมือโดยไม่ตั้งใจ** ตรวจสอบให้แน่ใจว่าสวิตช์อยู่ในตำแหน่งปิดก่อนเชื่อมต่อเข้ากับแหล่งจ่ายไฟ และ/หรือแบตเตอรี่แพ็ค ยกหรือถือเครื่องมือ การถือเครื่องมือโดยใช้นิ้วที่สวิตช์ หรือเสียบปลั๊กไฟฟ้ายกขณะสวิตช์เปิดอยู่ อาจนำไปสู่อุบัติเหตุที่ร้ายแรงได้
- ▶ **นำเครื่องมือปรับแต่งหรือปรับแปกดาออกก่อนเปิดสวิตช์เครื่องมือไฟฟ้า** เครื่องมือหรือประแจปากตายที่วางอยู่กับส่วนของเครื่องมือที่กำลังหมุนจะทำให้บุคคลบาดเจ็บได้
- ▶ **อย่าเื่อมมือไป** ตั้งทำยี่ห้อที่มั่นคงและวางน้ำหนักให้สมดุลตลอดเวลา ในลักษณะนี้ท่านสามารถควบคุมเครื่องมือไฟฟ้าในสถานการณ์ที่ไม่คาดคิดได้ดีกว่า
- ▶ **แต่งกายอย่างเหมาะสม** อย่าใส่เสื้อผ้าหลวมหรือสวมเครื่องประดับ เหน็บและเสื้อผ้าออกจากชิ้นส่วนที่เคลื่อนที่ เสื้อผ้าหลวม เครื่องประดับ และผมยาวอาจเข้าไปติดในชิ้นส่วนที่เคลื่อนที่
- ▶ **หากเครื่องมือไฟฟ้ามีข้อเชื่อมต่อกับเครื่องดูดฝุ่นหรือเครื่องเก็บผง** ให้ตรวจสอบให้แน่ใจว่าได้เชื่อมต่อและใช้งานอย่างถูกต้อง การไขอุปกรณ์ดูดฝุ่นช่วยลดอันตรายที่เกิดจากฝุ่นได้
- ▶ **เมื่อใช้งานเครื่องมืออยู่ครั้งจะเกิดความคุ้นเคย** อย่าให้ความคุ้นเคยทำให้ท่านเกิดความชะงักงันและละเลยกฎเกณฑ์ด้านความปลอดภัยในการใช้งานเครื่องมือทำงานอย่างไม่ระมัดระวังอาจทำให้เกิดการบาดเจ็บอย่างร้ายแรงภายในเสี้ยววินาที

การใช้และการดูแลรักษาเครื่องมือไฟฟ้า

- ▶ **อย่าฝืนกำลังเครื่องมือไฟฟ้า** ใช้เครื่องมือไฟฟ้าที่ถูกต้องตรงตามลักษณะงานของท่าน เครื่องมือไฟฟ้าที่ถูกดองจะทำงานได้ดีกว่าและปลอดภัยกว่าในระดับสมรรถภาพที่ออกแบบไว้
- ▶ **อย่าใช้เครื่องมือไฟฟ้าถ้าสวิตช์ไม่สามารถเปิดปิดได้** เครื่องมือไฟฟ้าที่ไม่สามารถควบคุมการเปิดปิดด้วยสวิตช์ได้ เป็นเครื่องมือไฟฟ้าที่ไม่ปลอดภัยและต้องส่งซ่อมแซม
- ▶ **ก่อนปรับแต่งเครื่อง เปลี่ยนอุปกรณ์ประกอบ หรือเก็บเครื่องเข็ท** ต้องถอดปลั๊กออกจากแหล่งจ่ายไฟ และ/หรือถอดแบตเตอรี่แพ็คออกจากเครื่องมือไฟฟ้าหากถอดออกได้ มาตรการป้องกันเพื่อความปลอดภัยซึ่งช่วยลดความเสี่ยงจากการติดเครื่องมือโดยไม่ตั้งใจ
- ▶ **เมื่อเลิกใช้งานเครื่องมือไฟฟ้า** ให้เก็บเครื่องมือในที่เด็กหยิบไม่ถึง และไม่อนุญาตให้บุคคลที่ไม่คุ้นเคยกับเครื่องมือไฟฟ้าเป็นของอันตรายหากตกอยู่ในมือของผู้ใช้ที่ไม่ได้รับการฝึกฝน
- ▶ **บำรุงรักษาเครื่องมือไฟฟ้าและอุปกรณ์ประกอบ** ตรวจสอบชิ้นส่วนที่เคลื่อนที่ว่าวางไม่ตรงแนวหรือติดขัดหรือไม่ ตรวจสอบการแตกหักของชิ้นส่วนและสภาพอื่นใดที่อาจมีผลต่อการทำงานของเครื่องมือไฟฟ้า หากชำรุดต้องส่งเครื่องมือไฟฟ้าไปซ่อมแซมก่อนใช้งาน อุบัติเหตุหลายอย่างเกิดขึ้นเนื่องจากดูแลรักษาเครื่องมือไม่ดีพอ

- ▶ **รักษาเครื่องมือตัดให้คมและสะอาด** หากบำรุงรักษาเครื่องมือที่มีขอบตัดแหลมคมอย่างถูกต้องจะสามารถตัดได้ลื่นไม่ติดขัดและควบคุมได้ง่ายกว่า
- ▶ **ใช้เครื่องมือไฟฟ้า อุปกรณ์ประกอบ เครื่องมือ และอุปกรณ์อื่นๆ** ตรงตามคำแนะนำเหล่านี้ โดยคำนึงถึงเงื่อนไขการทำงานและงานที่จะทำ การใช้เครื่องมือไฟฟ้าทำงานที่ต่างไปจากวัตถุประสงค์การใช้งานของเครื่อง อาจนำไปสู่สถานการณ์ที่เป็นอันตรายได้
- ▶ **ดูแลตามจับและพื้นผิวจับให้แห้ง สะอาด และปราศจากคราบน้ำมันและจาระบี** ตามจับและพื้นผิวจับที่ลื่นทำให้หยิบจับได้ไม่ปลอดภัย และไม่สามารถควบคุมเครื่องมือในสถานการณ์ที่ไม่คาดคิด

การบริการ

- ▶ **ส่งเครื่องมือไฟฟ้าของท่าน** เข้ารับบริการจากช่างซ่อมที่มีคุณสมบัติเหมาะสม โดยใช้อะไหล่ที่เหมือนกันเท่านั้น ในลักษณะนี้ท่านจะแน่ใจได้ว่าเครื่องมือไฟฟ้าอยู่ในสภาพที่ปลอดภัย

คำเตือนเพื่อความปลอดภัยสำหรับเสียงและสั่น

- ▶ **เมื่อทำงานในบริเวณที่อุปกรณ์ตัดอาจสัมผัสสายไฟฟ้าที่ซ่อนอยู่หรือสายไฟฟ้าของตัวเครื่องเอง** ต้องจับเครื่องมือไฟฟ้าตรงพื้นผิวจับที่หุ้มฉนวน หากอุปกรณ์ตัดสัมผัสสายที่ "มีกระแสไฟฟ้า" ไหลผ่าน จะทำให้ชิ้นส่วนโลหะที่ไม่ได้หุ้มฉนวนของเครื่องมือไฟฟ้าเกิด "มีกระแสไฟฟ้า" ด้วย และส่งผลให้ใช้งานเครื่องมือถูกไฟฟ้าดูดได้
- ▶ **ใช้เครื่องมือหนีบหรือวิธีอื่นที่ปลอดภัยเพื่อยึดและหมุนชิ้นงานกับแท่นที่มั่นคง** การจับชิ้นงานด้วยมือหรือยืนไว้กับร่างกายจะไม่มั่นคง และอาจทำให้สูญเสียการควบคุมได้
- ▶ **เอามือออกจากบริเวณแนวเลื่อย** อย่าเื่อมมือเข้าใต้ชิ้นงาน การสัมผัสกับใบเลื่อยจะทำให้บาดเจ็บได้
- ▶ **จับเครื่องมือไฟฟ้าเข้าชิ้นงานเมื่อเครื่องเปิดสวิตช์อยู่เท่านั้น** มิฉะนั้นอาจได้รับอันตรายจากการตีกลับหากเครื่องมือตัดติดขัดอยู่ในชิ้นงาน
- ▶ **ตรวจสอบให้แน่ใจว่าขณะเลื่อยได้วางแผ่นฐานไว้อย่างมั่นคง** ใบเลื่อยที่ติดขัดอาจแตกหัก หรือทำให้เกิดการตีกลับได้
- ▶ **เมื่อเสร็จสิ้นการทำงาน** ให้ปิดสวิตช์เครื่องมือไฟฟ้า และดึงใบเลื่อยออกจากร่องตัดเมื่อใบเลื่อยหยุดนิ่งอยู่กับที่แล้วเท่านั้น ในลักษณะนี้ท่านสามารถหลีกเลี่ยงการตีกลับ และวางเครื่องลงได้อย่างปลอดภัย
- ▶ **รอให้เครื่องมือไฟฟ้าหยุดสนิทก่อนวางเครื่องลงบนพื้น** เครื่องมือที่ปล่อยอาจติดขัดและทำให้สูญเสียการควบคุมเครื่องมือไฟฟ้า
- ▶ **ใช้เฉพาะใบเลื่อยที่ไม่ชำรุดและมีสภาพที่สมบูรณ์เท่านั้น** ใบเลื่อยที่ทื่อหรือบิดงอสามารถแตกหัก ส่งผลให้เกิดอุบัติเหตุการตีกลับ หรือทำให้เกิดการตีกลับได้
- ▶ **หลังปิดสวิตช์** อย่าเบรคใบเลื่อยให้หยุดเร็วโดยการกดลงด้านข้าง ใบเลื่อยอาจชำรุด แตกหัก หรือทำให้เกิดการตีกลับได้
- ▶ **ใช้เครื่องมือไฟฟ้าพร้อมแผ่นรองพื้นเท่านั้น** หากทำงานโดยไม่มีแผ่นรองพื้น อาจเสี่ยงต่อการสูญเสียการควบคุมเครื่องมือไฟฟ้าได้

- ใช้เครื่องตรวจจับที่เหมาะสมเพื่อตรวจสอบสายไฟฟ้าหรือท่อสารารณูปโภคที่อาจซ่อนอยู่ในบริเวณทำงานหรือติดตั้งบริษัทสารารณูปโภคในพื้นที่เพื่อขอความช่วยเหลือ การสัมผัสลัดกับสายไฟฟ้าอาจทำให้เกิดไฟไหม้หรือถูกไฟฟ้าดูด การทำให้อุปกรณ์เสียหายอาจทำให้เกิดระเบิด การเจาะเข้าไปในท่อทำให้อุปกรณ์เสียหายหรืออาจเป็นเหตุให้ถูกไฟฟ้าดูดได้

รายละเอียดผลิตภัณฑ์และข้อมูลจำเพาะ



อ่านค่าเตือนเพื่อความปลอดภัยและคำแนะนำทั้งหมด การไม่ปฏิบัติตามคำแนะนำและคำสั่งอาจเป็นสาเหตุให้ถูกไฟฟ้าดูด เกิดไฟไหม้และ/หรือได้รับบาดเจ็บอย่างร้ายแรง

กรุณาดูภาพประกอบในส่วนหน้าของคู่มือการใช้งาน

ประโยชน์การใช้งานของเครื่อง

เครื่องนี้ใช้สำหรับตัดไม้ พลาสติก โลหะ แผ่นเซรามิก ยาง และลามิเนต/HPL (High Pressure Laminate) เครื่องนี้เหมาะสำหรับตัดแนวตรงและตัดโค้งด้วยมุมมองศาถึง 45° อ่านและปฏิบัติตามคำแนะนำเกี่ยวกับใบเลื่อย

ส่วนประกอบที่แสดงภาพ

ลำดับเลขของส่วนประกอบผลิตภัณฑ์อ้างอิงถึงส่วนประกอบของเครื่องมือไฟฟ้าที่แสดงในหน้าภาพประกอบ

- (1) ปุ่มเลือกอัตราขยายชักล่งหน้า
- (2) สวิตช์เปิด-ปิด
- (3) ปุ่มล๊อคของสวิตช์เปิด-ปิด
- (4) ประแจขันทกเหลี่ยม (5 มม.)
- (5) ท่อดูดฝุ่น
- (6) ท่อต่อดูดฝุ่น
- (7) แผ่นฐาน
- (8) สกรูสำหรับยึดใบเลื่อย
- (9) หัวจับใบเลื่อย
- (10) ใบเลื่อย
- (11) ก้านชน
- (12) ฝาครอบสำหรับดูดฝุ่น
- (13) ตัวจับใบเลื่อย
- (14) ด้ามจับ (พื้นผิวจับหุ้มฉนวน)
- (15) แผ่นป้องกันการฉีกที่ผิววัสดุ^{a)}
- (16) สกรู แผ่นฐาน
- (17) มาตราส่วนมุมมาก
- (18) แถบโปรไฟล์ แผ่นยึดฐาน
- (19) แคมกำหนดตำแหน่ง
- (20) ช่องสำหรับแคมกำหนดตำแหน่ง
- (21) รูสกรูมาตรฐาน ฐานยึดแผ่นฐาน

- (22) รูสกรูสำหรับเลื่อยขีดขอบ
- (23) ช่องนำแผ่นนำเลื่อยแบบขนาน
- (24) สกรูล็อคตัวนำเลื่อยแบบขนาน^{a)}
- (25) แผ่นนำเลื่อยแบบขนานพร้อมอุปกรณ์ตัดวงกลม^{a)}
- (26) ตัวหมายศูนย์ของอุปกรณ์ตัดวงกลม^{a)}

- a) อุปกรณ์ประกอบที่แสดงภาพหรืออธิบายไม่รวมอยู่ในการจัดส่งมาตรฐาน กรุณาดูอุปกรณ์ประกอบทั้งหมดในรายการแสดงอุปกรณ์ประกอบของเรา

ข้อมูลทางเทคนิค

เลือกดู	GST 680	
หมายเลขสินค้า		3 601 EB4 0..
กำลังไฟฟ้าฟัดักตันเข้า	วัตต์	500
อัตราขยายชักเคินตัวเปล่า n_0	min^{-1}	800–3100
ระยะช่วงชัก	มม.	20
ความลึกการตัด สูงสุด		
– ในไม้	มม.	68
– ในอะลูมิเนียม	มม.	10
– ในเหล็กกล้า (ไม่เจือ)	มม.	3
การตัดมุม (ซ้าย/ขวา) สูงสุด	°	45
น้ำหนักตามระเบียบการ EPTA-Procedure 01:2014	กก.	2.0
ระดับความปลอดภัย		<input type="checkbox"/> /II

ค่าที่ใหม่นี้ใช้ได้กับแรงดันไฟฟ้าบ้านมอล [U] 230 โวลต์ค่าเหล่านี้ อาจเปลี่ยนแปลงไปสำหรับแรงดันไฟฟ้าที่แตกต่างกัน และโมเดลที่ผลิตสำหรับเฉพาะประเทศ

การติดตั้ง

- ดึงปลั๊กไฟออกจากเต้าเสียบก่อนปรับแต่งเครื่อง

การใส่/การเปลี่ยนใบเลื่อย

- เมื่อติดตั้งหรือเปลี่ยนเครื่องมือ ต้องสวมถุงมือป้องกัน เครื่องมือมีความคมและอาจร่อนขึ้นเมื่อใช้งานเป็นเวลานาน

การเลือกใบเลื่อย

กรุณาดูภาพรวมของใบเลื่อยที่แนะนำในตอนท้ายของคู่มือการใช้งาน โดยเฉพาะใบเลื่อยที่มีตามแบบแคมเดี่ยว (กาน T) หรือตามอนเนกประสงค์ 1/4" (กาน U) ใบเลื่อยไม่ควรยาวเกินกว่าที่จำเป็นสำหรับการตัดชิ้นงานที่ต้องการ ใช้ใบเลื่อยบางเมื่อตัดโค้งแคบ

การใส่ใบเลื่อย (ดูภาพประกอบ A)

- ทำความสะอาดก้านของใบเลื่อยก่อนใส่ ก้านที่สกปรกไม่สามารถยึดได้อย่างแน่นหนา คลายสกรู (8) สำหรับยึดใบเลื่อยออกด้วยประแจขันทกเหลี่ยม (4)

ต้นไม้เลื้อย (10) เข้าในตัวจับใบเลื้อย (13) ❶ จนเข้าล็อก โดยให้พินอยู่ในทิศทางตัด
ขณะใส่ใบเลื้อยให้ตรวจสอบให้แน่ใจว่าส่วนหลังใบเลื้อยอยู่ในร่องของหัวจับใบเลื้อย (9)

ขันสกรู (8) ด้วยประแจขันทกเหลี่ยม (4) ให้แน่น ❷

▶ **ตรวจสอบให้ใบเลื้อยเข้าได้อย่างมั่นคง** ใบเลื้อยที่ใส่ไวหลวมๆ อาจหล่นออกมาและทำให้ขาดเจ็บได้

การถอดใบเลื้อย (ดูภาพประกอบ B)

คลายสกรู (8) สำหรับยึดใบเลื้อย ❶ และถอดใบเลื้อย (10) ❷ ออก

แผ่นป้องกันการฉีกที่ผิววัสดุ (อุปกรณ์เสริม) (ดูภาพประกอบ C)

แผ่นป้องกันการฉีกที่ผิววัสดุ (15) (อุปกรณ์ประกอบ) สามารถป้องกันไม่ให้ผิววัสดุถูกขูดเป็นรอยขณะเลื้อยไม่ แผ่นป้องกันการฉีกที่ผิววัสดุใช้ได้กับใบเลื้อยบางประเภทเท่านั้น และยังใช้ได้เฉพาะสำหรับการตัดมุม 0° เท่านั้น เมื่อเลื้อยโดยใช้แผ่นป้องกันการฉีกที่ผิววัสดุรวมด้วย ไม่ต้องเลื่อนแผ่นฐาน (7) ไปด้านหลังสำหรับการตัดขีดขอบ กัดแผ่นป้องกันการฉีกที่ผิววัสดุ (15) จากด้านล่างเข้าไปในแผ่นฐาน (7)

การดูดฝุ่น/ซีเลื้อย

ฝุ่นที่ได้จากวัสดุ เช่น เคลือบผิวที่มีสารตะกั่ว ไม้ยางประเภทเรซาด และโลหะ อาจเป็นอันตรายต่อสุขภาพ การสัมผัสหรือการหายใจเอาฝุ่นเข้าไปอาจทำให้เกิดปฏิกิริยาแพ้ฝุ่น และ/หรือนำมาซึ่งโรคติดเชื้อระบบหายใจแก่ผู้ใช้เครื่องหรือผู้ที่ยืนอยู่ใกล้เคียง

ฝุ่นบางประเภท เช่น ฝุ่นไม้โอ๊ก หรือไม้มีซ้ นับเป็นสารที่ทำให้เกิดมะเร็ง โดยเฉพาะอย่างยิ่งเมื่อผสมกับสารเติมแต่งเพื่อบำบัดไม้ (โครเมต ผลิตภัณฑ์รักษาเนื้อไม้) สำหรับวัสดุที่มีแอลเบสทดสอบให้ผู้ใช้ชาวอายุทำงานเท่านั้น

- ใช้ระบบดูดฝุ่นออกที่เหมาะสมกับประเภทวัสดุ มากเท่าที่จะทำได้
- จัดสถานที่ทำงานให้มีกระแสลมอากาศที่ดี
- ขอแนะนำให้สวมหน้ากากป้องกันการติดเชื้อที่มีระดับ-ISO กรอง P2

ปฏิบัติตามกฎข้อบังคับสำคัญอื่นๆ ที่เกี่ยวกับวัสดุชิ้นงานที่บังคับใช้ในประเทศของท่าน

▶ ป้องกันการสะสมของฝุ่นในสถานที่ทำงาน

ฝุ่นสามารถถูกไหลอย่างง่ายดาย

ฝาคอรอบ

ติดตั้งฝาคอรอบ (12) ก่อนเชื่อมต่อเครื่องมือไฟฟ้าเข้ากับอุปกรณ์ดูดฝุ่น

สวมฝาคอรอบ (12) เข้าบนเครื่องมือไฟฟ้าในลักษณะให้ตัวยึดเข้าไปในช่องว่างที่ตัวเรือน

ถอดฝาคอรอบ (12) ออกเมื่อทำงานโดยไม่ใช้อุปกรณ์ดูดฝุ่น และเมื่อตัดมุมมาก เมื่อต้องการทำสิ่งนี้ให้กดตัวครอบเขาคูด้วยกันโดยให้อยู่ในระดับตัวยึดภายนอกและดึงออกทางด้านหน้า

การต่ออุปกรณ์ดูดฝุ่น

เสียบท่อดูดฝุ่น (5) (อุปกรณ์ประกอบ) เข้าบนท่อต่อดูดฝุ่น (6) เชื่อมต่อท่อดูดฝุ่น (5) เขากับเครื่องดูดฝุ่น (อุปกรณ์ประกอบ)

ดูภาพรวมการเชื่อมต่อกับเครื่องดูดฝุ่นต่างๆ ได้ที่ตอนท้ายของคู่มือการใช้งานฉบับนี้

เพื่อให้ดูดฝุ่นได้อย่างมีประสิทธิภาพสูงสุด ให้ติดตั้งแผ่นป้องกันการฉีกที่ผิววัสดุ (15) หากเป็นไปได้

เครื่องดูดฝุ่นต้องมีลักษณะการใช้งานที่เหมาะสมกับประเภทวัสดุชิ้นงาน

ในกรณีดูดฝุ่นแห้งที่เป็นอันตรายต่อสุขภาพอย่างยิ่งหรืออาจก่อให้เกิดมะเร็งได้ ให้ใช้เครื่องดูดฝุ่นพิเศษ

การปฏิบัติงาน

รูปแบบการทำงาน

▶ **ดึงปลั๊กไฟออกจากเต้าเสียบก่อนปรับแต่งเครื่อง**

การปรับมุมตัด (ดูภาพประกอบ D)

แผ่นฐาน (7) สามารถเอียงซ้ายหรือขวาได้ถึง 45° เพื่อตัดมุมมาก

สำหรับการตัดมุมมาก ไม่สามารถนำแผ่นป้องกันการฉีกที่ผิววัสดุ (15) มาใช้ร่วมด้วย

- ถอดตัวป้องกันเลื้อย (15) ออก
- คลายสกรู (16) ออกและเลื่อนแผ่นฐาน (7) ไปทางสายไฟฟ้าจนสุด
- บนแผ่นฐานมีร่องบากทั้งซ้ายและขวาที่ 0° และ 45° เพื่อใช้ปรับมุมมากให้ได้เที่ยงตรง หมุนแผ่นฐาน (7) ตามมาตราส่วน (17) ไปยังตำแหน่งที่ต้องการ มุมมากอื่นๆ สามารถปรับได้โดยใช้ไม้โปรแทรกเตอร์
- จากนั้นเลื่อนแผ่นฐาน (7) ไปทางใบเลื้อย (10) จนสุด
- ยึดสกรู (16) กลับให้แน่นอีกครั้ง

การเลื่อนแผ่นฐาน (ดูภาพประกอบ E)

เมื่อต้องการเลื้อยขีดขอบ สามารถเลื่อนแผ่นฐาน (7) ไปด้านหลังได้

ขันสกรู (16) ด้วยประแจขันทกเหลี่ยม (4) ออกอย่างสมบูรณ์ ถอดสกรูออกพร้อมแถบโปรไฟล์ (18)

จัดแผ่นฐาน (7) ออก ยกแผ่นรองพื้นออก ย้ายฐานรองไปที่ทิศทางของสายไฟเพื่อให้อุปกรณ์สำหรับเลื้อย (22) โกลกับขอบอยู่เหนือรูเกลียวในตัวเรือนของเครื่องมือไฟฟ้า ในขณะที่เดียวกัน แคมกำหนดตำแหน่ง (19) ต้องล็อกเข้าไปในช่อง (20) แผ่นฐานพร้อมกัน ใส่สกรู (16) พร้อมแถบโปรไฟล์ (18) เข้าในรูเกลียวแล้วขันสกรูให้แน่น เมื่อแผ่นฐาน (7) ถูกเลื่อนแล้ว จะสามารถเลื้อยได้เมื่อตัดมุมมากไว้ที่ตำแหน่ง 0° เท่านั้น นอกจากนี้ยังสามารถนำแผ่นนำเลื้อยแบบขนานพร้อมอุปกรณ์ตัดวงกลม (25) (อุปกรณ์ประกอบ) และแผ่นป้องกันการฉีกที่ผิววัสดุ (15) มาใช้ร่วมด้วย

การเริ่มต้นปฏิบัติงาน

▶ **ให้สังเกตแรงดันไฟฟ้า! แรงดันไฟฟ้าจากแหล่งจ่ายไฟฟ้าต้องมีค่าตรงกับค่าแรงดันไฟฟ้าที่ระบุไว้บนเครื่องมือไฟฟ้า เครื่องมือไฟฟ้าที่มี**

เครื่องมือขาย 230 โวลต์ สามารถใช้งานกับ 220 โวลต์
ได้ด้วย

การเปิด-ปิดเครื่อง

- ▶ ตรวจสอบให้แน่ใจว่าท่านสามารถใช้งานสวิตช์เปิด-ปิด
ได้โดยไม่ต้องปล่อยคานจับ

เปิดสวิตช์เครื่องมือไฟฟ้าโดยกดสวิตช์เปิด-ปิด (2)

ล็อคสวิตช์เปิด-ปิด (2) โดยกดสวิตช์ค้างไว้และกดปุ่มล็อค
(3) เพิ่ม

ปิดสวิตช์เครื่องมือไฟฟ้าโดยปล่อยนิ้วจากสวิตช์เปิด-ปิด (2)
หากสวิตช์เปิด-ปิด (2) ถูกล็อคไว้ ให้กดสวิตช์ก่อน แล้วจึง
ปล่อยนิ้ว

การตั้งอัตราขยับชักล่วงหน้า

สามารถตั้งความเร็วขยับชักล่วงหน้าด้วยปุ่มเลือกความเร็ว
ขยับชักล่วงหน้า (1) และเปลี่ยนค่าโดยขณะเครื่องกำลังเดิน
อยู่

เกณฑ์จังหวะขยับชักที่ต้องใช้ขึ้นอยู่กับประเภทวัสดุชิ้น
งานและเงื่อนไขการทำงาน การทดลองภาคปฏิบัติจะช่วยให้
ได้เกณฑ์จังหวะที่ดีที่สุด

ขอแนะนำให้ลดอัตราขยับชักขณะใบเลื่อยขบเข้าในวัสดุชิ้น
งาน และเมื่อเลื่อยพลาสติกและอะลูมิเนียม

ความเร็วขยับชักแบบปรับได้จะระดับช่วยให้สามารถปรับ
ความเร็วการตัด ประสิทธิภาพการตัด และรูปแบบการตัดให้
เหมาะสมกับวัสดุชิ้นงาน

ระดับ	ความเร็วขยับ ชักโดยประมาณ (min ⁻¹)	การใช้งาน/วัสดุ
1	800	โลหะ
2	1300	โลหะ การตัดโค้งแคบ
3	1800	การตัดโค้งแคบ
4	2200	การตัดโค้ง
5	2600	การตัดโค้ง
6	3000	การตัดแบบมาตรฐาน การตัด แบบเร็ว

เมื่อทำงานที่อัตราขยับชักค่าเป็นเวลานาน เครื่องอาจร้อน
ขึ้นมาก ให้ถอดใบเลื่อยออก และทำให้เครื่องมือไฟฟ้าเย็นลง
โดยปล่อยให้เครื่องเดินด้วยความเร็วขยับชักสูงสุดนาน
ประมาณ 3 นาที

ข้อแนะนำในการทำงาน

- ▶ ดึงปลั๊กไฟออกจากเต้าเสียบก่อนปรับแต่งเครื่อง
- ▶ หากใบเลื่อยติดขัด ให้ปิดสวิตช์เครื่องทันที
- ▶ หากเลื่อยชิ้นงานขนาดเล็กและบาง ให้ใช้อุปกรณ์ค้ำ
ยันหรือโต๊ะเลื่อย (อุปกรณ์ประกอบ) เสมอ

เลื่อยฉลุได้รับการออกแบบมาเป็นพิเศษสำหรับการตัดแบบ
โค้ง ในกลุ่มผลิตภัณฑ์ **Bosch** ยังรวมถึงอุปกรณ์เสริมที่ช่วย
ให้สามารถตัดตรงหรือตัดเป็นวงกลมได้ (ขึ้นอยู่กับรุ่นของ
เลื่อยฉลุ เช่น รัวขนาน รางนำ หรือเครื่องตัดแบบวงกลม)
เลื่อยฉลุมักจะ "หนีศูนย์กลาง" นั่นคืออาจไม่มีมุมและความแม่นยำ
ในการตัดอาจอีกต่อไป ปัจจัยชี้ขาดที่ส่งผลต่อความแม่นยำ

ได้แก่ ความหนาของใบเลื่อย ความยาวของการตัด และความ
หนาแน่นของวัสดุ และความหนาของชิ้นงาน

ดังนั้น คุณควรตรวจสอบกับการทดสอบการตัดทุกครั้งว่า ผล
การตัดของระบบที่เลือกนั้นสอดคล้องกับข้อกำหนดการใช้
งานของคุณหรือไม่

ก่อนเลื่อยในไม้ ไม้อัด วัสดุก่อสร้าง ฯลฯ ให้ตรวจหาสิ่งแปลก
ปลอม เช่น ตะปู สกรู หรือสิ่งคล้ายคลึงในวัสดุเหล่านี้ และ
หากจำเป็นให้ถอนสิ่งแปลกปลอมนั้นออกไป

การจ้วงตัด (ดูภาพประกอบ F)

- ▶ การจ้วงตัดจะทำได้เฉพาะเมื่อตัดวัสดุใหม่ ตัวอย่าง เช่น
ไม้ แผ่นกระดานอิปซั่ม และอื่นๆ เท่านั้น!

สำหรับการจ้วงตัด ให้ใช้เฉพาะใบเลื่อยสั้นเท่านั้น การจ้วงตัด
กระทำได้เมื่อตั้งมุมปากไว้ที่ตำแหน่ง 0° เท่านั้น

วางเครื่องมือไฟฟ้าโดยให้ขอบหน้าของแผ่นฐาน (7) จดลง
บนชิ้นงาน แต่ไม่ใ้ใบเลื่อย (10)แตะชิ้นงาน และเปิดสวิตช์

สำหรับเครื่องมือไฟฟ้าที่มีการควบคุมความเร็วขยับชัก
ให้ตั้งความเร็วขยับชักสูงสุด จับเครื่องมือไฟฟ้าหาชิ้น
งานอย่างมั่นคง และจ้วงใบเลื่อยเข้าในชิ้นงานอย่างช้าๆ

เมื่อแผ่นฐาน (7) วางเต็มพื้นผิววัสดุแล้ว ให้เลื่อยตาม
เส้นตัดที่ต้องการต่อไป

แผ่นนำเลื่อยแบบขนานพร้อมอุปกรณ์ตัดวงกลม (อุปกรณ์ ประกอบ)

สำหรับการตัดโดยใช้แผ่นนำเลื่อยแบบขนานพร้อมอุปกรณ์ตัด
วงกลม (25) (อุปกรณ์ประกอบ) ความหนาสูงสุดของวัสดุ
ชิ้นงานคือ 30 มม.

การตัดแบบขนาน (ดูภาพประกอบ G): คลายสกรูล็อค (24)
ออกและเลื่อนมาตราส่วนของแผ่นนำเลื่อยแบบขนานเข้าใน
ช่องนำ (23) ในแผ่นฐาน ตั้งความกว้างการตัดที่ต้องการ
เป็นค่ามาตราส่วนบนขอบด้านในของแผ่นฐาน ชั้นสกรูล็อค
(24) เข้าใหม่

การตัดวงกลม (ดูภาพประกอบ H): เจาะรูใกล้กับเส้นตัด
ภายในวงกลมที่จะเลื่อย โดยรูต้องใหญ่พอที่จะใส่ใบเลื่อย
แก่ไขว้เจาะด้วยเราเตอร์หรือตะไบเพื่อให้สามารถวางใบเลื่อย
ชิดกับเส้นตัดได้

ปรับตำแหน่งสกรูล็อค (24) ที่อีกด้านหนึ่งของแผ่นนำเลื่อย
แบบขนาน เลื่อนมาตราส่วนของแผ่นนำเลื่อยแบบขนานเข้าใน
ช่องนำ (23) ในแผ่นฐาน เจาะรูเข้าในชิ้นงานโดยให้รูอยู่ตรง
กลางส่วนที่จะเลื่อยออก ใส่ตัวหมายศูนย์กลาง (26) ผ่าน
ช่องเปิดด้านในของแผ่นนำเลื่อยแบบขนานและเข้าในรูที่เจาะ
ไว้ ตั้งรัศมีเป็นค่ามาตราส่วนที่ขอบด้านในของแผ่นฐาน ชั้นสกรู
ล็อค (24) เข้าใหม่

สารหล่อเย็น/น้ำมันหล่อลื่น

เมื่อเลื่อยโลหะ ให้ใช้ลมสารหล่อเย็น/น้ำมันหล่อลื่นตามรอย
ตัดเนื่องจากวัสดุร้อนขึ้น

การบำรุงรักษาและการบริการ

การบำรุงรักษาและการทำความสะอาด

- ▶ ดึงปลั๊กไฟออกจากเต้าเสียบก่อนปรับแต่งเครื่อง
- ▶ เพื่อให้ทำงานได้อย่างถูกต้องและปลอดภัย
ต้องรักษาเครื่องและช่องระบายอากาศ
ให้สะอาดอยู่เสมอ

หากจำเป็นต้องเปลี่ยนสายไฟฟ้า ต้องส่งเครื่องให้ **Bosch** หรือศูนย์บริการหลังการขายที่ได้รับมอบหมายสำหรับเครื่องมือไฟฟ้า **Bosch** เปลี่ยนไฟ ทั้งนี้เพื่อหลีกเลี่ยงอันตราย

ค่าความสะอาดที่จับไม่เลื้อยเป็นประจำ สำหรับการทำความสะอาด ให้ถอดใบเลื่อยออกจากตัวเครื่อง และจับเครื่องเคาะบนพื้นราบเบาๆ

หากเครื่องมือไฟฟ้าสกปรกมาก เครื่องอาจทำงานผิดปกติได้ ดังนั้นอย่าเสียวัดชุดที่ฝุ่นมากจากทางด้านล่างหรือเหนือศีรษะ

▶ หากใช้เครื่องทำงานหนัก ให้ใช้อุปกรณ์ดูดฝุ่นออกเท่าที่จะทำได้เสมอ เพื่อของระคายอากาศเป็นประจำและติดตั้งเครื่องตัดไฟรั่ว (RCD) เมื่อทำงานกับโลหะ

ฝุ่นซึ่งมีคุณสมบัตินำความร้อนและกระแสไฟฟ้าอาจสะสมอยู่ข้างในเครื่องมือไฟฟ้า ฉนวนป้องกันทั้งหมดของเครื่องมือไฟฟ้าอาจได้รับผลเสีย

หากช่องทางออกฝุ่นเกิดอุดตัน ให้ปิดสวิตช์เครื่องมือไฟฟ้า ถอดอุปกรณ์ดูดฝุ่น และนำฝุ่นและเศษวัสดุออกไป หลอ่ล้นหัวจับไม่เลื้อย (9) เป็นครั้งคราวโดยการหยอดน้ำมัน ตรวจสอบหัวจับไม่เลื้อย (9) เป็นประจำ หากสึกหรอ ต้องส่งไปยังศูนย์บริการหลังการขาย **Bosch** ที่ได้รับมอบหมายเพื่อทำการเปลี่ยนไฟ

การบริการหลังการขายและการให้คำปรึกษาการใช้งาน

ศูนย์บริการหลังการขายของเรายินดีตอบคำถามของท่านที่เกี่ยวกับการบำรุงรักษาและการซ่อมแซมผลิตภัณฑ์รวมทั้งเรื่องอะไหล่ ภาพเขียนแบบการประกอบและข้อมูลเกี่ยวกับอะไหล่ กรุณาดูใน: www.bosch-pt.com ทีมงานที่ปรึกษาของ บอช ยินดีให้ข้อมูลเกี่ยวกับผลิตภัณฑ์ของเราและอุปกรณ์ประกอบต่างๆ

เมื่อต้องการสอบถามและสั่งซื้ออะไหล่ กรุณาแจ้งหมายเลขสินค้า 10 หลักบนแผนป้ายรุ่นของผลิตภัณฑ์ทุกครั้ง

ไทย

ไทย บริษัท โรเบิร์ต บอช จำกัด
 เอฟวายไอ เซ็นเตอร์ อาคาร 1 ชั้น 5
 เลขที่ 2525 ถนนพระราม 4
 แขวงคลองเตย เขตคลองเตย กรุงเทพฯ 10110
 โทร: +66 2012 8888
 แฟกซ์: +66 2064 5800
www.bosch.co.th

ศูนย์บริการซ่อมและฝึกอบรม บอช
 อาคาร ลาซาลทาวเวอร์ ชั้น G ห้องเลขที่ 2
 บานเลขที่ 10/11 หมู่ 16
 ถนนศรีนครินทร์ ตำบลบางแก้ว อำเภอบางพลี
 จังหวัดสมุทรปราการ 10540
 ประเทศไทย
 โทรศัพท์ 02 7587555
 โทรสาร 02 7587525

สามารถดูที่อยู่ศูนย์บริการอื่นๆ ได้ที่:
www.bosch-pt.com/serviceaddresses

การกำจัดขยะ

เครื่องมือไฟฟ้า อุปกรณ์ประกอบ และที่บด ต้องนำไปแยกประเภทวัสดุเพื่อการรีไซเคิลที่เป็นมิตรต่อสิ่งแวดล้อม อย่าทิ้งเครื่องมือไฟฟ้าลงในขยะบ้าน!



Bahasa Indonesia

Petunjuk Keselamatan

Petunjuk keselamatan umum untuk perkakas listrik

PERINGATAN Baca semua peringatan, petunjuk, ilustrasi, dan spesifikasi

keselamatan yang diberikan bersama perkakas listrik ini. Kesalahan dalam menjalankan petunjuk di bawah ini dapat mengakibatkan sengatan listrik, kebakaran, dan/atau cedera serius.

Simpanlah semua peringatan dan petunjuk untuk penggunaan di masa mendatang.

Istilah "perkakas listrik" dalam peringatan mengacu pada perkakas listrik yang dioperasikan dengan listrik (menggunakan kabel) atau perkakas listrik yang dioperasikan dengan baterai (tanpa kabel).

Keamanan tempat kerja

- ▶ **Jaga kebersihan dan pencahayaan area kerja.** Area yang berantakan atau gelap dapat memicu kecelakaan.
- ▶ **Jangan mengoperasikan perkakas listrik di lingkungan yang dapat memicu ledakan, seperti adanya cairan, gas, atau debu yang mudah terbakar.** Perkakas listrik dapat memancarkan bunga api yang kemudian mengakibatkan debu atau uap terbakar.
- ▶ **Jauhkan dari jangkauan anak-anak dan pengamat saat mengoperasikan perkakas listrik.** Gangguan dapat menyebabkan hilangnya kendali.

Keamanan listrik

- ▶ **Steker perkakas listrik harus sesuai dengan stopkontak. Jangan pernah memodifikasi steker. Jangan menggunakan steker adaptor bersama dengan perkakas listrik yang terhubung dengan sistem grounding.** Steker yang tidak dimodifikasi dan stopkontak yang cocok akan mengurangi risiko sengatan listrik.
- ▶ **Hindari kontak badan dengan permukaan yang terhubung dengan sistem grounding, seperti pipa, radiator, kompor, dan lemari es.** Terdapat peningkatan risiko terjadinya sengatan listrik jika badan Anda terhubung dengan sistem grounding.

- ▶ **Perkakas listrik tidak boleh terpapar hujan atau basah.** Air yang masuk ke dalam perkakas listrik menambah risiko terjadinya sengatan listrik.
- ▶ **Jangan menyalahgunakan kabel. Jangan gunakan kabel untuk membawa, menarik, atau melepas steker perkakas listrik. Jauhkan kabel dari panas, minyak, tepi yang tajam, atau komponen yang bergerak.** Kabel listrik yang rusak atau tersangkut menambah risiko terjadinya sengatan listrik.
- ▶ **Saat mengoperasikan perkakas listrik di luar ruangan, gunakan kabel ekstensi yang sesuai untuk penggunaan di luar ruangan.** Penggunaan kabel yang cocok untuk pemakaian di luar ruangan mengurangi risiko terjadinya sengatan listrik.
- ▶ **Jika perkakas listrik memang harus dioperasikan di tempat yang lembap, gunakan pemutus arus listrik residu (RCD).** Penggunaan RCD akan mengurangi risiko terjadinya sengatan listrik.

Keselamatan personel

- ▶ **Tetap waspada, perhatikan aktivitas yang sedang dikerjakan dan gunakan akal sehat saat mengoperasikan perkakas listrik. Jangan gunakan perkakas listrik saat mengalami kelelahan atau di bawah pengaruh narkoba, alkohol, atau obat-obatan.** Jika perkakas listrik dioperasikan dengan daya konsentrasi yang rendah, hal tersebut dapat menyebabkan cedera serius.
- ▶ **Gunakan peralatan pelindung diri. Selalu kenakan pelindung mata.** Penggunaan perlengkapan pelindung seperti penutup telinga, helm, sepatu anti licin, dan masker debu akan mengurangi cedera.
- ▶ **Hindari start yang tidak disengaja. Pastikan switch berada di posisi off sebelum perkakas listrik dihubungkan ke sumber daya listrik dan/atau baterai, diangkat, atau dibawa.** Membawa perkakas listrik dengan jari menempel pada tombol atau perkakas listrik dalam keadaan hidup dapat memicu kecelakaan.
- ▶ **Singkirkan kunci penyetel atau kunci pas sebelum menghidupkan perkakas listrik.** Perkakas atau kunci pas yang masih menempel pada komponen perkakas listrik yang berputar dapat menyebabkan cedera.
- ▶ **Jangan melampaui batas. Berdirilah secara mantap dan selalu jaga keseimbangan.** Hal ini akan memberikan kontrol yang lebih baik terhadap perkakas listrik pada situasi yang tak terduga.
- ▶ **Kenakan pakaian dengan wajar. Jangan mengenakan perhiasan atau pakaian yang longgar. Jauhkan rambut dan pakaian dari komponen yang bergerak.** Pakaian yang longgar, rambut panjang, atau perhiasan dapat tersangkut dalam komponen yang bergerak.
- ▶ **Jika disediakan perangkat untuk sambungan pengisapan debu dan alat pengumpulan, pastikan perangkat tersebut terhubung dan digunakan dengan benar.** Penggunaan alat pengumpulan dapat mengurangi bahaya yang disebabkan oleh debu.

- ▶ **Jangan berpuas diri dan mengabaikan prinsip keselamatan karena terbiasa mengoperasikan perkakas.** Tindakan yang kurang hati-hati dapat mengakibatkan cedera serius dalam waktu sepersekian detik.

Penggunaan dan pemeliharaan perkakas listrik

- ▶ **Jangan memaksakan perkakas listrik. Gunakan perkakas listrik yang sesuai untuk pekerjaan yang dilakukan.** Perkakas listrik yang sesuai akan bekerja dengan lebih baik dan aman sesuai tujuan penggunaan.
- ▶ **Jangan gunakan perkakas listrik dengan switch yang tidak dapat dioperasikan.** Perkakas listrik yang switchnya yang tidak berfungsi dapat menimbulkan bahaya dan harus diperbaiki.
- ▶ **Lepaskan steker dari sumber listrik dan/atau lepas baterai, jika dapat dilepaskan dari perkakas listrik sebelum menyetel, mengganti aksesoris, atau menyimpan perkakas listrik.** Tindakan preventif akan mengurangi risiko menghidupkan perkakas listrik secara tidak disengaja.
- ▶ **Jauhkan dan simpan perkakas listrik dari jangkauan anak-anak dan jangan biarkan orang-orang yang tidak mengetahui cara menggunakan perkakas listrik, mengoperasikan perkakas listrik.** Perkakas listrik dapat membahayakan jika digunakan oleh orang-orang yang tidak terlatih.
- ▶ **Lakukan pemeliharaan perkakas listrik dan aksesoris. Periksa komponen yang bergerak apabila tidak lurus atau terikat, kerusakan komponen, dan kondisi lain yang dapat mengganggu pengoperasian perkakas listrik. Apabila rusak, perbaiki perkakas listrik sebelum digunakan.** Kecelakaan sering terjadi karena perkakas listrik tidak dirawat dengan baik.
- ▶ **Jaga ketajaman dan kebersihan alat.** Alat pemotong dengan pisau pemotong yang tajam dan dirawat dengan baik tidak akan mudah tersangkut dan lebih mudah dikendalikan.
- ▶ **Gunakan perkakas listrik, aksesoris, dan komponen perkakas dll sesuai dengan petunjuk ini, dengan mempertimbangkan kondisi kerja dan pekerjaan yang akan dilakukan.** Penggunaan perkakas listrik untuk tujuan berbeda dari fungsinya dapat menyebabkan situasi yang berbahaya.
- ▶ **Jaga gagang dan permukaan genggam agar tetap kering, bersih, dan bebas dari minyak dan lemak.** Gagang dan permukaan genggam yang licin tidak menjamin keamanan kerja dan kontrol alat yang baik pada situasi yang tidak terduga.

Servis

- ▶ **Minta teknisi berkualifikasi untuk menyervis perkakas listrik dengan hanya menggunakan suku cadang yang identik.** Dengan demikian, hal ini akan memastikan keamanan perkakas listrik.

Petunjuk Keselamatan untuk Mesin Jigsaw

- ▶ **Pegang perkakas listrik pada permukaan gagang isolator saat digunakan karena aksesori pemotong dapat saja bersentuhan dengan kabel yang tidak terlihat atau kabelnya sendiri.** Aksesori pemotong yang bersentuhan dengan kabel yang dialiri listrik dapat menyebabkan bagian logam perkakas listrik yang terbuka dialiri listrik sehingga berisiko mengakibatkan sengatan listrik pada operator.
- ▶ **Gunakan penjepit atau cara lain yang praktis untuk mengamankan dan menopang benda kerja pada permukaan yang stabil.** Benda kerja dapat goyah atau kehilangan kendali jika dipegang dengan tangan atau ditahan dengan tubuh Anda.
- ▶ **Jauhkan tangan Anda dari area penggergajian. Jangan menjangkau ke bawah benda kerja.** Bersentuhan dengan mata gergaji dapat mengakibatkan cedera.
- ▶ **Hidupkan terlebih dahulu perkakas listrik, kemudian perkakas listrik didekatkan pada benda kerja.** Jika tidak, terdapat bahaya sentakan jika alat kerja tersangkut dalam benda yang dikerjakan.
- ▶ **Pastikan pelat kaki terletak dengan aman selama penggergajian.** Mata gergaji yang tersangkut dapat patah atau mengakibatkan terjadinya sentakan.
- ▶ **Matikan perkakas listrik setelah pekerjaan menggergaji selesai dan tunggu hingga mata gergaji berhenti bergerak, kemudian keluarkan mata gergaji dari jalur pemotongan.** Dengan demikian, sentakan dapat dihindari dan perkakas listrik dapat diletakkan dengan aman.
- ▶ **Sebelum meletakkan perkakas listrik, tunggulah hingga perkakas berhenti berputar.** Alat kerja dapat tersangkut dan menyebabkan perkakas listrik tidak dapat dikendalikan.
- ▶ **Gunakanlah hanya mata gergaji yang tidak rusak dan mulus.** Mata gergaji yang melengkung atau tidak tajam dapat patah, membuat potongan tidak bagus, atau mengakibatkan sentakan.
- ▶ **Setelah perkakas listrik dimatikan, jangan melakukan pengereman dengan cara menekan mata gergaji pada sisinya.** Hal tersebut dapat mengakibatkan mata gergaji menjadi rusak, patah, atau mengakibatkan sentakan.
- ▶ **Hanya gunakan perkakas listrik dengan pelat dasar.** Saat bekerja tanpa pelat dasar, terdapat risiko perkakas listrik tidak dapat dikontrol.
- ▶ **Gunakanlah alat detektor logam yang cocok untuk mencari kabel dan pipa yang tidak terlihat atau hubungi perusahaan pengadaan setempat.** Sentuhan dengan kabel-kabel listrik dapat mengakibatkan api dan kontak listrik. Pipa gas yang dirusak dapat mengakibatkan ledakan. Pipa air yang dirusak mengakibatkan kerusakan barang-barang atau dapat mengakibatkan kontak listrik.

Spesifikasi produk dan performa



Bacalah semua petunjuk keselamatan dan petunjuk penggunaan. Kesalahan dalam menjalankan petunjuk keselamatan dan petunjuk penggunaan dapat mengakibatkan kontak listrik, kebakaran, dan/atau luka-luka yang berat.

Perhatikan ilustrasi yang terdapat pada sisi sampul panduan pengoperasian.

Tujuan penggunaan

Perkakas listrik ini cocok untuk membelah dan memotong kayu, bahan sintetis, logam, pelat keramik, karet dan laminasi/HPL (High Pressure Laminate) pada permukaan yang kokoh. Perkakas ini cocok untuk memotong lurus dan melengkung dengan sudut potong hingga 45°. Perhatikan petunjuk untuk penggunaan mata gergaji.

Ilustrasi komponen

Penomoran ilustrasi komponen mengacu pada gambar perkakas listrik pada halaman grafis.

- (1) Selektor putar untuk pemilihan awal kecepatan pemotongan
- (2) Tombol on/off
- (3) Pengunci tombol on/off
- (4) Kunci L (5 mm)
- (5) Slang pengisap
- (6) Nozel pengisap
- (7) Pelat dasar
- (8) Sekrup pengencang mata gergaji
- (9) Rol pemandu
- (10) Mata gergaji
- (11) Pelindung dari sentuhan tangan atau jari
- (12) Kap pelindung debu untuk pengisapan
- (13) Dudukan mata gergaji
- (14) Gagang (permukaan genggam berisolator)
- (15) Pelindung serpihan^{a)}
- (16) Sekrup pelat dasar
- (17) Skala sudut mitre
- (18) Lis profil pengencang pelat dasar
- (19) Cam posisi
- (20) Lubang untuk cam posisi
- (21) Lubang sekrup standar pengencang pelat dasar
- (22) Lubang sekrup untuk menggergaji di dekat tepi
- (23) Pemandu untuk mistar sejajar
- (24) Baut pengunci mistar sejajar^{a)}
- (25) Mistar sejajar dengan pemotong bundar^{a)}

(26) Titik pusat pemotong bundar^{a)}

- a) **Aksesori yang digambarkan atau yang dijelaskan tidak termasuk dalam lingkup pengiriman standar. Semua aksesori yang ada dapat ditemukan dalam program aksesori kami.**

Data teknis

Mesin jigsaw	GST 680	
Nomor model		3 601 EB4 0..
Input daya nominal	W	500
Kecepatan pemotongan tanpa beban n_0	min ⁻¹	800–3100
Pemotongan	mm	20
Kedalaman pemotongan maks.		
– pada kayu	mm	68
– pada aluminium	mm	10
– pada baja (non-alloy)	mm	3
Sudut pemotongan (kiri/kanan) maks.	°	45
Berat sesuai dengan EPTA-Procedure 01:2014	kg	2,0
Tingkat perlindungan		□/II

Data-data berlaku untuk tegangan nominal [U] 230 V. Pada tegangan yang lebih rendah dan pada model khusus mancanegara data-data ini bisa berlainan.

Cara memasang

- ▶ **Sebelum mulai dengan pekerjaan pada perkakas listrik, tariklah steker dari stopkontak.**

Memasang/mengganti pisau gergaji

- ▶ **Pakai sarung tangan pelindung saat memasang atau mengganti alat sisipan.** Alat sisipan sangat tajam dan dapat memanas jika digunakan dalam waktu yang lama.

Memilih mata gergaji

Temukan ikhtisar mengenai mata gergaji yang direkomendasikan di akhir petunjuk ini. Hanya pasang mata gergaji dengan batang cam tunggal (batang T) atau dengan batang universal 1/4" (batang U). Mata gergaji sebaiknya tidak lebih panjang daripada yang diperlukan untuk pemotongan yang hendak dikerjakan.

Untuk menggergaji lekukan, gunakanlah pisau gergaji yang tidak lebar.

Memasang mata gergaji (lihat gambar A)

- ▶ **Bersihkan batang mata gergaji sebelum dipasang.** Batang yang kotor tidak dapat dipasang dengan aman.
- Kendurkan sekrup (8) pengencang mata gergaji menggunakan kunci L (4) yang tersedia.
- Geser mata gergaji (10) dengan gigi menghadap ke arah pemotongan hingga terkunci pada kedudukan mata gergaji (13) ①.

Pastikan saat memasang mata gergaji, punggung mata gergaji terletak pada alur rol pemandu (9).

Kencangkan sekrup (8) menggunakan kunci L (4) ②.

- ▶ **Pastikan pisau gergaji terpasang kencang.** Pisau gergaji yang tidak kencang dapat terlepas dan mencederai Anda.

Melepaskan mata gergaji (lihat gambar B)

Kendurkan sekrup (8) pengencang mata gergaji ① dan lepaskan mata gergaji (10) ②.

Pelindung serpihan (aksesori) (lihat gambar C)

Pelindung serpihan (15) (aksesori) dapat melindungi permukaan agar tidak robek saat memotong kayu. Pelindung serpihan hanya dapat digunakan dengan jenis pisau gergaji yang sesuai dan hanya dengan sudut pemotongan 0°. Pelat dasar (7) tidak boleh dipindahkan ke belakang untuk pemotongan tepi saat memotong dengan pelindung serpihan.

Tekan pelindung serpihan (15) dari bawah ke dalam pelat dasar (7).

Pengisapan debu/serbuk

Debu dari bahan-bahan seperti cat yang mengandung timbal, beberapa jenis kayu, bahan mineral dan logam dapat berbahaya bagi kesehatan. Menyentuh atau menghirup debu tersebut dapat mengakibatkan reaksi alergi dan/atau penyakit saluran pernapasan bagi pengguna atau orang yang berada di dekatnya.

Beberapa debu tertentu seperti misalnya debu kayu pohon ek atau pohon fagus silvatica dianggap dapat mengakibatkan penyakit kanker, terutama dalam campuran dengan bahan-bahan tambahan untuk pengolahan kayu (kromat, obat pengawet kayu). Bahan-bahan yang mengandung asbes hanya boleh dikerjakan oleh orang-orang yang ahli.

- Gunakanlah hanya pengisap debu yang cocok untuk mengisap bahan yang dikerjakan.
- Pastikan terdapat ventilasi udara yang baik di tempat kerja.
- Dianjurkan untuk memakai masker anti debu dengan filter kelas P2.

Taatilah peraturan-peraturan untuk bahan-bahan yang dikerjakan yang berlaku di negara Anda.

- ▶ **Hindari debu yang banyak terkumpul di tempat kerja.**

Debu dapat tersulut dengan mudah.

Kap pelindung debu

Pasang kap pelindung debu (12) sebelum perkakas listrik disambungkan pada pengisapan debu.

Pasang kap pelindung debu (12) pada perkakas listrik sehingga penopang terkunci di dalam ceruk housing.

Lepaskan kap pelindung debu (12) untuk pengoperasian tanpa ekstraksi debu serta untuk pemotongan sudut (mitre). Untuk itu, tekan kap secara bersamaan ke ketinggian penopang luar lalu tarik ke depan.

Menyambungkan ekstraksi debu

Pasang slang pengisap **(5)** (aksesori) pada sambungan pengisapan **(6)**. Hubungkan slang pengisap **(5)** dengan pengisap debu (aksesori).

Ikhtisar mengenai sambungan pada pengisap debu yang berbeda dapat ditemukan pada bagian akhir panduan ini.

Jika memungkinkan, gunakan pelindung serpihan **(15)** untuk pengisapan yang optimal.

Mesin pengisap debu harus sesuai dengan material yang dikerjakan.

Gunakan mesin pengisap khusus saat melakukan pengisapan debu yang kering dan dapat membahayakan kesehatan serta memicu kanker.

Penggunaan

Mode pengoperasian

- ▶ **Sebelum mulai dengan pekerjaan pada perkakas listrik, tariklah steker dari stopkontak.**

Mengatur sudut pemotongan (lihat gambar D)

Pelat dasar **(7)** dapat diputar ke kanan atau kiri untuk pemotongan miring hingga 45°.

Pelindung serpihan **(15)** tidak dapat digunakan untuk pemotongan miring.

- Lepas pelindung serpihan **(15)**.
- Kendorkan sekrup **(16)** dan geser pelat dasar **(7)** ke arah kabel secara perlahan.
- Pelat dasar memiliki titik penguncian kanan dan kiri pada sudut 0° dan 45° untuk mengatur sudut pemotongan yang tepat. Gerakkan pelat dasar **(7)** sesuai skala **(17)** ke posisi yang diinginkan. Sudut pemotongan lainnya dapat diatur dengan mistar sudut.
- Kemudian geser pelat dasar **(7)** ke arah mata gergaji **(10)** hingga maksimal.
- Kencangkan kembali sekrup **(16)**.

Memindahkan pelat dasar (lihat gambar E)

Pelat dasar **(7)** dapat dipindahkan ke belakang untuk pemotongan tepi.

Putar dan lepaskan sekrup **(16)** sepenuhnya menggunakan kunci L **(4)**. Lepaskan sekrup bersamaan dengan lis profil **(18)**.

Angkat pelat dasar **(7)**. Pindahkan pelat dasar ke arah kabel daya sehingga lubang sekrup untuk menggergaji di dekat tepi **(22)** berada di atas lubang ulir pada housing perkakas listrik. Cam posisi **(19)** harus terkunci di dalam lubang **(20)** pelat dasar secara bersamaan. Pasang sekrup **(16)** dengan lis profil **(18)** pada lubang ulir dan kencangkan sekrup.

Pemotongan dengan pelat dasar **(7)** yang dipindahkan hanya dapat dilakukan dengan sudut potong sebesar 0°. Selain itu, mistar sejajar dengan pemotong bundar **(25)** (aksesori) dan pelindung serpihan **(15)** tidak boleh digunakan.

Cara penggunaan

- ▶ **Perhatikan tegangan listrik! Tegangan sumber listrik harus sesuai dengan informasi yang tercantum pada label perkakas listrik. Perkakas listrik dengan daya sebesar 230 V seperti yang diindikasikan pada label juga dapat dioperasikan pada daya 220 V.**

Menghidupkan/mematikan perkakas listrik

- ▶ **Pastikan bahwa Anda dapat mengoperasikan tombol untuk menghidupkan dan mematikan tanpa perlu melepaskan handle.**

Untuk **menghidupkan** perkakas listrik, tekan tombol on/off **(2)**.

Untuk **mengunci** tombol on/off **(2)** tekan dan tahan tombol on/off dan tombol pengunci **(3)**.

Untuk **mematikan** perkakas listrik, lepaskan tombol on/off **(2)**. Jika tombol on/off **(2)** terkunci, tekan terlebih dahulu tombol tersebut, kemudian lepaskan.

Penyetelan awal kecepatan pemotongan

Dengan roda pemilih kecepatan **(1)**, jumlah langkah dapat disetel sebelumnya dan diubah selama pengoperasian.

Jumlah langkah yang diperlukan tergantung pada material kerja dan kondisi kerja serta dapat ditentukan dengan uji coba.

Disarankan untuk mengurangi jumlah langkah saat menggunakan pisau gergaji pada benda kerja serta saat memotong bahan sintetis dan aluminium.

Kecepatan pemotongan yang dapat diatur dalam enam level memungkinkan penyesuaian kecepatan pemotongan, daya pemotongan, dan hasil pemotongan yang optimal pada material kerja.

Level	Kecepatan pemotongan sekitar (min ⁻¹)	Aplikasi/material
1	800	Logam
2	1300	Logam, potongan kurva sempit
3	1800	Potongan kurva sempit
4	2200	Potongan kurva
5	2600	Potongan kurva
6	3000	Potongan standar, potongan cepat

Jika digunakan untuk waktu yang lama dengan jumlah langkah yang rendah, perkakas listrik dapat menjadi sangat panas. Lepaskan pisau gergaji dan biarkan perkakas listrik beroperasi dengan jumlah langkah maksimal selama kira-kira 3 menit untuk didinginkan.

Petunjuk pengoperasian

- ▶ **Sebelum mulai dengan pekerjaan pada perkakas listrik, tariklah steker dari stopkontak.**
- ▶ **Segera matikan perkakas listrik jika pisau gergaji terhenti.**

- ▶ **Jika mengerjakan benda-benda yang kecil atau tipis, gunakan selalu permukaan yang stabil atau meja gergaji (aksesori).**

Mesin jigsaw ini utamanya dirancang untuk membuat potongan melengkung. Selain itu, rangkaian produk dari **Bosch** juga menyediakan aksesori yang dapat digunakan untuk membuat potongan lurus atau potongan melingkar (tergantung model mesin jigsaw, misalnya mistar sejajar, rel pemandu, atau pemotong melingkar).

Mesin jigsaw genggam ini biasanya cenderung "keluar dari jalur pemotongannya", artinya, kemungkinan tidak ada akurasi sudut dan pemotongannya. Faktor utama yang memengaruhi akurasi tersebut yaitu ketebalan mata gergaji, panjang potongan, serta ketebalan dan kepadatan material benda kerja.

Oleh karena itu, selalu pastikan hasil pemotongan sistem yang dipilih telah sesuai dengan ketentuan aplikasi Anda melalui pemotongan uji coba.

Sebelum melakukan pemotongan, periksa benda kerja dari benda asing seperti paku, baut atau sejenisnya pada kayu, papan partikel, material bangunan dan lainnya serta singkirkan benda asing tersebut.

Pemotongan dalam (lihat gambar F)

- ▶ **Hanya bahan lunak seperti kayu, gipsium atau sejenisnya yang boleh digunakan pada proses penggergajian!**

Untuk pemotongan dalam, hanya gunakan pisau gergaji yang pendek. Pemotongan dalam hanya dapat dilakukan dengan sudut potong sebesar 0°.

Letakkan perkakas listrik dengan tepi depan pelat dasar (7) pada benda kerja tanpa menyentuhkan pisau gergaji (10) pada benda kerja tersebut dan hidupkan perkakas listrik. Pada perkakas listrik dengan kontrol kecepatan, pilih jumlah langkah maksimal. Tekan kuat perkakas listrik pada benda kerja dan biarkan pisau gergaji masuk perlahan.

Begitu pelat dasar (7) terletak sepenuhnya pada benda kerja, potong benda kerja sepanjang garis yang diinginkan.

Mistar sejajar dengan pemotong bundar (aksesori)

Untuk bekerja dengan mistar sejajar dan pemotong bundar (25) (aksesori) ketebalan benda kerja tidak boleh melebihi 30 mm.

Pemotongan sejajar (lihat gambar G): Kendurkan baut pengunci (24) dan geser skala mistar sejajar melalui pemandu (23) pada pelat dasar. Atur lebar potongan sebagai nilai skala pada bagian dalam pelat dasar. Kencangkan baut pengunci (24).

Pemotongan bundar (lihat gambar H): Buat lubang pada garis pemotongan di dalam lingkaran yang akan dipotong yang cukup untuk memasukkan pisau gergaji. Buat lubang dengan mesin potong atau alat kikir agar pisau gergaji dapat terletak secara merata pada garis potongan.

Pasang baut pengunci (24) ke sisi lain pada mistar sejajar. Geser skala mistar sejajar melalui pemandu (23) pada pelat dasar. Buat lubang pada benda kerja di tengah potongan yang akan digergaji. Masukkan titik pusat (26) melalui lubang bagian dalam mistar sejajar dan lubang yang dibor.

Atur jari-jari sebagai nilai skala pada tepi dalam pelat dasar. Kencangkan baut pengunci (24).

Zat pendingin/pelumas

Saat menggergaji logam, gunakan zat pendingin/pelumas di sepanjang garis pemotongan akibat pemanasan pada material.

Perawatan dan servis

Perawatan dan pembersihan

- ▶ **Sebelum mulai dengan pekerjaan pada perkakas listrik, tariklah steker dari stopkontak.**
- ▶ **Perkakas listrik dan lubang ventilasi harus selalu dibersihkan agar perkakas dapat digunakan dengan baik dan aman.**

Jika kabel listrik harus diganti, pekerjaan ini harus dilakukan oleh **Bosch** atau Service Center untuk perkakas listrik **Bosch** resmi agar keselamatan kerja selalu terjamin.

Bersihkan dudukan pisau gergaji secara berkala. Untuk melakukannya, lepas pisau gergaji dari perkakas listrik dan ketukkan perkakas listrik dengan perlahan pada permukaan yang datar.

Perkakas listrik yang sangat kotor dapat tidak berfungsi dengan baik. Oleh karena itu, jangan menggergaji material yang menghasilkan banyak debu dari bawah atau di atas kepala.

- ▶ **Bila memungkinkan, selalu gunakan sistem ekstraksi udara dalam kondisi pengoperasian yang ekstrem. Tiuplah dengan rutin lubang ventilasi dan hidupkan pemutus arus (PRCD).** Saat pengerjaan bahan logam, debu konduktif dapat mengendap di dalam perkakas listrik. Isolasi keamanan dari perkakas listrik dapat terganggu.

Jika saluran keluar debu tersumbat, matikan perkakas listrik, lepaskan pengisap debu dan bersihkan debu dan serbuk.

Oleskan rol pemandu (9) sesekali dengan setetes minyak.

Periksa rol pemandu (9) secara teratur. Jika rol pemandu aus, rol pemandu harus diganti oleh Service Center **Bosch** resmi.

Layanan pelanggan dan konsultasi penggunaan

Layanan pelanggan Bosch menjawab semua pertanyaan Anda tentang reparasi dan perawatan serta tentang suku cadang produk ini. Gambaran teknis (exploded view) dan informasi mengenai suku cadang dapat ditemukan di:

www.bosch-pt.com

Tim konsultasi penggunaan Bosch akan membantu Anda menjawab pertanyaan seputar produk kami beserta aksesori.

Jika Anda hendak menanyakan sesuatu atau memesan suku cadang, selalu sebutkan nomor model yang terdiri dari 10 angka dan tercantum pada label tipe produk.

Indonesia

PT Robert Bosch Indonesia
Arkadia Green Park Tower G – 7th floor

Jl. Let. Jend. TB. Simatupang Kav.88
 Jakarta 12520
 Tel.: (021) 3005 5800
 Fax: (021) 3005 5801
 E-Mail: boschpowertools@id.bosch.com
 www.bosch-pt.co.id

Alamat layanan lainnya dapat ditemukan di:

www.bosch-pt.com/serviceaddresses

Cara membuang

Perkakas listrik, aksesori, dan kemasan sebaiknya didaur ulang secara ramah lingkungan.



Jangan membuang perkakas listrik ke dalam tempat sampah rumah tangga!

Tiếng Việt

Hướng dẫn an toàn

Hướng dẫn an toàn chung cho dụng cụ điện

⚠ CẢNH BÁO Hãy đọc toàn bộ các cảnh báo an toàn, hướng dẫn, hình ảnh và thông số kỹ thuật được cung cấp cho dụng cụ điện cầm tay này. Không tuân thủ mọi hướng dẫn được liệt kê dưới đây có thể bị điện giật, gây cháy và /hay bị thương tật nghiêm trọng.

Hãy giữ tất cả tài liệu về cảnh báo và hướng dẫn để tham khảo về sau.

Thuật ngữ "dụng cụ điện cầm tay" trong phần cảnh báo là để cập đến sự sử dụng dụng cụ điện cầm tay của bạn, loại sử dụng điện nguồn (có dây cắm điện) hay vận hành bằng pin (không dây cắm điện).

Khu vực làm việc an toàn

- ▶ **Giữ nơi làm việc sạch và đủ ánh sáng.** Nơi làm việc bừa bộn và tối tăm dễ gây ra tai nạn.
- ▶ **Không vận hành dụng cụ điện cầm tay trong môi trường dễ gây nổ, chẳng hạn như nơi có chất lỏng dễ cháy, khí đốt hay rác.** Dụng cụ điện cầm tay tạo ra các tia lửa nên có thể làm rác bén cháy hay bốc khói.
- ▶ **Không để trẻ em hay người đến xem đứng gần khi vận hành dụng cụ điện cầm tay.** Sự phân tâm có thể gây ra sự mất điều khiển.

An toàn về điện

- ▶ **Phích cắm của dụng cụ điện cầm tay phải thích hợp với ổ cắm.** Không bao giờ được cải biến lại phích cắm dưới mọi hình thức. Không được sử dụng phích tiếp hợp nối tiếp

đất (dây mát). Phích cắm nguyên bản và ổ cắm đúng loại sẽ làm giảm nguy cơ bị điện giật.

- ▶ **Tránh không để thân thể tiếp xúc với đất hay các vật có bề mặt tiếp đất như đường ống, lò sưởi, hàng rào và tủ lạnh.** Có nhiều nguy cơ bị điện giật hơn nếu cơ thể bạn bị tiếp hay nối đất.
- ▶ **Không được để dụng cụ điện cầm tay ngoài mưa hay ở tình trạng ẩm ướt.** Nước vào máy sẽ làm tăng nguy cơ bị điện giật.
- ▶ **Không được lạm dụng dây dẫn điện.** Không bao giờ được nắm dây dẫn để xách, kéo hay rút phích cắm dụng cụ điện cầm tay. Không để dây gần nơi có nhiệt độ cao, dầu nhớt, vật nhọn bén và bộ phận chuyển động. Làm hỏng hay cuộn rối dây dẫn làm tăng nguy cơ bị điện giật.
- ▶ **Khi sử dụng dụng cụ điện cầm tay ngoài trời, dùng dây nối thích hợp cho việc sử dụng ngoài trời làm giảm nguy cơ bị điện giật.** Sử dụng dây nối thích hợp cho việc sử dụng ngoài trời làm giảm nguy cơ bị điện giật.
- ▶ **Nếu việc sử dụng dụng cụ điện cầm tay ở nơi ẩm ướt là không thể tránh được, dùng thiết bị ngắt mạch tự động (RCD) bảo vệ nguồn.** Sử dụng thiết bị ngắt mạch tự động RCD làm giảm nguy cơ bị điện giật.

An toàn cá nhân

- ▶ **Hãy tỉnh táo, biết rõ mình đang làm gì và hãy sử dụng ý thức khi vận hành dụng cụ điện cầm tay.** Không sử dụng dụng cụ điện cầm tay khi đang mệt mỏi hay đang bị tác động do chất gây nghiện, rượu hay dược phẩm gây ra. Một thoáng mất tập trung khi đang vận hành dụng cụ điện cầm tay có thể gây thương tích nghiêm trọng cho bản thân.
- ▶ **Sử dụng trang bị bảo hộ cá nhân.** Luôn luôn đeo kính bảo vệ mắt. Trang bị bảo hộ như khẩu trang, giày chống trượt, nón bảo hộ, hay dụng cụ bảo vệ tai khi được sử dụng đúng nơi đúng chỗ sẽ làm giảm nguy cơ thương tật cho bản thân.
- ▶ **Phòng tránh máy khởi động bất ngờ.** Bảo đảm công tắc máy ở vị trí tắt trước khi cắm vào nguồn điện và/hay lắp pin vào, khi nhắc máy lên hay khi mang xách máy. Ngáng ngón tay vào công tắc máy để xách hay kích hoạt dụng cụ điện cầm tay khi công tắc ở vị trí mở dễ dẫn đến tai nạn.
- ▶ **Lấy mọi chìa hay khóa điều chỉnh ra trước khi mở điện dụng cụ điện cầm tay.** Khóa hay chìa còn gắn dính vào bộ phận quay của dụng cụ điện cầm tay có thể gây thương tích cho bản thân.
- ▶ **Không rướn người.** Luôn luôn giữ tư thế đứng thích hợp và thăng bằng. Điều này tạo cho việc điều khiển dụng cụ điện cầm tay tốt hơn trong mọi tình huống bất ngờ.

- ▶ **Trang phục thích hợp. Không mặc quần áo rộng lủng thụng hay mang trang sức. Giữ tóc và quần áo xa khỏi các bộ phận chuyển động.** Quần áo rộng lủng thụng, đồ trang sức hay tóc dài có thể bị cuốn vào các bộ phận chuyển động.
- ▶ **Nếu có các thiết bị đi kèm để nối máy hút bụi và các phụ kiện khác, bảo đảm các thiết bị này được nối và sử dụng tốt.** Việc sử dụng các thiết bị gom hút bụi có thể làm giảm các độc hại liên quan đến bụi gây ra.
- ▶ **Không để thói quen do sử dụng thường xuyên dụng cụ khiến bạn trở nên chủ quan và bỏ qua các quy định an toàn dụng cụ.** Một hành vi bất cẩn có thể gây ra thương tích nghiêm trọng chỉ trong tích tắc.

Sử dụng và bảo dưỡng dụng cụ điện cầm tay

- ▶ **Không được ép máy. Sử dụng dụng cụ điện cầm tay đúng loại theo đúng ứng dụng của bạn.** Dụng cụ điện cầm tay đúng chức năng sẽ làm việc tốt và an toàn hơn theo đúng tiến độ mà máy được thiết kế.
- ▶ **Không sử dụng dụng cụ điện cầm tay nếu như công tắc không tắt và mở được.** Bất kỳ dụng cụ điện cầm tay nào mà không thể điều khiển được bằng công tắc là nguy hiểm và phải được sửa chữa.
- ▶ **Rút phích cắm ra khỏi nguồn điện và/hay pin ra khỏi dụng cụ điện cầm tay nếu có thể tháo được, trước khi tiến hành bất kỳ điều chỉnh nào, thay phụ kiện, hay cất dụng cụ điện cầm tay.** Các biện pháp ngăn ngừa như vậy làm giảm nguy cơ dụng cụ điện cầm tay khởi động bất ngờ.
- ▶ **Cất giữ dụng cụ điện cầm tay không dùng tới nơi trẻ em không lấy được và không cho người chưa từng biết dụng cụ điện cầm tay hay các hướng dẫn này sử dụng dụng cụ điện cầm tay.** Dụng cụ điện cầm tay nguy hiểm khi ở trong tay người chưa được chỉ cách sử dụng.
- ▶ **Bảo quản dụng cụ điện cầm tay và các phụ kiện.** Kiểm tra xem các bộ phận chuyển động có bị sai lệch hay kẹt, các bộ phận bị rạn nứt và các tình trạng khác có thể ảnh hưởng đến sự vận hành của máy. Nếu bị hư hỏng, phải sửa chữa máy trước khi sử dụng. Nhiều tai nạn xảy ra do bảo quản dụng cụ điện cầm tay tồi.
- ▶ **Giữ các dụng cụ cất bên và sạch.** Bảo quản đúng cách các dụng cụ cất có cạnh cắt bên làm giảm khả năng bị kẹt và dễ điều khiển hơn.
- ▶ **Sử dụng dụng cụ điện cầm tay, phụ kiện, đầu cài v. v., đúng theo các chỉ dẫn này, hãy lưu ý đến điều kiện làm việc và công việc phải thực hiện.** Sự sử dụng dụng cụ điện cầm tay khác

với mục đích thiết kế có thể tạo nên tình huống nguy hiểm.

- ▶ **Giữ tay cầm và bề mặt nắm luôn khô ráo, sạch sẽ và không dính dầu mỡ.** Tay cầm và bề mặt nắm trơn trượt không đem lại thao tác an toàn và kiểm soát dụng cụ trong các tình huống bất ngờ.

Bảo dưỡng

- ▶ **Đưa dụng cụ điện cầm tay của bạn đến thợ chuyên môn để bảo dưỡng, chỉ sử dụng phụ tùng đúng chủng loại để thay.** Điều này sẽ đảm bảo sự an toàn của máy được giữ nguyên.

Hướng dẫn an toàn cho loại Máy Cưa Xoi

- ▶ **Chỉ cắm dụng cụ điện tại các bề mặt cầm nắm có cách điện, khi thực hiện một thao tác tại vị trí mà phụ kiện cắt có thể tiếp xúc với dây điện ngầm hoặc chính dây điện của thiết bị.** Phụ kiện cắt tiếp xúc với dây có điện có thể làm cho các phần kim loại hở của dụng cụ điện cầm tay có điện và có thể gây ra điện giật cho người vận hành.
- ▶ **Sử dụng các kẹp hoặc cách thực tiễn khác để cố định và đỡ phôi gia công vào sàn thao tác cố định.** Việc cầm phôi gia công bằng tay hoặc tựa người vào phôi gia công làm cho nó dễ đổ và có thể dẫn đến mất kiểm soát.
- ▶ **Đề tay tránh xa khỏi phạm vi cắt. Không được tiếp xúc với phần bên dưới vật gia công.** Tiếp xúc với lưỡi cưa có thể dẫn đến việc bị thương tích.
- ▶ **Chỉ cho máy gia công vật liệu khi máy đã hoạt động.** Nếu không làm vậy thì sẽ có nguy cơ bị giật ngược do dụng cụ cắt bị kẹt chặt trong vật gia công.
- ▶ **Đảm bảo rằng, đế đĩa đã nằm an toàn trên vật liệu trong khi cưa.** Lưỡi cưa bị kẹt chặt có thể bị gãy hay gây ra sự giật ngược.
- ▶ **Khi đã cắt xong, tắt máy và sau đó rút lưỡi cưa ra khỏi mạch cắt chỉ sau khi lưỡi cưa đã ngừng chuyển động hoàn toàn.** Thực hiện như vậy bạn có thể tránh được sự giật ngược và có thể đặt máy xuống một cách an toàn.
- ▶ **Luôn luôn đợi cho máy hoàn toàn ngừng hẳn trước khi đặt xuống.** Dụng cụ lắp vào máy có thể bị kẹt chặt dẫn đến việc dụng cụ điện cầm tay bị mất điều khiển.
- ▶ **Chỉ sử dụng lưỡi cưa còn nguyên vẹn, có tình trạng hoàn hảo.** Lưỡi cưa bị cong hay cùn có thể bị gãy, ảnh hưởng xấu đến sự cắt, và có thể gây ra sự dội ngược.
- ▶ **Không được hãm lưỡi cưa cho dừng lại bằng cách tạo lực ép lên hông lưỡi cưa sau khi tắt máy.** Lưỡi cưa có thể bị hỏng, gãy hay gây ra giật ngược.

- ▶ **Chỉ sử dụng dụng cụ điện với đế đĩa.** Khi làm việc không đế đĩa có nguy cơ bạn không thể kiểm soát dụng cụ điện.
- ▶ **Dùng thiết bị dò tìm thích hợp để xác định nếu có các công trình công cộng lắp đặt ngầm trong khu vực làm việc hay liên hệ với Cty công trình công cộng địa phương để nhờ hỗ trợ.** Dụng cụ chạm đường dẫn điện có thể gây ra hỏa hoạn và điện giật. Làm hư hại đường dẫn khí ga có thể gây nổ. Làm thủng đường dẫn nước gây hư hỏng tài sản hay có khả năng gây ra điện giật.

Mô Tả Sản Phẩm và Đặc Tính Kỹ Thuật



Đọc kỹ mọi cảnh báo an toàn và mọi hướng dẫn. Không tuân thủ mọi cảnh báo và hướng dẫn được liệt kê dưới đây có thể bị điện giật, gây cháy và / hay bị thương tật nghiêm trọng.

Xin lưu ý các hình minh họa trong phần trước của hướng dẫn vận hành.

Sử dụng đúng cách

Dụng cụ điện được thiết kế để thực hiện các đường tách và cắt trên gỗ, nhựa, kim loại, tấm sứ, cao su và tấm mỏng/HPL (Tấm mỏng áp suất cao) với một giá đỡ chắc chắn. Máy cũng thích hợp để cắt các đường thẳng và cong với góc vát đến 45°. Nên tuân thủ các khuyến nghị loại lưỡi cưa nên sử dụng.

Các bộ phận được minh họa

Việc đánh số các thành phần đã minh họa liên quan đến mô tả dụng cụ điện trên trang hình ảnh.

- (1) Núm xoay chọn trước tần suất nhịp chạy
- (2) Công tắc Tắt/Mở
- (3) Nút khóa tự chạy của công tắc Tắt/Mở
- (4) Chìa vận lục giác (5 mm)
- (5) Ống hút
- (6) Phần nối máy hút
- (7) Đế đĩa
- (8) Vít bộ phận cố định lưỡi cưa
- (9) Bánh lăn định hướng
- (10) Lưỡi cưa
- (11) Thanh bảo vệ chống tiếp xúc
- (12) Nắp che bụi để hút
- (13) Bộ phận gắn lưỡi cưa
- (14) Tay nắm (có bề mặt nắm cách điện)
- (15) Miếng chặn chống trượt^{a)}
- (16) Vít đế đĩa
- (17) Thước đo góc vuông mỏng

- (18) Thanh biên dạng bộ phận cố định đế đĩa
 - (19) Cam định vị
 - (20) Lỗ mở cho cam định vị
 - (21) Lỗ lắp vít tiêu chuẩn bộ phận cố định đế đĩa
 - (22) Lỗ lắp vít để cưa sát mép
 - (23) Cờ chỉnh đặt của dưỡng cặp cạnh
 - (24) Vít xiết của dưỡng cặp cạnh^{a)}
 - (25) Dưỡng cặp cạnh có dao cắt lỗ tròn^{a)}
 - (26) Đầu định tâm của dao cắt lỗ tròn^{a)}
- a) **Phụ tùng được trình bày hay mô tả không phải là một phần của tiêu chuẩn hàng hóa được giao kèm theo sản phẩm. Bạn có thể tham khảo tổng thể các loại phụ tùng, phụ kiện trong chương trình phụ tùng của chúng tôi.**

Thông số kỹ thuật

Cửa xoi	GST 680	
Mã số máy		3 601 EB4 0..
Công suất vào danh định	W	500
Tần suất nhịp chạy không tải n ₀	/phút	800–3100
Nhịp chạy	mm	20
Công suất cắt tối đa		
– ở gỗ	mm	68
– ở nhôm	mm	10
– ở thép (không hợp kim)	mm	3
Cắt cạnh xiên (trái/phải), tối đa.	°	45
Trọng lượng theo Qui trình EPTA-Procedure 01:2014	kg	2,0
Cấp độ bảo vệ		<input type="checkbox"/> / II

Các giá trị đã cho có hiệu lực cho điện thế danh định [U] 230 V. Đối với điện thế thấp hơn và các loại máy dành riêng cho một số quốc gia, các giá trị này có thể thay đổi.

Sự lắp vào

- ▶ **Trước khi tiến hành bất cứ việc gì trên máy, kéo phích cắm điện nguồn ra.**

Thay/Lắp Lưỡi Cưa

- ▶ **Hãy mang găng tay bảo hộ khi lắp ráp hoặc thay dụng cụ.** Dụng cụ có cạnh sắc và có thể nóng khi sử dụng lâu.

Chọn Lưỡi Cưa

Bạn sẽ tìm thấy một tổng quan các lưỡi cưa khuyến nghị ở cuối hướng dẫn vận hành. Chỉ sử dụng lưỡi cưa có trục cam (Trục T) hoặc có trục đa năng 1/4" (Trục U). Lưỡi cưa không nên dài hơn mức cần thiết đối với dự kiến cắt.

Sử dụng lưỡi cưa bản hẹp khi cưa các đường cong gắt.

Lắp lưới cửa vào (xem Hình A)

- **Vệ sinh trục của lưới cửa trước khi lắp.** Một trục bẩn có thể không được siết chặt.

Bạn hãy nối lỏng vít (8) của bộ phận cố định lưới cửa bằng chìa vạn dụng giác kèm theo dụng cụ (4).

Hãy đẩy lưới cửa (10), với răng theo hướng cắt, cho đến khi khớp vào bộ phận gắn lưới cửa (13) □.

Khi sử dụng lưới cửa, lưu ý sao cho sống lưới cửa nằm trong rãnh của bánh lăn định hướng (9).

Hãy siết chặt vít (8) bằng chìa vạn dụng giác (4) □.

- **Kiểm tra lưới cửa có được bắt chắc vào.** Lưới cửa gắn vào còn lỏng có thể rơi ra và gây thương tích.

Tháo lưới cửa (xem Hình B)

Bạn hãy nối lỏng vít (8) của bộ phận cố định lưới cửa □ và tháo lưới cửa (10) □.

Miếng chặn chống tưa (Phụ kiện) (xem Hình C)

Miếng chặn chống tưa (15) (phụ kiện) có thể giúp tránh việc cọ sần mặt trên khi cửa gỗ. Miếng chặn chống tưa có thể chỉ được sử dụng với một số loại lưới cửa nhất định và chỉ với góc cắt từ 0°. Đế đĩa (7) không được di chuyển lùi ra sau để cắt ở điểm sát mé cạnh khi cửa với miếng chặn chống tưa.

Ấn miếng chặn chống tưa (15) từ dưới vào để đĩa (7).

Hút Dăm/Bụi

Mặt bụi từ các vật liệu được sơn phủ ngoài có chứa chì trên một số loại gỗ, khoáng vật và kim loại có thể gây nguy hại đến sức khỏe con người. Dụng cụ chạm hay hít thở các bụi này có thể làm người sử dụng hay đứng gần bị dị ứng và/hoặc gây nhiễm trùng hệ hô hấp.

Một số mặt bụi cụ thể, ví dụ như bụi gỗ sồi hay đầu, được xem là chất gây ung thư, đặc biệt là có liên quan đến các chất phụ gia dùng xử lý gỗ (chất cromat, chất bảo quản gỗ). Có thể chỉ nên để thợ chuyên môn gia công các loại vật liệu có chứa amiăng.

- Cách xa ở mức có thể được, sử dụng hệ thống hút thích hợp cho loại vật liệu.
- Tạo không khí thông thoáng nơi làm việc.
- Khuyến nghị nên mang mặt nạ phòng độc có bộ lọc cấp P2.

Tuân thủ các qui định của quốc gia bạn liên quan đến loại vật liệu gia công.

- **Tránh không để rác tích tụ tại nơi làm việc.** Rác có thể dễ dàng bắt lửa.

Nắp che bụi

Hãy lắp nắp che bụi (12), trước khi bạn kết nối dụng cụ điện với thiết bị hút bụi.

Hãy đặt nắp che bụi (12) lên dụng cụ điện, sao cho giá đỡ khớp vào các khe của vỏ.

Hãy tháo nắp che bụi (12) để làm việc không thiết bị hút bụi cũng như để cắt vát. Hãy ấn nắp chụp ở mức chiều cao của giá đỡ ngoài và kéo về phía trước.

Nối Thiết Bị Hút Bụi

Cắm ống hút (5) (phụ kiện) vào phần nối máy hút (6). Nối ống hút (5) với một chiếc máy hút bụi (phụ kiện).

Ở phần cuối của tài liệu hướng dẫn này bạn sẽ tìm thấy phần tổng quan về việc kết nối ở các máy hút bụi khác nhau.

Hãy lắp tấm chắn mảnh vụn để hút tối ưu theo khả năng có thể (15).

Máy hút bụi phải thích hợp dành cho loại vật liệu đang gia công.

Khi hút bụi khô loại đặc biệt gây nguy hại đến sức khỏe hoặc gây ra ung thư, hãy sử dụng máy hút bụi loại chuyên dụng.

Vận Hành**Chế độ hoạt động**

- **Trước khi tiến hành bất cứ việc gì trên máy, kéo phích cắm điện nguồn ra.**

Điều chỉnh góc mòng (xem hình D)

Đế đĩa (7) có thể xoay phải hoặc trái đến 45° để thực hiện những nhát cắt vát.

Không được sử dụng miếng đệm chống tưa (15) khi cắt vát.

- Tháo miếng chặn chống tưa (15).
- Nối lỏng ốc vít (16) và đẩy đế đĩa (7) nhẹ nhàng về hướng dây điện.
- Để điều chỉnh góc mòng chính xác, đế đĩa bên phải và bên trái có các khắc chốt ở 0° và 45°. Hãy xoay đế đĩa (7) theo thước đo (17) tới vị trí mong muốn. Các góc mòng khác có thể điều chỉnh bằng cách sử dụng thước đo góc.
- Sau đó, hãy đẩy đế đĩa (7) về hướng lưới cửa cho đến khi dừng lại (10).
- Siết chặt vít (16) lại.

Sử dụng đế đĩa (xem Hình E)

Để cắt sát mép, bạn có thể đặt lưới cửa (7) lùi về phía sau.

Hãy tháo hoàn toàn vít (16) bằng chìa vạn dụng giác (4). Hãy tháo vít bằng thanh biên dạng (18).

Hãy nhấc đế đĩa ra (7). Di chuyển đế đĩa theo hướng cấp điện, sao cho lỗ vít đế cửa sát mép (22) nằm trên lỗ bắt bu-lông trong vỏ của dụng cụ điện. Các cam định vị (19) phải khớp đồng thời trong lỗ (20) của đế đĩa. Hãy đặt vít (16) với thanh biên dạng (18) vào lỗ bắt bu-lông và siết chặt vít.

Chỉ có thể sử dụng lưới cửa có đế đĩa lắp sẵn (7) với góc mòng 0°. Ngoài ra, không được sử dụng

dưỡng cặp cạnh có dao cắt lỗ tròn (25) (phụ kiện) cũng như miếng chặn chống tưa (15).

Bắt Đầu Vận Hành

- ▶ **Hãy cẩn thận với nguồn điện! Điện thế của nguồn điện cung cấp phải tương ứng với số liệu ghi trên nhãn loại máy của thiết bị điện. Dụng cụ điện được ghi 230 V cũng có thể được vận hành ở 220 V.**

Bật/Tắt

- ▶ **Hãy đảm bảo rằng, bạn có thể nhấn Công tắc bật/tắt, mà không cần nhả tay nắm.**

Để **bật** dụng cụ điện cầm tay, bạn hãy nhấn công tắc bật/tắt (2).

Để **khóa** công tắc bật/tắt (2), hãy bấm giữ công tắc và ấn thêm cơ cấu khóa (3).

Để **tắt** dụng cụ điện cầm tay hãy nhả công tắc bật/tắt (2). Khi công tắc bật/tắt bị khóa (2) hãy nhấn nó và sau đó nhả ra.

Chọn Trước Tần Suất Nhịp Chạy

Với núm vận điều chỉnh tốc độ nhịp cửa (1), bạn có thể chọn trước tốc độ này và thay đổi trong khi đang vận hành thiết bị.

Tần suất nhịp chạy cần có tốt nhất tùy thuộc vào loại vật liệu và điều kiện làm việc và có thể xác định thông qua việc chạy thử thực tế.

Khuyến nghị nên làm giảm tần suất nhịp chạy khi lưỡi cửa bắt đầu ăn vào vật liệu cũng như khi cửa nhựa mờ hay nhôm.

Số hành trình có thể điều chỉnh trong sáu cấp độ cho phép điều chỉnh tối ưu tốc độ cắt cho phép, công suất cắt và hình ảnh cắt phù hợp với vật liệu cần gia công.

Cấp độ	Số hành trình khoảng (/phút)	Ứng dụng/vật liệu
1	800	Kim loại
2	1300	Kim loại, đoạn cắt cong hẹp
3	1800	đoạn cắt cong hẹp
4	2200	Đoạn cắt cong
5	2600	Đoạn cắt cong
6	3000	Đoạn tiêu chuẩn, cắt nhanh

Sau một thời gian dài vận hành với tần suất nhịp chạy thấp, máy có thể bị nóng lên đáng kể. Tháo lưỡi cửa ra khỏi máy và làm cho máy nguội xuống bằng cách cho chạy với tần suất nhịp chạy tối đa trong khoảng 3 phút.

Hướng Dẫn Sử Dụng

- ▶ **Trước khi tiến hành bất cứ việc gì trên máy, kéo phích cắm điện nguồn ra.**
- ▶ **Tắt dụng cụ điện ngay nếu lưỡi cửa bị chặn.**

- ▶ **Khi gia công các vật liệu nhỏ hay mỏng, luôn luôn sử dụng vật dụng kê đỡ chắc chắn hay bàn mộc để cửa (phụ tùng).**

Cửa xoi được thiết kế chủ yếu để cắt cong. Trong phạm vi **Bosch** cũng gồm phụ kiện cho phép cắt thẳng hoặc cắt tròn (tùy theo model cửa xoi ví dụ dưỡng cặp cạnh, ray dẫn hướng hoặc máy cắt tròn).

Cửa xoi cầm tay thường có xu hướng "Chạy", có nghĩa là góc và độ chính xác cắt có thể không còn được đảm bảo. Các yếu tố ảnh hưởng chính đến độ chính xác là độ dày của lưỡi cửa, độ dài của vết cắt và mật độ vật liệu và độ dày của phôi.

Do đó, bạn phải luôn kiểm tra các vết cắt thử nghiệm xem kết quả cắt của hệ thống đã chọn có tương ứng với các yêu cầu ứng dụng của bạn hay không.

Kiểm tra phát hiện dị vật như kim, ốc vít các loại trước khi cửa trên gỗ thịt, gỗ ép, vật liệu xây dựng v.v. và loại bỏ chúng nếu cần.

Cắt xọc (xem hình F)

- ▶ **Chỉ được gia công các vật liệu mềm như gỗ, tấm vừa trong quy trình cửa chìm!**

Để cắt xọc, chỉ sử dụng lưỡi cửa ngắn. Chỉ có thể cắt xọc với góc mộng là 0°.

Hãy đặt dụng cụ chạy điện với cạnh trước của đế đĩa (7) lên chi tiết gia công mà không để lưỡi cửa (10) chạm vào chi tiết đó rồi bật dụng cụ. Đối với dụng cụ điện có bộ phận kiểm soát tốc độ nhịp chạy, chỉnh đặt ở tốc độ nhịp chạy tối đa. Khiến dẫn dụng cụ điện thật chắc tay xuống vật gia công và để cho lưỡi cửa từ từ đâm xọc vào vật gia công. Ngay khi đế đĩa (7) gần chạm vào dụng cụ, hãy cửa tiếp dọc theo đường cắt mong muốn.

Dưỡng cặp cạnh có dao cắt lỗ tròn (phụ kiện)

Để làm việc với dưỡng cặp cạnh có dao cắt lỗ tròn (25) (phụ kiện), vật liệu gia công chỉ được phép dày tối đa là 30 mm.

Cắt song song (xem hình G): Nới lỏng vít xiết (24) và đẩy thước đo dưỡng cặp cạnh bằng ray (23) trên đế đĩa. Chỉnh đặt độ rộng muốn có giống như trị số trên thước chia độ trên biên trong của cạnh đế đĩa. Vặn chặt vít xiết (24).

Cắt tròn (xem hình H): Khoan một lỗ trên đường cắt bên trong vòng tròn cần cửa đủ để đưa lưỡi cửa vào. Gia công lỗ bằng máy phay hoặc đĩa đế lưỡi cửa có thể nằm chính xác trên đường cắt.

Đặt vít xiết (24) lên mặt khác của dưỡng cặp cạnh. Đẩy thước đo của dưỡng cặp cạnh dọc ray dẫn hướng (23) vào đế đĩa. Khoan một lỗ giữa tâm vật gia công nằm trong phân bị cửa. Cắm đầu định tâm (26) vào lỗ trong của dưỡng cặp cạnh và lỗ đã khoan. Chỉnh đặt khoảng cách của bán kính giống như trị số của thước chia độ trên biên trong của cạnh đế đĩa. Vặn chặt vít xiết (24).

Dung dịch làm mát/Bôi trơn

Khi cửa kim loại vật liệu gia công bị nóng lên, do đó; nên bôi dung dịch làm mát/bôi trơn dọc theo đường cắt.

Bảo Dưỡng và Bảo Quản**Bảo Dưỡng Và Làm Sạch**

- ▶ **Trước khi tiến hành bất cứ việc gì trên máy, kéo phích cắm điện nguồn ra.**
- ▶ **Để được an toàn và máy hoạt động đúng chức năng, luôn luôn giữ máy và các khe thông gió được sạch.**

Nếu như cần phải thay dây dẫn điện thì công việc này phải do hãng **Bosch**, hay một đại lý được **Bosch** ủy nhiệm thực hiện để tránh gặp sự nguy hiểm do mất an toàn.

Làm sạch phần lắp lưới cửa thường xuyên. Để thực hiện, lấy lưới cửa trong máy ra và gõ nhẹ máy xuống chỗ có bề mặt phẳng.

Máy bị quá đơ có thể làm cho sự hoạt động bị trục trặc. Không cửa các vật liệu sinh nhiều bụi từ bên dưới hoặc phía trên đầu.

- ▶ **Luôn sử dụng thiết bị hút nếu có khả năng khi vận hành dụng cụ trong điều kiện khắc nghiệt. Thường xuyên thổi sạch các khe thông gió và lắp đặt thiết bị ngắt mạch tự động (PRCD).** Khi gia công kim loại, các loại hạt bụi dẫn điện có thể lọt vào trong dụng cụ điện. Toàn bộ sự cách điện của dụng cụ điện có thể bị mất tác dụng.

Nếu bị bụi bịt kín, hãy tắt dụng cụ, tháo bầu hút bụi ra, làm sạch bụi và mùn cửa.

Thi thoảng, bôi trơn bánh lăn định hướng (9) với một giọt dầu.

Thường xuyên kiểm tra bánh lăn định hướng (9). Nếu bị mòn, phải đưa đến đại lý bảo hành-bảo trì do **Bosch** ủy nhiệm để thay.

Dịch vụ hỗ trợ khách hàng và tư vấn sử dụng

Bộ phận phục vụ hàng sau khi bán của chúng tôi trả lời các câu hỏi liên quan đến việc bảo dưỡng và sửa chữa các sản phẩm cũng như phụ tùng thay thế của bạn. Sơ đồ mô tả và thông tin về phụ tùng thay thế cũng có thể tra cứu theo dưới đây:

www.bosch-pt.com

Đội ngũ tư vấn sử dụng của Bosch sẽ giúp bạn giải đáp các thắc mắc về sản phẩm và phụ kiện.

Trong tất cả các phản hồi và đơn đặt phụ tùng, xin vui lòng luôn luôn nhập số hàng hóa 10 chữ số theo nhãn của hàng hóa.

Việt Nam

CN CÔNG TY TNHH BOSCH VIỆT NAM TẠI
TP.HCM
Tầng 14, Ngôi Nhà Đức, 33 Lê Duẩn

Phường Bến Nghé, Quận 1, Thành Phố Hồ Chí Minh

Tel.: (028) 6258 3690

Fax: (028) 6258 3692 - 6258 3694

Hotline: (028) 6250 8555

Email: tuvankhachhang-pt@vn.bosch.com

www.bosch-pt.com.vn

www.baohanhbosch-pt.com.vn

Xem thêm địa chỉ dịch vụ tại:

www.bosch-pt.com/serviceaddresses

Sự thải bỏ

Máy, linh kiện và bao bì phải được phân loại để tái chế theo hướng thân thiện với môi trường.



Không được thải bỏ dụng cụ điện vào chung với rác sinh hoạt!

مخصص للاستعمال الخارجي من خطر الصدمات الكهربائية.

- إن لم يكن بالإمكان تجنب تشغيل العدة الكهربائية في الأجواء الرطبة، فاستخدم مفتاح للوقاية من التيار المتخلف. إن استخدام مفتاح للوقاية من التيار المتخلف يقلل خطر الصدمات الكهربائية.

أمان الأشخاص

- كن يقظا وانتبه إلى ما تفعله واستخدم العدة الكهربائية بتعقل. لا تستخدم عدة كهربائية عندما تكون متعبا أو عندما تكون تحت تأثير المخدرات أو الكحول أو الأدوية. عدم الانتباه للحظة واحدة عند استخدام العدة الكهربائية قد يؤدي إلى إصابات خطيرة.
- قم لارتداء تجهيزات الحماية الشخصية. وارتد دائما نظارات واقية. يحد ارتداء تجهيزات الحماية الشخصية، كقناع الوقاية من الغبار وأحذية الأمان الواقية من الانزلاق والحد أو واقية الأذنين، حسب ظروف استعمال العدة الكهربائية، من خطر الإصابة بجروح.

- تجنب التشغيل بشكل غير مقصود. تأكد من كون العدة الكهربائية مطفأة قبل توصيلها بالتيار الكهربائي و/أو بالمركب، وقبل رفعها أو حملها. إن كنت تضع إصبعك على المفتاح أثناء حمل العدة الكهربائية أو إن وصلت الجهاز بالشبكة الكهربائية بينما لا مفتاح على وضع التشغيل، قد يؤدي إلى وقوع الحوادث.

- انزع أداة الضبط أو مفتاح الربط قبل تشغيل العدة الكهربائية. قد تؤدي الأداة أو المفتاح المتواجد في جزء دوار من الجهاز إلى الإصابة بجروح.

- تجنب أوضاع الجسم غير الطبيعية. قف بأمان وحافظ على توازنك دائما. سيسمح لك ذلك بالتمكّن في الجهاز بشكل أفضل في الموافف الغير متوقعة.

- قم بارتداء ثياب مناسبة. لا ترتد الثياب الفضفاضة أو الحللى. احرص على إبقاء الشعر والملابس بعيدا عن الأجزاء المتحركة. قد تشابك الثياب الفضفاضة والحلى والشعر الطويل بالأجزاء المتحركة.

- إن جاز تركيب تجهيزات شفت وتجميع الغبار، فتأكد من أنها موصولة وبأنه يتم استخدامها بشكل سليم. قد يقلل استخدام تجهيزات لشفت الغبار من المخاطر الناتجة عن الغبار.

- لا تستخدم العدة الكهربائية بلا مبالاة وتتجاهل قواعد الأمان الخاصة بها نتيجة لتعودك على استخدام العدة الكهربائية وكثرة استخدامها. فقد يتسبب الاستخدام دون حرص في حدوث إصابة بالغة تحدث في أجزاء من الثانية.

- حسن معاملة واستخدام العدد الكهربائية لا تفرط بتحميل الجهاز. استخدم لتنفيذ أشغالك العدة الكهربائية المخصصة لذلك. إنك تعمل بشكل أفضل وأكثر أمنا بواسطة العدة الكهربائية الملائمة في مجال الأداء المذكور.
- لا تستخدم العدة الكهربائية إن كان مفتاح تشغيلها تالف. العدة الكهربائية التي لم يعد من

عربي

إرشادات الأمان

الإرشادات العامة للأمان بالعدد الكهربائية

- تحذير** اطلع على كافة تحذيرات الأمان والتعليمات والصور والمواصفات المرفقة بالعدة الكهربائية. عدم اتباع التعليمات الواردة أدناه قد يؤدي إلى حدوث صدمة كهربائية، إلى نشوب حريق و/أو الإصابة بجروح خطيرة.

احتفظ بجميع الملاحظات التحذيرية والتعليمات للمستقبل.

يقصد بمصطلح «العدة الكهربائية» المستخدم في الملاحظات التحذيرية، العدد الكهربائية الموصولة بالشبكة الكهربائية (بواسطة كابل الشبكة الكهربائية) وأيضاً العدد الكهربائية المزودة بمركب (دون كابل الشبكة الكهربائية).

الأمان بمكان الشغل

- حافظ على نظافة مكان شغلك وإضاءة بشكل جيد. الفوضى في مكان الشغل ونطاقات العمل غير المضاعة قد تؤدي إلى وقوع الحوادث.
- لا تشتغل بالعدة الكهربائية في نطاق معرض لخطر الانفجار مثل الأماكن التي تتوفر فيه السوائل أو الغازات أو الأبخرة القابلة للاشتعال. العدد الكهربائية تولد شررا قد يتطاير، فيشعل الأبخرة والأبخرة.
- حافظ على بقاء الأطفال وغيرهم من الأشخاص بعيدا عندما تستعمل العدة الكهربائية. تشتيت الانتباه قد يتسبب في فقدان السيطرة على الجهاز.

الأمان الكهربائي

- يجب أن يتلائم قابس العدة الكهربائية مع المقبس. لا يجوز تغيير القابس بأي حال من الأحوال. لا تستعمل القوايس المهينة مع العدد الكهربائية المؤرّضة (ذات طرف أرضي). تخفّض القوايس التي لم يتم تغييرها والمقابس الملائمة من خطر الصدمات الكهربائية.
- تجنب ملامسة جسمك للأسطح المؤرّضة كالأنابيب والمبردات والمواقد أو التلّاجات. يزداد خطر الصدمات الكهربائية عندما يكون جسمك مؤرض أو موصول بالأرضي.
- أبعد العدة الكهربائية عن الأمطار أو الرطوبة. يزداد خطر الصدمات الكهربائية إن تسرب الماء إلى داخل العدة الكهربائية.
- لا تسيّ استعمال الكابل. لا تستخدم الكابل في حمل العدة الكهربائية أو سحبها أو سحب القابس من المقبس. احرص على إبعاد الكابل عن الحرارة والزيت والحواف الحادة أو الأجزاء المتحركة. تزيد الكابلات التالفة أو المتشابكة من خطر الصدمات الكهربائية.
- عند استخدام العدة الكهربائية خارج المنزل اقتصر على استخدام كابلات التمديد الصالحة للاستعمال الخارجي. يقلل استعمال كابل تمديد

- ◀ أبعد يديك عن مجال النشر. لا تقبض بيديك إلى ما تحت قطعة الشغل. إن ملامسة نصل المنشار يؤدي إلى تشكل مخاطر الإصابة بجروح.
- ◀ وجه العدة الكهربائية نحو قطعة الشغل فقط عندما تكون في حالة التشغيل. قد يتشكل خطر الصدمات الارتدادية إن تكلبت عدة الشغل في قطعة الشغل.
- ◀ انتبه إلى ارتكاز صفيحة القاعدة بأمان أثناء النشر. إن نصل المنشار المنقمت قد يكسر أو قد يؤدي إلى صدمة ارتدادية.
- ◀ اطفئ العدة الكهربائية بعد إنهاء عملية الشغل ولا تسحب نصل المنشار عن القطع إلا بعد أن يتوقف عن الحركة. إنك ستتنجب الصدمة الارتدادية بذلك وستتمكن من ركن العدة الكهربائية بأمان.
- ◀ انتظر إلى أن تتوقف العدة الكهربائية عن الحركة قبل أن تضعها جانباً. قد تتكلم عدة الشغل فتؤدي إلى فقدان السيطرة على العدة الكهربائية.
- ◀ استخدم فقط نصال المنشار الغير تالفة والسليمة تماما. إن نصال المنشار الملتوية أو الكليية قد تنكسر أو تؤثر سلبا على القطع أو قد تتسبب بصدمة ارتدادية.
- ◀ لا تكبح حركة نصل المنشار بعد الإطفاء بضغط جانبي معاكس. قد يتلف نصل المنشار أو يكسر أو يسبب صدمة ارتدادية.
- ◀ لا تستخدم العدة الكهربائية إلا مع صفيحة قاعدة. عند العمل دون صفيحة قاعدة هناك خطر ألا تستطيع التحكم في العدة الكهربائية.
- ◀ استخدم أجهزة تنقيب ملائمة للعثور على خطوط الأمداد غير الظاهرة، أو استعن بشركة الأمداد المحلية. ملامسة الخطوط الكهربائية قد تؤدي إلى اندلاع النار وإلى الصدمات الكهربائية. حدوث أضرار ببط الغاز قد يؤدي إلى حدوث انفجارات. اختراق خط الماء بشكل الأضرار المادية أو قد يؤدي إلى الصدمات الكهربائية.

وصف المنتج والأداء

اقرأ جميع إرشادات الأمان والتعليمات. ارتكاب الأخطاء عند تطبيق إرشادات الأمان والتعليمات، قد يؤدي إلى حدوث صدمات الكهربائية أو إلى نشوب الحرائق و/أو الإصابة بجروح خطيرة.



يرجى الرجوع إلى الصور الموجودة في الجزء الأول من دليل التشغيل.

الاستعمال المخصص

العدة الكهربائية على القاعدة الثابتة مخصصة لتنفيذ القطوع الفاصلة وعمل الفتحات في الخشب واللبلاستيك والمعادن والصفايح الخزفية والمطاط والصفايح/HPL (صفايح الضغط العالي). وتصلح لإجراء القطوع المستقيمة والمنحنية بزواوية شطب حتى 45°.

تراجع النصائح الخاصة بشفرات المنشار.

- الممكن التحكم بها عن طريق مفتاح التشغيل والإطفاء تعتبر خطيرة ويجب أن يتم إصلاحها.
- ◀ اسحب القابس من المقبس و/أو اخلع المركم، إذا كان قابلا للخلع، قبل ضبط الجهاز وقبل استبدال الملحقات أو قبل تخزين الجهاز. تمنع هذه الإجراءات وقائية تشغيل العدة الكهربائية بشكل غير مقصود.
- ◀ احتفظ بالعدد الكهربائية التي لا يتم استخدامها بعيدا عن متناول الأطفال. لا تسمح باستخدام العدة الكهربائية لمن لا خبرة له بها أو لمن لم يقرأ تلك التعليمات. العدد الكهربائية خطيرة إن تم استخدامها من قبل أشخاص دون خبرة.
- ◀ اعتن بالعدة الكهربائية والملحقات بشكل جيد. تأكد أن أجزاء الجهاز المتمركبة مركبة بشكل سليم وغير مستعصبة عن الحركة، وتفحص ما إن كانت هناك أجزاء مكسورة أو في حالة تؤثر على سلامة أداء العدة الكهربائية. ينبغي إصلاح هذه الأجزاء التالفة قبل إعادة تشغيل الجهاز. الكثير من الحوادث مصدرها العدد الكهربائية التي تتم صيانتها بشكل رديء.
- ◀ احرص على إبقاء عدد القطع نظيفة وحادة. إن عدد القطع ذات حواف القطع المادة التي تم صيانتها بعناية تتكلم بشكل أقل ويمكن توجيهها بشكل أيسر.
- ◀ استخدم العدد الكهربائية والتوابع وريش الشغل إلخ. وفقا لهذه التعليمات. تراعى أثناء ذلك ظروف الشغل والعمل المراد تنفيذه. استخدام العدد الكهربائية لغير الأشغال المخصصة لأجلها قد يؤدي إلى حدوث الحلات الخطيرة.
- ◀ احرص على إبقاء المقابض وأسطح المسك جافة ونظيفة وخالية من الزيوت والشحوم. المقابض وأسطح المسك الزلقة لا تتبع التشغيل والتحكم الأمان في العدة في المواقف غير المتوقعة.

الخدمة

- ◀ احرص على إصلاح عدتك الكهربائية فقط بواسطة العمال المتخصصين وباستعمال قطع الغيار الأصلية فقط. يضمن ذلك المحافظة على أمان الجهاز.

تعليمات الأمان لمناشير قطع النماذج/ المنحنيات

- ◀ أمسك العدة الكهربائية من أسطح المسك المعزولة عند القيام بأعمال قد يترتب عليها ملامسة ملحقات القطع لأسلاك كهربائية غير ظاهرة أو للسلك الخاص بالعدة نفسها. ملامسة ملحقات القطع لسلك «مكهرب» قد يتسبب في مرور التيار في الأجزاء المعدنية من العدة وجعلها «مكهربة» مما قد يصيب المشغل بصدمة كهربائية.
- ◀ استخدم قامطات أو طريقة عملية أخرى لتأمين قطعة الشغل وتدعيمها على منصة ثابتة. مسك قطعة الشغل بيديك أو سندها على جسمك يجعلها غير ثابتة وقد يؤدي إلى فقدان السيطرة.

منشار الأركت GST 680

الوزن حسب كجم	2,0
EPTA-Procedure 01:2014	

فئة الحماية	II/□
تسري البيانات على جهد اسمي [U] يبلغ 230 فولت. قد تختلف تلك البيانات حسب اختلاف الجهد والطرزات الخاصة بكل دولة.	

التركيب

◀ اسمب القابس من مقبس الشبكة الكهربائية قبل إجراء أي عمل على العدة الكهربائية.

تركيب/استبدال نصل المنشار

◀ احرص أثناء تركيب العدة الكهربائية أو تغييرها على ارتداء قفازات حماية. عدد الشغل حادة وقد تسخن عند الاستخدام لفترة طويلة.

اختيار نصل المنشار

تجد في نهاية هذا الدليل عرضا عاما لأنصال المنشار الموصى بها. اقتصر على استخدام أنصال المناشير ذات رقية التثبيت الأحادية (النصل T) أو ذات الساق الشامل 1/4 بوصة (النصل U). ينبغي ألا يزيد طول نصل المنشار عن الطول المطلوب لإداء عملية القص المرغوبة.

استخدم نصل منشار رقيق من أجل نشر المنعطفات الضيقة.

تركيب شفرة المنشار (انظر الصورة A)

◀ قم بتنظيف ساق نصل المنشار قبل الاستخدام. لا يمكن تثبيت ساق متسخة بشكل آمن.

قم بفك اللولب (8) الخاص بتثبيت شفرة المنشار باستخدام المفتاح سداسي الرأس المجوف (4) المورد.

قم بتحريك شفرة المنشار (10)، بحيث تكون الأسنان في اتجاه القطع، في حاضن المنشار حتى النهاية (13).

1 احرص عند تركيب نصل المنشار على أن يستقر ظهر نصل المنشار في حز بكرة التوجيه (9).
أحكام ربط اللولب (8) باستخدام المفتاح سداسي الرأس المجوف (4) e.

◀ تفحص إحكام ثبات نصل المنشار. إن نصل المنشار الغير ثابت قد يسقط ليصيبك بجروح.

إخراج شفرة المنشار (انظر الصورة B)

قم بحل اللولب (8) الخاص بتثبيت شفرة المنشار 1 وأخرج شفرة المنشار (10) e.

واقية تمزق الأسطح الخارجية (توابع) (انظر الصورة C)

يمكن لواقية تمزق النشارة (15) (ملحق تكميلي) منع اقتلاع السطح الخارجي أثناء نشر الخشب. لا يمكن استخدام واقية تمزق النشارة إلا مع أنواع أنصال منشار محددة ومع زاوية قطع 90°. لا يسمح بنقل صفيحة القاعدة (7) إلى الخلف أثناء النشر مع استخدام واقية تمزق النشارة للنشر بالقرب من الحواف.

الأجزاء المصورة

يشير ترقيم الأجزاء المصورة إلى الصورة المعروضة للعدة الكهربائية في صفحة الرسوم.

- (1) طارة ضبط عدد الأشواط مسبقا
 - (2) مفتاح التشغيل والإطفاء
 - (3) تثبيت مفتاح التشغيل والإطفاء
 - (4) مفتاح سداسي الرأس المجوف (5 مم)
 - (5) خرطوم الشفط
 - (6) فوهة الشفط
 - (7) صفيحة القاعدة
 - (8) لولب تثبيت شفرة المنشار
 - (9) بكرة التوجيه
 - (10) شفرة المنشار
 - (11) واقية للمس
 - (12) غطاء حماية للشفط
 - (13) حاضن شفرة المنشار
 - (14) مقبض (سطح قبض معزول)
 - (15) واقية تمزق الأسطح الخارجية^(a)
 - (16) لولب صفيحة القاعدة
 - (17) مقياس زوايا الشطب المائلة
 - (18) شريط مجسم لتثبيت صفيحة القاعدة
 - (19) كامرة تحديد الموضع
 - (20) فتحة كامرة تحديد الموضع
 - (21) ثقب اللولب القياسي لتثبيت صفيحة القاعدة
 - (22) ثقب اللولب المخصص للنشر بالقرب من الحواف
 - (23) موجة مصد التوازي
 - (24) لولب تثبيت مصد التوازي^(a)
 - (25) مصد التوازي المزود بأداة قطع مستديرة^(a)
 - (26) طرف تمرکز أداة القطع المستديرة^(a)
- (a) لا يتضمن إطار التوريد الاعتيادي التوابع المصورة أو المشروحة. تجد التوابع الكاملة في برنامجنا للتوابع.

البيانات الفنية

منشار الأركت GST 680		رقم الصنف
3 601 EB4 0..		قدرة الدخل الاسمية
500	واط	عدد اللفات اللاحملي n ₀
3100-800	شوط/ دقيقة	الشوط
20	مم	عمق القطع الأقصى
		- في الخشب
68	مم	- في الألومنيوم
10	مم	- في الفولاذ (غير المسبوك)
3	مم	زاوية القطع القصوى (يسار/يمين)
45	°	

لا يمكن تركيب واقية تمزق النشارة (15) عند القيام بقطعو الشطب المائل.

- اخلع واقية النشارة (15).
- قم بحل اللولب (16) وحرك صفيحة القاعدة (7) برفق في اتجاه كابل الكهرياء.
- لضبط زاوية شطب مائل دقيقة يوجد بصفيحة القاعدة على اليمين وعلى اليسار نقاط تثبيت عند الزاوية 0° و 45°. قم بتمريك صفيحة القاعدة (7) طبقاً للتدريج (17) إلى الوضع المرغوب. يمكن ضبط زوايا شطب مائلة أخرى بواسطة منقلة.
- حرك بعد ذلك صفيحة القاعدة (7) في اتجاه شفرة المنشار حتى النهاية (10).
- أحكم ربط اللولب (16) مرة أخرى.

تمريك صفيحة القاعدة (انظر الصورة E)

يمكنك نقل صفيحة القاعدة (7) إلى الخلف عند النشر بالقرب من الحواف.

قم بفك اللولب (16) بشكل كامل باستخدام المفتاح سداسي الرأس المجوف (4). اخلع اللولب مع الشريط المجسم (18).

ارفع صفيحة القاعدة (7). حرك صفيحة القاعدة في اتجاه كابل الكهرياء، بحيث يوجد ثقب اللولب المخصص للنشر بالقرب من الحواف (22) أعلى تجويف القلاووظ في جسم العدة الكهريائية. يجب أن تثبت كامة تمديد الموضع (19) في نفس الوقت في الفتحة (20) الخاصة بصفيحة القاعدة. أدخل اللولب (16) مع الشريط المجسم (18) في تجويف القلاووظ واربط اللولب بإحكام.

لا يمكن النشر بعد نقل صفيحة القاعدة (7) إلا بزاوية قطع شطب مائل 0°. علاوة على ذلك لا يجوز استخدام مصد التوازي المزود بأداة قطع مستديرة (25) (توابع) بالإضافة إلى واقية البرادة (15).

بدء التشغيل

◀ يراعى جهد الشبكة الكهريائية! يجب أن يتطابق جهد منبع التيار مع المعلومات المذكورة على لافتة طراز العدة الكهريائية. يمكن أن يتم تشغيل العدد الكهريائية المميزة بعلامة 230 فلت في مقبس 220 فلت أيضاً.

التشغيل والإيقاف

◀ تأكد أنه بإمكانك الضغط على زر التشغيل/الإيقاف دون ترك المقبض اليدوي.

لغرض تشغيل العدة الكهريائية، اضغط على مفتاح التشغيل/الإطفاء (2).

لغرض تثبيت مفتاح التشغيل/الإطفاء (2) احتفظ به مضغوطاً واضغط على القفل أيضاً (3).

لغرض إطفاء العدة الكهريائية، اترك مفتاح التشغيل/الإطفاء (2). في حالة ثبات زر التشغيل/الإطفاء (2)، اضغط عليه أولاً ثم اتركه بعد ذلك.

اختيار عدد الأشواط مسبقاً

يمكنك أن تضبط عدد الأشواط مسبقاً وأن تغيره أثناء التشغيل بواسطة طارة الضبط المسبق لعدد الأشواط (1).

اضغط واقية البرادة (15) من أسفل في صفيحة القاعدة (7).

شفط الغبار/النشارة

إن غبار بعض المواد كالتلا، الذي يحتوي على الرصاص، وبعض أنواع الخشب والفلزات والمعادن، قد تكون مضرّة بالصحة. إن ملامسة أو استنشاق غبار قد يؤدي إلى أعراض حساسية و/أو إلى أمراض الجهاز التنفسي لدى المستخدم أو لدى الأشخاص المتواجدين على مقربة من المكان.

تعتبر بعض الأغبرة المعينة، كأغبرة البلوط والزان، مسببة للسرطان، ولا سيما عند الارتباط بالمواد الإضافية لمعالجة الخشب (ملع جامض الكروميك، المواد الحافظة للخشب). يجوز أن يتم معالجة المواد التي تحتوي على الأسبستوس من قبل العمال المتخصصين فقط دون غيرهم.

- استخدم شافطة غبار ملائمة للمادة قدر الإمكان.
- حافظ على تهوية مكان الشغل بشكل جيد.
- ينصح بارتداء قناع وقاية للتنفس بئة المرشح P2. تراعى الأحكام السارية في بلدكم بالنسبة للمواد المرغوب معالجتها.

◀ تجنب تراكم الغبار بمكان العمل. يجوز أن تشتعل الأغبرة بسهولة.

غطاء الحماية

قم بتركيب غطاء الحماية (12)، قبل توصيل العدة الكهريائية بتجهيزة شفط الغبار.

قم بتركيب غطاء الحماية (12) على العدة الكهريائية بحيث تتعشق مواضع التثبيت في تجاويف العلبة.

اخلع غطاء الحماية (12) للعمل بدون تجهيزة شفط الغبار ولعمل قطعو الشطب المائل. لتنفيذ ذلك يضغط على الغطاء من الجانبين على ارتفاع الحاملين الخارجيين ثم يسحب عن العدة الكهريائية نحو الأمام.

وصل شافطة غبار خوائية

قم بتركيب خرطوم الشفط (5) (ملحق تكميلي) على فوهة الشفط (6). قم بتوصيل خرطوم الشفط (5) بشفاط الغبار (ملحق تكميلي).

تجد في نهاية هذا الدليل عرضاً عاماً للتوصيل بشفاطات الغبار المختلفة.

للشفط المثالي قدر الإمكان قم بتركيب واقية تمزق النشارة (15).

يجب أن تصلح شافطة الغبار الخوائية للاستعمال مع مادة الشغل المرغوب معالجتها.

استخدم شافطة غبار خوائية خاصة عند شفط الأغبرة المضرّة بالصحة أو المسببة للسرطان أو الشديدة الجفاف.

التشغيل

طرق التشغيل

◀ اسحب القابس من مقبس الشبكة الكهريائية قبل إجراء أي عمل على العدة الكهريائية.

ضبط زاوية الشطب المائل (انظر الصورة D)

يمكن تحريك صفيحة القاعدة (7) لعمل قطعو الشطب المائل بزاوية 45° إلى اليمين أو إلى اليسار.

استخدم بالنشر الغاطس نصال المنشار القصيرة فقط. يمكن القيام بالنشر الغاطس فقط عند زاوية شطب مائلة تبلغ 20°.

قم بوضع العدة الكهربائية مع الحافة الأمامية لصفحة القاعدة (7) على قطعة الشغل، مع مراعاة عدم تلامس شفرة المنشار (10) لقطعة الشغل، ثم قم بتشغيل العدة الكهربائية. غير عدد الأشواط الأقصى بالعدد الكهربائية المزودة بتحكم بعدد الأشواط. اضغط على العدة الكهربائية بقوة في قطعة الشغل، واجعل شفرة المنشار تتوغل ببطء داخل قطعة الشغل.

عندما تستقر صفيحة القاعدة (7) على قطعة الشغل بشكل مسطح تماما، واصل النشر بمحاذاة خط القطع المرغوب.

مصد التوازي المزود بأداة قطع مستديرة (ملحق تكميلي)

للعمل باستخدام مصد التوازي المزود بأداة قطع مستديرة (25) (ملحق تكميلي) يجب أن يبلغ سمك قطعة الشغل 30 مم بحد أقصى.

القطاعات المتوازية (انظر الصورة G): قم بحل لولب التثبيت (24) وتمريك تدريج مصد التوازي عبر المسار الدليلي (23) في صفيحة القاعدة. اضبط قيمة عرض القطع المرغوب على المقياس بالحافة الداخلية بصفيحة القاعدة. أحكم ربط لولب التثبيت (24).

القطوعات المستديرة (انظر الصورة H): قم بعمل ثقب على خط القطع داخل الدائرة المراد نشرها، يكفي لتمرير نصل المنشار. عالج الثقب بواسطة فارزة أو مبرد، لكي تستطيع أن تسند نصل المنشار على خط القص بتسطح.

قم بتركيب لولب التثبيت (24) على الجهة المقابلة لمصد التوازي. قم بتمريك تدريج مصد التوازي عبر المسار الدليلي (23) في صفيحة القاعدة. انقب ثقباً في قطعة الشغل بمنتصف القطعة المرغوب نشرها. قم بتمرير طرف التمرکز (26) عبر الفتحة الداخلية لمصد التوازي وفي الثقب الذي تم فتحه. اضبط قيمة القطر على المقياس بالحافة الداخلية بصفيحة القاعدة. أحكم ربط لولب التثبيت (24).

مواد التبريد/التشحيم

يفضل دهن مواد التبريد أو التشحيم على مسار خط القطع عند نشر المعادن بسبب ارتفاع حرارة المادة.

الصيانة والخدمة

الصيانة والتنظيف

◀ اسحب القابض من مقبس الشبكة الكهربائية قبل إجراء أي عمل على العدة الكهربائية.

◀ للعمل بشكل جيد وأمن حافظ دائماً على نظافة العدة الكهربائية وفتحات التهوية.

إذا تطلب الأمر استبدال خط الإمداد، فينبغي أن يتم ذلك من قبل شركة Bosch أو من قبل مركز خدمة الزبائن المعتمد لشركة Bosch للعدد الكهربائية، لتجنب التعرض للمخاطر.

نظف حاضن نصل المنشار بشكل منتظم. انزع نصل المنشار عن العدة الكهربائية لتنفيذ ذلك ثم انفض العدة الكهربائية بخفة على سطح مستو.

يتعلق عدد الأشواط المطلوب بمادة الشغل وبظروف العمل ويمكن استنتاجه من خلال التجربة العملية.

ينصح بتخفيض عدد الأشواط عند تنزيل نصل المنشار على قطعة الشغل وأيضاً عند نشر اللدائن والالمنيوم.

يسمح عدد الأشواط القابل للضبط في ست درجات بمواءمة سرعة القطع وقدرة القطع وهيئة القطع مع المادة المرغوب معالجتها بشكل مثالي.

الدرجة	عدد الأشواط نحو (شوط/دقيقة)	الاستخدام/الخامة
1	800	معدن
2	1300	معدن، أعمال قطع المنحنيات الضيقة
3	1800	أعمال قطع المنحنيات الضيقة
4	2200	أعمال قطع المنحنيات
5	2600	أعمال قطع المنحنيات
6	3000	أعمال القطع القياسية، أعمال القطع السريعة

في حالة العمل لفترة طويلة نسبياً بعدد أشواط قليل يمكن أن تسخن العدة الكهربائية بشدة. فك نصل المنشار وشغل العدة الكهربائية بعدد الأشواط الأقصى لمدة 3 دقائق تقريباً لتبريد العدة الكهربائية.

إرشادات العمل

◀ اسحب القابض من مقبس الشبكة الكهربائية قبل إجراء أي عمل على العدة الكهربائية.

◀ أوقف العدة الكهربائية على الفور في حالة تعرض نصل المنشار للانحصار.

◀ استخدم دائماً قاعدة ثابتة أو قاعدة منشار (من التوازي) عند معالجة قطع الشغل الصغيرة أو الرقيقة.

مناشير الأركت مصممة بشكل أساسي لأعمال القطع المنحنية. في تشكيلة Bosch يوجد بالإضافة إلى ذلك ملحقات تتيح القيام بالقطوع المستقيمة أو الدائرية (حساب طراز منشار الأركت على سبيل المثال مصد توازي، أو سكة توجيه، أو أداة قطع دائرية).

تميل مناشير الأركت اليدوية بشكل أساسي إلى ما يسمى «الهروب»، أي أن دقة الزوايا والقطع لن تكون موجودة أحياناً. أهم العوامل المؤثرة على الدقة هي سمك شفرة المنشار وطول القطع وسمك الخامة ومدى صلابتها بقطع الشغل.

لهذا احرص دائماً على التأكد من خلال القطوع التجريبية أن نتيجة قطع النظام المختار تطابق متطلبات الاستخدام.

افحص الخشب والوواح الخشب المضغوط ومواد البناء وما شابه قبل نشرها من حيث وجود أعراض غريبة بها كالمسامير واللواب وما شابه، وأزلها إن وجدت.

النشر الغاطس (انظر الصورة F)

◀ يجب الاقتصار على استخدام خامات لينة مثل الخشب والورق المقوى المجصص في أعمال النشر الغاطس!

قد يؤدي اتساع العدة الكهربائية بشكل شديد إلى خلل بالتشغيل. لذلك لا تقم بنشر الغامات التي ينتج عنها غبار كثيف من أسفل أو من مستوى أعلى من الرأس.

◀ **احرص دائما على استخدام وحدة شفط في ظروف العمل القاسية قدر الإمكان. قم بتنظيف فتحات التهوية عن طريق نفخ الهواء عدة مرات، و قم بتوصيل مفتاح للوقاية من التيار المتخلف (PRCD) بشكل مسبق.** قد يتسرب الغبار الموصل للكهرباء داخل العدة الكهربائية عند معالجة المعادن. قد يضر ذلك بعزل العدة الكهربائية. إذا انسد مخرج الغبار، قم بإطفاء العدة الكهربائية، واخلع تجهيزة شفط الغبار و قم بإزالة الغبار والشرارة منها. قم بتزليق بكرة التوجيه (9) من وقت لآخر باستخدام قطرة زيت. تفحص بكرة التوجيه (9) بانتظام. إن كانت مستهلكة، يجب استبدالها من قبل مركز خدمة عملاء معتمد تابع لشركة **Bosch**.

خدمة العملاء واستشارات الاستخدام

يجيب مركز خدمة العملاء على الأسئلة المتعلقة بإصلاح المنتج وصيانتته، بالإضافة لقطع الغيار. تجد الرسوم التفصيلية والمعلومات الخاصة بقطع الغيار في الموقع: www.bosch-pt.com يسر فريق Bosch لاستشارات الاستخدام مساعدتك إذا كان لديك أي استفسارات بخصوص منتجاتنا وملحقاتها. يلزم ذكر رقم الصنف ذو الخانات العشر وفقا للوحة صنع المنتج عند إرسال أية استفسارات أو طلبيات قطع غيار.

المغرب

Robert Bosch Morocco SARL
53، شارع الملازم محمد مرور
20300 الدار البيضاء
الهاتف: +212 5 29 31 43 27
البريد الإلكتروني: sav.outillage@ma.bosch.com

تجد المزيد من عناوين الخدمة تحت:

www.bosch-pt.com/serviceaddresses

التخلص من العدة الكهربائية

ينبغي تسليم العدد الكهربائية والتوابع والعبوة إلى مركز معالجة النفايات بطريقة محافظة على البيئة. لا ترم العدد الكهربائية ضمن النفايات المنزلية.



فارسی

دستورات ایمنی

نکات ایمنی عمومی برای ابزارهای برقی

⚠ هشدار

کلیه هشدارها،

دستورالعملها، تصاویر و

مشخصات ارائه شده به همراه ابزار برقی را

مطالعه کنید. اشتباهات ناشی از عدم رعایت این

دستورات ایمنی ممکن است باعث برق گرفتگی،

سوختگی و یا سایر جراحات های شدید شود.

کلیه هشدارهای ایمنی و راهنماییها را برای

آینده خوب نگهداری کنید.

عبارت «ابزار برقی» در هشدارها به ابزارهایی که به

پریز برق متصل میشوند (با سیم برق) و یا ابزارهای

برقی باتری دار (بدون سیم برق) اشاره دارد.

ایمنی محل کار

◀ محیط کار را تمیز و روشن نگه دارید.

محیطهای در هم ریخته یا تاریک احتمال بروز حادثه

را افزایش میدهند.

◀ ابزار برقی را در محیطهایی که خطر انفجار

وجود دارد و حاوی مایعات، گازها و بخارهای

مخترقه هستند، به کار نگیرید. ابزارهای برقی

چرقههایی ایجاد میکنند که میتوانند باعث آتش

گرفتن گرد و غبارهای موجود در هوا شوند.

◀ هنگام کار با ابزار برقی، کودکان و سایر

افراد را از دستگاه دور نگه دارید. در

صورتیکه حواس شما پرت شود، ممکن است

کنترل دستگاه از دست شما خارج شود.

ایمنی الکتریکی

◀ دوشاخه ابزار برقی باید با پریز برق تناسب

داشته باشد. هیچگونه تغییری در دوشاخه

ایجاد نکنید. مبدل دوشاخه نباید همراه با

ابزار برقی دارای اتصال زمین استفاده شود.

دوشاخههای اصل و تغییر داده نشده و پریزهای

مناسب، خطر برق گرفتگی را کاهش میدهند.

◀ از تماس بدنی با قطعات متصل به سیم

اتصال زمین مانند لوله، شوفاژ، اجاق برقی و

یخچال خودداری کنید. در صورت تماس بدنی با

سطوح و قطعات دارای اتصال به زمین و همچنین

تماس شما با زمین، خطر برق گرفتگی افزایش

می یابد.

◀ ابزارهای برقی را در معرض باران و رطوبت

قرار ندهید. نفوذ آب به ابزار برقی، خطر شوک

الکتریکی را افزایش میدهد.

◀ از سیم دستگاه برای مقاصد دیگر استفاده

نکنید. هرگز برای حمل ابزار برقی، کشیدن آن

یا خارج کردن دوشاخه از سیم دستگاه

استفاده نکنید. کابل دستگاه را از حرارت،

روغن، لیبهای تیز یا قطعات متحرک دور نگه

دارید. کابلهای آسیب دیده و یا گره خورده خطر

شوک الکتریکی را افزایش میدهند.

◀ هنگام استفاده از ابزار برقی در محیطهای

باز، تنها از کابل رابطی استفاده کنید که برای

محیط باز نیز مناسب باشد. کابل های رابط

مناسب برای محیط باز، خطر برق گرفتگی را کم می کنند.

◀ در صورت لزوم کار با ابزار برقی در محیط و

اماکن مرطوب، باید از یک کلید حفاظتی

جریان خطا و نشستی زمین (کلید قطع کننده

اتصال با زمین) استفاده کنید. استفاده از

کلید حفاظتی جریان خطا و نشستی زمین خطر برق

گرفتگی را کاهش می دهد.

رعایت ایمنی اشخاص

◀ حواس خود را خوب جمع کنید، به کار خود

دقت کنید و با فکر و هوشیاری کامل با ابزار

برقی کار کنید. در صورت خستگی و یا در

صورتی که مواد مخدر، الکل و دارو استفاده

کردهاید، با ابزار برقی کار نکنید. یک لحظه بی

توجهی هنگام کار با ابزار برقی، میتواند جرات

های شدیدی به همراه داشته باشد.

◀ از تجهیزات ایمنی شخصی استفاده کنید.

همواره از عینک ایمنی استفاده نمایید.

استفاده از تجهیزات ایمنی مانند ماسک ضد گرد و

غبار، کفشهای ایمنی ضد لغزش، کلاه ایمنی و

گوشی محافظ متناسب با نوع کار با ابزار برقی،

خطر مجروح شدن را کاهش میدهد.

◀ مواظب باشید که ابزار برقی بطور ناخواسته

بکار نیفتد. قبل از وارد کردن دوشاخه

دستگاه در پریز برق، اتصال آن به باتری،

برداشتن آن و یا حمل دستگاه، باید دقت

کنید که ابزار برقی خاموش باشد. در صورتی

که هنگام حمل دستگاه انگشت شما روی دکمه

قطع و وصل باشد و یا دستگاه را در حالت روشن

به برق بزنید، ممکن است سوانع کاری پیش آید.

◀ قبل از روشن کردن ابزار برقی، همه ابزارهای

تنظیم کننده و آچارها را از روی دستگاه

بردارید. ابزار و آچارهایی که روی بخش های

چرخنده دستگاه قرار دارند، میتوانند باعث ایجاد

جرات شوند.

◀ وضعیت بدن شما باید در حالت عادی قرار

داشته باشد. برای کار جای مطمئنی برای

خود انتخاب کرده و تعادل خود را همواره

حفظ کنید. به این ترتیب میتوانید ابزار برقی را در

وضعتهای غیر منظره بهتر تحت کنترل داشته

باشید.

◀ لباس مناسب بپوشید. از پوشیدن لباسهای

گشاد و حمل زینت آلات خودداری کنید.

موها و لباس خود را از بخشهای در حال

چرخش دستگاه دور نگه دارید. لباسهای

گشاد، موی بلند و زینت آلات ممکن است در

قسمتهای در حال چرخش دستگاه گیر کنند.

◀ در صورتی که تجهیزاتی برای اتصال وسائل

مکش گرد و غبار و یا وسیله جمع کننده گرد

و غبار ارائه شده است، باید مطمئن شوید

که این وسائل درست نصب و استفاده

می شوند. استفاده از وسائل مکش گرد و غبار

مصونیت شما را در برابر گرد و غبار زیادتیر میکند.

◀ آشنایی با ابزار به دلیل کار کردن زیاد با آن

نباید باعث سهل انگاری شما و نادیده گرفتن

اصول ایمنی شود. بی دقتی ممکن است باعث

بروز جراحاتی در عرض کسری از ثانیه شود.

- فلزی دستگاه نیز انتقال دهد و باعث برق گرفتگی شود.
- ◀ جهت ایمن و تثبیت کردن قطعه کار از گیره را یا سایر راههای تثبیت قطعه کار استفاده کنید. نگه داشتن قطعه کار با دست یا تکیه دادن آن به بدن باعث بی ثباتی آن و از دست دادن کنترل روی آن می گردد.
 - ◀ دستگاهتان را از اطراف محدوده ارهکاری دور نگاهدارید. دست خود را به قسمت زیر قطعه کار نزدیک نکنید. تماس با تیغه اهر باعث جراحت خواهد شد.
 - ◀ ابزار برقی را تنها در حال روشن بودن به طرف قطعه کار برانید. در غیر اینصورت ممکن است ابزار روی دستگاه در قطعه کار گیر کرده و باعث ضربه زدن (پس زدن) دستگاه شود.
 - ◀ توجه داشته باشید که صفحه پایه هنگام اهر کردن بطور مطمئن روی قطعه قرار گیرد. اگر تیغه اهر در قطعه کار گیر کند، ممکن است بشکند و یا باعث ضربه برگشتی (پس زدن) دستگاه شود.
 - ◀ بعد از انجام کار، ابزار برقی را خاموش کرده و تیغه اهر را هنگامی از داخل برش قطعه خارج کنید که دستگاه کاملاً متوقف شده باشد. بدین ترتیب از ضربه زدن (پس زدن) دستگاه جلوگیری بعمل می آید و میتوانید ابزار برقی را بطور مطمئن کنار بگذارید.
 - ◀ قبل از کنار گذاشتن ابزار برقی صبر کنید تا دستگاه بطور کامل از کار و حرکت بایستد. ابزار ممکن است به قطعه کار گیر کرده و کنترل ابزار برقی از دست شما خارج شود.
 - ◀ تنها از تیغه ارههای سالم و بی نقص استفاده کنید. تیغه ارههای تاب دار و کند ممکن است بشکنند، برش را تحت تأثیر منفی قرار دهند یا منجر به پس زدن شوند.
 - ◀ بعد از خاموش کردن دستگاه، تیغه اهر را با وارد آوردن فشار جانبی به آن، متوقف نکنید. تیغه اهر ممکن است آسیب دیده، بشکند و یا باعث پس زدن دستگاه شود.
 - ◀ از ابزار برقی فقط به همراه صفحه پایه استفاده کنید. در صورت کار با ابزار بدون صفحه پایه، این خطر وجود دارد که نتوانید ابزار برقی را کنترل کنید.
 - ◀ برای پیدا کردن لوله ها و سیم های پنهان موجود در ساختمان و محدوده کار، از یک دستگاه ردیاب مخصوص برای یافتن لوله ها و سیمهای تأسیسات استفاده کنید و یا با شرکت های کارهای تأسیسات ساختمان و خدمات مربوطه تماس بگیرید. تماس با کابل و سیمهای برق ممکن است باعث آتشسوزی و یا برق گرفتگی شود. ایراد و آسیب دیدگی لوله گاز میتواند باعث انفجار شود. سوراخ شدن لوله آب، باعث خسارت و یا برق گرفتگی میشود.
- استفاده صحیح از ابزار برقی و مراقبت از آن**
- ◀ از وارد کردن فشار زیاد روی دستگاه خودداری کنید. برای هر کاری، از ابزار برقی مناسب با آن استفاده کنید. بکار گرفتن ابزار برقی مناسب باعث میشود که بتوانید از توان دستگاه بهتر و با اطمینان بیشتر استفاده کنید.
 - ◀ در صورت ایراد در کلید قطع و وصل ابزار برقی، از دستگاه استفاده نکنید. ابزار برقی که نمی توان آنها را قطع و وصل کرد، خطرناک بوده و باید تعمیر شوند.
 - ◀ قبل از تنظیم ابزار برقی، تعویض متعلقات و یا کنار گذاشتن آن، دوشاخه را از برق بکشید و یا باتری آنرا خارج کنید. رعایت این اقدامات پیشگیری ایمنی از راه افتادن ناخواسته ابزار برقی جلوگیری می کند.
 - ◀ ابزار برقی را در صورت عدم استفاده، از دسترس کودکان دور نگه دارید و اجازه ندهید که افراد ناوارد و یا اشخاصی که این دفترچه راهنما را نخواندهاند، با این دستگاه کار کنند. قرار گرفتن ابزار برقی در دست افراد ناوارد و بی تجربه خطرناک است.
 - ◀ از ابزار برقی و متعلقات خوب مراقبت کنید. مواظب باشید که قسمت های متحرک دستگاه خوب کار کرده و گیر نکنند. همچنین دقت کنید که قطعات ابزار برقی شکسته و یا آسیب دیده نباشند. قطعات آسیب دیده را قبل از شروع به کار تعمیر کنید. علت بسیاری از سوانح کاری، عدم مراقبت کامل از ابزارهای برقی می باشد.
 - ◀ ابزار برش را تیز و تمیز نگه دارید. ابزار برشی که خوب مراقبت شده و از لبه های تیز برخوردار است، کمتر در قطعه کار گیر کرده و بهتر قابل هدایت است.
 - ◀ ابزار برقی، متعلقات، متهای دستگاه و غیره را مطابق دستورات این جزوه راهنما به کار گیرید و به شرایط کاری و نوع کار نیز توجه داشته باشید. استفاده از ابزار برقی برای عملیاتی به جز مقاصد در نظر گرفته شده، میتواند به بروز شرایط خطرناک منجر شود.
 - ◀ دستها و سطوح عایق را همواره خشک، تمیز و عاری از روغن و گریس نگه دارید. دسته های لغزنده مانع ایمنی و کنترل در کار در شرایط غیر منتظره هستند.
- سرویس**
- ◀ برای تعمیر ابزار برقی فقط به متخصصین حرفهای رجوع کنید و از قطعات یدکی اصل استفاده نمایید. این باعث خواهد شد که ایمنی دستگاه شما تضمین گردد.
- نکات ایمنی در رابطه با اهر های عمود بر**
- ◀ چنانچه بسته به نوع کار، امکان تماس متعلقات برش با کابلهای برق غیر قابل رؤیت ساختمان یا کابل خود ابزار وجود داشته باشد، بایستی ابزار برقی را از محل دسته و سطوح عایق دار آن در دست بگیرید. تماس متعلقات برش با سیم و کابلی که هادی جریان برق است، می تواند جریان برق را به بخشهای

مشخصات فنی

ارّه عمود بُر		GST 680
شماره فنی	3 601 EB4 0..	
توان ورودی نامی	W	500
کورس حرکت در حالت بدون بار n_0	min^{-1}	800-3100
کورس حرکت حداکثر عمق برش	mm	20
- در چوب	mm	68
- در آلومینیوم	mm	10
- در فولاد (غیرآلیاژی)	mm	3
حداکثر زاویه برش (چپ/راست)	°	45
وزن مطابق استاندارد EPTA-Procedure 01:2014	kg	2,0
کلاس ایمنی	II/□	

مقادیر برای ولتاژ نامی [U] 230 ولت میباشند. برای ولتاژهای مختلف و تولیدات مخصوص کشورها، ممکن است این مقادیر متفاوت باشند.

نصب

◀ **پیش از انجام هرگونه کاری بر روی ابزار الکتریکی، دوشاخه اتصال آنرا از داخل پریز برق بیرون بکشید.**

نحوه قرار دادن/تعویض تیغه اره

◀ **به هنگام مونتاژ تیغه اره یا تعویض ابزار از دستکش ایمنی استفاده کنید.** ابزارها تیز هستند و ممکن است در صورت کاربری طولانی داغ شوند.

نحوه انتخاب تیغه اره

لیستی از تیغه اره های توصیه شده را در انتهای این دفترچه می یابید. تنها از تیغه اره های دارای شفت تک بادامک (شفت T شکل) یا شفت عمومی "1/4" (شفت U شکل) استفاده کنید. تیغه اره نباید بلندتر از اندازه برش مورد نظر باشد. جهت اره کردن گوشه های تنگ از یک اره باریک استفاده کنید.

قرار دادن تیغه اره (رجوع کنید به تصویر A)

◀ **قبل از قرار دادن، شفت، تیغه اره را تمیز کنید.** یک شفت کثیف با اطمینان محکم نمی شود.

پیچ (8) اتصال تیغه اره را با آچار آلن ارسالی (4) باز کنید.

تیغه اره (10) را با قرار داشتن دندانه های آن در جهت برش، وارد نگه دارنده تیغه اره (13) کنید تا جا بیفتد.

هنگام نصب تیغه اره دقت کنید که پشت تیغه اره در داخل شیار استوانه راهنما (9) قرار گیرد. پیچ (8) را با آچار آلن (4) محکم کنید. ●

◀ **از جا افتادن و نشست محکم تیغه اره اطمینان حاصل کنید.** چنانچه تیغه اره بطور

توضیحات محصول و کارکرد

همه دستورات ایمنی و راهنماییها را بخوانید.

این دستورات ایمنی ممکن است باعث برقگرفتگی، سوختگی و یا سایر جراحات های شدید شود.



به تصویرهای واقع در بخشهای اول دفترچه راهنما توجه کنید.

موارد استفاده از دستگاه

این ابزار برقی برای برش روی سطوح مستحکم و برش قطعات چوبی، مواد پلاستیکی، فلزات، صفحات سرامیکی، لاستیکی و لمینت/HPL (لمینت تحت فشار بالا) در نظر گرفته شده است. برای برش های مستقیم و منحنی با زاویه مورب تا 45° در نظر گرفته شده است. به پیشنهادات ارائه شده در مورد تیغه اره توجه کنید.

تصاویر اجزاء دستگاه

شماره گذاری تصاویر اجزاء دستگاه بر اساس شکل ابزار برقی در صفحه تصاویر است.

(1) چرخک تنظیم برای انتفاب کورس حرکت

(2) کلید روشن/خاموش

(3) قفل کلید روشن/خاموش

(4) آچار آلن (5 mm)

(5) شیلنگ مکش

(6) لوله اتصال به دستگاه مکش

(7) صفحه پایه

(8) پیچ اتصال تیغه اره

(9) قرقره راهنما

(10) تیغه اره

(11) حفاظ ایمنی در برابر تماس با تیغه اره

(12) پوشش برای دهانه مکش

(13) نگه دارنده تیغه اره

(14) دسته (دارای روکش عایق)

(15) صفحه محافظ تیغه و تراشه^(a)

(16) پیچ صفحه پایه

(17) درجه بندی زاویه مورب

(18) نوار پروفیل اتصال صفحه پایه

(19) بادامک جاگذاری

(20) سوراخ برای بادامک جاگذاری

(21) سوراخ پیچ استاندارد اتصال صفحه پایه

(22) سوراخ پیچ برای اره کاری لبه

(23) راهنمای خط کش راهنمای موازی

(24) پیچ تثبیت خط کش راهنمای موازی^(a)

(25) خط کش راهنمای موازی با گرد بُر^(a)

(26) نوک مرکز گرد بُر^(a)

(a) کلیه متعلقاتی که در تصویر و یا در متن آمده است، بطور معمول همراه دستگاه ارائه نمیشود. لیست کامل متعلقات را در برنامه متعلقات ما می یابید.

برای برخورداری از مکش مناسب، در صورت امکان، محافظ برش سطح (15) را نصب کنید.

دستگاه مکنده باید برای قطعه کار مورد نظر مناسب باشد.

برای مکش گرد و غباری که برای سلامتی مضرند و سرطان زا هستند و یا برای مکش تراشه های خشک باید از یک دستگاه مکنده مخصوص استفاده کنید.

طرز کار با دستگاه

انواع عملکرد

◀ **پیش از انجام هرگونه کاری بر روی ابزار الکتریکی، دوشاخه اتصال آنرا از داخل پریز برق بیرون بکشید.**

تنظیم زاویه برش فارسی (رجوع کنید به تصویر D)

صفحه پایه (7) را میتوان برای برشهای فارسی 45° به طرف راست یا چپ راند.

محافظ برش سطح (15) را نمیتوان برای برشهای فارسی بکار برد.

- محافظ سطح برش (15) را بردارید.

- پیچ (16) را باز کنید و صفحه پایه (7) را آرام به طرف کابل برق هدایت کنید.

- برای تنظیم دقیق زاویه برش فارسی، صفحه پایه در سمت راست و چپ مجهز به نقاط جابجایی 0° و 45° میباشد. صفحه پایه (7) را مطابق با

درجهبندی (17) به حالت دلخواه برانید. سایر درجات زاویه برش فارسی را میتوان با استفاده از یک گونیا تنظیم نمود.

- سپس صفحه پایه (7) را تا انتها به سمت تیغه اره (10) هدایت کنید.

- پیچ (16) را دوباره سفت کنید.

جا به جا کردن صفحه پایه (رجوع کنید به تصویر E)

برای ارهکاری نزدیک به کناره میتوان صفحه پایه (7) را به عقب راند.

پیچ (16) را بطور کامل توسط آچار آلن (4) خارج کنید. پیچ را همراه با نوار پروفیل (18) بردارید.

صفحه پایه (7) را بلند کنید. صفحه پایه را طوری در جهت کابل برق جا به جا کنید که سوراخ پیچ نزدیک

به لبه اره کاری (22) بالای سوراخ رزوه دار روی بدنه ابزار برقی قرار گیرد. بادامک جاگذاری (19)

باید همزمان در سوراخ (20) صفحه پایه جا بیفتد.

پیچ (16) را با نوار پروفیل (18) در سوراخ رزوه دار قرار دهید و آن را محکم کنید.

ارهکاری با صفحه پایه جابهجا شده (7) تنها با یک زاویه برش فارسی 0° ممکن است. علاوه بر این

نباید خطکش راهنمای موزی را با گردبُر (25)

(متعلقات) و نیز محافظ برش سطح (15) بکار برد.

راه اندازی و نحوه کاربرد دستگاه

◀ **به ولتاژ شبکه برق توجه کنید! ولتاژ منبع جریان برق باید با مقادیر موجود روی برچسب ابزار برقی مطابقت داشته باشد. ابزارهای برقی را که با ولتاژ 230 V ولت مشخص**

محکم قرار نگرفته باشد، ممکن است بیرون افتاده و باعث جراثیم شما شود.

خارج کردن تیغه اره (رجوع کنید به تصویر B)
پیچ (8) اتصال تیغه اره 1 را باز کنید و تیغه اره (10) 2 را خارج کنید.

صفحه محافظ تیغه و تراشه (متعلقات) (رجوع کنید به تصویر C)

محافظ برش سطح (15) می تواند از ایجاد پارگی هنگام اره کاری چوب جلوگیری کند. محافظ برش سطح را می توان تنها برای انواع خاصی از تیغه ی اره و فقط با یک زاویه ی برش 0° بکار برد. صفحه پایه (7) را نباید هنگام ارهکاری با محافظ برش سطح برای برش نزدیک به لبه به عقب راند.

محافظ برش سطح (15) را از پایین به صفحه پایه (7) برانید.

مکش گرد، براده و تراشه

گرد و غبار موادی مانند رنگ های دارای سرب، بعضی از چوب ها، مواد معدنی و فلزات میتوانند برای سلامتی مضر باشند. دست زدن و یا تنفس کردن گرد و غبار ممکن است باعث بروز آلرژی و یا بیماری مجاری تنفسی شخص استفاده کننده و یا افرادی که در آن نزدیکی میباشند، بشود.

گرد و غبارهای مخصوصی مانند گرد و غبار درخت بلوط و یا درخت راش سرطان زا هستند، بخصوص ترکیب آنها با سایر موادی که برای کار بر روی چوب (کرومات، مواد برای محافظت از چوب) بکار برده میشوند. فقط افراد متخصص مجازند با موادی که دارای آزیست میباشند کار کنند.

- حتی الامکان از یک دستگاه مکش مناسب و درخورد ماده (قطعه کار) استفاده کنید.

- توجه داشته باشید که ممل کار شما از تهویه هوای کافی برخوردار باشد.

- توصیه میشود از ماسک تنفسی ایمنی با درجه فیلتر P2 استفاده کنید.

به قوانین و مقررات معتبر در کشور خود در رابطه با استفاده از مواد و قطعات کاری توجه کنید.

◀ **از تجمع گرد و غبار در محل کار جلوگیری کنید.** گرد و غبار می توانند به آسانی مشتعل شوند.

پوشش قسمت مکش

پوشش (12) را قبل از اتصال ابزار برقی به یک مکنده، نصب کنید.

پوشش (12) را به شکلی روی ابزار برقی قرار دهید که نگهدارندهها بتوانند در شیارها بدنه قفل شوند.

پوشش (12) را هنگام کار کردن بدون مکنده و همچنین برشهای مورب، از روی ابزار بردارید. برای این کار پوشش را در قسمت بالای نگهدارندهها فشار دهید و آنرا به سمت جلو کشیده و خارج کنید.

نحوه اتصال دستگاه مکش گرد و غبار

یک شیلنگ مکنده (5) (متعلقات) را روی دهانه مکنده (6) متصل کنید. شیلنگ مکنده (5) را به یک دستگاه مکنده متصل کنید (متعلقات).

تشریح نحوه اتصال مکنده های مختلف را در انتهای این دفترچه راهنما می یابید.

شده اند، می توان تحت ولتاژ 220 V ولت نیز بکار برد.

نحوه روشن و خاموش کردن

◀ از فعال کردن کلید قطع و وصل بدون رها کردن دسته مطمئن شوید.

برای روشن کردن ابزار برقی، کلید قطع و وصل (2) را فشار دهید.

برای قفل کردن کلید قطع و وصل (2)، آن را فشرده نگهدارید و علاوه بر این قفلکننده (3) را فشار دهید.

برای خاموش کردن ابزار برقی، کلید قطع و وصل (2) را رها کنید. در صورت قفل بودن کلید قطع و وصل (2) آن را ابتدا فشار دهید و دوباره رها کنید.

نحوه انتخاب سرعت کورس حرکت

با چرخک انتخاب تعداد ضربه (1) می توان تعدا ضربه لازم را از پیش انتخاب کرد و حتی هنگام کار تغییر داد.

تعداد و سرعت ضربه ایده آل به نوع و جنس قطعه کار و شرایط کاری بستگی دارد و با تجربه عملی بدست می آید.

کاهش تعداد ضربه (سرعت) به هنگام قرار دادن تیغه اره بر روی قطعه کار و همچنین برای اره کردن مواد پلاستیکی و آلومینیوم پیشنهاد میشود.

کورس حرکت قابل تنظیم شش درجه ای، این امکان را می دهد که سرعت برش، توان برش و شکل برش، نسبت به جنس قطعه کار به بهترین شکل تطبیق داده شود.

مرحله	کورس حرکت حدود (min ⁻¹)	کاربری/قطعه کار
1	800	فلز
2	1300	فلز، برش منحنی تند
3	1800	برش منحنی تند
4	2200	برش منحنی
5	2600	برش منحنی
6	3000	برش استاندارد، برش سریع

هنگام کار طولانی با سرعت کم ممکن است ابزار برقی بسیار گرم شود. تیغه اره را جدا کنید و بگذارید ابزار برقی جهت خنک شدن برای حدود 3 دقیقه با بیشترین سرعت کار کند.

راهنماییهای عملی

◀ پیش از انجام هرگونه کاری بر روی ابزار الکتریکی، دوشاخه اتصال آنرا از داخل پریز برق بیرون بکشید.

◀ در صورت بلوکه شدن تیغه اره، ابزار برقی را فوراً خاموش کنید.

◀ برای کار روی قطعات کوچک و یا نازک باید همیشه یک زمینه محکم انتخاب کنید و یا از میز اره استفاده کنید (متعلقات).

اره های عمود بُر عمدتاً برای برش های منحنی طراحی شده اند. همچنین متعلقاتی در محدوده Bosch وجود دارد که امکان برش های مستقیم یا

دایره ای را فراهم می کند (بسته به مدل اره عمود بُر، مانند خط کش راهنمای موازی، ریل راهنما یا برش دایره ای).

اره های عمود بُر دستی معمولاً تمایلی به "کج بُری" دارند، یعنی ممکن است تحت شرایطی دقت در زاویه و برش حاصل نشود. عوامل مؤثر بر دقت عبارتند از ضخامت تیغه اره، طول برش و همچنین چگالی مواد و ضخامت قطعه کار.

از این رو باید همیشه با برش های آزمایشی بررسی کنید که آیا نتیجه برش سیستم انتخاب شده با نیازهای برنامه شما مطابقت دارد یا خیر.

قبل از ارهکاری روی چوب، صفحات نئوپان، مصالح ساختمانی و غیره، آنها را نسبت به وجود اجسام خارجی مثل پیچ یا مانند آنها کنترل و بر صورت نیاز دفع کنید.

ارهکاری عمقی (رجوع کنید به تصویر F)

◀ ارهکاری عمقی برای کار روی موادی مانند چوب، سقف کاذب و مانند آن است!

برای ایجاد برش های عمیق جیبی فقط از تیغه اره کوتاه استفاده کنید. ارهکاری عمقی تنها با زاویه برش فارسی 0° ممکن است.

ابزار برقی را از لبه جلویی صفحه پایه (7) روی قطعهکار قرار دهید بدون اینکه تیغه اره (10) با قطعهکار تماس پیدا کند و آن را روشن کنید. در ابزارهای برقی که در آنها امکان تنظیم تعداد ضربه وجود دارد، حداکثر تعداد ضربه را انتخاب کنید. ابزار برقی را محکم به قطعه کار فشار داده و بگذارید تیغه اره به آرامی در داخل قطعه حرکت کند.

به محض اینکه صفحه پایه (7) کاملاً روی قطعهکار قرار گرفت، در امتداد خط برش دلتخواه اره کنید.

خطکش راهنمای موازی را با گردبُر (متعلقات)

برای کار با خطکش راهنمای موازی همراه گردبُر (25) (متعلقات)، نباید ضخامت قطعهکار بیشتر از 30 میلیمتر باشد.

برشهای موازی (رجوع کنید به تصویر G): پیچ تثبیت (24) را باز کنید و درجهبندی خطکش راهنمای موازی را در شیار (23) صفحه پایه برانید. اندازه عرض برش مورد نظر را بر روی ضلع داخلی صفحه پایه مشخص کنید. پیچ تثبیت (24) را سفت کنید.

برشهای گرد (رجوع کنید به تصویر H): روی خط برش، بین دایره مورد ارهکاری، سوراخی ایجا کنید که برای قرار دادن تیغه اره کافی باشد. سوراخ را با یک فرز یا سوهان پرداخت کنید تا تیغه اره همسطح با خط برش قرار گیرد.

پیچ تنظیم (24) را در طرف دیگر خطکش راهنمای موازی قرار دهید. درجهبندی خطکش راهنمای موازی را در شیار (23) صفحه پایه برانید. در مرکز محل مورد برش یک سوراخ ایجاد کنید. نوک مرکز (26) را از سوراخ داخلی خطکش راهنمای موازی و در سوراخ ایجاد شده قرار دهید. اندازه شعاع برش مورد نظر را بر روی ضلع داخلی صفحه پایه مشخص کنید. پیچ تثبیت (24) را سفت کنید.

ماده خنک کننده و روغن کاری

از آنجا که فلز هنگام برش داغ میشود، باید در مسیر خط برش از ماده خنک کننده و روغن استفاده کنید.

تهران 1994834571
تلفن: 9821+ 42039000

آدرس سایر دفاتر خدماتی را در ادامه بیابید:
www.bosch-pt.com/serviceaddresses

از رده خارج کردن دستگاه

ابزار برقی، متعلقات و بسته بندی آن، باید طبق مقررات حفظ محیط زیست از رده خارج و بازیافت شوند.

ابزارهای برقی را داخل زباله دان خانگی نیندازید!



مراقبت و سرویس

مراقبت، تعمیر و تمیز کردن دستگاه

◀ پیش از انجام هرگونه کاری بر روی ابزار الکتریکی، دوشاخه اتصال آنرا از داخل پریز برق بیرون بکشید.

◀ ابزار الکتریکی و شیارهای تهویه آنرا تمیز نگاه دارید، تا ایمنی شما در کار تضمین گردد.

در صورت نیاز به یک کابل پدکی برای اتصال به شبکه برق، بایستی به شرکت **Bosch** و یا به نمایندگی مجاز **Bosch** (خدمات پس از فروش) برای ابزار آلات برقی مراجعه کنید تا از بروز خطرات ایمنی جلوگیری بعمل آید.

قسمت نگهدارنده (ابزارگیر) تیغه اره را مرتب تمیز کنید. برای این منظور تیغه اره را از داخل ابزار برقی بیرون آورید و دستگاه را بر روی یک سطح صاف و نرم کمی تکان دهید.

آلوده شدن بیش از حد ابزار برقی، میتواند باعث ایجاد اختلال در آن شود. بنابراین موادی را که گرد و غبار زیاد تولید میکنند، از زیر یا بالای سر خود اره نکنید.

◀ در صورت شرایط کاری بسیار سخت در صورت امکان همواره از یک سیستم مکنده

استفاده کنید. تمیز کردن مکرر شیارهای

تهویه از طریق دمش فشار هوا و کلید

محاظ (PRCD) جریان خطا و نشستی زمین

(کلید قطع کننده اتصال با زمین) را روشن

کنید. هنگام کار با فلزات، امکان تجمع گرد فلزات که هادی می باشد در قسمت های داخلی ابزار برقی وجود دارد. امکان آسیب دیدن و از بین رفتن حفاظ روکش عایق ابزار برقی وجود دارد.

در صورت مسدود شدن خروجی گرد و غبار، ابزار برقی را خاموش کنید، قسمت خروجی گرد و غبار را بردارید و گرد و غبار و تراشه را بزدابید.

استوانه راهنما (9) را گاه گاه با یک قطره روغنکاری کنید.

استوانه راهنما (9) را مرتب کنترل کنید. در صورت فرسودگی باید توسط تعمیرگاه مجاز **Bosch** تعویض شود.

خدمات و مشاوره با مشتریان

خدمات مشتری، به سؤالات شما درباره تعمیرات، سرویس و همچنین قطعات پدکی پاسخ خواهد داد. نقشه های سه بعدی و اطلاعات مربوط به قطعات پدکی را در تارنمای زیر میابید:

www.bosch-pt.com

گروه مشاوره به مشتریان Bosch با کمال میل به سؤالات شما درباره محصولات و متعلقات پاسخ می دهند.

برای هرگونه سؤال و یا سفارش قطعات پدکی، حتماً شماره فنی 10 رقمی کالا را مطابق برچسب روی ابزار برقی اطلاع دهید.

ایران

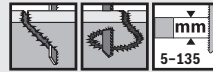
روبرت بوش ایران - شرکت بوش تجارت پارس میدان ونک، خیابان شهید خدای، خیابان آفتاب ساختمان مادیران، شماره 3، طبقه سوم.



for wood

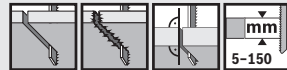
speed  **Wood**

T 144 D, ...
U 144 D, ...



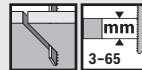
precision  **Wood**

T 308 BP, ...



progressor  **Wood**

T 234 X, ...



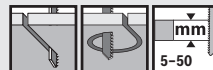
clean  **Wood**

T 101 A0, ...



extra-clean  **Wood**

T 308 B, ...

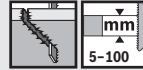




for hardwood

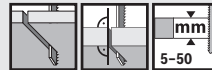
speed  **HardWood**

T 144 DF, ...



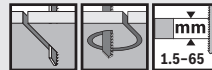
precision  **HardWood**

T 308 BFP, ...



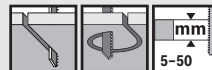
clean  **HardWood**

T 101 AOF, ...



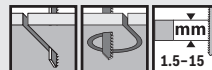
extra-clean  **HardWood**

T 308 BF, ...



special  **Laminate**

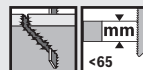
T 101 AOF, ...



for wood and metal

progressor  **Wood+Metal**

T 345 XF, ...
U 345 XF, ...

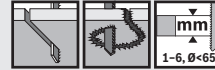




for metal

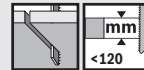
flexible  **Metal**

T 118 AF, ...



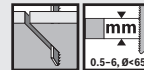
flexible  **MetalSandwich**

T 718 BF, ...

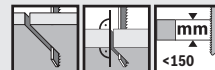


speed  **Metal**

T 121 GF, ...

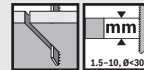


precision  **MetalSandwich** T 1018 AFP, ...



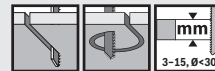
progressor  **Metal**

T 123 XF, ...

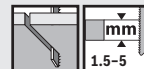


special  **Alu**

T 127 D, ...
U 127 D, ...



endurance  **StainlessSteel** T 118 AHM, ...

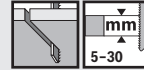




for plastics

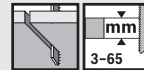
clean  **PP**

T 102 D, ...



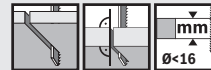
clean  **PVC**

T 102 H, ...



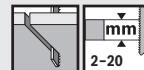
precision  **PVC**

T 1044 HP, ...



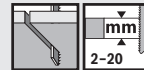
clean  **PMMA**

T 102 BF, ...

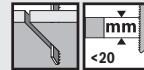


clean  **PC**

T 101 A, ...

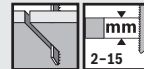


clean  **CarbonFiber** **T 108 BHM, ...**



clean  **HPL**

T 128 BHM, ...



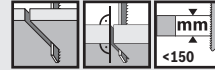
clean  **PlasticComposites** **T 301 CHM, ...**



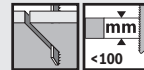


for special materials

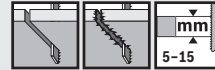
precision  **SoftMaterial** T 1013 AWP, ...



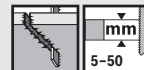
special  **SoftMaterial** T 113 A, ...



special  **Ceramic** T 130 RF, ...



endurance  **FiberPlaster** T 141 HM, ...

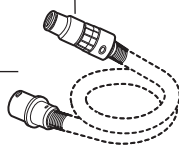




2 607 010 079
(5x)



1 619 PA7 326



Ø 22 mm:

2 608 000 571 (3 m)

2 608 000 567 (5 m)

Ø 35 mm:

2 608 000 569 (3 m)

2 608 000 565 (5 m)

1 619 PB3 826 (3 m)



Ø 22 mm:

2 608 000 572 (3 m)

2 608 000 568 (5 m)

Ø 35 mm:

2 608 000 570 (3 m)

2 608 000 566 (5 m)

2 608 000 585



Ø 35 mm:

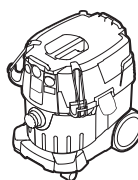
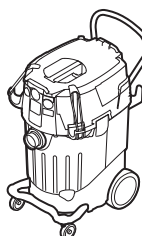
2 608 000 658 (1,6 m)



GAS 15 PS



GAS 12-25 PL

GAS 35 L SFC+
GAS 35 L AFC
GAS 35 M AFC

GAS 55 M AFC



GAS 18V-10 L