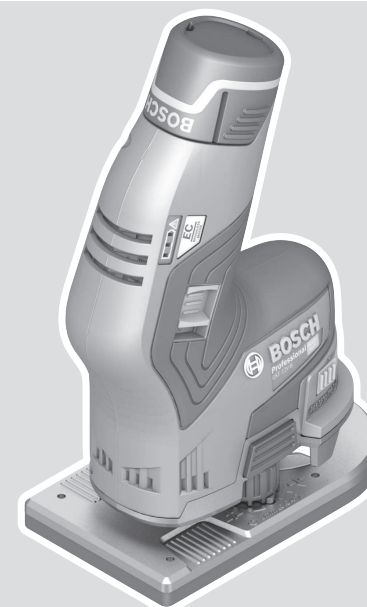




# GKF 12V-8 Professional

HEAVY  
DUTY



Robert Bosch Power Tools GmbH  
70538 Stuttgart  
GERMANY

[www.bosch-pt.com](http://www.bosch-pt.com)

1 609 92A 9JY (2024.08) 0 / 65

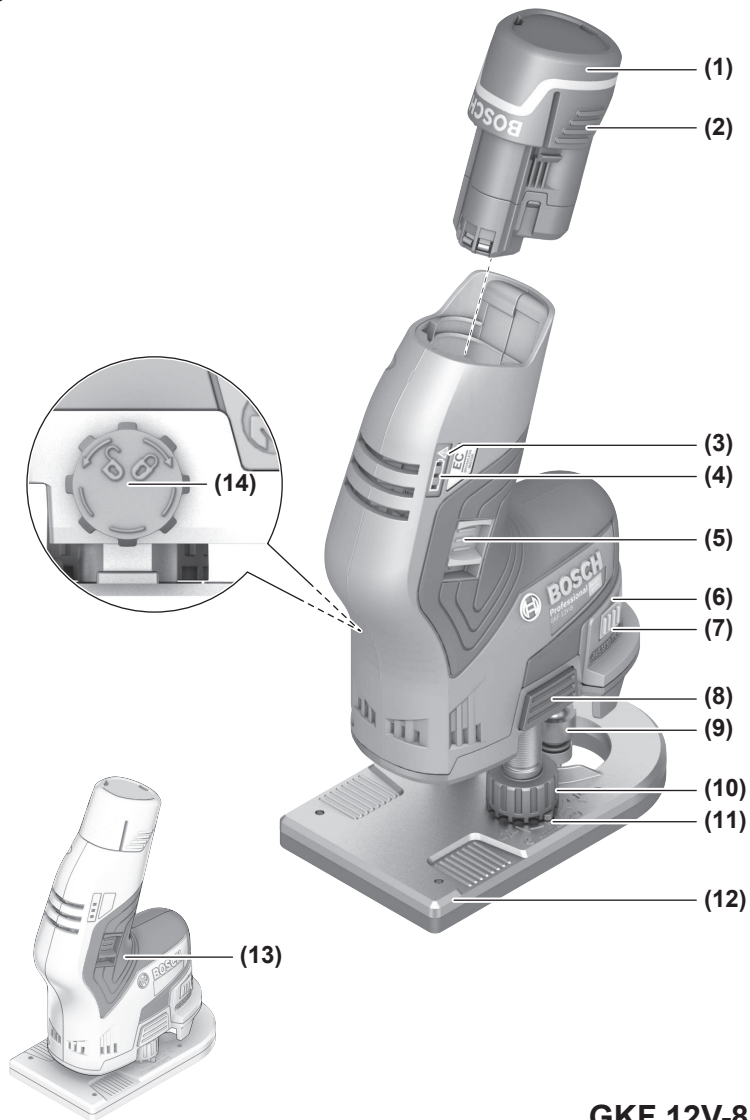


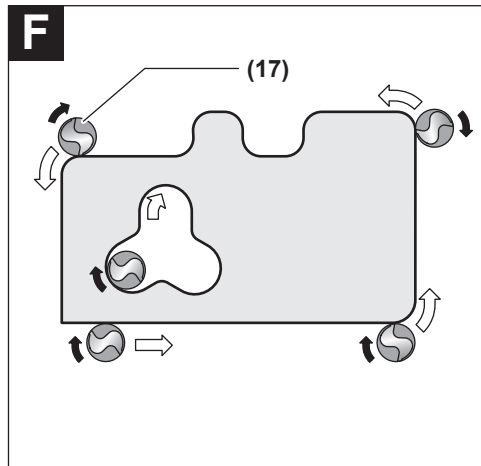
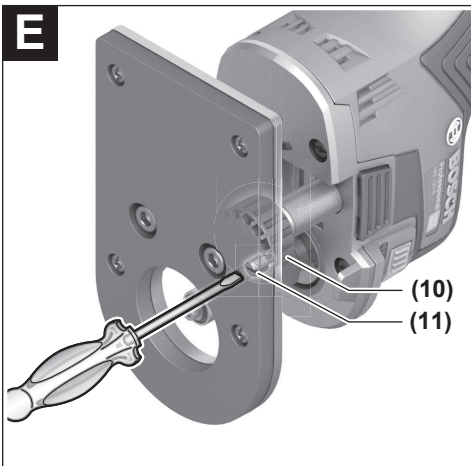
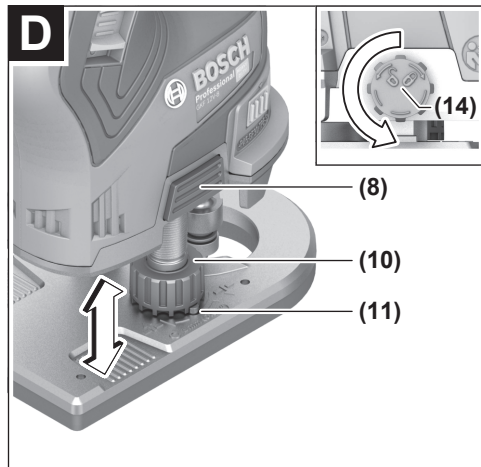
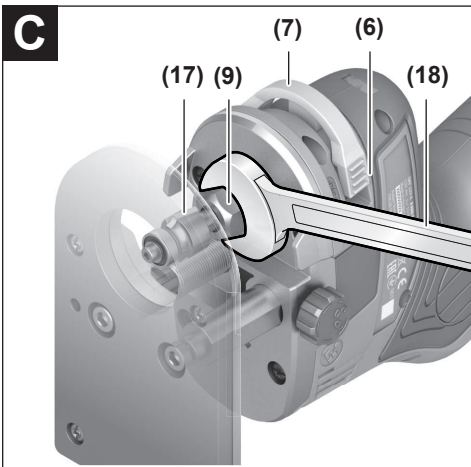
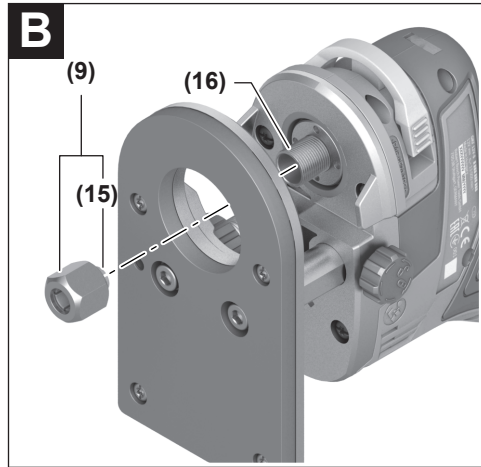
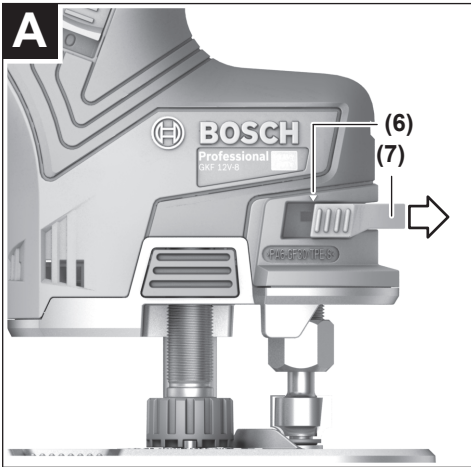
1 609 92A 9JY

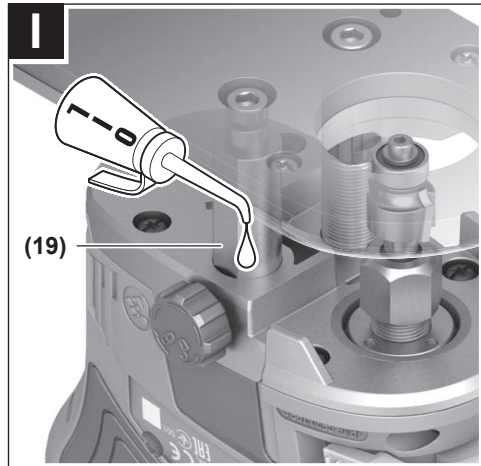
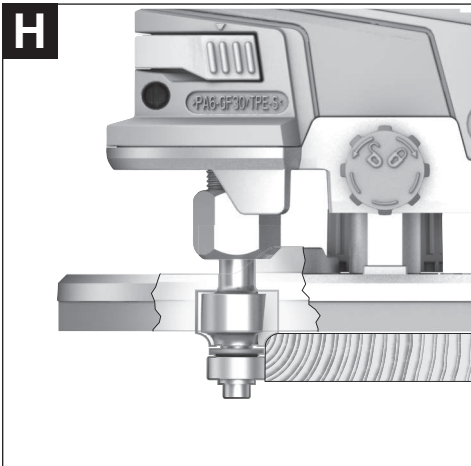
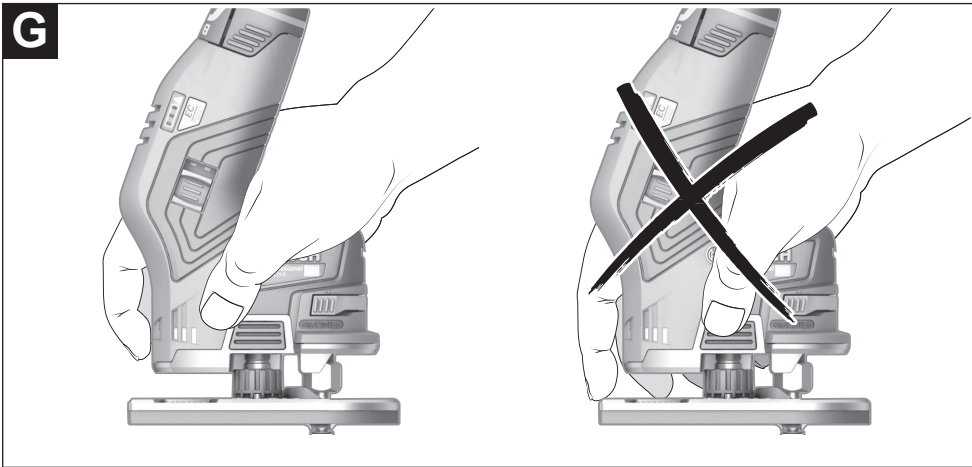
- en Original instructions
- fr Notice originale
- pt Manual original
- zh 正本使用说明书
- zh 原始使用說明書
- th หนังสือคู่มือการใช้งานฉบับต้นแบบ
- id Petunjuk-Petunjuk untuk Penggunaan Orisinal
- vi Bản gốc hướng dẫn sử dụng
- ar دليل التشغيل الأصلي
- fa دفترچه راهنمای اصلی



English .....	Page	6
Français .....	Page	11
Português .....	Página	17
中文 .....	頁	23
繁體中文 .....	頁	28
ไทย .....	หน้า	32
Bahasa Indonesia .....	Halaman	38
Tiếng Việt .....	Trang	43
عربي .....	الصفحة	50
فارسی .....	صفحه	56
CE .....		

**GKF 12V-8**





# English

## Safety Instructions

### General Power Tool Safety Warnings

**⚠ WARNING** Read all safety warnings, instructions, illustrations and specifications provided with this power tool. Failure to follow all instructions listed below may result in electric shock, fire and/or serious injury.

**Save all warnings and instructions for future reference.**

The term "power tool" in the warnings refers to your mains-operated (corded) power tool or battery-operated (cordless) power tool.

#### Work area safety

- ▶ **Keep work area clean and well lit.** Cluttered or dark areas invite accidents.
- ▶ **Do not operate power tools in explosive atmospheres, such as in the presence of flammable liquids, gases or dust.** Power tools create sparks which may ignite the dust or fumes.
- ▶ **Keep children and bystanders away while operating a power tool.** Distractions can cause you to lose control.

#### Electrical safety

- ▶ **Power tool plugs must match the outlet. Never modify the plug in any way. Do not use any adapter plugs with earthed (grounded) power tools.** Unmodified plugs and matching outlets will reduce risk of electric shock.
- ▶ **Avoid body contact with earthed or grounded surfaces, such as pipes, radiators, ranges and refrigerators.** There is an increased risk of electric shock if your body is earthed or grounded.
- ▶ **Do not expose power tools to rain or wet conditions.** Water entering a power tool will increase the risk of electric shock.
- ▶ **Do not abuse the cord. Never use the cord for carrying, pulling or unplugging the power tool. Keep cord away from heat, oil, sharp edges or moving parts.** Damaged or entangled cords increase the risk of electric shock.
- ▶ **When operating a power tool outdoors, use an extension cord suitable for outdoor use.** Use of a cord suitable for outdoor use reduces the risk of electric shock.
- ▶ **If operating a power tool in a damp location is unavoidable, use a residual current device (RCD) protected supply.** Use of an RCD reduces the risk of electric shock.

#### Personal safety

- ▶ **Stay alert, watch what you are doing and use common sense when operating a power tool. Do not use a power tool while you are tired or under the influence of drugs, alcohol or medication.** A moment of inatten-

tion while operating power tools may result in serious personal injury.

- ▶ **Use personal protective equipment. Always wear eye protection.** Protective equipment such as a dust mask, non-skid safety shoes, hard hat or hearing protection used for appropriate conditions will reduce personal injuries.
- ▶ **Prevent unintentional starting. Ensure the switch is in the off-position before connecting to power source and/or battery pack, picking up or carrying the tool.** Carrying power tools with your finger on the switch or energising power tools that have the switch on invites accidents.
- ▶ **Remove any adjusting key or wrench before turning the power tool on.** A wrench or a key left attached to a rotating part of the power tool may result in personal injury.
- ▶ **Do not overreach. Keep proper footing and balance at all times.** This enables better control of the power tool in unexpected situations.
- ▶ **Dress properly. Do not wear loose clothing or jewellery. Keep your hair and clothing away from moving parts.** Loose clothes, jewellery or long hair can be caught in moving parts.
- ▶ **If devices are provided for the connection of dust extraction and collection facilities, ensure these are connected and properly used.** Use of dust collection can reduce dust-related hazards.
- ▶ **Do not let familiarity gained from frequent use of tools allow you to become complacent and ignore tool safety principles.** A careless action can cause severe injury within a fraction of a second.

#### Power tool use and care

- ▶ **Do not force the power tool. Use the correct power tool for your application.** The correct power tool will do the job better and safer at the rate for which it was designed.
- ▶ **Do not use the power tool if the switch does not turn it on and off.** Any power tool that cannot be controlled with the switch is dangerous and must be repaired.
- ▶ **Disconnect the plug from the power source and/or remove the battery pack, if detachable, from the power tool before making any adjustments, changing accessories, or storing power tools.** Such preventive safety measures reduce the risk of starting the power tool accidentally.
- ▶ **Store idle power tools out of the reach of children and do not allow persons unfamiliar with the power tool or these instructions to operate the power tool.** Power tools are dangerous in the hands of untrained users.
- ▶ **Maintain power tools and accessories. Check for misalignment or binding of moving parts, breakage of parts and any other condition that may affect the power tool's operation. If damaged, have the power tool repaired before use.** Many accidents are caused by poorly maintained power tools.

- ▶ **Keep cutting tools sharp and clean.** Properly maintained cutting tools with sharp cutting edges are less likely to bind and are easier to control.
- ▶ **Use the power tool, accessories and tool bits etc. in accordance with these instructions, taking into account the working conditions and the work to be performed.** Use of the power tool for operations different from those intended could result in a hazardous situation.
- ▶ **Keep handles and grasping surfaces dry, clean and free from oil and grease.** Slippery handles and grasping surfaces do not allow for safe handling and control of the tool in unexpected situations.

#### Battery tool use and care

- ▶ **Recharge only with the charger specified by the manufacturer.** A charger that is suitable for one type of battery pack may create a risk of fire when used with another battery pack.
- ▶ **Use power tools only with specifically designated battery packs.** Use of any other battery packs may create a risk of injury and fire.
- ▶ **When battery pack is not in use, keep it away from other metal objects, like paper clips, coins, keys, nails, screws or other small metal objects, that can make a connection from one terminal to another.** Shorting the battery terminals together may cause burns or a fire.
- ▶ **Under abusive conditions, liquid may be ejected from the battery; avoid contact. If contact accidentally occurs, flush with water. If liquid contacts eyes, additionally seek medical help.** Liquid ejected from the battery may cause irritation or burns.
- ▶ **Do not use a battery pack or tool that is damaged or modified.** Damaged or modified batteries may exhibit unpredictable behaviour resulting in fire, explosion or risk of injury.
- ▶ **Do not expose a battery pack or tool to fire or excessive temperature.** Exposure to fire or temperature above 130 °C may cause explosion.
- ▶ **Follow all charging instructions and do not charge the battery pack or tool outside the temperature range specified in the instructions.** Charging improperly or at temperatures outside the specified range may damage the battery and increase the risk of fire.

#### Service

- ▶ **Have your power tool serviced by a qualified repair person using only identical replacement parts.** This will ensure that the safety of the power tool is maintained.
- ▶ **Never service damaged battery packs.** Service of battery packs should only be performed by the manufacturer or authorized service providers.

#### Safety instructions for edge routers

- ▶ **Use clamps or another practical way to secure and support the workpiece to a stable platform.** Holding

the work by your hand or against the body leaves it unstable and may lead to loss of control.

- ▶ **The permitted speed of the cutting bit must be at least equal to the maximum speed marked on the power tool.** If cutting bits run faster than their rated speed, they may break and fly off.
- ▶ **Routers and other accessories must be able to fit exactly in the tool holder (collet) of your power tool.** Application tools that do not fit exactly in the tool holder of the power tool will turn unevenly, vibrate heavily and may cause a loss of control.
- ▶ **Only bring the power tool into contact with the workpiece when switched on.** Otherwise there is danger of kickback if the cutting tool jams in the workpiece.
- ▶ **Never rout over metal objects, nails or screws.** The router could become damaged and cause increased vibration.
- ▶ **Use suitable detectors to determine if there are hidden supply lines or contact the local utility company for assistance.** Contact with electric cables can cause fire and electric shock. Damaging gas lines can lead to explosion. Breaking water pipes causes property damage.
- ▶ **Do not use blunt or damaged routers.** Blunt or damaged routers cause increased friction, create imbalances and may become jammed.
- ▶ **Always wait until the power tool has come to a complete stop before placing it down.** The application tool can jam and cause you to lose control of the power tool.
- ▶ **In case of damage and improper use of the battery, vapours may be emitted. The battery can set alight or explode.** Ensure the area is well ventilated and seek medical attention should you experience any adverse effects. The vapours may irritate the respiratory system.
- ▶ **Do not open the battery.** There is a risk of short-circuiting.
- ▶ **The battery can be damaged by pointed objects such as nails or screwdrivers or by force applied externally.** An internal short circuit may occur, causing the battery to burn, smoke, explode or overheat.
- ▶ **Only use the battery in the manufacturer's products.** This is the only way in which you can protect the battery against dangerous overload.



**Protect the battery against heat, e.g. against continuous intense sunlight, fire, dirt, water and moisture.** There is a risk of explosion and short-circuiting.



## Product Description and Specifications



**Read all the safety and general instructions.**

Failure to observe the safety and general instructions may result in electric shock, fire and/or serious injury.

Please observe the illustrations at the beginning of this operating manual.

### Intended use

The power tool is intended for milling edges and profiles in wood, plastic and non-metallic lightweight materials while resting firmly on the workpiece.

### Product features

The numbering of the product features refers to the diagram of the power tool on the graphics page.

- (1) Battery<sup>a)</sup>
- (2) Battery release button<sup>a)</sup>
- (3) Temperature monitoring/overload protection indicator
- (4) Battery charge indicator
- (5) On/off switch
- (6) Marking arrow for spindle lock
- (7) Spindle locking lever
- (8) Routing depth coarse adjustment button
- (9) Cap nut with collet
- (10) Thumbwheel for fine adjustment of routing depth
- (11) Routing depth adjuster fixing screw
- (12) Base plate
- (13) Handle
- (14) Routing depth adjuster locking wheel
- (15) Collet
- (16) Tool holder
- (17) Router bit<sup>b)</sup>
- (18) Open-ended spanner (17 mm)
- (19) Smooth guide column

a) **This accessory is not part of the standard scope of delivery.**

### Technical data

Edge router	GKF 12V-8	
Article number		<b>3 601 FB0 0..</b>
Rated voltage	V=	12
No-load speed <sup>A)</sup>	min <sup>-1</sup>	13000
Compatible collets	mm inches	6/8 ¼
Router cage stroke	mm	36
Weight <sup>B)</sup>	kg	1.3–1.5
Recommended ambient temperature during charging	°C	0 to +35
Permitted ambient temperature during operation <sup>C)</sup> and during storage	°C	-20 to +50
Recommended rechargeable batteries		GBA 12V...

### Edge router

GKF 12V-8

Recommended battery chargers

GAL 12...  
GAX 18...

- A) Measured at 20–25 °C with rechargeable battery **GBA 12V 3.0Ah**
- B) Depending on battery in use
- C) Limited performance at temperatures < 0 °C

Values can vary depending on the product, scope of application and environmental conditions. To find out more, visit [www.bosch-professional.com/wac](http://www.bosch-professional.com/wac).

### Noise/Vibration Information

Noise emission values determined according to **EN 62841-2-17**.

Typically, the A-weighted sound pressure level of the power tool is **74 dB(A)**. Uncertainty K = 3 dB. The noise level when working can exceed the volume stated. **Wear hearing protection !**

Vibration total values  $a_{h1}$  (triax vector sum) and uncertainty K determined according to **EN 62841-2-17**:

$$a_{h1} < 2.5 \text{ m/s}^2, K = 1.5 \text{ m/s}^2.$$

The vibration level and noise emission value given in these instructions have been measured in accordance with a standardised measuring procedure and may be used to compare power tools. They may also be used for a preliminary estimation of vibration and noise emissions.

The stated vibration level and noise emission value represent the main applications of the power tool. However, if the power tool is used for other applications, with different accessories or is poorly maintained, the vibration level and noise emission value may differ. This may significantly increase the vibration and noise emissions over the total working period.

To estimate vibration and noise emissions accurately, the times when the tool is switched off or when it is running but not actually being used should also be taken into account. This may significantly reduce vibration and noise emissions over the total working period.

Implement additional safety measures to protect the operator from the effects of vibration, such as servicing the power tool and accessories, keeping their hands warm, and organising workflows correctly.

### Rechargeable battery

**Bosch** sells some cordless power tools without a rechargeable battery. You can tell whether a rechargeable battery is included with the power tool by looking at the packaging.

### Charging the battery

- **Use only the chargers listed in the technical data.** Only these chargers are matched to the lithium-ion battery of your power tool.

**Note:** Lithium-ion rechargeable batteries are supplied partially charged according to international transport regulations. To ensure full rechargeable battery capacity, fully



charge the rechargeable battery before using your tool for the first time.

### Inserting the Battery

Push the charged battery into the battery holder until it clicks into place.

### Removing the Battery

To remove the rechargeable battery, press the battery release buttons and pull the battery out. **Do not use force to do this.**

### Battery charge indicator

The three green LEDs on the battery charge indicator indicate the state of charge of the rechargeable battery. The battery charge indicator only lights up for five seconds after start-up.

LED	Capacity
3 × continuous green light	60–100 %
2 × continuous green light	30–60 %
1 × continuous green light	5–30 %
1 × flashing green light	0–5 %

### Temperature monitoring/overload protection indicator

The red LED indicator helps you to protect the rechargeable battery against overheating and the motor against overload. If the LED indicator is lit up **permanently in red**, the temperature of the rechargeable battery is too high and the power tool switches off automatically.

- Switch the power tool off.
- Allow the battery to cool down before you carry on working.

If the LED indicator is **flashing red**, then the power tool is blocked and will switch off automatically.

Pull the power tool out of the workpiece.

The power tool will continue to work as soon as the blockage is rectified.

### Recommendations for Optimal Handling of the Battery

Protect the battery against moisture and water.

Only store the battery within a temperature range of –20 to 50 °C. Do not leave the battery in your car in the summer, for example.

Occasionally clean the ventilation slots on the battery using a soft brush that is clean and dry.

A significantly reduced operating time after charging indicates that the battery has deteriorated and must be replaced. Follow the instructions on correct disposal.

## Fitting

- ▶ **Before carrying out any work on the power tool (e.g. maintenance, tool change etc.), remove the battery from the power tool.** There is risk of injury from unintentionally pressing the on/off switch.

## Changing the tool

- ▶ **Wearing protective gloves while fitting and changing router bits is recommended.**

Original router bits from the extensive range of **Bosch** accessories are available from your specialist dealer.

### Changing the collet (see figures A–B)

Depending on the router bit used, you may have to change the cap nut with the collet **(9)** before fitting the router bit. If the right collet for your router bit is already fitted, please follow the work steps in the following section.

The collet **(15)** must sit in the cap nut with a small amount of play. The cap nut **(9)** must be easy to fit. If the cap nut or collet is damaged, replace it immediately.

Pull out the spindle locking lever **(7)** up to the marking arrow **(6)** on the housing. If necessary, turn the motor spindle manually until it is locked in place. Six positions offset by 60° are possible.

Unscrew the cap nut **(9)** anticlockwise using the open-ended spanner **(18)**.

If required, clean all the parts you want to fit with a soft brush or by blowing them clean with compressed air before assembling them.

Place the new cap nut on the tool holder **(16)**.

Loosely tighten the cap nut.

Slide the spindle locking lever **(7)** back into the housing.

- ▶ **Do not, under any circumstances, tighten the collet with the tightening nut until a router bit has been fitted.** The collet may otherwise become damaged.

### Inserting the router bit (see figure C)

- ▶ **Wearing protective gloves while fitting and changing router bits is recommended.**

Router bits are available in a wide variety of designs and qualities depending on the intended application.

**Router bits made of high-performance high-speed steel (HSS)** are suited to machining soft materials such as softwood and plastic.

**Router bits with carbide tips** are especially suitable for hard and abrasive materials such as hardwood and aluminium.

Original router bits from the extensive range of **Bosch** accessories are available from your specialist dealer.

Only use undamaged and clean router bits.

Pull out the spindle locking lever **(7)** up to the marking arrow **(6)** on the housing. If necessary, turn the motor spindle manually until it is locked in place. Six positions offset by 60° are possible.

Unscrew the cap nut **(9)** anticlockwise using the open-ended spanner **(18)**.

Slide the router bit into the collet. The shank of the router bit must be immersed at least **20 mm** into the collet.

Retighten the cap nut by turning in clockwise direction.

Slide the spindle locking lever **(7)** back into the housing.

- ▶ **Do not, under any circumstances, tighten the collet with the tightening nut until a router bit has been fitted.** The collet may otherwise become damaged.

### Dust/Chip Extraction

Dust from materials such as lead-containing coatings, some wood types, minerals and metal can be harmful to one's health. Touching or breathing-in the dust can cause allergic reactions and/or lead to respiratory infections of the user or bystanders.

Certain dust, such as oak or beech dust, is considered carcinogenic, especially in connection with wood-treatment additives (chromate, wood preservative). Materials containing asbestos may only be worked by specialists.

- Provide for good ventilation of the working place.
- It is recommended to wear a P2 filter-class respirator.

Observe the relevant regulations in your country for the materials to be worked.

- ▶ **Avoid dust accumulation at the workplace.** Dust can easily ignite.

## Operation

### Adjusting the routing depth (see figures D–E)

- ▶ **The routing depth must only be set while the power tool is switched off.**

Place the power tool with a fitted router bit onto the workpiece you want to machine.

Turn the locking wheel (14) anticlockwise approximately half a revolution to unlock the depth-of-cut adjuster.

Push and hold the routing depth coarse adjustment button (8). Move the drive unit up or down and adjust the routing depth to approximately the required position. Release the (8) button.

Use the thumbwheel (10) to set the exact routing depth required. Each revolution of the thumbwheel alters the routing depth by 1 mm.

Turn the locking wheel (14) clockwise approximately half a revolution to lock the depth-of-cut adjuster.

Check the routing depth you have set by carrying out a practical test and correct it if required.

If you want to keep the tool at the routing depth you have set, you can screw the fixing screw (11) into the routing depth fine adjustment thumbwheel (10).

### Starting Operation

#### Switching On and Off

To **switch on** the power tool, slide the on/off switch (5) downwards so that **I** appears on the switch.

To **switch off** the power tool, slide the on/off switch (5) upwards so that **0** appears on the switch.

### Working Advice

- ▶ **Protect router bits against shock and impact.**

### Routing direction and routing process (see figures F–G)

- ▶ **Routing must always be carried out with the workpiece being moved against the direction in which the router bit (17) is turning (up cut).** If the workpiece is moved in the same direction as the router bit is turning (down cut), the power tool may be pulled out of your hands.

**Note:** Be aware that the router bit (17) always protrudes slightly from the base plate (12). Do not damage the template or the workpiece.

Set the routing depth you want.

Switch on the power tool and guide it to the point you want to machine.

Carry out the routing process with a uniform feed.

Switch off the power tool after routing.

- ▶ **Do not put the power tool down before the router bit has come to a complete stop.** Application tools that are still running can cause injuries.

### Edge or profile routing (see figure H)

For edge and profile routing without a parallel guide, the router bit must be fitted with a pilot pin or a ball bearing.

While it is switched on, guide the power tool towards the workpiece from the side until the pilot pin or the ball bearing of the router bit is touching the side of the workpiece edge that you want to machine.

Guide the power tool along the workpiece edge. Pay attention that the router is positioned perpendicularly. Too much pressure can damage the edge of the workpiece.

The following maximum workpiece dimensions apply for edge and profile milling operations:

Material	Radius mm	Chamfer mm
Hardwood	10	6
Softwood	12	10
Plastic	12	10
MDF sheets	12	10
Plywood sheets	10	6

## Maintenance and Service

### Maintenance and Cleaning

- ▶ **Before carrying out any work on the power tool (e.g. maintenance, tool change etc.), remove the battery from the power tool.** There is risk of injury from unintentionally pressing the on/off switch.
- ▶ **To ensure safe and efficient operation, always keep the power tool and the ventilation slots clean.**

Clean the power tool with a vacuum cleaner, paint brush or hand brush after use. Ensure that the guide columns are free of wood dust. Apply a drop of lubricant to the smooth guide column (19) (see figure I).

## After-Sales Service and Application Service

Our after-sales service responds to your questions concerning maintenance and repair of your product as well as spare parts. You can find explosion drawings and information on spare parts at: [www.bosch-pt.com](http://www.bosch-pt.com)

The Bosch product use advice team will be happy to help you with any questions about our products and their accessories.

In all correspondence and spare parts orders, please always include the 10-digit article number given on the nameplate of the product.

### Malaysia

Robert Bosch Sdn. Bhd. (220975-V) PT/SMY  
No. 8A, Jalan 13/6  
46200 Petaling Jaya  
Selangor  
Tel.: (03) 79663194  
Toll-Free: 1800 880188  
Fax: (03) 79583838  
E-Mail: [kiathoe.chong@my.bosch.com](mailto:kiathoe.chong@my.bosch.com)  
[www.bosch-pt.com.my](http://www.bosch-pt.com.my)

### You can find further service addresses at:

[www.bosch-pt.com/serviceaddresses](http://www.bosch-pt.com/serviceaddresses)

## Transport

The recommended lithium-ion batteries are subject to legislation on the transport of dangerous goods. The user can transport the batteries by road without further requirements.

When the batteries are shipped by third parties (e.g. air transport or forwarding agency), special requirements on packaging and labelling (e.g. ADR regulations) must be met. A dangerous goods expert must be consulted when preparing the items for shipping.

Dispatch battery packs only when the housing is undamaged. Tape or mask off open contacts and pack up the battery in such a manner that it cannot move around in the packaging. Please also observe the possibility of more detailed national regulations.

## Disposal



Power tools, rechargeable batteries, accessories and packaging should be sorted for environmental-friendly recycling.



Do not dispose of power tools and batteries/rechargeable batteries into household waste!

## Battery packs/batteries:

### Li-ion:

Please observe the notes in the section on transport (see "Transport", page 11).

# Français

## Consignes de sécurité

### Avertissements de sécurité généraux pour l'outil électrique

#### **AVERTISSEMENT** Lire tous les avertissements de sécurité, les instructions, les illustrations et les spécifications fournis

avec cet outil électrique. Ne pas suivre les instructions énumérées ci-dessous peut provoquer un choc électrique, un incendie et/ou une blessure sérieuse.

#### Conservé tous les avertissements et toutes les instructions pour pouvoir s'y reporter ultérieurement.

Le terme "outil électrique" dans les avertissements fait référence à votre outil électrique alimenté par le secteur (avec cordon d'alimentation) ou votre outil électrique fonctionnant sur batterie (sans cordon d'alimentation).

### Sécurité de la zone de travail

- ▶ **Conservé la zone de travail propre et bien éclairée.**  
Les zones en désordre ou sombres sont propices aux accidents.
- ▶ **Ne pas faire fonctionner les outils électriques en atmosphère explosive, par exemple en présence de liquides inflammables, de gaz ou de poussières.** Les outils électriques produisent des étincelles qui peuvent enflammer les poussières ou les fumées.
- ▶ **Maintenir les enfants et les personnes présentes à l'écart pendant l'utilisation de l'outil électrique.** Les distractions peuvent vous faire perdre le contrôle de l'outil.

### Sécurité électrique

- ▶ **Il faut que les fiches de l'outil électrique soient adaptées au socle. Ne jamais modifier la fiche de quelque façon que ce soit. Ne pas utiliser d'adaptateurs avec des outils électriques à branchement de terre.** Des fiches non modifiées et des socles adaptés réduisent le risque de choc électrique.
- ▶ **Éviter tout contact du corps avec des surfaces reliées à la terre telles que les tuyaux, les radiateurs, les cuisinières et les réfrigérateurs.** Il existe un risque accru de choc électrique si votre corps est relié à la terre.
- ▶ **Ne pas exposer les outils électriques à la pluie ou à des conditions humides.** La pénétration d'eau à l'intérieur d'un outil électrique augmente le risque de choc électrique.
- ▶ **Ne pas maltraiter le cordon. Ne jamais utiliser le cordon pour porter, tirer ou débrancher l'outil électrique. Maintenir le cordon à l'écart de la chaleur, du lubrifiant, des arêtes vives ou des parties en mouvement.** Des cordons endommagés ou emmêlés augmentent le risque de choc électrique.
- ▶ **Lorsqu'on utilise un outil électrique à l'extérieur, utiliser un prolongateur adapté à l'utilisation extérieure.**

L'utilisation d'un cordon adapté à l'utilisation extérieure réduit le risque de choc électrique.

- ▶ **Si l'usage d'un outil électrique dans un emplacement humide est inévitable, utiliser une alimentation protégée par un dispositif à courant différentiel résiduel (RCD).** L'usage d'un RCD réduit le risque de choc électrique.

#### Sécurité des personnes

- ▶ **Rester vigilant, regarder ce que vous êtes en train de faire et faire preuve de bon sens dans votre utilisation de l'outil électrique. Ne pas utiliser un outil électrique lorsque vous êtes fatigué ou sous l'emprise de drogues, de l'alcool ou de médicaments.** Un moment d'inattention en cours d'utilisation d'un outil électrique peut entraîner des blessures graves.
- ▶ **Utiliser un équipement de protection individuelle. Toujours porter une protection pour les yeux.** Les équipements de protection individuelle tels que les masques contre les poussières, les chaussures de sécurité antidérapantes, les casques ou les protections auditives utilisés pour les conditions appropriées réduisent les blessures.
- ▶ **Éviter tout démarrage intempestif. S'assurer que l'interrupteur est en position arrêt avant de brancher l'outil au secteur et/ou au bloc de batteries, de le ramasser ou de le porter.** Porter les outils électriques en ayant le doigt sur l'interrupteur ou brancher des outils électriques dont l'interrupteur est en position marche est source d'accidents.
- ▶ **Retirer toute clé de réglage avant de mettre l'outil électrique en marche.** Une clé laissée fixée sur une partie tournante de l'outil électrique peut donner lieu à des blessures.
- ▶ **Ne pas se précipiter. Garder une position et un équilibre adaptés à tout moment.** Cela permet un meilleur contrôle de l'outil électrique dans des situations inattendues.
- ▶ **S'habiller de manière adaptée. Ne pas porter de vêtements amples ou de bijoux. Garder les cheveux et les vêtements à distance des parties en mouvement.** Des vêtements amples, des bijoux ou les cheveux longs peuvent être pris dans des parties en mouvement.
- ▶ **Si des dispositifs sont fournis pour le raccordement d'équipements pour l'extraction et la récupération des poussières, s'assurer qu'ils sont connectés et correctement utilisés.** Utiliser des collecteurs de poussière peut réduire les risques dus aux poussières.
- ▶ **Rester vigilant et ne pas négliger les principes de sécurité de l'outil sous prétexte que vous avez l'habitude de l'utiliser.** Une fraction de seconde d'inattention peut provoquer une blessure grave.

#### Utilisation et entretien de l'outil électrique

- ▶ **Ne pas forcer l'outil électrique. Utiliser l'outil électrique adapté à votre application.** L'outil électrique adapté réalise mieux le travail et de manière plus sûre au régime pour lequel il a été construit.

- ▶ **Ne pas utiliser l'outil électrique si l'interrupteur ne permet pas de passer de l'état de marche à arrêt et inversement.** Tout outil électrique qui ne peut pas être commandé par l'interrupteur est dangereux et il faut le réparer.
- ▶ **Débrancher la fiche de la source d'alimentation et/ou enlever le bloc de batteries, s'il est amovible, avant tout réglage, changement d'accessoires ou avant de ranger l'outil électrique.** De telles mesures de sécurité préventives réduisent le risque de démarrage accidentel de l'outil électrique.
- ▶ **Conserver les outils électriques à l'arrêt hors de la portée des enfants et ne pas permettre à des personnes ne connaissant pas l'outil électrique ou les présentes instructions de le faire fonctionner.** Les outils électriques sont dangereux entre les mains d'utilisateurs novices.
- ▶ **Observer la maintenance des outils électriques et des accessoires. Vérifier qu'il n'y a pas de mauvais alignement ou de blocage des parties mobiles, des pièces cassées ou toute autre condition pouvant affecter le fonctionnement de l'outil électrique. En cas de dommages, faire réparer l'outil électrique avant de l'utiliser.** De nombreux accidents sont dus à des outils électriques mal entretenus.
- ▶ **Garder affûtés et propres les outils permettant de couper.** Des outils destinés à couper correctement entretenus avec des pièces coupantes tranchantes sont moins susceptibles de bloquer et sont plus faciles à contrôler.
- ▶ **Utiliser l'outil électrique, les accessoires et les lames etc., conformément à ces instructions, en tenant compte des conditions de travail et du travail à réaliser.** L'utilisation de l'outil électrique pour des opérations différentes de celles prévues peut donner lieu à des situations dangereuses.
- ▶ **Il faut que les poignées et les surfaces de préhension restent sèches, propres et dépourvues d'huiles et de graisses.** Des poignées et des surfaces de préhension glissantes rendent impossibles la manipulation et le contrôle en toute sécurité de l'outil dans les situations inattendues.

#### Utilisation des outils fonctionnant sur batteries et précautions d'emploi

- ▶ **Ne recharger qu'avec le chargeur spécifié par le fabricant.** Un chargeur qui est adapté à un type de bloc de batteries peut créer un risque de feu lorsqu'il est utilisé avec un autre type de bloc de batteries.
- ▶ **N'utiliser les outils électriques qu'avec des blocs de batteries spécifiquement désignés.** L'utilisation de tout autre bloc de batteries peut créer un risque de blessure et de feu.
- ▶ **Lorsqu'un bloc de batteries n'est pas utilisé, le maintenir à l'écart de tout autre objet métallique, par exemple trombones, pièces de monnaie, clés, clous, vis ou autres objets de petite taille qui peuvent donner**

**lieu à une connexion d'une borne à une autre.** Le court-circuitage des bornes d'une batterie entre elles peut causer des brûlures ou un feu.

- ▶ **Dans de mauvaises conditions, du liquide peut être éjecté de la batterie; éviter tout contact. En cas de contact accidentel, nettoyer à l'eau. Si le liquide entre en contact avec les yeux, rechercher en plus une aide médicale.** Le liquide éjecté des batteries peut causer des irritations ou des brûlures.
- ▶ **Ne pas utiliser un bloc de batteries ou un outil fonctionnant sur batteries qui a été endommagé ou modifié.** Les batteries endommagées ou modifiées peuvent avoir un comportement imprévisible provoquant un feu, une explosion ou un risque de blessure.
- ▶ **Ne pas exposer un bloc de batteries ou un outil fonctionnant sur batteries au feu ou à une température excessive.** Une exposition au feu ou à une température supérieure à 130 °C peut provoquer une explosion.
- ▶ **Suivre toutes les instructions de charge et ne pas charger le bloc de batteries ou l'outil fonctionnant sur batteries hors de la plage de températures spécifiée dans les instructions.** Un chargement incorrect ou à des températures hors de la plage spécifiée de températures peut endommager la batterie et augmenter le risque de feu.

#### Maintenance et entretien

- ▶ **Faire entretenir l'outil électrique par un réparateur qualifié utilisant uniquement des pièces de rechange identiques.** Cela assure le maintien de la sécurité de l'outil électrique.
- ▶ **Ni jamais effectuer d'opération d'entretien sur des blocs de batteries endommagés.** Il convient que l'entretien des blocs de batteries ne soit effectué que par le fabricant ou les fournisseurs de service autorisés.

#### Consignes de sécurité pour affleureuses

- ▶ **Utiliser des pinces ou autre moyen pratique de fixer et soutenir la pièce à usiner à la plate-forme stable.** Le fait de tenir la pièce de travail avec la main ou contre son corps le rend instable et peut entraîner une perte de contrôle.
- ▶ **La vitesse maximale admissible de la fraise doit être au moins égale à la vitesse maximale indiquée sur l'outil électroportatif.** Les fraises qui tournent plus vite que leur vitesse maximale admissible risquent de se rompre et de voler en éclat.
- ▶ **Les fraises et autres accessoires doivent être conçus pour le porte-outil (pince de serrage) de votre outil électroportatif.** Les outils qui ne correspondent pas exactement au porte-outil de l'outil électroportatif, tournent de façon irrégulière, génèrent de fortes vibrations et peuvent entraîner une perte de contrôle.
- ▶ **N'approchez l'outil électroportatif de la pièce à scier qu'après l'avoir mis en marche.** Il y a sinon risque de rebond au cas où la lame resterait coincée dans la pièce.

- ▶ **Ne fraisez jamais des pièces métalliques, clous ou vis.** La fraise pourrait être endommagée et se mettre à vibrer fortement.
- ▶ **Utilisez un détecteur approprié pour vérifier s'il n'y a pas de conduites cachées ou contactez votre société de distribution d'eau locale.** Tout contact avec des câbles électriques peut provoquer un incendie ou un choc électrique. Tout endommagement d'une conduite de gaz peut provoquer une explosion. La perforation d'une conduite d'eau provoque des dégâts matériels.
- ▶ **N'utilisez pas de fraises émoussées ou endommagées.** Les fraises émoussées ou endommagées provoquent une friction trop élevée, elles peuvent rester coincées et déséquilibrer la défonceuse.
- ▶ **Avant de poser l'outil électroportatif, attendez que celui-ci soit complètement à l'arrêt.** L'outil risque de se coincer, ce qui entraînerait une perte de contrôle de l'outil électroportatif.
- ▶ **Si l'accu est endommagé ou utilisé de manière non conforme, des vapeurs peuvent s'échapper. L'accu peut brûler ou exploser.** Ventilez le local et consultez un médecin en cas de malaise. Les vapeurs peuvent entraîner des irritations des voies respiratoires.
- ▶ **N'ouvrez pas l'accu.** Risque de court-circuit.
- ▶ **Les objets pointus comme un clou ou un tournevis et le fait d'exercer une force extérieure sur le boîtier risque d'endommager l'accu.** Il peut en résulter un court-circuit interne et l'accu risque de s'enflammer, de dégager des fumées, d'exploser ou de surchauffer.
- ▶ **N'utilisez l'accu que sur les produits du fabricant.** Tout risque de surcharge dangereuse sera alors exclu.



**Conservez la batterie à l'abri de la chaleur, en la protégeant p. ex. de l'ensoleillement direct, du feu, de la saleté, de l'eau et de l'humidité.** Il existe un risque d'explosion et de courts-circuits.

## Description des prestations et du produit



**Lisez attentivement toutes les instructions et consignes de sécurité.** Le non-respect des instructions et consignes de sécurité peut provoquer un choc électrique, un incendie et/ou entraîner de graves blessures.

Référez-vous aux illustrations qui se trouvent à l'avant de la notice d'utilisation.

### Utilisation conforme

L'outil électroportatif est conçu pour effectuer, sur un support stable, des fraisages d'arêtes et de profils sur du bois, des plastiques et des matériaux légers non métalliques.

### Éléments constitutifs

La numérotation des éléments se réfère à la représentation de l'outil électroportatif sur la page graphique.

- (1) Accu<sup>a)</sup>
- (2) Bouton de déverrouillage d'accu<sup>a)</sup>
- (3) Voyant surveillance de température / protection contre les surcharges
- (4) Indicateur d'état de charge de l'accu
- (5) Interrupteur Marche/Arrêt
- (6) Flèche repère pour blocage de broche
- (7) Levier de blocage de broche
- (8) Touche de réglage grossier de la profondeur de fraisage
- (9) Écrou-raccord avec pince de serrage
- (10) Molette de réglage de profondeur de fraisage
- (11) Vis de blocage du réglage de profondeur de fraisage
- (12) Base
- (13) Poignée
- (14) Molette de verrouillage du réglage de profondeur de fraisage
- (15) Pince de serrage
- (16) Porte-outil
- (17) Fraise<sup>a)</sup>
- (18) Clé plate (17 mm)
- (19) Colonne de guidage lisse

a) Ces accessoires ne sont pas compris dans la fourniture.

## Caractéristiques techniques

Affleureuse	GKF 12V-8	
Référence		<b>3 601 FBO 0..</b>
Tension nominale	V=	12
Régime à vide <sup>A)</sup>	tr/min	13 000
Pincés de serrage compatibles	mm pouce	6/8 ¼
Course du berceau	mm	36
Poids <sup>B)</sup>	kg	1,3–1,5
Températures ambiantes recommandées pour la charge	°C	0 ... +35
Températures ambiantes admissibles pendant l'utilisation <sup>C)</sup> et pour le stockage	°C	-20 ... +50
Batteries recommandées		GBA 12V...
Chargeurs recommandés		GAL 12... GAX 18...

A) Mesuré à 20–25 °C avec accu **GBA 12V 3.0Ah**.

B) selon l'accumulateur utilisé

C) performances réduites à des températures < 0 °C

Les valeurs peuvent varier selon le produit, les conditions d'utilisation et les conditions ambiantes. Pour plus d'informations, rendez-vous sur [www.bosch-professional.com/wac](http://www.bosch-professional.com/wac).

## Informations sur le niveau sonore/les vibrations

Valeurs d'émissions sonores déterminées selon la norme **EN 62841-2-17**.

Le niveau de pression acoustique en dB(A) typique de l'outil électroportatif est de **74 dB(A)**. Incertitude K = 3 dB. Le niveau sonore peut dépasser les valeurs indiquées pendant l'utilisation de l'outil. **Portez un casque antibruit !**

Valeurs globales de vibration  $a_h$  (somme vectorielle sur les trois axes) et incertitude K conformément à **EN 62841-2-17**:  $a_h < 2,5 \text{ m/s}^2$ ,  $K = 1,5 \text{ m/s}^2$ .

Le niveau de vibration et la valeur d'émission sonore indiqués dans cette notice d'utilisation ont été mesurés selon une procédure de mesure normalisée et peuvent être utilisés pour établir une comparaison entre différents outils électroportatifs. Ils peuvent aussi servir de base à une estimation préliminaire du taux de vibration et du niveau sonore.

Le niveau de vibration et la valeur d'émission sonore indiqués s'appliquent pour les utilisations principales de l'outil électroportatif. Si l'outil électroportatif est utilisé pour d'autres applications, avec d'autres accessoires de travail ou sans avoir fait l'objet d'un entretien régulier, le niveau de vibration et la valeur d'émission sonore peuvent différer. Il peut en résulter des vibrations et un niveau sonore nettement plus élevés pendant toute la durée de travail.

Pour une estimation précise du niveau de vibration et du niveau sonore, il faut aussi prendre en considération les périodes pendant lesquelles l'outil est éteint ou bien en marche sans être vraiment en action. Il peut en résulter au final un niveau de vibration et un niveau sonore nettement plus faibles pendant toute la durée de travail.

Prévoyez des mesures de protection supplémentaires permettant de protéger l'utilisateur de l'effet des vibrations, par exemple : maintenance de l'outil électroportatif et des accessoires de travail, maintien des mains au chaud, organisation des procédures de travail.

## Accu

**Bosch** vend ses outils électroportatifs sans-fil aussi sans accu. Il est indiqué sur l'emballage si un accu est fourni ou non avec l'outil électroportatif.

## Recharge de l'accu

► **N'utilisez que les chargeurs indiqués dans les Caractéristiques techniques.** Seuls ces chargeurs sont adaptés à l'accu Lithium-Ion de votre outil électroportatif.

**Remarque :** Les dispositions internationales en vigueur pour le transport de marchandises obligent à livrer les accus Lithium-Ion partiellement chargés. Pour que les accus soient pleinement performants, chargez-les complètement avant leur première utilisation.

## Mise en place de l'accu

Insérez l'accu dans le compartiment à accu jusqu'à ce qu'il s'enclenche.

## Retrait de l'accu

Pour retirer l'accu, appuyez sur les boutons de déverrouillage de l'accu et sortez l'accu de l'outil électroportatif.

**Ne forcez pas.**

## Indicateur de niveau de charge de l'accu

Les 3 LED vertes de l'indicateur d'état de charge indiquent le niveau de charge de l'accu. L'indicateur de niveau de charge ne s'allume que pendant les 5 s qui suivent la mise en marche.

LED	Capacité
Allumage permanent en vert de 3 LED	60–100 %
Allumage permanent en vert de 2 LED	30–60 %
Allumage permanent en vert de 1 LED	5–30 %
Clignotement en vert de 1 LED	0–5 %

## LED Surveillance de température/protection contre les surcharges

La LED rouge vous aide à protéger l'accu contre la surchauffe et le moteur contre la surcharge.

Si la LED s'allume en **rouge continu**, c'est que la température de l'accu est trop élevée ; l'outil électroportatif s'arrête automatiquement.

- Arrêtez l'outil électroportatif.
- Laissez refroidir l'accu avant de continuer à travailler.

Si la LED **clignote en rouge**, c'est que l'outil électroportatif s'est bloqué ; il s'arrête automatiquement.

Dégagez l'outil électroportatif de la pièce.

L'outil électroportatif se remet en marche dès que le blocage a disparu.

## Indications pour une utilisation optimale de la batterie

Protégez l'accu de l'humidité et de l'eau.

Ne stockez l'accu que dans la plage de températures de –20 à 50 °C. Ne laissez par ex. pas l'accu dans une voiture en plein été.

Nettoyez de temps en temps les orifices de ventilation de l'accu à l'aide d'un pinceau doux, propre et sec.

Une baisse notable de l'autonomie de l'accu au fil des recharges effectuées indique que l'accu est arrivé en fin de vie et qu'il doit être remplacé.

Respectez les indications concernant l'élimination.

## Montage

- ▶ **Retirez systématiquement la batterie avant toute intervention sur l'outil électroportatif (maintenance, changement d'accessoire, etc.).** Il y a sinon risque de blessure si vous appuyez par mégarde sur l'interrupteur Marche/Arrêt.

## Changement d'outil

- ▶ **Il est recommandé de porter des gants de protection pour le montage et le changement des fraises.**

Vous trouverez toutes les fraises de la gamme étendue d'accessoires **Bosch** auprès de votre revendeur spécialisé.

## Changement de la pince de serrage (voir figures A–B)

Pour certaines fraises, il est nécessaire de changer d'écrou-raccord à l'aide de la pince de serrage (9), avant d'insérer la fraise.

Si la pince de serrage adaptée à votre fraise est déjà en place, suivez les opérations de la section suivante.

La pince de serrage (15) doit être positionnée dans l'écrou-raccord avec un peu de jeu. L'écrou-raccord (9) doit être facile à monter. Remplacez immédiatement l'écrou-raccord ou la pince de serrage s'ils sont endommagés.

Sortez le levier de blocage de broche (7) du boîtier jusqu'à la flèche repère (6). Tournez si nécessaire la broche du moteur à la main jusqu'à ce qu'elle se bloque. Elle peut être bloquée dans six positions espacées de 60°.

Desserrez l'écrou-raccord (9) dans le sens antihoraire à l'aide de la clé plate (18).

Si nécessaire, nettoyez avant le montage toutes les pièces à l'aide d'un pinceau doux ou en les soufflant à l'air comprimé.

Montez le nouvel écrou-raccord sur le porte-outil (16).

Serrez légèrement l'écrou-raccord.

Repoussez le levier de blocage de broche (7) dans le boîtier.

- ▶ **Ne serrez en aucun cas la pince de serrage avec l'écrou-raccord tant qu'aucune fraise n'est montée.** La pince de serrage risque sinon d'être endommagée.

## Mise en place de la fraise (voir figure C)

- ▶ **Il est recommandé de porter des gants de protection pour le montage et le changement des fraises.**

De nombreuses fraises, de versions et de qualités différentes, sont disponibles pour de multiples applications.

**Les fraises en acier rapide (HSS)** sont destinées aux matériaux tendres tels que le bois tendre ou les matières plastiques.

**Les fraises munies de taillants en carbure** sont spécialement conçues pour les matériaux durs et abrasifs tels que le bois dur et l'aluminium.

Vous trouverez toutes les fraises Bosch de la gamme étendue d'accessoires Bosch auprès de votre revendeur spécialisé.

N'utilisez que des fraises en parfait état et propres.

Sortez le levier de blocage de broche (7) du boîtier jusqu'à la flèche repère (6). Tournez si nécessaire la broche du moteur à la main jusqu'à ce qu'elle se bloque. Elle peut être bloquée dans six positions espacées de 60°.

Desserrez l'écrou-raccord (9) dans le sens antihoraire à l'aide de la clé plate (18).

Insérez la fraise dans la pince de serrage. La queue de la fraise doit être introduite dans la pince de serrage d'au moins 20 mm.

Resserrez l'écrou-raccord dans le sens horaire.

Repoussez le levier de blocage de broche (7) dans le boîtier.

- ▶ **Ne serrez en aucun cas la pince de serrage avec l'écrou-raccord tant qu'aucune fraise n'est montée.** La pince de serrage risque sinon d'être endommagée.

## Aspiration de poussières/de copeaux

Les poussières de matériaux tels que peintures contenant du plomb, certains bois, minéraux ou métaux, peuvent être nuisibles à la santé. Entrer en contact ou aspirer les poussières peut entraîner des réactions allergiques et/ou des maladies respiratoires auprès de l'utilisateur ou de personnes se trouvant à proximité.

Certaines poussières telles que les poussières de chêne ou de hêtre sont considérées comme cancérigènes, surtout en association avec des additifs pour le traitement du bois (chromate, lazure). Les matériaux contenant de l'amiante ne doivent être travaillés que par des personnes qualifiées.

- Veillez à bien aérer la zone de travail.
- Il est recommandé de porter un masque respiratoire avec un niveau de filtration de classe P2.

Respectez les règlements spécifiques aux matériaux à traiter en vigueur dans votre pays.

- ▶ **Évitez toute accumulation de poussières sur le lieu de travail.** Les poussières peuvent facilement s'enflammer.

## Utilisation

### Réglage de la profondeur de fraisage (voir figures D–E)

- ▶ **Ne procédez au réglage de la profondeur de fraisage que quand l'outil électroportatif est à l'arrêt.**

Posez l'outil électroportatif muni de la fraise voulue sur la pièce à fraiser.

Tournez la molette de verrouillage (14) d'env. un demi-tour dans le sens antihoraire pour débloquer le réglage de profondeur de fraisage.

Appuyez sur la touche (8) de réglage grossier de profondeur de fraisage et maintenez-la enfoncée. Déplacez le bloc moteur vers le haut ou vers le bas et réglez grossièrement la profondeur de fraisage souhaitée. Relâchez la touche (8).

Réglez la profondeur de fraisage exacte avec la molette (10). Une rotation complète de la molette modifie la profondeur de fraisage de 1 mm.

Verrouillez le réglage de profondeur de fraisage en tournant la molette de verrouillage (14) d'env. un demi-tour dans le sens horaire.

Faites un premier essai pour contrôler si le réglage de la profondeur de fraisage est correct et corrigez si nécessaire.

Pour bloquer durablement la profondeur de fraisage réglée, vissez le vis de blocage (11) dans la molette (10) de réglage fin de profondeur de fraisage.

### Mise en marche

#### Mise en marche / arrêt

Pour **mettre en marche** l'outil électroportatif, poussez l'interrupteur Marche/Arrêt (5) vers le bas, de façon à ce que l'appareil apparaisse.

Pour **éteindre** l'outil électroportatif, poussez l'interrupteur Marche/Arrêt (5) vers le haut, de façon à ce que 0 apparaisse.

## Instructions d'utilisation

- ▶ **Protégez les fraises contre les chocs et les coups.**

### Sens de fraisage et processus de fraisage (voir figures F–G)

- ▶ **Toujours déplacer l'outil électroportatif dans le sens opposé au sens de rotation de la fraise (17) (fraisage en opposition).** En cas de fraisage dans le sens de rotation de la fraise (fraisage en avalant), l'outil électroportatif peut être arraché de votre main.

**Remarque :** Tenez compte du fait que la fraise (17) dépasse toujours de la plaque de base (12). N'endommagez ni le gabarit ni la pièce à travailler.

Réglez la profondeur de fraisage souhaitée.

Mettez l'outil électroportatif en marche et approchez-le de l'endroit où vous souhaitez fraiser.

Effectuez l'opération de fraisage avec une vitesse d'avance constante.

Une fois le fraisage terminé, éteignez l'outil électroportatif.

- ▶ **Ne posez l'outil électroportatif qu'après l'immobilisation complète de la fraise.** Les accessoires de travail qui continuent de tourner peuvent causer des blessures.

### Fraisage de bords ou de profilés (voir figure H)

Pour fraiser des bords ou des profilés sans butée parallèle, la fraise doit être munie d'un tourillon de guidage ou d'un roulement à billes.

Approchez par le côté l'outil électroportatif en marche de la pièce à fraiser, jusqu'à ce que le tourillon ou le roulement à billes de la fraise touche le bord de la pièce.

Déplacez l'outil électroportatif le long du bord de la pièce. Veillez à une position d'appui angulaire correcte. Une pression trop importante risque d'endommager le bord de la pièce.

Ci-dessous les dimensions de pièce maximales possibles pour le fraisage de bords ou de profilés :

Matériau	Rayon mm	Chanfrein mm
Bois dur	10	6
Bois tendre	12	10
Plastique	12	10
Panneaux MDF	12	10
Panneaux multiplex	10	6

## Entretien et Service après-vente

### Nettoyage et entretien

- ▶ **Retirez systématiquement la batterie avant toute intervention sur l'outil électroportatif (maintenance, changement d'accessoire, etc.).** Il y a sinon risque de blessure si vous appuyez par mégarde sur l'interrupteur Marche/Arrêt.
- ▶ **Toujours tenir propres l'outil électroportatif ainsi que les fentes de ventilation afin d'obtenir un travail impeccable et sûr.**



Nettoyez l'outil électroportatif après utilisation avec un aspirateur, un pinceau ou une balayette. Assurez-vous que les colonnes de guidage sont exemptes de sciure. Appliquez une goutte de graisse sur la colonne de guidage lisse (19) (voir figure I).

### Service après-vente et conseil utilisateurs

Notre Service Après-Vente répond à vos questions concernant la réparation et l'entretien de votre produit et les pièces de rechange. Des vues éclatées ainsi que des informations concernant les pièces de rechange se trouvent également sous : [www.bosch-pt.com](http://www.bosch-pt.com)

L'équipe de conseil utilisateurs Bosch se tient à votre disposition pour répondre à vos questions concernant nos produits et leurs accessoires.

Pour toute demande de renseignement ou commande de pièces de rechange, nous préciser impérativement le numéro d'article à dix chiffres indiqué sur la plaque signalétique du produit.

#### Maroc

Robert Bosch Morocco SARL  
53, Rue Lieutenant Mahroud Mohamed  
20300 Casablanca  
Tel. : +212 5 29 31 43 27  
E-Mail : sav.outillage@ma.bosch.com

#### Vous trouverez d'autres adresses de service sous :

[www.bosch-pt.com/serviceaddresses](http://www.bosch-pt.com/serviceaddresses)

### Transport

Les batteries Lithium-ion recommandées sont soumises aux règlements de transport des matières dangereuses. L'utilisateur peut transporter les batteries par voie routière sans mesures supplémentaires.

Lors d'une expédition par tiers (par ex. : transport aérien ou entreprise de transport), les mesures à prendre spécifiques à l'emballage et au marquage doivent être observées. Dans un tel cas, lors de la préparation de l'envoi, il est impératif de faire appel à un expert en transport des matières dangereuses.

N'expédiez les accumulateurs que si le carter n'est pas endommagé. Recouvrez les contacts à l'air libre et emballez l'accu de manière à ce qu'il ne se déplace pas dans l'emballage. Veuillez également respecter les réglementations supplémentaires éventuellement en vigueur dans votre pays.

### Élimination des déchets



Les outils électroportatifs, les accus ainsi que leurs accessoires et emballages doivent être rapportés dans un centre de recyclage respectueux de l'environnement.



Ne jetez pas les outils électroportatifs et les accus/piles avec les ordures ménagères !

#### Accus/piles :

Li-Ion :

Veuillez respecter les indications se trouvant dans le chapitre Transport (voir « Transport », Page 17).

#### Valable uniquement pour la France :



FR  
Cet appareil,  
ses accessoires,  
et batterie  
se recyclent



Points de collecte sur [www.quefairedemesdechets.fr](http://www.quefairedemesdechets.fr)

## Português

### Instruções de segurança

#### Instruções gerais de segurança para ferramentas eléctricas

##### AVISO

Devem ser lidas todas as indicações de segurança,

instruções, ilustrações e especificações desta ferramenta eléctrica. O desrespeito das instruções apresentadas abaixo poderá resultar em choque eléctrico, incêndio e/ou ferimentos graves.

#### Guarde bem todas as advertências e instruções para futura referência.

O termo "ferramenta eléctrica" utilizado a seguir nas indicações de advertência, refere-se a ferramentas eléctricas operadas com corrente de rede (com cabo de rede) e a ferramentas eléctricas operadas com acumulador (sem cabo de rede).

#### Segurança da área de trabalho

- ▶ **Mantenha a sua área de trabalho sempre limpa e bem iluminada.** Desordem ou áreas de trabalho insuficientemente iluminadas podem levar a acidentes.
- ▶ **Não trabalhar com a ferramenta eléctrica em áreas com risco de explosão, nas quais se encontrem líquidos, gases ou pós inflamáveis.** Ferramentas eléctricas produzem faíscas, que podem inflamar pós ou vapores.
- ▶ **Manter crianças e outras pessoas afastadas da ferramenta eléctrica durante a utilização.** No caso de distração é possível que perca o controlo sobre o aparelho.

#### Segurança eléctrica

- ▶ **A ficha de conexão da ferramenta eléctrica deve caber na tomada. A ficha não deve ser modificada de maneira alguma. Não utilizar uma ficha de adaptação junto com ferramentas eléctricas protegidas por ligação à terra.** Fichas não modificadas e tomadas apropriadas reduzem o risco de um choque eléctrico.
- ▶ **Evitar que o corpo possa entrar em contacto com superfícies ligadas à terra, como tubos, aquecimentos, fogões e frigoríficos.** Há um risco

elevado devido a choque eléctrico, se o corpo estiver ligado à terra.

- ▶ **Manter o aparelho afastado de chuva ou humidade.** A infiltração de água numa ferramenta eléctrica aumenta o risco de choque eléctrico.
- ▶ **Não deverá utilizar o cabo para outras finalidades. Nunca utilizar o cabo para transportar a ferramenta eléctrica, para pendurá-la, nem para puxar a ficha da tomada. Manter o cabo afastado do calor, do óleo, de arestas afiadas ou de peças em movimento.** Cabos danificados ou emaranhados aumentam o risco de um choque eléctrico.
- ▶ **Se trabalhar com uma ferramenta eléctrica ao ar livre, só deverá utilizar cabos de extensão apropriados para áreas exteriores.** A utilização de um cabo de extensão apropriado para áreas exteriores reduz o risco de um choque eléctrico.
- ▶ **Se não for possível evitar o funcionamento da ferramenta eléctrica em áreas húmidas, deverá ser utilizado um disjuntor de corrente de avaria.** A utilização de um disjuntor de corrente de avaria reduz o risco de um choque eléctrico.

#### Segurança de pessoas

- ▶ **Esteja atento, observe o que está a fazer e tenha prudência ao trabalhar com a ferramenta eléctrica. Não utilizar uma ferramenta eléctrica quando estiver fatigado ou sob a influência de drogas, álcool ou medicamentos.** Um momento de descuido ao utilizar a ferramenta eléctrica, pode levar a lesões graves.
- ▶ **Utilizar equipamento de protecção individual. Utilizar sempre óculos de protecção.** A utilização de equipamento de protecção pessoal, como máscara de protecção contra pó, sapatos de segurança antiderrapantes, capacete de segurança ou protecção auricular, de acordo com o tipo e aplicação da ferramenta eléctrica, reduz o risco de lesões.
- ▶ **Evitar uma colocação em funcionamento involuntária. Assegure-se de que a ferramenta eléctrica esteja desligada, antes de conectá-la à alimentação de rede e/ou ao acumulador, antes de levantá-la ou de transportá-la.** Se tiver o dedo no interruptor ao transportar a ferramenta eléctrica ou se o aparelho for conectado à alimentação de rede enquanto estiver ligado, poderão ocorrer acidentes.
- ▶ **Remover ferramentas de ajuste ou chaves de boca antes de ligar a ferramenta eléctrica.** Uma ferramenta ou chave que se encontre numa parte do aparelho em movimento pode levar a lesões.
- ▶ **Evite uma posição anormal. Mantenha uma posição firme e mantenha sempre o equilíbrio.** Desta forma é mais fácil controlar a ferramenta eléctrica em situações inesperadas.
- ▶ **Usar roupa apropriada. Não usar roupa larga nem jóias. Mantenha os cabelos e roupas afastados de peças em movimento.** Roupas frouxas, cabelos longos ou jóias podem ser agarrados por peças em movimento.

- ▶ **Se for possível montar dispositivos de aspiração ou de recolha, assegure-se de que estejam conectados e utilizados correctamente.** A utilização de uma aspiração de pó pode reduzir o perigo devido ao pó.
- ▶ **Não deixe que a familiaridade resultante de uma utilização frequente de ferramentas permita que você se torne complacente e ignore os princípios de segurança da ferramenta.** Uma acção descuidada pode causar ferimentos graves numa fracção de segundo.

#### Utilização e manuseio cuidadoso de ferramentas eléctricas

- ▶ **Não sobrecarregue a ferramenta eléctrica. Utilize a ferramenta eléctrica apropriada para o seu trabalho.** É melhor e mais seguro trabalhar com a ferramenta eléctrica apropriada na área de potência indicada.
- ▶ **Não utilizar uma ferramenta eléctrica com um interruptor defeituoso.** Uma ferramenta eléctrica que não pode mais ser ligada nem desligada, é perigosa e deve ser reparada.
- ▶ **Puxar a ficha da tomada e/ou remover o acumulador, se amovível, antes de executar ajustes na ferramenta eléctrica, de substituir acessórios ou de guardar as ferramentas eléctricas.** Esta medida de segurança evita o arranque involuntário da ferramenta eléctrica.
- ▶ **Guardar ferramentas eléctricas não utilizadas fora do alcance de crianças e não permitir que as pessoas que não estejam familiarizadas com o aparelho ou que não tenham lido estas instruções utilizem o aparelho.** Ferramentas eléctricas são perigosas se forem utilizadas por pessoas inexperientes.
- ▶ **Tratar a ferramenta eléctrica e os acessórios com cuidado. Controlar se as partes móveis do aparelho funcionam perfeitamente e não emperram, e se há peças quebradas ou danificadas que possam prejudicar o funcionamento da ferramenta eléctrica. Permitir que peças danificadas sejam reparadas antes da utilização.** Muitos acidentes têm como causa, a manutenção insuficiente de ferramentas eléctricas.
- ▶ **Manter as ferramentas de corte afiadas e limpas.** Ferramentas de corte cuidadosamente tratadas e com cantos de corte afiados emperram com menos frequência e podem ser conduzidas com maior facilidade.
- ▶ **Utilizar a ferramenta eléctrica, acessórios, ferramentas de aplicação, etc. conforme estas instruções. Considerar as condições de trabalho e a tarefa a ser executada.** A utilização de ferramentas eléctricas para outras tarefas a não ser as aplicações previstas, pode levar a situações perigosas.
- ▶ **Mantenha os punhos e as superfícies de agarrar secas, limpas e livres de óleo e massa consistente.** Punhos e superfícies de agarrar escorregadias não permitem o manuseio e controle seguros da ferramenta em situações inesperadas.

### Manuseio e utilização cuidadosos de ferramentas com acumuladores

- ▶ **Só carregar acumuladores em carregadores recomendados pelo fabricante.** Há perigo de incêndio se um carregador apropriado para um certo tipo de acumuladores for utilizado para carregar acumuladores de outros tipos.
- ▶ **Só utilizar ferramentas eléctricas com os acumuladores apropriados.** A utilização de outros acumuladores pode levar a lesões e perigo de incêndio.
- ▶ **Manter o acumulador que não está sendo utilizado afastado de cliques, moedas, chaves, parafusos ou outros pequenos objectos metálicos que possam causar um curto-circuito dos contactos.** Um curto-circuito entre os contactos do acumulador pode ter como consequência queimaduras ou fogo.
- ▶ **No caso de aplicação incorrecta pode vaziar líquido do acumulador. Evitar o contacto. No caso de um contacto accidental, deverá enxaguar com água. Se o líquido entrar em contacto com os olhos, também deverá consultar um médico.** Líquido que escapa do acumulador pode levar a irritações da pele ou a queimaduras.
- ▶ **Não use um acumulador ou uma ferramenta danificada ou modificada.** Os acumuladores danificados ou modificados exibem um comportamento imprevisível podendo causar incêndio, explosão ou risco de lesão.
- ▶ **Não exponha o acumulador ou a ferramenta ao fogo ou temperatura excessiva.** A exposição ao fogo ou a temperaturas acima de 130 °C pode causar explosão.
- ▶ **Siga todas as instruções de carregamento e não carregue o acumulador ou a ferramenta fora da faixa de temperatura especificada no manual de instruções.** Carregar indevidamente ou em temperaturas fora da faixa especificada pode danificar o acumulador e aumentar o risco de incêndio.

### Serviço

- ▶ **Só permita que o seu aparelho seja reparado por pessoal especializado e qualificado e só com peças de reposição originais.** Desta forma é assegurado o funcionamento seguro do aparelho.
- ▶ **Nunca tente reparar acumuladores danificados.** A reparação de acumuladores deve ser realizada apenas pelo fabricante ou agentes de assistência autorizados.

### Instruções de segurança para minitupias

- ▶ **Use grampos ou outra forma prática para fixar e suportar a peça numa plataforma estável.** Segurar a peça com a mão ou contra o seu corpo deixa-a instável e pode levar à perda de controlo.
- ▶ **O número de rotações admissível da fresa deve ser no mínimo tão alto quanto o número de rotações máximo indicado na ferramenta eléctrica.** As fresas que rodam mais depressa do que o admissível podem quebrar e ser projetadas.

- ▶ **Fresas ou outros acessórios devem caber exatamente no encabadouro da ferramenta (pinça de aperto) da sua ferramenta eléctrica.** Ferramentas acopláveis, que não cabem exatamente no encabadouro da ferramenta eléctrica, giram irregularmente, vibram fortemente e podem levar à perda de controlo.
- ▶ **Só conduzir a ferramenta eléctrica no sentido da peça a ser trabalhada quando estiver ligada.** Caso contrário há risco de um contragolpe, se a ferramenta de aplicação se enganchar na peça a ser trabalhada.
- ▶ **Nunca passe a fresa por cima de objetos de metal, pregos ou parafusos.** A fresa pode ficar danificada e fazer aumentar as vibrações.
- ▶ **Utilizar detetores apropriados, para encontrar cabos escondidos, ou consulte a companhia eléctrica local.** O contacto com cabos eléctricos pode provocar fogo e choques eléctricos. Danos em tubos de gás podem levar à explosão. A infiltração num cano de água provoca danos materiais.
- ▶ **Não utilize fresas embotadas ou danificadas.** Fresas embotadas ou danificadas causam elevada fricção, podem emperrar e levar a desequilíbrio.
- ▶ **Espere que a ferramenta eléctrica pare completamente, antes de depositá-la.** A ferramenta de aplicação pode emperrar e levar à perda de controlo sobre a ferramenta eléctrica.
- ▶ **Em caso de danos e de utilização incorreta da bateria, podem escapar vapores. A bateria pode incendiar-se ou explodir.** Areje o espaço e procure assistência médica no caso de apresentar queixas. É possível que os vapores irrite as vias respiratórias.
- ▶ **Não abrir o acumulador.** Há risco de um curto-circuito.
- ▶ **Os objetos afiados como, p. ex., pregos ou chaves de fendas, assim como o efeito de forças externas podem danificar o acumulador.** Podem causar um curto-circuito interno e o acumulador pode ficar queimado, deitar fumo, explodir ou sobreaquecer.
- ▶ **Utilize a bateria apenas em produtos do fabricante.** Só assim é que a bateria é protegida contra sobrecarga perigosa.



**Proteger a bateria contra calor, p. ex. também contra uma permanente radiação solar, fogo, sujidade, água e humidade.** Há risco de explosão ou de um curto-circuito.

### Descrição do produto e do serviço



**Leia todas as instruções de segurança e instruções.** A inobservância das instruções de segurança e das instruções pode causar choque eléctrico, incêndio e/ou ferimentos graves.

Respeite as figuras na parte da frente do manual de instruções.

## Utilização adequada

A ferramenta elétrica destina-se a fresar, numa base fixa, cantos e perfis em madeira, plástico e outros materiais leves não metálicos.

## Componentes ilustrados

A numeração dos componentes ilustrados refere-se à apresentação da ferramenta elétrica na página de esquemas.

- (1) Bateria<sup>a)</sup>
- (2) Tecla de destravamento da bateria<sup>a)</sup>
- (3) Indicação monitorização de temperatura/proteção contra sobrecarga
- (4) Indicador do nível de carga da bateria
- (5) Interruptor de ligar/desligar
- (6) Sete de marcação para bloqueio do veio
- (7) Alavanca de bloqueio do veio
- (8) Tecla de ajuste grosseiro da profundidade de fresagem
- (9) Porca de capa com pinça de aperto
- (10) Roda de ajuste para ajuste fino da profundidade de fresagem
- (11) Parafuso de retenção da profundidade de fresagem
- (12) Placa de base
- (13) Punho
- (14) Roda de bloqueio da profundidade de fresagem
- (15) Pinça de aperto
- (16) Encabadouro
- (17) Fresa<sup>a)</sup>
- (18) Chave de bocas (17 mm)
- (19) Coluna de guia lisa

a) **Este acessório não pertence ao volume de fornecimento.**

## Dados técnicos

Minitupia	GKF 12V-8	
Número de produto		<b>3 601 FBO 0..</b>
Tensão nominal	V=	12
Número de rotações em vazio <sup>A)</sup>	r.p.m.	13000
Pinças de aperto compatíveis	mm polegadas	6/8 ¼
Curso do cesto de fresar	mm	36
Peso <sup>B)</sup>	kg	1,3–1,5
Temperatura ambiente recomendada durante o carregamento	°C	0 ... +35
Temperatura ambiente admissível em funcionamento <sup>C)</sup> e durante o armazenamento	°C	-20 ... +50

Minitupia	GKF 12V-8	
Baterias recomendadas		GBA 12V...
Carregadores recomendados		GAL 12... GAX 18...

A) Medido a 20–25 °C com bateria **GKA 12V 3.0Ah**.

B) dependendo da bateria utilizada

C) potência limitada perante temperaturas < 0 °C

Os valores podem variar em função do produto e estar sujeitos a condições de aplicação e do meio ambiente. Para mais informações consulte [www.bosch-professional.com/wac](http://www.bosch-professional.com/wac).

## Informação sobre ruídos/vibrações

Os valores de emissão de ruído determinados de acordo com **EN 62841-2-17**.

O nível de pressão sonora avaliado como A da ferramenta elétrica é normalmente de **74 dB(A)**. Incerteza K = 3 dB. O nível sonoro durante os trabalhos pode ultrapassar os valores indicados. **Usar proteção auditiva!**

Valores totais de vibração  $a_h$  (soma dos vetores das três direções) e incerteza K determinada segundo **EN 62841-2-17**:  $a_h < 2,5 \text{ m/s}^2$ , K = **1,5**  $\text{m/s}^2$ .

O nível de vibrações indicado nestas instruções e o valor de emissões sonoras foram medidos de acordo com um processo de medição normalizado e podem ser utilizados para a comparação de ferramentas elétricas. Também são adequados para uma avaliação provisória das emissões sonoras e de vibrações.

O nível de vibrações indicado e o valor de emissões sonoras representam as aplicações principais da ferramenta elétrica. Se a ferramenta elétrica for utilizada para outras aplicações, com outras ferramentas de trabalho ou com manutenção insuficiente, é possível que o nível de vibrações e de emissões sonoras seja diferente. Isto pode aumentar sensivelmente a emissão sonora e de vibrações para o período completo de trabalho.

Para uma estimativa exata da emissão sonora e de vibrações, também deveriam ser considerados os períodos nos quais o aparelho está desligado ou funciona, mas não está sendo utilizado. Isto pode reduzir a emissão sonora e de vibrações durante o completo período de trabalho.

Além disso também deverão ser estipuladas medidas de segurança para proteger o operador contra o efeito de vibrações, como por exemplo: manutenção de ferramentas elétricas e acessórios, manter as mãos quentes e organização dos processos de trabalho.

## Bateria

**Bosch** vende ferramentas elétricas sem fio também sem bateria. Pode consultar na embalagem se está incluída uma bateria no volume de fornecimento da sua ferramenta elétrica.

## Carregar a bateria

► **Utilize apenas os carregadores listados nos dados técnicos.** Só estes carregadores são apropriados para os baterias de lítio utilizadas para a sua ferramenta elétrica.

**Nota:** devido a normas de transporte internacionais, as baterias de lítio são fornecidas parcialmente carregadas. Para assegurar a completa potência da bateria, a bateria deverá ser carregada completamente antes da primeira utilização.

### Colocar a bateria

Insira a bateria carregada no respetivo encaixe, até que esta esteja engatada.

### Retirar a bateria

Para retirar a bateria, pressione as respetivas teclas de desbloqueio e puxe a bateria para fora. **Não empregue força.**

### Indicador do nível de carga da bateria

Os 3 LEDs verdes do indicador do nível de carga da bateria indicam o nível de carga da bateria. O indicador do nível de carga só se acende após 5 s depois de se ligar a ferramenta.

LED	Capacidade
Luz permanente 3 × verde	60–100 %
Luz permanente 2 × verde	30–60 %
Luz permanente 1 × verde	5–30 %
Luz intermitente 1 × verde	0–5 %

### Indicação para a monitorização de temperatura/proteção contra sobrecarga

O indicador LED vermelho ajuda a proteger a bateria contra sobreaquecimento e o motor contra sobrecarga.

Se o indicador LED **se acender permanentemente a vermelho**, a temperatura da bateria está demasiado alta e a ferramenta elétrica desliga-se automaticamente.

- Desligue a ferramenta elétrica.
- Deixe a bateria arrefecer antes de continuar a trabalhar.

Se o indicador LED **piscar a vermelho**, a ferramenta elétrica está bloqueada e desliga-se automaticamente.

Retire a ferramenta elétrica da peça de trabalho.

Assim que o bloqueio for eliminado, a ferramenta elétrica retoma o trabalho.

### Indicações sobre o manuseio ideal da bateria

Proteger a bateria contra humidade e água.

Armazene a bateria apenas na faixa de temperatura de -20 °C a 50 °C. Por exemplo, não deixe a bateria dentro do automóvel no verão.

Limpar de vez em quando as aberturas de ventilação da bateria com um pincel macio, limpo e seco.

Um tempo de funcionamento reduzido após o carregamento indica que a bateria está gasta e que deve ser substituída.

Observe as indicações sobre a eliminação de forma ecológica.

## Montagem

- ▶ **Antes de qualquer trabalho na ferramenta elétrica (p. ex. manutenção, troca de ferramenta, etc.) retire a**

**bateria da mesma.** Há perigo de ferimentos se o interruptor de ligar/desligar for acionado involuntariamente.

### Troca de ferramenta

- ▶ **Para colocar e trocar as fresas, é recomendado utilizar luvas de proteção.**

Ferramentas de fresagem originais do vasto programa de acessórios **Bosch** podem ser adquiridas através do seu revendedor especializado.

#### Trocar a pinça de aperto (ver figuras A–B)

Consoante a fresa usada, antes de colocar a fresa, tem de se trocar a porca de capa pela pinça de aperto (9).

Se já estiver montada a pinça de aperto correta para a fresa, seguir os passos de trabalho na secção.

A pinça de aperto (15) tem de assentar com alguma folga na porca de capa. A porca de capa (9) tem de ser fácil de montar. Se a porca de capa ou a pinça de aperto estiverem danificadas, deverão ser substituídas imediatamente.

Puxe a alavanca de bloqueio do veio (7) até à seta de marcação (6) na carcaça. Se necessário, rode o veio do motor à mão até ficar bloqueado. São possíveis seis posições deslocadas em 60°.

Desaperte a porca de capa (9) rodando-a para a esquerda com a chave de bocas (18).

Se necessário, todas as partes a serem montadas devem ser limpas com um pincel macio, ou com ar comprimido, antes da montagem.

Colocar a porca de capa nova no encabudoiro (16).

Afrouxar a porca de capa.

Empurre a alavanca de bloqueio do veio (7) de volta para a carcaça.

- ▶ **Nunca apertar a pinça de aperto com a porca de capa, enquanto não estiver montada uma fresa.** Caso contrário, pode danificar a pinça de aperto.

#### Introduzir fresa (ver figura C)

- ▶ **Para colocar e trocar as fresas, é recomendado utilizar luvas de proteção.**

Dependendo da aplicação, estão disponíveis ferramentas de fresagem de diversos modelos e qualidades.

**As fresas de aço de corte rápido de alto rendimento (HSS)** são adequadas para o processamento de materiais macios, como p. ex., madeira macia e plástico.

**Fresas com gumes de metal duro (HM)** são especialmente indicadas para materiais abrasivos e duros, como p. ex. madeira dura e alumínio.

Ferramentas de fresagem originais do vasto programa de acessórios Bosch podem ser adquiridas através do seu revendedor especializado.

Só utilizar ferramentas de fresagem limpas e em perfeitas condições.

Puxe a alavanca de bloqueio do veio (7) até à seta de marcação (6) na carcaça. Se necessário, rode o veio do motor à mão até ficar bloqueado. São possíveis seis posições deslocadas em 60°.

Desaperte a porca de capa (9) rodando-a para a esquerda com a chave de bocas (18).

Introduza a fresa na pinça de aperto. A haste da fresa deve ser introduzida, no mínimo 20 mm, na pinça de aperto.

Reapertar a porca de capa no sentido horário.

Empurre a alavanca de bloqueio do veio (7) de volta para a carcaça.

- ▶ **Nunca apertar a pinça de aperto com a porca de capa, enquanto não estiver montada uma fresa.** Caso contrário, pode danificar a pinça de aperto.

### Aspiração de pó/de aparas

Pós de materiais como por exemplo, tintas que contém chumbo, alguns tipos de madeira, minerais e metais, podem ser nocivos à saúde. O contacto ou a inalação dos pós pode provocar reações alérgicas e/ou doenças nas vias respiratórias do utilizador ou das pessoas que se encontrem por perto.

Certos pós, como por exemplo pó de carvalho e faia são considerados como sendo cancerígenos, especialmente quando juntos com substâncias para o tratamento de madeiras (cromato, preservadores de madeira). Material que contém asbesto só deve ser processado por pessoal especializado.

- Assegurar uma boa ventilação do local de trabalho.
- É recomendável usar uma máscara de proteção respiratória com filtro da classe P2.

Observe as diretivas para os materiais a serem processados, vigentes no seu país.

- ▶ **Evite a acumulação de pó no local de trabalho.** Pós podem entrar levemente em ignição.

## Funcionamento

### Ajustar a profundidade de fresagem (ver figuras D–E)

- ▶ **O ajuste da profundidade de fresagem só pode ser feito com a ferramenta elétrica desligada.**

Colocar a ferramenta elétrica com a fresa montada sobre a peça a ser trabalhada.

Rode a roda de bloqueio (14) cerca de meia volta para a esquerda para desbloquear o ajuste da profundidade de fresagem.

Pressione a tecla (8) de ajuste grosseiro da profundidade de fresagem e mantenha-a premida. Movimento o motor para cima e para baixo e ajuste de forma grosseira a profundidade de fresagem desejada. Solte a tecla (8).

Ajuste com a roda (10) a profundidade de fresagem exata. Uma volta da roda altera a profundidade de fresagem em 1 mm.

Bloqueie o ajuste da profundidade de fresagem rodando a roda de bloqueio (14) cerca de meia volta para a direita.

Controlar o ajuste da profundidade de fresagem através de um ensaio prático e corrigir se necessário.

Para fixar a profundidade de fresagem ajustada de forma definitiva, aperte o parafuso de retenção (11) na roda (10) do ajuste fino da profundidade de fresagem.

### Colocação em funcionamento

#### Ligar/desligar

Para **ligar** a ferramenta elétrica, empurre o interruptor de ligar/desligar (5) para baixo, para que apareça no interruptor I.

Para **desligar** a ferramenta elétrica, empurre o interruptor de ligar/desligar (5) para cima, para que apareça no interruptor 0.

### Instruções de trabalho

- ▶ **Proteger as fresas contra golpes e pancadas.**

#### Sentido e processo de fresagem (ver figuras F–G)

- ▶ **A fresagem deve ocorrer sempre no sentido oposto ao da rotação da fresa (17) (sentido contrário).** Se fresar no mesmo sentido da fresa (sentido igual) a ferramenta elétrica pode fugir-lhe da mão.

**Nota:** Certifique-se de que a fresa (17) está sempre saliente da placa de base (12). Não danificar o escantilhão ou a peça de trabalho.

Ajustar a profundidade de fresagem desejada.

Ligar a ferramenta elétrica e aproximar do local a trabalhar.

Realizar o processo de fresagem com avanço uniforme.

Desligar a ferramenta elétrica depois de fresar.

- ▶ **Não depositar a ferramenta elétrica, antes que a fresa esteja completamente parada.** Ferramentas de trabalho em funcionamento de inércia podem causar lesões.

#### Fresar arestas ou formas (ver figura H)

Ao fresar arestas ou formas sem limitador paralelo, é necessário que a ferramenta de fresagem esteja equipada com um espigão de guia ou com um rolamento de esferas.

Aproximar a ferramenta elétrica ligada lateralmente da peça, até o espigão de guia ou o rolamento de esferas da fresa assentar na aresta da peça a ser trabalhada.

Conduzir a ferramenta elétrica ao longo da aresta da peça.

Assegurar um apoio no ângulo correto. Uma pressão demasiado alta pode danificar a aresta da peça.

Para fresar arestas ou formas são válidas as seguintes medidas de peça máximas:

Material	Raio mm	Fase mm
Madeira dura	10	6
Madeira macia	12	10
Plástico	12	10
Placas MDF	12	10
Placas multiplex	10	6

## Manutenção e assistência técnica

### Manutenção e limpeza

- ▶ **Antes de qualquer trabalho na ferramenta elétrica (p. ex. manutenção, troca de ferramenta, etc.) retire a bateria da mesma.** Há perigo de ferimentos se o interruptor de ligar/desligar for acionado involuntariamente.
- ▶ **Manter a ferramenta elétrica e as aberturas de ventilação sempre limpas, para trabalhar bem e de forma segura.**

Depois de usar a ferramenta elétrica, limpe-a com um aspirador, pincel ou escova. Certifique-se de que as colunas de guia não têm pó de madeira. Lubrifique a coluna de guia lisa (19) com uma gota de lubrificante (ver figura I).

### Serviço pós-venda e aconselhamento

O serviço pós-venda responde às suas perguntas a respeito de serviços de reparação e de manutenção do seu produto, assim como das peças sobressalentes. Desenhos explodidos e informações sobre peças sobressalentes encontram-se em: [www.bosch-pt.com](http://www.bosch-pt.com)

A nossa equipa de consultores Bosch esclarece com prazer todas as suas dúvidas a respeito dos nossos produtos e acessórios.

Indique para todas as questões e encomendas de peças sobressalentes a referência de 10 dígitos de acordo com a placa de características do produto.

#### Brasil

Robert Bosch Ltda. – Divisão de Ferramentas Elétricas  
Rodovia Anhanguera, Km 98 - Parque Via Norte  
13065-900, CP 1195  
Campinas, São Paulo  
Tel.: 0800 7045 446  
[www.bosch.com.br/contato](http://www.bosch.com.br/contato)

#### Outros endereços de serviço encontram-se em:

[www.bosch-pt.com/serviceaddresses](http://www.bosch-pt.com/serviceaddresses)

### Transporte

As baterias de íons de lítio recomendadas estão sujeitas às leis de materiais perigosos. As baterias podem ser transportadas na rua pelo utilizador, sem mais obrigações. No caso de envio por terceiros (por ex.: transporte aéreo ou expedição), devem ser observadas as especiais exigências quanto à embalagem e à designação. Neste caso é necessário consultar um especialista de materiais perigosos ao preparar a peça a ser trabalhada.

Baterias só devem ser transportadas se a carcaça estiver em perfeito estado. Colar contactos abertos e embalar a bateria de modo que não possa se movimentar dentro da embalagem. Respeite também outras disposições nacionais eventualmente existentes.

### Eliminação



As ferramentas elétricas, as baterias, os acessórios e as embalagens devem ser enviados a uma reciclagem ecológica de matéria prima.



Não deitar ferramentas elétricas e baterias/pilhas no lixo doméstico!

#### Baterias/pilhas:

##### Lítio:

Observar as indicações no capítulo Transporte (ver "Transporte", Página 23).

## 中文

### 安全规章

#### 电动工具通用安全警告

**警告！** 阅读随电动工具提供的所有安全警告、说明、图示和规定。

不遵照以下所列说明会导致电击、着火和/或严重伤害。

保存所有警告和说明书以备查阅。

警告中的术语“电动工具”是指市电驱动（有线）电动工具或电池驱动（无线）电动工具。

#### 工作场地的安全

- ▶ **保持工作场地清洁和明亮。** 杂乱和黑暗的场地会引发事故。
- ▶ **不要在易爆环境，如有易燃液体、气体或粉尘的环境下操作电动工具。** 电动工具产生的火花会点燃粉尘或气体。
- ▶ **操作电动工具时，远离儿童和旁观者。** 注意力不集中会使你失去对工具的控制。

#### 电气安全

- ▶ **电动工具插头必须与插座相配。** 绝不能以任何方式改装插头。需接地的电动工具不能使用任何转换插头。未经改装的插头和相配的插座将降低电击风险。
- ▶ **避免人体接触接地表面，如管道、散热片和冰箱。** 如果你身体接触接地表面会增加电击风险。
- ▶ **不得将电动工具暴露在雨中或潮湿环境中。** 水进入电动工具将增加电击风险。
- ▶ **不得滥用软线。** 绝不能用软线搬运、拉动电动工具或拔出其插头。使软线远离热源、油、锐边或运动部件。受损或缠绕的软线会增加电击风险。
- ▶ **当在户外使用电动工具时，使用适合户外使用的延长线。** 适合户外使用的电线将降低电击风险。

- ▶ 如果无法避免在潮湿的环境中操作电动工具，应使用带有剩余电流装置（RCD）保护的电源。RCD的使用可降低电击风险。

### 人身安全

- ▶ 保持警觉，当操作电动工具时关注所从事的操作并保持清醒。当你感到疲倦，或在有药物、酒精或治疗反应时，不要操作电动工具。在操作电动工具时瞬间的疏忽会导致严重人身伤害。
- ▶ 使用个人防护装置。始终佩戴护目镜。防护装置，诸如适当条件下使用防尘面具、防滑安全鞋、安全帽、听力防护等装置能减少人身伤害。
- ▶ 防止意外起动。在连接电源和/或电池包、拿起或搬运工具前确保开关处于关断位置。手指放在开关上搬运工具或开关处于接通时通电会导致危险。
- ▶ 在电动工具接通之前，拿掉所有调节钥匙或扳手。遗留在电动工具旋转零件上的扳手或钥匙会导致人身伤害。
- ▶ 手不要过分伸展。时刻注意立足点和身体平衡。这样能在意外情况下能更好地控制住电动工具。
- ▶ 着装适当。不要穿宽松衣服或佩戴饰品。让你的头发和衣服远离运动部件。宽松衣服、佩饰或长发可能会卷入运动部件。
- ▶ 如果提供了与排屑、集尘设备连接用的装置，要确保其连接完好且使用得当。使用集尘装置可降低尘屑引起的危险。
- ▶ 不要因为频繁使用工具而产生的熟悉感而掉以轻心，忽视工具的安全准则。某个粗心的动作可能在瞬间导致严重的伤害。

### 电动工具使用和注意事项

- ▶ 不要勉强使用电动工具，根据用途使用合适的电动工具。选用合适的按照额定值设计的电动工具会使你工作更有效、更安全。
- ▶ 如果开关不能接通或关断电源，则不能使用该电动工具。不能通过开关来控制的电动工具是危险的且必须进行修理。
- ▶ 在进行任何调节、更换附件或贮存电动工具之前，必须从电源上拔掉插头和/或卸下电池包（如可拆卸）。这种防护性的安全措施降低了电动工具意外起动的风险。
- ▶ 将闲置不用的电动工具贮存在儿童所及范围之外，并且不允许不熟悉电动工具和不了解这些说明的人操作电动工具。电动工具在未经培训的使用者手中是危险的。
- ▶ 维护电动工具及其附件。检查运动部件是否调整到位或卡住，检查零件破损情况和影响电动工具运行的其他状况。如有损坏，应在使用前修理好电动工具。许多事故是由维护不良的电动工具引发的。
- ▶ 保持切削刀具锋利和清洁。维护良好地有锋利切削刀的刀具不易卡住而且容易控制。
- ▶ 按照使用说明书，并考虑作业条件和要进行的作业来选择电动工具、附件和工具的刀头等。将电动工具用于那些与其用途不符的操作可能会导致危险情况。

- ▶ 保持手柄和握持表面干燥、清洁，不得沾有油脂。在意外的情况下，湿滑的手柄不能保证握持的安全和对工具的控制。

### 电池式工具使用和注意事项

- ▶ 仅使用生产者规定的充电器充电。将适用于某种电池包的充电器用到其他电池包时可能会发生着火危险。
- ▶ 仅使用配有专用电池包的电动工具。使用其他电池包可能会产生伤害和着火危险
- ▶ 当电池包不用时，将它远离其他金属物体，例如回形针、硬币、钥匙、钉子、螺钉或其他小金属物体，以防电池包一端与另一端连接。电池组端部短路可能会引起燃烧或着火。
- ▶ 在滥用条件下，液体可能会从电池组中溅出；应避免接触。如果意外碰到液体，用水冲洗。如果液体碰到了眼睛，还应寻求医疗帮助。从电池中溅出的液体可能会发生腐蚀或燃烧。
- ▶ 不要使用损坏或改装过的电池包或工具。损坏或改装过的电池组可能呈现无法预测的结果，导致着火、爆炸或伤害。
- ▶ 不要将电池包暴露于火或者高温中。电池包暴露于火或高于130 °C的高温中可能导致爆炸。
- ▶ 遵守所有充电说明，给电池组或工具充电时不要超出说明中规定的温度范围。错误充电或温度超出规定的范围可能会损坏电池并提高着火的风险。

### 维修

- ▶ 由专业维修人员使用相同的备件维修电动工具。这将保证所维修的电动工具的安全。
- ▶ 决不能维修损坏的电池包。电池包仅能由生产者或其授权的维修服务商进行维修。

### 修边机安全规章

- ▶ 使用夹具或其他实用方法将工件固定和支撑在稳定的工作台面。用手或身体固定工件会使工件不稳引起失控。
- ▶ 铣刀的允许转速必须至少等于电动工具上标出的最高转速。如果铣刀转速比允许的转速更快，铣刀可能会折断和飞出。
- ▶ 铣刀或其他附件必须与您的电动工具的夹头（夹钳）精准配合。如果切削附件未与电动工具的夹头精准配合，切削附件会旋转不均匀、剧烈震动并可能导致失控。
- ▶ 先开动电动工具后再把工具放置在工件上切割。如果电动工具被夹在工件中，会有反弹的危险。
- ▶ 铣削时，铣刀不可以接触金属、钉子或螺丝。如此会损坏铣刀，而且会造成强烈震动。
- ▶ 使用合适的侦测装置侦察隐藏的电线，或者向当地的相关单位寻求支援。接触电线可能引起火灾并让操作者触电。损坏了瓦斯管会引起爆炸。如果水管被刺穿了会导致财物损失。
- ▶ 不得使用已经变钝或受损的铣刀。变钝或受损的铣刀导致摩擦力增大，可能会卡住或失去平衡。



- ▶ 等待电动工具完全静止后才能够放下机器。机器上的工具可能在工作中被夹住，而令您无法控制电动工具。
- ▶ 如果充电电池损坏或者未按照规定使用，充电电池中会散发出有毒蒸汽。充电电池可能会燃烧或爆炸。工作场所必须保持空气流通，如果身体有任何不适必须马上就医。蒸汽会刺激呼吸道。
- ▶ 切勿打开充电电池。可能造成短路。
- ▶ 钉子、螺丝刀等尖锐物品或外力作用可能会损坏充电电池。有可能出现内部短路、蓄电池燃烧、发出烟雾、爆炸或过热。
- ▶ 仅在制造商的产品中使用充电电池。这样才能确保充电电池不会过载。



**保护充电电池免受高温（例如长期阳光照射）、火焰、脏污、水和湿气的侵害。有爆炸和短路的危险。**



## 产品和性能说明



**请阅读所有安全规章和指示。**不遵照以下警告和说明可能导致电击、着火和/或严重伤害。

请注意本使用说明书开头部分的图示。

### 按照规定使用

本电动工具用于在固定放置的木材、塑料和非金属轻型建筑材料上铣削边缘和轮廓。

### 插图上的机件

机件的编号和电动工具详解图上的编号一致。

- (1) 充电电池<sup>a)</sup>
- (2) 充电电池解锁键<sup>a)</sup>
- (3) 温度监控/过载保护指示灯
- (4) 充电电池电量指示灯
- (5) 电源开关
- (6) 主轴锁定标志箭头
- (7) 主轴锁定杆
- (8) 铣削深度粗调按钮
- (9) 带夹钳的锁紧螺母
- (10) 微调铣深的调整轮
- (11) 铣削深度调节固定螺丝
- (12) 底板
- (13) 手柄
- (14) 铣削深度调节锁定轮
- (15) 夹钳
- (16) 工具夹头
- (17) 铣刀<sup>a)</sup>
- (18) 开口扳手（17毫米）
- (19) 光滑的导向柱

a) 该附件并不包含在基本的供货范围内。

## 技术数据

修边机		GKF 12V-8
物品代码		3 601 FB0 0..
额定电压	伏特=	12
空载转速 <sup>A)</sup>	转/分钟	13000
兼容的夹钳	毫米	6/8
	英寸	¼
铣篮行程	毫米	36
重量 <sup>B)</sup>	公斤	1.3-1.5
充电时建议的环境温度	摄氏度	0至+35
	摄氏度	-20至+50
工作时和存放时允许的环境温度 <sup>C)</sup>		
推荐的充电电池		GBA 12V...
推荐的充电器		GAL 12...
		GAX 18...

A) 在20-25摄氏度的条件下带充电电池**GBA 12V 3.0Ah**测得

B) 视所使用的充电电池而定

C) 温度<0摄氏度时功率受限

数值可能因不同产品而异，并且受到应用和环境条件影响。更多信息请参见[www.bosch-professional.com/wac](http://www.bosch-professional.com/wac)。

## 充电电池

**Bosch**也销售不带充电电池的充电式电动工具。您可以在包装上查看电动工具的供货范围内是否包含充电电池。

### 为充电电池充电

- ▶ **请只使用在技术参数中列出的充电器。**只有这些充电器才适用于本电动工具上的锂离子电池。

**提示：**鉴于国际运输规定，锂离子电池在交货时只完成部分充电。首度使用电动工具之前，必须先充足充电电池的电量以确保充电电池的功率。

### 安装充电电池

将充好电的充电电池推入电池座，直到嵌入。

### 取出充电电池

如需取下充电电池，则请按压解锁按钮，然后拔出充电电池。**在此过程中请勿过度用力。**

### 充电电池电量指示灯

充电电池电量指示灯的3个绿色LED灯显示充电电池的电量。电量指示灯在接通后只亮起5秒。

LED	电量
3个绿灯长亮	60-100 %
2个绿灯长亮	30-60 %
1个绿灯长亮	5-30 %
1个绿灯闪烁	0-5 %

### 温度监控/过载保护指示灯

红色LED指示灯帮助您避免充电电池过热和电机过载。

如果红色LED信号灯**长亮**，表示充电电池的温度过高，电动工具会自动关闭。

– 关闭电动工具。

– 先让充电电池冷却，然后再继续操作。

如果红色LED信号灯**闪烁**，表示电动工具卡住并会自动关闭。

将电动工具从工件中拉出。

一旦排除卡滞，电动工具会继续工作。

### 如何正确地使用充电电池

保护充电电池，避免湿气和水分渗入。

充电电池必须储存在-20 °C至50 °C的环境中。夏天不得将充电电池搁置在汽车中。

不定时地使用柔软，清洁而且干燥的毛刷清洁充电电池的通气孔。

充电后如果充电电池的使用时间明显缩短，代表充电电池已经损坏，必须更换新的充电电池。

请注意有关作废处理的规定。

## 安装

► **对电动工具执行任何操作（比如保养、更换刀具等）前需将充电电池从电动工具中取出。**意外操作起停开关可能会造成伤害。

### 更换工具

► **安装和更换铣刀时，最好戴上防护手套。**

您可以向您的专业经销商，购买Bosch附件系列中的各式各样博世原厂铣刀。

#### 更换夹钳（参见插图A-B）

视所使用的铣刀而定，装入铣刀前必须用夹钳(9)更换锁紧螺母。

如果铣刀匹配的夹钳已经安装好，请遵循以下段落中的工作步骤。

夹钳(15)必须在锁紧螺母中留有一定的间隙。锁紧螺母(9)必须易于安装。如果锁紧螺母或夹钳损坏，必须马上更换。

拉出主轴锁定杆(7)，直至与外壳上的标志箭头(6)对齐。必要时手动旋转电机主轴，直至卡止。可以有六个相互错开60度的位置。

用开口扳手(18)逆时针拧下锁紧螺母(9)。

必要时得在安装之前，使用软毛刷子或压缩空气清洁所有的安装部件。

将新锁紧螺母装到工具夹头(16)上。

拧转锁紧螺母，但勿拧紧。

将主轴锁定杆(7)推回到外壳中。

► **只要还未安装铣刀，就绝不可张紧夹钳和锁紧螺母。**否则会损坏夹钳。

#### 安装铣刀（参见插图C）

► **安装和更换铣刀时，最好戴上防护手套。**

根据各种用途，本公司提供了不同品质和款式的铣刀。

由高性能高速钢（HSS）制成的铣刀适合加工柔性材料，比如软木和塑料。

由**硬质合金（HM）**制成的铣刀适合加工硬而耐磨的材料，比如硬木和铝。

您可以向您的专业经销商购买博世附件系列中的各式各样博世原厂铣刀。

只能安装完好且干净的铣刀。

拉出主轴锁定杆(7)，直至与外壳上的标志箭头(6)对齐。必要时手动旋转电机主轴，直至卡止。可以有六个相互错开60度的位置。

用开口扳手(18)逆时针拧下锁紧螺母(9)。

把铣刀装入夹钳中。铣刀杆必须至少推入夹钳**20**毫米。

顺时针方向重新拧紧锁紧螺母。

将主轴锁定杆(7)推回到外壳中。

► **只要还未安装铣刀，就绝不可张紧夹钳和锁紧螺母。**否则会损坏夹钳。

### 吸锯尘/吸锯屑

含铅的颜料以及某些木材、矿物和金属的加工废尘有害健康。机器操作者或者工地附近的人如果接触、吸入这些废尘，可能会有过敏反应或者感染呼吸道疾病。

某些尘埃（例如加工橡木或山毛榉的废尘）可能致癌，特别是和处理木材的添加剂（例如木材的防腐剂等）结合之后。只有经过专业训练的人才能够加工含石棉的物料。

– 工作场所要保持空气流通。

– 最好佩戴P2滤网等级的口罩。

请留心并遵守贵国和加工物料有关的法规。

► **避免让工作场所堆积过多的尘垢。**尘垢容易被点燃。

## 运行

### 调整铣削深度（参见插图D-E）

► **仅允许在电动工具关闭时调整铣深。**

把已经装好铣刀的电动工具放在要加工的工件上。

将锁定轮(14)逆时针转动半圈，以解锁铣削深度调节装置。

按压铣削深度粗调按钮(8)并按住。将驱动单元向上或向下移动，粗调到所需的铣削深度。松开按钮(8)。

通过调整轮(10)精确调整铣削深度。调整轮每转动一圈，铣削深度就改变1毫米。

将锁定轮(14)顺时针转动半圈，锁定铣削深度调节装置。

先实际尝试一次以检查设定是否正确，必要时进行修正。

如果需要长久保存调好的铣削深度，可将固定螺丝(11)旋入铣削深度精调整轮(10)中。

### 投入使用

#### 接通/关闭

接通电动工具时，需要向下推动电源开关(5)，使开关上出现I符号。

关闭电动工具时，需要向上推动电源开关(5)，使开关上出现0符号。

## 工作提示

► 保护铣刀免受冲撞和敲击。

铣削方向和铣削过程 (参见插图F-G)

► 必须始终沿铣刀(17)的反方向铣削(逆向运行)。顺着铣刀的转向(同向运作)铣削电动工具可能从您的手上被扯开。

提示：请注意，铣刀(17)始终从底座(12)中突出。不可以损坏模板或工件。

设定所需铣深。

开动电动工具并将它靠在待加工的位置上。

以均匀的进给执行铣削过程。

铣削完后要关闭电动工具。

► 在铣刀完全静止前，不要放下电动工具。如果工具仍继续转动，可能造成伤害。

边缘铣削或形状铣削 (参见插图H)

进行修边或雕刻时如果不使用平行挡块，则必须在铣刀上装配导向榫头或滚珠轴承。

把已经开动的电动工具慢慢地移近工件的边缘，至铣刀上的导向榫头或滚珠轴承接触了工件的边缘为止。

接著沿著工件的边缘推动电动工具，电动工具和工件表面的角度要保持直角，不可倾斜。用力过猛可能会损坏工件的边缘。

下列最大工件尺寸适用于边缘或形状铣削：

物料	半径 毫米	倒角 毫米
硬木	10	6
软木	12	10
塑料	12	10
中密度纤维板	12	10
复合板	10	6

## 维修和服务

### 维护和清洁

► 对电动工具执行任何操作(比如保养、更换刀具等)前需将充电电池从电动工具中取出。意外操作起停开关可能会造成伤害。

► 电动工具和通气孔必须随时保持清洁，以确保工作效率和工作安全。

使用后，请用吸尘器、刷子或扫帚清洁电动工具。确保导向柱无木屑。用一滴润滑剂润滑光滑的导向柱(19) (参见插图I)。

### 客户服务和应用咨询

本公司顾客服务处负责回答有关本公司产品的修理、维护和备件的问题。备件的展开图纸和信息也可查看：[www.bosch-pt.com](http://www.bosch-pt.com)  
博世应用咨询团队乐于就我们的产品及其附件问题提供帮助。

询问和订购备件时，务必提供机器铭牌上标示的10位数物品代码。

### 中国大陆

博世电动工具(中国)有限公司

中国 浙江省 杭州市

滨江区 滨康路567号

102/1F 服务中心

邮政编码：310052

电话：(0571)8887 5566 / 5588

传真：(0571)8887 6688 x 5566# / 5588#

电邮：[bsc.hz@cn.bosch.com](mailto:bsc.hz@cn.bosch.com)

[www.bosch-pt.com.cn](http://www.bosch-pt.com.cn)

### 制造商地址：

Robert Bosch Power Tools GmbH

罗伯特·博世电动工具有限公司

70538 Stuttgart / GERMANY

70538 斯图加特 / 德国

### 其他服务地址请见：

[www.bosch-pt.com/serviceaddresses](http://www.bosch-pt.com/serviceaddresses)

### 搬运

所推荐的锂离子充电电池必须符合危险物品法规。使用者无须另外使用保护包装便可以运送该充电电池。

但是如果将它交由第三者运送(例如：寄空运或委托运输公司)则要使用特殊的包装和标示。此时必须向危险物品专家请教有关寄送危险物品的相关事宜。

确定充电电池的外壳未受损后，才可以寄送充电电池。粘好未加盖的触点并包装好充电电池，不可以让充电电池在包装中晃动。必要时也得注意各国有关的法规。

### 处理废弃物



必须符合环保的方式，回收再利用损坏的电动工具、充电电池、附件和废弃的包装材料。



不可以把电动工具和充电电池/蓄电池丢入一般的家庭垃圾中!

### 充电电池/电池：

#### 锂离子：

请注意“搬运”段落中的指示(参见“搬运”，页 27)确认设置。

## 繁體中文

### 安全注意事項

#### 電動工具一般安全注意事項

**警告** 請詳讀工作臺及電動工具的所有安全警告與使用說明。若不遵照以下列出的指示，將可能導致電擊、著火和/或人員重傷。

保存所有警告和說明書以備查閱。

在所有警告中，「電動工具」此一名詞泛指：以市電驅動的（有線）電動工具或是以電池驅動的（無線）電動工具。

#### 工作場地的安全

- ▶ 保持工作場地清潔和明亮。混亂和黑暗的場地會引發事故。
- ▶ 不要在易爆環境，如有易燃液體、氣體或粉塵的環境下操作電動工具。電動工具產生的火花會點燃粉塵或氣體。
- ▶ 讓兒童和旁觀者離開後操作電動工具。注意力不集中會使您失去對工具的控制。

#### 電氣安全

- ▶ 電動工具插頭必須與插座相配。絕不能以任何方式改裝插頭。需接地的電動工具不能使用任何轉換插頭。未經改裝的插頭和相配的插座將減少電擊危險。
- ▶ 避免人體接觸接地表面，如管道、散熱片和冰箱。如果您身體接地會增加電擊危險。
- ▶ 不得將電動工具暴露在雨中或潮濕環境中。水進入電動工具將增加電擊危險。
- ▶ 不得濫用電線。絕不能用電線搬運、拉動電動工具或拔出其插頭。使電線遠離熱源、油、銳利邊緣或移動零件。受損或纏繞的軟線會增加電擊危險。
- ▶ 當在戶外使用電動工具時，使用適合戶外使用的延長線。適合戶外使用的軟線，將減少電擊危險。
- ▶ 如果在潮濕環境下操作電動工具是不可能的，應使用剩餘電流動作保護器（RCD）。使用RCD可降低電擊危險。

#### 人身安全

- ▶ 保持警覺，當操作電動工具時關注所從事的操作並保持清醒。當您感到疲倦，或在有藥物、酒精或治療反應時，不要操作電動工具。在操作電動工具時瞬間的疏忽會導致嚴重人身傷害。
- ▶ 使用個人防護裝置。始終佩戴防護目鏡。安全裝置，諸如適當條件下使用防塵面具、防滑安全鞋、安全帽、聽力防護等裝置能減少人身傷害。
- ▶ 防止意外起動。確保開關在連接電源和/或電池盒、拿起或搬運工具時處於關閉位置。手指放在已接通電源的開關上或開關處於接通時插入插頭可能會導致危險。

- ▶ 在電動工具接通之前，拿掉所有調節鑰匙或扳手。遺留在電動工具旋轉零件上的扳手或鑰匙會導致人身傷害。
- ▶ 手不要伸展得太長。時刻注意立足點和身體平衡。這樣在意外情況下能很好地控制電動工具。
- ▶ 著裝適當。不要穿寬鬆衣服或佩戴飾品。讓您的衣物及頭髮遠離運動部件。寬鬆衣服、佩飾或長髮可能會捲入運動部件中。
- ▶ 如果提供了與排屑、集塵設備連接用的裝置，要確保他們連接完好且使用得當。使用這些裝置可減少塵屑引起的危險。
- ▶ 切勿因經常使用工具所累積的熟練感而過度自信，輕忽工具的安全守則。任何一個魯莽的舉動都可能瞬間造成人員重傷。

#### 電動工具使用和注意事項

- ▶ 不要濫用電動工具，根據用途使用適當的電動工具。選用適當設計的電動工具會使您工作更有效、更安全。
- ▶ 如果開關不能開啟或關閉工具電源，則不能使用該電動工具。不能用開關來控制的電動工具是危險的且必須進行修理。
- ▶ 在進行任何調整、更換配件或貯存電動工具之前，必須從電源上拔掉插頭並/或取出電池盒。這種防護性措施將減少工具意外起動的危險。
- ▶ 將閒置不用的電動工具貯存在兒童所及範圍之外，並且不要讓不熟悉電動工具或對這些說明不瞭解的人操作電動工具。電動工具在未經培訓的用戶手中是危險的。
- ▶ 保養電動工具與配備。檢查運動件是否調整到位或卡住，檢查零件破損情況和影響電動工具運行的其他狀況。如有損壞，電動工具應在使用前修理好。許多事故由維護不良的電動工具引發。
- ▶ 保持切削刀具鋒利和清潔。保養良好的有鋒利切削刃的刀具不易卡住而且容易控制。
- ▶ 按照使用說明書，考慮作業條件和進行的作業來使用電動工具、配件和工具的刀頭等。將電動工具用於那些與其用途不符的操作可能會導致危險。
- ▶ 把手及握持區應保持乾燥、潔淨，且不得沾染任何油液或油脂。易滑脫的把手及握持區將無法讓您在發生意外狀況時安全地抓緊並控制工具。

#### 電池式工具使用和注意事項

- ▶ 只用製造商規定的充電器充電。將適用於某種電池盒的充電器用到其他電池盒時會發生著火危險。
- ▶ 只有在配有專用電池盒的情況下才使用電動工具。使用其他電池盒會發生損壞和著火危險。
- ▶ 當電池盒不用時，將它遠離其他金屬物體，例如回形針、硬幣、鑰匙、釘子、螺絲或其他小金屬物體，以防一端與另一端連接。電池端部短路會引起燃燒或火災。
- ▶ 在濫用條件下，液體會從電池中濺出；避免接觸。如果意外碰到了，用水沖洗。如果液體碰到了眼睛，還要尋求醫療幫助。從電池中濺出的液體會發生腐蝕或燃燒。

- ▶ **請勿使用已受損或經改裝的電池盒。** 已受損或經改裝的電池組可能出現無法預期的反應，進而導致著火、爆炸或造成人員受傷。
- ▶ **勿讓電池盒或工具靠近火源或暴露於異常溫度環境中。** 若是靠近火源或暴露在超過 130 °C 的環境中可能造成爆炸。
- ▶ **請完全遵照所有的充電說明，電池盒或工具的温度若是超出指示的規定範圍，請勿進行充電。** 不當充電或是未在規定的溫度範圍內進行充電，皆可能造成電池損壞並面臨更高的著火風險。

#### 檢修

- ▶ **將您的電動工具送交專業維修人員，必須使用同樣的備件進行更換。** 這樣將確保所維修的電動工具的安全性。
- ▶ **請勿自行檢修受損的電池盒。** 電池組應交由製造商或是獲得授權的服務供應商來進行檢修。

#### 修邊機安全注意事項

- ▶ **請用夾具或其他可行方式將工件穩固地架在可靠平台上。** 用手握持機器或將它貼靠在身上，將無法確實固定其位置而致使失控。
- ▶ **修邊刀的額定速度必須至少等於電動工具上標示的最高轉速。** 修邊刀以比其額定速度大的速度運轉，可能發生爆裂和飛濺。
- ▶ **銼刀或其他配件必須精準吻合電動工具的刀具承座（夾頭）。** 如果嵌件工具與電動工具的刀具承座之間有餘隙，不僅嵌件工具無法均勻旋轉，轉動時甚至會強烈震動，進而造成機器失控。
- ▶ **先啟動電動工具後再把工具放置在工件上切割。** 如果電動工具被夾在工件中，會有反彈的危險。
- ▶ **切勿在金屬物體、釘子或螺釘上方進行銼削。** 這麼做會造成銼刀損壞，同時也會造成強烈震動。
- ▶ **使用合適的偵測裝置偵察隱藏的電線，或者向當地的相關單位尋求支援。** 接觸電線可能引起火災並讓操作者觸電。若損壞瓦斯管會引起爆炸。如果水管被刺穿會導致財物損失。
- ▶ **切勿使用已變鈍或已受損的銼刀。** 變鈍和損壞的銼刀不僅磨擦大，而且容易被夾住和失去平衡。
- ▶ **必須等待電動工具完全靜止後才能將它放下。** 嵌件工具可能卡住而使電動工具失控。
- ▶ **如果充電電池損壞了，或者未按照規定使用充電電池，充電電池中會散發出有毒蒸氣。** 充電電池可能起火或爆炸。工作場所必須保持空氣流通，如果身體有任何不適必須馬上就醫。充電電池散發的蒸氣會刺激呼吸道。
- ▶ **切勿拆開充電電池。** 可能造成短路。
- ▶ **尖銳物品（例如釘子或螺絲起子）或是外力皆有可能造成充電電池損壞。** 進而導致內部短路而發生電池起火、冒煙、爆炸或過熱等事故。
- ▶ **僅可在製造商的產品中使用充電電池。** 如此才可提供過載保護。



保護充電電池免受高溫（例如長期日照）、火焰、污垢、水液和濕氣的侵害。有爆炸及短路之虞。



## 產品和功率描述



請詳讀所有安全注意事項和指示。如未遵守安全注意事項與指示，可能導致火災、人員遭受電擊及 / 或重傷。

請留意操作說明書中最前面的圖示。

### 依規定使用機器

本機器可以在穩固的底墊上銼切利邊及側面斷面。適用的材料包括木材、塑膠以及非金屬類輕質建材。

### 依圖上的機件

機件的編號和電動工具詳解圖上的編號一致。

- (1) 充電電池<sup>a)</sup>
- (2) 充電電池解鎖按鈕<sup>a)</sup>
- (3) 溫度監控功能 / 防過載功能的指示燈
- (4) 充電電池的電量指示器
- (5) 起停開關
- (6) 主軸鎖標示箭頭
- (7) 主軸制動扳片
- (8) 銼切深度粗調按鈕
- (9) 帶有彈式夾環的鎖緊螺母
- (10) 微調銼深的調整輪
- (11) 銼切深度調整專用防鬆螺栓
- (12) 底座
- (13) 把手
- (14) 銼切深度調整專用鎖止轉鈕
- (15) 彈式夾環
- (16) 工具夾座
- (17) 銼刀<sup>a)</sup>
- (18) 開口扳手（17 mm）
- (19) 平滑導柱

a) 所述之配件並不包含在基本的供貨範圍中。

### 技術性數據

修邊機		GKF 12V-8
產品機號		3 601 FB0 0..
額定電壓	V=	12
無負載轉速 <sup>A)</sup>	次 / 分	13000
相容的彈式夾環	mm inch	6/8 ¼
修邊座	mm	36
重量 <sup>B)</sup>	kg	1.3-1.5
充電狀態下的建議環境溫度	°C	0 ... +35
操作狀態下的容許環境溫度 <sup>C)</sup> 以及存放狀態下	°C	-20 ... +50
建議使用的充電電池		GBA 12V...

**修邊機****GKF 12V-8**

建議使用的充電器

GAL 12...

GAX 18...

A) 於 20–25 °C 配備充電電池 **GBA 12V 3.0Ah** 時測得。

B) 視所使用的充電蓄電池而定

C) 溫度 &lt;0 °C 時，性能受限

數值可能因產品而異，並受使用條件以及環境條件影響。進一步資訊請見 [www.bosch-professional.com/wac](http://www.bosch-professional.com/wac)。**充電電池**

**Bosch** 亦販售不含充電電池的充電式電動工具。可以從外包裝看出電動工具的供貨範圍是否包括電池。

**為充電電池進行充電**

▶ **只能選用技術性數據裡所列出的充電器。**僅有這些充電器適用於電動工具所使用的鋰離子充電電池。

**提示：**由於國際運輸規定，出貨時鋰離子充電電池已部分充電。初次使用電動工具之前，請先將充電電池充飽電以確保充電電池蓄滿電力。

**安裝充電電池**

將已充飽電的充電電池推至充電電池固定座內，直到卡緊。

**取出充電電池**

若要取出充電電池，請按解鎖鈕，然後將充電電池抽出。**不可以強行拉出充電電池。**

**充電電池的電量指示器**

充電電池的電量指示器透過三顆綠色 LED 燈告知充電電池的目前電量。充電電量顯示器會在開機後亮燈 5 秒鐘。

LED	容量
3 顆綠燈持續亮起	60–100 %
2 顆綠燈持續亮起	30–60 %
1 顆綠燈持續亮起	5–30 %
1 顆綠燈呈閃爍狀態	0–5 %

**溫度監控功能 / 過載保護功能的指示燈**

紅色 LED 指示器可協助您防止電池過熱，並杜絕馬達發生過載現象。

LED 指示器若**持續亮起紅燈**，表示充電電池溫度過高，電動工具將隨即自動關機。

– 關閉電動工具。

– 繼續操作之前要先讓充電電池冷卻。

LED 指示器若呈**紅色閃爍狀態**，表示電動工具卡死，它將隨即自動關機。

將電動工具從工件中拔出。

阻礙物拿掉後，電動工具便會立刻繼續運轉。

**如何正確地使用充電電池**

妥善保護充電電池，避免濕氣和水分滲入。

充電電池必須儲存在 -20 °C 至 50 °C 的環境中。夏天不可以把充電電池擱置在汽車中。

偶爾用柔軟、乾淨且乾燥的毛刷清潔充電電池的通氣孔。

充電後如果充電電池的使用時間明顯縮短，代表充電電池已經損壞，必須更換新的充電電池。

請您遵照廢棄物處理相關指示。

**安裝**

▶ **在電動工具上進行任何作業之前（例如維修，更換工具等等），請將機器中的電池取出。**若是小心觸動起停開關，可能造成人員受傷。

**更換工具**

▶ **安裝和更換銼刀時，最好戴上防護手套。**

您可以向您的專業經銷商，購買 **Bosch** 配件系列中各式各樣的原廠銼刀。

**更換彈式夾環（請參考圖 A–B）**

您必須依照所使用的銼刀，於裝上銼刀之前，更換帶有彈式夾環 (9) 的鎖緊螺母。

銼刀裝好正確的彈式夾環之後，請遵循後續內容採取相關工作步驟。

固定在鎖緊螺母中的彈式夾環 (15) 必須留有一些間隙。鎖緊螺母 (9) 必須能輕鬆裝上。鎖緊螺母或彈式夾環若有受損，必須馬上更換。

將主軸鎖止扳片 (7) 拉出，使其對準機殼上的標示箭頭 (6)。必要時可直接用手旋轉馬達轉軸，使其位置固定鎖死。可設成六個不同位置，各相差 60°。

用開口扳手 (18) 沿逆時針方向旋開鎖緊螺母 (9)。必要時得在安裝前，用軟毛刷子或壓縮空氣清潔所有的安裝部件。

請將新的鎖緊螺母裝到工具夾座 (16) 上。

將鎖緊螺母旋上，但勿鎖緊。

將主軸鎖止扳片 (7) 推回機殼內。

▶ **只要尚未裝上銼刀，就絕對不可透過鎖緊螺母將夾頭鎖緊。**否則會造成夾頭損壞。

**裝上銼刀（請參考圖 C）**

▶ **安裝和更換銼刀時，最好戴上防護手套。**

根據各種用途，本公司提供了不同品質和款式的銼刀。

**高效能快速切削鋼材質的銼刀 (HSS)** 適合用來加工軟性材料，例如軟木和塑膠。

**採用硬金屬刀頭的銼刀 (HM)** 尤其適用於具磨蝕特性的堅硬材料，例如硬木和鋁合金。

您可以向您的專業經銷商，購買博世配件系列中的各式各樣博世原廠銼刀。

只能安裝完好且乾淨的銼刀。

將主軸鎖止扳片 (7) 拉出，使其對準機殼上的標示箭頭 (6)。必要時可直接用手旋轉馬達轉軸，使其位置固定鎖死。可設成六個不同位置，各相差 60°。

用開口扳手 (18) 沿逆時針方向旋開鎖緊螺母 (9)。把銼刀裝入夾鉗中。銼切工作必須推入至彈式夾環至少 20 mm。

順著時鐘的轉向擰緊外加螺母。  
將主軸鎖止扳片 (7) 推回機殼內。

- ▶ **只要尚未裝上銑刀，就絕對不可透過鎖緊螺母將夾頭鎖緊。** 否則會造成夾頭損壞。

## 吸鋸塵 / 吸鋸屑

含鉛的顏料及部分木材、礦物和金屬的加工廢塵有害健康。機器操作者或者工地附近的人如果接觸、吸入這些廢塵，可能會有過敏反應或者感染呼吸道疾病。

特定粉塵（例如加工橡木或山毛櫸的廢塵）可能致癌，特別是與處理木材的添加劑（例如木材的防腐劑等）混合之後。只有經過專業訓練的人才允許加工含石棉的物料。

– 工作場所要保持空氣流通。

– 建議佩戴 P2 濾網等級的口罩。

請留意並遵守貴國與加工物料有關的法規。

- ▶ **避免讓工作場所堆積過多的塵垢。** 塵埃容易被點燃。

## 操作

### 調整銑切深度（請參考圖 D-E）

- ▶ **電動工具必須關閉電源，才能進行銑深調整。**

把已裝上銑刀的電動工具放到工件上。

將鎖止轉鈕 (14) 逆時針旋轉約半圈，以便鎖止銑切深度調整裝置。

按住銑切深度粗調按鈕 (8) 不放。將驅動單元往上或往下移，視需要粗略調整銑切深度。放開按鈕 (8)。

利用設定轉鈕 (10) 將銑切深度調整至精準位置。設定轉鈕每旋轉一圈，銑切深度的變動幅度為 1 mm。

將鎖止轉鈕 (14) 順時針旋轉約半圈，以便鎖止銑切深度調整裝置。

先實際操作以便檢查設定是否正確，必要時請修正設定。

銑切深度設定好後應保持固定不變，然後您便可將防鬆螺栓 (11) 鎖進銑切深度微調設定轉鈕 (10) 裡。

## 操作機器

### 啟動 / 關閉

若要**啟動**電動工具，請將起停開關 (5) 往下推，此時開關上會出現 **I** 符號。

若要**關閉**電動工具，請將起停開關 (5) 往上推，此時開關上會出現 **0** 符號。

### 作業注意事項

- ▶ **保護銑刀免受沖撞和敲擊。**

### 銑削方向和銑削操作（請參考圖 F-G）

- ▶ **進行銑削時必須始終與銑刀運轉方向 (17) 保持相反（反向運作）。** 若是順著銑刀的運轉方向

（同向運作）銑削，電動工具可能從您的手上被扯開。

**提示：**請您留意，銑刀 (17) 必須始終突出到底座 (12) 之外。不可損壞模板或工件。

請視需要調整銑削深度。

開啟電動工具電源並將它靠在欲進行加工的位置上。

推進機器時必須施力均勻。

完成銑削後請關閉電動工具。

- ▶ **工具未完全靜止時，切勿將電動工具放下。** 如果工具仍繼續轉動，可能造成人員受傷。

### 修邊銑削或雕刻銑削（請參考圖 H）

進行修邊或雕刻時如果不使用平行擋塊，則銑刀上必須有導向榫頭或滾珠軸承。

將已啟動的電動工具慢慢地移近工件的邊緣，直到銑刀上的導向榫頭或滾珠軸承觸及工件邊緣為止。

然後沿著工件的邊緣推動電動工具。電動工具和工件表面之間要保持直角，不可傾斜。推進機器時如果用力過猛可能造成工件邊緣損壞。

以下是適合進行銑邊或成形銑切的最大工作尺寸：

材料	半徑 mm	倒角 mm
硬木	10	6
軟木	12	10
塑膠	12	10
MDF 板	12	10
夾板	10	6

## 維修和服務

### 維修和清潔

- ▶ **在電動工具上進行任何作業之前（例如維修，更換工具等等），請將機器中的電池取出。** 若是不小心觸動起停開關，可能造成人員受傷。

- ▶ **電動工具和通風口都必須保持清潔，這樣才能夠提高工作品質和安全性。**

每次使用後，請用吸塵器、小軟刷或清潔用刷，將電動工具清理乾淨。請確保導柱未沾染任何木材粉屑。在平滑導柱 (19) 上滴上一滴潤滑油，以進行潤滑（詳見圖 I）。

### 顧客服務處和顧客諮詢中心

本公司顧客服務處負責回答有關本公司產品的維修、維護和備用零件的問題。以下的網頁中有分解圖和備用零件相關資料：[www.bosch-pt.com](http://www.bosch-pt.com)

如果對本公司產品及其配件有任何疑問，博世應用諮詢小組很樂意為您提供協助。

當您需要諮詢或訂購備用零件時，請務必提供本產品型號銘牌上 10 位數的產品機號。

### 台灣進口商

台灣羅伯特博世股份有限公司  
建國北路一段90號6樓  
台北市10491

電話: (02) 7734 2588  
 傳真: (02) 2516 1176  
 www.bosch-pt.com.th

#### 製造商地址:

Robert Bosch Power Tools GmbH  
 羅伯特·博世電動工具有限公司  
 70538 Stuttgart / GERMANY  
 70538 斯圖加特/ 德國

#### 以下更多客戶服務處地址:

www.bosch-pt.com/serviceaddresses

#### 搬運

建議使用的鋰離子充電電池受危險物品法的規範。使用者無須另外使用保護包裝便可運送該充電電池。

但是如果將它交由第三者運送 (例如: 寄空運或委託運輸公司), 則應遵照包裝與標示的相關要求。此時必須向危險物品專家請教有關寄送危險物品的相關事宜。

確定充電電池的外殼未受損後, 才可以寄送充電電池。用膠帶貼住裸露的接點並妥善包裝充電電池, 不可以讓充電電池在包裝材料中晃動。同時也應留意各國相關法規。

#### 廢棄物處理



必須以符合環保的方式, 將損壞的電動工具、充電電池、配件和包裝材料進行回收再利用。



不可以把電動工具和充電電池 / 拋棄式電池丟入一般家庭垃圾中!

#### 充電電池 / 拋棄式電池:

##### 鋰離子:

請注意「搬運」段落中的指示 (參見「搬運」, 頁 32)。

## ไทย

### คำเตือนเพื่อความปลอดภัย

#### คำเตือนเพื่อความปลอดภัยทั่วไปสำหรับเครื่องมือไฟฟ้า

**คำเตือน** อ่านคำเตือนเพื่อความปลอดภัย คำแนะนำ ภาพประกอบ และข้อมูลจำเพาะทั้งหมดที่จัดส่งมาพร้อมกับเครื่องมือไฟฟ้า การไม่ปฏิบัติตามคำแนะนำทั้งหมดที่ระบุไว้ด้านล่างนี้อาจทำให้ถูกไฟฟ้าดูด เกิดไฟไหม้ และ/หรือได้รับบาดเจ็บอย่างร้ายแรง

#### เก็บรักษาคำเตือนและคำสั่งทั้งหมดสำหรับเปิดอ่านในภายหลัง

คำว่า "เครื่องมือไฟฟ้า" ในคำเตือนหมายถึง เครื่องมือไฟฟ้าของท่านที่ทำงานด้วยพลังงานไฟฟ้าจากแหล่งจ่ายไฟหลัก (มีสายไฟฟ้า) และเครื่องมือไฟฟ้าที่ทำงานด้วยพลังงานไฟฟ้าจากแบตเตอรี่ (ไร้สาย)

#### ความปลอดภัยในสถานที่ทำงาน

- ▶ **รักษาสถานที่ทำงานให้สะอาดและมีไฟส่องสว่างดี** สถานที่ที่มีมืดหรือกรงรังปามาซึ่งอุบัติเหตุ
- ▶ **อย่าใช้เครื่องมือไฟฟ้าทำงานในสภาพบรรยากาศที่จุดติดไฟได้** เช่น ในที่มีมีของเหลวไวไฟ ก๊าซ หรือฝุ่น เมื่อใช้เครื่องมือไฟฟ้าจะเกิดประกายไฟซึ่งอาจจุดฝุ่นหรือไอให้ลุกเป็นไฟได้
- ▶ **ขณะใช้เครื่องมือไฟฟ้าทำงาน ต้องกั้นเด็กและผู้ยืนดูให้ออกห่าง** การหันเหความสนใจอาจทำให้ท่านขาดการควบคุมเครื่อง

#### ความปลอดภัยเกี่ยวกับไฟฟ้า

- ▶ **ปลั๊กของเครื่องมือไฟฟ้าต้องเหมาะสมพอดีกับเต้าเสียบ อย่าตัดแปลงปลั๊กไม่ว่าในลักษณะใดๆ** อย่างเด็ดขาด **อย่าใช้ปลั๊กพ่วงต่อใดๆ** กับเครื่องมือไฟฟ้าที่มีสายดิน ปลั๊กที่ไม่ตัดแปลงและเต้าเสียบที่เข้ากันช่วยลดความเสี่ยงจากการถูกไฟฟ้าดูด
- ▶ **หลีกเลี่ยงอย่าให้ร่างกายสัมผัสกับพื้นผิวที่ต่อสายดินหรือลงกราวด์ไว** เช่น ท่อ เครื่องทำความร้อน เตา และตู้เย็น จะเสี่ยงอันตรายจากการถูกไฟฟ้าดูดมากขึ้นหากกระแสไฟฟ้าวิ่งผ่านร่างกายของท่านลงดิน
- ▶ **อย่าให้เครื่องมือไฟฟ้าถูกฝนหรืออยู่ในสภาพเปียกชื้น** หากน้ำเข้าไปในเครื่องมือไฟฟ้า จะเพิ่มความเสี่ยงจากการถูกไฟฟ้าดูด
- ▶ **อย่าใช้สายไฟฟ้าในทางที่ผิด** อย่าใช้สายไฟฟ้าเพื่อยก ดึง หรือถอดปลั๊กเครื่องมือไฟฟ้า กั้นสายไฟฟ้าออกจากความร้อน น้ำมัน ขอบแหลมคม หรือชิ้นส่วนที่เคลื่อนที่ สายไฟฟ้าที่ชำรุดหรือพันกันยุ่งเพิ่มความเสี่ยงจากการถูกไฟฟ้าดูด
- ▶ **เมื่อใช้เครื่องมือไฟฟ้าทำงานกลางแจ้ง ให้ใช้สายไฟต่อที่เหมาะสมสำหรับใช้งานกลางแจ้ง** การใช้สายไฟต่อที่เหมาะสมสำหรับงานกลางแจ้งช่วยลดอันตรายจากการถูกไฟฟ้าดูด
- ▶ **หากไม่สามารถหลีกเลี่ยงการใช้เครื่องมือไฟฟ้าทำงานในสถานที่เปียกชื้นได้ ให้ใช้สวิตช์ตัดวงจรเมื่อเกิดการรั่วไหลของไฟฟ้าจากสายดิน (RCD)** การใช้สวิตช์ตัดวงจรเมื่อเกิดการรั่วไหลของไฟฟ้าจากสายดินช่วยลดความเสี่ยงต่อการถูกไฟฟ้าดูด

#### ความปลอดภัยของบุคคล

- ▶ **ท่านต้องอยู่ในสภาพเตรียมพร้อม ระมัดระวังในสิ่งที่ท่านกำลังทำอยู่ และมีสติขณะใช้เครื่องมือไฟฟ้าทำงาน** อย่าใช้เครื่องมือไฟฟ้าขณะที่ท่านกำลังเหนื่อย หรืออยู่ภายใต้การครอบงำของฤทธิ์ของยาเสพติด แอลกอฮอล์ และยาเมื่อใช้เครื่องมือไฟฟ้าทำงาน



ในช่วงเวลาที่ท่านขาดความเอาใจใส่อาจทำให้บุคคลบาดเจ็บอย่างรุนแรงได้

- ▶ **ใช้อุปกรณ์ปกป้องร่างกาย สวมแว่นตาป้องกันเสมอ** อุปกรณ์ปกป้อง เช่น หมวกกันน็อก รองเท้ากันลื่น หมวกแข็ง หรืออุปกรณ์ป้องกันสิ่งตกที่ไซตามความเหมาะสมกับสภาพการทำงาน จะลดการบาดเจ็บทางร่างกาย
- ▶ **ป้องกันการติดเครื่องโดยไม่ตั้งใจ ตรวจสอบให้แน่ใจว่าสวิทช์อยู่ที่ตำแหน่งปิดก่อนเชื่อมต่อกับแหล่งจ่ายไฟ และ/หรือแบตเตอรี่แพ็ค ยกหรือถือเครื่องมือ** การถือเครื่องโดยใช้นิ้วหัวที่สวิทช์ หรือเสียบปลั๊กไฟในขณะที่สวิทช์เปิดอยู่ อาจนำไปสู่อุบัติเหตุที่ร้ายแรงได้
- ▶ **นำเครื่องมือปรับแต่งหรือปรับแก้ก่อนเปิดสวิทช์เครื่องมือไฟฟ้า** เครื่องมือหรือปรับแก้ปรับแก้ที่วางอยู่บางส่วนหรือส่วนที่ก้าลังหมุนจะทำให้บุคคลบาดเจ็บได้
- ▶ **อย่าเอื้อมไกลเกินไป** ตั้งทำขึ้นที่มั่นคงและวางน้ำหนักให้สมดุลตลอดเวลา ในลักษณะนี้ท่านสามารถควบคุมเครื่องมือไฟฟ้าในสถานการณ์ที่ไม่คาดคิดได้ดีกว่า
- ▶ **แต่งกายอย่างเหมาะสม** อย่าใส่เสื้อผ้าหลวมหรือสวมเครื่องประดับ เข็มและเส้นที่อาจแทงจากชิ้นส่วนที่เคลื่อนที่ เสื้อผ้าหลวม เครื่องประดับ และผมยาวอาจเข้าไปติดในชิ้นส่วนที่เคลื่อนที่
- ▶ **หากเครื่องมือไฟฟ้ามีข้อเชื่อมต่อกับเครื่องดูดฝุ่นหรือเครื่องเก็บผง ให้ตรวจสอบให้แน่ใจว่าได้เชื่อมต่อกับและใช้งานอย่างถูกต้อง** การใช้ข้อเชื่อมต่อฝุ่นช่วยลดอันตรายที่เกิดจากฝุ่นได้
- ▶ **เมื่อใช้งานเครื่องมือบ่อยครั้งจะเกิดความคุ้นเคย** อย่าให้ความคุ้นเคยทำให้ท่านเกิดความชะล่าใจและละเลยกฎเกณฑ์ด้านความปลอดภัยในการใช้งานเครื่อง การทำงานอย่างไม่มีระมัดระวังอาจทำให้เกิดการบาดเจ็บอย่างร้ายแรงภายในเสี้ยววินาที

#### การใช้และการดูแลรักษาเครื่องมือไฟฟ้า

- ▶ **อย่าฝืนกำลังเครื่องมือไฟฟ้า** ใช้เครื่องมือไฟฟ้าที่ถูกต้องตรงตามลักษณะงานของท่าน เครื่องมือไฟฟ้าที่ถูกต้องจะทำงานได้ดีกว่าและปลอดภัยกว่าในระดับสมรรถภาพที่ออกแบบไว้
- ▶ **อย่าใช้เครื่องมือไฟฟ้าถ้าสวิทช์ไม่สามารถเปิดปิดได้** เครื่องมือไฟฟ้าที่ไม่สามารถควบคุมการเปิดปิดด้วยสวิทช์ได้ เป็นเครื่องมือไฟฟ้าที่ไม่ปลอดภัยและต้องส่งซ่อมแซม
- ▶ **ก่อนปรับแต่งเครื่อง เปลี่ยนอุปกรณ์ประกอบ หรือเก็บเครื่องเข้าที่** ต้องถอดปลั๊กออกจากแหล่งจ่ายไฟ และ/หรือถอดแบตเตอรี่แพ็คออกจากเครื่องมือไฟฟ้าหากถอดออกได้ มาตรการป้องกันเพื่อความปลอดภัยนี้ช่วยลดความเสี่ยงจากการติดเครื่องโดยไม่ตั้งใจ
- ▶ **เมื่อเลิกใช้งานเครื่องมือไฟฟ้า ให้เก็บเครื่องมือในที่ที่เด็กของไม่ถึง และไมอนุญาตให้บุคคลที่ไม่คุ้นเคยกับเครื่องหรือบุคคลที่ไม่ได้อ่านคำแนะนำเหล่านี้ใช้เครื่อง** เครื่องมือไฟฟ้าเป็นของอันตรายหากตกอยู่ในมือของผู้ใช้ที่ไม่ได้รับการฝึกฝน
- ▶ **บำรุงรักษาเครื่องมือไฟฟ้าและอุปกรณ์ประกอบ** ตรวจสอบชิ้นส่วนที่เคลื่อนที่ที่วางไม่ตรงแนวหรือติดขัดหรือไม่ตรวจหาการแตกหักของชิ้นส่วนและสภาพอื่นใดที่อาจมีผลต่อการทำงานของเครื่องมือไฟฟ้า หากชำรุดต้องส่งเครื่อง

**มือไฟฟ้าไปซ่อมแซมก่อนใช้งาน** อุบัติเหตุหลายอย่างเกิดขึ้นเนื่องจากดูแลรักษาเครื่องไม่ดีพอ

- ▶ **รักษาเครื่องมือตัดให้คมและสะอาด** หากบำรุงรักษาเครื่องมือที่มีขอบตัดแหลมคมอย่างถูกต้อง จะสามารถตัดได้ลื่นไม่ติดขัดและควบคุมได้ง่ายกว่า
- ▶ **ใช้เครื่องมือไฟฟ้า อุปกรณ์ประกอบ เครื่องมือ และอุปกรณ์อื่นๆ** ตรงตามคำแนะนำเหล่านี้ โดยคำนึงถึงเงื่อนไขการทำงานและงานที่จะทำ การใช้เครื่องมือไฟฟ้าทำงานที่ต่างไปจากวัตถุประสงค์การใช้งานของเครื่อง อาจนำไปสู่สถานการณ์ที่เป็นอันตรายได้
- ▶ **ดูแลน้ำมันและพื้นผิวจับให้แห้ง สะอาด และปราศจากคราบไขมันและจาระบี** ตามจับและพื้นผิวจับที่ลื่นทำให้หยิบจับได้ไม่ปลอดภัย และไม่สามารถควบคุมเครื่องมือในสถานการณ์ที่ไม่คาดคิด

#### การใช้และการดูแลรักษาเครื่องมือใช้แบตเตอรี่

- ▶ **ชาร์จไฟใหม่ด้วยเครื่องชาร์จที่บริษัทผู้ผลิตระบุไว้เท่านั้น** เครื่องชาร์จที่เหมาะสมสำหรับชาร์จแบตเตอรี่แพ็คประเภทหนึ่ง หากนำไปชาร์จแบตเตอรี่แพ็คประเภทอื่น อาจเกิดไฟไหม้ได้
- ▶ **ใช้เครื่องมือไฟฟ้าเฉพาะกับแบตเตอรี่แพ็คที่กำหนดไว้เท่านั้น** การใช้แบตเตอรี่แพ็คประเภทอื่นเสี่ยงต่อการเกิดไฟไหม้หรือบาดเจ็บ
- ▶ **เมื่อไม่ใช้งานแบตเตอรี่แพ็ค ให้เก็บไว้ห่างวัตถุที่เป็นโลหะอื่นๆ** เช่น คลิปหนีบกระดาษ เหรียญ กุญแจ ตะปู สกรู หรือวัตถุที่เป็นโลหะขนาดเล็กอื่นๆ ที่สามารถเชื่อมต่อกับขั้วหนึ่งไปยังอีกขั้วหนึ่งได้
- ▶ **การลัดวงจรของขั้วแบตเตอรี่อาจทำให้เกิดการไหม้หรือฟลุคได้**
- ▶ **หากใช้แบตเตอรี่อย่างอาจมีของเหลวไหลออกมาจากแบตเตอรี่ได้** ให้ความสนใจการสัมผัส หากสัมผัสโดยบังเอิญให้ใช้น้ำล้าง หากของเหลวเข้าตา ให้ขอความช่วยเหลือจากแพทย์ด้วย
- ▶ **หากใช้แบตเตอรี่อย่างอาจมีของเหลวไหลออกมาจากแบตเตอรี่** ของเหลวที่ไหลออกมาจากแบตเตอรี่อาจทำให้เกิดอาการคันหรือแสบผิวหนังได้
- ▶ **อย่าใช้แบตเตอรี่แพ็คหรือเครื่องมือที่ชำรุดหรือดัดแปลง** แบตเตอรี่ที่ชำรุดหรือดัดแปลงอาจแสดงอาการที่ไม่สามารถคาดเดาได้ ส่งผลให้เกิดไฟไหม้ ระเบิด หรือความเสี่ยงต่อการได้รับบาดเจ็บ
- ▶ **อย่าใช้แบตเตอรี่แพ็คหรือเครื่องมือสัมผัสไฟหรืออุณหภูมิสูงเกินไป** หากสัมผัสไฟหรืออุณหภูมิที่สูงกว่า 130 °C อาจทำให้เกิดการระเบิดได้
- ▶ **ปฏิบัติตามคำแนะนำเกี่ยวกับการชาร์จทั้งหมด และต้องไม่ชาร์จแบตเตอรี่แพ็คหรือเครื่องมือ** นอกช่วงอุณหภูมิที่กำหนดในคำแนะนำ การชาร์จแบตเตอรี่อย่างไม่ถูกวิธีหรือนอกช่วงอุณหภูมิที่กำหนด อาจทำให้แบตเตอรี่เสียหายและเพิ่มความเสี่ยงต่อการเกิดไฟไหม้

#### การบริการ

- ▶ **ส่งเครื่องมือไฟฟ้าของท่านเข้ารับบริการจากช่างซ่อมที่มีคุณสมบัติเหมาะสม** โดยใช้ชื่อที่เหมือนกันเท่านั้น ในลักษณะนี้ท่านจะแน่ใจได้ว่าเครื่องมือไฟฟ้าอยู่ในสภาพที่ปลอดภัย

- ▶ **อย่าบำรุงรักษาแบตเตอรี่ที่ชำรุดอย่างเด็ดขาด**  
ต้องส่งให้บริษัทผู้ผลิตหรือศูนย์บริการที่ได้  
รับอนุญาตทำการบำรุงรักษาแบตเตอรี่แพ็คเท่านั้น

**คำเตือนเพื่อความปลอดภัยสำหรับทริมเมอร์เก็บขอบ**

- ▶ **ใช้เครื่องมือหรือวิธีอื่นที่ได้ผลเพื่อยึดและหมุนชิ้นงานกับ  
แท่นที่มั่นคง** การใช้เครื่องมือจับชิ้นงานหรือยืนไว้กับร่างกายจะ  
ไม่มั่นคง และอาจทำให้สูญเสียการควบคุม
- ▶ **ความเร็วรอบที่อนุญาตของเครื่องมือเข่าอย่างน้อยที่สุด  
ต้องสูงเท่ากับความเร็วรอบสูงสุดที่ระบุไว้บนเครื่องมือ  
ไฟฟ้า** เครื่องมือเข่าที่หมุนเร็วกว่า  
ความเร็วรอบกำหนดของตัวเองอาจกระเด็นออกเป็นชิ้นๆ
- ▶ **เครื่องมือเข่าหรืออุปกรณ์ประกอบอื่นๆ ต้องประกอบเข้า  
ในตามจับเครื่องมือ (แหวนรัดก้านเครื่องมือ) ของเครื่องมือ  
ไฟฟ้า** ขอบทานโดยพอดี เครื่องมือที่ไม่สามารถใส่  
เข้าในตามจับเครื่องมือของเครื่องมือไฟฟ้าได้อย่างพอดี  
จะหมุนไม่สม่ำเสมอ สั่นตัวมาก และอาจทำให้สูญเสียการ  
ควบคุมได้
- ▶ **จับเครื่องมือไฟฟ้าเข้าที่ทำงานเมื่อเครื่องเปิดสวิตช์อยู่  
เท่านั้น** มิฉะนั้นอาจได้รับอันตรายจากการตีกลับหากเครื่องมือ  
มือติดขัดอยู่ในชิ้นงาน
- ▶ **อย่าเข่าบนวัสดุที่เป็นโลหะ ตะปู หรือสกรู** อย่างเด็ดขาด  
เครื่องมือเข่าอาจเสียหายและทำให้สั่นตัวมากยิ่งขึ้น
- ▶ **ใช้เครื่องตรวจจับที่เหมาะสมเพื่อตรวจหาสายไฟฟ้าหรือท่อ  
สาธารณูปโภคที่อาจซ่อนอยู่ในบริเวณทำงาน หรือติดต่อ  
บริษัทสาธารณูปโภคในพื้นที่เพื่อขอความช่วยเหลือ** การ  
สัมผัสกับสายไฟฟ้าอาจทำให้เกิดไฟไหม้หรือถูกไฟฟ้าดูด  
การทำให้ออกแก๊สเสียหายอาจทำให้เกิดระเบิด การ  
เจาะเขาในท่อน้ำ ทำให้ทรัพย์สินเสียหาย
- ▶ **อย่าใช้เครื่องมือเข่าที่ท่อหรือซารูด** เครื่องมือเข่าที่ท่อ  
หรือซารูดทำให้เกิดแรงเสียดทานมากขึ้น อาจทำให้เกิด  
การติดขัดและนำไปสู่ความไม่สมดุล
- ▶ **รอให้เครื่องมือไฟฟ้าหยุดสนิทก่อนวางเครื่องลงบนพื้น**  
เครื่องมือที่ปล่อยอาจติดขัดและทำให้สูญเสียการ  
ควบคุมเครื่องมือไฟฟ้า
- ▶ **เมื่อแบตเตอรี่ชำรุดและนำไปใช้งานอย่างไม่ถูกต้องอาจมี  
ไอระเหยออกมาได้** แบตเตอรี่อาจเผาไหม้หรือระเบิดได้ให้  
สูดอากาศบริสุทธิ์และไปพบแพทย์ในกรณีเจ็บปวด  
ไอระเหยอาจทำให้ระบบหายใจระคายเคือง
- ▶ **อย่าเปิดแบตเตอรี่** อันตรายจากการลัดวงจร
- ▶ **วัตถุที่แหลมคม ต. ย. เช่น ตะปูหรือไขควง หรือแรงกระทำ  
ภายนอก อาจทำให้แบตเตอรี่เสียหายได้** สิ่งเหล่านี้อาจ  
ทำให้เกิดการลัดวงจรภายในและแบตเตอรี่ใหม่ มีควัน  
ระเบิด หรือร้อนเกินไป
- ▶ **ใช้เฉพาะแบตเตอรี่จากผลิตภัณฑ์ของผู้ผลิต** ในลักษณะนี้  
แบตเตอรี่แพ็คจะได้รับการปกป้องจากการใช้งานเกิน  
กำลังซึ่งเป็นอันตราย



ปกป้องแบตเตอรี่จากความร้อน รวมทั้ง ต. ย.  
เช่น จากการถูกแสงแดดส่องต่อเนื่อง จากไฟ  
ลัดสปริง น้ำ และความชื้น อันตรายจากการ  
ระเบิดและการลัดวงจร



**รายละเอียดผลิตภัณฑ์และข้อมูล  
จำเพาะ**



**อ่านคำเตือนเพื่อความปลอดภัยและคำแนะนำ  
ทั้งหมด** การไม่ปฏิบัติตามคำเตือนและคำสั่ง  
อาจเป็นสาเหตุที่ถูกไฟฟ้าดูด เกิดไฟไหม้ และ/  
หรือได้รับบาดเจ็บอย่างร้ายแรง

กรุณาดูภาพประกอบในส่วนหน้าของคู่มือการใช้งาน

**ประโยชน์การใช้งานของเครื่อง**

เครื่องนี้ใช้สำหรับเข่าเส้นขอบ และรูปโครงร่าง ในไม้  
พลาสติก และวัสดุก่อสร้างน้ำหนักเบาที่ไม่ใช่โลหะ โดยจับ  
เครื่องวางอย่างมั่นคงบนวัสดุชิ้นงาน

**ส่วนประกอบผลิตภัณฑ์**

ลำดับเลขของส่วนประกอบผลิตภัณฑ์อ้างอิงถึงส่วนประกอบของ  
เครื่องมือไฟฟ้าที่แสดงในหน้าภาพประกอบ

- (1) แบตเตอรี่<sup>a)</sup>
- (2) แป้นปลดล็อกแบตเตอรี่<sup>a)</sup>
- (3) ไฟแสดงการควบคุมอุณหภูมิ/การป้องกันการใช้  
งานเกินกำลัง
- (4) ไฟแสดงสถานะการชาร์จแบตเตอรี่
- (5) สวิตช์เปิด-ปิด
- (6) ลูกศรเครื่องหมายสำหรับการล็อกแกน
- (7) คานล็อกแกน
- (8) ปุ่มสำหรับปรับเทียบความลึกการตัด
- (9) นอตยึดพร้อมแหวนรัดก้านเครื่องมือ
- (10) ปุ่มหมุนสำหรับปรับละเอียดความลึกการตัด
- (11) สกรูล็อคการปรับความลึกการตัด
- (12) แผ่นฐาน
- (13) ตามจับ
- (14) ล็อหมุนล็อคการปรับความลึกการตัด
- (15) แหวนรัดก้านเครื่องมือ
- (16) ตามจับเครื่องมือ
- (17) เครื่องมือเข่า<sup>a)</sup>
- (18) ประแจปากตาย (17 มม.)
- (19) เสาน้ำทางที่เรียบลิ้น

a) อุปกรณ์เสริมนี้ไม่มีอยู่ในรายการอุปกรณ์มาตรฐานที่จัดส่ง

**ข้อมูลทางเทคนิค**

เครื่องมือเข่าขอบ	GKF 12V-8	
หมายเลขสินค้า		3 601 FBO 0..
แรงดันไฟฟักัด	V=	12
ความเร็วรอบเดินเครื่องเปล่า <sup>A)</sup>	นาที <sup>-1</sup>	13000
แหวนรัดก้านเครื่องมือที่เข้ากันได้	มม. นิ้ว	6/8 ¼

เครื่องเจาะขบ	GKF 12V-8	
ชั้นฐานเจาะ	มม.	36
น้ำหนัก <sup>B)</sup>	กก.	1.3–1.5
อุณหภูมิโดยรอบที่แนะนำเมื่อซาร์จ	°C	0 ... +35
อุณหภูมิโดยรอบที่อนุญาตเมื่อใช้งาน <sup>C)</sup> และเมื่อจัดเก็บ	°C	-20 ... +50
แบตเตอรี่แบบชาร์จได้ที่แนะนำ		GBA 12V...
เครื่องซาร์จที่แนะนำ		GAL 12... GAX 18...

A) ดำเนินการวัด ณ อุณหภูมิ 20–25 °C พร้อมแบตเตอรี่ **GBA 12V 3.0Ah**

B) ขึ้นอยู่กับแบตเตอรี่แพ็คที่ใช้

C) สมรรถภาพจะน้อยลงที่อุณหภูมิ < 0 °C

ค่าอาจแตกต่างกันไปตามผลิตภัณฑ์และขึ้นอยู่กับเงื่อนไขการใช้งานและสภาพแวดล้อม โปรดดูข้อมูลเพิ่มเติมที่เว็บไซต์ [www.bosch-professional.com/wac](http://www.bosch-professional.com/wac)

## แบตเตอรี่

**Bosch** จำหน่ายเครื่องมือไฟฟ้าไร้สายไม่รวมแบตเตอรี่แพ็คด้วยเช่นกัน คุณสามารถดูได้จากบรรจุภัณฑ์ว่า ขอบเขตการจัดส่งเครื่องมือไฟฟ้าของคุณมีแบตเตอรี่แพ็คหรือไม่

### การซาร์จแบตเตอรี่

► **ใช้เฉพาะเครื่องซาร์จแบตเตอรี่ที่ระบุในข้อมูลทางเทคนิคเท่านั้น** เฉพาะเครื่องซาร์จแบตเตอรี่เหล่านี้เท่านั้นที่เข้าชุดกับแบตเตอรี่ลิเธียม ไอออน ของเครื่องมือไฟฟ้าของท่าน

**หมายเหตุ:** แบตเตอรี่ลิเธียมไอออนถูกจัดส่งโดยมีการซาร์จไปบางส่วนตามระเบียบข้อบังคับด้านการขนส่งระหว่างประเทศ เพื่อให้แน่ใจว่าแบตเตอรี่จะทำงานได้อย่างสมบูรณ์แบบ ก่อนใช้งานครั้งแรกให้ซาร์จแบตเตอรี่จนเต็ม

### การใส่แบตเตอรี่

ใส่แบตเตอรี่ที่ซาร์จแล้วเข้าในตามจับบรรจุลิ๊กเข้าล็อก

### การถอดแบตเตอรี่

เมื่อต้องการถอดแบตเตอรี่แพ็คออก ให้กดปุ่มปลดล็อกแบตเตอรี่และดึงแบตเตอรี่แพ็คออกจากเครื่องมือไฟฟ้าอย่าให้กำลังดึง

### ไฟแสดงสถานะการซาร์จแบตเตอรี่

ไฟ LED สีเขียวแสดงสถานะการซาร์จแบตเตอรี่แพ็ค 3 ดวงแสดงสถานะการซาร์จของแบตเตอรี่ เมื่อสตาร์ทเครื่อง ไฟแสดงสถานะการซาร์จจะส่องสว่างนานเพียง 5 วินาที

LED	ความจุ
ไฟส่องสว่างต่อเนื่อง 3× สีเขียว	60–100 %
ไฟส่องสว่างต่อเนื่อง 2× สีเขียว	30–60 %
ไฟส่องสว่างต่อเนื่อง 1× สีเขียว	5–30 %

LED	ความจุ
ไฟกะพริบ 1× สีเขียว	0–5 %

### การแสดงการควบคุมอุณหภูมิ/การป้องกันการใช้งานเกินกำลัง

ไฟแสดงผล LED สีแดงช่วยป้องกันแบตเตอรี่จากความร้อนสูงเกินไปและมอเตอร์จากโหลดเกินพิกัด

หากไฟแสดงผล LED **ส่องสว่างสีแดงตลอด** อุณหภูมิของแบตเตอรี่สูงเกินไปและเครื่องมือไฟฟ้าจะปิดโดยอัตโนมัติ

– ปิดสวิตช์เครื่องมือไฟฟ้า

– ปล่อยให้แบตเตอรี่เย็นลงก่อนทำงานต่อ

หากไฟแสดงผล LED **กะพริบสีแดง** เครื่องมือไฟฟ้าถูกระงับใช้และปิดโดยอัตโนมัติ

นำเครื่องมือไฟฟ้าออกจากชิ้นงาน

ทันทีที่แก้ไขภาวะติดขัดได้แล้ว เครื่องมือไฟฟ้าจะทำงานต่อไป

### ข้อแนะนำในการปฏิบัติต่อแบตเตอรี่อย่างเหมาะสมที่สุด

ปกป้องแบตเตอรี่จากความชื้นและน้ำ

เก็บรักษาแบตเตอรี่แพ็คในช่วงอุณหภูมิ -20 °C ถึง 50 °C เท่านั้น อย่าปล่อยให้แบตเตอรี่แพ็คไว้ในรถยนต์ในช่วงฤดูร้อน

ทำความสะอาดช่องระบายอากาศเป็นครั้งคราวโดยใช้แปรงขนอ่อนที่แห้งและสะอาด

หลังจากซาร์จแบตเตอรี่แล้ว หากแบตเตอรี่

แพ็คมีช่วงเวลาทำงานสั้นมาก แสดงว่าแบตเตอรี่

แพ็คเสื่อมและต้องเปลี่ยนใหม่

อ่านและปฏิบัติตามข้อสั่งสำหรับการกำจัดขยะ

### การติดตั้ง

► **โปรดถอดแบตเตอรี่แบบซาร์จได้ออกจากเครื่องมือไฟฟ้าก่อนการทำงานทุกประเภทที่เครื่องมือไฟฟ้า (เช่น การบำรุงรักษา การเปลี่ยนเครื่องมือ เป็นต้น)** เนื่องจากการใช้งานสวิตช์เปิด/ปิดโดยไม่ตั้งใจขณะทำงานดังกล่าวอาจก่อให้เกิดความเสี่ยงต่อการบาดเจ็บได้

### การเปลี่ยนเครื่องมือ

► **ขอ**

**แนะนำให้สวมถุงมือป้องกันอันตรายเมื่อใส่หรือเปลี่ยนเครื่องมือเจาะ**

หาซื้อเครื่องมือเจาะของแท้จากายการอุปกรณ์ประกอบของ Bosch ที่มีให้เลือกมากมายได้จากร้านขายอุปกรณ์เฉพาะด้าน

### เปลี่ยนแหวนรัดก้านเครื่องมือ (ดูภาพประกอบ A–B)

ท่านอาจต้องเปลี่ยนน็อตยึดพร้อมแหวนรัดก้านเครื่องมือ (9) ก่อนใส่เครื่องมือเจาะ ทั้งนี้ขึ้นอยู่กับเครื่องมือเจาะที่ใช้

หากมีแหวนรัดก้านเครื่องมือที่ถูกติดตั้งอยู่แล้ว ให้ทำตามขั้นตอนในบทต่อไป

แหวนรัดก้านเครื่องมือ (15) แหวนรัดก้านเครื่องมือ ต้องประกอบน็อตยึด (9) โดยอย่างง่าย หากน็อตยึดหรือแหวนรัดก้านเครื่องมือซาร์จ ใหม่เปลี่ยนใหม่ทันที

ดึงคัมล้อคแกน (7) ออกไปจนถึงลูกศรเครื่องหมาย (6) ที่ตัวเรือน ถ้าจำเป็นให้ใช้มือหมุนแกนมอเตอร์จนเขาล็อคสามารถเลื่อนไป 60° ได้หกตำแหน่ง คลายน็อตยึด (9) ด้วยประแจปากตาย (18) โดยหมุนในทิศทวนเข็มนาฬิกา

ก่อนประกอบ ให้ทำความสะอาดชิ้นส่วนทั้งหมดที่จะติดตั้งด้วยแปรงขนอ่อนหรือเป่าด้วยลมอัด หากจำเป็นใส่น็อตยึดตัวใหม่บนด้ามจับเครื่องมือ (16) ขันน็อตยึดเข้าอย่างหลวมๆ

ดันคัมล้อคแกน (7) กลับเข้ามาในตัวเรือน

▶ **อย่าขันน็อตยึดพร้อมแหวนรัดก้านเครื่องมือเข้าจนแน่น โดยไม่มีเครื่องมือเข้ใส่อยู่** มิฉะนั้นแหวนรัดอาจชำรุดได้

### ใส่ใบเลื่อย (รูปภาพประกอบ C)

▶ **ขอแนะนำให้สวมถุงมือป้องกันอันตรายเมื่อใส่หรือเปลี่ยนเครื่องมือเข้**

เครื่องมือเข้มีให้เลือกหลายรูปแบบและคุณภาพต่างกักันมากมาย ทั้งมีขึ้นอยู่กับวัตถุประสงค์การใช้งาน **เครื่องมือเข้ทำจากเหล็กกล้าความเร็วสูง (HSS)** เหมาะสำหรับเข้วัสดุอ่อน ต. ย. เช่น ไม้เนื้ออ่อน และพลาสติก

**เครื่องมือเข้เชื่อมปลายด้วยคาร์ไบด์ (HM)** เหมาะอย่างยิ่งสำหรับเข้วัสดุแข็งและวัสดุที่กัดกร่อน ต. ย. เช่น ไม้เนื้อแข็ง และอะลูมิเนียม

หาซื้อเครื่องมือเข้ของแท้จากรายการอุปกรณ์ประกอบของบ็อกซ์ ที่มีให้เลือกมากมายได้จากงานขายอุปกรณ์เฉพาะด้าน โดยเฉพาะเครื่องมือเข้ที่สะอาดและมีสภาพสมบูรณ์เท่านั้น

ดึงคัมล้อคแกน (7) ออกไปจนถึงลูกศรเครื่องหมาย (6) ที่ตัวเรือน ถ้าจำเป็นให้ใช้มือหมุนแกนมอเตอร์จนเขาล็อคสามารถเลื่อนไป 60° ได้หกตำแหน่ง

คลายน็อตยึด (9) ด้วยประแจปากตาย (18) โดยหมุนในทิศทวนเข็มนาฬิกา

ใส่ใบเลื่อยเข้าในแหวนรัดก้านเครื่องมือ ต้องเลื่อนใบเลื่อยให้มีระยะ 20 มม. เข้าในแหวนรัดก้านเครื่องมือ

ขันน็อตยึดพร้อมแหวนรัดก้านเครื่องมือในทิศตามเข็มนาฬิกาจนแน่นอีกครั้ง

ดันคัมล้อคแกน (7) กลับเข้ามาในตัวเรือน

▶ **อย่าขันน็อตยึดพร้อมแหวนรัดก้านเครื่องมือเข้าจนแน่น โดยไม่มีเครื่องมือเข้ใส่อยู่** มิฉะนั้นแหวนรัดอาจชำรุดได้

### การดูดฝุ่น/ซีลื้อย

ฝุ่นที่เจ็ดจากวัสดุ เช่น เคลือบผิวที่มีสารตะกั่ว ไม้ยางประเภท แรฮาดู และโลหะ อาจเป็นอันตรายต่อสุขภาพ การสัมผัสหรือการหายใจเอาฝุ่นเข้าไปอาจทำให้เกิดปฏิกิริยาแพ้ฝุ่น และ/หรือนำมาซึ่งโรคติดเชื้อระบบหายใจเฉียบพลันหรือผู้ที่อยู่ในกลุ่มเสี่ยง

ฝุ่นบางประเภท เช่น ฝุ่นไม้ไผ่ หรือไม้มีพิษ นับเป็นสารที่ทำให้เกิดมะเร็ง โดยเฉพาะอย่างยิ่งเมื่อผสมกับสารเติมแต่งเพื่อบำบัดไม้ (โครมูมด์ ผลิตภัณฑ์รักษาเนื้อไม้) สำหรับวัสดุที่มีแอลเบสทอสูงขอให้ผู้เชี่ยวชาญทำงานเท่านั้น

– จัดสถานที่ทำงานให้มีกระบายอากาศที่ดี

– ขอแนะนำให้สวมหน้ากากป้องกันการติดเชื้อที่มีระดับ-ใส่กรอง P2

ปฏิบัติตามกฎข้อบังคับสำคัญอื่นๆ ที่เกี่ยวกับวัสดุชิ้นงานที่บังคับใช้ในประเทศของท่าน

▶ **ป้องกันการสะสมของฝุ่นในสถานที่ทำงาน** ผู้สามารถถูกใหม่อย่างง่ายดาย

## การปฏิบัติงาน

### ปรับความลึกของใบเลื่อย (รูปภาพประกอบ D-E)

▶ **ปรับความลึกการเข้เฉพาะเมื่อเครื่องมือไฟฟ้าปิดสวิตช์อยู่เท่านั้น**

วางเครื่องมือไฟฟ้าที่ใส่เครื่องมือเข้แล้วลงบนชิ้นงานหมุนล้อคแกน (14) ในทิศทวนเข็มนาฬิกาไปประมาณครึ่งรอบ เพื่อปลดล็อคการปรับความลึกการตัด

กดปุ่ม (8) สำหรับปรับความลึกการตัดและกดค้างไว้เลื่อนมอเตอร์ขึ้นลง และปรับตั้งความลึกการตัดที่ต้องการอย่างรวดเร็วๆ ปลอยนิ้วจากปุ่ม (8)

ปรับความลึกการตัดที่แน่นอนด้วยปุ่มหมุน (10) เมื่อหมุนปุ่มหมุนหนึ่งรอบ ความลึกการตัดจะเปลี่ยนไป 1 มม.

ล็อคการปรับตั้งความลึกการตัดโดยหมุนล้อคแกน (14) ในทิศตามเข็มนาฬิกาไปประมาณครึ่งรอบ

ตรวจสอบความลึกการเข้ที่ปรับไว้โดยการทดลองเข้และปรับซ้ำ หากจำเป็น

ถ้าต้องยึดความลึกการตัดที่ตั้งไว้อย่างถาวร ท่านสามารถขันสลกรูล็อค (11) เข้าในปุ่มหมุน (10) สำหรับปรับละเอียดความลึกการตัด

### การเริ่มต้นปฏิบัติงาน

#### การเปิด-ปิดเครื่อง

เมื่อต้องการ**เปิดสวิตช์** เครื่องมือไฟฟ้า ให้เลื่อนสวิตช์เปิด-ปิด (5) ไปด้านหน้าเพื่อให้ 1 ปรากฏบนสวิตช์

เมื่อต้องการ**ปิดสวิตช์** เครื่องมือไฟฟ้า ให้เลื่อนสวิตช์เปิด-ปิด (5) ไปด้านหลัง เพื่อให้ 0 ปรากฏบนสวิตช์

### ข้อแนะนำในการทำงาน

▶ **ป้องกันไม่ให้เครื่องมือเข้ถูกกระทบกระแทก**

**ทิศทางการบินและกระบวนกรเข้ (รูปภาพประกอบ F-G)**

▶ **ต้องเข้ทวนทิศทางการบินของเครื่องมือเข้ (17) เสมอ (เคลื่อนที่สวนทาง)** หากเข้ไปในทิศทางเดียวกับการหมุนของเครื่องมือเข้ (เคลื่อนที่ทางเดียวกันไปข้างหน้า) เครื่องมือไฟฟ้าจะถูกดูดออกจากมือ

**ข้อสังเกต:** พึงคำนึงว่าเครื่องมือเข้ (17) จะไหลออกมาจากแผ่นฐาน (12) เสมออย่าทำให้แผ่นลอกจากหรือชิ้นงานเสียหาย

ปรับตั้งความลึกการตัดที่ต้องการ

เปิดสวิตช์เครื่องทำงานและนำเครื่องไปยังตำแหน่งที่จะทำการเข้

ทำการเข้โดยป้อนเครื่องมืออย่างสม่ำเสมอเมื่อเข้เสร็จแล้ว ให้ปิดสวิตช์เครื่องมือไฟฟ้า

- **อย่าวางเครื่องมือไฟฟ้าลงจนกว่าเครื่องมือจะหยุดสนิทแล้ว** เครื่องมือที่ยังวิ่งต่ออาจทำให้เกิดการบาดเจ็บได้

#### การเข้าซ่อมหรือรื้อวาง (ดูภาพประกอบ H)

สำหรับการเข้าซ่อมหรือรื้อวางโดยไม่ใช้แผงกำหนดแนวขนาน เครื่องมือเข้าจะต้องมีหมุดนำร่องหรือดัลบลูกกลิ้งประกอบติด

จับเครื่องมือที่เบ็ดสวิตซ์ทำงานเข้าหาชิ้นงานทางด้านข้างโดยให้หมุดนำร่องหรือดัลบลูกกลิ้งของเครื่องมือเข้าแตะกับขอบชิ้นงานที่จะเข้า

เคลื่อนนำเครื่องมือไฟฟ้าเทียบไปตามขอบชิ้นงาน ตรวจสอบให้แน่ใจว่าเครื่องมือวางอยู่บนชิ้นงานที่มุมที่ต้องการ ออกแรงดันมากเกินไปอาจทำให้ขอบของชิ้นงานเสียหายได้ สำหรับการเข้าซ่อมและรื้อวาง ขนาดชิ้นงานสูงสุดคือดังต่อไปนี้:

วัสดุ	รัศมี มม.	เครื่องมือเข้า มม.
ไม้เนื้อแข็ง	10	6
ไม้เนื้ออ่อน	12	10
พลาสติก	12	10
ไม้ MDF	12	10
ไม้ Multiplex	10	6

## การบำรุงรักษาและการบริการ

### การบำรุงรักษาและการทำความสะอาด

- **โปรดถอดแบตเตอรี่แบบชาร์จได้ออกจากเครื่องมือไฟฟ้าก่อนการทำงานทุกประเภทที่เครื่องมือไฟฟ้า (เช่น การบำรุงรักษา การเปลี่ยนเครื่องมือ เป็นต้น)** เนื่องจากการทำงานของสวิตซ์เปิด/ปิดโดยไม่ได้ตั้งใจขณะทำงานดังกล่าวอาจก่อให้เกิดความเสี่ยงต่อการบาดเจ็บได้

- **เพื่อให้ทำงานได้อย่างถูกต้องและปลอดภัย** ต้องรักษาเครื่องและช่องระบายอากาศให้สะอาดอยู่เสมอ ทำความสะอาดเครื่องมือไฟฟ้าหลังใช้งานด้วยเครื่องดูดฝุ่น แพร่ง หรือไม้กวาดตามลัน ตรวจสอบให้แน่ใจว่าเสานำทางไม่มีฝุ่นไม่ติดอยู่ หลอดเสานำทางที่ระบายสี (19) ด้วยสารหล่อลื่นหนึ่งหยด (ดูภาพประกอบ I)

### การบริการหลังการขายและการให้คำปรึกษาการใช้งาน

ศูนย์บริการหลังการขายของเรายินดีตอบคำถามของท่านที่เกี่ยวกับการบำรุงรักษาและการซ่อมแซมผลิตภัณฑ์รวมทั้งเรื่องอะไหล่ ภาพเขียนแบบการประกอบและข้อมูลเกี่ยวกับอะไหล่ กรุณาดูใน: [www.bosch-pt.com](http://www.bosch-pt.com) ทีมงานที่ปรึกษาของ บอช ยินดีให้ข้อมูลเกี่ยวกับผลิตภัณฑ์ของเราและอุปกรณ์ประกอบต่างๆ

เมื่อต้องการสอบถามและสั่งซื้ออะไหล่ กรุณาแจ้งหมายเลขสินค้า 10 หลักบนแผ่นป้ายรุ่นของผลิตภัณฑ์ทุกครั้ง

#### ไทย

ไทย บริษัท โรเบิร์ต บอช จำกัด  
เอฟวายโอ เซ็นเตอร์ อาคาร 1 ชั้น 5

เลขที่ 2525 ถนนพระราม 4  
แขวงคลองเตย เขตคลองเตย กรุงเทพฯ 10110  
โทร: +66 2012 8888  
แฟกซ์: +66 2064 5800  
[www.bosch.co.th](http://www.bosch.co.th)  
ศูนย์บริการซ่อมและฝึกอบรม บอช  
อาคาร ลาซาลทาวเวอร์ ชั้น G ห้องเลขที่ 2  
บ้านเลขที่ 10/11 หมู่ 16  
ถนนศรีนครินทร์ ตำบลบางแก้ว อำเภอบางพลี  
จังหวัดสมุทรปราการ 10540  
ประเทศไทย  
โทรศัพท์ 02 7587555  
โทรสาร 02 7587525

สามารถดูที่อยู่ศูนย์บริการอื่นๆ ได้ที่:

[www.bosch-pt.com/serviceaddresses](http://www.bosch-pt.com/serviceaddresses)

### การขนส่ง

แบตเตอรี่ลิเธียมไอออนที่แนะนำให้ใช้ อยู่ภายใต้ข้อกำหนดแห่งกฎหมายสินค้าอันตราย ผู้ใช้สามารถขนส่งแบตเตอรี่แบบชาร์จได้บนเส้นทางถนนโดยไม่มีข้อบังคับเพิ่มเติม

สำหรับการจัดส่งโดยบุคคลที่สาม (เช่น: การขนส่งทางอากาศหรือตัวแทนขนส่งสินค้า) จำเป็นต้องปฏิบัติตามข้อกำหนดพิเศษเกี่ยวกับการบรรจุภัณฑ์และการติดฉลากสำหรับการจัดเตรียมสิ่งของที่จะจัดส่ง จำเป็นต้องปรึกษาผู้เชี่ยวชาญด้านวัตถุอันตราย

ส่งแบตเตอรี่แพ็คเมื่อตัวหุ้มไม่ชำรุดเสียหายเท่านั้น ใช้แถบกาวพันปิดหน้าสัมผัสที่เปิดอยู่ และนำแบตเตอรี่แพ็คใส่กล่องบรรจุโดยไม่ให้เคลื่อนไปมาในกล่องได้ นอกจากนี้ กรุณาปฏิบัติตามกฎระเบียบของประเทศซึ่งอาจมีรายละเอียดเพิ่มเติม

### การกำจัดขยะ



เครื่องมือไฟฟ้า แบตเตอรี่แพ็ค อุปกรณ์ประกอบ และที่บอช ต้องนำไปแยกประเภทวัสดุเพื่อนำกลับมาใช้ใหม่โดยไม่ทำลายสภาพแวดล้อม



อย่าทิ้งเครื่องมือไฟฟ้าและแบตเตอรี่แพ็ค/แบตเตอรี่ที่นำกลับมาชาร์จใหม่ได้ ลงในขยะบ้าน!

### แบตเตอรี่แพ็ค/แบตเตอรี่:

#### ลิเธียม ไอออน:

กรุณาปฏิบัติตามคำแนะนำในบทความขนส่ง (ดู "การขนส่ง", หน้า 37)

## Bahasa Indonesia

### Petunjuk Keselamatan

#### Petunjuk keselamatan umum untuk perkakas listrik

##### **⚠ PERINGATAN** Baca semua peringatan, petunjuk, ilustrasi, dan spesifikasi

keselamatan yang diberikan bersama perkakas listrik ini. Kesalahan dalam menjalankan petunjuk di bawah ini dapat mengakibatkan sengatan listrik, kebakaran, dan/atau cedera serius.

##### **Simpanlah semua peringatan dan petunjuk untuk penggunaan di masa mendatang.**

Istilah "perkakas listrik" dalam peringatan mengacu pada perkakas listrik yang dioperasikan dengan listrik (menggunakan kabel) atau perkakas listrik yang dioperasikan dengan baterai (tanpa kabel).

#### Keamanan tempat kerja

- ▶ **Jaga kebersihan dan pencahayaan area kerja.** Area yang berantakan atau gelap dapat memicu kecelakaan.
- ▶ **Jangan mengoperasikan perkakas listrik di lingkungan yang dapat memicu ledakan, seperti adanya cairan, gas, atau debu yang mudah terbakar.** Perkakas listrik dapat memancarkan bunga api yang kemudian mengakibatkan debu atau uap terbakar.
- ▶ **Jauhkan dari jangkauan anak-anak dan pengamat saat mengoperasikan perkakas listrik.** Gangguan dapat menyebabkan hilangnya kendali.

#### Keamanan listrik

- ▶ **Steker perkakas listrik harus sesuai dengan stopkontak. Jangan pernah memodifikasi steker. Jangan menggunakan steker adaptor bersama dengan perkakas listrik yang terhubung dengan sistem grounding.** Steker yang tidak dimodifikasi dan stopkontak yang cocok akan mengurangi risiko sengatan listrik.
- ▶ **Hindari kontak badan dengan permukaan yang terhubung dengan sistem grounding, seperti pipa, radiator, kompor, dan lemari es.** Terdapat peningkatan risiko terjadinya sengatan listrik jika badan Anda terhubung dengan sistem grounding.
- ▶ **Perkakas listrik tidak boleh terpapar hujan atau basah.** Air yang masuk ke dalam perkakas listrik menambah risiko terjadinya sengatan listrik.
- ▶ **Jangan menyalahgunakan kabel. Jangan gunakan kabel untuk membawa, menarik, atau melepas steker perkakas listrik. Jauhkan kabel dari panas, minyak, tepi yang tajam, atau komponen yang bergerak.** Kabel listrik yang rusak atau tersangkut menambah risiko terjadinya sengatan listrik.
- ▶ **Saat mengoperasikan perkakas listrik di luar ruangan, gunakan kabel ekstensi yang sesuai untuk penggunaan di luar ruangan.** Penggunaan kabel yang

cocok untuk pemakaian di luar ruangan mengurangi risiko terjadinya sengatan listrik.

- ▶ **Jika perkakas listrik memang harus dioperasikan di tempat yang lembap, gunakan pemutus arus listrik residu (RCD).** Penggunaan RCD akan mengurangi risiko terjadinya sengatan listrik.

#### Keselamatan personel

- ▶ **Tetap waspada, perhatikan aktivitas yang sedang dikerjakan dan gunakan akal sehat saat mengoperasikan perkakas listrik. Jangan gunakan perkakas listrik saat mengalami kelelahan atau di bawah pengaruh narkoba, alkohol, atau obat-obatan.** Jika perkakas listrik dioperasikan dengan daya konsentrasi yang rendah, hal tersebut dapat menyebabkan cedera serius.
- ▶ **Gunakan peralatan pelindung diri. Selalu kenakan pelindung mata.** Penggunaan perlengkapan pelindung seperti penutup telinga, helm, sepatu anti licin, dan masker debu akan mengurangi cedera.
- ▶ **Hindari start yang tidak disengaja. Pastikan switch berada di posisi off sebelum perkakas listrik dihubungkan ke sumber daya listrik dan/atau baterai, diangkat, atau dibawa.** Membawa perkakas listrik dengan jari menempel pada tombol atau perkakas listrik dalam keadaan hidup dapat memicu kecelakaan.
- ▶ **Singkirkan kunci penyetal atau kunci pas sebelum menghidupkan perkakas listrik.** Perkakas atau kunci pas yang masih menempel pada komponen perkakas listrik yang berputar dapat menyebabkan cedera.
- ▶ **Jangan melampaui batas. Berdirilah secara mantap dan selalu jaga keseimbangan.** Hal ini akan memberikan kontrol yang lebih baik terhadap perkakas listrik pada situasi yang tak terduga.
- ▶ **Kenakan pakaian dengan wajar. Jangan mengenakan perhiasan atau pakaian yang longgar. Jauhkan rambut dan pakaian dari komponen yang bergerak.** Pakaian yang longgar, rambut panjang, atau perhiasan dapat tersangkut dalam komponen yang bergerak.
- ▶ **Jika disediakan perangkat untuk sambungan pengisapan debu dan alat pengumpulan, pastikan perangkat tersebut terhubung dan digunakan dengan benar.** Penggunaan alat pengumpulan dapat mengurangi bahaya yang disebabkan oleh debu.
- ▶ **Jangan berpuas diri dan mengabaikan prinsip keselamatan karena terbiasa mengoperasikan perkakas.** Tindakan yang kurang hati-hati dapat mengakibatkan cedera serius dalam waktu sepersekian detik.

#### Penggunaan dan pemeliharaan perkakas listrik

- ▶ **Jangan memaksakan perkakas listrik. Gunakan perkakas listrik yang sesuai untuk pekerjaan yang dilakukan.** Perkakas listrik yang sesuai akan bekerja dengan lebih baik dan aman sesuai tujuan penggunaan.
- ▶ **Jangan gunakan perkakas listrik dengan switch yang tidak dapat dioperasikan.** Perkakas listrik yang

switchnya yang tidak berfungsi dapat menimbulkan bahaya dan harus diperbaiki.

- ▶ **Lepaskan steker dari sumber listrik dan/atau lepas baterai, jika dapat dilepaskan dari perkakas listrik sebelum menyatel, mengganti aksesoris, atau menyimpan perkakas listrik.** Tindakan preventif akan mengurangi risiko menghidupkan perkakas listrik secara tidak disengaja.
- ▶ **Jauhkan dan simpan perkakas listrik dari jangkauan anak-anak dan jangan biarkan orang-orang yang tidak mengetahui cara menggunakan perkakas listrik, mengoperasikan perkakas listrik.** Perkakas listrik dapat membahayakan jika digunakan oleh orang-orang yang tidak terlatih.
- ▶ **Lakukan pemeliharaan perkakas listrik dan aksesoris.** Periksa komponen yang bergerak apabila tidak lurus atau terikat, kerusakan komponen, dan kondisi lain yang dapat mengganggu pengoperasian perkakas listrik. Apabila rusak, perbaiki perkakas listrik sebelum digunakan. Kecelakaan sering terjadi karena perkakas listrik tidak dirawat dengan baik.
- ▶ **Jaga ketajaman dan kebersihan alat.** Alat pemotong dengan pisau pemotong yang tajam dan dirawat dengan baik tidak akan mudah tersangkut dan lebih mudah dikendalikan.
- ▶ **Gunakan perkakas listrik, aksesoris, dan komponen perkakas dll sesuai dengan petunjuk ini, dengan mempertimbangkan kondisi kerja dan pekerjaan yang akan dilakukan.** Penggunaan perkakas listrik untuk tujuan berbeda dari fungsinya dapat menyebabkan situasi yang berbahaya.
- ▶ **Jaga gagang dan permukaan genggam agar tetap kering, bersih, dan bebas dari minyak dan lemak.** Gagang dan permukaan genggam yang licin tidak menjamin keamanan kerja dan kontrol alat yang baik pada situasi yang tidak terduga.

#### Penggunaan dan pemeliharaan perkakas baterai

- ▶ **Isi ulang daya hanya dengan pengisi daya yang ditentukan oleh produsen.** Pengisi daya yang sesuai untuk satu jenis set baterai dapat menyebabkan risiko kebakaran apabila digunakan dengan set baterai lain.
- ▶ **Hanya gunakan perkakas listrik dengan set baterai yang dirancang khusus.** Penggunaan set baterai lain dapat menyebabkan risiko cedera dan kebakaran.
- ▶ **Apabila set baterai tidak digunakan, jauhkan dari benda logam lainnya, seperti klip kertas, koin, kunci, paku, sekrup, atau benda logam kecil lainnya yang dapat membuat sambungan dari satu terminal ke terminal lainnya.** Memendekkan terminal baterai dapat menyebabkan kebakaran atau api.
- ▶ **Cairan dapat keluar dari baterai jika baterai tidak digunakan dengan benar; hindari kontak. Jika terjadi kontak secara tidak disengaja, bilas dengan air. Jika cairan mengenai mata, segera hubungi bantuan medis.** Cairan yang keluar dari baterai dapat menyebabkan iritasi atau luka bakar.

- ▶ **Jangan gunakan set baterai atau perkakas yang rusak atau telah dimodifikasi.** Baterai yang rusak atau telah dimodifikasi dapat menimbulkan kejadian yang tak terduga seperti kebakaran, ledakan, atau risiko cedera.
- ▶ **Jangan meletakkan set baterai atau perkakas di dekat api atau suhu tinggi.** Paparan terhadap api atau suhu di atas 130 °C dapat memicu ledakan.
- ▶ **Ikuti semua petunjuk pengisian daya dan jangan mengisi daya set baterai atau perkakas di luar rentang suhu yang ditentukan dalam petunjuk.** Pengisian daya yang tidak tepat atau di luar rentang suhu yang ditentukan dapat merusak baterai dan meningkatkan risiko kebakaran.

#### Servis

- ▶ **Minta teknisi berkualifikasi untuk menyervis perkakas listrik dengan hanya menggunakan suku cadang yang identik.** Dengan demikian, hal ini akan memastikan keamanan perkakas listrik.
- ▶ **Jangan pernah melakukan servis pada baterai yang telah rusak.** Servis baterai hanya boleh dilakukan oleh produsen atau penyedia servis resmi.

#### Petunjuk keselamatan untuk palm router

- ▶ **Gunakan penjepit atau cara lain yang praktis untuk mengamankan dan menopang benda kerja pada permukaan yang stabil.** Benda kerja dapat goyah atau kehilangan kendali jika dipegang dengan tangan atau ditahan dengan tubuh Anda.
- ▶ **Kecepatan putaran pisau frais yang diperbolehkan harus setidaknya sebesar kecepatan putaran maksimal yang tercantum pada perkakas listrik.** Pisau frais yang berputar lebih cepat dari yang diperbolehkan dapat patah dan beterbangan.
- ▶ **Alat pemotong atau aksesoris lainnya harus terpasang dengan tepat pada dudukan (collet chuck) perkakas listrik Anda.** Alat kerja yang tidak terpasang dengan tepat pada dudukannya dapat berputar secara tidak stabil, bergetar sangat keras, dan dapat mengakibatkan hilang kendali.
- ▶ **Hidupkan terlebih dahulu perkakas listrik, kemudian perkakas listrik didekatkan pada benda kerja.** Jika tidak, terdapat bahaya sentakan jika alat kerja tersangkut dalam benda yang dikerjakan.
- ▶ **Jangan pernah melakukan pemotongan (frais) pada benda logam, paku, atau sekrup.** Pisau frais dapat rusak dan mengakibatkan getaran yang keras.
- ▶ **Gunakanlah alat detektor logam yang cocok untuk mencari kabel dan pipa yang tidak terlihat atau hubungi perusahaan pengadaan setempat.** Sentuhan dengan kabel-kabel listrik dapat mengakibatkan api dan kontak listrik. Pipa gas yang dirusak dapat mengakibatkan ledakan. Pipa air yang dirusak mengakibatkan barang-barang menjadi rusak.
- ▶ **Jangan menggunakan pisau frais yang tumpul atau rusak.** Pisau frais yang tumpul atau rusak mengakibatkan

gesekan yang lebih besar, dapat tersangkut, dan mengakibatkan ketidakseimbangan.

- ▶ **Sebelum meletakkan perkakas listrik, tunggulah hingga perkakas berhenti berputar.** Alat kerja dapat tersangkut dan menyebabkan perkakas listrik tidak dapat dikendalikan.
- ▶ **Asap dapat keluar apabila terjadi kerusakan atau penggunaan yang tidak tepat pada baterai. Baterai dapat terbakar atau meledak.** Biarkan udara segar mengalir masuk dan kunjungi dokter apabila mengalami gangguan kesehatan. Asap tersebut dapat mengganggu saluran pernafasan.
- ▶ **Jangan membuka baterai.** Ada bahaya terjadinya korsleting.
- ▶ **Baterai dapat rusak akibat benda-benda lancip, seperti jarum, obeng, atau tekanan keras dari luar.** Hal ini dapat menyebabkan terjading hubungan singkat internal dan baterai dapat terbakar, berasap, meledak, atau mengalami panas berlebih.
- ▶ **Hanya gunakan baterai pada produk dari produsen.** Hanya dengan cara ini, baterai dapat terlindung dari kelebihan muatan.



**Lindungi baterai dari panas, misalnya juga dari paparan sinar matahari dalam waktu yang lama, api, kotoran, air dan kelembapan.** Terdapat risiko ledakan dan korsleting.



## Spesifikasi produk dan performa



**Bacalah semua petunjuk keselamatan dan petunjuk penggunaan.** Kesalahan dalam menjalankan petunjuk keselamatan dan petunjuk penggunaan dapat mengakibatkan kontak listrik, kebakaran, dan/atau luka-luka yang berat.

Perhatikan ilustrasi yang terdapat pada sisi sampul panduan pengoperasian.

### Tujuan penggunaan

Perkakas listrik cocok untuk memfrais profil dan profil dengan penyangga yang kokoh pada kayu, bahan sintetis dan material ringan nonlogam.

### Ilustrasi komponen

Penomoran ilustrasi komponen mengacu pada gambar perkakas listrik pada halaman grafis.

- (1) Baterai<sup>a)</sup>
- (2) Tombol pelepas baterai<sup>a)</sup>
- (3) Indikator untuk memonitor suhu/pelindung beban berlebih
- (4) Indikator level pengisian daya baterai
- (5) Tombol on/off
- (6) Panah penanda untuk pengunci spindel
- (7) Tuas pengunci spindel

- (8) Tombol pengaturan kasar kedalaman frais
- (9) Mur pengunci dengan collet chuck
- (10) Roda penyatel untuk pengaturan halus kedalaman frais
- (11) Sekrup pengaman pengaturan kedalaman frais
- (12) Pelat dasar
- (13) Gagang
- (14) Roda pengunci pengaturan kedalaman frais
- (15) Collet chuck
- (16) Dudukan alat kerja
- (17) Pisau frais<sup>a)</sup>
- (18) Kunci pas (17 mm)
- (19) Kolom pemandu halus

a) **Aksesori ini tidak termasuk dalam lingkup pengiriman standar.**

### Data teknis

Mesin frais tepi	GKF 12V-8	
Nomor barang	3 601 FBO 0..	
Tegangan nominal	V=	12
Kecepatan idle <sup>A)</sup>	min <sup>-1</sup>	13000
Collet chuck yang kompatibel	mm inch	6/8 ¼
Hub rumah frais	mm	36
Berat <sup>B)</sup>	kg	1,3–1,5
Suhu sekitar yang direkomendasikan saat pengisian daya	°C	0 ... +35
Suhu sekitar yang diizinkan saat pengoperasian <sup>C)</sup> dan saat penyimpanan	°C	-20 ... +50
Baterai yang direkomendasikan	GBA 12V...	
Perangkat pengisi daya yang direkomendasikan	GAL 12... GAX 18...	

A) diukur pada suhu 20–25 °C dengan baterai **GBA 12V 3.0Ah**

B) tergantung pada baterai yang digunakan

C) daya terbatas pada suhu < 0 °C

Nilai dapat berbeda-beda bergantung pada produk dan mungkin tunduk pada kondisi lingkungan serta penggunaan. Informasi lebih lanjut pada [www.bosch-professional.com/wac](http://www.bosch-professional.com/wac).

## Baterai

**Bosch** menjual perkakas listrik berdaya baterai bahkan tanpa baterai yang disertakan. Keterangan apakah lingkup pengiriman perkakas listrik termasuk dengan baterai dapat ditemukan di kemasan.

### Mengisi daya baterai

- ▶ **Hanya gunakan pengisi daya yang tercantum pada data teknis.** Hanya pengisi daya ini yang sesuai dengan baterai li-ion yang digunakan pada perkakas listrik Anda.



**Catatan:** Baterai lithium-ion dikirim dalam keadaan terisi daya sebagian berdasarkan peraturan transportasi internasional. Untuk menjamin daya penuh dari baterai, isi daya baterai hingga penuh sebelum menggunakannya untuk pertama kali.

### Memasang baterai

Masukkan baterai yang telah terisi daya ke dalam dudukan baterai hingga baterai terkunci.

### Melepas baterai

Untuk melepas baterai, tekan tombol pelepas baterai dan keluarkan baterai. **Jangan melepas baterai dengan paksa.**

### Indikator level pengisian daya baterai

3 LED berwarna hijau pada indikator level pengisian daya baterai menampilkan level pengisian daya baterai. Indikator level pengisian daya hanya menyala selama 5 detik setelah perkakas dihidupkan.

LED	Kapasitas
Lampu permanen hijau 3×	60–100%
Lampu permanen hijau 2×	30–60%
Lampu permanen hijau 1×	5–30%
Lampu berkedip hijau 1×	0–5%

### Indikator untuk pemantauan suhu/pelindung beban berlebih

Indikator LED merah membantu melindungi baterai dari panas berlebih dan melindungi mesin dari beban berlebih. Jika indikator LED **menyala merah terus-menerus**, suhu baterai terlalu tinggi dan perkakas listrik akan mati secara otomatis.

- Matikan perkakas listrik.
- Biarkan baterai menjadi dingin terlebih dulu sebelum melanjutkan pengoperasian perkakas.

Jika indikator LED **berkedip merah**, perkakas listrik terhalang dan akan mati secara otomatis.

Jauhkan perkakas listrik dari benda kerja.

Apabila penghalang telah disingkirkan, perkakas listrik akan bekerja kembali.

### Petunjuk untuk penanganan baterai yang optimal

Lindungilah baterai dari kelembapan dan air.

Simpan baterai hanya pada rentang suhu antara –20 °C hingga 50 °C. Janganlah meletakkan baterai di dalam mobil, misalnya pada musim panas.

Bersihkan lubang ventilasi baterai dengan kuas yang lunak, bersih dan kering secara berkala.

Waktu pengoperasian yang berkurang secara signifikan setelah pengisian daya menunjukkan bahwa baterai telah habis dan perlu diganti.

Perhatikan petunjuk untuk membuang.

## Cara memasang

- ▶ **Lepaskan baterai dari perkakas listrik sebelum melakukan pekerjaan apa pun pada perkakas listrik (misalnya perawatan, penggantian alat kerja, dll.).**

Terdapat risiko cedera apabila tombol on/off ditekan secara tidak sengaja.

### Mengganti alat kerja

- ▶ **Pada waktu memasang dan mengganti pisau frais kami anjurkan agar Anda memakai sarung tangan pelindung.**

Pisau frais asli yang termasuk dalam program aksesoris **Bosch** dapat dibeli di agen penjualan Anda.

### Mengganti collet chuck (lihat gambar A–B)

Sebelum memasang pisau frais, mur harus diganti dengan collet chuck (9) tergantung pada pisau frais yang digunakan.

Jika collet chuck yang sesuai telah dipasang, maka ikutilah petunjuk-petunjuk dalam bab berikut.

Collet chuck (15) harus dipasang ke mur dengan sedikit jarak. Mur (9) harus mudah dipasang. Mur atau collet chuck yang rusak harus segera diganti.

Tarik tuas pengunci spindel (7) hingga ke panah penanda (6) pada housing. Jika perlu, putar spindel mesin dengan tangan hingga terkunci. Terdapat enam \ pilihan posisi dengan offset 60° yang dapat diatur.

Lepas mur pengunci (9) dengan memutar kunci pas (18) berlawanan arah jarum jam.

Jika perlu, sebelum merakit, bersihkan semua bagian yang akan dirakit dengan kuas yang lunak atau dengan cara ditiup.

Pasang mur yang baru ke dudukan alat kerja (16).

Putar mur, tetapi jangan sampai terlalu kencang.

Geser tuas pengunci spindel (7) kembali ke housing.

- ▶ **Kencangkan collet chuck dengan mur pengunci saat tidak ada pisau frais yang terpasang.** Collet chuck dapat rusak karenanya.

### Memasang pisau frais (lihat gambar C)

- ▶ **Pada waktu memasang dan mengganti pisau frais kami anjurkan agar Anda memakai sarung tangan pelindung.**

Tergantung pada tujuan pengoperasiannya, pisau frais tersedia dalam berbagai desain dan kualitas.

**Pisau frais dari baja dengan performa tinggi (HSS)** cocok untuk mengerjakan material yang lembut seperti misalnya kayu lunak dan bahan sintetis.

**Pisau frais dengan ujung karbida (HM)** khusus digunakan untuk material yang keras dan kasar seperti misalnya kayu keras dan aluminium.

Pisau frais asli yang termasuk dalam program aksesoris Bosch dapat Anda beli di agen penjualan Bosch.

Hanya pasang pisau frais yang tidak rusak dan bersih.

Tarik tuas pengunci spindel (7) hingga ke panah penanda (6) pada housing. Jika perlu, putar spindel mesin dengan tangan hingga terkunci. Terdapat enam \ pilihan posisi dengan offset 60° yang dapat diatur.

Lepas mur pengunci (9) dengan memutar kunci pas (18) berlawanan arah jarum jam.

Dorong pisau frais ke dalam collet chuck. Poros frais harus dimasukkan setidaknya 20 mm ke dalam collet chuck.

Kencangkan kembali mur pengunci dengan memutarnya searah jarum jam.

Geser tuas pengunci spindle (7) kembali ke housing.

- **Kencangkan collet chuck dengan mur pengunci saat tidak ada pisau frais yang terpasang.** Collet chuck dapat rusak karenanya.

### Pengisapan debu/serbuk

Debu dari bahan-bahan seperti cat yang mengandung timbel (timah hitam), beberapa jenis kayu, bahan mineral dan logam dapat berbahaya bagi kesehatan. Menyentuh atau menghirup debu-debu ini dapat mengakibatkan reaksi alergi dan/atau penyakit saluran pernapasan pada pengguna atau orang yang berada di dekatnya.

Beberapa debu tertentu seperti debu kayu pohon quercus atau pohon fagus silvatica dianggap dapat mengakibatkan penyakit kanker, terutama dalam campuran dengan bahan-bahan tambahan untuk pengolahan kayu (kromat, obat pengawet kayu). Bahan-bahan yang mengandung asbestos hanya boleh dikerjakan oleh orang-orang yang ahli.

- Perhatikanlah supaya ada pertukaran udara yang baik di tempat kerja.
- Kami anjurkan Anda memakai masker anti debu dengan filter kelas P2.

Taatilah peraturan-peraturan untuk bahan-bahan yang dikerjakan yang berlaku di negara Anda.

- **Hindari debu yang banyak terkumpul di tempat kerja.** Debu dapat tersulut dengan mudah.

## Pengoperasian

### Mengatur kedalaman frais (lihat gambar D–E)

- **Pengaturan kedalaman pemotongan hanya boleh dilakukan saat perkakas listrik dinonaktifkan.**

Letakkan perkakas listrik dengan pisau frais terpasang pada benda kerja yang akan dikerjakan.

Putar roda pengunci (14) sekitar setengah putaran ke arah berlawanan jarum jam untuk membuka kunci pengaturan kedalaman frais.

Tekan dan tahan tombol (8) pengaturan kasar kedalaman frais. Gerakkan unit penggerak ke atas atau bawah dan atur kedalaman kasar frais yang diinginkan. Lepaskan tombol (8).

Atur kedalaman frais yang tepat dengan roda penyetel (10). Satu putaran roda pengatur mengubah kedalaman frais sebesar 1 mm.

Kunci pengaturan kedalaman frais dengan memutar roda pengunci (14) sekitar setengah putaran searah putaran jarum jam.

Periksalah pengaturan kedalaman frais yang dilakukan dengan cara uji coba dan perbaiki jika perlu.

Jika kedalaman frais yang diatur akan dikunci secara permanen, Anda dapat menyekrup sekrup pengaman (11) pada roda penyetel (10) untuk pengaturan halus kedalaman frais.

### Pengoperasian pertama kali

#### Menghidupkan/mematikan

Untuk **menghidupkan** perkakas listrik, geser tombol on/off (5) ke bawah hingga muncul **I** pada switch.

Untuk **mematikan** perkakas listrik, geser tombol on/off (5) ke atas hingga muncul **O** pada switch.

#### Petunjuk pengoperasian

- **Lindungilah pisau frais terhadap benturan dan sentakan.**

#### Arah dan proses frais (lihat gambar F–G)

- **Proses frais harus selalu berlawanan dengan arah putar dari mata frais (17) (gerak berlawanan).** Jika arah pemotongan sesuai dengan arah putar dari mata frais (gerak sama), perkakas listrik dapat terpental dari tangan pengguna.

**Catatan:** Pertimbangkan bahwa pisau frais (17) akan selalu menonjol dari pelat dasar (12). Jangan merusak pola atau benda yang dikerjakan.

Aturlah kedalaman pemotongan yang diinginkan.

Hidupkan perkakas listrik dan letakkan perkakas listrik pada bagian benda yang akan dikerjakan.

Lakukan proses frais dengan dorongan ke depan yang merata.

Setelah pekerjaan pemotongan selesai, matikan perkakas listrik.

- **Jangan meletakkan perkakas listrik sebelum pisau frais benar-benar berhenti.** Alat kerja yang masih berputar dapat mengakibatkan terjadinya luka-luka.

#### Proses frais pinggiran atau profil (lihat gambar H)

Pada pekerjaan memotong pinggiran atau profil tanpa mistar sejajar, pisau frais yang dipakai harus memiliki ujung bundar atau bantalan peluru.

Dekatkan perkakas listrik yang sudah dihidupkan dari samping pada benda yang akan dikerjakan hingga ujung bundar atau bantalan peluru pisau frais terkena pada sisi dari benda yang akan dikerjakan.

Dorong perkakas listrik sepanjang sisi benda yang dikerjakan. Perhatikan supaya pisau frais berada dalam posisi bersudut. Tekanan yang terlalu besar dapat merusak pinggiran benda yang dikerjakan.

Dimensi maksimal benda kerja berikut berlaku untuk mesin frais tepi dan mesin frais bentuk:

Material	Radius mm	Chamfer mm
Kayu keras	10	6
Kayu lunak	12	10
Bahan sintetis	12	10
Pelat MDF (Medium-density fibre)	12	10

Material	Radius mm	Chamfer mm
Pelat multipleks	10	6

## Perawatan dan servis

### Perawatan dan pembersihan

- ▶ **Lepaskan baterai dari perkakas listrik sebelum melakukan pekerjaan apa pun pada perkakas listrik (misalnya perawatan, penggantian alat kerja, dll.).** Terdapat risiko cedera apabila tombol on/off ditekan secara tidak sengaja.
- ▶ **Perkakas listrik dan lubang ventilasi harus selalu dibersihkan agar perkakas dapat digunakan dengan baik dan aman.**

Bersihkan perkakas listrik dengan pengisap debu, sikat atau sikat tangan setelah digunakan. Pastikan kolom pemandu bersih dari serbuk kayu. Olesi minyak pelumas pada kolom pemandu halus (19) dengan setetes minyak pelumas (lihat gambar I).

### Layanan pelanggan dan konsultasi penggunaan

Layanan pelanggan Bosch menjawab semua pertanyaan Anda tentang reparasi dan perawatan serta tentang suku cadang produk ini. Gambaran teknis (exploded view) dan informasi mengenai suku cadang dapat ditemukan di:

[www.bosch-pt.com](http://www.bosch-pt.com)

Tim konsultasi penggunaan Bosch akan membantu Anda menjawab pertanyaan seputar produk kami beserta aksesorinya.

Jika Anda hendak menanyakan sesuatu atau memesan suku cadang, selalu sebutkan nomor model yang terdiri dari 10 angka dan tercantum pada label tipe produk.

#### Indonesia

PT Robert Bosch Indonesia  
Arkadia Green Park Tower G – 7th floor  
Jl. Let. Jend. TB. Simatupang Kav.88  
Jakarta 12520  
Tel.: (021) 3005 5800  
Fax: (021) 3005 5801  
E-Mail: [boschpowertools@id.bosch.com](mailto:boschpowertools@id.bosch.com)  
[www.bosch-pt.co.id](http://www.bosch-pt.co.id)

#### Alamat layanan lainnya dapat ditemukan di:

[www.bosch-pt.com/serviceaddresses](http://www.bosch-pt.com/serviceaddresses)

### Transpor

Baterai li-ion yang direkomendasikan tunduk pada persyaratan terkait peraturan tentang bahan-bahan yang berbahaya. Baterai dapat diangkut di jalan oleh penggunanya tanpa pembatasan lebih lanjut.

Pada pengiriman oleh pihak ketiga (misalnya transportasi udara atau perusahaan ekspedisi), persyaratan terkait pengemasan dan pemberian tanda harus diperhatikan. Dalam hal ini, diperlukan konsultasi dengan ahli bahan-bahan berbahaya saat menyiapkan barang pengiriman.

Kirimkan baterai hanya jika housing-nya tidak rusak. Tutup bagian-bagian yang terbuka dan kemas baterai agar tidak bergerak-gerak di dalam kemasan. Taatilah peraturan-peraturan nasional lainnya yang mungkin lebih rinci yang berlaku di negara Anda.

### Cara membuang



Perkakas listrik, baterai, aksesoris dan kemasan harus didaur ulang dengan cara yang ramah lingkungan.



Jangan membuang perkakas listrik, aki/baterai ke dalam sampah rumah tangga!

### Baterai:

#### Li-ion:

Perhatikanlah petunjuk-petunjuk dalam bab Transpor (lihat „Transpor“, Halaman 43).

## Tiếng Việt

### Hướng dẫn an toàn

#### Hướng dẫn an toàn chung cho dụng cụ điện

**⚠ CẢNH BÁO** Hãy đọc toàn bộ các cảnh báo an toàn, hướng dẫn, hình ảnh và thông số kỹ thuật được cung cấp cho dụng cụ điện cầm tay này. Không tuân thủ mọi hướng dẫn được liệt kê dưới đây có thể bị điện giật, gây cháy và /hay bị thương tật nghiêm trọng.

**Hãy giữ tất cả tài liệu về cảnh báo và hướng dẫn để tham khảo về sau.**

Thuật ngữ "dụng cụ điện cầm tay" trong phần cảnh báo là để cập đến sự sử dụng dụng cụ điện cầm tay của bạn, loại sử dụng điện nguồn (có dây cắm điện) hay vận hành bằng pin (không dây cắm điện).

#### Khu vực làm việc an toàn

- ▶ **Giữ nơi làm việc sạch và đủ ánh sáng.** Nơi làm việc bừa bộn và tối tăm dễ gây ra tai nạn.
- ▶ **Không vận hành dụng cụ điện cầm tay trong môi trường dễ gây nổ, chẳng hạn như nơi có chất lỏng dễ cháy, khí đốt hay rác.** Dụng cụ điện cầm tay tạo ra các tia lửa nên có thể làm rác bén cháy hay bốc khói.
- ▶ **Không để trẻ em hay người đến xem đứng gần khi vận hành dụng cụ điện cầm tay.** Sự phân tâm có thể gây ra sự mất điều khiển.

### An toàn về điện

- ▶ **Phích cắm của dụng cụ điện cầm tay phải thích hợp với ổ cắm. Không bao giờ được cải biến lại phích cắm dưới mọi hình thức. Không được sử dụng phích cắm nối tiếp đất (dây mát).** Phích cắm nguyên bản và ổ cắm đúng loại sẽ làm giảm nguy cơ bị điện giật.
- ▶ **Tránh không để thân thể tiếp xúc với đất hay các vật có bề mặt tiếp đất như đường ống, lò sưởi, hàng rào và tủ lạnh.** Có nhiều nguy cơ bị điện giật hơn nếu cơ thể bạn bị tiếp hay nối đất.
- ▶ **Không được để dụng cụ điện cầm tay ngoài mưa hay ở tình trạng ẩm ướt.** Nước vào máy sẽ làm tăng nguy cơ bị điện giật.
- ▶ **Không được làm dụng dây dẫn điện. Không bao giờ được nắm dây dẫn để xách, kéo hay rút phích cắm dụng cụ điện cầm tay. Không để dây gần nơi có nhiệt độ cao, dầu nhớt, vật nhọn bén và bộ phận chuyển động.** Làm hỏng hay cuộn rối dây dẫn làm tăng nguy cơ bị điện giật.
- ▶ **Khi sử dụng dụng cụ điện cầm tay ngoài trời, dùng dây nối thích hợp cho việc sử dụng ngoài trời.** Sử dụng dây nối thích hợp cho việc sử dụng ngoài trời làm giảm nguy cơ bị điện giật.
- ▶ **Nếu việc sử dụng dụng cụ điện cầm tay ở nơi ẩm ướt là không thể tránh được, dùng thiết bị ngắt mạch tự động (RCD) bảo vệ nguồn.** Sử dụng thiết bị ngắt mạch tự động RCD làm giảm nguy cơ bị điện giật.

### An toàn cá nhân

- ▶ **Hãy tỉnh táo, biết rõ mình đang làm gì và hãy sử dụng ý thức khi vận hành dụng cụ điện cầm tay.** Không sử dụng dụng cụ điện cầm tay khi đang mệt mỏi hay đang bị tác động do chất gây nghiện, rượu hay được phẩm gây ra. Một thoáng mất tập trung khi đang vận hành dụng cụ điện cầm tay có thể gây thương tích nghiêm trọng cho bản thân.
- ▶ **Sử dụng trang bị bảo hộ cá nhân.** Luôn luôn đeo kính bảo vệ mắt. Trang bị bảo hộ như khẩu trang, giày chống trượt, nón bảo hộ, hay dụng cụ bảo vệ tai khi được sử dụng đúng nơi đúng chỗ sẽ làm giảm nguy cơ thương tật cho bản thân.
- ▶ **Phòng tránh máy khởi động bất ngờ.** Bảo đảm công tắc máy ở vị trí tắt trước khi cắm vào nguồn điện và/hay lắp pin vào, khi nhắc máy lên hay khi mang xách máy. Ngáng ngón tay vào công tắc máy để xách hay kích hoạt dụng cụ điện cầm tay khi công tắc ở vị trí mở để dẫn đến tai nạn.
- ▶ **Lấy mọi chìa hay khóa điều chỉnh ra trước khi mở điện dụng cụ điện cầm tay.** Khóa hay chìa còn gắn dính vào bộ phận quay của dụng cụ điện cầm tay có thể gây thương tích cho bản thân.

- ▶ **Không rướn người. Luôn luôn giữ tư thế đứng thích hợp và thẳng bằng.** Điều này tạo cho việc điều khiển dụng cụ điện cầm tay tốt hơn trong mọi tình huống bất ngờ.
- ▶ **Trang phục thích hợp. Không mặc quần áo rộng lủng lẳng hay mang trang sức. Giữ tóc và quần áo xa khỏi các bộ phận chuyển động.** Quần áo rộng lủng lẳng, đồ trang sức hay tóc dài có thể bị cuốn vào các bộ phận chuyển động.
- ▶ **Nếu có các thiết bị đi kèm để nối máy hút bụi và các phụ kiện khác, bảo đảm các thiết bị này được nối và sử dụng tốt.** Việc sử dụng các thiết bị gom hút bụi có thể làm giảm các độc hại liên quan đến bụi gây ra.
- ▶ **Không để thói quen do sử dụng thường xuyên dụng cụ khiến bạn trở nên chủ quan và bỏ qua các quy định an toàn dụng cụ.** Một hành vi bất cẩn có thể gây ra thương tích nghiêm trọng chỉ trong tích tắc.

### Sử dụng và bảo dưỡng dụng cụ điện cầm tay

- ▶ **Không được ép máy.** Sử dụng dụng cụ điện cầm tay đúng loại theo đúng ứng dụng của bạn. Dụng cụ điện cầm tay đúng chức năng sẽ làm việc tốt và an toàn hơn theo đúng tiến độ mà máy được thiết kế.
- ▶ **Không sử dụng dụng cụ điện cầm tay nếu như công tắc không tắt và mở được.** Bất kỳ dụng cụ điện cầm tay nào mà không thể điều khiển được bằng công tắc là nguy hiểm và phải được sửa chữa.
- ▶ **Rút phích cắm ra khỏi nguồn điện và/hay pin ra khỏi dụng cụ điện cầm tay nếu có thể tháo được, trước khi tiến hành bất kỳ điều chỉnh nào, thay phụ kiện, hay cất dụng cụ điện cầm tay.** Các biện pháp ngăn ngừa như vậy làm giảm nguy cơ dụng cụ điện cầm tay khởi động bất ngờ.
- ▶ **Cất giữ dụng cụ điện cầm tay không dùng tới nơi trẻ em không lấy được và không cho người chưa từng biết dụng cụ điện cầm tay hay các hướng dẫn này sử dụng dụng cụ điện cầm tay.** Dụng cụ điện cầm tay nguy hiểm khi ở trong tay người chưa được chỉ cách sử dụng.
- ▶ **Bảo quản dụng cụ điện cầm tay và các phụ kiện.** Kiểm tra xem các bộ phận chuyển động có bị sai lệch hay kẹt, các bộ phận bị rạn nứt và các tình trạng khác có thể ảnh hưởng đến sự vận hành của máy. Nếu bị hư hỏng, phải sửa chữa máy trước khi sử dụng. Nhiều tai nạn xảy ra do bảo quản dụng cụ điện cầm tay tồi.
- ▶ **Giữ các dụng cụ cất bên và sạch.** Bảo quản đúng cách các dụng cụ cất có cạnh cắt bén làm giảm khả năng bị kẹt và dễ điều khiển hơn.

- ▶ **Sử dụng dụng cụ điện cầm tay, phụ kiện, đầu cài v. v., đúng theo các chỉ dẫn này, hãy lưu ý đến điều kiện làm việc và công việc phải thực hiện.** Sự sử dụng dụng cụ điện cầm tay khác với mục đích thiết kế có thể tạo nên tình huống nguy hiểm.
- ▶ **Giữ tay cầm và bề mặt nắm luôn khô ráo, sạch sẽ và không dính dầu mỡ.** Tay cầm và bề mặt nắm trơn trượt không đem lại thao tác an toàn và kiểm soát dụng cụ trong các tình huống bất ngờ.

#### Sử dụng và bảo quản dụng cụ dùng pin

- ▶ **Chỉ được sạc pin lại với bộ nạp điện do nhà sản xuất chỉ định.** Bộ nạp điện thích hợp cho một loại pin có thể gây nguy cơ cháy khi sử dụng cho một loại pin khác.
- ▶ **Chỉ sử dụng dụng cụ điện cầm tay với loại pin được thiết kế đặc biệt dành riêng cho máy.** Sử dụng bất cứ loại pin khác có thể dẫn đến thương tật hay cháy.
- ▶ **Khi không sử dụng pin, để cách xa các vật bằng kim loại như kẹp giấy, tiền xu, chìa khoá, đinh, ốc vít hay các đồ vật kim loại nhỏ khác, thứ có thể tạo sự nối tiếp từ một đầu cực với một đầu cực khác.** Sự chập mạch của các đầu cực với nhau có thể gây bóng hay cháy.
- ▶ **Bảo quản ở tình trạng tối, dung dịch từ pin có thể tửa ra; tránh tiếp xúc.** Nếu vô tình chạm phải, hãy xối nước để rửa. Nếu dung dịch vào mắt, cần thêm sự hỗ trợ của y tế. Dung dịch tiết ra từ pin có thể gây ngứa hay bóng.
- ▶ **Không được sử dụng bộ pin hoặc dụng cụ đã bị hư hại hoặc bị thay đổi.** Pin hỏng hoặc bị thay đổi có thể gây ra những tác động không lường trước được như cháy nổ hoặc nguy cơ thương tích.
- ▶ **Không đặt bộ pin hoặc dụng cụ ở gần lửa hoặc nơi quá nhiệt.** Tiếp xúc với lửa hoặc nhiệt độ cao trên 130 °C có thể gây nổ.
- ▶ **Tuân thủ tất cả các hướng dẫn nạp và không nạp bộ pin hay dụng cụ ở bên ngoài phạm vi nhiệt độ đã được quy định trong các hướng dẫn.** Nạp không đúng cách hoặc ở nhiệt độ ngoài phạm vi nạp đã quy định có thể làm hư hại pin và gia tăng nguy cơ cháy.

#### Bảo dưỡng

- ▶ **Đưa dụng cụ điện cầm tay của bạn đến thợ chuyên môn để bảo dưỡng, chỉ sử dụng phụ tùng đúng chủng loại để thay.** Điều này sẽ đảm bảo sự an toàn của máy được giữ nguyên.
- ▶ **Không bao giờ sửa chữa các bộ pin đã hư hại.** Chỉ cho phép nhà sản xuất hoặc các nhà cung cấp dịch vụ có ủy quyền thực hiện dịch vụ sửa chữa cho các bộ pin.

#### Các hướng dẫn an toàn cho phay cạnh

- ▶ **Sử dụng các kẹp hoặc cách thực tiễn khác để cố định và đỡ phôi gia công vào sàn thao tác cố định.** Việc cầm phôi gia công bằng tay hoặc tựa người vào phôi gia công làm cho nó dễ đổ và có thể dẫn đến mất kiểm soát.
- ▶ **Tốc độ danh định của máy phay phải ít nhất là bằng với tốc độ tối đa được ghi trên dụng cụ điện cầm tay.** Máy phay chạy nhanh hơn tốc độ danh định của chúng có thể văng vỡ ra.
- ▶ **Máy phay hay bất kỳ loại phụ tùng nào khác phải vừa vặn phù hợp với giá đỡ dụng cụ (mâm cặp) của dụng cụ điện.** Mũi phay mà không vừa khít chính xác với phần cặp dụng cụ của máy sẽ quay không đều, rung lắc dữ dội và có thể dẫn đến mất kiểm soát.
- ▶ **Chỉ cho máy gia công vật liệu khi máy đã hoạt động.** Nếu không làm vậy thì sẽ có nguy cơ bị giật ngược do dụng cụ cắt bị kẹp chặt trong vật gia công.
- ▶ **Không phay bằng các vật thể kim loại, đinh hoặc vít.** Mũi phay có thể bị làm hỏng và làm gia tăng sự rung lắc.
- ▶ **Dùng thiết bị dò tìm thích hợp để xác định nếu có các công trình công cộng lắp đặt ngầm trong khu vực làm việc hay liên hệ với Cty công trình công cộng địa phương để nhờ hỗ trợ.** Dụng cụ chạm đường dẫn điện có thể gây ra hỏa hoạn và điện giật. Làm hư hại đường dẫn khí ga có thể gây nổ. Làm thủng ống dẫn nước có thể làm hư hại tài sản hay có thể gây ra điện giật.
- ▶ **Không sử dụng máy phay cùn hoặc bị hỏng.** Mũi phay đã cùn hay hư hỏng làm tăng sự ma sát, có thể bị kẹp chặt và rồi dẫn đến sự mất thăng bằng.
- ▶ **Luôn luôn đợi cho máy hoàn toàn ngừng hẳn trước khi đặt xuống.** Dụng cụ lắp vào máy có thể bị kẹp chặt dẫn đến việc dụng cụ điện cầm tay bị mất điều khiển.
- ▶ **Trong trường hợp pin bị hỏng hay sử dụng sai cách, hơi nước có thể bốc ra. Pin có thể cháy hoặc nổ.** Hãy làm cho thông thoáng khí và trong trường hợp bị đau phải nhờ y tế chữa trị. Hơi nước có thể gây ngứa hệ hô hấp.
- ▶ **Không được tháo pin ra.** Nguy cơ bị chập mạch.
- ▶ **Pin có thể bị hư hại bởi các vật dụng nhọn như đinh hay tuốc-nơ-vít hoặc bởi các tác động lực từ bên ngoài.** Nó có thể dẫn tới đoản mạch nội bộ và làm pin bị cháy, bốc khói, phát nổ hoặc quá nóng.
- ▶ **Chỉ sử dụng pin trong các sản phẩm của nhà sản xuất.** Chỉ bằng cách này, pin sẽ được bảo vệ tránh nguy cơ quá tải.



**Bảo vệ pin không để bị làm nóng, ví dụ, chống để lâu dài dưới ánh nắng gay gắt, lửa, chất bẩn, nước, và sự ẩm ướt.** Có nguy cơ nổ và chập mạch.



## Mô Tả Sản Phẩm và Đặc Tính Kỹ Thuật



**Độc kỹ mọi cảnh báo an toàn và mọi hướng dẫn.** Không tuân thủ mọi cảnh báo và hướng dẫn được liệt kê dưới đây có thể bị điện giật, gây cháy và/hoặc bị thương tật nghiêm trọng.

Xin lưu ý các hình minh hoạt trong phần trước của hướng dẫn vận hành.

### Sử dụng đúng cách

Dụng cụ điện được thiết kế để phay cạnh và biên dạng ở lớp lót cứng trên gỗ, nhựa và các vật liệu nhẹ phi kim loại.

### Các bộ phận được minh họa

Việc đánh số các thành phần đã minh họa liên quan đến mô tả dụng cụ điện trên trang hình ảnh.

- (1) Pin<sup>a)</sup>
- (2) Núm tháo pin<sup>a)</sup>
- (3) Đèn Báo Kiểm Soát Nhiệt Độ/Bảo Vệ Chống Quá Tải
- (4) Đèn báo trạng thái nạp pin
- (5) Công tắc Tắt/Mở
- (6) Mũi tên đánh dấu khóa trực
- (7) Cần khóa trực
- (8) Núm điều chỉnh độ sâu phay
- (9) Mâm cặp
- (10) Núm điều khiển sự điều chỉnh chính xác độ sâu phay
- (11) Vít an toàn để điều chỉnh độ sâu phay
- (12) Chân đế khuôn bao
- (13) Tay Nắm
- (14) Núm khóa để điều chỉnh độ sâu phay
- (15) Cổ góp
- (16) Phần lắp dụng cụ
- (17) Máy phay<sup>a)</sup>
- (18) Chia vận miệng mở (17 mm)
- (19) Cột dẫn tron

a) Phụ kiện này không thuộc phạm vi giao hàng tiêu chuẩn.

### Thông số kỹ thuật

Phay cạnh	GKF 12V-8
Mã số máy	3 601 FB0 0..

Phay cạnh	GKF 12V-8	
Điện thế danh định	V=	12
Tốc độ không tải <sup>A)</sup>	/phút	13000
Vành kẹp tương thích	mm inch	6/8 ¼
Hành trình khuôn bao phay	mm	36
Trọng lượng <sup>B)</sup>	kg	1,3–1,5
Nhiệt độ môi trường được khuyến nghị khi sạc	°C	0 ... +35
Nhiệt độ môi trường cho phép trong quá trình vận hành <sup>C)</sup> và trong quá trình lưu trữ	°C	-20 ... +50
Pin được khuyến dùng		GBA 12V...
Thiết bị nạp được giới thiệu		GAL 12... GAX 18...

A) được đo ở 20–25 °C với pin **GBA 12V 3.0Ah**

B) tùy vào loại pin lốc đang sử dụng

C) hiệu suất giới hạn ở nhiệt độ < 0 °C

Các giá trị có thể khác nhau tùy thuộc vào sản phẩm và tùy thuộc vào ứng dụng và điều kiện môi trường. Xem thêm thông tin chi tiết trên trang [www.bosch-professional.com/wac](http://www.bosch-professional.com/wac).

### Pin

**Bosch** mua dụng cụ điện chạy pin không có pin. Dù pin được bao gồm trong phạm vi giao hàng của dụng cụ điện, bạn có thể tháo bao gi.

### Sạc pin

► **Chỉ sử dụng bộ sạc được để cập trong dữ liệu kỹ thuật.** Chỉ những bộ sạc này phù hợp cho dụng cụ điện cầm tay của bạn có sử dụng pin Li-Ion.

**Hướng dẫn:** Pin Lithium-ion được giao một phần do các quy định vận tải quốc tế. Để bảo đảm đầy đủ điện dung, nạp điện hoàn toàn lại cho pin trước khi sử dụng cho lần đầu tiên.

### Lắp pin

Hãy đẩy pin đã sạc vào giá gắn pin cho đến khi nó vào khớp.

### Tháo pin ra

Để tháo pin bạn hãy ấn nút mở khóa pin và kéo pin ra. **Không dùng sức.**

### Đèn báo trạng thái nạp pin

3 đèn LED màu xanh của màn hình hiển thị tình trạng sạc pin chỉ ra tình trạng sạc của pin. Màn hình hiển thị tình trạng sạc pin chỉ sáng 5 s sau khi bật.

LED	Điện dung
Đèn sáng liên tục 3× màu xanh lá	60–100 %

LED	Điện dung
Đèn sáng liên tục 2x màu xanh lá	30–60 %
Đèn sáng liên tục 1x màu xanh lá	5–30 %
Đèn nhấp nháy 1x màu xanh lá	0–5 %

### Đèn Báo Kiểm Soát Nhiệt Độ/Bảo Vệ Chống Quá Tải

Hiển thị LED đỏ giúp bạn bảo vệ pin khỏi bị quá nhiệt và động cơ khỏi bị quá tải.

Nếu hiển thị LED **sáng liên tục màu đỏ**, nhiệt độ của pin quá cao và dụng cụ điện được ngắt tự động.

- Tắt dụng cụ điện.
- Để cho pin nguội xuống trước khi tiếp tục làm việc.

Nếu hiển thị LED **nhấp nháy màu đỏ**, dụng cụ điện bị chặn và được ngắt tự động.

Lấy dụng cụ điện ra khỏi vật gia công.

Ngay khi việc tắc nghẽn được khắc phục, dụng cụ điện sẽ tiếp tục làm việc.

### Các Khuyến Nghị về Cách Bảo Dưỡng Tốt Nhất cho Pin

Bảo vệ pin hợp khối tránh sự ẩm ướt và nước.

Chỉ bảo quản pin trong tầm nhiệt độ nằm giữa  $-20^{\circ}\text{C}$  và  $50^{\circ}\text{C}$ . Không để pin trong ô tô vào mùa hè.

Thỉnh thoảng làm sạch các khe thông gió của pin bằng cách dùng một cái cọ khô, mềm và sạch.

Sự giám sát đáng kể thời gian hoạt động sau khi nạp điện chỉ rõ rằng pin hợp khối đã hết công dụng và phải được thay.

Quy trình hoạt động được chia ra làm hai giai đoạn.

### Sự lắp vào

- ▶ **Trước khi tiến hành bất cứ công việc gì với máy (ví dụ: bảo dưỡng, thay dụng cụ v.v..) tháo pin ra khỏi dụng cụ điện.** Có nguy cơ gây thương tích khi vô tình làm kích hoạt công tắc bật/tắt.

### Thay Dụng Cụ

- ▶ **Để lắp hay thay mũi phay, xin khuyến nghị nên mang găng bảo vệ tay.**

Bạn có thể mua được các loại mũi phay chính hãng trong chương trình phụ kiện tổng quát của **Bosch** ở cửa hàng chuyên ngành.

### Thay vành kẹp (xem Hình A–B)

Tùy theo máy cắt được sử dụng, bạn phải thay đổi núm xoay bằng một vòng đai (9) trước khi lắp máy cắt.

Nếu đã lắp sẵn sàng vòng đai cho máy cắt của bạn, hãy tiếp tục các bước làm trong mục sau đây.

Cổ góp (15) phải khớp vào đai ốc mũ với một khe hở. Đai ốc mũ (9) phải được lắp dễ dàng. Nếu mâm cặp hay cổ góp bị hỏng, cần phải thay ra ngay.

Kéo tay đòn khóa trục (7) ra cho đến mũi tên đánh dấu (6) trên vỏ bọc. Xoay trục động cơ bằng tay nếu cần, cho đến khi nó được khóa. Có thể là sáu dụng cụ ở  $60^{\circ}$  vị trí được dịch chuyển.

Bạn vận núm xoay ra ngược chiều kim đồng hồ (9) bằng cờ lê (18).

Nếu cần, trước khi lắp các bộ phận vào, dùng một cọ mềm để chải hay dùng khí nén để thổi sạch trước.

Hãy đặt đai ốc mũ mới lên giá đỡ dụng cụ (16).

Vặn mâm cặp chặt lại một cách vừa phải.

Đẩy tay đòn khóa trục (7) vào vỏ bọc.

- ▶ **Không siết chặt cổ góp với đai ốc mũ, nếu máy phay chưa được lắp.** Nếu không, cổ góp có thể bị hỏng.

### Lắp máy phay (xem Hình C)

- ▶ **Để lắp hay thay mũi phay, xin khuyến nghị nên mang găng bảo vệ tay.**

Tùy theo mục đích ứng dụng, hầu hết các loại mũi phay khác nhau về kiểu dáng và chất lượng hiện đều có bán ở thị trường.

**Máy phay làm từ thép siêu tốc hiệu suất cao (HSS)** phù hợp để gia công vật liệu mềm ví dụ như gỗ mềm và nhựa.

**Các máy phay có lưỡi cắt kim loại cứng (HM)** đặc biệt phù hợp với vật liệu cứng và mài mòn như gỗ cứng và nhôm.

Bạn có thể mua được các loại mũi phay chính hãng trong chương trình phụ kiện tổng quát của Bosch ở cửa hàng chuyên ngành.

Chỉ sử dụng mũi phay sạch và có tình trạng hoàn hảo.

Kéo tay đòn khóa trục (7) ra cho đến mũi tên đánh dấu (6) trên vỏ bọc. Xoay trục động cơ bằng tay nếu cần, cho đến khi nó được khóa. Có thể là sáu dụng cụ ở  $60^{\circ}$  vị trí được dịch chuyển.

Bạn vận núm xoay ra ngược chiều kim đồng hồ (9) bằng cờ lê (18).

Lắp mũi phay vào trong cổ góp. Trục máy phay phải được đẩy ít nhất 20 mm vào vành kẹp.

Vặn chặt mâm cặp lại như cũ bằng cách xoay theo chiều đồng hồ.

Đẩy tay đòn khóa trục (7) vào vỏ bọc.

- ▶ **Không siết chặt cổ góp với đai ốc mũ, nếu máy phay chưa được lắp.** Nếu không, cổ góp có thể bị hỏng.

### Hút Dăm/Bụi

Mạt bụi từ các vật liệu được sơn phủ ngoài có chứa chì trên một số loại gỗ, khoáng vật và kim loại có thể gây nguy hại đến sức khỏe con người. Dụng cụ chạm hay hít thở các bụi này có thể làm người sử

dụng hay đứng gần bị dị ứng và/hoặc gây nhiễm trùng hệ hô hấp.

Một số mặt bụi cụ thể, ví dụ như bụi gỗ sồi hay đậu, được xem là chất gây ung thư, đặc biệt là có liên quan đến các chất phụ gia dùng xử lý gỗ (chất cromat, chất bảo quản gỗ). Có thể chỉ nên để thợ chuyên môn gia công các loại vật liệu có chứa amiăng.

- Tạo không khí thông thoáng nơi làm việc.
- Khuyến nghị nên mang mặt nạ phòng độc có bộ lọc cấp P2.

Tuân thủ các qui định của quốc gia bạn liên quan đến loại vật liệu gia công.

- ▶ **Tránh không để rác tích tụ tại nơi làm việc.**  
Rác có thể dễ dàng bắt lửa.

## Vận Hành

### Điều chỉnh độ sâu phay (xem Hình D–E)

- ▶ **Chỉ điều chỉnh độ sâu phay khi dụng cụ điện được tắt.**

Với máy đã lắp mũi phay vào, đặt dụng cụ điện lên trên vật liệu được gia công.

Xoay núm khóa (14) nửa vòng ngược chiều kim đồng hồ, để mở khóa điều chỉnh độ sâu phay.

Hãy nhấn phím (8) của điều chỉnh thô độ sâu phay và nhấn giữ. Hãy di chuyển đơn vị truyền động lên trên hoặc xuống dưới và điều chỉnh thô độ sâu phay mong muốn. Hãy nhả nút (8).

Điều chỉnh độ sâu phay chính xác bằng núm điều chỉnh (10). Một vòng quay của núm điều chỉnh sẽ thay đổi độ sâu phay thêm 1 mm.

Khóa điều chỉnh độ sâu phay, bằng cách xoay núm khóa (14) nửa vòng ngược chiều kim đồng hồ.

Nếu cần thiết, kiểm tra chiều sâu phay bằng cách phay thử thực tế và điều chỉnh lại.

Nếu độ sâu phay đã chỉnh được đảm bảo liên tục, bạn có thể vận vít an toàn (11) vào núm điều chỉnh (10) của điều chỉnh tinh độ sâu phay.

### Bắt Đầu Vận Hành

#### Bật Mở và Tắt

Để **bật** dụng cụ điện hãy đẩy công tắc Tắt/Mở (5) xuống dưới, để trên công tắc I xuất hiện.

Để **tắt** dụng cụ điện hãy đẩy công tắc Tắt/Mở (5) lên trên, để trên công tắc 0 xuất hiện.

#### Hướng Dẫn Sử Dụng

- ▶ **Tránh không để mũi phay chịu sự va đập và bị tác động mạnh.**

#### Hướng phay và quá trình phay (xem Hình F–G)

- ▶ **Quá trình phay phải luôn được thực hiện theo cùng chiều quay của máy phay (17) (chuyển động cắt đi lên).** Khi phay theo cùng chiều quay của mũi phay (chuyển động cắt đi

xuống), máy có thể bị đẩy rời ra, làm cho người sử dụng mất điều khiển.

**Hướng dẫn:** Hãy lưu ý rằng máy phay luôn nhô ra (17) khỏi chân đế khuôn bao (12). Không được làm hư hỏng khuôn mẫu hay vật gia công.

Chỉnh độ sâu máy mong muốn.

Mở cho máy hoạt động và đưa máy đến vị trí cần được phay.

Tiến hành quy trình phay với thao tác gia công đều tay.

Sau khi phay, tắt dụng cụ điện.

- ▶ **Không được đặt dụng cụ điện xuống cho đến khi máy phay đã ngừng quay hoàn toàn.** Các dụng cụ cắt vẫn đang còn chạy có thể gây thương tích.

#### Phay cạnh hoặc phanh hình dạng (xem hình H)

Khi phay biên hay định hình mà không sử dụng dưỡng cặp cạnh, mũi phay phải được trang bị phần trục dẫn hướng hay ổ bạc đạn.

Đẩy máy đang mở ngang từ hông vào vật liệu gia công cho đến khi phần trục dẫn hướng hay ổ bạc đạn của mũi phay giáp vào cạnh của vật liệu gia công.

Đẩy máy dọc theo cạnh của vật liệu gia công. Bảo đảm máy được đặt ở vị trí vuông góc với vật liệu gia công. Dùng sức ép quá mức có thể làm hư cạnh biên của vật gia công.

Các kích thước phối tối đa sau đây được áp dụng cho phay cạnh và phay hình dạng:

Nguyên liệu	Bán kính mm	Cạnh vát mm
Gỗ cứng	10	6
Gỗ mềm	12	10
Nhựa	12	10
Tấm MDF	12	10
Tấm Multiplex	10	6

## Bảo Dưỡng và Bảo Quản

### Bảo Dưỡng Và Làm Sạch

- ▶ **Trước khi tiến hành bất cứ công việc gì với máy (ví dụ: bảo dưỡng, thay dụng cụ v.v..) tháo pin ra khỏi dụng cụ điện.** Có nguy cơ gây thương tích khi vô tình làm kích hoạt công tắc bật/tắt.

- ▶ **Để được an toàn và máy hoạt động đúng chức năng, luôn luôn giữ máy và các khe thông gió được sạch.**

Hãy vệ sinh dụng cụ điện sau khi sử dụng bằng máy hút bụi, chổi hoặc bàn chải cầm tay. Hãy đảm bảo rằng các cột dẫn không có bụi gỗ. Bôi trơn cột dẫn trơn (19) bằng một giọt chất bôi trơn (xem Hình I).



## Dịch vụ hỗ trợ khách hàng và tư vấn sử dụng

Bộ phận phục vụ hàng sau khi bán của chúng tôi trả lời các câu hỏi liên quan đến việc bảo dưỡng và sửa chữa các sản phẩm cũng như phụ tùng thay thế của bạn. Sơ đồ mô tả và thông tin về phụ tùng thay thế cũng có thể tra cứu theo dưới đây:

**www.bosch-pt.com**

Đội ngũ tư vấn sử dụng của Bosch sẽ giúp bạn giải đáp các thắc mắc về sản phẩm và phụ kiện.

Trong tất cả các phản hồi và đơn đặt phụ tùng, xin vui lòng luôn luôn nhập số hàng hóa 10 chữ số theo nhãn của hàng hóa.

### Việt Nam

CN CÔNG TY TNHH BOSCH VIỆT NAM TẠI

TP.HCM

Tầng 14, Ngôi Nhà Đức, 33 Lê Duẩn

Phường Bến Nghé, Quận 1, Thành Phố Hồ Chí Minh

Tel.: (028) 6258 3690

Fax: (028) 6258 3692 - 6258 3694

Hotline: 1900 9988 50

Email: [tuvankhachhang-pt@vn.bosch.com](mailto:tuvankhachhang-pt@vn.bosch.com)

[www.bosch-pt.com.vn](http://www.bosch-pt.com.vn)

### Xem thêm địa chỉ dịch vụ tại:

[www.bosch-pt.com/serviceaddresses](http://www.bosch-pt.com/serviceaddresses)

## Vận chuyển

Pin Li-Ion được khuyến nghị là đối tượng phải tuân theo các quy định của Pháp Luật về Hàng Hóa Nguy Hiểm. Người sử dụng có thể vận chuyển pin hợp khối bằng đường bộ mà không cần thêm yêu cầu nào khác.

Khi được vận chuyển thông qua bên thứ ba (vd. vận chuyển bằng đường hàng không hay đại lý giao nhận), phải tuân theo các yêu cầu đặc biệt về đóng gói và dán nhãn. Phải tham vấn chuyên gia về hàng hóa nguy hiểm khi chuẩn bị gói hàng.

Chỉ gửi pin hợp khối khi vỏ ngoài không bị hư hỏng. Dán băng keo hay che kín các điểm tiếp xúc hở và đóng gói pin hợp khối theo cách sao cho pin không thể xê dịch khi nằm trong bao bì. Ngoài ra, xin vui lòng chấp hành các quy định chi tiết có thể được bổ sung thêm của quốc gia.

## Sự thải bỏ



Dụng cụ điện, pin, phụ kiện và bao bì cần được tái sử dụng theo quy định về môi trường.



Bạn không được ném dụng cụ điện và pin vào thùng rác gia đình!

مخصص للاستعمال الخارجي من خطر الصدمات الكهربائية.

إن لم يكن بالإمكان تجنب تشغيل العدة الكهربائية في الأجواء الرطبة، فاستخدم مفتاح للوقاية من التيار المتخلف. إن استخدام مفتاح للوقاية من التيار المتخلف يقلل خطر الصدمات الكهربائية.

#### أمان الأشخاص

كن يقظا وانتبه إلى ما تفعله واستخدم العدة الكهربائية بتعقل. لا تستخدم عدة كهربائية عندما تكون متعبا أو عندما تكون تحت تأثير المخدرات أو الكحول أو الأدوية. عدم الانتباه للحظة واحدة عند استخدام العدة الكهربائية قد يؤدي إلى إصابات خطيرة.

قم لارتداء تجهيزات الحماية الشخصية. وارتد دائما نظارات واقية. يحد ارتداء تجهيزات الحماية الشخصية، كقناع الوقاية من الغبار وأحذية الأمان الواقية من الانزلاق والوذ أو واقية الأذنين، حسب ظروف استعمال العدة الكهربائية، من خطر الإصابة بجروح.

تجنب التشغيل بشكل غير مقصود. تأكد من كون العدة الكهربائية مطفأة قبل توصيلها بالتيار الكهربائي و/أو بالمركم، وقبل رفعها أو حملها. إن كنت تضع إصبعك على المفتاح أثناء حمل العدة الكهربائية أو إن وصلت الجهاز بالشبكة الكهربائية بينما لا مفتاح على وضع التشغيل، قد يؤدي إلى وقوع الحوادث.

انزع أداة الضبط أو مفتاح الربط قبل تشغيل العدة الكهربائية. قد تؤدي الأداة أو المفتاح المتواجد في جزء دوار من الجهاز إلى الإصابة بجروح.

تجنب أوضاع الجسم غير الطبيعية. قف بأمان وحافظ على توازنك دائما. سيسمح لك ذلك بالتمكّن في الجهاز بشكل أفضل في الموافف الغير متوقعة.

قم بارتداء ثياب مناسبة. لا ترتد الثياب الفضفاضة أو الحلى. احرص على إبقاء الشعر والملابس بعيدا عن الأجزاء المتحركة. قد تشابك الثياب الفضفاضة والحلى والشعر الطويل بالأجزاء المتحركة.

إن جاز تركيب تجهيزات شفت وتجميع الغبار، فتأكد من أنها موصولة وبأنه يتم استخدامها بشكل سليم. قد يقلل استخدام تجهيزات لشفت الغبار من المخاطر الناتجة عن الغبار.

لا تستخدم العدة الكهربائية بلا مبالاة وتتجاهل قواعد الأمان الخاصة بها نتيجة لتعودك على استخدام العدة الكهربائية وكثرة استخدامها. فقد يتسبب الاستخدام دون حرص في حدوث إصابة بالغة تحدث في أجزاء من الثانية.

حسن معاملة واستخدام العدد الكهربائية

لا تفرط بتحميل الجهاز. استخدم لتنفيذ أشغالك العدة الكهربائية المخصصة لذلك. إنك تعمل بشكل أفضل وأكثر أمنا بواسطة العدة الكهربائية الملائمة في مجال الأداء المذكور.

لا تستخدم العدة الكهربائية إن كان مفتاح تشغيلها تالف. العدة الكهربائية التي لم يعد من

## عربي

### إرشادات الأمان

#### الإرشادات العامة للأمان بالعدد الكهربائية

##### تحذير

اطلع على كافة تحذيرات الأمان والتعليمات والصور والمواصفات المرفقة بالعدة الكهربائية. عدم اتباع التعليمات الواردة أدناه قد يؤدي إلى حدوث صدمة كهربائية، إلى نشوب حريق و/أو الإصابة بجروح خطيرة.

احتفظ بجميع الملاحظات التحذيرية والتعليمات للمستقبل.

يقصد بمصطلح «العدة الكهربائية» المستخدم في الملاحظات التحذيرية، العدد الكهربائية الموصولة بالشبكة الكهربائية (بواسطة كابل الشبكة الكهربائية) وأيضاً العدد الكهربائية المزودة بمركم (دون كابل الشبكة الكهربائية).

#### الأمان بمكان الشغل

حافظ على نظافة مكان شغلك وإضاءته بشكل جيد. الفوضى في مكان الشغل ونطاقات العمل غير المضاة قد تؤدي إلى وقوع الحوادث.

لا تشتغل بالعدة الكهربائية في نطاق معرض لخطر الانفجار مثل الأماكن التي تتوفر فيه السوائل أو الغازات أو الأبخرة القابلة للاشتعال. العدد الكهربائية تولد شررا قد يتطاير، فيشعل الأبخرة والأبخرة.

حافظ على بقاء الأطفال وغيرهم من الأشخاص بعيدا عندما تستعمل العدة الكهربائية. تشتيت الانتباه قد يتسبب في فقدان السيطرة على الجهاز.

#### الأمان الكهربائي

يجب أن يتلائم قابس العدة الكهربائية مع المقبس. لا يجوز تغيير القابس بأي حال من الأحوال. لا تستعمل القوايس المهينة مع العدد الكهربائية المؤرّضة (ذات طرف أرضي). تخفّض القوايس التي لم يتم تغييرها والمقابس الملائمة من خطر الصدمات الكهربائية.

تجنب ملامسة جسمك للأسطح المؤرّضة كالأنابيب والمبردات والمواقد أو التلّاجات. يزداد خطر الصدمات الكهربائية عندما يكون جسمك مؤرّض أو موصل بالأرضي.

أبعد العدة الكهربائية عن الأمطار أو الرطوبة. يزداد خطر الصدمات الكهربائية إن تسرب الماء إلى داخل العدة الكهربائية.

لا تسيّ استعمال الكابل. لا تستخدم الكابل في حمل العدة الكهربائية أو سحبها أو سحب القابس من المقبس. احرص على إبعاد الكابل عن الحرارة والزيت والحواف الحادة أو الأجزاء المتحركة. تزيد الكابلات التالفة أو المتشابكة من خطر الصدمات الكهربائية.

عند استخدام العدة الكهربائية خارج المنزل اقتصر على استخدام كابلات التمديد الصالحة للاستعمال الخارجي. يقلل استعمال كابل تمديد

- ذلك. قد يؤدي سائل المركم المتسرب إلى تهيج البشرة أو إلى الاحتراق.
- ◀ لا تستخدم عدة أو مركم تعرضاً لأضرار أو للتعديل. البطاريات المتعرضة لأضرار أو لتعديلات قد ينتج عنها أشياء لا يمكن التنبؤ بها، قد تسبب نشوب حريق أو حدوث انفجار أو إصابات.
- ◀ لا تعرض المركم أو العدة للهب أو لدرجة حرارة زائدة. التعرض للهب أو لدرجة حرارة أعلى من 130 °م قد يتسبب في انفجار.
- ◀ اتبع تعليمات الشحن ولا تقم بشحن المركم أو العدة خارج نطاق درجة الحرارة المحدد في التعليمات. الشحن بشكل غير صحيح أو في درجات حرارة خارج النطاق المحدد قد يعرض المركم لأضرار ويزيد من مخاطر الحريق.

#### الخدمة

- ◀ احرص على إصلاح عدتك الكهربائية فقط بواسطة العمال المتخصصين وباستعمال قطع الغيار الأصلية فقط. يضمن ذلك المحافظة على أمان الجهاز.
- ◀ لا تقم بإجراء أعمال خدمة على المراكم التالفة. أعمال الخدمة على المراكم يجب أن تقوم بها الجهة الصانعة فقط أو مقدم الخدمة المعتمد.

#### إرشادات الأمان لماكينات تفريز الحواف

- ◀ استخدم قامطات أو طريقة عملية أخرى لتأمين قطعة الشغل وتدعيمها على منصة ثابتة. مسك قطعة الشغل بيدك أو سندها على جسمك يجعلها غير ثابتة وقد يؤدي إلى فقدان السيطرة.
- ◀ يجب أن يوافق عدد لفات لقمة الفرز المسموع به عدد اللفات الأقصى المذكور على العدة الكهربائية على الأقل. إن لقم الفرز التي تدور بسرعة تزيد عن السرعة المسموحة، قد تنكسر وتتطاير.
- ◀ يجب أن تناسب لقمة الفرز والتوابع الأخرى حاضن العدة (ملقمة التثبيت) لعدتك الكهربائية بالضبط. إن عدد الشغل التي لا تتلائم مع حاضن عدد العدة الكهربائية بشكل دقيق تدور بشكل غير منتظم وتهتز بشدة وقد تؤدي إلى فقدان التحكم بالعدة.
- ◀ وجه العدة الكهربائية نمو قطعة الشغل فقط عندما تكون في حالة التشغيل. قد يتشكل خطر الصدمات الارتدادية إن تكلبت عدة الشغل في قطعة الشغل.
- ◀ لا تقوم بالتفريز أبداً عبر القطع المعدنية أو المسامير واللواكب. قد تتلف لقمة الفرز، فتؤدي إلى اهتزازات زائدة.
- ◀ استخدم أجهزة تنقيب ملائمة للعثور على خطوط الإمداد غير الظاهرة، أو استعن بشركة الإمداد العملية. ملامسة الخطوط الكهربائية قد تؤدي إلى اندلاع النار وإلى الصدمات الكهربائية. حدوث أضرار بخطر الغاز قد يؤدي إلى حدوث انفجارات. اختراق خط الماء يتسبب في وقوع أضرار مادية.

- الممكن التحكم بها عن طريق مفتاح التشغيل والإطفاء تعتبر خطيرة ويجب أن يتم إصلاحها.
- ◀ اسحب القابس من المقبس و/أو اخلع المركم، إذا كان قابلاً للخلع، قبل ضبط الجهاز وقبل استبدال الملحقات أو قبل تخزين الجهاز. تمنع هذه الإجراءات وقائية تشغيل العدة الكهربائية بشكل غير مقصود.
- ◀ احتفظ بالعدد الكهربائية التي لا يتم استخدامها بعيداً عن متناول الأطفال. لا تسمح باستخدام العدة الكهربائية لمن لا خبرة له بها أو لمن لم يقرأ تلك التعليمات. العدد الكهربائي خطيرة إن تم استخدامها من قبل أشخاص دون خبرة.
- ◀ اعتن بالعدة الكهربائية والملحقات بشكل جيد. تأكد أن أجزاء الجهاز المتحركة مركبة بشكل سليم وغير مستعصية عن الحركة، وتفحص ما إن كانت هناك أجزاء مكسورة أو في حالة تؤثر على سلامة أداء العدة الكهربائية. ينبغي إصلاح هذه الأجزاء التالفة قبل إعادة تشغيل الجهاز. الكثير من الحوادث مصدرها العدد الكهربائي التي تتم صيانتها بشكل رديء.
- ◀ احرص على إبقاء عدد القطع نظيفة وحادة. إن عدد القطع ذات حواف القطع المادة التي تم صيانتها بعناية تتكلم بشكل أقل ويمكن توجيهها بشكل أيسر.
- ◀ استخدم العدد الكهربائية والتوابع وريش الشغل إلخ. وفقاً لهذه التعليمات. تراعى أثناء ذلك ظروف الشغل والعمل المراد تنفيذه. استخدام العدد الكهربائية لغير الأشغال المخصصة لأجلها قد يؤدي إلى حدوث الحلات الخطيرة.
- ◀ احرص على إبقاء المقابض وأسطح المسك جافة ونظيفة وخالية من الزيوت والشحوم. المقابض وأسطح المسك الزلقة لا تتبع التشغيل والتحكم الأمان في العدة في المواقف غير المتوقعة.
- حسن معاملة واستخدام العدد المزودة بمركم اشحن المراكم فقط في أجهزة الشحن التي يُنصح باستخدامها من طرف المنتج. قد يتسبب جهاز الشحن المخصصة لنوع معين من المراكم في خطر الحريق إن تم استخدامه مع نوع آخر من المراكم.
- ◀ استخدم العدد الكهربائية فقط مع المراكم المصممة لهذا الغرض. قد يؤدي استخدام المراكم الأخرى إلى إصابات وإلى خطر نشوب الحرائق.
- ◀ حافظ على إبعاد المركم الذي لا يتم استعماله عن مشابك الورق وقطع النقود المعدنية والمفاتيح والمسامير واللواكب أو غيرها من الأغراض المعدنية الصغيرة التي قد تقوم بتوصيل الملامسين ببعضهما البعض. قد يؤدي تقصير الدارة الكهربائية بين ملامسي المركم إلى الاحتراق أو إلى اندلاع النار.
- ◀ قد يتسرب السائل من المركم في حالة سوء الاستعمال. تجنب ملامسته. اشطفه بالماء في حال ملامسته بشكل غير مقصود. إن وصل السائل إلى العينين، فراجع الطبيب إضافة إلى

- (8) زر للضبط التقريبي لعمق التفريز
  - (9) صامولة وصل مع ظرف طوقي
  - (10) عجلة الضبط الدقيق لعمق الفرز
  - (11) لولب تأمين وسيلة ضبط عمق التفريز
  - (12) صفيحة القاعدة
  - (13) مقبض يدوي
  - (14) طارة قفل وسيلة ضبط عمق التفريز
  - (15) الظرف الطوقي
  - (16) حاضن العدة
  - (17) لقمة فرز<sup>(a)</sup>
  - (18) المفتاح الهلالي (17 مم)
  - (19) عمود دليلي أملس
- (a) إن هذه التوابع ليست محتواة ضمن إطار التوريد الاعتيادي.

### البيانات الفنية

فارزة حواف		GKF 12V-8
رقم الصنف		3 601 FB0 0..
الجهد الاسمي	فلط=	12
عدد اللفات اللاحملي <sup>(A)</sup>	لفة/ دقيقة	13000
أظرف طوقية متوافقة	مم بوصة	6/8 ¼
شوط سلة الفرز	مم	36
الوزن <sup>(B)</sup>	كجم	1,5-1,3
درجة الحرارة المحيطة الموصى بها عند الشحن	°م	35+ ... 0
درجة الحرارة الخارجية المسموح بها عند التشغيل وعند التخزين <sup>(C)</sup>	°م	50+ ... 20-
المركم الموصى بها		GBA 12V...
أجهزة الشحن الموصى بها		GAL 12... GAX 18...

(A) مقاسة عند درجة حرارة 20-25 °م مع مركم GBA 12V 3.0Ah

(B) حسب المركم المستخدم

(C) قدرة محدودة في درجات الحرارة > 0 °م  
قد تختلف القيم حسب المنتج وظروف الاستخدام والبيئة. المزيد من المعلومات على موقع الانترنت  
[www.bosch-professional.com/wac](http://www.bosch-professional.com/wac)

### مركم

تبيع شركة Bosch العدد الكهربائي العاملة بمركم دون مركم أيضًا. يمكنك أن تعرف من العبوة ما إذا كان المركم موجود ضمن مجموعة التجهيزات الموردة مع العدة الكهربائية الخاصة بك.

### شحن المركم

◀ **اقتصر على استخدام أجهزة الشحن المذكورة في المواصفات الفنية.** أجهزة الشحن هذه دون غيرها هي المتوائمة مع مركم أيونات الليثيوم المستخدم في عدتك الكهربائية.

◀ **لا تستخدم لقم الفرز الثالثة أو التالفة.** إن لقم الفرز الثالثة أو التالفة تنتج احتكاك زائد، وقد تنقمت وتؤدي إلى اختلال التوازن.

◀ **انتظر إلى أن تتوقف العدة الكهربائية عن الحركة قبل أن تضعها جانباً.** قد تتكبل عدة الشغل فتؤدي إلى فقدان السيطرة على العدة الكهربائية.

◀ **قد تنطلق أبخرة عند تلف المركم واستخدامه بطريقة غير ملائمة.** يمكن أن يحترق المركم أو يتعرض للانفجار. أمن توفر الهواء النقي وراجع الطبيب إن شعرت بشكوى. قد تهيج هذه الأبخرة المجازي التنفسية.

◀ **لا تفتح المركم.** يتشكل خطر تقصير الدائرة الكهربائية.

◀ **يمكن أن يتعرض المركم لأضرار من خلال الأشياء المعدنية مثل المسامير والمفكات أو من خلال تأثير القوى الخارجية.** وقد يؤدي هذا إلى تقصير الدائرة الكهربائية الداخلية واحترق المركم أو خروج الدخنة منه أو انفجاره وتعرضه لسخونة مفرطة.

◀ **اقتصر على استخدام المركم في منتجات الجهة الصانعة.** يتم حماية المركم من فرط التحميل الخطير بهذه الطريقة فقط دون غيرها.

◀ **احرص على حماية المركم من الحرارة، بما ذلك التعرض لأشعة الشمس باستمرار ومن النار والانساخ والماء والرطوبة.** حيث ينشأ خطر الانفجار وخطر حدوث دائرة قصر.



### وصف المنتج والأداء

◀ **اقرأ جميع إرشادات الأمان والتعليمات.** ارتكاب الأخطاء عند تطبيق إرشادات الأمان والتعليمات، قد يؤدي إلى حدوث صدمات الكهربائية أو إلى نشوب الحرائق و/أو الإصابة بجروح خطيرة.



يرجى الرجوع إلى الصور الموجودة في الجزء الأول من دليل التشغيل.

### الاستعمال المخصص

العدة الكهربائية مخصصة لتفريز الحواف والقطاعات في الخشب والبلاستيك وليست لخامات البناء المعدنية الخفيفة وذلك في حالة القاعدة الثابتة.

### الأجزاء المصورة

يشير ترقيم الأجزاء المصورة إلى الصورة المعروضة للعدة الكهربائية في صفحة الرسوم.

- (1) المركم<sup>(a)</sup>
- (2) زر فك إقفال المركم<sup>(a)</sup>
- (3) مؤشر مراقبة درجة الحرارة/واقية فرط التحميل
- (4) مبين حالة شحن المركم
- (5) مفتاح التشغيل والإطفاء
- (6) سهم تمييز قفل محور الدوران
- (7) ذراع تثبيت محور الدوران

هناك خطر إصابة بجروح في حالة الضغط على مفتاح التشغيل والإطفاء بشكل غير مقصود.

## استبدال العدد

### ◀ ينصح بارتداء قفازات واقية عند تركيب واستبدال لقم الفرز.

يمكنك الحصول على عدد الفرز الأصلية من برنامج Bosch للملحقات أو من التاجر المتخصص.

### تغيير الظرف الطوقي (انظر الصور A-B)

تبعاً للقامة الفرز المستخدمة، يجب تغيير صامولة الوصل باستخدام الظرف الطوقي قبل تركيب لقامة الفرز (9).

إذا كان الظرف الطوقي المناسب للقامة الفرز مركباً بالفعل، فقم بتنفيذ خطوات العمل الواردة في الجزء التالي.

يجب تركيب الظرف الطوقي (15) بنسبة من التفاوت في صامولة الزنق. يجب أن يكون تركيب صامولة الزنق (9) سهلاً. إن كان هناك تلف بصامولة الزنق أو بالظرف الطوقي، يتوجب استبدالهما فوراً. قم بسحب ذراع تثبيت محور الدوران (7) حتى سهم التمييز (6) من العلبة. أدر عند اللزوم محور دوران المحرك يدوياً، حتى يثبت. يوجد ستة أوضاع متاحة بزاوية ميل 60°.

قم بفك صامولة الوصل (9) بإدارتها عكس اتجاه عقارب الساعة باستخدام المفتاح الهلالي (18). عند الضرورة، نظف قبل التركيب جميع القطع المرغوب تركيبها باستخدام فرشاة ناعمة أو من خلال نفخها بالهواء المضغوط.

ضع صامولة الزنق الجديدة على حاضن العدة (16). شد صامولة الزنق دون إحكام.

إدارتها عكس اتجاه عقارب الساعة باستخدام المفتاح الهلالي (7) إلى العلبة.

◀ لا تقم أبداً بإحكام ربط الظرف الطوقي مع صامولة الزنق طالما أن لقامة الفرز غير مركبة. وإلا فقد يتعرض الظرف الطوقي للضرر.

### تركيب لقامة الفرز (انظر الصورة C)

### ◀ ينصح بارتداء قفازات واقية عند تركيب واستبدال لقم الفرز.

تتوفر لقم الفرز بطرازات ونوعيات مختلفة حسب غرض الاستخدام المطلوب.

تعد لقم الفرز المصنوعة من الفولاذ عالي الكفاءة وسريع القطع (HSS) مناسبة للعمل على المواد اللينة مثل الخشب اللين والبلاستيك.

لقم الفرز ذات حواف القطع من المعدن الصلب (HM) تلائم بشكل خاص الغامات الصلبة والماكّة مثل الخشب الصلب والألومنيوم.

يمكنك الحصول على عدد الفرز الأصلية من برنامج بوش للملحقات أو من التاجر المتخصص. ركب لقم الفرز السليمة والتنظيفة فقط.

قم بسحب ذراع تثبيت محور الدوران (7) حتى سهم التمييز (6) من العلبة. أدر عند اللزوم محور دوران المحرك يدوياً، حتى يثبت. يوجد ستة أوضاع متاحة بزاوية ميل 60°.

قم بفك صامولة الوصل (9) بإدارتها عكس اتجاه عقارب الساعة باستخدام المفتاح الهلالي (18).

**ملحوظة:** يتم تسليم مراكم أيونات الليثيوم مشحونة جزئياً وفقاً للوائح النقل الدولية. لضمان قدرة أداء المرمك الكاملة، يتوجب شحن المرمك بشكل كامل قبل الاستعمال لأول مرة.

## تركيب المرمك

أدخل المرمك المشحون في موضع تثبيت المرمك إلى أن يثبت بشكل ملموس.

## نزع المرمك

لخلع المرمك اضغط على أزرار تحرير المرمك وأخرج المرمك. لا تستخدم القوة أثناء ذلك.

## مبين حالة شحن المرمك

تشير مصابيح الداود الثلاثة الخضراء الخاصة بمبين حالة شحن المرمك إلى حالة شحن المرمك. يضيء مبين حالة الشحن لمدة 5 ثوان فقط بعد التشغيل.

السعة	لمبة LED
60-100 %	ضوء مستمر ×3 أخضر
30-60 %	ضوء مستمر ×2 أخضر
5-30 %	ضوء مستمر ×1 أخضر
0-5 %	ضوء وماض ×1 أخضر

## مؤشر مراقبة الحرارة/واقية فرط التحميل

يساعدك مؤشر LED الأحمر على حماية المرمك من فرط السخونة وحماية المحرك من فرط التحميل.

إذا أضاء مؤشر LED باستمرار باللون الأحمر فهذا يعني أن درجة حرارة المرمك مرتفعة للغاية، حيث تتوقف العدة الكهربائية أوتوماتيكياً.

- اطفئ العدة الكهربائية.

- اترك المرمك يبرد قبل أن تتابع العمل.

في حالة وميض مؤشر LED باللون الأحمر فهذا يعني استعصاء العدة الكهربائية، حيث تتوقف العدة الكهربائية أوتوماتيكياً.

اسحب العدة الكهربائية عن قطعة الشغل.

بمجرد إزالة العائق، توصل العدة الكهربائية للعمل.

## ملاحظات للتعامل مع المرمك بطريقة مثالية

قم بحماية المرمك من الرطوبة والماء.

لا تقم بتخزين المرمك إلا في نطاق درجة حرارة يقع بين 20°م وحتى 50°م. لا تترك المرمك في السيارة في فصل الصيف مثلاً.

نظف فتحات التهوية بالمركم من فترة لآخرى، بواسطة فرشاة طرية ونظيفة وجافة.

إذا انخفضت فترة التشغيل بعد الشحن بدرجة كبيرة فهذا يعني أن المرمك قد استهلك وأنه يجب استبداله.

تراجعى الإرشادات عند التخلص من العدد.

## التركيب

◀ أخرج المرمك من العدة الكهربائية قبل إجراء أي أعمال على العدة الكهربائية (على سبيل المثال الصيانة، واستبدال العدد، وما شابه).

في حالة الرغبة في تثبيت عمق التفريز المضبوط بشكل مستمر، يمكنك ضبط لولب التأمين (11) بطارة الضبط (10) الخاصة بالضبط الدقيق لعمق التفريز.

## بدء التشغيل

### التشغيل والإطفاء

لغرض تشغيل الكهربية، قم بتريك مفتاح التشغيل والإطفاء (5) إلى الأمام، إلى أن تظهر ا بالمفتاح. لغرض الإطفاء، قم بتريك مفتاح التشغيل والإطفاء (5) إلى أعلى، إلى أن تظهر 0 في المفتاح.

## إرشادات العمل

◀ قم بحماية لقم الفرز من الدفع والصدمات.

اتجاه الفرز و عملية الفرز (انظر الصور F-G)

◀ يجب أن تتم عملية الفرز دائما عكس اتجاه دوران لقمة الفرز (17) (دوران عكسي). في حالة الفرز في اتجاه الدوران (دوران في نفس الاتجاه) يمكن أن تنزلق العدة الكهربية من يدك.

**ملاحظة:** يراعى دائما خلع لقمة الفرز (17) من صفيحة القاعدة (12). لا تتلف القالب أو قطعة الشغل.

قم بضبط عمق الفرز المرغوب. شغل العدة الكهربية ووجهها نحو المكان المرغوب معالجته.

نفذ عملية الفرز بدفع منتظم نحو الأمام.

أوقف العدة الكهربية بعد إنهاء الفرز.

◀ لا تترك العدة الكهربية أبداً إلا عند توقف لقمة الفرز عن الحركة تماما. الدوران المتتابع لعدد الشغل قد ينتج عنه إصابات.

## فرز الحواف أو الأشكال (انظر الصورة H)

عند فرز الحواف أو الأشكال دون مصد التوازي يجب أن تكون لقمة الفرز مجهزة بمحمل كريات أو بمحمل كريات.

وجه العدة الكهربية بعد تشغيلها نحو قطعة الشغل من الجانب إلى أن يتلامس الود الدليلي أو محمل الكريات الخاص بلقمة الفرز مع حافة قطعة الشغل المرغوب معالجتها.

وجه العدة الكهربية على امتداد مسار حافة قطعة الشغل. انتبه أثناء ذلك على تركيزها بشكل يوافق الزاوية المطلوبة. قد يؤدي الضغط الزائد إلى إتلاف حافة قطعة الشغل.

بالنسبة لتفريز الحواف وتفرير التشكيل تسري الأبعاد القصوى التالية لقطعة الشغل:

القائمة	نصف القطر	المائة
	مم	المشطوبة
		مم
خشب صلب	10	6
الخشب اللين	12	10
البلاستيك	12	10
ألواح MDF	12	10
ألواح المالتيلكس	10	6

أدخل لقمة الفرز في الظرف الطوقي. ويجب أن تكون ساق لقمة الفرز مدخلة بمقدار 20 مم على الأقل في الظرف الطوقي.

أعد إحكام شد صامولة الزنق بإدارتها باتجاه حركة عقارب الساعة.

إدارتها عكس اتجاه عقارب الساعة باستخدام المفتاح الهلالي (7) إلى العلية.

◀ لا تقم أبدا بإحكام ربط الظرف الطوقي مع صامولة الزنق طالما أن لقمة الفرز غير مركبة. وإلا فقد يتعرض الظرف الطوقي للضرر.

## شُفط الغبار/النشارة

إن أغبرة بعض المواد كالطلاء الذي يحتوي على الرصاص، وبعض أنواع الخشب والفلزات والمعادن، قد تكون مضرّة بالصحة. إن ملامسة أو استنشاق الأغبرة قد يؤدي إلى ردود فعل زائدة المساسية و/أو إلى أمراض المجاري التنفسية لدى المستخدم أو لدى الأشخاص المتواجدين على مقربة من المكان. تعتبر بعض الأغبرة المعينة، كأغبرة البلوط والزان من مسببات السرطان، وبالأخص عند اتصالها بالمواد الإضافية الخاصة بمعالجة الخشب (ملح حامض الكروميك، المواد الحافظة للخشب). يجوز أن يتم معالجة المواد التي تحتوي على الأسيستوس من قبل العمال المتخصصين فقط دون غيرهم.

– حافظ على تهوية مكان الشغل بشكل جيد.

– ينصح بارتداء قناع وقاية للتنفس من فئة المرشح P2.

تراعى الأحكام السارية في بلدكم بالنسبة للمواد المرغوب معالجتها.

◀ تجنب تراكم الغبار بمكان العمل. يجوز أن تشتعل الأغبرة بسهولة.

## التشغيل

### ضبط عمق التفريز (انظر الصور D-E)

◀ يمكن ضبط عمق الفرز فقط عند إيقاف العدة الكهربية.

ضع العدة الكهربية مع لقمة الفرز التي تم تركيبها على قطعة الشغل المرغوب معالجتها.

أدر طارة القفل (14) بمقدار نصف دورة عكس اتجاه عقارب الساعة لتحرير قفل وسيلة ضبط عمق التفريز.

اضغط على الزر (8) للضبط التقريبي لعمق التفريز واحتفظ به مضغوطا. حرك وحدة الإدارة إلى أعلى أو أسفل و قم بضبط عمق التفريز بشكل تقريبي. اترك الزر (8).

قم بضبط عمق التفريز بدقة باستخدام طارة الضبط (10). كل دورة كاملة لطاره الضبط تعادل تغيير عمق التفريز بمقدار 1 مم.

قم بقفل وسيلة ضبط عمق التفريز بإدارة طارة القفل (14) بمقدار نصف لفة في اتجاه عقارب الساعة.

افحص عمق الفرز المضبوط من خلال التجربة العملية وصححه إذا لزم الأمر.

لا تُلَقِّع العددة الكهربائية والمراكم/  
البطاريات ضمن النفايات المنزلية!



**المراكم/البطاريات:  
مراكم أيونات الليثيوم:**

يرجى مراعاة الإرشادات الواردة في جزء النقل (انظر  
„النقل“، الصفحة 55).

## الصيانة والخدمة

### الصيانة والتنظيف

- ◀ أخرج المرمك من العددة الكهربائية قبل إجراء أي أعمال على العددة الكهربائية (على سبيل المثال الصيانة، واستبدال العددة، وما شابه). هناك خطر إصابة بجروح في حالة الضغط على مفتاح التشغيل والإطفاء بشكل غير مقصود.
- ◀ حافظ على نظافة العددة الكهربائية وشقوق التهوية لكي تعمل بشكل جيد وآمن.

قم بتنظيف العددة الكهربائية بعد الاستخدام باستخدام شفاطة أو فرشاة أو مكنسة يدوية. تأكد أن الأعمدة الدليلية خالية من نشارة الخشب. قم بتزليق العمود الدليلي الأملس (19) باستخدام قطرات من مادة التزليق (انظر الصورة أ).

### خدمة العملاء واستشارات الاستخدام

يجيب مركز خدمة الزبائن على أسئلتكم بصدد تصليح وصيانة المنتج وأيضاً بما يخص قطع الغيار. ستجد الرسوم الممددة والمعلومات عن قطع الغيار بموقع: [www.bosch-pt.com](http://www.bosch-pt.com) يسر فريق استشارات الاستخدام لدى شركة بوش أن يقدم لك العون إذا كان لديك أية استفسارات بخصوص منتجاتنا وملحقاتها التكميلية. يلزم ذكر رقم الصنف ذو الخانات العشر وفقاً للوحة صنع المنتج عند إرسال أية استفسارات أو طلبيات قطع غيار.

### المغرب

Robert Bosch Morocco SARL  
53، شارع الملازم محمد مرود  
20300 الدار البيضاء  
الهاتف: +212 5 29 31 43 27  
البريد الإلكتروني: [sav.outillage@ma.bosch.com](mailto:sav.outillage@ma.bosch.com)

**تجد عناوين أخرى للخدمات تحت:**

[www.bosch-pt.com/serviceaddresses](http://www.bosch-pt.com/serviceaddresses)

### النقل

تخضع مراكم أيونات الليثيوم المنصوح بها لأحكام قانون المواد الخطرة. يمكن للمستخدم أن ينقلها على الشوارع العامة دون أي شروط إضافية. عند النقل بواسطة أطراف ثالثة (مثلاً: الشحن الجوي أو شركة شحن)، يتوجب التقيد بشروط خاصة بصدد التغليف والتعليم. ينبغي استشارة خبير بنقل المواد الخطيرة عند تحضير الطرد في هذه الحالة. استخدم المراكم فقط إن كان هيكلا سليماً. الصق الملامسات المكشوفة وغلف المرمك بحيث لا يتحرك في الطرد. يرجى مراعاة الأحكام الوطنية الإضافية إن وجدت.

### التخلص من العددة الكهربائية

يجب التخلص من العددة الكهربائية والمركم والتوابع والتغليف بطريقة صديقة للبيئة عن طريق النفايات القابلة لإعادة التصنيع.



مناسب برای محیط باز، خطر برق گرفتگی را کم می کنند.

◀ در صورت لزوم کار با ابزار برقی در محیط و اماکن مرطوب، باید از یک کلید حفاظتی جریان خطا و نشستی زمین (کلید قطع کننده اتصال با زمین) استفاده کنید. استفاده از کلید حفاظتی جریان خطا و نشستی زمین خطر برق گرفتگی را کاهش می دهد.

#### رعایت ایمنی اشخاص

◀ حواس خود را خوب جمع کنید، به کار خود دقت کنید و با فکر و هوشیاری کامل با ابزار برقی کار کنید. در صورت خستگی و یا در صورتی که مواد مخدر، الکل و دارو استفاده کرده‌اید، با ابزار برقی کار نکنید. یک لحظه بی توجهی هنگام کار با ابزار برقی، میتواند جراحات های شدیدی به همراه داشته باشد.

◀ از تجهیزات ایمنی شخصی استفاده کنید. همواره از عینک ایمنی استفاده نمایید.

استفاده از تجهیزات ایمنی مانند ماسک ضد گرد و غبار، کفشهای ایمنی ضد لغزش، کلاه ایمنی و گوشی محافظ متناسب با نوع کار با ابزار برقی، خطر مجروح شدن را کاهش میدهد.

◀ مواظب باشید که ابزار برقی بطور ناخواسته بکار نیفتد. قبل از وارد کردن دوشاخه دستگاه در پریز برق، اتصال آن به باتری، برداشتن آن و یا حمل دستگاه، باید دقت کنید که ابزار برقی خاموش باشد. در صورتی که هنگام حمل دستگاه انگشت شما روی دکمه قطع و وصل باشد و یا دستگاه را در حالت روشن به برق بزنید، ممکن است سوانح کاری پیش آید.

◀ قبل از روشن کردن ابزار برقی، همه ابزارهای تنظیم کننده و آپارها را از روی دستگاه بردارید. ابزار و آپارهایی که روی بخش های چرخنده دستگاه قرار دارند، میتوانند باعث ایجاد جراحات شوند.

◀ وضعیت بدن شما باید در حالت عادی قرار داشته باشد. برای کار جای مطمئنی برای خود انتخاب کرده و تعادل خود را همواره حفظ کنید. به این ترتیب میتوانید ابزار برقی را در وضعیتهای غیر منتظره بهتر تحت کنترل داشته باشید.

◀ لباس مناسب بپوشید. از پوشیدن لباسهای گشاد و حمل زینت آلات خودداری کنید. موها و لباس خود را از بخشهای در حال چرخش دستگاه دور نگه دارید. لباسهای گشاد، موی بلند و زینت آلات ممکن است در قسمتهای در حال چرخش دستگاه گیر کنند.

◀ در صورتی که تجهیزاتی برای اتصال وسائل مکش گرد و غبار و یا وسیله جمع کننده گرد و غبار ارائه شده است، باید مطمئن شوید که این وسائل درست نصب و استفاده می شوند. استفاده از وسائل مکش گرد و غبار مصونیت شما را در برابر گرد و غبار زیادتیر میکند.

◀ آشنایی با ابزار به دلیل کار کردن زیاد با آن نباید باعث سهل انگاری شما و نادیده گرفتن اصول ایمنی شود. بی دقتی ممکن است باعث بروز جراحاتی در عرض کسری از ثانیه شود.

## فارسی

### دستورات ایمنی

#### نکات ایمنی عمومی برای ابزارهای برقی

##### ⚠ هشدار

کلیه هشدارها،

دستورالعملها، تصاویر و

مشخصات ارائه شده به همراه ابزار برقی را

مطالعه کنید. اشتباهات ناشی از عدم رعایت این دستورات ایمنی ممکن است باعث برق گرفتگی، سوختگی و یا سایر جراحات های شدید شود.

کلیه هشدارهای ایمنی و راهنماییها را برای آینده خوب نگهداری کنید.

عبارت «ابزار برقی» در هشدارها به ابزارهایی که به پریز برق متصل میشوند (با سیم برق) و یا ابزارهای برقی باتری دار (بدون سیم برق) اشاره دارد.

#### ایمنی محل کار

◀ محیط کار را تمیز و روشن نگه دارید. محیطهای در هم ریخته یا تاریک احتمال بروز حادثه را افزایش میدهند.

◀ ابزار برقی را در محیطهایی که خطر انفجار وجود دارد و حاوی مایعات، گازها و بخارهای متحرکه هستند، به کار نگیرید. ابزارهای برقی چرخههایی ایجاد میکنند که میتوانند باعث آتش گرفتن گرد و غبارهای موجود در هوا شوند.

◀ هنگام کار با ابزار برقی، کودکان و سایر افراد را از دستگاه دور نگه دارید. در صورتیکه حواس شما پرت شود، ممکن است کنترل دستگاه از دست شما خارج شود.

#### ایمنی الکتریکی

◀ دوشاخه ابزار برقی باید با پریز برق تناسب داشته باشد. هیچگونه تغییری در دوشاخه ایجاد نکنید. مبدل دوشاخه نباید همراه با ابزار برقی دارای اتصال زمین استفاده شود. دوشاخههای اصل و تغییر داده نشده و پریزهای مناسب، خطر برق گرفتگی را کاهش میدهند.

◀ از تماس بدنی با قطعات متصل به سیم اتصال زمین مانند لوله، شوفاژ، اجاق برقی و یخچال خودداری کنید. در صورت تماس بدنی با سطوح و قطعات دارای اتصال به زمین و همچنین تماس شما با زمین، خطر برق گرفتگی افزایش می یابد.

◀ ابزارهای برقی را در معرض باران و رطوبت قرار ندهید. نفوذ آب به ابزار برقی، خطر شوک الکتریکی را افزایش میدهد.

◀ از سیم دستگاه برای مقاصد دیگر استفاده نکنید. هرگز برای حمل ابزار برقی، کشیدن آن یا خارج کردن دوشاخه از سیم دستگاه استفاده نکنید. کابل دستگاه را از حرارت، روغن، لیبهای تیز یا قطعات متحرک دور نگه دارید. کابلهای آسیب دیده و یا گره خورده خطر شوک الکتریکی را افزایش میدهند.

◀ هنگام استفاده از ابزار برقی در محیطهای باز، تنها از کابل رابطی استفاده کنید که برای محیط باز نیز مناسب باشد. کابل های رابط



- شوند. ایجاد اتصالی بین دو قطب باتری (ترمینالهای باتری) میتواند باعث سوختگی و ایجاد حریق شود.
- استفاده بی رویه از باتری میتواند باعث خروج مایعات از آن شود؛ از هر گونه تماس با این مایعات خودداری کنید. در صورت تماس اتفاقی با آن، دست خود و یا محل تماس را با آب بشوئید. در صورت آلوده شدن چشم با این مایع، باید به پزشک مراجعه کنید. مایع خارج شده از باتری میتواند باعث التهاب پوست و سوختگی شود.
- هرگز از باتری یا ابزار آسیب دیده یا دست کاری شده استفاده نکنید. باتریهای آسیب دیده ممکن است کارکرد غیر منتظرهای داشته باشند و منجر به آتش سوزی، انفجار یا جراحت شوند.
- باتری یا ابزار را در معرض آتش یا دمای زیاد قرار ندهید. قرار گرفتن در معرض آتش یا دمای بالاتر از 130 درجه سانتیگراد میتواند باعث انفجار شود.
- همه راهنمایهای مربوط به شارژ را رعایت کنید و باتری یا ابزار را خارج از محدوده دمای تعریف شده در دستورات شارژ نکنید. شارژ کردن نادرست یا در دمای خارج از محدوده تعریف شده ممکن است به باتری صدمه بزند و خطر آتش سوزی را افزایش دهد.
- سرویس**
- برای تعمیر ابزار برقی فقط به متخصصین حرفهای رجوع کنید و از قطعات یدکی اصل استفاده نمایید. این باعث خواهد شد که ایمنی دستگاه شما تضمین گردد.
- هرگز باتریهای آسیب دیده را تعمیر نکنید. باتری باید تنها توسط متخصصین مجاز شرکت تعمیر شوند.
- راهنمایهای ایمنی برای فرز گوشه‌زن**
- جهت ایمن و تثبیت کردن قطعه کار از گیره یا سایر راههای تثبیت قطعه کار استفاده کنید. نگهداشتن قطعه کار با دست یا تکیه دادن آن به بدن باعث بی ثباتی آن و از دست دادن کنترل روی آن می‌گردد.
- سرعت مجاز فرزکاری باید حداقل معادل یا حداکثر سرعت تعیین شده روی ابزار برقی باشد. فرزی که بیش از حد مجاز بچرخد، ممکن است بشکند و به اطراف پرتاب شود.
- تبخه فرز یا سایر متعلقات بایستی دقیقاً در ابزارگیر (کولت) ابزار برقی شما جای گیرند. ابزار و متعلقاتی که کاملاً منطبق با ابزارگیر دستگاه نباشند، چرخش نامنظم و نوسان‌های شدیدی داشته و می‌توانند منجر به از دست دادن کنترل بشوند.
- ابزار برقی را تنها در حال روشن بودن به طرف قطعه کار برانید. در غیر اینصورت ممکن است ابزار روی دستگاه در قطعه کار گیر کرده و باعث ضربه زدن (پس زدن) دستگاه شود.

- استفاده صحیح از ابزار برقی و مراقبت از آن
- از وارد کردن فشار زیاد روی دستگاه خودداری کنید. برای هر کاری، از ابزار برقی مناسب با آن استفاده کنید. بکار گرفتن ابزار برقی مناسب باعث میشود که بتوانید از توان دستگاه بهتر و با اطمینان بیشتر استفاده کنید.
- در صورت ایراد در کلید قطع و وصل ابزار برقی، از دستگاه استفاده نکنید. ابزار برقی که نمی‌توان آنها را قطع و وصل کرد، خطرناک بوده و باید تعمیر شوند.
- قبل از تنظیم ابزار برقی، تعویض متعلقات و یا کنار گذاشتن آن، دوشاخه را از برق بکشید و یا باتری آنرا خارج کنید. رعایت این اقدامات پیشگیری ایمنی از راه افتادن ناخواسته ابزار برقی جلوگیری می‌کند.
- ابزار برقی را در صورت عدم استفاده، از دسترس کودکان دور نگه دارید و اجازه ندهید که افراد ناوارد و یا اشخاصی که این دفترچه راهنما را نخوانده‌اند، با این دستگاه کار کنند. قرار گرفتن ابزار برقی در دست افراد ناوارد و بی تجربه خطرناک است.
- از ابزار برقی و متعلقات خوب مراقبت کنید. مواظب باشید که قسمت‌های متحرک دستگاه خوب کار کرده و گیر نکنند. همچنین دقت کنید که قطعات ابزار برقی شکسته و یا آسیب دیده نباشند. قطعات آسیب دیده را قبل از شروع به کار تعمیر کنید. علت بسیاری از سوانح کاری، عدم مراقبت کامل از ابزارهای برقی می‌باشد.
- ابزار برش را تیز و تمیز نگه دارید. ابزار برشی که خوب مراقبت شده و از لبه‌های تیز برخوردار است، کمتر در قطعه کار گیر کرده و بهتر قابل هدایت است.
- ابزار برقی، متعلقات، متهای دستگاه و غیره را مطابق دستورات این جزوه راهنما به کار گیرید و به شرایط کاری و نوع کار نیز توجه داشته باشید. استفاده از ابزار برقی برای عملیاتی به جز مقاصد در نظر گرفته شده، میتواند به بروز شرایط خطرناک منجر شود.
- دستها و سطوح عایق را همواره خشک، تمیز و عاری از روغن و گریس نگه دارید. دسته‌های لغزنده مانع ایمنی و کنترل در کار در شرایط غیر منتظره هستند.
- مراقبت و طرز استفاده از ابزارهای شارژی**
- باتریها را منحصراً توسط شارژرهایی که توسط سازنده توصیه شده‌اند، شارژ کنید. در صورتی که برای شارژ باتری، آنرا در شارژری قرار دهید که برای آن باتری ساخته نشده است، خطر آتش سوزی وجود دارد.
- در ابزارهای برقی فقط از باتریهایی استفاده کنید که برای آن نوع ابزار برقی در نظر گرفته شده‌اند. استفاده از باتریهای مترقیه میتواند منجر به بروز جراحت و حریق گردد.
- در صورت عدم استفاده از باتری باید آنرا از گیره‌های فلزی، سکه، کلید، میخ، پیچ و دیگر وسائل کوچک فلزی دور نگه دارید، زیرا این وسائل ممکن است باعث ایجاد اتصالی

### موارد استفاده از دستگاه

ابزار برقی جهت قرار گرفتن در سطح ثابت چوب، پلاستیک و لبه های مواد ساختمانی نرم و پروفیل جهت فرزکاری در نظر گرفته شده است.

### اجزاء دستگاه

شماره گذاری تصاویر اجزاء دستگاه بر اساس شکل ابزار برقی در صفحه تصاویر است.

- (1) باتری قابل شارژ<sup>(a)</sup>
  - (2) دکمه آزاد سازی قفل باتری قابل شارژ<sup>(a)</sup>
  - (3) نشانگر نظارت بر دما/محافظ بار اضافی
  - (4) نشانگر وضعیت شارژ باتری
  - (5) کلید روشن/خاموش
  - (6) فلش علامت گذاری برای قفل محور
  - (7) اهرم قفل کننده محور
  - (8) دکمه تنظیم عمق تقریبی فرزکاری
  - (9) مهره کولت با کولت
  - (10) چرخک تنظیم دقیق عمق فرزکاری
  - (11) پیچ ایمنی تغییر تنظیم عمق فرزکاری
  - (12) صفحه پایه
  - (13) دسته
  - (14) چرخک قفل تغییر تنظیم عمق فرزکاری
  - (15) کولت
  - (16) ابزارگیر
  - (17) فرزکاری<sup>(a)</sup>
  - (18) آچار تخت (17 میلیمتر)
  - (19) ستون هدایت کننده صیقلی
- (a) این قسمت از متعلقات، بطور معمول همراه دستگاه ارائه نمی شود.

### مشخصات فنی

فرز لبه گیر		GKF 12V-8	
شماره فنی	3 601 FB0 0..		
ولتاژ نامی	V=	12	
سرعت در حالت آزاد <sup>(A)</sup>	min <sup>-1</sup>	13000	
کولت های سازگار	mm	6/8	
	inch	¼	
ارتفاع قسمت بالای فرز	mm	36	
وزن <sup>(B)</sup>	kg	1,3-1,5	
دمای توصیه شده محیط هنگام شارژ	°C	0 ... +35	
دمای مجاز محیط هنگام کار <sup>(C)</sup> و هنگام انبار کردن	°C	-20 ... +50	
باتری های قابل شارژ توصیه شده		GBA 12V...	

◀ روی سطح اشیاء فلزی، میخها یا پیچها را فرز نکنید. امکان آسیب دیدن تیغه فرز و در نتیجه ارتعاش و نوسان شدید دستگاه وجود دارد.

◀ برای پیدا کردن لوله ها و سیم های پنهان موجود در ساختمان و محدوده کار، از یک دستگاه ردیاب مخصوص برای یافتن لوله ها و سیمهای تأسیسات استفاده کنید و یا با شرکت های کارهای تأسیسات ساختمان و خدمات مربوطه تماس بگیرید. تماس با کابل و سیمهای برق ممکن است باعث آتشسوزی و یا برق گرفتگی شود. ایراد و آسیب دیدگی لوله گاز میتواند باعث انفجار شود. سوراخ شدن لوله آب باعث ایجاد خسارت میشود.

◀ از فرز کردن با فرز آسیبدیده یا کُند خودداری کنید. تیغه فرز کند و یا آسیب دیده باعث اصطکاک شدید می شود، ممکن است گیر کند و منجر به از دست دادن تعادل بشود.

◀ قبل از کنار گذاشتن ابزار برقی صبر کنید تا دستگاه بطور کامل از کار و حرکت بایستد. ابزار ممکن است به قطعه کار گیر کرده و کنترل ابزار برقی از دست شما خارج شود.

◀ در صورتیکه باتری آسیب دیده باشد و یا از آن بطور بی رویه استفاده شود، ممکن است از باتری بخارهایی بلند شود. باتری ممکن است آتش بگیرد یا منفجر شود. در این حالت هوای محیط را تازه کنید؛ اگر احساس ناراحتی کردید، به پزشک مراجعه نمایید. استنشاق این بخارها ممکن است به مجاری تنفسی شما آسیب برساند.

◀ باتری را باز نکنید. خطر اتصال کوتاه وجود دارد.

◀ بوسیله ی اشیاء تیز مانند میخ یا پیچگوشتی یا تأثیر نیروی خارجی ممکن است باتری آسیب ببیند. ممکن است اتصالی داخلی رخ دهد و باتری آتش گیرد، دود کند، منفجر شود یا بیش از حد داغ گردد.

◀ از باتری قابل شارژ فقط در محصولات سازنده استفاده کنید. فقط در این صورت از باتری در برابر بار اضافی خطرناک محافظت می شود.

باتری را در برابر حرارت، از جمله در برابر تابش مداوم خورشید و همچنین در برابر آتش، آلودگی، آب و رطوبت محفوظ بدارید. خطر اتصالی و انفجار وجود دارد.



### توضیحات محصول و کارکرد

همه دستورات ایمنی و راهنماییها را بخوانید. اشتباهات ناشی از عدم رعایت این دستورات ایمنی ممکن است باعث برقررفتنگی، سوختگی و یا سایر جراحات های شدید شود.



به تصویرهای واقع در بخشهای اول دفترچه راهنما توجه کنید.

- قبل از ادامه کار، اجازه دهید باتری خنک شود. در صورت چشمک زدن نشانگر LED به رنگ قرمز، ابزار برقی قفل شده و به طور خودکار خاموش می شود.

ابزار برقی را از قطعه کار بیرون بکشید. به محض رفع مانع، ابزار برقی دوباره شروع به کار می کند.

## توضیحات و تذکراتی برای نحوه بهینه کار با باتری

باتری را در برابر رطوبت و آب حفظ کنید. باتری را منحصراً در دمای بین -20 تا 50 درجه نگهداری کنید. بطور مثال باتری را در تابستان داخل اتومبیل نگذارید. گاهبگاه شیارهای تهویه باتری را بوسیله یک قلم موی یا برس کوچک نرم و خشک تمیز کنید. افت قابل توجه مدت زمان کارکرد باتری که تازه شارژ شده است، نمایانگر آن است که باتری فرسوده و مستعمل شده و باید تعویض شود. به نکات مربوط به نحوه از رده خارج کردن باتری توجه کنید.

## نصب

◀ قبل از انجام هر گونه کاری با ابزار برقی (از جمله سرویس و نگهداری، تعویض ابزار و غیره)، باتری قابل شارژ را از داخل ابزار برقی خارج کنید. در صورت فشردن شدن اتفاقی کلید روشن/خاموش، خطر آسیب دیدگی وجود دارد.

## تعویض ابزار

◀ توصیه می شود برای نصب و جاگذاری تیغه فرز و همچنین برای تعویض آن، از دستکش ایمنی استفاده کنید.

تیغه های فرز اصل از برنامه جامع Bosch متعلقات بوش را می توانید از فروشگاه های تخصصی تهیه کنید.

## تعویض کولت (رجوع کنید به تصاویر A-B)

برحسب تیغه فرز استفاده شده باید قبل از قرار دادن تیغه فرز، مهره کولت را با کولت (9) تعویض کنید.

چنانچه کولت مناسب برای فرز قبلاً نصب شده باشد، از مراحل عملیاتی در بخش بعدی پیروی کنید. کولت (15) باید با کمی بازی در مهره کولت جای گیرد. مهره کولت (9) باید به سادگی نصب شود. چنانچه مهره کولت یا کولت، آسیب دیده باشد، آن را فوراً عوض کنید.

اهرم قفل محور (7) را تا فلش علامت گذاری (6) روی بدنه بیرون بکشید. در صورت نیاز، محور موتور را با دست بچرخانید تا قفل شود. شش موقعیت جایگزین به مقدار 60 درجه امکان پذیر می باشد. مهره کولت (9) را در خلاف جهت چرخش عقربه های ساعت با آچار تخت (18) باز کنید.

در صورت لزوم همه قطعاتی که باید نصب شوند را پیش از مونتاژ، بوسیله یک برس نرم یا قلم موی نرم و یا تحت فشار باد، غبار زدائی کنید.

## فرز لبه گیر

شارژرهای توصیه شده  
GAL 12...  
GAX 18...

(A) اندازه گیری شده در دمای 25-20 °C با باتری قابل شارژ **GBA 12V 3.0Ah**.

(B) بسته به نوع باتری کاربردی

(C) توان محدود برای دمای 0 °C <

مقادیر ممکن است بسته به محصول متفاوت باشند و بستگی به شرایط استفاده و محیطی دارند. اطلاعات بیشتر را در سایت [www.bosch-professional.com/wac](http://www.bosch-professional.com/wac) مشاهده نمایید.

## باتری قابل شارژ

**Bosch** ابزارهای برقی شارژی را هم بدون باتری قابل شارژ می فروشد. در بسته بندی می توانید دریابید که آیا باتری قابل شارژ در محتویات ارسالی ابزار برقی شما وجود دارد یا خیر.

## شارژ کردن باتری قابل شارژ

◀ تنها شارژرهای ذکر شده در مشخصات فنی را بکار برید. تنها این دستگاه های شارژ با باتری های لیتیوم-یونی (Li-Ion) ابزار برقی شما منطبق میباشند.

**نکته:** باتری های قابل شارژ لیتیوم یونی به دلیل قوانین حمل و نقل بین المللی به صورت نیمه شارژ تحویل داده می شوند. برای دست یافتن به توان کامل باتری قابل شارژ، قبل از به کارگیری آن برای اولین بار، باتری را به طور کامل شارژ کنید.

## نحوه قرار دادن باتری قابل شارژ

باتری شارژ شده را به داخل محفظه باتری قابل شارژ برانید تا جا بیفتد.

## نحوه برداشتن باتری قابل شارژ

برای برداشتن باتری قابل شارژ، دکمه های آزادسازی باتری را فشار دهید و آن را خارج کنید. هنگام انجام این کار از اعمال فشار خودداری کنید.

## نشانگر وضعیت شارژ باتری

3 چراغ سبز LED نشانگر وضعیت شارژ باتری، وضعیت شارژ باتری را نشان می دهند. نشانگر وضعیت شارژ باتری تنها 5 s پس از راه اندازی روشن می شود.

ظرفیت	LED
3 عدد چراغ سبز ممتد	60-100 %
2 عدد چراغ سبز ممتد	30-60 %
1 عدد چراغ سبز ممتد	5-30 %
1 عدد چراغ سبز چشمک زن	0-5 %

## نشانگر نظارت بر دما/محافظة اضافه بار

نشانگر LED قرمز رنگ به شما کمک می کند تا از بیش از حد داغ شدن باتری و زیر فشار زیاد قرار گرفتن موتور جلوگیری کنید.

چنانچه نشانگر LED بطور ممتد به رنگ قرمز روشن شود، دمای باتری قابل شارژ بسیار بالا است و ابزار برقی به طور خودکار خاموش می شود.

- ابزار برقی را خاموش کنید.

◀ از تجمع گرد و غبار در محل کار جلوگیری کنید. گرد و غبار می تواند به آسانی مشتعل شوند.

## عملکرد

### تنظیم عمق فرزکاری (رجوع کنید به تصاویر D-E)

◀ تنظیم عمق فرز با بایستی فقط در حالت خاموش بودن دستگاه انجام شود.

ابزار برقی با تیغه فرز نصب شده را روی قطعه کار قرار دهید.

چرخک قفل (14) را حدود نیم دور خلاف جهت چرخش عقربه های ساعت بچرخانید تا قفل تغییر تنظیم عمق فرزکاری را باز کنید.

دکمه (8) تنظیم تقریبی عمق فرزکاری را فشار دهید و آن را فشرده نگه دارید. واحد موتور را به بالا یا پایین برانید و عمق دلخواه فرزکاری را به طور تقریبی تنظیم کنید. دکمه (8) را دوباره رها کنید. توسط چرخک تنظیم (10) عمق دقیق فرزکاری را تنظیم کنید. تغییر چرخش چرخک تنظیم، عمق فرزکاری را به مقدار 1 میلیمتر تغییر می دهد.

تغییر تنظیم عمق فرزکاری را قفل کنید به این صورت که چرخک قفل (14) را حدود نیم دور در جهت چرخش عقربه های ساعت بچرخانید. تنظیم انجام شده عمق فرز را توسط آزمایش عملی کنترل و در صورت لزوم آنرا اصلاح کنید.

چنانچه می خواهید عمق فرزکاری را برای مدت طولانی ثابت نگه دارید، می توانید پیچ ایمنی (11) را در چرخک تنظیم (10) تنظیم دقیق عمق فرز بپیچانید.

## راه اندازی

### روشن/خاموش کردن

برای روشن کردن ابزار برقی، کلید روشن/خاموش (5) را به سمت پایین هدایت کنید، طوری که علامت 1 روی کلید مشاهده شود.

برای خاموش کردن ابزار برقی، کلید روشن/خاموش (5) را به سمت بالا هدایت کنید، طوری که علامت 0 روی کلید مشاهده شود.

## نکات عملی

◀ تیغه فرز را در برابر ضربه و فشار محافظت کنید.

### جهت و نحوه فرزکاری

(رجوع کنید به تصاویر F-G)

◀ فرآیند فرزکاری باید همواره خلاف جهت گردش فرز (17) انجام پذیرد (جهت مخالف). در صورت فرزکاری در جهت گردش فرز (جهت موافق) ممکن است ابزار برقی از دست شما رها شود.

**نکته:** دقت کنید که فرز (17) همیشه از صفحه پایه (12) بیرون بزند. به قطعه کار یا شابلون آسیب نزنید.

عمق فرز دلخواه را تنظیم کنید.

مهروه کولت جدید را روی ابزارگیر (16) قرار دهید. مهروه کولت را کمی بپیچانید بطوری که هنوز سفت نشده باشد.

اهرم قفل محور (7) را به درون بدنه برگردانید.

◀ کولت همراه با مهروه کلاهی به هیچ عنوان بدون نصب بودن فرز، سفت نکنید. مهروه کلاهی (کولت) ممکن است آسیب ببیند.

قرار دادن تیغه فرز (رجوع کنید به تصویر C)

◀ توصیه می شود برای نصب و جاگذاری تیغه فرز و همچنین برای تعویض آن، از دستکش ایمنی استفاده کنید.

برحسب موارد بکارگیری، تیغه های فرز در مدل ها و کیفیت های مختلف قابل دریافت هستند.

**تیغه فرزهای دارای فولاد تراش سریع توان بالا (HSS)** جهت کار کردن روی مواد نرم مانند چوب نرم و پلاستیک مناسب هستند.

**تیغه فرزهای دارای برش فلز سخت و زبر (HM)** بخصوص برای مواد سخت و آلومینیوم مانند چوب سخت و آلومینیوم مناسب می باشند.

تیغه های فرز اصل از برنامه جامع متعلقات بوش را می توانید از فروشگاههای تخصصی خریداری کنید. فقط از تیغه های فرز سالم و تمیز استفاده کنید.

اهرم قفل محور (7) را تا فلش علامت گذاری (6) روی بدنه بیرون بکشید. در صورت نیاز، محور موتور را با دست بچرخانید تا قفل شود. شش موقعیت جایگزین به مقدار 60 درجه امکان پذیر می باشد.

مهروه کولت (9) را در خلاف جهت چرخش عقربه های ساعت با آچار تخت (18) باز کنید.

تیغه فرز را به طرف کولت برانید. شفت فرز باید حداقل 20 میلیمتر در کولت رانده شود.

مهروه کولت را در جهت حرکت عقربه های ساعت مجدداً محکم کنید.

اهرم قفل محور (7) را به درون بدنه برگردانید.

◀ کولت همراه با مهروه کلاهی به هیچ عنوان بدون نصب بودن فرز، سفت نکنید. مهروه کلاهی (کولت) ممکن است آسیب ببیند.

## مکش گرد، براده و تراشه

گرد و غبار موادی مانند رنگ های دارای سرب، بعضی از چوب ها، مواد معدنی و فلزات میتوانند برای سلامتی مضر باشند. دست زدن و یا تنفس کردن گرد و غبار ممکن است باعث بروز آلرژی و یا بیماری مجاری تنفسی شخص استفاده کننده و یا افرادی که در آن نزدیکی میباشند، بشود.

گرد و غبارهای مخصوصی مانند گرد و غبار درخت بلوط و یا درخت راش سرطان زا هستند، بخصوص ترکیب آنها با سایر موادی که برای کار بر روی چوب (کرومات، مواد برای محافظت از چوب) بکار برده میشوند. فقط افراد متخصص مجازند با موادی که دارای آریست میباشند کار کنند.

- توجه داشته باشید که محل کار شما از تهویه هوای کافی برخوردار باشد.

- توصیه میشود از ماسک تنفسی ایمنی با درجه فیلتر P2 استفاده کنید.

به قوانین و مقررات معتبر در کشور خود در رابطه با استفاده از مواد و قطعات کاری توجه کنید.

تیم مشاوره Bosch شما را در مورد سؤالهایتان نسبت به محصولات و متعلقات ما حمایت می کند. برای هرگونه سؤال و یا سفارش ابزار بدکی و متعلقات، حتماً شماره فنی ده رقمی کالا را مطابق برچسب روی ابزار برقی اطلاع دهید.

#### ایران

روبرت بوش ایران - شرکت بوش تجارت پارس  
میدان ونک، خیابان شهید خدای، خیابان آفتاب  
ساختمان مادیران، شماره 3، طبقه سوم.  
تهران 1994834571  
تلفن: 42039000 9821 +

سایر اطلاعات مربوط به خدمات را اینجا می یابید:

[www.bosch-pt.com/serviceaddresses](http://www.bosch-pt.com/serviceaddresses)

#### حمل و نقل

باتریهای لیتیوم-یونی توصیه شده تابع مقررات حمل کالاهای پرخطر می باشند. کاربر می تواند باتریها را بدون استفاده از روکش در خیابان حمل کند.

در صورت ارسال از طرف شرکت ثالث (مثلاً: حمل و نقل هوایی یا زمینی) باید تمهیدات مربوط به بسته بندی و علامتگذاری مورد توجه قرار گیرد. در اینصورت باید حتماً جهت آماده سازی قطعه ارسالی به کارشناس حمل کالاهای پرخطر مراجعه کرد.

باتریهای شارژی را فقط در صورتی ارسال کنید که بدنه آنها آسیب ندیده باشد. کنتاکتهای باز را بپوشانید و باتری را طوری بسته بندی کنید که در بسته بندی تکان نخورد. در این باره لطفاً به مقررات و آیین نامه های ملی توجه کنید.

#### از رده خارج کردن دستگاه

ابزارهای برقی، باتری ها، متعلقات و بسته بندی ها، باید طبق مقررات حفظ محیط زیست از رده خارج و بازیافت شوند.

ابزار برقی و باتری ها/ باتری های قابل شارژ را داخل زباله دان خانگی نیندازید!



#### باتریهای شارژی/قلمی:

##### لیتیوم-یونی:

لطفاً به تذکرات بخش (رجوع کنید به «حمل دستگاه»، صفحه 61) توجه کنید.

ابزار برقی را روشن کنید و به قسمت مورد نظر نزدیک نمایید.

عمل فرز کاری را با حرکت یکنواخت انجام دهید. پس از انجام فرز کاری، ابزار برقی را خاموش کنید. **ابزار برقی را قبل از متوقف شدن کامل فرز، کنار نگذارید.** ابزار و متعلقات در حال حرکت ممکن است باعث آسیب دیدگی بشوند.

#### فرزکاری لبهها و طبق فرم (رجوع کنید به تصویر H)

برای لبه دادن و یا فرز کردن طبق فرم بدون خط کش راهنمای موازی، باید تیغه فرز به یک راهنما و یا بلبرینگ مجهز باشد.

ابزار برقی را در حالیکه روشن است، از پهلو (سطح جانبی) به قطعه کار نزدیک کنید تا راهنما و یا بلبرینگ تیغه فرز روی لبه قطعه کار قرار بگیرد.

ابزار برقی را در امتداد لبه قطعه کار حرکت دهید. همزمان به زاویه قرار گرفتن آن بر روی قطعه کار توجه داشته باشید. فشار بیش از حد می تواند به لبه قطعه کار آسیب وارد کند.

برای فرز کاری لبه ها و فرز فرم، بیشترین اندازه های قطعات کار عبارتند از:

قطعه کار	شعاع mm	تراش لبه mm
چوب سخت	10	6
چوب نرم	12	10
پلاستیک	12	10
صفحات ام دی اف	12	10
صفحات مولتی پلکس	10	6

## مراقبت و سرویس

### مراقبت، تعمیر و تمیز کردن دستگاه

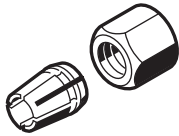
قبل از انجام هر گونه کاری با ابزار برقی (از جمله سرویس و نگهداری، تعویض ابزار و غیره)، باتری قابل شارژ را از داخل ابزار برقی خارج کنید. در صورت فشرده شدن اتفاقی کلید روشن/خاموش، خطر آسیب دیدگی وجود دارد.

ابزار برقی و شیارهای تهویه را همواره تمیز نگه دارید تا بتوان بخوبی و با اطمینان کار کرد.

پس از استفاده، ابزار برقی را به کمک جاروبرقی، قلم مو یا جاروی دستی تمیز کنید. مطمئن شوید که ستون های هدایت کننده بدون گرد و غبار چوب باشند. ستون هدایت کننده صیقلی (19) را با یک فطره روغن یا گریس چرب کنید (رجوع کنید به تصاویر 1).

### خدمات و مشاوره با مشتریان

دفتر خدمات پس از فروش به سئوالات شما در باره تعمیرات، سرویس و همچنین قطعات یدکی و متعلقات پاسخ خواهد داد. تصاویر و اطلاعات در باره قطعات یدکی و متعلقات را میتوانید در سایت نامبرده زیر جستجو نمایید: [www.bosch-pt.com](http://www.bosch-pt.com)



6 mm	2 608 570 133
8 mm	2 608 570 134
1/4"	2 608 570 142



2 609 110 438 (17 mm)

## Legal Information and Licenses

### Copyright © 2015, Infineon Technologies AG

All rights reserved.

Redistribution and use in source and binary forms, with or without modification, are permitted provided that the following conditions are met:

- Redistributions of source code must retain the above copyright notice, this list of conditions and the following disclaimer.
- Redistributions in binary form must reproduce the above copyright notice, this list of conditions and the following disclaimer in the documentation and/or other materials provided with the distribution.
- Neither the name of the copyright holders nor the names of its contributors may be used to endorse or promote products derived from this software without specific prior written permission.

THIS SOFTWARE IS PROVIDED BY THE COPYRIGHT HOLDERS AND CONTRIBUTORS "AS IS" AND ANY EXPRESS OR IMPLIED WARRANTIES, INCLUDING, BUT NOT LIMITED TO, THE IMPLIED WARRANTIES OF MERCHANTABILITY AND FITNESS FOR A PARTICULAR PURPOSE ARE DISCLAIMED. IN NO EVENT SHALL THE COPYRIGHT OWNER OR CONTRIBUTORS BE LIABLE FOR ANY DIRECT, INDIRECT, INCIDENTAL, SPECIAL, EXEMPLARY, OR CONSEQUENTIAL DAMAGES (INCLUDING, BUT NOT LIMITED TO, PROCUREMENT OF SUBSTITUTE GOODS OR SERVICES; LOSS OF USE, DATA, OR PROFITS; OR BUSINESS INTERRUPTION) HOWEVER CAUSED AND ON ANY THEORY OF LIABILITY, WHETHER IN CONTRACT, STRICT LIABILITY, OR TORT (INCLUDING NEGLIGENCE OR OTHERWISE) ARISING IN ANY WAY OUT OF THE USE OF THIS SOFTWARE, EVEN IF ADVISED OF THE POSSIBILITY OF SUCH DAMAGE.

### Warranty Disclaimer


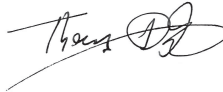

This product contains Open Source Software components which underly Open Source Software Licenses. Please note that Open Source Licenses contain disclaimer clauses. The text of the Open Source Licenses that apply are included in this manual under "Legal Information and Licenses".





CE

I

<b>en</b>	<b>EU Declaration of Conformity</b>	We declare under our sole responsibility that the stated products comply with all applicable provisions of the directives and regulations listed below and are in conformity with the following standards. Technical file at: *											
	<b>Edge router</b> Article number												
<b>fr</b>	<b>Déclaration de conformité UE</b>	Nous déclarons sous notre propre responsabilité que les produits décrits sont en conformité avec les directives, règlements normatifs et normes énumérés ci-dessous. Dossier technique auprès de : *											
	<b>Affleureuse</b> N° d'article												
<b>pt</b>	<b>Declaração de Conformidade UE</b>	Declaramos sob nossa exclusiva responsabilidade que os produtos mencionados cumprem todas as disposições e os regulamentos indicados e estão em conformidade com as seguintes normas. Documentação técnica pertencente à: *											
	<b>Minitupia</b> N.º do produto												
	<b>GKF 12V-8</b>	<b>3 601 FB0 000</b>	<table border="0"> <tr> <td>2006/42/EC</td> <td>EN 62841-1:2015+A11:2022</td> </tr> <tr> <td>2014/30/EU</td> <td>EN 62841-2-17:2017</td> </tr> <tr> <td>2011/65/EU</td> <td>EN IEC 55014-1:2021</td> </tr> <tr> <td></td> <td>EN IEC 55014-2:2021</td> </tr> <tr> <td></td> <td>EN IEC 63000:2018</td> </tr> </table>	2006/42/EC	EN 62841-1:2015+A11:2022	2014/30/EU	EN 62841-2-17:2017	2011/65/EU	EN IEC 55014-1:2021		EN IEC 55014-2:2021		EN IEC 63000:2018
2006/42/EC	EN 62841-1:2015+A11:2022												
2014/30/EU	EN 62841-2-17:2017												
2011/65/EU	EN IEC 55014-1:2021												
	EN IEC 55014-2:2021												
	EN IEC 63000:2018												
			 <b>BOSCH</b> * Robert Bosch Power Tools GmbH (PT/ECS) 70538 Stuttgart GERMANY										
		Thomas Donato Chairman of the Management Board	Helmut Heinzlmann Head of Product Certification										
		 											
		Robert Bosch Power Tools GmbH, 70538 Stuttgart, GERMANY Stuttgart, 30.07.2024											