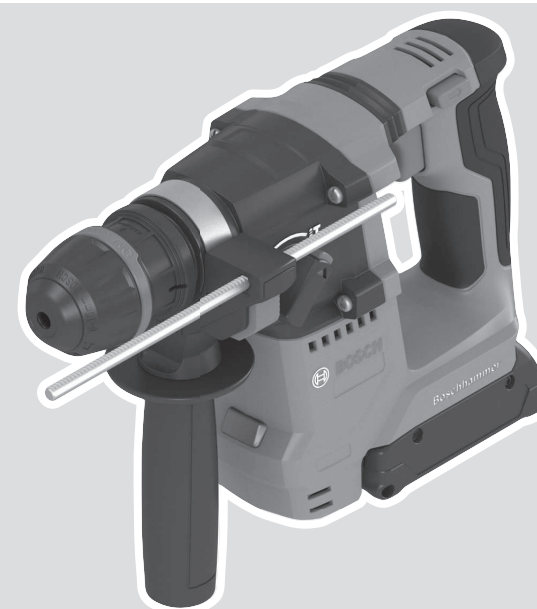




GBH 18V-18 X Professional



Robert Bosch Power Tools GmbH
70538 Stuttgart
GERMANY

www.bosch-pt.com

1 609 92A 9N1 (2024.09) TAG / 81

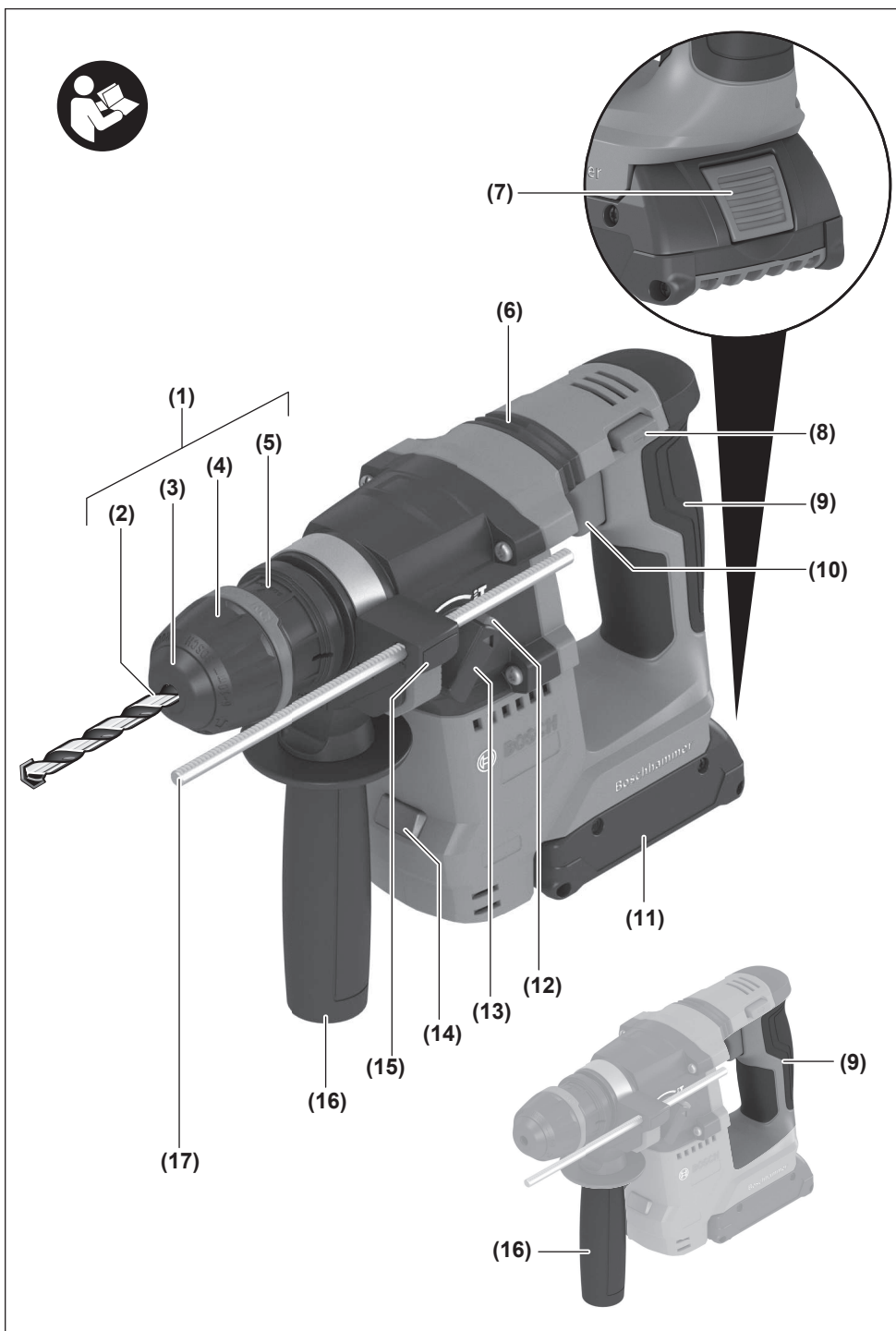


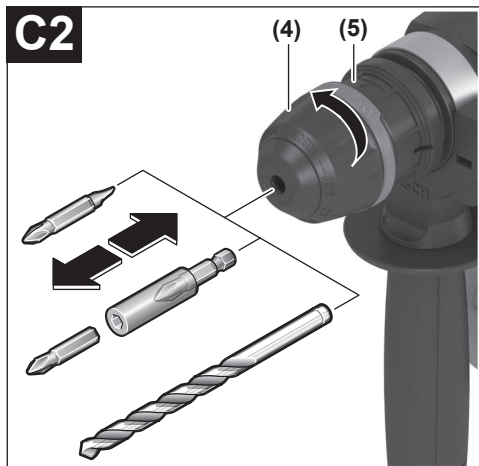
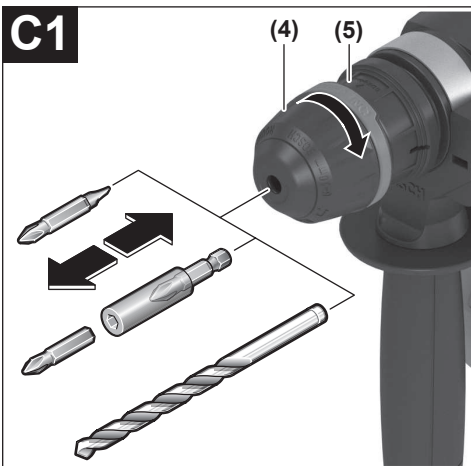
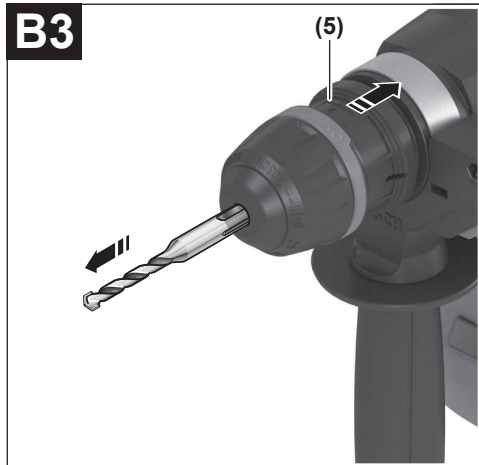
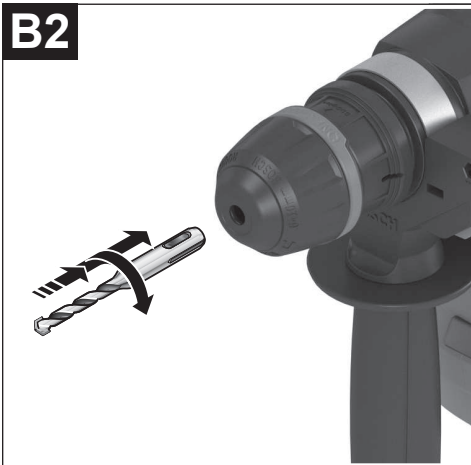
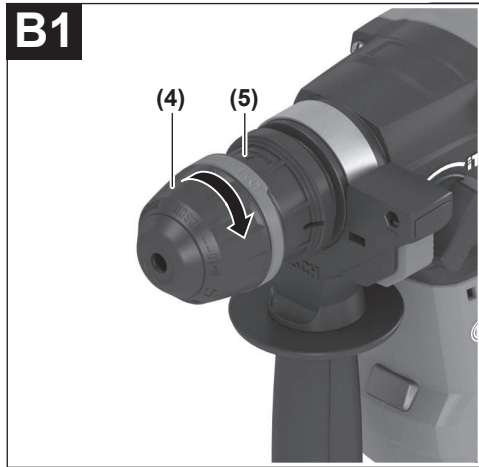
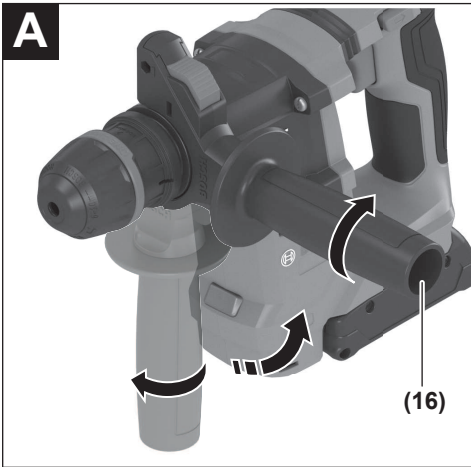
1 609 92A 9N1

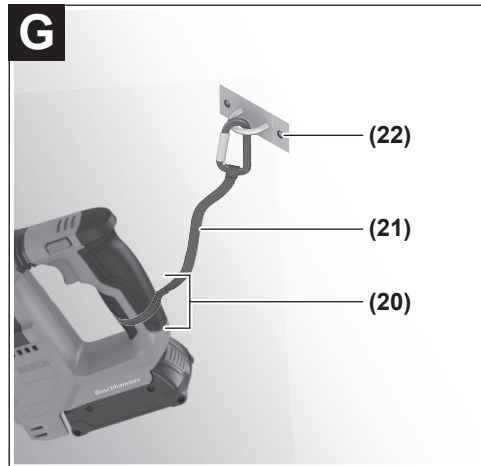
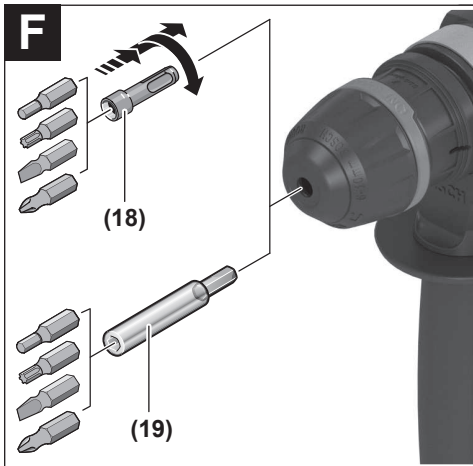
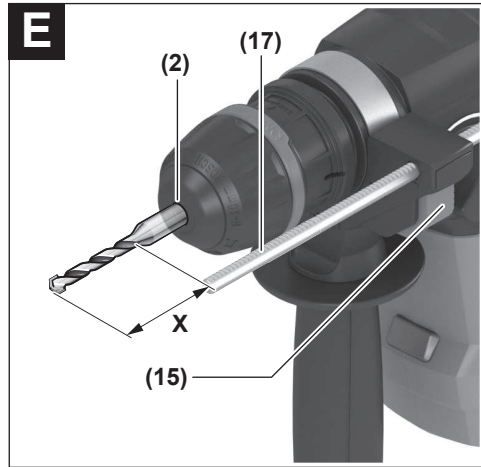
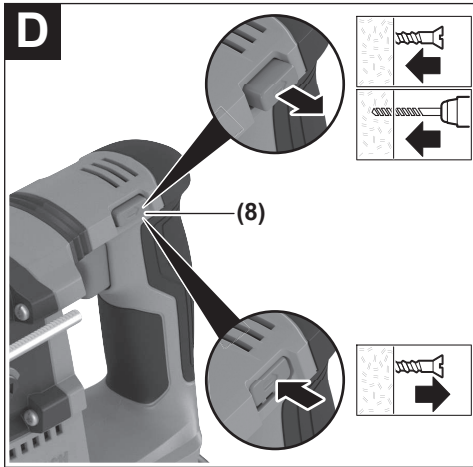
- en Original instructions
- fr Notice originale
- pt Manual original
- zh 正本使用说明书
- zh 原始使用說明書
- th หนังสือคู่มือการใช้งานฉบับต้นแบบ
- id Petunjuk-Petunjuk untuk Penggunaan Orisinal
- vi Bản gốc hướng dẫn sử dụng
- ar دليل التشغيل الأصلي
- fa دفترچه راهنمای اصلی



English	Page	6
Français	Page	13
Português	Página	20
中文	頁	28
繁體中文	頁	34
ไทย	หน้า	40
Bahasa Indonesia	Halaman	48
Tiếng Việt	Trang	55
عربي	الصفحة	64
فارسی	صفحه	72







English

Safety instructions

General Power Tool Safety Warnings

⚠ WARNING Read all safety warnings, instructions, illustrations and specifications provided with this power tool. Failure to follow all instructions listed below may result in electric shock, fire and/or serious injury.

Save all warnings and instructions for future reference.

The term "power tool" in the warnings refers to your mains-operated (corded) power tool or battery-operated (cordless) power tool.

Work area safety

- ▶ **Keep work area clean and well lit.** Cluttered or dark areas invite accidents.
- ▶ **Do not operate power tools in explosive atmospheres, such as in the presence of flammable liquids, gases or dust.** Power tools create sparks which may ignite the dust or fumes.
- ▶ **Keep children and bystanders away while operating a power tool.** Distractions can cause you to lose control.

Electrical safety

- ▶ **Power tool plugs must match the outlet. Never modify the plug in any way. Do not use any adapter plugs with earthed (grounded) power tools.** Unmodified plugs and matching outlets will reduce risk of electric shock.
- ▶ **Avoid body contact with earthed or grounded surfaces, such as pipes, radiators, ranges and refrigerators.** There is an increased risk of electric shock if your body is earthed or grounded.
- ▶ **Do not expose power tools to rain or wet conditions.** Water entering a power tool will increase the risk of electric shock.
- ▶ **Do not abuse the cord. Never use the cord for carrying, pulling or unplugging the power tool. Keep cord away from heat, oil, sharp edges or moving parts.** Damaged or entangled cords increase the risk of electric shock.
- ▶ **When operating a power tool outdoors, use an extension cord suitable for outdoor use.** Use of a cord suitable for outdoor use reduces the risk of electric shock.
- ▶ **If operating a power tool in a damp location is unavoidable, use a residual current device (RCD) protected supply.** Use of an RCD reduces the risk of electric shock.

Personal safety

- ▶ **Stay alert, watch what you are doing and use common sense when operating a power tool. Do not use a power tool while you are tired or under the influence of drugs, alcohol or medication.** A moment of inatten-

tion while operating power tools may result in serious personal injury.

- ▶ **Use personal protective equipment. Always wear eye protection.** Protective equipment such as a dust mask, non-skid safety shoes, hard hat or hearing protection used for appropriate conditions will reduce personal injuries.
- ▶ **Prevent unintentional starting. Ensure the switch is in the off-position before connecting to power source and/or battery pack, picking up or carrying the tool.** Carrying power tools with your finger on the switch or energising power tools that have the switch on invites accidents.
- ▶ **Remove any adjusting key or wrench before turning the power tool on.** A wrench or a key left attached to a rotating part of the power tool may result in personal injury.
- ▶ **Do not overreach. Keep proper footing and balance at all times.** This enables better control of the power tool in unexpected situations.
- ▶ **Dress properly. Do not wear loose clothing or jewellery. Keep your hair and clothing away from moving parts.** Loose clothes, jewellery or long hair can be caught in moving parts.
- ▶ **If devices are provided for the connection of dust extraction and collection facilities, ensure these are connected and properly used.** Use of dust collection can reduce dust-related hazards.
- ▶ **Do not let familiarity gained from frequent use of tools allow you to become complacent and ignore tool safety principles.** A careless action can cause severe injury within a fraction of a second.

Power tool use and care

- ▶ **Do not force the power tool. Use the correct power tool for your application.** The correct power tool will do the job better and safer at the rate for which it was designed.
- ▶ **Do not use the power tool if the switch does not turn it on and off.** Any power tool that cannot be controlled with the switch is dangerous and must be repaired.
- ▶ **Disconnect the plug from the power source and/or remove the battery pack, if detachable, from the power tool before making any adjustments, changing accessories, or storing power tools.** Such preventive safety measures reduce the risk of starting the power tool accidentally.
- ▶ **Store idle power tools out of the reach of children and do not allow persons unfamiliar with the power tool or these instructions to operate the power tool.** Power tools are dangerous in the hands of untrained users.
- ▶ **Maintain power tools and accessories. Check for misalignment or binding of moving parts, breakage of parts and any other condition that may affect the power tool's operation. If damaged, have the power tool repaired before use.** Many accidents are caused by poorly maintained power tools.

- ▶ **Keep cutting tools sharp and clean.** Properly maintained cutting tools with sharp cutting edges are less likely to bind and are easier to control.
- ▶ **Use the power tool, accessories and tool bits etc. in accordance with these instructions, taking into account the working conditions and the work to be performed.** Use of the power tool for operations different from those intended could result in a hazardous situation.
- ▶ **Keep handles and grasping surfaces dry, clean and free from oil and grease.** Slippery handles and grasping surfaces do not allow for safe handling and control of the tool in unexpected situations.

Battery tool use and care

- ▶ **Recharge only with the charger specified by the manufacturer.** A charger that is suitable for one type of battery pack may create a risk of fire when used with another battery pack.
- ▶ **Use power tools only with specifically designated battery packs.** Use of any other battery packs may create a risk of injury and fire.
- ▶ **When battery pack is not in use, keep it away from other metal objects, like paper clips, coins, keys, nails, screws or other small metal objects, that can make a connection from one terminal to another.** Shorting the battery terminals together may cause burns or a fire.
- ▶ **Under abusive conditions, liquid may be ejected from the battery; avoid contact. If contact accidentally occurs, flush with water. If liquid contacts eyes, additionally seek medical help.** Liquid ejected from the battery may cause irritation or burns.
- ▶ **Do not use a battery pack or tool that is damaged or modified.** Damaged or modified batteries may exhibit unpredictable behaviour resulting in fire, explosion or risk of injury.
- ▶ **Do not expose a battery pack or tool to fire or excessive temperature.** Exposure to fire or temperature above 130°C may cause explosion.
- ▶ **Follow all charging instructions and do not charge the battery pack or tool outside the temperature range specified in the instructions.** Charging improperly or at temperatures outside the specified range may damage the battery and increase the risk of fire.

Service

- ▶ **Have your power tool serviced by a qualified repair person using only identical replacement parts.** This will ensure that the safety of the power tool is maintained.
- ▶ **Never service damaged battery packs.** Service of battery packs should only be performed by the manufacturer or authorized service providers.

Hammer Safety Warnings

Safety instructions for all operations

- ▶ **Wear ear protectors.** Exposure to noise can cause hearing loss.

- ▶ **Use auxiliary handle(s), if supplied with the tool.** Loss of control can cause personal injury.
- ▶ **Hold the power tool by insulated gripping surfaces, when performing an operation where the cutting accessory or fasteners may contact hidden wiring.** Cutting accessory or fasteners contacting a "live" wire may make exposed metal parts of the power tool "live" and could give the operator an electric shock.

Safety instructions when using long drill bits with rotary hammers

- ▶ **Always start drilling at low speed and with the bit tip in contact with the workpiece.** At higher speeds, the bit is likely to bend if allowed to rotate freely without contacting the workpiece, resulting in personal injury.
- ▶ **Apply pressure only in direct line with the bit and do not apply excessive pressure.** Bits can bend, causing breakage or loss of control, resulting in personal injury.

Additional safety information

- ▶ **Use suitable detectors to determine if there are hidden supply lines or contact the local utility company for assistance.** Contact with electric cables can cause fire and electric shock. Damaging gas lines can lead to explosion. Breaking water pipes causes property damage.
- ▶ **Always wait until the power tool has come to a complete stop before placing it down.** The application tool can jam and cause you to lose control of the power tool.
- ▶ **Secure the workpiece.** A workpiece clamped with clamping devices or in a vice is held more secure than by hand.
- ▶ **In case of damage and improper use of the battery, vapours may be emitted. The battery can set alight or explode.** Ensure the area is well ventilated and seek medical attention should you experience any adverse effects. The vapours may irritate the respiratory system.
- ▶ **Do not modify or open the battery.** There is a risk of short-circuiting.
- ▶ **The battery can be damaged by pointed objects such as nails or screwdrivers or by force applied externally.** An internal short circuit may occur, causing the battery to burn, smoke, explode or overheat.
- ▶ **Only use the battery in the manufacturer's products.** This is the only way in which you can protect the battery against dangerous overload.



Protect the battery against heat, e.g. against continuous intense sunlight, fire, dirt, water and moisture. There is a risk of explosion and short-circuiting.



- ▶ **Do not touch any application tools or adjacent housing components shortly after operation.** These can become very hot during operation and cause burns.
- ▶ **The application tool may jam during drilling. Make sure you have a stable footing and hold the power tool firmly with both hands.** Otherwise you could lose control of the power tool.

- ▶ **Do not direct the power tool at nearby persons during operation.** The application tool may fly out and cause serious injuries.
 - ▶ **Always wear a safety helmet and safety glasses/face protection.** Normal glasses and sunglasses are not safety glasses.
 - ▶ **Check that the application tool is seated securely and safely before operation.**
 - ▶ **Always make sure that you maintain a safe distance. When operating the power tool in high up areas, e.g. on a ladder, ensure that no one is beneath you.**
 - ▶ **Do not open or close the drill chuck by switching on the power tool.** The application tool can be ejected. This poses a risk of injury.
 - ▶ **Do not direct the power tool at nearby persons during operation.** The application tool may fly out and cause serious injuries.
 - ▶ **Always wear a safety helmet and safety glasses/face protection.** Normal glasses and sunglasses are not safety glasses.
 - ▶ **Check that the application tool is seated securely and safely before operation.**
 - ▶ **Always make sure that you maintain a safe distance. When operating the power tool in high up areas, e.g. on a ladder, ensure that no one is beneath you.**
 - ▶ **Do not open or close the drill chuck by switching on the power tool.** The application tool can be ejected. This poses a risk of injury.
 - ▶ **Hold the power tool firmly with both hands and make sure you have a stable footing.** The power tool can be more securely guided with both hands.
- (4) Front sleeve
 - (5) Rear sleeve
 - (6) Vibration damping
 - (7) Battery release button^{a)}
 - (8) Rotational direction switch
 - (9) Handle (insulated gripping surface)
 - (10) On/off switch
 - (11) Rechargeable battery^{a)}
 - (12) Release button for impact/mode selector switch
 - (13) Impact/mode selector switch
 - (14) Worklight
 - (15) Button for depth stop adjustment
 - (16) Auxiliary handle (insulated gripping surface)
 - (17) Depth stop
 - (18) Universal bit holder with SDS plus shank^{a)}
 - (19) Universal bit holder with a cylindrical or hexagonal shank^{a)}
 - (20) Attachment area for the fall protection system on the power tool
 - (21) Fall protection system^{b)}
 - (22) Fall protection system anchorage point fixer^{b)}
- a) **This accessory is not part of the standard scope of delivery.**
 b) **This accessory described here is not included with the product as standard, nor is it part of the Bosch range of accessories.**

Product Description and Specifications



Read all the safety and general instructions.

Failure to observe the safety and general instructions may result in electric shock, fire and/or serious injury.

Please observe the illustrations at the beginning of this operating manual.

Intended Use

The power tool is intended for hammer drilling in concrete, brick and stone. It is also suitable for drilling without impact in wood, metal, ceramic and plastic. Power tools with electronic control and right/left rotation are also suitable for screwdriving.

Product Features

The numbering of the product features refers to the diagram of the power tool on the graphics page.

- (1) ONECHUCK drill chuck
- (2) ONECHUCK tool holder
- (3) Dust protection cap

Technical Data

Cordless rotary hammer		GBH 18V-18 X
Article number		3 611 J27 1..
Rated voltage	V=	18
Rated speed ^{A)}	min ⁻¹	900
Impact rate ^{A)}	min ⁻¹	5000
Tool holder		– SDS plus – Cylindrical – Hexagonal
Drill chuck clamping range for cylindrical shanks	mm	6–10
Max. drilling diameter		
– Concrete	mm	18
– Steel	mm	10
– Wood	mm	18
Weight ^{B)}	kg	2.2 kg (1.5 Ah)– 3.2 kg (12.0 Ah)
Recommended ambient temperature during charging	°C	0 to +35
Permitted ambient temperature during operation ^{C)} and during storage	°C	–20 to +50

Cordless rotary hammer	GBH 18V-18 X
Compatible rechargeable batteries	GBA 18V... ProCORE18V...
Recommended battery chargers	GAL 18... GAX 18... GAL 36...

A) Measured at 20–25 °C with rechargeable battery **GBA 18V 4.0Ah**

B) Depending on battery in use

C) Limited performance at temperatures < 0 °C

Technical data determined using the battery that comes with the product.

Values can vary depending on the product, scope of application and environmental conditions. To find out more, visit www.bosch-professional.com/wac.

Rechargeable battery

Bosch sells some cordless power tools without a rechargeable battery. You can tell whether a rechargeable battery is included with the power tool by looking at the packaging.

Charging the battery

- **Use only the chargers listed in the technical data.** Only these chargers are matched to the lithium-ion battery of your power tool.

Note: Lithium-ion rechargeable batteries are supplied partially charged according to international transport regulations. To ensure full rechargeable battery capacity, fully charge the rechargeable battery before using your tool for the first time.

Inserting the Battery

Push the charged battery into the battery holder until it clicks into place.

Removing the Battery



To remove the rechargeable battery, press the battery release button and pull the battery out. **Do not use force to do this.**

The rechargeable battery has two locking levels to prevent the battery from falling out if the battery release button is pressed unintentionally. The rechargeable battery is held in place by a spring when fitted in the power tool.

Battery charge indicator

Note: Not all battery types have a battery charge indicator.

The green LEDs on the battery charge indicator indicate the state of charge of the battery. For safety reasons, it is only possible to check the state of charge when the power tool is not in operation.

Press the button for the battery charge indicator  or  to show the state of charge. This is also possible when the battery is removed.

If no LED lights up after pressing the button for the battery charge indicator, then the battery is defective and must be replaced.

Battery model GBA 18V...



LED	Capacity
3 × continuous green light	60–100 %
2 × continuous green light	30–60 %
1 × continuous green light	5–30 %
1 × flashing green light	0–5 %

Battery model ProCORE18V...



LED	Capacity
5 × continuous green light	80–100 %
4 × continuous green light	60–80 %
3 × continuous green light	40–60 %
2 × continuous green light	20–40 %
1 × continuous green light	5–20 %
1 × flashing green light	0–5 %

Recommendations for Optimal Handling of the Battery

Protect the battery against moisture and water.

Only store the battery within a temperature range of –20 to 50 °C. Do not leave the battery in your car in the summer, for example.

Occasionally clean the ventilation slots on the battery using a soft brush that is clean and dry.

A significantly reduced operating time after charging indicates that the battery has deteriorated and must be replaced. Follow the instructions on correct disposal.

Assembly

- **Before carrying out any work on the power tool (e.g. maintenance, tool change etc.), remove the battery from the power tool.** There is risk of injury from unintentionally pressing the on/off switch.

Auxiliary handle

- **Do not operate your power tool without the auxiliary handle (16).**
- **Make sure that the auxiliary handle is always tightened.** Otherwise you could lose control of the power tool when working.

Swivelling the auxiliary handle (see figure A)

You can swivel the auxiliary handle (16) to any angle for a safe work posture that minimises fatigue.

- Turn the lower gripping end of the auxiliary handle **(16)** anticlockwise and swivel the auxiliary handle **(16)** into the required position. Then turn the lower gripping end of the auxiliary handle **(16)** clockwise to retighten it. Make sure that the retaining strap of the auxiliary handle slots into the corresponding groove of the housing.

Changing the Tool



The ONECHUCK drill chuck enables you to use SDS plus application tools, cylindrical and hexagonal application tools easily and conveniently without needing to use additional tools or change the drill chuck.

The dust protection cap **(3)** largely prevents the penetration of drilling dust into the tool holder during operation. When inserting the tool, make sure that the dust protection cap **(3)** does not become damaged.

- ▶ **Replace a damaged dust protection cap immediately. It is recommended that you have use an after-sales service for this.**

Changing the Tool (SDS plus)

Inserting the SDS plus Application Tool (see figures B1–B2)

- Hold the rear sleeve **(5)** of the drill chuck with one hand. Use your other hand to fully open the tool holder by turning the front sleeve **(4)**.
- Clean and lightly grease the shank of the SDS plus application tool.
- Insert the SDS plus application tool into the tool holder while turning it until it locks automatically.
- Check that it is locked by pulling on the tool.

As a requirement of the system, the SDS plus application tool can move freely. This causes a certain radial run-out at no-load, which has no effect on the accuracy of the drill hole, as the drill bit centres itself upon drilling.

Removing the SDS plus Application Tool (see figure B3)

- Push the rear sleeve **(5)** back and remove the SDS plus application tool.

Changing the Tool (cylindrical/hexagonal shank)

Inserting the Application Tool (see figure C1)

Note: Application tools that do not have SDS plus must not be used for hammer drilling. Tools without SDS plus and their drill chucks are damaged by hammer drilling.

Note: Only use tools with a cylindrical or hexagonal shank in the drilling operating mode.

- ▶ **Do not close the drill chuck by switching on the power tool.** The application tool can be ejected. This poses a risk of injury.

Note: Only use application tools with a cylindrical or hexagonal shank with a shank diameter of 6 to 10 mm.

- Turn the impact/mode selector switch **(13)** to the "drilling" position.
- Hold the rear sleeve **(5)** of the drill chuck with one hand. Use your other hand to open the tool holder by turning

the front sleeve **(4)** until the application tool can be inserted.

- Insert the cylindrical or hexagonal application tool into the drill chuck.
- Hold the rear sleeve **(5)** in place with one hand and, with the other hand, turn the front sleeve **(4)** firmly in the direction of the arrow until you hear a clear clicking sound.
- Check that it is seated securely by pulling on the tool. Only insert the application tool if the power tool is switched off.

Removing the Application Tool (see figure C2)

- Hold the rear sleeve **(5)** of the drill chuck with one hand. Use your other hand to open the tool holder by turning the front sleeve **(4)** in the direction of the arrow until the application tool can be removed.
- Remove the application tool.
- ▶ **Do not open the drill chuck by switching on the power tool.** The application tool can be ejected. This poses a risk of injury.

Dust/Chip Extraction

The dust from materials such as lead paint, some types of wood, minerals and metal can be harmful to human health. Touching or breathing in this dust can trigger allergic reactions and/or cause respiratory illnesses in the user or in people in the near vicinity.

Certain dusts, such as oak or beech dust, are classified as carcinogenic, especially in conjunction with wood treatment additives (chromate, wood preservative). Materials containing asbestos may only be machined by specialists.

- Use a dust extraction system that is suitable for the material wherever possible.
- Provide good ventilation at the workplace.
- It is advisable to wear a P2 filter class breathing mask. The regulations on the material being machined that apply in the country of use must be observed.

- ▶ **Avoid dust accumulation at the workplace.** Dust can easily ignite.

Operation

Start-up

Setting the Operating Mode

The operating mode of the power tool is selected using the impact/mode selector switch **(13)**.

- To change the operating mode, press the release button **(12)** and turn the impact/mode selector switch **(13)** until it clicks into the required position.

Note: Only change the operating mode when the power tool is switched off. Otherwise, the power tool may become damaged.



Position for **hammer drilling** into concrete or stone



Setting the rotational direction (see figure D)

The rotational direction switch (8) is used to change the rotational direction of the power tool. However, this is not possible while the on/off switch (10) is being pressed.

- ▶ **Only operate the rotational direction switch (8) when the power tool is not in use.**

Always set the rotational direction to clockwise rotation for hammer drilling and drilling.

- **Clockwise:** To drill and to drive in screws, press the rotational direction switch (8) all the way to the left.
- **Anticlockwise:** To loosen and unscrew screws and nuts, press the rotational direction switch (8) all the way to the right.

Note: If the rotational direction switch is in the middle position, the on/off switch is blocked.

Switching On/Off

- To **switch on** the power tool, press the on/off switch (10).

The worklight (14) lights up when the on/off switch (10) is lightly or fully pressed, allowing the work area to be illuminated in poor lighting conditions.

- To **switch off** the power tool, release the on/off switch (10).

For low temperatures, the power tool reaches the full hammer/impact capacity only after a certain time.

Adjusting the Speed/Impact Rate

You can adjust the speed/impact rate of the power tool when it is on by pressing in the on/off switch (10) to varying extents.

Applying light pressure to the on/off switch (10) results in a low rotational speed/impact rate. Applying increasing pressure to the switch increases the speed/impact rate.

Practical Advice

Setting the drilling depth (see figure E)

You can use the depth stop (17) to set the required drilling depth X.

- Press the button for depth stop adjustment (15) and insert the depth stop into the auxiliary handle (16). The fluting on the depth stop (17) must face downwards.
- Push the SDS plus application tool into the SDS plus tool holder as far as it will go. Otherwise, the movability of the SDS plus drilling tool can lead to incorrect adjustment of the drilling depth.
- Pull the depth stop far enough out that the distance between the drill bit tip and the edge of the depth stop corresponds to the required drilling depth X.

Overload torque

- ▶ **If the application tool jams or snags, the power transmission to the drill spindle will be interrupted. Always**

hold the power tool firmly with both hands to withstand the forces this may create and adopt a position with stable footing.

- ▶ **Switch the power tool off immediately and remove the application tool if the power tool becomes blocked. Switching on when the application tool is blocked may cause high torque reactions.**

Rapid shut-off (KickBack control)



The rapid shut-off function (KickBack Control) gives the user greater control over the power tool and offers them better protection than power tools that do not have KickBack Control. The power tool will switch off if it suddenly and unforeseeably rotates around the drilling axis.

- To **switch the tool back on**, release the on/off switch (10) and then press it again.

Rapid shut-off is indicated by flashing of the worklight (14) on the power tool.

Vibration damping



The integrated vibration damping function reduces the generated vibration.

- ▶ **Do not continue to use the power tool if the damping element is damaged.**

Constant Electronic control



The constant electronic control keeps a constant speed when at no load and under certain load conditions. This guarantees a uniform performance.

Inserting Screwdriver Bits (see figure F)

- ▶ **Only apply the power tool to the screw/nut when the tool is switched off.** Rotating tool inserts can slip off.

A universal bit holder with a SDS plus shank (18) or a universal bit holder with a cylindrical or hexagonal shank (19) is required to work with screwdriver bits.

Using a Universal Bit Holder with an SDS Plus Shank

- Clean and lightly grease the insertion end of the shank.
- Insert the universal bit holder (18) into the tool holder while turning it until it locks automatically.
- Check that it is locked by pulling on the universal bit holder.
- Insert a screwdriver bit in the universal bit holder (18). Only use screwdriver bits that fit the screw head.
- To remove the universal bit holder (18), slide the locking sleeve backwards and remove the universal bit holder from the tool holder.

Using a Universal Bit Holder with a Cylindrical or Hexagonal Shank

- Insert the universal bit holder with a cylindrical or hexagonal shank (19). To do this, proceed as you would when inserting the application tool (see "Inserting the Application Tool (see figure C1)", page 10).

- Check that it is locked by pulling on the universal bit holder (19).
- Insert a screwdriver bit in the universal bit holder (19). Only use screwdriver bits that fit the screw head.
- To remove the universal bit holder (19), proceed as you would when removing the application tool (see "Removing the Application Tool (see figure C2)", page 10).

Attaching the Fall Protection System (see figure G)

Note: A fall protection system (21) that is suitable for the weight of the entire system should be used to prevent the power tool from falling. The maximum permitted length of the fall protection system is 1.8 m. Please always refer to the permitted attachment area (20) on the power tool.

It is best to use the fall protection system with a tape loop secured by an anchor knot or a fall protection system with fall damper.

Please always refer to the operating instructions when attaching the fall protection system (21).

- ▶ **Always secure the opposite side of the fall protection system to a stable structure (e.g. a building or scaffolding) and never to the user.**
The fall protection system must be able to move freely and may only be attached to the power tool at the fixed anchorage point (22) and in the permitted attachment area (20).
Select the fixed anchorage point (22) such that the power tool can fall freely into the fall protection system without wrapping around or putting the user at risk of harm in the event of a fall.
Never use the fall protection system on a power tool which has been fitted with the dust extraction attachment.

Maintenance and Service

Maintenance and Cleaning

- ▶ **Before carrying out any work on the power tool (e.g. maintenance, tool change etc.), remove the battery from the power tool.** There is risk of injury from unintentionally pressing the on/off switch.
- ▶ **To ensure safe and efficient operation, always keep the power tool and the ventilation slots clean.**
- ▶ **Replace a damaged dust protection cap immediately. It is recommended that you have use an after-sales service for this.**
- Clean the tool holder after each use.

After-Sales Service and Application Service

Our after-sales service responds to your questions concerning maintenance and repair of your product as well as spare parts. You can find explosion drawings and information on spare parts at: www.bosch-pt.com

The Bosch product use advice team will be happy to help you with any questions about our products and their accessories.

In all correspondence and spare parts orders, please always include the 10-digit article number given on the nameplate of the product.

Malaysia

Robert Bosch Sdn. Bhd.(220975-V) PT/SMY
No. 8A, Jalan 13/6
46200 Petaling Jaya
Selangor
Tel.: (03) 79663194
Toll-Free: 1800 880188
Fax: (03) 79583838
E-Mail: kiathoe.chong@my.bosch.com
www.bosch-pt.com.my

You can find further service addresses at:

www.bosch-pt.com/serviceaddresses

Transport

The recommended lithium-ion batteries are subject to legislation on the transport of dangerous goods. The user can transport the batteries by road without further requirements.

When the batteries are shipped by third parties (e.g. air transport or forwarding agency), special requirements on packaging and labelling (e.g. ADR regulations) must be met. A dangerous goods expert must be consulted when preparing the items for shipping.

Dispatch battery packs only when the housing is undamaged. Tape or mask off open contacts and pack up the battery in such a manner that it cannot move around in the packaging. Please also observe the possibility of more detailed national regulations.

Disposal



Power tools, rechargeable batteries, accessories and packaging should be sorted for environmental-friendly recycling.



Do not dispose of power tools and batteries/rechargeable batteries into household waste!

Battery packs/batteries:

Li-ion:

Please observe the notes in the section on transport (see "Transport", page 12).

Français

Consignes de sécurité

Avertissements de sécurité généraux pour l'outil électrique

⚠ AVERTISSEMENT Lire tous les avertissements de sécurité, les instructions, les illustrations et les spécifications fournies avec cet outil électrique.

Ne pas suivre les instructions énumérées ci-dessous peut provoquer un choc électrique, un incendie et/ou une blessure sérieuse.

Conservé tous les avertissements et toutes les instructions pour pouvoir s'y reporter ultérieurement.

Le terme "outil électrique" dans les avertissements fait référence à votre outil électrique alimenté par le secteur (avec cordon d'alimentation) ou votre outil électrique fonctionnant sur batterie (sans cordon d'alimentation).

Sécurité de la zone de travail

- ▶ **Conservé la zone de travail propre et bien éclairée.**
Les zones en désordre ou sombres sont propices aux accidents.
- ▶ **Ne pas faire fonctionner les outils électriques en atmosphère explosive, par exemple en présence de liquides inflammables, de gaz ou de poussières.** Les outils électriques produisent des étincelles qui peuvent enflammer les poussières ou les fumées.
- ▶ **Maintenir les enfants et les personnes présentes à l'écart pendant l'utilisation de l'outil électrique.** Les distractions peuvent vous faire perdre le contrôle de l'outil.

Sécurité électrique

- ▶ **Il faut que les fiches de l'outil électrique soient adaptées au socle. Ne jamais modifier la fiche de quelque façon que ce soit. Ne pas utiliser d'adaptateurs avec des outils électriques à branchement de terre.** Des fiches non modifiées et des socles adaptés réduisent le risque de choc électrique.
- ▶ **Éviter tout contact du corps avec des surfaces reliées à la terre telles que les tuyaux, les radiateurs, les cuisinières et les réfrigérateurs.** Il existe un risque accru de choc électrique si votre corps est relié à la terre.
- ▶ **Ne pas exposer les outils électriques à la pluie ou à des conditions humides.** La pénétration d'eau à l'intérieur d'un outil électrique augmente le risque de choc électrique.
- ▶ **Ne pas maltraiter le cordon. Ne jamais utiliser le cordon pour porter, tirer ou débrancher l'outil électrique. Maintenir le cordon à l'écart de la chaleur, du lubrifiant, des arêtes vives ou des parties en mouvement.** Des cordons endommagés ou emmêlés augmentent le risque de choc électrique.
- ▶ **Lorsqu'on utilise un outil électrique à l'extérieur, utiliser un prolongateur adapté à l'utilisation extérieure.**

L'utilisation d'un cordon adapté à l'utilisation extérieure réduit le risque de choc électrique.

- ▶ **Si l'usage d'un outil électrique dans un emplacement humide est inévitable, utiliser une alimentation protégée par un dispositif à courant différentiel résiduel (RCD).** L'usage d'un RCD réduit le risque de choc électrique.

Sécurité des personnes

- ▶ **Rester vigilant, regarder ce que vous êtes en train de faire et faire preuve de bon sens dans votre utilisation de l'outil électrique. Ne pas utiliser un outil électrique lorsque vous êtes fatigué ou sous l'emprise de drogues, de l'alcool ou de médicaments.** Un moment d'inattention en cours d'utilisation d'un outil électrique peut entraîner des blessures graves.
- ▶ **Utiliser un équipement de protection individuelle. Toujours porter une protection pour les yeux.** Les équipements de protection individuelle tels que les masques contre les poussières, les chaussures de sécurité antidérapantes, les casques ou les protections auditives utilisés pour les conditions appropriées réduisent les blessures.
- ▶ **Éviter tout démarrage intempestif. S'assurer que l'interrupteur est en position arrêté avant de brancher l'outil au secteur et/ou au bloc de batteries, de le ramasser ou de le porter.** Porter les outils électriques en ayant le doigt sur l'interrupteur ou brancher des outils électriques dont l'interrupteur est en position marche est source d'accidents.
- ▶ **Retirer toute clé de réglage avant de mettre l'outil électrique en marche.** Une clé laissée fixée sur une partie tournante de l'outil électrique peut donner lieu à des blessures.
- ▶ **Ne pas se précipiter. Garder une position et un équilibre adaptés à tout moment.** Cela permet un meilleur contrôle de l'outil électrique dans des situations inattendues.
- ▶ **S'habiller de manière adaptée. Ne pas porter de vêtements amples ou de bijoux. Garder les cheveux et les vêtements à distance des parties en mouvement.** Des vêtements amples, des bijoux ou les cheveux longs peuvent être pris dans des parties en mouvement.
- ▶ **Si des dispositifs sont fournis pour le raccordement d'équipements pour l'extraction et la récupération des poussières, s'assurer qu'ils sont connectés et correctement utilisés.** Utiliser des collecteurs de poussière peut réduire les risques dus aux poussières.
- ▶ **Rester vigilant et ne pas négliger les principes de sécurité de l'outil sous prétexte que vous avez l'habitude de l'utiliser.** Une fraction de seconde d'inattention peut provoquer une blessure grave.

Utilisation et entretien de l'outil électrique

- ▶ **Ne pas forcer l'outil électrique. Utiliser l'outil électrique adapté à votre application.** L'outil électrique adapté réalise mieux le travail et de manière plus sûre au régime pour lequel il a été construit.

- ▶ **Ne pas utiliser l'outil électrique si l'interrupteur ne permet pas de passer de l'état de marche à arrêt et inversement.** Tout outil électrique qui ne peut pas être commandé par l'interrupteur est dangereux et il faut le réparer.
- ▶ **Débrancher la fiche de la source d'alimentation et/ou enlever le bloc de batteries, s'il est amovible, avant tout réglage, changement d'accessoires ou avant de ranger l'outil électrique.** De telles mesures de sécurité préventives réduisent le risque de démarrage accidentel de l'outil électrique.
- ▶ **Conserver les outils électriques à l'arrêt hors de la portée des enfants et ne pas permettre à des personnes ne connaissant pas l'outil électrique ou les présentes instructions de le faire fonctionner.** Les outils électriques sont dangereux entre les mains d'utilisateurs novices.
- ▶ **Observer la maintenance des outils électriques et des accessoires. Vérifier qu'il n'y a pas de mauvais alignement ou de blocage des parties mobiles, des pièces cassées ou toute autre condition pouvant affecter le fonctionnement de l'outil électrique. En cas de dommages, faire réparer l'outil électrique avant de l'utiliser.** De nombreux accidents sont dus à des outils électriques mal entretenus.
- ▶ **Garder affûtés et propres les outils permettant de couper.** Des outils destinés à couper correctement entretenus avec des pièces coupantes tranchantes sont moins susceptibles de bloquer et sont plus faciles à contrôler.
- ▶ **Utiliser l'outil électrique, les accessoires et les lames etc., conformément à ces instructions, en tenant compte des conditions de travail et du travail à réaliser.** L'utilisation de l'outil électrique pour des opérations différentes de celles prévues peut donner lieu à des situations dangereuses.
- ▶ **Il faut que les poignées et les surfaces de préhension restent sèches, propres et dépourvues d'huiles et de graisses.** Des poignées et des surfaces de préhension glissantes rendent impossibles la manipulation et le contrôle en toute sécurité de l'outil dans les situations inattendues.

Utilisation des outils fonctionnant sur batteries et précautions d'emploi

- ▶ **Ne recharger qu'avec le chargeur spécifié par le fabricant.** Un chargeur qui est adapté à un type de bloc de batteries peut créer un risque de feu lorsqu'il est utilisé avec un autre type de bloc de batteries.
- ▶ **N'utiliser les outils électriques qu'avec des blocs de batteries spécifiquement désignés.** L'utilisation de tout autre bloc de batteries peut créer un risque de blessure et de feu.
- ▶ **Lorsqu'un bloc de batteries n'est pas utilisé, le maintenir à l'écart de tout autre objet métallique, par exemple trombones, pièces de monnaie, clés, clous, vis ou autres objets de petite taille qui peuvent donner**

lieu à une connexion d'une borne à une autre. Le court-circuitage des bornes d'une batterie entre elles peut causer des brûlures ou un feu.

- ▶ **Dans de mauvaises conditions, du liquide peut être éjecté de la batterie; éviter tout contact. En cas de contact accidentel, nettoyer à l'eau. Si le liquide entre en contact avec les yeux, rechercher en plus une aide médicale.** Le liquide éjecté des batteries peut causer des irritations ou des brûlures.
- ▶ **Ne pas utiliser un bloc de batteries ou un outil fonctionnant sur batteries qui a été endommagé ou modifié.** Les batteries endommagées ou modifiées peuvent avoir un comportement imprévisible provoquant un feu, une explosion ou un risque de blessure.
- ▶ **Ne pas exposer un bloc de batteries ou un outil fonctionnant sur batteries au feu ou à une température excessive.** Une exposition au feu ou à une température supérieure à 130 °C peut provoquer une explosion.
- ▶ **Suivre toutes les instructions de charge et ne pas charger le bloc de batteries ou l'outil fonctionnant sur batteries hors de la plage de températures spécifiée dans les instructions.** Un chargement incorrect ou à des températures hors de la plage spécifiée de températures peut endommager la batterie et augmenter le risque de feu.

Maintenance et entretien

- ▶ **Faire entretenir l'outil électrique par un réparateur qualifié utilisant uniquement des pièces de rechange identiques.** Cela assure le maintien de la sécurité de l'outil électrique.
- ▶ **Ne jamais effectuer d'opération d'entretien sur des blocs de batteries endommagés.** Il convient que l'entretien des blocs de batteries ne soit effectué que par le fabricant ou les fournisseurs de service autorisés.

Avertissements de sécurité pour les marteaux

Instructions de sécurité pour toutes les opérations

- ▶ **Porter des protecteurs d'oreilles.** L'exposition au bruit peut provoquer une perte de l'audition.
- ▶ **Utiliser la ou les poignées auxiliaires, si l'outil en est équipé.** Toute perte de contrôle peut entraîner des dommages corporels.
- ▶ **Tenir l'outil électrique par des surfaces de préhension isolées au cours d'une opération où l'accessoire de coupe ou les vis peut être en contact avec des fils dissimulés.** Des accessoires de coupe en contact avec un fil "sous tension" peuvent mettre des parties métalliques exposées de l'outil électrique "sous tension" et provoquer un choc électrique chez l'opérateur.

Instructions de sécurité lors de l'utilisation de longs forets avec des marteaux rotatifs

- ▶ **Toujours commencer à percer à faible vitesse et avec la pointe du foret en contact avec la pièce à usiner.** A des vitesses plus élevées, la pointe est susceptible de se plier s'il lui est permis de tourner librement sans entrer en

contact avec la pièce à usiner, entraînant des dommages corporels.

- ▶ **Appliquez la pression uniquement en ligne directe avec la pointe et ne pas appliquer de pression excessive.** Les pointes peuvent se plier et provoquer une rupture ou une perte de contrôle, entraînant des dommages corporels.

Consignes de sécurité additionnelles

- ▶ **Utilisez un détecteur approprié pour vérifier s'il n'y a pas de conduites cachées ou contactez votre société de distribution d'eau locale.** Tout contact avec des câbles électriques peut provoquer un incendie ou un choc électrique. Tout endommagement d'une conduite de gaz peut provoquer une explosion. La perforation d'une conduite d'eau provoque des dégâts matériels.
- ▶ **Avant de poser l'outil électroportatif, attendez que celui-ci soit complètement à l'arrêt.** L'outil risque de se coincer, ce qui entraînerait une perte de contrôle de l'outil électroportatif.
- ▶ **Bloquez la pièce à travailler.** Une pièce à travailler serrée par des dispositifs de serrage appropriés ou dans un étau est fixée de manière plus sûre que quand elle est tenue avec une main.
- ▶ **Si l'accu est endommagé ou utilisé de manière non conforme, des vapeurs peuvent s'échapper. L'accu peut brûler ou exploser.** Ventilez le local et consultez un médecin en cas de malaise. Les vapeurs peuvent entraîner des irritations des voies respiratoires.
- ▶ **N'apportez aucune modification à la batterie et ne l'ouvrez pas.** Risque de court-circuit.
- ▶ **Les objets pointus comme un clou ou un tournevis et le fait d'exercer une force extérieure sur le boîtier risque d'endommager l'accu.** Il peut en résulter un court-circuit interne et l'accu risque de s'enflammer, de dégager des fumées, d'exploser ou de surchauffer.
- ▶ **N'utilisez l'accu que sur les produits du fabricant.** Tout risque de surcharge dangereuse sera alors exclu.



Conservez la batterie à l'abri de la chaleur, en la protégeant p. ex. de l'ensoleillement direct, du feu, de la saleté, de l'eau et de l'humidité. Il existe un risque d'explosion et de courts-circuits.



- ▶ **Ne touchez pas les accessoires ou pièces adjacentes du carter juste après l'utilisation de l'outil électroportatif.** Ils peuvent devenir très chauds et causer des brûlures.
- ▶ **L'accessoire de travail peut se bloquer lors des perçages. Tenez fermement l'outil électroportatif des deux mains et veillez à toujours travailler dans une position stable.** Vous risquez sinon de perdre le contrôle de l'outil électroportatif.
- ▶ **Ne dirigez pas l'outil électroportatif vers des personnes se trouvant à proximité pendant son utilisation.** L'accessoire de travail peut être projeté en l'air et provoquer des blessures graves.

- ▶ **Portez toujours un casque de sécurité et des lunettes de protection ou une visière de protection.** Les lunettes normales ou lunettes de soleil ne sont pas des lunettes de protection.
- ▶ **Avant de vous mettre au travail, assurez-vous que l'accessoire de travail est correctement fixé dans le mandrin.**
- ▶ **Veillez à toujours avoir une bonne stabilité. Assurez-vous que personne ne se trouve en-dessous de vous quand vous travaillez en hauteur, par ex. sur une échelle.**
- ▶ **N'ouvrez ou ne fermez pas le mandrin en mettant en marche l'outil électroportatif.** Le foret pourrait être éjecté, projeté en l'air et causer des blessures.
- ▶ **Ne dirigez pas l'outil électroportatif vers des personnes se trouvant à proximité pendant son utilisation.** L'accessoire de travail peut être projeté en l'air et provoquer des blessures graves.
- ▶ **Portez toujours un casque de sécurité et des lunettes de protection ou une visière de protection.** Les lunettes normales ou lunettes de soleil ne sont pas des lunettes de protection.
- ▶ **Avant de vous mettre au travail, assurez-vous que l'accessoire de travail est correctement fixé dans le mandrin.**
- ▶ **Veillez à toujours avoir une bonne stabilité. Assurez-vous que personne ne se trouve en-dessous de vous quand vous travaillez en hauteur, par ex. sur une échelle.**
- ▶ **N'ouvrez ou ne fermez pas le mandrin en mettant en marche l'outil électroportatif.** Le foret pourrait être éjecté, projeté en l'air et causer des blessures.
- ▶ **Lors du travail, tenez fermement l'outil électroportatif des deux mains et veillez à toujours garder une position de travail stable.** Avec les deux mains, l'outil électroportatif est guidé en toute sécurité.

Description des prestations et du produit



Lisez attentivement toutes les instructions et consignes de sécurité. Le non-respect des instructions et consignes de sécurité peut provoquer un choc électrique, un incendie et/ou entraîner de graves blessures.

Référez-vous aux illustrations qui se trouvent à l'avant de la notice d'utilisation.

Utilisation conforme

L'outil électroportatif est conçu pour la perforation dans le béton, la brique et la pierre. Il convient aussi pour les perçages sans percussion dans le bois, le métal, la céramique et les matières plastiques. Les outils électroportatifs avec régulation électronique et réversibilité rotation droite/gauche sont également appropriés pour le vissage.

Éléments constitutifs

La numérotation des éléments se réfère à la représentation de l'outil électroportatif sur la page graphique.

- (1) Mandrin ONECHUCK
 - (2) Porte-outil ONECHUCK
 - (3) Pare-poussière
 - (4) Bague avant
 - (5) Bague arrière
 - (6) Amortissement des vibrations
 - (7) Bouton de déverrouillage de la batterie^{a)}
 - (8) Sélecteur de sens de rotation
 - (9) Poignée (surface de prise en main isolée)
 - (10) Interrupteur Marche/Arrêt
 - (11) Batterie^{a)}
 - (12) Bouton de déverrouillage du sélecteur stop de rotation/stop de frappe
 - (13) Sélecteur stop de frappe/stop de rotation
 - (14) LED d'éclairage
 - (15) Bouton de réglage de la butée de profondeur
 - (16) Poignée auxiliaire (surface de prise en main isolée)
 - (17) Butée de profondeur
 - (18) Porte-embout universel avec adaptateur SDS plus^{a)}
 - (19) Porte-embout universel avec queue cylindrique ou queue six pans^{a)}
 - (20) Points de fixation de la sécurité antichute sur l'outil électroportatif
 - (21) Sécurité antichute^{b)}
 - (22) Point d'ancrage fixe de la sécurité antichute^{b)}
- a) Ces accessoires ne sont pas compris dans la fourniture.
b) Cet accessoire n'est pas fourni et ne fait pas partie de la gamme d'accessoires Bosch.

Caractéristiques techniques

Marteau perforateur sans fil		GBH 18V-18 X
Référence		3 611 J27 1..
Tension nominale	V=	18
Régime nominal ^{A)}	tr/min	900
Fréquence de frappe ^{A)}	min ⁻¹	5 000
Porte-outil		- SDS plus - cylindrique - Six pans
Plage de serrage du mandrin (pour forets à queue cylindrique)	mm	6–10
Ø de perçage maxi		
- Béton	mm	18

Marteau perforateur sans fil		GBH 18V-18 X
- Acier	mm	10
- Bois	mm	18
Poids ^{B)}	kg	2,2 kg (1,5 Ah)– 3,2 kg (12,0 Ah)
Températures ambiantes recommandées pour la charge	°C	0 ... +35
Températures ambiantes autorisées pendant l'utilisation ^{C)} et pour le stockage	°C	-20 ... +50
Batteries compatibles		GBA 18V... ProCORE18V...
Chargeurs recommandés		GAL 18... GAX 18... GAL 36...

A) Mesuré à 20–25 °C avec accu **GBA 18V 4.0Ah**.

B) selon l'accumulateur utilisé

C) performances réduites à des températures < 0 °C

Caractéristiques techniques déterminées avec l'accu fourni.

Les valeurs peuvent varier selon le produit, les conditions d'utilisation et les conditions ambiantes. Pour plus d'informations, rendez-vous sur www.bosch-professional.com/wac.

Accu

Bosch vend ses outils électroportatifs sans-fil aussi sans accu. Il est indiqué sur l'emballage si un accu est fourni ou non avec l'outil électroportatif.

Recharge de l'accu

► **N'utilisez que les chargeurs indiqués dans les Caractéristiques techniques.** Seuls ces chargeurs sont adaptés à l'accu Lithium-Ion de votre outil électroportatif.

Remarque : Les dispositions internationales en vigueur pour le transport de marchandises obligent à livrer les accus Lithium-Ion partiellement chargés. Pour que les accus soient pleinement performants, chargez-les complètement avant leur première utilisation.

Mise en place de l'accu

Insérez l'accu dans le compartiment à accu jusqu'à ce qu'il s'enclenche.

Retrait de l'accu



Pour retirer l'accu, appuyez sur le bouton de déverrouillage de l'accu et sortez l'accu de l'outil électroportatif. **Ne forcez pas.**

L'accu dispose d'un double verrouillage permettant d'éviter qu'il tombe si vous appuyez par mégarde sur le bouton de déverrouillage d'accu. Tant que l'accu est en place dans l'outil électroportatif, un ressort le maintient en position.

Indicateur de niveau de charge de l'accu

Remarque : Tous les types d'accu ne possèdent pas d'indicateur d'état de charge.

Les LED vertes de l'indicateur d'état de charge indiquent le niveau de charge de la batterie. Pour des raisons de sécurité, il n'est possible d'afficher l'état de charge que quand l'outil électroportatif est à l'arrêt.

Pour afficher le niveau de charge, appuyez sur le bouton de l'indicateur de niveau de charge  ou . L'affichage du niveau de charge est également possible après retrait de l'accu.

Si aucune LED ne s'allume après avoir appuyé sur le bouton de l'indicateur de niveau de charge, la batterie est défectueuse et doit être remplacée.

Batterie de type GBA 18V...



LED	Capacité
Allumage permanent en vert de 3 LED	60–100 %
Allumage permanent en vert de 2 LED	30–60 %
Allumage permanent en vert de 1 LED	5–30 %
Clignotement en vert de 1 LED	0–5 %

Batterie de type ProCORE18V...



LED	Capacité
Allumage permanent en vert de 5 LED	80–100 %
Allumage permanent en vert de 4 LED	60–80 %
Allumage permanent en vert de 3 LED	40–60 %
Allumage permanent en vert de 2 LED	20–40 %
Allumage permanent en vert de 1 LED	5–20 %
Clignotement en vert de 1 LED	0–5 %

Indications pour une utilisation optimale de la batterie

Protégez l'accu de l'humidité et de l'eau.

Ne stockez l'accu que dans la plage de températures de –20 à 50 °C. Ne laissez par ex. pas l'accu dans une voiture en plein été.

Nettoyez de temps en temps les orifices de ventilation de l'accu à l'aide d'un pinceau doux, propre et sec.

Une baisse notable de l'autonomie de l'accu au fil des recharges effectuées indique que l'accu est arrivé en fin de vie et qu'il doit être remplacé.

Respectez les indications concernant l'élimination.

Montage

- **Retirez systématiquement la batterie avant toute intervention sur l'outil électroportatif (maintenance, changement d'accessoire, etc.).** Il y a sinon risque de blessure si vous appuyez par mégarde sur l'interrupteur Marche/Arrêt.

Poignée supplémentaire

- **N'utilisez pas l'outil électroportatif sans la poignée supplémentaire (16).**
- **Assurez-vous que la poignée supplémentaire est bien serrée.** Vous risquez sinon de perdre le contrôle de l'outil électroportatif.

Pivotement de la poignée supplémentaire (voir figure A)

La poignée supplémentaire (16) peut être orientée dans n'importe quelle position, pour obtenir une position de travail sûre et peu fatigante.

- Tournez la poignée supplémentaire (16) dans le sens antihoraire et orientez la poignée supplémentaire (16) dans la position souhaitée. Resserrez ensuite la poignée supplémentaire (16) en la tournant dans le sens horaire. Veillez à ce que le collier de serrage de la poignée supplémentaire se trouve bien dans la rainure du carter prévue à cet effet.

Changement d'accessoire



Le mandrin ONECHUCK permet d'utiliser facilement des accessoires SDS plus, des accessoires à queue cylindrique ou à queue six-pans sans avoir besoin d'autres outils et sans avoir à changer de mandrin.

Le capuchon anti-poussière (3) empêche dans une large mesure la poussière de pénétrer dans le porte-outil pendant l'utilisation de l'outil électroportatif. Lors du montage de l'accessoire de travail, veillez à ne pas endommager le capuchon anti-poussière (3).

- **Remplacez immédiatement le capuchon anti-poussière s'il est endommagé. Il est recommandé de faire effectuer ce travail dans un centre de service après-vente.**

Changement d'accessoire (SDS plus)

Mise en place d'un accessoire de travail SDS plus (voir figures B1–B2)

- Tenez fermement la bague arrière (5) du mandrin avec une main. Ouvrez complètement le porte-outil avec l'autre main en tournant la bague avant (4).
- Nettoyez l'extrémité de l'accessoire de travail SDS plus et graissez-la légèrement.
- Introduisez l'accessoire SDS plus dans le porte-outil en le tournant jusqu'à ce qu'il se verrouille automatiquement.
- Vérifiez le bon verrouillage de l'accessoire en tirant dessus.

Avec ce système de fixation, l'accessoire de travail SDS plus dispose d'une certaine liberté de mouvement. Il en résulte lors de la rotation à vide une excentricité qui n'a aucune incidence sur l'exactitude du perçage puisque le foret se centre automatiquement pendant le perçage.

Retrait d'un accessoire de travail SDS plus (voir figure B3)

- Poussez la bague arrière (5) vers l'arrière et sortez l'accessoire de travail SDS plus.

Changement d'accessoire de travail (à queue cylindrique ou queue six pans)

Mise en place d'un accessoire de travail (voir figure C1)

Remarque : N'utilisez pas de forets sans queue SDS plus pour perforeur ! Les forets sans queue SDS plus et le mandrin seraient endommagés lors des travaux de perforation.

Remarque : N'utilisez des accessoires à queue cylindrique ou à queue six pans que dans le mode perçage.

► **Ne fermez pas le mandrin en mettant en marche l'outil électroportatif.** Le foret pourrait être éjecté, projeté en l'air et causer des blessures.

Remarque : N'utilisez que des accessoires avec queue cylindrique ou queue six pans d'un diamètre de 6 à 10 mm.

- Tournez le sélecteur stop de rotation/de frappe (13) dans la position « Perçage ».
- Tenez fermement la bague arrière (5) du mandrin avec une main. De l'autre main, ouvrez le porte-outil en tournant la bague avant (4) jusqu'à ce que l'accessoire puisse être introduit.
- Insérez dans le mandrin l'accessoire à queue cylindrique ou six pans.
- Maintenez en position la bague arrière (5) avec une main et tournez fermement la bague avant (4) dans le sens de la flèche avec l'autre main, jusqu'à entendre un clic franc.
- Vérifiez que l'accessoire est bien fixé en tirant dessus.

N'insérez l'accessoire de travail que quand l'outil électroportatif est éteint.

Retrait d'un accessoire de travail (voir figure C2)

- Tenez fermement la bague arrière (5) du mandrin avec une main. De l'autre main, ouvrez le porte-outil en tournant la bague avant (4) dans le sens de la flèche jusqu'à ce que l'accessoire puisse être retiré.
- Retirez l'accessoire.

► **N'ouvrez pas le mandrin en mettant en marche l'outil électroportatif.** Le foret pourrait être éjecté, projeté en l'air et causer des blessures.

Aspiration de poussières/de copeaux

Les poussières de matériaux tels que peintures contenant du plomb, certains bois, minéraux ou métaux, peuvent être nuisibles à la santé. Le contact avec les poussières ou leur inhalation peut entraîner des réactions allergiques et/ou des maladies respiratoires auprès de l'utilisateur ou des personnes se trouvant à proximité.

Certaines poussières telles que les poussières de chêne ou de hêtre sont considérées comme cancérogènes, surtout en association avec des additifs pour le traitement du bois (chromate, lasure). Les matériaux contenant de l'amiante ne doivent être travaillés que par des personnes qualifiées.

- Si possible, utilisez un dispositif d'aspiration des poussières approprié au matériau.
- Veillez à bien aérer la zone de travail.
- Il est recommandé de porter un masque respiratoire avec un niveau de filtration de classe P2.

Respectez les règlements spécifiques aux matériaux à traiter en vigueur dans votre pays.

► **Évitez toute accumulation de poussières sur le lieu de travail.** Les poussières peuvent facilement s'enflammer.

Fonctionnement

Mise en marche

Sélection d'un mode de fonctionnement

Sélectionnez le mode de fonctionnement voulu de l'outil électroportatif avec le sélecteur stop de rotation/de frappe (13).

- Pour changer de mode de fonctionnement, appuyez sur le bouton de déverrouillage (12) et tournez le sélecteur stop de rotation/de frappe (13) dans la position voulue jusqu'à ce qu'il s'enclenche.

Remarque : ne changez de mode de fonctionnement que lorsque l'outil électroportatif est éteint ! Vous risqueriez d'endommager l'outil électroportatif.



Position pour **perforer** dans le béton et dans la pierre naturelle



Position pour **percer** sans percussion dans le bois, le métal, la céramique ou les matières plastiques ainsi que pour **visser**

Sélection du sens de rotation (voir figure D)

Le sélecteur de sens de rotation (8) permet d'inverser le sens de rotation de l'outil électroportatif. Cela n'est toutefois pas possible lorsque l'on appuie sur l'interrupteur Marche/Arrêt (10).

► **N'actionnez le sélecteur de sens de rotation (8) que quand l'outil électroportatif est à l'arrêt.**

Sélectionnez toujours la rotation droite pour les travaux de perforation et de perçage.

- **Rotation droite :** Pour percer et visser, poussez le sélecteur de sens de rotation (8) jusqu'en butée vers la gauche.
- **Rotation gauche :** Pour desserrer ou dévisser des vis et des écrous, poussez le sélecteur de sens de rotation (8) à fond vers la droite.

Remarque : Quand le sélecteur de sens de rotation se trouve en position médiane, l'interrupteur Marche/Arrêt est bloqué.

Mise en marche/arrêt

- Pour **mettre en marche** l'outil électroportatif, appuyez sur l'interrupteur Marche/Arrêt (10).

La LED (14) s'allume dès que l'interrupteur Marche/Arrêt (10) est enfoncé légèrement ou complètement. Elle permet d'éclairer la zone de travail dans les endroits sombres.

- Pour **arrêter** l'outil électroportatif, relâchez l'interrupteur Marche/Arrêt (10).

À basses températures, l'outil électroportatif n'atteint sa pleine puissance de percussion/capacité de frappe qu'au bout d'un certain temps.

Réglage de la vitesse de rotation/de la fréquence de frappe

Vous pouvez modifier en continu la vitesse de rotation/fréquence de frappe de l'outil électroportatif en jouant sur la pression exercée sur l'interrupteur Marche/Arrêt (10).

Une légère pression sur l'interrupteur Marche/Arrêt (10) produit une faible vitesse de rotation/fréquence de frappe. Plus l'on exerce de pression, plus la vitesse de rotation/la fréquence de frappe augmente.

Instructions d'utilisation

Réglage de la profondeur de perçage (voir figure E)

La butée de profondeur (17) permet de régler la profondeur de perçage **X** désirée.

- Appuyez sur le bouton de réglage de butée de profondeur (15) et insérez la butée de profondeur dans la poignée auxiliaire (16).

Le striage de la butée de profondeur (17) doit être orienté vers le bas.

- Introduisez le foret SDS plus jusqu'en butée dans le porte-outil SDS plus. Le réglage de la profondeur de perçage risque sinon d'être faussé si le foret SDS plus bouge.
- Déplacez la butée de profondeur jusqu'à ce que l'écart entre l'extrémité du foret et l'extrémité de la butée de profondeur corresponde à la profondeur de perçage **X** souhaitée.

Couple de surcharge

- ▶ **Dès que l'accessoire de travail se coince ou qu'il s'accroche, l'entraînement de la broche est interrompu. En raison des forces intervenant, tenez toujours l'outil électroportatif fermement avec les deux mains et ayez une position ferme.**
- ▶ **Si l'outil électroportatif est bloqué, éteignez-le et desserrez l'outil de travail. Lorsqu'on met l'appareil en marche, l'outil de travail étant bloqué, il peut y avoir de fortes réactions.**

Dispositif d'arrêt rapide (KickBack Control)



Le dispositif d'arrêt rapide (KickBack Control) améliore la maîtrise de l'outil électroportatif et donc la sécurité d'utilisation par rapport aux outils électroportatifs sans KickBack Control.

L'outil électroportatif s'arrête immédiatement dès qu'il se met subitement, et de façon imprévisible, à tourner autour de l'axe du foret.

- Pour **remettre en marche** l'outil électroportatif, relâchez l'interrupteur Marche/Arrêt (10) et actionnez-le à nouveau.

L'activation du dispositif d'arrêt rapide est signalée par le clignotement de l'éclairage (14) sur l'outil électroportatif.

Dispositif d'amortissement des vibrations



Le dispositif intégré d'amortissement des vibrations (Vibration Control) réduit les vibrations générées en cours

d'utilisation.

- ▶ **Ne continuez pas à utiliser l'outil électroportatif si l'élément d'amortissement est endommagé.**

Constante électronique



La constante électronique maintient la vitesse de rotation constante à vide et dans certaines conditions de charge. Elle assure un fonctionnement et un mélange régulier.

Montage d'embouts de vissage (voir figure F)

- ▶ **Positionnez l'outil électroportatif sur la vis/sur l'écrou seulement lorsqu'il est à l'arrêt.** Un accessoire en rotation risque de glisser.

Pour pouvoir utiliser des embouts de vissage, il y a besoin d'un porte-embout universel avec adaptateur SDS plus (18) ou d'un porte-embout universel avec queue cylindrique ou queue six pans (19).

Mise en place du porte-embout universel avec adaptateur SDS plus

- Nettoyez l'extrémité de l'adaptateur SDS plus et graissez-le légèrement.
- Introduisez le porte-embout universel (18) dans le porte-outil en le tournant jusqu'à ce qu'il se verrouille automatiquement.
- Vérifiez le bon verrouillage du porte-embout en tirant dessus.
- Insérez un embout de vissage dans le porte-embout universel (18). Choisissez l'embout de vissage qui correspond exactement à l'empreinte de la tête de vis.
- Pour extraire le porte-embout universel (18), poussez la bague de verrouillage vers l'arrière et retirez le porte-embout universel du porte-outil.

Mise en place du porte-embout universel avec queue cylindrique ou queue six pans

- Insérez le porte-embout universel avec queue cylindrique ou queue six pans (19). Procédez pour cela comme pour la mise en place d'un accessoire de travail (voir « Mise en place d'un accessoire de travail (voir figure C1) », Page 18).
- Vérifiez le bon verrouillage du porte-embout universel (19) en tirant dessus.
- Insérez un embout de vissage dans le porte-embout universel (19). Choisissez l'embout de vissage qui correspond exactement à l'empreinte de la tête de vis.
- Pour retirer le porte-embout universel (19), procédez pour cela comme pour le retrait d'un accessoire de travail (voir « Retrait d'un accessoire de travail (voir figure C2) », Page 18).

Fixation de la sécurité antichute (voir figure G)

Remarque : Pour protéger l'outil électroportatif contre un risque de chute, utilisez un moyen de sécurité antichute (21) approprié. La longueur maximale admissible de la sécurité antichute est de **1,8 m**. Respectez impérativement la zone de fixation admissible (20) sur l'outil électroportatif.

Utilisez de préférence comme sécurité antichute une sangle ou longe fixée avec un anneau ou bien une sécurité antichute avec absorbeur d'énergie.

Pour la fixation de la sécurité antichute (21), respectez à tout prix les indications de cette notice d'utilisation.

- **Fixez l'autre extrémité de la sécurité antichute à une structure stable (p. ex. bâtiment ou échafaudage) et jamais à un vêtement ou à votre poignet. La sécurité antichute doit offrir une bonne liberté de mouvement et ne doit être fixée qu'à un point d'ancrage fixe (22) et au niveau de la zone de fixation admissible (20) de l'outil électroportatif. Sélectionnez le point d'ancrage fixe (22) de façon à ce qu'en cas de chute l'outil électroportatif soit retenu par la sécurité antichute sans s'enrouler autour de l'utilisateur et sans le mettre en danger ou risquer de le blesser. N'utilisez jamais la sécurité antichute quand le dispositif d'aspiration est monté sur l'outil électroportatif.**

Entretien et Service après-vente

Nettoyage et entretien

- **Retirez systématiquement la batterie avant toute intervention sur l'outil électroportatif (maintenance, changement d'accessoire, etc.).** Il y a sinon risque de blessure si vous appuyez par mégarde sur l'interrupteur Marche/Arrêt.
 - **Toujours tenir propres l'outil électroportatif ainsi que les fentes de ventilation afin d'obtenir un travail impeccable et sûr.**
 - **Remplacez immédiatement le capuchon anti-poussière s'il est endommagé. Il est recommandé de faire effectuer ce travail dans un centre de service après-vente.**
- Nettoyez le porte-outil après chaque utilisation.

Service après-vente et conseil utilisateurs

Notre Service Après-Vente répond à vos questions concernant la réparation et l'entretien de votre produit et les pièces de rechange. Des vues éclatées ainsi que des informations concernant les pièces de rechange se trouvent également sous : www.bosch-pt.com

L'équipe de conseil utilisateurs Bosch se tient à votre disposition pour répondre à vos questions concernant nos produits et leurs accessoires.

Pour toute demande de renseignement ou commande de pièces de rechange, nous préciser impérativement le numéro d'article à dix chiffres indiqué sur la plaque signalétique du produit.

Maroc

Robert Bosch Morocco SARL
53, Rue Lieutenant Mahroud Mohamed
20300 Casablanca
Tel. : +212 5 29 31 43 27
E-Mail : sav.outillage@ma.bosch.com

Vous trouverez d'autres adresses de service sous :

www.bosch-pt.com/serviceaddresses

Transport

Les batteries Lithium-ion recommandées sont soumises aux règlements de transport des matières dangereuses. L'utilisateur peut transporter les batteries par voie routière sans mesures supplémentaires.

Lors d'une expédition par tiers (par ex. : transport aérien ou entreprise de transport), les mesures à prendre spécifiques à l'emballage et au marquage doivent être observées. Dans un tel cas, lors de la préparation de l'envoi, il est impératif de faire appel à un expert en transport des matières dangereuses.

N'expédiez les accumulateurs que si le carter n'est pas endommagé. Recouvrez les contacts à l'air libre et emballez l'accu de manière à ce qu'il ne se déplace pas dans l'emballage. Veuillez également respecter les réglementations supplémentaires éventuellement en vigueur dans votre pays.

Élimination des déchets



Les outils électroportatifs, les accus ainsi que leurs accessoires et emballages doivent être rapportés dans un centre de recyclage respectueux de l'environnement.



Ne jetez pas les outils électroportatifs et les accus/piles avec les ordures ménagères !

Accus/piles :

Li-Ion :

Veuillez respecter les indications se trouvant dans le chapitre Transport (voir « Transport », Page 20).

Português

Instruções de segurança

Instruções gerais de segurança para ferramentas eléctricas

AVISO

Devem ser lidas todas as indicações de segurança,

instruções, ilustrações e especificações desta ferramenta eléctrica. O desrespeito das instruções apresentadas abaixo poderá resultar em choque eléctrico, incêndio e/ou ferimentos graves.

Guarde bem todas as advertências e instruções para futura referência.

O termo "ferramenta eléctrica" utilizado a seguir nas indicações de advertência, refere-se a ferramentas eléctricas operadas com corrente de rede (com cabo de

rede) e a ferramentas eléctricas operadas com acumulador (sem cabo de rede).

Segurança da área de trabalho

- ▶ **Mantenha a sua área de trabalho sempre limpa e bem iluminada.** Desordem ou áreas de trabalho insuficientemente iluminadas podem levar a acidentes.
- ▶ **Não trabalhar com a ferramenta eléctrica em áreas com risco de explosão, nas quais se encontrem líquidos, gases ou pós inflamáveis.** Ferramentas eléctricas produzem faíscas, que podem inflamar pós ou vapores.
- ▶ **Manter crianças e outras pessoas afastadas da ferramenta eléctrica durante a utilização.** No caso de distração é possível que perca o controlo sobre o aparelho.

Segurança eléctrica

- ▶ **A ficha de conexão da ferramenta eléctrica deve caber na tomada. A ficha não deve ser modificada de maneira alguma. Não utilizar uma ficha de adaptação junto com ferramentas eléctricas protegidas por ligação à terra.** Fichas não modificadas e tomadas apropriadas reduzem o risco de um choque eléctrico.
- ▶ **Evitar que o corpo possa entrar em contacto com superfícies ligadas à terra, como tubos, aquecimentos, fogões e frigoríficos.** Há um risco elevado devido a choque eléctrico, se o corpo estiver ligado à terra.
- ▶ **Manter o aparelho afastado de chuva ou humidade.** A infiltração de água numa ferramenta eléctrica aumenta o risco de choque eléctrico.
- ▶ **Não deverá utilizar o cabo para outras finalidades. Nunca utilizar o cabo para transportar a ferramenta eléctrica, para pendurá-la, nem para puxar a ficha da tomada. Manter o cabo afastado do calor, do óleo, de arestas afiadas ou de peças em movimento.** Cabos danificados ou emaranhados aumentam o risco de um choque eléctrico.
- ▶ **Se trabalhar com uma ferramenta eléctrica ao ar livre, só deverá utilizar cabos de extensão apropriados para áreas exteriores.** A utilização de um cabo de extensão apropriado para áreas exteriores reduz o risco de um choque eléctrico.
- ▶ **Se não for possível evitar o funcionamento da ferramenta eléctrica em áreas húmidas, deverá ser utilizado um disjuntor de corrente de avaria.** A utilização de um disjuntor de corrente de avaria reduz o risco de um choque eléctrico.

Segurança de pessoas

- ▶ **Esteja atento, observe o que está a fazer e tenha prudência ao trabalhar com a ferramenta eléctrica. Não utilizar uma ferramenta eléctrica quando estiver fatigado ou sob a influência de drogas, álcool ou medicamentos.** Um momento de descuido ao utilizar a ferramenta eléctrica, pode levar a lesões graves.

- ▶ **Utilizar equipamento de protecção individual. Utilizar sempre óculos de protecção.** A utilização de equipamento de protecção pessoal, como máscara de protecção contra pó, sapatos de segurança antiderrapantes, capacete de segurança ou protecção auricular, de acordo com o tipo e aplicação da ferramenta eléctrica, reduz o risco de lesões.
- ▶ **Evitar uma colocação em funcionamento involuntária. Assegure-se de que a ferramenta eléctrica esteja desligada, antes de conectá-la à alimentação de rede e/ou ao acumulador, antes de levantá-la ou de transportá-la.** Se tiver o dedo no interruptor ao transportar a ferramenta eléctrica ou se o aparelho for conectado à alimentação de rede enquanto estiver ligado, poderão ocorrer acidentes.
- ▶ **Remover ferramentas de ajuste ou chaves de boca antes de ligar a ferramenta eléctrica.** Uma ferramenta ou chave que se encontre numa parte do aparelho em movimento pode levar a lesões.
- ▶ **Evite uma posição anormal. Mantenha uma posição firme e mantenha sempre o equilíbrio.** Desta forma é mais fácil controlar a ferramenta eléctrica em situações inesperadas.
- ▶ **Usar roupa apropriada. Não usar roupa larga nem jóias. Mantenha os cabelos e roupas afastados de peças em movimento.** Roupas frouxas, cabelos longos ou jóias podem ser agarrados por peças em movimento.
- ▶ **Se for possível montar dispositivos de aspiração ou de recolha, assegure-se de que estejam conectados e utilizados correctamente.** A utilização de uma aspiração de pó pode reduzir o perigo devido ao pó.
- ▶ **Não deixe que a familiaridade resultante de uma utilização frequente de ferramentas permita que você se torne complacente e ignore os princípios de segurança da ferramenta.** Uma acção descuidada pode causar ferimentos graves numa fracção de segundo.

Utilização e manuseio cuidadoso de ferramentas eléctricas

- ▶ **Não sobrecarregue a ferramenta eléctrica. Utilize a ferramenta eléctrica apropriada para o seu trabalho.** É melhor e mais seguro trabalhar com a ferramenta eléctrica apropriada na área de potência indicada.
- ▶ **Não utilizar uma ferramenta eléctrica com um interruptor defeituoso.** Uma ferramenta eléctrica que não pode mais ser ligada nem desligada, é perigosa e deve ser reparada.
- ▶ **Puxar a ficha da tomada e/ou remover o acumulador, se amovível, antes de executar ajustes na ferramenta eléctrica, de substituir acessórios ou de guardar as ferramentas eléctricas.** Esta medida de segurança evita o arranque involuntário da ferramenta eléctrica.
- ▶ **Guardar ferramentas eléctricas não utilizadas fora do alcance de crianças e não permitir que as pessoas que não estejam familiarizadas com o aparelho ou que não tenham lido estas instruções utilizem o aparelho.**

Ferramentas eléctricas são perigosas se forem utilizadas por pessoas inexperientes.

- ▶ **Tratar a ferramenta eléctrica e os acessórios com cuidado. Controlar se as partes móveis do aparelho funcionam perfeitamente e não emperram, e se há peças quebradas ou danificadas que possam prejudicar o funcionamento da ferramenta eléctrica. Permitir que peças danificadas sejam reparadas antes da utilização.** Muitos acidentes têm como causa, a manutenção insuficiente de ferramentas eléctricas.
- ▶ **Manter as ferramentas de corte afiadas e limpas.** Ferramentas de corte cuidadosamente tratadas e com cantos de corte afiados emperram com menos frequência e podem ser conduzidas com maior facilidade.
- ▶ **Utilizar a ferramenta eléctrica, acessórios, ferramentas de aplicação, etc. conforme estas instruções. Considerar as condições de trabalho e a tarefa a ser executada.** A utilização de ferramentas eléctricas para outras tarefas a não ser as aplicações previstas, pode levar a situações perigosas.
- ▶ **Mantenha os punhos e as superfícies de agarrar secas, limpas e livres de óleo e massa consistente.** Punhos e superfícies de agarrar escorregadias não permitem o manuseio e controle seguros da ferramenta em situações inesperadas.

Manuseio e utilização cuidadosos de ferramentas com acumuladores

- ▶ **Só carregar acumuladores em carregadores recomendados pelo fabricante.** Há perigo de incêndio se um carregador apropriado para um certo tipo de acumuladores for utilizado para carregar acumuladores de outros tipos.
- ▶ **Só utilizar ferramentas eléctricas com os acumuladores apropriados.** A utilização de outros acumuladores pode levar a lesões e perigo de incêndio.
- ▶ **Manter o acumulador que não está sendo utilizado afastado de cliques, moedas, chaves, parafusos ou outros pequenos objectos metálicos que possam causar um curto-circuito dos contactos.** Um curto-circuito entre os contactos do acumulador pode ter como consequência queimaduras ou fogo.
- ▶ **No caso de aplicação incorrecta pode vaziar líquido do acumulador. Evitar o contacto. No caso de um contacto accidental, deverá enxaguar com água. Se o líquido entrar em contacto com os olhos, também deverá consultar um médico.** Líquido que escapa do acumulador pode levar a irritações da pele ou a queimaduras.
- ▶ **Não use um acumulador ou uma ferramenta danificada ou modificada.** Os acumuladores danificados ou modificados exibem um comportamento imprevisível podendo causar incêndio, explosão ou risco de lesão.
- ▶ **Não exponha o acumulador ou a ferramenta ao fogo ou temperatura excessiva.** A exposição ao fogo ou a temperaturas acima de 130 °C pode causar explosão.

- ▶ **Siga todas as instruções de carregamento e não carregue o acumulador ou a ferramenta fora da faixa de temperatura especificada no manual de instruções.** Carregar indevidamente ou em temperaturas fora da faixa especificada pode danificar o acumulador e aumentar o risco de incêndio.

Serviço

- ▶ **Só permita que o seu aparelho seja reparado por pessoal especializado e qualificado e só com peças de reposição originais.** Desta forma é assegurado o funcionamento seguro do aparelho.
- ▶ **Nunca tente reparar acumuladores danificados.** A reparação de acumuladores deve ser realizada apenas pelo fabricante ou agentes de assistência autorizados.

Instruções de segurança para martelos

Instruções de segurança para todas as operações

- ▶ **Use protetores auditivos.** A exposição ao ruído pode provocar a perda da audição.
- ▶ **Use o(s) punho(s) auxiliar(es), caso seja(m) fornecido(s) com a ferramenta.** A perda de controlo pode resultar em ferimentos pessoais.
- ▶ **Segure a ferramenta eléctrica nas superfícies de agarrar isoladas, ao executar uma operação onde acessórios de corte ou os parafusos possam entrar em contacto com cabos escondidos.** Se o acessório de corte e os parafusos entrarem em contacto com um fio "sob tensão", as partes metálicas expostas da ferramenta eléctrica ficam "sob tensão" e podem produzir um choque eléctrico.

Instruções de segurança ao usar brocas longas com martelos perfuradores

- ▶ **Comece sempre a perfurar a baixa velocidade e com a ponta da broca em contacto com a peça de trabalho.** A velocidades mais altas, a broca pode dobrar-se ao rodar livremente sem entrar em contacto com a peça de trabalho, causando ferimento pessoal.
- ▶ **Aplique pressão apenas em linha directa com a broca e não aplique pressão excessiva.** As brocas podem dobrar-se, causando rutura ou perda de controlo, ou mesmo ferimento pessoal.

Instruções de segurança adicionais

- ▶ **Utilizar detetores apropriados, para encontrar cabos escondidos, ou consulte a companhia eléctrica local.** O contacto com cabos eléctricos pode provocar fogo e choques eléctricos. Danos em tubos de gás podem levar à explosão. A infiltração num cano de água provoca danos materiais.
- ▶ **Espere que a ferramenta eléctrica pare completamente, antes de depositá-la.** A ferramenta de aplicação pode emperrar e levar à perda de controlo sobre a ferramenta eléctrica.
- ▶ **Fixar a peça a ser trabalhada.** Uma peça a ser trabalhada fixa com dispositivos de aperto ou com torno de bancada está mais firme do que segurada com a mão.

- ▶ **Em caso de danos e de utilização incorreta da bateria, podem escapar vapores. A bateria pode incendiar-se ou explodir.** Areje o espaço e procure assistência médica no caso de apresentar queixas. É possível que os vapores irrite as vias respiratórias.
- ▶ **Não altere nem abra o acumulador.** Há perigo de haver um curto-circuito.
- ▶ **Os objetos afiados como, p. ex., pregos ou chaves de fendas, assim como o efeito de forças externas podem danificar o acumulador.** Podem causar um curto-circuito interno e o acumulador pode ficar queimado, deitar fumo, explodir ou sobreaquecer.
- ▶ **Utilize a bateria apenas em produtos do fabricante.** Só assim é que a bateria é protegida contra sobrecarga perigosa.



Proteger a bateria contra calor, p. ex. também contra uma permanente radiação solar, fogo, sujidade, água e humidade. Há risco de explosão ou de um curto-circuito.



- ▶ **Logo a seguir à operação não toque nos acessórios ou em peças da carcaça adjacentes.** Estes podem ficar muito quentes durante a operação e causar queimaduras.
- ▶ **O acessório pode bloquear durante a perfuração. Durante o trabalho, providencie uma estabilidade segura e segure o aparelho com as duas mãos.** Caso contrário poderá perder o controlo sobre a ferramenta elétrica.
- ▶ **Durante o funcionamento, não direcione a ferramenta elétrica para pessoas que se encontrem por perto.** A ferramenta de trabalho pode ser projetada e causar ferimentos graves.
- ▶ **Use sempre um capacete de proteção e uns óculos de proteção ou uma proteção facial.** Óculos comuns ou óculos de sol não são óculos de proteção.
- ▶ **Antes da operação, verifique a ferramenta de trabalho quanto ao assento fixo e seguro.**
- ▶ **Certifique-se de que está numa posição segura. Assegure-se de que não se encontra ninguém por baixo de si, se usar a ferramenta elétrica num local de utilização mais elevado, p. ex. num escadote.**
- ▶ **Não abra nem feche a bucha ligando a ferramenta elétrica.** A broca pode ser projetada, existe perigo de ferimentos.
- ▶ **Durante o funcionamento, não direcione a ferramenta elétrica para pessoas que se encontrem por perto.** A ferramenta de trabalho pode ser projetada e causar ferimentos graves.
- ▶ **Use sempre um capacete de proteção e uns óculos de proteção ou uma proteção facial.** Óculos comuns ou óculos de sol não são óculos de proteção.
- ▶ **Antes da operação, verifique a ferramenta de trabalho quanto ao assento fixo e seguro.**
- ▶ **Certifique-se de que está numa posição segura. Assegure-se de que não se encontra ninguém por**

baixo de si, se usar a ferramenta elétrica num local de utilização mais elevado, p. ex. num escadote.

- ▶ **Não abra nem feche a bucha ligando a ferramenta elétrica.** A broca pode ser projetada, existe perigo de ferimentos.
- ▶ **Durante o trabalho, segure a ferramenta elétrica com as duas mãos e providencie uma estabilidade segura.** A ferramenta elétrica é conduzida com maior segurança com ambas as mãos.

Descrição do produto e do serviço



Leia todas as instruções de segurança e instruções. A inobservância das instruções de segurança e das instruções pode causar choque elétrico, incêndio e/ou ferimentos graves.

Respeite as figuras na parte da frente do manual de instruções.

Utilização adequada

A ferramenta elétrica é adequada para furar com percussão em betão, tijolo e pedra. Também é apropriada para furar sem impacto em madeira, metal, cerâmica e plástico. As ferramentas elétricas com regulação eletrónica e rotação à direita/esquerda também são apropriadas para aparafusar.

Componentes ilustrados

A numeração dos componentes ilustrados refere-se à apresentação da ferramenta elétrica na página de esquemas.

- (1) Bucha ONECHUCK
- (2) Encabadouro da ferramenta ONECHUCK
- (3) Capa de proteção contra pó
- (4) Bucha dianteira
- (5) Bucha traseira
- (6) Amortecimento das vibrações
- (7) Tecla de desbloqueio da bateria^{a)}
- (8) Comutador do sentido de rotação
- (9) Punho (superfície do punho isolada)
- (10) Interruptor de ligar/desligar
- (11) Bateria^{a)}
- (12) Tecla de desbloqueio para interruptor de bloqueio de rotação/impacto
- (13) Interruptor de bloqueio de rotação/impacto
- (14) Luz de trabalho
- (15) Tecla para ajuste do batente de profundidade
- (16) Punho adicional (superfície do punho isolada)
- (17) Batente de profundidade
- (18) Porta-bits universal com adaptador SDS plus^{a)}
- (19) Porta-bits universal com encabadouro cilíndrico ou encabadouro sextavado^{a)}

- (20) Área de fixação do equipamento de proteção contra queda na ferramenta elétrica
- (21) Equipamento de proteção contra queda^{b)}
- (22) Ponto de ancoragem fixo do equipamento de proteção contra queda^{b)}

- a) **Este acessório não pertence ao volume de fornecimento.**
- b) **Este acessório não pertence ao volume de fornecimento, nem ao programa de acessórios Bosch.**

Dados técnicos

Martelo perfurador sem fio		GBH 18V-18 X
Número de produto		3 611 J27 1..
Tensão nominal	V=	18
Rotações nominais ^{A)}	r.p.m.	900
N.º de impactos ^{A)}	i.p.m.	5000
Encabadouro da ferramenta		- SDS plus - Cilíndrico - Sextavado
Amplitude de aperto da bucha com encabadouros cilíndricos	mm	6–10
Ø máx. de perfuração		
- Betão	mm	18
- Aço	mm	10
- Madeira	mm	18
Peso ^{B)}	kg	2,2 kg (1,5 Ah)– 3,2 kg (12,0 Ah)
Temperatura ambiente recomendada durante o carregamento	°C	0 ... +35
Temperatura ambiente admissível em funcionamento ^{C)} e durante o armazenamento	°C	-20 ... +50
Baterias compatíveis		GBA 18V... ProCORE18V...
Carregadores recomendados		GAL 18... GAX 18... GAL 36...

A) Medido a 20–25 °C com bateria **GBA 18V 4.0Ah**.

B) dependendo da bateria utilizada

C) potência limitada perante temperaturas < 0 °C

Dados técnicos averiguados com o acumulador fornecido.

Os valores podem variar em função do produto e estar sujeitos a condições de aplicação e do meio ambiente. Para mais informações consulte www.bosch-professional.com/wac.

Bateria

Bosch vende ferramentas elétricas sem fio também sem bateria. Pode consultar na embalagem se está incluída uma bateria no volume de fornecimento da sua ferramenta elétrica.

Carregar a bateria

- **Utilize apenas os carregadores listados nos dados técnicos.** Só estes carregadores são apropriados para as baterias de lítio utilizadas para a sua ferramenta elétrica.

Nota: devido a normas de transporte internacionais, as baterias de lítio são fornecidas parcialmente carregadas. Para assegurar a completa potência da bateria, a bateria deverá ser carregada completamente antes da primeira utilização.

Colocar a bateria

Insira a bateria carregada no respetivo encaixe, até que esta esteja engatada.

Retirar a bateria

Para retirar a bateria, pressione a respetiva tecla de desbloqueio e puxe a bateria para fora. **Não empregue força.**

A bateria possui 2 níveis de travamento, que devem evitar, que a bateria caia, caso a tecla de desbloqueio da bateria seja premida por acaso. Enquanto a bateria estiver dentro da ferramenta elétrica, ela é mantida em posição por uma mola.

Indicador do nível de carga da bateria

Nota: Nem todos os tipos de bateria dispõem de um indicador do nível de carga de bateria.

Os LEDs verdes do indicador do nível de carga da bateria indicam o nível de carga da bateria. Por motivos de segurança, a consulta do nível de carga só é possível com a ferramenta elétrica parada.

Prima a tecla para o indicador do nível de carga da bateria ou para visualizar o nível de carga. Isto também é possível com a bateria removida.

Se, depois de premir a tecla para o indicador do nível de carga da bateria, não se acender qualquer LED, a bateria tem defeito e tem de ser substituída.

Tipo de bateria GBA 18V...



LED	Capacidade
Luz permanente 3 × verde	60–100 %
Luz permanente 2 × verde	30–60 %
Luz permanente 1 × verde	5–30 %
Luz intermitente 1 × verde	0–5 %

Tipo de bateria ProCORE18V...



LED	Capacidade
Luz permanente 5 × verde	80–100 %
Luz permanente 4 × verde	60–80 %

LED	Capacidade
Luz permanente 3 × verde	40–60 %
Luz permanente 2 × verde	20–40 %
Luz permanente 1 × verde	5–20 %
Luz intermitente 1 × verde	0–5 %

Indicações sobre o manuseio ideal da bateria

Proteger a bateria contra humidade e água.

Armazene a bateria apenas na faixa de temperatura de -20 °C a 50 °C. Por exemplo, não deixe a bateria dentro do automóvel no verão.

Limpar de vez em quando as aberturas de ventilação da bateria com um pincel macio, limpo e seco.

Um tempo de funcionamento reduzido após o carregamento indica que a bateria está gasta e que deve ser substituída.

Observe as indicações sobre a eliminação de forma ecológica.

Montagem

- ▶ **Antes de qualquer trabalho na ferramenta elétrica (p. ex. manutenção, troca de ferramenta, etc.) retire a bateria da mesma.** Há perigo de ferimentos se o interruptor de ligar/desligar for acionado involuntariamente.

Punho adicional

- ▶ **Utilize a ferramenta elétrica apenas com o punho adicional (16).**
- ▶ **Certifique-se de que o punho adicional está sempre bem apertado.** Caso contrário poderá perder o controlo sobre a ferramenta durante o trabalho.

Virar o punho adicional (ver figura A)

Pode virar o punho adicional (16) à sua vontade, para obter uma posição de trabalho segura e sem fadiga.

- Rode a peça do punho do punho adicional (16) para a esquerda e vire o punho adicional (16) para a posição desejada. A seguir, volte a apertar a peça de punho inferior do punho adicional (16) para a direita. Observe que a cinta de aperto do punho adicional esteja na ranhura prevista para tal, que se encontra na carcaça da ferramenta.

Troca de ferramenta



Com a bucha ONECHUCK pode utilizar acessórios SDS plus, acessórios cilíndricos e sextavados de forma simples e confortável sem utilizar ferramentas adicionais ou trocar a bucha.

A capa de proteção contra pó (3) evita consideravelmente que penetre pó de perfuração no encabadoiro durante o funcionamento. Ao introduzir a ferramenta, certifique-se de que a capa de proteção contra pó (3) não é danificada.

- ▶ **Uma capa de proteção contra pó danificada deve ser substituída imediatamente. Recomendamos que o faça no Serviço de Assistência Técnica.**

Troca de ferramenta (SDS plus)

Inserir o acessório SDS plus (ver figuras B1–B2)

- Segure a bucha traseira (5) da bucha com uma mão. Com a outra mão, abra o encabadoiro da ferramenta rodando totalmente a bucha dianteira (4).

- Limpe a haste de encaixe do acessório SDS plus e lubrifique ligeiramente.

- Introduza o acessório SDS plus no encabadoiro da ferramenta, girando até travar-se automaticamente.

- Verifique o bloqueio puxando a ferramenta.

O acessório SDS plus pode ser movida livremente condicionada pelo sistema. Por causa disso, ocorre um desvio de rotação em vazio. Isto não tem qualquer influência na precisão do furo, uma vez que a broca se autocentra ao furar.

Retirar o acessório SDS plus (ver figura B3)

- Empurre a bucha traseira (5) para trás e retire o acessório SDS plus.

Troca de ferramenta (encabadoiro cilíndrico, sextavado)

Introduzir a ferramenta de trabalho (ver figura C1)

Nota: não use ferramentas sem SDS plus para furar com martelo! As ferramentas sem SDS plus e as respetivas buchas são danificadas ao furar com .

Nota: só utilize ferramentas com encabadoiro cilíndrico ou encabadoiro sextavado no modo de operação Perfurar.

- ▶ **Não feche a bucha ligando a ferramenta elétrica .** A broca pode ser projetada, existe perigo de ferimentos.

Nota: utilize exclusivamente ferramentas de trabalho com encabadoiro cilíndrico ou encabadoiro sextavado com um diâmetro de encabadoiro de 6 a 10 mm.

- Rode o interruptor de bloqueio de rotação/impacto (13) para a posição "Furar".
- Segure a bucha traseira (5) da bucha com uma mão. Com a outra mão, abra o encabadoiro da ferramenta rodando a bucha dianteira (4) até ser possível introduzir a ferramenta de trabalho.
- Insira a ferramenta de trabalho cilíndrica ou sextavada na bucha.
- Segure a bucha traseira (5) com uma mão e rode com força a bucha dianteira (4) com a outra mão no sentido da seta, até se ouvir claramente um clique.
- Puxar a ferramenta para verificar se está firme.

Só insira a ferramenta de trabalho quando a ferramenta elétrica estiver desligada.

Retirar a ferramenta de trabalho (ver figura C2)

- Segure a bucha traseira (5) da bucha com uma mão. Com a outra mão, abra o encabadoiro da ferramenta rodando a bucha dianteira (4) no sentido da seta, até ser possível retirar a ferramenta de trabalho.
- Retire a ferramenta de trabalho.

- ▶ **Não abra a bucha ligando a ferramenta elétrica.** A broca pode ser projetada, existe perigo de ferimentos.

Aspiração de pó/de aparas

Pós de materiais como por exemplo, tintas que contém chumbo, alguns tipos de madeira, minerais e metais, podem ser nocivos à saúde. O contacto ou a inalação dos pós pode provocar reações alérgicas e/ou doenças nas vias respiratórias do utilizador ou das pessoas que se encontrem por perto.

Certos pós, como por exemplo pó de carvalho e faia são considerados como sendo cancerígenos, especialmente quando juntos com substâncias para o tratamento de madeiras (cromato, produtos de proteção da madeira). Material que contém asbesto só deve ser processado por pessoal especializado.

- Se possível deverá usar um dispositivo de aspiração de pó apropriado para o material.
- Assegurar uma boa ventilação do local de trabalho.
- É recomendável usar uma máscara de proteção respiratória com filtro da classe P2.

Observe as diretivas para os materiais a serem processados, vigentes no seu país.

- ▶ **Evite a acumulação de pó no local de trabalho.** Pós podem entrar levemente em ignição.

Funcionamento

Colocação em funcionamento

Ajustar o modo de operação

Com o interruptor de bloqueio de rotação/impacto (13) seleciona o modo de operação da ferramenta elétrica.

- Para mudar o modo de operação pressione a tecla de desbloqueio (12) e rode o interruptor de bloqueio de rotação/impacto (13) para a posição desejada, até ele engatar de forma audível.

Nota: mude o modo de operação apenas com a ferramenta elétrica desligada! Caso contrário a ferramenta elétrica pode ficar danificada.



Posição para **furar com martelo** em betão ou pedra



Posição para **furar** sem impacto em madeira, metal, cerâmica e plástico, bem como para **aparafusar**

Ajustar o sentido de rotação (ver figura D)

Com o comutador de sentido de rotação (8) é possível alterar o sentido de rotação da ferramenta elétrica. Com o interruptor de ligar/desligar pressionado (10) isto, no entanto, não é possível.

- ▶ **Acione o comutador do sentido de rotação (8) apenas com a ferramenta elétrica parada.**

Ajuste o sentido de rotação para furar com martelo e furar sempre na rotação à direita.

- **Rotação à direita:** Para furar e apertar parafusos prima o comutador do sentido de rotação (8) completamente para a esquerda.
- **Rotação à esquerda:** Para soltar ou retirar os parafusos e porcas pressione o comutador do sentido de rotação (8) para a direita até ao batente.

Nota: se o comutador do sentido de rotação ficar na posição central, o interruptor de ligar/desligar está bloqueado.

Ligar/desligar

- Para **ligar** a ferramenta elétrica, prima o interruptor de ligar/desligar (10).

A luz de trabalho (14) acende-se com o interruptor de ligar/desligar (10) completamente ou ligeiramente premido e permite iluminar o local de trabalho em caso de condições de iluminação desfavoráveis.

- Para **desligar** a ferramenta elétrica, liberte o interruptor de ligar/desligar (10).

No caso de temperaturas baixas, a ferramenta elétrica só atinge o seu poder de martelar/impacto completo após algum tempo.

Ajustar o número de rotações/impactos

Pode regular o número de rotações/impactos da ferramenta elétrica ligada de forma contínua, consoante a pressão que faz no interruptor de ligar/desligar (10).

Uma leve pressão sobre o interruptor de ligar/desligar (10) proporciona um número de rotações/impactos baixo. Aumentando a pressão, é aumentado o n.º de rotações/impactos.

Instruções de trabalho

Ajustar a profundidade de perfuração (ver figura E)

Com o batente de profundidade (17) é possível determinar a profundidade de perfuração X desejada.

- Pressione a tecla para o ajuste do batente de profundidade (15) e coloque o batente de profundidade no punho adicional (16).
As estrias no batente de profundidade (17) têm de ficar viradas para baixo.
- Empurre o acessório SDS plus até ao batente no encabadouro SDS plus. Caso contrário, a mobilidade da ferramenta de trabalho SDS plus pode causar o ajuste errado da profundidade de perfuração.
- Puxe o batente de profundidade para fora até a distância entre a ponta da broca e a ponta do batente de profundidade corresponder à profundidade de perfuração X desejada.

Binário de sobrecarga

- ▶ **Se o acessório emperrar ou pender, a força motriz do veio da broca é interrompida. Devido às forças que se formam, segure sempre a ferramenta elétrica bem com as duas mãos e coloque-se sobre uma base estável.**

- ▶ **Desligue a ferramenta elétrica e solte o acessório se a ferramenta elétrica encravar. Ao ligar o aparelho com uma broca bloqueada são produzidos altos momentos de reação.**

Desligamento rápido (KickBack Control)



O desligamento rápido (KickBack Control) oferece um melhor controlo sobre a ferramenta elétrica e aumenta assim a proteção do utilizador comparativamente a ferramentas elétricas sem KickBack Control. Em caso de uma rotação repentina e imprevista da ferramenta elétrica sobre o eixo de perfuração, a ferramenta elétrica desliga-se.

- Para **voltar a colocar em funcionamento** solte o interruptor de ligar/desligar **(10)** e volte a acioná-lo.

Um desligamento rápido é indicado através do piscar da luz de trabalho **(14)** na ferramenta elétrica.

Amortecimento das vibrações



O amortecimento das vibrações integrado reduz a ocorrência de vibrações.

- ▶ **Não continue a usar a ferramenta elétrica se o elemento amortecedor estiver danificado.**

Constant-electronic



O sistema de eletrónica constante mantém um número de rotações constante na marcha em vazio e com determinadas condições de carga. Isso garante um rendimento de trabalho constante.

Introduzir as pontas de aparafusar (ver figura F)

- ▶ **Utilizar os punhos adicionais fornecidos com a ferramenta elétrica.** A perda de controlo sobre a ferramenta elétrica pode levar a lesões.

Para a utilização de pontas de aparafusar necessita de um porta-bits universal com adaptador SDS plus **(18)** ou de um porta-bits universal com encabadouro cilíndrico ou encabadouro sextavado **(19)**.

Colocar o porta-bits universal com adaptador SDS plus

- Limpe a haste de encaixe do adaptador e lubrifique levemente.
- Introduza o porta-bits universal **(18)** girando no encabadouro da ferramenta até que seja bloqueado automaticamente.
- Verifique o bloqueio puxando o porta-bits universal.
- Coloque uma ponta de aparafusar no porta-bits universal **(18)**. Só utilize pontas de aparafusar apropriadas para o cabeçote de aparafusamento.
- Para retirar o porta-bits universal **(18)** empurre a bucha de travamento para trás e retire o porta-bits universal do encabadouro da ferramenta.

Colocar o porta-bits universal com encabadouro cilíndrico ou encabadouro sextavado

- Coloque o porta-bits universal com encabadouro cilíndrico ou encabadouro sextavado **(19)**. Efetue o processo tal como na colocação do acessório (ver

"Introduzir a ferramenta de trabalho (ver figura **C1**)", Página 25).

- Verifique o bloqueio puxando o porta-bits universal **(19)**.
- Coloque uma ponta de aparafusar no porta-bits universal **(19)**. Só utilize pontas de aparafusar apropriadas para o cabeçote de aparafusamento.
- Para retirar o porta-bits universal **(19)** proceda como na remoção do acessório (ver "Retirar a ferramenta de trabalho (ver figura **C2**)", Página 25).

Fixar o dispositivo de proteção contra queda (ver figura G)

Nota: Para proteger a ferramenta elétrica contra queda, deve ser utilizado um dispositivo de proteção contra queda **(21)** adequado ao peso do sistema. O comprimento máximo permitido do dispositivo de proteção contra queda é de **1,8 m**. Observe impreterivelmente a área de fixação permitida **(20)** na ferramenta elétrica.

Como dispositivo de proteção contra queda, utilize de preferência uma linga fixa com nó de ancoragem ou um dispositivo de proteção contra queda com amortecedor de choques.

Para a fixação do dispositivo de proteção contra queda **(21)** respeite impreterivelmente as respetivas instruções de utilização.

- ▶ **É imperativo que fixe o lado oposto do dispositivo de proteção contra queda a uma estrutura estável (p. ex. edifícios ou armação) e nunca ao próprio utilizador. O dispositivo de proteção contra queda tem de se mover livremente e só pode estar fixado ao ponto de ancoragem fixo (22) e na área de fixação (20) permitida na ferramenta elétrica. Selecione o ponto de ancoragem fixo (22) de forma a que, em caso de queda, a ferramenta elétrica possa cair livremente no sistema de proteção contra queda sem enrolar ou colocar o utilizador em perigo. Nunca utilize o dispositivo de proteção contra queda na ferramenta elétrica com a aspiração de pó montada.**

Manutenção e assistência técnica

Manutenção e limpeza

- ▶ **Antes de qualquer trabalho na ferramenta elétrica (p. ex. manutenção, troca de ferramenta, etc.) retire a bateria da mesma.** Há perigo de ferimentos se o interruptor de ligar/desligar for acionado involuntariamente.
- ▶ **Manter a ferramenta elétrica e as aberturas de ventilação sempre limpas, para trabalhar bem e de forma segura.**
- ▶ **Uma capa de proteção contra pó danificada deve ser substituída imediatamente. Recomendamos que o faça no Serviço de Assistência Técnica.**
- Limpar o encabadouro depois de cada utilização.

Serviço pós-venda e aconselhamento

O serviço pós-venda responde às suas perguntas a respeito de serviços de reparação e de manutenção do seu produto, assim como das peças sobressalentes. Desenhos explodidos e informações sobre peças sobressalentes encontram-se em: www.bosch-pt.com

A nossa equipa de consultores Bosch esclarece com prazer todas as suas dúvidas a respeito dos nossos produtos e acessórios.

Indique para todas as questões e encomendas de peças sobressalentes a referência de 10 dígitos de acordo com a placa de características do produto.

Brasil

Robert Bosch Ltda. – Divisão de Ferramentas Elétricas
Rodovia Anhanguera, Km 98 - Parque Via Norte
13065-900, CP 1195
Campinas, São Paulo
Tel.: 0800 7045 446
www.bosch.com.br/contato

Outros endereços de serviço encontram-se em:

www.bosch-pt.com/serviceaddresses

Transporte

As baterias de íões de lítio recomendadas estão sujeitas às leis de materiais perigosos. As baterias podem ser transportadas na rua pelo utilizador, sem mais obrigações.

No caso de envio por terceiros (por ex.: transporte aéreo ou expedição), devem ser observadas as especiais exigências quanto à embalagem e à designação. Neste caso é necessário consultar um especialista de materiais perigosos ao preparar a peça a ser trabalhada.

Baterias só devem ser transportadas se a carcaça estiver em perfeito estado. Colar contactos abertos e embalar a bateria de modo que não possa se movimentar dentro da embalagem. Respeite também outras disposições nacionais eventualmente existentes.

Eliminação



As ferramentas elétricas, as baterias, os acessórios e as embalagens devem ser enviados a uma reciclagem ecológica de matéria prima.



Não deitar ferramentas elétricas e baterias/pilhas no lixo doméstico!

Baterias/pilhas:

Lítio:

Observar as indicações no capítulo Transporte (ver "Transporte", Página 28).

中文

安全规章

电动工具通用安全警告

警告！ 阅读所有警告和所有说明！不遵照以下警告和说明会导致电击、着火和 / 或严重伤害。

保存所有警告和说明书以备查阅。

在所有下列的警告中术语“电动工具”指市电驱动（有线）电动工具或电池驱动（无线）电动工具。

工作场地的安全

- ▶ **保持工作场地清洁和明亮。** 混乱和黑暗的场地会引发事故。
- ▶ **不要在易爆环境，如有易燃液体、气体或粉尘的环境下操作电动工具。** 电动工具产生的火花会点燃粉尘或气体。
- ▶ **让儿童和旁观者离开后操作电动工具。** 注意力不集中会使操作者失去对工具的控制。

电气安全

- ▶ **电动工具插头必须与插座相配。绝不能以任何方式改装插头。需接地的电动工具不能使用任何转换插头。** 未经改装的插头和相配的插座将减少电击危险。
- ▶ **避免人体接触接地表面，如管道、散热片和冰箱。** 如果你身体接地会增加电击危险。
- ▶ **不得将电动工具暴露在雨中或潮湿环境中。** 水进入电动工具将增加电击危险。
- ▶ **不得滥用电线。绝不能用电线搬运、拉动电动工具或拔出其插头。使电线远离热源、油、锐边或运动部件。** 受损或缠绕的软线会增加电击危险。
- ▶ **当在户外使用电动工具时，使用适合户外使用的外接软线。** 适合户外使用的软线将减少电击危险。
- ▶ **如果在潮湿环境下操作电动工具是不可避免的，应使用剩余电流动作保护器（RCD）。使用RCD可减小电击危险。**

人身安全

- ▶ **保持警觉，当操作电动工具时关注所从事的操作并保持清醒。当你感到疲倦，或在有药物、酒精或治疗反应时，不要操作电动工具。** 在操作电动工具时瞬间的疏忽会导致严重人身伤害。
- ▶ **使用个人防护装置。始终佩戴护目镜。** 安全装置，诸如适当条件下使用防尘面具、防滑安全鞋、安全帽、听力防护等装置能减少人身伤害。
- ▶ **防止意外启动。确保开关在连接电源和/或电池盒、拿起或搬运工具时处于关断位置。** 手指放在已接通电源的开关上或开关处于接通时插入插头可能会导致危险。
- ▶ **在电动工具接通之前，拿掉所有调节钥匙或扳手。** 遗留在电动工具旋转零件上的扳手或钥匙会导致人身伤害。

- ▶ **手不要伸展得太长。时刻注意立足点和身体平衡。** 这样在意外情况下能很好地控制电动工具。
- ▶ **着装适当。不要穿宽松衣服或佩戴饰品。让衣服、手套和头发远离运动部件。** 宽松衣服、配饰或长发可能会卷入运动部件中。
- ▶ **如果提供了与排屑、集尘设备连接用的装置，要确保他们连接完好且使用得当。** 使用这些装置可减少尘屑引起的危险。
- ▶ **即使由于经常使用电动工具而对此非常熟悉，也不要就认为可以高枕无忧而忽略工具的安全规定。** 粗心大意的行为可能在瞬间就造成严重的伤害。

电动工具使用和注意事项

- ▶ **不要滥用电动工具，根据用途使用适当的电动工具。** 选用适当设计的电动工具会使你工作更有效、更安全。
- ▶ **如果开关不能接通或关断工具电源，则不能使用该电动工具。** 不能用开关来控制的电动工具是危险的且必须进行修理。
- ▶ **在进行任何调节、更换附件或贮存电动工具之前，必须从电源上拔掉插头和/或使电池盒与工具脱离。** 这种防护性措施将减少工具意外起动的危险。
- ▶ **将闲置不用的电动工具贮存在儿童所及范围之外，并且不要让不熟悉电动工具或对这些说明不了解的人操作电动工具。** 电动工具在未经培训的用户手中是危险的。
- ▶ **保养电动工具。检查运动件是否调整到位或卡住，检查零件破损情况和影响电动工具运行的其他状况。** 如有损坏，电动工具应在使用前修理好。许多事故由维护不良的电动工具引发。
- ▶ **保持切削刀具锋利和清洁。** 保养良好的有锋利切削刃的刀具不易卡住而且容易控制。
- ▶ **按照使用说明书，考虑作业条件和进行的作业来使用电动工具、附件和工具的刀头等。** 将电动工具用于那些与其用途不符的操作可能会导致危险。
- ▶ **保持手柄和握持表面干燥、清洁、无油污。** 在突发情况下，滑溜的手柄和握持表面无法确保安全地握持和控制工具。

电池式工具使用和注意事项

- ▶ **只用制造商规定的充电器充电。** 将适用于某种电池盒的充电器用到其他电池盒时会发生着火危险。
- ▶ **只有在配有专用电池盒的情况下才使用电动工具。** 使用其他电池盒会发生损坏和着火危险。
- ▶ **当电池盒不用时，将它远离其他金属物体，例如回形针、硬币、钥匙、钉子、螺钉或其他小金属物体，以防一端与另一端连接。** 电池端部短路会引起燃烧或火灾。
- ▶ **在滥用条件下，液体会从电池中溅出；避免接触。** 如果意外碰到了，用水冲洗。如果液体碰到了眼睛，还要寻求医疗帮助。从电池中溅出的液体会发生腐蚀或燃烧。

- ▶ **不要使用损坏的或更改过的电池组或工具。** 损坏或更改过的电池可能导致不可预料的情况发生，有着火、爆炸或受伤的风险。
- ▶ **不要将电池组或工具暴露于火焰或高温情况下。** 火焰或超过130 °C的温度可能会引起爆炸。
- ▶ **遵守所有充电说明，给电池组或工具充电时不要超出说明中规定的温度范围。** 错误充电或温度超出规定的范围可能会损坏电池并提高着火的风险。

维修

- ▶ **将你的电动工具送交专业维修人员，使用同样的备件进行修理。** 这样将确保所维修的电动工具的安全性。
- ▶ **决不能维修损坏的电池包。** 电池包仅能由生产者或其授权的维修服务商进行维修。

电锤安全规章

- ▶ **戴好耳罩。** 暴露在噪声中会引起听力损伤。
- ▶ **使用随工具提供的辅助手柄。** 操作失手会引起人身伤害。
- ▶ **在操作期间，切割附件或紧固件可能接触暗线，要握住电动工具的绝缘握持面。** 切割附件和紧固件一旦接触“带电”导线，可能会使电动工具外露的金属部件“带电”，并使操作员触电。

当使用带旋转锤钻的长钻头时的安全说明

- ▶ **务必以低转速开始钻孔，并让钻头尖端与工件接触。** 在较高转速下，如果让钻头在不接触工件的情况下随意旋转，很可能导致其弯折，从而引发人身伤害。
- ▶ **只在钻头的直线方向上施加压力，不要施加过大的压力。** 钻头可能会弯曲，导致断裂或失去控制，造成人身伤害。

其他安全规章

- ▶ **使用合适的侦测装置侦察隐藏的电线，或者向当地的相关单位寻求支援。** 接触电线可能引起火灾并让操作者触电。损坏了瓦斯管会引起爆炸。如果水管被刺穿了会导致财物损失。
- ▶ **等待电动工具完全静止后才能够放下机器。** 机器上的工具可能在工作中被夹住，而令您无法控制电动工具。
- ▶ **固定好工件。** 使用固定装置或老虎钳固定工件，会比用手持握工件更牢固。
- ▶ **如果充电电池损坏或者未按照规定使用，充电电池中会散发出有毒蒸汽。** 充电电池可能会燃烧或爆炸。工作场所必须保持空气流通，如果身体有任何不适必须马上就医。蒸汽会刺激呼吸道。
- ▶ **切勿改装并打开充电电池。** 可能造成短路。
- ▶ **钉子、螺丝刀等尖锐物品或外力作用可能会损坏充电电池。** 有可能出现内部短路、蓄电池燃烧、发出烟雾、爆炸或过热。
- ▶ **仅在制造商的产品中使用充电电池。** 这样才能确保充电电池不会过载。



保护充电电池免受高温（例如长期阳光照射）、火焰、脏污、水和湿气的侵害。有爆炸和短路的危险。



- ▶ 切勿直接触摸运行后的工具刀头或相邻的壳体部件。它们可能在运行期间变得很热，从而导致起火燃烧。
- ▶ 工具刀头可能会在钻孔时卡住。确保站稳并使用双手握紧电动工具。否则您可能失去对电动工具的控制。
- ▶ 切勿在运行期间将电动工具对准附近的人。工具刀头可能会飞出，从而造成严重伤害。
- ▶ 务必佩戴安全帽和护目镜或面罩。一般的眼镜或太阳镜不属于护目镜。
- ▶ 运行前检查工具刀头是否牢固固定。
- ▶ 请始终留意您的站立位置是否安全。在高处使用电动工具时（比如梯子上），应确保下面没人。
- ▶ 切勿通过接通电动工具来打开或关闭钻夹头。钻头可能会弹出，有受伤的危险。
- ▶ 切勿在运行期间将电动工具对准附近的人。工具刀头可能会飞出，从而造成严重伤害。
- ▶ 务必佩戴安全帽和护目镜或面罩。一般的眼镜或太阳镜不属于护目镜。
- ▶ 运行前检查工具刀头是否牢固固定。
- ▶ 请始终留意您的站立位置是否安全。在高处使用电动工具时（比如梯子上），应确保下面没人。
- ▶ 切勿通过接通电动工具来打开或关闭钻夹头。钻头可能会弹出，有受伤的危险。
- ▶ 工作时使用双手握紧电动工具并确保站稳。使用双手才能够稳定地操作电动工具。

产品和性能说明



请阅读所有安全规章和指示。不遵照以下警告和说明可能导致电击、着火和/或严重伤害。

请注意本使用说明书开头部分的图示。

按照规定使用

本电动工具可以在混凝土、砖墙和石材上进行锤钻。另外也适合在木材、金属、陶材和塑料上进行无冲击钻孔。有电子调节装置和正/逆转功能的电动工具也能够拧转螺丝。

插图上的机件

机件的编号和电动工具详解图上的编号一致。

- (1) ONECHUCK钻夹头
- (2) ONECHUCK工具夹头
- (3) 防尘盖
- (4) 前套筒
- (5) 后套筒
- (6) 减震装置
- (7) 充电电池的解锁按钮^{a)}
- (8) 正逆转开关

- (9) 手柄（绝缘握柄）
- (10) 起停开关
- (11) 充电电池^{a)}
- (12) 冲击/转动停止开关的解锁按键
- (13) 冲击/转动停止开关
- (14) 工作灯
- (15) 深度尺调节键
- (16) 辅助手柄（绝缘握柄）
- (17) 限深器
- (18) 带SDS plus接头柄的通用批头套筒^{a)}
- (19) 带有圆柱柄或六角柄的通用批头套筒^{a)}
- (20) 电动工具上的防坠落装置固定区域
- (21) 防坠落装置^{b)}
- (22) 防坠落装置的固定止动点^{b)}

a) 该附件并不包含在基本的供货范围中。

b) 该附件并不包含在标准供货范围和博世附件系列中。

技术数据

无绳电锤		GBH 18V-18 X
物品代码		3 611 J27 1..
额定电压	伏特=	18
额定转速 ^{A)}	转/分钟	900
冲击次数 ^{A)}	次/分钟	5000
工具夹头		- SDS plus - 圆柱形 - 六角段
圆柱柄钻夹头夹紧范围	毫米	6-10
最大钻孔直径		
- 混凝土	毫米	18
- 钢	毫米	10
- 木材	毫米	18
重量 ^{B)}	公斤	2.2公斤 (1.5安培小时) - 3.2公斤 (12.0安培小时)
充电时建议的环境温度	摄氏度	0至+35
工作时和存放时允许的环境温度 ^{C)}	摄氏度	-20至+50
兼容的充电电池		GBA 18V... ProCORE18V...
推荐的充电器		GAL 18... GAX 18... GAL 36...

A) 在20-25摄氏度的条件下带充电电池GBA 18V 4.0Ah测得

B) 视所使用的充电电池而定

C) 温度<0摄氏度时功率受限

使用附带的充电电池所测得的技术数据。

数值可能因不同产品而异，并且受到应用和环境条件影响。更多信息请参见www.bosch-professional.com/wac。

充电电池

Bosch也销售不带充电电池的充电式电动工具。您可以在包装上查看电动工具的供货范围内是否包含充电电池。

为充电电池充电

▶ **请只使用在技术参数中列出的充电器。**只有这些充电器才适用于本电动工具上的锂离子电池。

提示：鉴于国际运输规定，锂离子充电电池在交货时只完成部分充电。首度使用电动工具之前，必须先充足充电电池的电量以确保充电电池的功率。

安装充电电池

将充好电的充电电池推入电池座，直到嵌入。


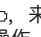
取出充电电池

如需取下充电电池，则请按解锁按钮，然后拔出充电电池。**在此过程中请勿过度用力。**

充电电池具备双重锁定功能，即使不小心触动了充电电池的解锁按钮，充电电池也不会从机器中掉落下来。只要充电电池安装在电动工具中，就会被弹簧固定在其位置上。

充电电池电量指示灯

提示：并非每种充电电池型号均具备电量指示灯。充电电池电量指示灯的绿色LED灯显示充电电池的电量。基于安全原因，只能在电动工具静止时检查充电电池的电量。

按压充电电量指示灯按键或, 来显示充电电量。也可以在充电电池取下时操作。

如果按压充电电量指示灯按键后没有LED灯亮起，则说明充电电池损坏，必须进行更换。

充电电池型号GBA 18V...



LED	电量
3个绿灯长亮	60-100 %
2个绿灯长亮	30-60 %
1个绿灯长亮	5-30 %
1个绿灯闪烁	0-5 %

充电电池型号ProCORE18V...



LED	电量
5个绿灯长亮	80-100 %
4个绿灯长亮	60-80 %
3个绿灯长亮	40-60 %
2个绿灯长亮	20-40 %
1个绿灯长亮	5-20 %

LED

电量

1个绿灯闪烁

0-5 %

如何正确地使用充电电池

保护充电电池，避免湿气和水分渗入。

充电电池必须储存在-20 °C至50 °C的环境中。夏天不得将充电电池搁置在汽车中。

不时地使用柔软、清洁而且干燥的毛刷清洁充电电池的通气孔。

充电后如果充电电池的使用时间明显缩短，代表充电电池已经损坏，必须更换新的充电电池。

请注意有关作废处理的规定。

安装

▶ **对电动工具执行任何操作（比如保养、更换刀具等）前需将充电电池从电动工具中取出。**意外操作起停开关可能会造成伤害。

辅助手柄

▶ **操作电动工具时务必使用辅助手柄 (16)。**

▶ **务必确保辅助手柄已牢牢拧紧。**否则您可能在工作时失去对电动工具的控制。

摆动辅助手柄（见图片A）

可以任意翻转辅助手柄(16)，由此可在工作中采用安全且不易疲劳的姿势。

- 逆时针旋转辅助手柄(16)的下半部，并将辅助手柄(16)转到需要的位置。然后顺时针重新拧紧辅助手柄(16)的下半部。

注意，辅助手柄的固定套圈必须位于机壳上的固定套圈专属凹槽中。

更换刀具

您可以通过ONECHUCK钳夹头便捷地使用SDS plus工具刀头、圆柱柄和六角柄工具刀头，而无需借助其它的工具或更换钻夹头。

防尘盖(3)可以防止工作时钻屑进入工具夹头中。插入刀具时请注意不要损坏防尘盖(3)。

▶ **损坏的防尘盖必须立即更换。推荐由本公司的售后服务部门进行操作。**

更换刀具 (SDS plus)

安装SDS plus工具刀头（参见插图B1-B2）

- 用一只手抓住钻夹头的后套筒(5)。用另一只手转动前套筒(4)来完全打开工具夹头。

- 清洁SDS plus工具刀头的末端并涂抹少许油脂。

- 把SDS plus工具刀头拧入工具夹头中，必须拧转至工具自动锁定为止。

- 抽拉工具以确定它是否正确锁紧了。

SDS plus系统的工具刀头是活动的。因此在空转时会产生跳动偏差。该偏差对钻孔的精度没影响，因为钻孔时钻头自定心。

取出SDS plus工具刀头（参见插图B3）

- 向后推动后套筒(5)，取出SDS plus工具刀头。

更换工具（圆柱柄，六角）

安装工具刀头（参见插图C1）

提示：切勿使用不带SDS plus的工具来锤钻！没有SDS plus的工具和夹头会在进行锤钻时受损。

提示：只能在钻孔运行模式下使用带圆柱柄或六角柄的工具。

▶ **切勿通过接通电动工具来关闭钻夹头。** 钻头可能会弹出，有受伤的危险。

提示：只能使用柄直径在6到10毫米之间的圆柱柄或六角柄工具刀头。

- 将冲击转动停止开关(13)旋转至“钻孔”位置。
- 用一只手抓住钻夹头的后套筒(5)。用另一只手转动前套筒(4)来打开工具夹头，直至可以插入工具刀头。
- 将圆柱柄或六角柄工具刀头装入钻夹头。
- 用一只手握住后套筒(5)，另一只手沿箭头方向用力转动前套筒(4)，直到听见明显的咔嚓声。
- 以抽拉的方式检查刀具是否装牢。

仅在电动工具关闭的情况下装入工具刀头。

拆卸工具刀头（参见插图C2）

- 用一只手抓住钻夹头的后套筒(5)。用另一只手沿箭头方向转动前套筒(4)来打开工具夹头，直至可以取出工具刀头。
- 取出工具刀头。

▶ **切勿通过接通电动工具来打开钻夹头。** 钻头可能会弹出，有受伤的危险。

吸锯尘/吸锯屑

含铅的颜料以及某些木材、矿物和金属的加工废尘有害健康。机器操作者或者工地附近的人如果接触、吸入这些废尘，可能会有过敏反应或者感染呼吸道疾病。

某些尘埃（例如加工橡木或山毛榉的废尘）可能致癌，特别是和处理木材的添加剂（例如木材的防腐剂等）结合之后。只有经过专业训练的人才能够加工含石棉的物料。

- 尽可能使用适合物料的吸尘装置。
- 工作场所要保持空气流通。
- 最好佩戴P2滤网等级的口罩。

请留心并遵守贵国和加工物料有关的法规。

▶ **避免让工作场所堆积过多的尘垢。** 尘埃容易被点燃。

操作

操作机器

设定操作模式

通过冲击 / 转动停止开关(13)选择电动工具的运行模式。

- 按压用于转换运行模式的解锁按钮(12)，然后转动冲击 / 转动停止开关(13)到所需位置，直至听到卡止声。

提示：仅可在电动工具关闭的情况下更改运行模式！否则可能会损坏电动工具。

混凝土或石材锤钻位置

木材、金属、陶材和塑料无冲击钻孔以及拧螺丝时的位置

调整旋转方向（参见插图D）

通过正逆转开关(8)可以更改电动工具的旋转方向。按下起停开关(10)后无法更改。

▶ **只能在电动工具静止时操纵正逆转开关(8)。**

进行锤钻和正常钻时，都必须把旋转方向设定为正转。

- **正转：**钻孔和拧入螺丝时，向左按压正逆转开关(8)直至极限位置。
- **逆转：**松开或拧出螺丝和螺母时，向右按压正逆转开关(8)直至极限位置。

提示：如果正逆转开关处于中间位置，表示起停开关卡住。

接通/关闭

- 如要**接通**电动工具，请按压电源开关(10)。轻按或是把电源开关(10)按到底时，工作灯(14)会亮起，在照明状况不佳的环境中可以借此照亮工作区域。

- 如要**关闭**电动工具，请松开电源开关(10)。

在低温的工作环境中，必须经过短暂的暖机，电动工具才能够发挥最大的锤击/冲击功率。

调整转速 / 冲击次数

可以无级调节已接通电动工具的转速/冲击次数，视按压电源开关(10)的力道程度决定。

以较小的力按压电源开关(10)时，转速/冲击次数较低。增强施加在起停开关上的压力，可以提高机器的转速 / 冲击次数。

工作提示

调整钻孔深度（参见插图E）

利用限深器(17)可以确定所需的钻深X。

- 按压限深器调节键(15)，并将限深器装入辅助手柄(16)。
- 限深器(17)的槽纹必须朝下。
- 将SDS plus工具刀头推入SDS plus工具夹头，直至极限位置。如果未安装好SDS plus工具刀头，会影响设定深度的准确性。
- 尽可能地拉出限深器，使钻尖与限深器尖端之间的距离等于所需的钻孔深度X。

过载扭矩

- ▶ **如果工具卡住了，传往主轴的动力会中断。由于会产生力，请用双手牢牢握住电动工具并站稳。**
- ▶ **当电动工具卡住时，请关闭电动工具并松开工具刀头。开动机器时如果安装在机器上的钻头被卡住了，会产生很高的反作用扭力。**

快速关断功能 (KickBack Control)



快速关断功能 (KickBack Control) 让用户能更好地控制电动工具，这样与不带 KickBack Control 的电动工具相比，能更好地保护用户。在电动工具的钻轴突然意外旋转时，自动关闭电动工具。

- 如要重新使用工具，松开电源开关(10)，然后再次操作。

电动工具上的工作灯(14)闪烁即表示激活了快速关断功能。

减震装置



内置减震装置可减轻出现的振动。

- ▶ 如果减震装置损坏了，勿继续使用电动工具。

恒定电子装置



恒定电子装置可在空载和规定的负载条件下稳定转速。由此确保工作功率均匀。

安装螺丝批嘴 (见图片F)

- ▶ 先关闭电动工具，然后再放置在螺母/螺栓上。旋转的工具刀头可能会滑开。

使用螺丝批嘴时，需要带 SDS plus 接头柄的通用批头套筒(18)或者带有圆柱柄或六角柄的通用批头套筒(19)。

安装带 SDS plus 接头柄的通用批头套筒

- 清洁接头柄的末端并在接头柄末端涂抹少许油脂。
- 把通用批头套筒(18)拧入工具夹头中，并让其自动锁定。
- 抽拉通用批头套筒，以确定其是否已经锁定了。
- 把螺丝批嘴插入通用批头套筒(18)中。必须使用与螺丝头大小相符的螺丝批嘴。
- 拆卸通用批头套筒(18)时，向后推锁定套筒，然后从工具夹头中拆下通用批头套筒。

安装带有圆柱柄或六角柄的通用批头套筒

- 装入带有圆柱柄或六角柄的通用批头套筒(19)。安装时按照安装工具刀头(参见“安装工具刀头(参见插图C1)”，页 32)的步骤进行操作。
- 抽拉通用批头套筒(19)，以确定其是否已经锁定了。
- 把螺丝批嘴插入通用批头套筒(19)中。必须使用与螺丝头大小相符的螺丝批嘴。
- 取出通用批头套筒(19)时按照取出工具刀头(参见“拆卸工具刀头(参见插图C2)”，页 32)的步骤进行操作。

固定防坠落装置 (参见插图G)

提示：应使用与系统重量匹配的防坠落装置(21)，以防电动工具坠落。防坠落装置的最大允许长度为 1,8 米。请务必注意电动工具上的允许固定区域(20)。

优先将用锚结固定的绳带用作防坠落装置或使用配备坠落缓冲器的防坠落装置。

在固定防坠落装置(21)时请务必注意相关操作说明。

- ▶ 必须将防坠落装置的另一端固定在稳定的结构上(例如建筑物或脚手架)，切勿固定在用户本身。

防坠落装置必须能够自由移动，只允许固定在固定止动点(22)和电动工具上允许的固定区域(20)。

请选择合适的固定止动点(22)，确保电动工具坠落时可自行掉落在防坠落装置内，同时不会缠绕或危害用户。

切勿将电动工具上的防坠落装置与已安装的除尘装置搭配使用。

维修和服务

保养和清洁

- ▶ 对电动工具执行任何操作(比如保养、更换刀具等)前需将充电电池从电动工具中取出。意外操作起停开关可能会造成伤害。
- ▶ 电动工具和通气孔必须随时保持清洁，以确保工作效率和工作安全。
- ▶ 必须立即更换损坏的防尘盖。最好委托本公司的顾客服务处更换。
- 每次使用后请清洁工具夹头。

客户服务和应用咨询

本公司顾客服务处负责回答有关本公司产品的修理、维护和备件的问题。备件的展开图纸和信息也可查看：www.bosch-pt.com
博世应用咨询团队乐于就我们的产品及其附件问题提供帮助。

询问和订购备件时，务必提供机器铭牌上标示的 10 位数物品代码。

中国大陆

博世电动工具(中国)有限公司
中国 浙江省 杭州市
滨江区 滨康路567号
102/1F 服务中心
邮政编码: 310052
电话: (0571)8887 5566 / 5588
传真: (0571)8887 6688 x 5566# / 5588#
电邮: bsc.hz@cn.bosch.com
www.bosch-pt.com.cn

制造商地址:

Robert Bosch Power Tools GmbH
罗伯特·博世电动工具有限公司
70538 Stuttgart / GERMANY
70538 斯图加特 / 德国

其他服务地址请见:

www.bosch-pt.com/serviceaddresses

搬运

所推荐的锂离子充电电池必须符合危险物品法规。使用者无须另外使用保护包装便可以运送该充电电池。

但是如果将它交由第三者运送（例如：空运或委托运输公司）则使用特殊的包装和标示。此时必须向危险物品专家请教有关寄送危险物品的相关事宜。

确定充电电池的外壳未受损后，才可以寄送充电电池。粘好未加盖的触点并包装好充电电池，不可以让充电电池在包装中晃动。必要时也得注意各国有关的法规。

处理废弃物



必须以符合环保的方式，回收再利用损坏的电动工具、充电电池、附件和废弃的包装材料。



不可以把电动工具和充电电池/蓄电池丢入一般的家庭垃圾中！

充电电池/电池：

锂离子：

请注意“搬运”段落中的指示（参见“搬运”，页 33）确认设置。

产品中有害物质的名称及含量

部件名称	有害物质					
	铅 (Pb)	汞 (Hg)	镉 (Cd)	六价铬 (Cr ⁺⁶)	多溴联苯 (PBB)	多溴二苯醚 (PBDE)
外壳的金属部分	○	○	○	○	○	○
外壳的非金属部分	○	○	○	○	○	○
机械传动机构	X	○	○	○	○	○
电机组件	X	○	○	○	○	○
控制组件	X	○	○	○	○	○
附件	○	○	○	○	○	○
配件	○	○	○	○	○	○
连接件	X	○	○	○	○	○
电源线①	○	○	○	○	○	○
电池系统②	X	○	○	○	○	○

本表格依据SJ/T11364的规定编制。

○：表示该有害物质在该部件所有均质材料中的含量均在GB/T 26572规定的限量要求以下。

X：表示该有害物质至少在该部件的某一均质材料中的含量超出GB/T 26572规定的限量要求。且目前业界没有成熟的替代方案，符合欧盟RoHS指令环保要求。

① 适用于采用电源线连接供电的产品。

② 适用于采用充电电池供电的产品。

产品环保使用期限内的使用条件参见产品说明书。

繁體中文

安全注意事項

電動工具一般安全注意事項

警告

請詳讀工作臺及電動工具的所有安全警告與使用說明。若不遵照以下列出的指示，將可能導致電擊、著火和/或人員重傷。

保存所有警告和說明書以備查閱。

在所有警告中，「電動工具」此一名詞泛指：以市電驅動的（有線）電動工具或是以電池驅動的（無線）電動工具。

工作場地的安全

- ▶ 保持工作場地清潔和明亮。混亂和黑暗的場地會引發事故。
- ▶ 不要在易爆環境，如有易燃液體、氣體或粉塵的環境下操作電動工具。電動工具產生的火花會點燃粉塵或氣體。

- ▶ 讓兒童和旁觀者離開後操作電動工具。注意力不集中會使您失去對工具的控制。

電氣安全

- ▶ 電動工具插頭必須與插座相配。絕不能以任何方式改裝插頭。需接地的電動工具不能使用任何轉換插頭。未經改裝的插頭和相配的插座將減少電擊危險。
- ▶ 避免人體接觸接地表面，如管道、散熱片和冰箱。如果您身體接地會增加電擊危險。
- ▶ 不得將電動工具暴露在雨中或潮濕環境中。水進入電動工具將增加電擊危險。
- ▶ 不得濫用電線。絕不能用電線搬運、拉動電動工具或拔出其插頭。使電線遠離熱源、油、銳利邊緣或移動零件。受損或纏繞的軟線會增加電擊危險。
- ▶ 當在戶外使用電動工具時，使用適合戶外使用的延長線。適合戶外使用的軟線，將減少電擊危險。
- ▶ 如果在潮濕環境下操作電動工具是不可避免的，應使用剩餘電流動作保護器（RCD）。使用RCD可降低電擊危險。

人身安全

- ▶ 保持警覺，當操作電動工具時關注所從事的操作並保持清醒。當您感到疲倦，或在有藥物、酒精或治療反應時，不要操作電動工具。在操作電動工具時瞬間的疏忽會導致嚴重人身傷害。
- ▶ 使用個人防護裝置。始終佩戴護目鏡。安全裝置，諸如適當條件下使用防塵面具、防滑安全鞋、安全帽、聽力防護等裝置能減少人身傷害。
- ▶ 防止意外起動。確保開關在連接電源和 / 或電池盒、拿起或搬運工具時處於關閉位置。手指放在已接通電源的開關上或開關處於接通時插入插頭可能會導致危險。
- ▶ 在電動工具接通之前，拿掉所有調節鑰匙或扳手。遺留在電動工具旋轉零件上的扳手或鑰匙會導致人身傷害。
- ▶ 手不要伸展得太長。時刻注意立足點和身體平衡。這樣在意外情況下能很好地控制電動工具。
- ▶ 著裝適當。不要穿寬鬆衣服或佩戴飾品。讓您的衣物及頭髮遠離運動部件。寬鬆衣服、佩飾或長髮可能會捲入運動部件中。
- ▶ 如果提供了與排屑、集塵設備連接用的裝置，要確保他們連接完好且使用得當。使用這些裝置可減少塵屑引起的危險。
- ▶ 切勿因經常使用工具所累積的熟練感而過度自信，輕忽工具的安全守則。任何一個魯莽的舉動都可能瞬間造成人員重傷。

電動工具使用和注意事項

- ▶ 不要濫用電動工具，根據用途使用適當的電動工具。選用適當設計的電動工具會使您工作更有效、更安全。
- ▶ 如果開關不能開啟或關閉工具電源，則不能使用該電動工具。不能用開關來控制的電動工具是危險的且必須進行修理。

- ▶ 在進行任何調整、更換配件或貯存電動工具之前，必須從電源上拔掉插頭並 / 或取出電池盒。這種防護性措施將減少工具意外起動的危險。
- ▶ 將閒置不用的電動工具貯存在兒童所及範圍之外，並且不要讓不熟悉電動工具或對這些說明不瞭解的人操作電動工具。電動工具在未經培訓的用戶手中是危險的。
- ▶ 保養電動工具與配備。檢查運動件是否調整到位或卡住，檢查零件破損情況和影響電動工具運行的其他狀況。如有損壞，電動工具應在使用前修理好。許多事故由維護不良的電動工具引發。
- ▶ 保持切削刀具鋒利和清潔。保養良好的有鋒利切削刃的刀具不易卡住而且容易控制。
- ▶ 按照使用說明書，考慮作業條件和進行的作業來使用電動工具、配件和工具的刀頭等。將電動工具用於那些與其用途不符的操作可能會導致危險。
- ▶ 把手及握持區應保持乾燥、潔淨，且不得沾染任何油液或油脂。易滑脫的把手及握持區將無法讓您在發生意外狀況時安全地抓緊並控制工具。

電池式工具使用和注意事項

- ▶ 只用製造商規定的充電器充電。將適用於某種電池盒的充電器用到其他電池盒時會發生著火危險。
- ▶ 只有在配有專用電池盒的情況下才使用電動工具。使用其他電池盒會發生損壞和著火危險。
- ▶ 當電池盒不用時，將它遠離其他金屬物體，例如回形針、硬幣、鑰匙、釘子、螺絲或其他小金屬物體，以防一端與另一端連接。電池端部短路會引起燃燒或火災。
- ▶ 在濫用條件下，液體會從電池中濺出；避免接觸。如果意外碰到了，用水沖洗。如果液體碰到了眼睛，還要尋求醫療幫助。從電池中濺出的液體會發生腐蝕或燃燒。
- ▶ 請勿使用已受損或經改裝的電池盒。已受損或經改裝的電池組可能出現無法預期的反應，進而導致著火、爆炸或造成人員受傷。
- ▶ 勿讓電池盒或工具靠近火源或暴露於異常溫度環境中。若是靠近火源或暴露在超過130 °C的環境中可能造成爆炸。
- ▶ 請完全遵照所有的充電說明，電池盒或工具的温度若是超出指示的規定範圍，請勿進行充電。不當充電或是未在規定的溫度範圍內進行充電，皆可能造成電池損壞並面臨更高的著火風險。

檢修

- ▶ 將您的電動工具送交專業維修人員，必須使用同樣的備件進行更換。這樣將確保所維修的電動工具的安全性。
- ▶ 請勿自行檢修受損的電池盒。電池組應交由製造商或是獲得授權的服務供應商來進行檢修。

電錘的安全注意事項

所有作業的安全說明

- ▶ 請戴上耳罩。暴露在噪音下會造成聽力喪失。

- ▶ **請使用工具的輔助把手（若有配備）。**失去控制可能會造成人員受傷。
- ▶ **進行作業時，負責進行切割的配件或固定釘可能會碰到隱藏的配線，請從絕緣握把處拿持電動工具。**負責進行切割的配件及固定釘若是觸及「導電」電線，可能導致電動工具外露的金屬部件「導電」，進而使操作人員遭受電擊。

使用長鑽頭搭配銼鑽的安全說明

- ▶ **請務必以低速啟動並將鑽尖確實抵住工件。**若鑽頭未接觸工件且以超過最高轉速的速度無負載轉動，可能會讓鑽頭彎曲並導致人員受傷。
- ▶ **請順著鑽頭方向施加適當的壓力。**鑽頭可能會彎曲而造成斷裂或失控，進而導致人員受傷。

其他安全注意事項

- ▶ **使用合適的偵測裝置偵察隱藏的電線，或者向當地的相關單位尋求支援。**接觸電線可能引起火災並讓操作者觸電。若損壞瓦斯管會引起爆炸。如果水管被刺穿會導致財物損失。
- ▶ **必須等待電動工具完全靜止後才能將它放下。**嵌件工具可能卡住而使電動工具失控。
- ▶ **固定好工件。**使用固定裝置或老虎鉗固定工件，會比用手持握工件更牢固。
- ▶ **如果充電電池損壞了，或者未按照規定使用充電電池，充電電池中會散發出有毒蒸氣。充電電池可能起火或爆炸。**工作場所必須保持空氣流通，如果身體有任何不適必須馬上就醫。充電電池散發的蒸氣會刺激呼吸道。
- ▶ **切勿改裝拆開充電電池。**可能造成短路。
- ▶ **尖銳物品（例如釘子或螺絲起子）或是外力皆有可能造成充電電池損壞。**進而導致內部短路而發生電池起火、冒煙、爆炸或過熱等事故。
- ▶ **僅可在製造商的產品中使用充電電池。**如此才可提供過載保護。



保護充電電池免受高溫（例如長期日照）、火焰、污垢、水液和濕氣的侵害。有爆炸及短路之虞。



- ▶ **操作後不久不要接觸任何嵌件工具或鄰近的外殼部件。**這些在操作過程中會變得非常灼熱並導致燙傷。
- ▶ **鑽孔時嵌件工具可能會卡住。請確實站穩並用雙手牢牢握住電動工具。**否則您可能無法再控制電動工具。
- ▶ **電動工具運轉期間，不可將其指向附近的人員。**嵌件工具可能飛出並造成嚴重傷害。
- ▶ **請務必配戴安全帽和護目鏡或面罩。**一般的眼鏡或太陽眼鏡並不是護目鏡。
- ▶ **在操作前，檢查嵌件工具是否已固定牢靠。**
- ▶ **請隨時留意自身安全。**當您在高處使用本電動工具時（例如在工作梯上），請確保底下無人。
- ▶ **不可透過啟動電動工具的方式來打開或關閉夾頭。**鑽頭可能拋出而造成受傷危險。
- ▶ **電動工具運轉期間，不可將其指向附近的人員。**嵌件工具可能飛出並造成嚴重傷害。

- ▶ **請務必配戴安全帽和護目鏡或面罩。**一般的眼鏡或太陽眼鏡並不是護目鏡。
- ▶ **在操作前，檢查嵌件工具是否已固定牢靠。**
- ▶ **請隨時留意自身安全。**當您在高處使用本電動工具時（例如在工作梯上），請確保底下無人。
- ▶ **不可透過啟動電動工具的方式來打開或關閉夾頭。**鑽頭可能拋出而造成受傷危險。
- ▶ **作業期間請用雙手牢牢握緊電動工具並保持穩固。**使用雙手才能夠更穩定地操作電動工具。

產品和功率描述



請詳讀所有安全注意事項和指示。如未遵守安全注意事項與指示，可能導致火災、人員遭受電擊及/或重傷。
請留意操作說明書中最前面的圖示。

依規定使用機器

本電動工具可以在混凝土、磚牆、和石材上進行鎚擊鑽孔。此外，它同樣也可以用無震動之方式在木材、金屬、陶瓷或塑膠等材質上進行鑽孔加工。具備電子調速和正逆轉功能的電動工具亦可用於拆裝螺栓。

插圖上的機件

機件的編號和電動工具詳解圖上的編號一致。

- (1) ONECHUCK 夾頭
- (2) ONECHUCK 工具夾頭
- (3) 防塵蓋
- (4) 前套筒
- (5) 後套筒
- (6) 減震裝置
- (7) 充電電池解鎖按鈕^{a)}
- (8) 正逆轉開關
- (9) 把手（絕緣握柄）
- (10) 起停開關
- (11) 充電電池^{a)}
- (12) 鎚擊 / 旋轉停止開關的解鎖按鈕
- (13) 鎚擊 / 旋轉停止開關
- (14) 工作燈
- (15) 限深器調整按鈕
- (16) 輔助手柄（絕緣握柄）
- (17) 限深器
- (18) 具有 SDS plus 接頭柄的通用工具頭夾持器^{a)}
- (19) 具有圓柱柄或六角柄的通用工具頭夾持器^{a)}
- (20) 電動工具上防墜設備的固定區域
- (21) 防墜設備^{b)}
- (22) 防墜設備錨定點^{b)}

a) 所述之配件並不包含在基本的供貨範圍中。

b) 此配件不包含在供貨範圍內，也不屬於博世配件系列。

技術性數據

充電式鎚擊電鑽		GBH 18V-18 X	
產品機號		3 611 J27 1..	
額定電壓	V=	18	
額定轉速 ^{A)}	次 / 分	900	
衝擊次數 ^{A)}	min ⁻¹	5000	
工具夾頭		- SDS plus - 圓柱 - 六角	
圓柱柄夾頭夾緊範圍	mm	6-10	
最大鑽孔直徑			
- 混凝土	mm	18	
- 鋼材	mm	10	
- 木材	mm	18	
重量 ^{B)}	kg	2.2 kg (1.5 Ah) - 3.2 kg (12.0 Ah)	
充電狀態下的建議環境溫度	°C	0 ... +35	
操作狀態下的容許環境溫度 ^{C)} 以及存放狀態下	°C	-20 ... +50	
相容的充電電池		GBA 18V... ProCORE18V...	
建議使用的充電器		GAL 18... GAX 18... GAL 36...	

A) 於 20-25 °C 配備充電電池 GBA 18V 4.0Ah 時測得。

B) 視所使用的充電蓄電池而定

C) 溫度 <0 °C 時，性能受限

使用本產品隨附之充電電池時測得的技術性數據。

數值可能因產品而異，並受使用條件以及環境條件影響。進一步資訊請見 www.bosch-professional.com/wac。

充電電池

Bosch 亦販售不含充電電池的充電式電動工具。可以從外包裝看出電動工具的供貨範圍是否包括電池。

為充電電池進行充電

- ▶ **只能選用技術性數據裡所列出的充電器。** 僅有這些充電器適用於電動工具所使用的鋰離子充電電池。

提示：由於國際運輸規定，出貨時鋰離子充電電池已部分充電。初次使用電動工具之前，請先將充電電池充飽電以確保充電電池蓄滿電力。

安裝充電電池

將已充飽電的充電電池推至充電電池固定座內，直到卡緊。

取出充電電池

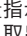
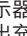
若要取出充電電池，請按解鎖鈕，然後將充電電池抽出。**不可以強行拉出充電電池。**

本充電電池具備了雙重鎖定功能，即使不小心按壓了充電電池解鎖按鈕，充電電池也不會從機器中掉落出來。固定彈簧會把充電電池夾緊在機器中。

充電電池的電量指示器

提示：並非所有的充電電池類型都有電量指示器。

充電電池的電量指示器透過綠色 LED 燈告知充電電池的目前電量。基於安全顧慮，務必在電動工具完全靜止時才能檢查充電電池的電量。

按一下電量指示器按鈕  或 , 即可顯示目前的電量。即使已取出充電電池，此項功能仍可正常運作。

按壓電量顯示按鈕後，LED 燈若未亮起，即表示充電電池故障，必須予以更換。

充電電池型號 GBA 18V...



LED	容量
3 顆綠燈持續亮起	60-100 %
2 顆綠燈持續亮起	30-60 %
1 顆綠燈持續亮起	5-30 %
1 顆綠燈呈閃爍狀態	0-5 %

充電電池型號 ProCORE18V...



LED	容量
5 顆綠燈持續亮起	80-100 %
4 顆綠燈持續亮起	60-80 %
3 顆綠燈持續亮起	40-60 %
2 顆綠燈持續亮起	20-40 %
1 顆綠燈持續亮起	5-20 %
1 顆綠燈呈閃爍狀態	0-5 %

如何正確地使用充電電池

妥善保護充電電池，避免濕氣和水分滲入。

充電電池必須儲存在 -20 °C 至 50 °C 的環境中。

夏天不可以把充電電池擱置在汽車中。

偶爾用柔軟、乾淨且乾燥的毛刷清潔充電電池的通氣孔。

充電後如果充電電池的使用時間明顯縮短，代表充電電池已經損壞，必須更換新的充電電池。

請您遵照廢棄物處理相關指示。

安裝

- ▶ 在電動工具上進行任何作業之前（例如維修，更換工具等等），請將機器中的電池取出。若是不小心觸動起停開關，可能造成人員受傷。

輔助手柄

- ▶ 操作電動工具時務必使用輔助手柄 (16)。
- ▶ 確保輔助手柄始終牢固鎖緊。否則您可能在作業時無法再控制電動工具。

翻轉輔助手柄（請參考圖 A）

輔助手柄 (16) 可隨意翻轉，以便採取一個穩固而不容易感到疲勞的工作姿勢。

- 逆時針旋轉輔助手柄 (16) 的下方握把處，以便將輔助手柄 (16) 轉至所需位置。然後再順時針旋轉輔助手柄 (16) 的下方握把處，將它重新鎖緊。

注意，輔助手柄的固定套圈必須位於機殼上的固定套圈專屬凹槽中。

更換工具



您可以利用 ONECHUCK 夾頭輕鬆方便地使用 SDS plus 嵌件工具、圓柱和六角嵌件工具，而無需使用額外的工具或更換夾頭。

防塵蓋 (3) 可阻止鑽孔時所產生的大部份粉塵侵入工具夾座。安裝工具時要小心，請勿損壞防塵蓋 (3)。

- ▶ 防塵蓋若有受損，應立即更換。最好委託本公司的顧客服務處換裝。

更換工具 (SDS plus)

裝上 SDS plus 嵌件工具（請參考圖 B1-B2）

- 單手握住快速夾頭的後套筒 (5)。用另一隻手旋轉前端套筒 (4) 將工具夾頭完全打開。
- 清潔 SDS plus 嵌件工具的插入端並塗上少許潤滑油脂。
- 將 SDS plus 嵌件工具轉進工具夾頭，直到其自動鎖定為止。
- 拉動工具以確認它是否已正確鎖止。

SDS plus 嵌件工具是活動的。因此在無負載狀態下此類工具會偏心旋轉。開始鑽孔時此工具便會自動置中，所以上述現象並不會影響鑽孔的準確度。

取下 SDS plus 嵌件工具（請參考圖 B3）

- 將後端套筒 (5) 向後推動，並取下 SDS plus 嵌件工具。

工具更換（圓柱柄、六角）

安裝嵌件工具（請參考圖 C1）

提示：請勿使用非 SDS plus 系統的工具進行鎚擊鑽孔！非 SDS plus 系統的工具和夾頭會在進行鎚擊鑽孔時受損。

提示：只可在鑽孔操作模式使用具圓柱柄或六角柄的工具。

- ▶ 不可透過啟動電動工具的方式來關閉夾頭。鑽頭可能拋出而造成受傷危險。

提示：只可使用具圓柱柄或六角柄，且柄徑為 6 至 10 mm 的嵌件工具。

- 請將鎚擊 / 旋轉停止開關 (13) 轉至「鑽孔」位置。
 - 單手握住快速夾頭的後套筒 (5)。用另一隻手旋轉前端套筒 (4)，直到工具夾座打開至能夠裝入嵌件工具。
 - 將圓柱或六角嵌件工具裝入夾頭。
 - 用一手握緊後端套筒 (5)，然後用另一隻手順箭頭方向施力旋轉前端套筒 (4)，直到聽見卡上的聲音。
 - 透過拉動，確認工具是否已裝牢。
- 只要當電動工具未啟動時，才可裝入嵌件工具。

取出嵌件工具（請參考圖 C2）

- 單手握住快速夾頭的後套筒 (5)。用另一隻手順箭頭方向旋轉前端套筒 (4) 打開工具夾座，直到能取下嵌件工具為止。
- 請取下嵌件工具。

- ▶ 不可透過啟動電動工具的方式來打開夾頭。鑽頭可能拋出而造成受傷危險。

吸除廢塵 / 料屑

含鉛顏料、部分木材種類、礦石和金屬的加工廢塵有害健康。機器操作者或施工現場附近的人員如果接觸、吸入這些廢塵，可能會引發過敏反應或感染呼吸道疾病。

某些塵埃（例如加工橡木或山毛櫸的廢塵）可能致癆，特別是與處理木材的添加劑（例如木材的防腐劑等）結合之後。唯有受過專業訓練的人才能夠進行含石棉物料的加工。

- 儘可能使用適合物料的吸塵裝置。
- 工作場所要保持空氣流通。
- 建議佩戴 P2 過濾等級的口罩。

請留意並遵守貴國的物料加工相關法規。

- ▶ 避免讓工作場所堆積過多的塵垢。塵埃容易被點燃。

操作

操作機器

設定操作模式

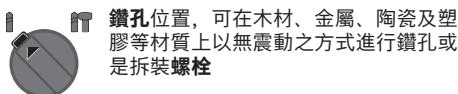
您可利用鎚擊 / 旋轉停止開關 (13) 選擇電動工具的操作模式。

- 若要切換操作模式，請按壓解鎖按鈕 (12) 並將鎚擊 / 旋轉停止開關 (13) 轉至所需位置，此時應要聽見卡上的聲音。

提示：請務必在電動工具關閉電源時才變更操作模式！否則可能造成電動工具損壞。

鎚擊鑽孔位置，適用於混凝土或石材





設定旋轉方向 (請參考圖 D)

透過正逆轉開關 (8) 即可變更電動工具的旋轉方向。但按下起停開關 (10) 時，將無法這樣做。

▶ 電動工具靜止時，才能操作正逆轉開關 (8)。

進行鎚擊鑽孔及一般鑽孔時，都必須設為正轉。

– **正轉：**若要旋入螺栓及旋緊螺母，請將正逆轉開關 (8) 往左推到底。

– **逆轉：**若要鬆開或旋出螺栓與螺母，請將正逆轉開關 (8) 往右推到底。

提示：正逆轉開關位於中間位置時，起停開關為鎖定狀態。

啟動 / 關閉

– 若要啟動電動工具：按下起停開關 (10)。

輕按起停開關 (10) 或完全按下時，工作燈 (14) 隨即亮起，可照亮光線不足的工作區域。

– 放開起停開關 (10)，即可讓電動工具停止運轉。

在低溫的工作環境中，必須經過短暫的暖機，電動工具才能夠發揮最大的鎚擊 / 衝擊功率。

調整轉速 / 鎚擊次數

您可為已啟動的電動工具無段調控轉速 / 衝擊次數，轉速是由按壓起停開關 (10) 的深度決定。

輕按起停開關 (10) 時，轉速 / 衝擊次數較低。逐漸在開關上加壓，轉速 / 衝擊次數也會跟著提高。

作業注意事項

調整鑽孔深度 (請參考圖 E)

您可利用限深器 (17) 設定所需鑽孔深度 X。

- 請按壓限深器調整按鈕 (15) 然後將限深器安裝到輔助手柄 (16)。
- 限深器 (17) 上的刻紋必須朝下。
- 將 SDS plus 嵌件工具往 SDS plus 工具夾頭推入到底。SDS plus 嵌件工具若未確實裝好，會影響深度設定的準確性。
- 將限深器拉出，使鑽頭尖端與限深器尖端之間的距離等於所需的鑽孔深度 X。

過載扭力

- ▶ 如果工具卡住了，傳往主軸的動力會中斷。請務必用雙手握穩電動工具並採取穩固站姿，以隨時承受此時出現的作用力。
- ▶ 如果電動工具卡死，請關閉電動工具的電源，然後鬆開嵌件工具。啟動機器時如果安裝在機器上的鑽孔工具被卡住了，會產生高的反作用扭力。

快關功能 (KickBack Control)




與未配備 KickBack Control 的電動工具相較之下，快關功能 (KickBack Control) 可讓您更容易掌控電動工具，因此操作人員的安全性也就隨之獲得更多保障。電動工具的鑽孔轉軸只要一有非預期性的突旋旋轉動作，將立即停機。

– 此時若想繼續操作，則須將起停開關 (10) 放開後再重新按壓。

電動工具上的工作燈 (14) 閃爍即代表快關功能啟用。

減震裝置

 **Vibration Control** 內建減震裝置，可減緩震動。

▶ 如果減震裝備損壞了，勿繼續使用電動工具。

電子穩定控制系統



電子穩定控制系統可在空轉和特定負載條件下保持恆定轉速。此可確保穩定的工作性能。

裝上螺絲起子工具頭 (請參考圖 F)

▶ 電動工具應先停止運轉，然後才放到螺母 / 螺栓上。轉動中的嵌件工具可能會滑開。

若要使用起子工具頭，您需要具有 SDS plus 接頭柄的通用工具頭夾持器 (18) 或具有圓柱柄或六角柄的通用工具頭夾持器 (19)。

裝入具有 SDS plus 接頭柄的通用工具頭夾持器

- 清潔接頭柄的末端並且塗上少許潤滑油脂。
- 把工具頭通用夾持器 (18) 轉進工具夾座中，必須轉至工具頭通用夾持器自動鎖定為止。
- 拉動工具頭通用夾持器，以確認夾頭是否已確實鎖止。
- 把螺絲起子工具頭插入工具頭通用夾持器 (18) 中。必須使用與螺絲頭大小相符的螺絲起子工具頭。
- 若要取下通用工具頭夾持器 (18)，請將鎖定套筒往後推，然後將通用工具頭夾持器從工具夾座中取出即可。

裝入具有圓柱柄或六角柄的通用工具頭夾持器

- 裝入具有圓柱柄或六角柄的通用工具頭夾持器 (19)。請按裝入嵌件工具 (參見「安裝嵌件工具 (請參考圖 C1)」，頁 38) 的方式操作。
- 拉動工具頭通用夾持器，以確認夾頭是否已確實鎖止 (19)。
- 把螺絲起子工具頭插入工具頭通用夾持器 (19) 中。必須使用與螺絲頭大小相符的螺絲起子工具頭。
- 若要取通用工具頭夾持器 (19)，請按取下嵌件工具 (參見「取出嵌件工具 (請參考圖 C2)」，頁 38) 的方式操作。

固定防墜設備 (請參考圖 G)

提示：為防止電動工具掉落，應使用適用於系統重量的防墜設備 (21)。防墜設備的最大允許長度為 1,8 m。務必遵守電動工具上允許的固定區域 (20)。

所使用的防墜設備最好是帶有拉桿的吊帶或帶有減震器的防墜設備。

固定防墜設備 (21) 時，務必遵守其操作說明書。

▶ 請務必將防墜設備的另一側固定到穩固的結構 (例如建築物或鷹架) 上，切勿固定在使用者自己身上。

自由墜落保護裝置必須能活動自如，並且只能連接到錨定點 (22) 和電動工具上允許的固定區域。

(20)

選擇錨定點 (22)，以便電動工具在墜落時可以自由落入防墜裝置，而不會纏住或危及使用者。切勿在裝有吸塵裝置的電動工具上使用防墜設備。

維修和服務

保養與清潔

- ▶ 在電動工具上進行任何作業之前（例如維修，更換工具等等），請將機器中的電池取出。若是不小心觸動起停開關，可能造成人員受傷。
 - ▶ 電動工具和通風口都必須保持清潔，這樣才能夠提高工作品質和安全性。
 - ▶ 防塵蓋若有受損，應立即更換。最好委託本公司的顧客服務處換裝。
- 每次使用後，請清潔工具夾座。

顧客服務處和顧客諮詢中心

本公司顧客服務處負責回答有關本公司產品的維修、維護和備用零件的問題。以下的網頁中有分解圖和備用零件相關資料：www.bosch-pt.com
如果對本公司產品及其配件有任何疑问，博世應用諮詢小組很樂意為您提供協助。

當您需要諮詢或訂購備用零件時，請務必提供本產品型號銘牌上 10 位數的產品機號。

台灣進口商

台灣羅伯特博世股份有限公司

建國北路一段90 號6 樓

台北市10491

電話: (02) 7734 2588

傳真: (02) 2516 1176

www.bosch-pt.com.tw

製造商地址:

Robert Bosch Power Tools GmbH

羅伯特·博世電動工具有限公司

70538 Stuttgart / GERMANY

70538 斯圖加特/ 德國

以下更多客戶服務處地址:

www.bosch-pt.com/serviceaddresses

搬運

建議使用的鋰離子充電電池受危險物品法的規範。使用者無須另外使用保護包裝便可運送該充電電池。

但是如果將它交由第三者運送（例如：寄空運或委託運輸公司），則應遵照包裝與標示的相關要求。此時必須向危險物品專家請教有關寄送危險物品的相關事宜。

確定充電電池的外殼未受損後，才可以寄送充電電池。用膠帶貼住裸露的接點並妥善包裝充電電池，不可以讓充電電池在包裝材料中晃動。同時也應留意各國相關法規。

廢棄物處理



必須以符合環保的方式，將損壞的電動工具、充電電池、配件和包裝材料進行回收再利用。



不可以把電動工具和充電電池 / 拋棄式電池丟入一般家庭垃圾中!

充電電池 / 拋棄式電池:

鋰離子:

請注意「搬運」段落中的指示（參見「搬運」，頁 40）。

ไทย

กฎระเบียบเพื่อความปลอดภัย

คำเตือนเพื่อความปลอดภัยทั่วไปสำหรับเครื่องมือไฟฟ้า

⚠ คำเตือน อ่านคำเตือนเพื่อความปลอดภัย คำแนะนำ ภาพประกอบ และข้อมูล

จำเพาะทั้งหมดที่จัดส่งมาพร้อมกับเครื่องมือไฟฟ้า

การไม่ปฏิบัติตามคำแนะนำทั้งหมดที่ระบุไว้ด้านล่างนี้อาจทำให้ถูกไฟฟ้าดูด เกิดไฟไหม้ และ/หรือได้รับบาดเจ็บอย่างร้ายแรง

เก็บรักษาคำเตือนและคำสั่งทั้งหมดสำหรับเปิดอ่านในภายหลัง

คำว่า "เครื่องมือไฟฟ้า" ในคำเตือนหมายถึง เครื่องมือไฟฟ้าของท่านที่ทำงานด้วยพลังงานไฟฟ้าจากแหล่งจ่ายไฟหลัก (มีสายไฟฟ้า) และเครื่องมือไฟฟ้าที่ทำงานด้วยพลังงานไฟฟ้าจากแบตเตอรี่ (ไร้สาย)

ความปลอดภัยในสถานที่ทำงาน

- ▶ รักษาสถานที่ทำงานให้สะอาดและมีไฟส่องสว่างดี สถานที่ที่มีมืดหรือรกรุงรังนำมาซึ่งอุบัติเหตุ
- ▶ อย่าใช้เครื่องมือไฟฟ้าทำงานในสภาพบรรยากาศที่จุดติดไฟได้ เช่น ในที่มีมีของเหลวไวไฟ ก๊าซ หรือฝุ่น เมื่อใช้เครื่องมือไฟฟ้าจะเกิดประกายไฟซึ่งอาจจุดฝุ่นหรือไอให้ลุกเป็นไฟได้
- ▶ ขณะใช้เครื่องมือไฟฟ้าทำงาน ต้องกั้นเด็กและผู้อื่นดูให้ห่าง การหันเหความสนใจอาจทำให้ท่านขาดการควบคุมเครื่องมือ

ความปลอดภัยเกี่ยวกับไฟฟ้า

- ▶ ปลั๊กของเครื่องมือไฟฟ้าต้องเหมาะสมพอดีกับเต้าเสียบ อย่าตัดแปลงปลั๊กไม่ว่าในลักษณะใดๆ อย่างเด็ดขาด อย่าใช้ปลั๊กพ่วงต่อใดๆ กับเครื่องมือไฟฟ้าที่มีสายดิน

ปลั๊กที่ไม่ได้แปลงและเต้าเสียบที่เข้ากันช่วยลดความเสี่ยงจากการถูกไฟฟ้าดูด

- ▶ **หลีกเลี่ยงอย่าให้ร่างกายสัมผัสกับพื้นผิวที่ต่อสายดินหรือลงกราวด์ไว้ เช่น ท่อ เครื่องทำความร้อน เตา และตู้เย็น** จะเสี่ยงอันตรายจากการถูกไฟฟ้าดูดมากขึ้นหากกระแสไฟฟ้าวิ่งผ่านร่างกายของท่านลงดิน
- ▶ **อย่าให้เครื่องมือไฟฟ้าถูกฝนหรืออยู่ในสภาพเปียกชื้น** หากน้ำเข้าในเครื่องมือไฟฟ้า จะเพิ่มความเสี่ยงจากการถูกไฟฟ้าดูด
- ▶ **อย่าใช้สายไฟฟ้าในทางที่ผิด อย่าใช้สายไฟฟ้าเพื่อยก ดึง หรือถอดปลั๊กเครื่องมือไฟฟ้า** กันสายไฟฟ้าออกจากความร้อน น้ำมัน ขอบแหลมคม หรือชิ้นส่วนที่เคลื่อนที่ สายไฟฟ้าที่ชำรุดหรือพันกันยุ่งเพิ่มความเสี่ยงจากการถูกไฟฟ้าดูด
- ▶ **เมื่อใช้เครื่องมือไฟฟ้าทำงานกลางแจ้ง ให้ใช้สายไฟต่อที่เหมาะสมสำหรับการใช้งานกลางแจ้ง** การใช้สายไฟต่อที่เหมาะสมสำหรับงานกลางแจ้งช่วยลดอันตรายจากการถูกไฟฟ้าดูด
- ▶ **หากไม่สามารถหลีกเลี่ยงการใช้เครื่องมือไฟฟ้าทำงานในสภาพที่เปียกชื้นได้ ให้ใช้สวิตช์ตัดวงจรเมื่อเกิดการรั่วไหลของไฟฟ้าจากสายดิน (RCD) การใช้สวิตช์ตัดวงจรเมื่อเกิดการรั่วไหลของไฟฟ้าจากสายดินช่วยลดความเสี่ยงต่อการถูกไฟฟ้าดูด**

ความปลอดภัยของบุคคล

- ▶ **ท่านต้องอยู่ในสภาพเตรียมพร้อม ระวังวังวนในสิ่งที่ท่านกำลังทำอยู่ และมีสติขณะใช้เครื่องมือไฟฟ้าทำงาน** อย่าใช้เครื่องมือไฟฟ้าขณะที่ท่านกำลังเหนื่อย หรืออยู่ภายใต้การครอบงำของฤทธิ์ของยาเสพติด แอลกอฮอล์ และยา เมื่อใช้เครื่องมือไฟฟ้าทำงานในช่วงเวลาที่ท่านขาดความเอาใจใส่อาจทำให้บุคคลบาดเจ็บอย่างรุนแรงได้
- ▶ **ใช้อุปกรณ์ปกป้องร่างกาย สวมแว่นตาป้องกันเสมอ** อุปกรณ์ปกป้อง เช่น หนวดกากันฝุ่น รองเท้ากันลื่น หมวกแข็ง หรือประคบหูกันเสียงดังที่ไซตามความเหมาะสมกับสภาพการทำงาน จะลดการบาดเจ็บทางร่างกาย
- ▶ **ป้องกันการติดเครื่องโดยไม่ตั้งใจ ตรวจสอบให้แน่ใจว่าสวิตช์อยู่ในตำแหน่งปิดก่อนเชื่อมต่อเข้ากับแหล่งจ่ายไฟ และ/หรือแบตเตอรี่แพ็ค ยกหรือถือเครื่องมือ** การถือเครื่องโดยไม่ตั้งใจที่สวิตช์ หรือเสียบปลั๊กไฟฟ้าขณะสวิตช์เปิดอยู่ อาจนำไปสู่อุบัติเหตุที่ร้ายแรงได้
- ▶ **นำเครื่องมือปรับแต่งหรือปรับแปกคายออกก่อนเปิดสวิตช์เครื่องมือไฟฟ้า** เครื่องมือหรือปรับแต่งคายคายที่วางอยู่ยกส่วนของเครื่องที่กำลังหมุนจะทำให้บุคคลบาดเจ็บได้
- ▶ **อย่าเอื้อมไกลเกินไป ตั้งทำขึ้นที่มั่นคงและวางน้ำหนักให้สมดุลตลอดเวลา** ในลักษณะนี้ท่านสามารถควบคุมเครื่องมือไฟฟ้าในสถานการณ์ที่ไม่คาดคิดได้ดีกว่า
- ▶ **แต่งกายอย่างเหมาะสม** อย่าใส่เสื้อผ้าทวมหรือสวมเครื่องประดับ เข็มและเสื้อผ่าออกห่างจากชิ้นส่วนที่เคลื่อนที่ เสื้อผ้าทวม เครื่องประดับ และผมยาวอาจเข้าไปติดในชิ้นส่วนที่เคลื่อนที่

- ▶ **หากเครื่องมือไฟฟ้ามีข้อเชื่อมต่อกับเครื่องดูดฝุ่นหรือเครื่องเก็บผง ให้ตรวจสอบให้แน่ใจว่าได้เชื่อมต่อและใช้งานอย่างถูกต้อง** การใช้ข้อปกรณดูดฝุ่นช่วยลดอันตรายที่เกิดจากฝุ่นได้
- ▶ **เมื่อใช้งานเครื่องมือขึงจะเกิดความคุ้นเคย** อย่าให้ความคุ้นเคยทำให้ท่านเกิดความชะล่าใจและละเลยกฎเกณฑ์ด้านความปลอดภัยในการทำงานเครื่อง การทำงานอย่างไม่ระมัดระวังอาจทำให้เกิดการบาดเจ็บอย่างร้ายแรงภายในเสี้ยววินาที

การใช้และการดูแลรักษาเครื่องมือไฟฟ้า

- ▶ **อย่าฝืนกำลังเครื่องมือไฟฟ้า** ใช้เครื่องมือไฟฟ้าที่ถูกต้องตรงตามลักษณะงานของท่าน เครื่องมือไฟฟ้าที่ถูกต้องจะทำงานได้ดีกว่าและปลอดภัยกว่าในระดับสมรรถภาพที่ออกแบบไว้
 - ▶ **อย่าใช้เครื่องมือไฟฟ้าถ้าสวิตช์ไม่สามารถเปิดปิดได้** เครื่องมือไฟฟ้าที่ไม่สามารถควบคุมการเปิดปิดด้วยสวิตช์ได้ เป็นเครื่องมือไฟฟ้าที่ไม่ปลอดภัยและต้องส่งซ่อมแซม
 - ▶ **ก่อนปรับแต่งเครื่อง เปลี่ยนอุปกรณ์ประกอบ หรือเก็บเครื่องเข้าที่ ต้องถอดปลั๊กออกจากแหล่งจ่ายไฟ และ/หรือถอดแบตเตอรี่แพ็คออกจากเครื่องมือไฟฟ้าหากถอดออกได้** มาตรการป้องกันเพื่อความปลอดภัยนี้ช่วยลดความเสี่ยงจากการติดเครื่องโดยไม่ตั้งใจ
 - ▶ **เมื่อเลิกใช้งานเครื่องมือไฟฟ้า ให้เก็บเครื่องมือในที่ที่เด็กหยิบไม่ถึง และไม่อนุญาตให้บุคคลที่ไม่คุ้นเคยกับเครื่องมือหรือบุคคลที่ไม่ได้อ่านคำแนะนำนำเหล่ามาใช้เครื่อง** เครื่องมือไฟฟ้าเป็นของอันตรายหากตกอยู่ในมือของผู้ใช้ที่ไม่ได้รับการฝึกฝน
 - ▶ **บำรุงรักษาเครื่องมือไฟฟ้าและอุปกรณ์ประกอบ** ตรวจสอบชิ้นส่วนที่เคลื่อนที่ว่าวางไม่ตรงแนวหรือติดขัดหรือไม่ ตรวจสอบการแตกหักของชิ้นส่วนและสภาพชิ้นใดที่อาจมีผลต่อการทำงานของเครื่องมือไฟฟ้า หากชำรุดต้องส่งเครื่องมือไฟฟ้าไปซ่อมแซมก่อนใช้งาน อุบัติเหตุหลายอย่างเกิดขึ้นเนื่องจากดูแลรักษาเครื่องมือไม่ดีพอ
 - ▶ **รักษาเครื่องมือตัดได้คมและสะอาด** หากบำรุงรักษาเครื่องมือที่มีขอบตัดแหลมคมอย่างถูกต้อง จะสามารถตัดได้ลื่นไม่ติดขัดและความคมได้ง่ายกว่า
 - ▶ **ใช้เครื่องมือไฟฟ้า อุปกรณ์ประกอบ เครื่องมือ และอุปกรณ์อื่นๆ** ตรงตามคำแนะนำเหล่านี้ โดยคำนึงถึงเงื่อนไขการทำงานและงานที่จะทำ การใช้เครื่องมือไฟฟ้าทำงานที่ต่างไปจากวัตถุประสงค์การใช้งานของเครื่อง อาจนำไปสู่สถานการณ์ที่เป็นอันตรายได้
 - ▶ **ดูแลน้ำมันและพื้นผิวจับให้แห้ง สะอาด และปราศจากคราบไขมันและจาระบี** น้ำมันจับและพื้นผิวจับที่ลื่นทำให้หยิบจับได้ไม่ปลอดภัย และไม่สามารถควบคุมเครื่องมือในสถานการณ์ที่ไม่คาดคิด
- การใช้และการดูแลรักษาเครื่องมือที่แบตเตอรี่**
- ▶ **ชาร์จไฟใหม่ด้วยวิธีการที่บริษัทผู้ผลิตระบุไว้เท่านั้น** เครื่องชาร์จที่เหมาะสมสำหรับชาร์จแบตเตอรี่แพ็คประเภทหนึ่ง หากนำไปชาร์จแบตเตอรี่แพ็คประเภทอื่น อาจเกิดไฟไหม้ได้
 - ▶ **ใช้เครื่องมือไฟฟ้าเฉพาะกับแบตเตอรี่แพ็คที่กำหนดไว้เท่านั้น** การใช้แบตเตอรี่แพ็คประเภทอื่นเสี่ยงต่อการเกิดไฟไหม้หรือบาดเจ็บ

- ▶ เมื่อไม่ใช้งานแบตเตอรี่แพ็ค ให้เก็บไว้ห่างวัตถุที่เป็นโลหะอื่นๆ เช่น คลิปหนีบกระดาษ เหรียญ กุญแจ ตะปู สกรู หรือวัตถุที่เป็นโลหะขนาดเล็กอื่นๆ ที่สามารถเชื่อมต่อขั้วหนึ่งไปยังอีกขั้วหนึ่งได้ การลัดวงจรของขั้วแบตเตอรี่อาจทำให้เกิดการไหม้หรือไฟลุกได้
- ▶ หากใช้แบตเตอรี่อย่างอาจมีของเหลวไหลออกมาจากแบตเตอรี่ได้ ให้หลีกเลี่ยงการสัมผัส หากสัมผัสโดยบังเอิญให้ใช้ผ้าล้าง หากของเหลวเข้าตา ให้ขอความช่วยเหลือจากแพทย์ด้วย ของเหลวที่ไหลออกมาจากแบตเตอรี่อาจทำให้เกิดอาการคันหรือแสบผิวหนังได้
- ▶ อย่าใช้แบตเตอรี่แพ็คหรือเครื่องมือที่ชาร์จหรือตัดแปลงแบตเตอรี่ที่ชาร์จหรือตัดแปลงอาจแสดงอาการที่ไม่สามารถถอดเตาได้ ส่งผลให้เกิดไฟไหม้ ระเบิด หรือความเสี่ยงต่อการได้รับบาดเจ็บ
- ▶ อย่าให้แบตเตอรี่แพ็คหรือเครื่องมือสัมผัสไฟหรืออุณหภูมิที่สูงเกินไป หากสัมผัสไฟหรืออุณหภูมิที่สูงกว่า 130 °C อาจทำให้เกิดการระเบิดได้
- ▶ ปฏิบัติตามคำแนะนำเกี่ยวกับการชาร์จทั้งหมด และต้องไม่ชาร์จแบตเตอรี่แพ็คหรือเครื่องมือนอกช่วงอุณหภูมิที่กำหนดในคำแนะนำ การชาร์จแบตเตอรี่อย่างไม่ถูกวิธีหรือนอกช่วงอุณหภูมิที่กำหนด อาจทำให้แบตเตอรี่เสียหายและเพิ่มความเสี่ยงต่อการเกิดไฟไหม้

การบริการ

- ▶ ส่งเครื่องมือไฟฟ้าของท่านเข้ารับบริการจากช่างซ่อมที่มีคุณสมบัติเหมาะสม โดยใส่ชื่อผลิตภัณฑ์ที่เหมือนกันนั้น ในลักษณะที่ท่านจะแน่ใจได้ว่าเครื่องมือไฟฟ้าอยู่ในสภาพที่ปลอดภัย
- ▶ อย่าบำรุงรักษาแบตเตอรี่แพ็คที่ชาร์จอย่างเด็ดขาด ต้องส่งให้บริษัทผู้ผลิตหรือศูนย์บริการที่ได้ รับอนุญาตทำการบำรุงรักษาแบตเตอรี่แพ็คเท่านั้น

คำเตือนเพื่อความปลอดภัยสำหรับคอน

คำเตือนเพื่อความปลอดภัยสำหรับการทำงานทั้งหมด

- ▶ สวมประภคมือป้องกันเสียงดัง การรับฟังเสียงดังอาจทำให้สูญเสียการได้ยิน
- ▶ ใช้ตามจับเพิ่มหากจัดตั้งมาพร้อมกับเครื่องการสูญเสียการควบคุมอาจทำให้บุคคลได้รับบาดเจ็บ
- ▶ เมื่อทำงานในบริเวณที่เครื่องมือตัดหรือสกรูอาจสัมผัสสายไฟฟ้าที่ซ่อนอยู่ ต้องจับเครื่องมือไฟฟ้าตรงพื้นผิวจับที่หมุนวน หากเครื่องมือตัดและสกรูสัมผัสสายที่ “มีกระแสไฟฟ้า” ไหลผ่าน จะทำให้ชิ้นส่วนโลหะที่ไม่ได้หมุนวนของเครื่องมือไฟฟ้าเกิด “มีกระแสไฟฟ้า” ด้วย และส่งผลให้ใช้งานเครื่องถูกไฟฟ้าดูดได้

คำเตือนเพื่อความปลอดภัยเมื่อใช้ดอกสว่านยาวด้วยค้อนหมุน

- ▶ เริ่มตนเจาะด้วยความเร็วต่ำและให้ปลายดอกสว่านสัมผัสชิ้นงานเสมอ ที่ความเร็วที่สูงกว่า ดอกสว่านอาจโค้งงอเมื่อปล่อยให้หมุนอย่างอิสระโดยไม่สัมผัสชิ้นงาน และส่งผลให้ได้รับบาดเจ็บทางร่างกาย

- ▶ ใช้แรงกดให้ตรงกับแนวดอกสว่านเท่านั้นและอย่าใช้แรงกดมากเกินไป ไปดอกสว่านอาจโค้งงอทำให้แตกหักหรือสูญเสียการควบคุม และส่งผลให้ได้รับบาดเจ็บทางร่างกาย

คำแนะนำเพื่อความปลอดภัยเพิ่มเติม

- ▶ ใช้เครื่องตรวจจับที่เหมาะสมเพื่อตรวจสอบหาสายไฟฟ้าหรือท่อสาธารณูปโภคที่อาจซ่อนอยู่ในบริเวณทำงาน หรือติดต่อบริษัทสาธารณูปโภคในพื้นที่เพื่อขอความช่วยเหลือ การสัมผัสกับสายไฟฟ้าอาจทำให้เกิดไฟไหม้หรือถูกไฟฟ้าดูด การทำให้ท่อแก๊สเสียหายอาจทำให้เกิดระเบิด การเจาะเข้าในท่อน้ำ ทำให้ทรัพย์สินเสียหาย
- ▶ รอให้เครื่องมือไฟฟ้าหยุดสนิทก่อนวางเครื่องลงบนพื้น เครื่องมือที่ใส่อยู่อาจติดขัดและทำให้สูญเสียการควบคุมเครื่องมือไฟฟ้า
- ▶ ยึดชิ้นงานให้แน่น การยึดชิ้นงานด้วยเครื่องมือหรือแท่นจับจะมั่นคงกว่าการยึดด้วยมือ
- ▶ เมื่อแบตเตอรี่ชาร์จและนำไปใช้งานอย่างไม่ถูกต้องอาจมีไอระเหยออกมาได้ แบตเตอรี่อาจเผาไหม้หรือระเบิดได้ให้สูดอากาศบริสุทธิ์และไปพบแพทย์ในกรณีเจ็บปวด ไอระเหยอาจทำให้ระบบหายใจระคายเคือง
- ▶ ห้ามเปลี่ยนแปลงและเปิดแบตเตอรี่แบบชาร์จได้ อันตรายจากการลัดวงจร
- ▶ วัตถุที่แหลมคม ต. ย. เช่น ตะปูหรือไขควง หรือแรงกระทำภายนอก อาจทำให้แบตเตอรี่เสียหายได้ สิ่งเหล่านี้อาจทำให้เกิดการลัดวงจรภายในและแบตเตอรี่ไหม้ มีควันระเบิด หรือร้อนเกินไป
- ▶ ใช้เฉพาะแบตเตอรี่จากผลิตภัณฑ์ของผู้ผลิต ในลักษณะนี้ แบตเตอรี่แพ็คจะได้รับปกป้องจากการใช้งานเกินกำลังซึ่งเป็นอันตราย



ปกป้องแบตเตอรี่จากความร้อน รวมทั้ง ต. ย. เช่น จากการถูกแสงแดดส่องต่อเนื่อง จากไฟลิ่งสปริง น้ำ และความร้อน อันตรายจากการระเบิดและการลัดวงจร

- ▶ ห้ามสัมผัสเครื่องมือหรือชิ้นส่วนใดๆ ที่อยู่ติดกันหลังเสร็จสิ้นการใช้งานแล้วไม่นาน ชิ้นส่วนเหล่านี้อาจร้อนจัดระหว่างการทำงานและทำให้เกิดแผลไหม้ได้
- ▶ เครื่องมืออาจติดขัดในขณะที่เจาะ ตั้งทำขึ้นที่มั่นคงและจับเครื่องมือไฟฟ้าด้วยมือทั้งสองข้างอย่างแน่นหนา มิฉะนั้นคุณอาจสูญเสียการควบคุมเครื่องมือไฟฟ้า
- ▶ ห้ามใช้เครื่องมือไฟฟ้าไปที่ผู้ใดก็ตามในบริเวณใกล้เคียงขณะทำงาน เครื่องมืออาจปลิวหรือออกไปและทำให้เกิดการบาดเจ็บสาหัสได้
- ▶ โปรดสวมหมวกนิรภัยและแว่นตานิรภัยหรือหมวกนิรภัยเสมอ ทั้งนี้แว่นตาที่สวมเป็นปกติหรือแว่นกันแดดนั้นไม่ถือเป็นแว่นตานิรภัย
- ▶ ตรวจสอบให้เครื่องมือเข้าตำแหน่งอย่างแน่นหนาและปลอดภัยก่อนเริ่มทำงาน
- ▶ ระวังระวังตั้งทำขึ้นที่มั่นคงเสมอตรวจสอบให้แน่ใจว่าไม่มีผู้ใดอยู่ด้านล่างท่านในขณะที่ท่านใช้เครื่องมือไฟฟ้าในตำแหน่งที่สูงกว่า ต. ย. เช่น บนบันได
- ▶ อย่าเปิดหรือปิดหัวจับดอกสว่านโดยเปิดเครื่องมือไฟฟ้าสว่านอาจติดออกได้ มีความเสี่ยงต่อการบาดเจ็บ

- ▶ ห้ามใช้เครื่องมือไฟฟ้าไปผู้ใดก็ตามในบริเวณใกล้เคียงขณะทำงาน เครื่องมืออาจปลิวหรือวิ่งออกไปและทำให้เกิดการบาดเจ็บสาหัสได้
- ▶ โปรดสวมหมวกนิรภัยและแว่นตานิรภัยหรือหน้ากากนิรภัยเสมอ ทั้งนี้แว่นตาที่สวมเป็นปกติหรือแว่นกันแดดนั้นไม่ถือเป็นแว่นตานิรภัย
- ▶ ตรวจสอบให้เครื่องมือเข้าตำแหน่งอย่างแน่นหนาและปลดคัทก่อนเริ่มทำงาน
- ▶ ระมัดระวังตั้งทำยีนใหม่ขึ้นขณะตรวจสอบให้แน่ใจว่าไม่มีผู้โดยยู่กลางทางในขณะที่ทำนไขเครื่องมือไฟฟ้าในตำแหน่งที่สูงกว่า ต. ย. เช่น บนบันได
- ▶ อย่าเปิดหรือปิดหัวจับดอกสว่านโดยเปิดเครื่องมือไฟฟ้าสว่านอาจดีดออกได้ มีความเสี่ยงต่อการบาดเจ็บ
- ▶ จับเครื่องมือไฟฟ้าใหม่บนควยมือทั้งสองข้างและตั้งทำยีนใหม่บนควยมือทำงาน ท่านจะสามารถนำทางเครื่องมือไฟฟ้าได้ปลอดภัยกว่าเมื่อจับเครื่องมือทั้งสองข้าง

- (15) ปุ่มสำหรับปรับก้านวัดความลึก
 - (16) ตามจับเสริม (พื้นผิวจับหุ้มฉนวน)
 - (17) ก้านวัดความลึก
 - (18) ก้านจับดอกไขควงอเนกประสงค์พร้อมก้านติดตั้ง SDS plus^{a)}
 - (19) ก้านจับดอกไขควงอเนกประสงค์พร้อมก้านทรงกระบอกหรือก้านหกเหลี่ยม^{a)}
 - (20) พื้นที่ตั้งตั้งอุปกรณ์ป้องกันการตกหล่นที่เครื่องมือไฟฟ้า
 - (21) อุปกรณ์ป้องกันการตกหล่น^{b)}
 - (22) จุดยึดแบบตายตัวที่อุปกรณ์ป้องกันการตกหล่น^{b)}
- a) อุปกรณ์เสริมนี้ไม่อยู่ในรายการอุปกรณ์มาตรฐานที่จัดส่ง
 b) อุปกรณ์เสริมนี้ไม่อยู่ในรายการอุปกรณ์มาตรฐานที่จัดส่งและไม่อยู่ในชุดอุปกรณ์เสริมของบอช

รายละเอียดผลิตภัณฑ์และข้อมูล

จำเพาะ



อ่านค่าเตือนเพื่อความปลอดภัยและคำแนะนำทั้งหมด การไม่ปฏิบัติตามค่าเตือนและคำสั่งอาจเป็นสาเหตุให้ถูกไฟฟ้าดูด เกิดไฟไหม้ และ/หรือได้รับบาดเจ็บอย่างร้ายแรง

กรุณาดูภาพประกอบในส่วนหน้าของคู่มือการใช้งาน

ประโยชน์การใช้งานของเครื่อง

เครื่องมือไฟฟ้านี้ใช้สำหรับเจาะกระแทกในคอนกรีต อิฐ และหิน เครื่องนี้ยังเหมาะสำหรับเจาะโดยไม่กระแทกในไม้ โลหะ เซรามิก และพลาสติกอีกด้วย เครื่องมือไฟฟ้าที่มีระบบควบคุมอิเล็กทรอนิกส์และการหมุนทางซ้าย/ขวาสามารถไขขันสกรูได้ด้วย

ส่วนประกอบที่แสดงภาพ

ลำดับเลขของส่วนประกอบผลิตภัณฑ์อ้างอิงถึงส่วนประกอบของเครื่องมือไฟฟ้าที่แสดงในหน้าภาพประกอบ

- (1) หัวจับดอกสว่าน ONECHUCK
- (2) ตัวจับยึดเครื่องมือ ONECHUCK
- (3) ฝาครอบกันฝุ่น
- (4) ปลอกหน้า
- (5) ปลอกหลัง
- (6) ตัวหน่วงการสั่นสะเทือน
- (7) แม่เหล็กดูดแบตเตอรี่แบบชาร์จได้^{a)}
- (8) สวิตช์ปรับทิศทางการหมุน
- (9) ตามจับ (พื้นผิวจับหุ้มฉนวน)
- (10) สวิตช์เปิด-ปิด
- (11) แบตเตอรี่แบบชาร์จได้^{a)}
- (12) ปุ่มปลดล็อกสวิตช์หยุดกระแทก/หยุดหมุน
- (13) สวิตช์หยุดกระแทก/หยุดหมุน
- (14) ไฟส่องบริเวณทำงาน

ข้อมูลทางเทคนิค

ส่วนเจาะกระแทกไร้สาย		GBH 18V-18 X	
หมายเลขสินค้า		3 611 J27 1..	
แรงดันไฟฟีกัด	V=		18
ความเร็วรอบฟีกัด ^{A)}	นาที ⁻¹		900
อัตราการกระแทก ^{A)}	นาที ⁻¹		5000
ตัวจับยึดเครื่องมือ			- SDS plus - ก้านกลม - ก้านหกเหลี่ยม
ช่วงเคลมปรับจับดอกสว่านตามทรงกระบอก	มม.		6-10
∅ สูงสุดในการเจาะ			
- คอนกรีต	มม.		18
- เหล็กกล้า	มม.		10
- ไม้	มม.		18
น้ำหนัก ^{B)}	กก.		2.2 กก. (1.5 แอมแปร์ชั่วโมง)- 3.2 กก. (12.0 แอมแปร์ชั่วโมง)
อุณหภูมิโดยรอบที่แนะนำเมื่อชาร์จ	°C		0 ... +35
อุณหภูมิโดยรอบที่อนุญาตเมื่อใช้งาน ^{C)} และเมื่อจัดเก็บ	°C		-20 ... +50
แบตเตอรี่ที่ใช้งานร่วมกันได้			GBA 18V... ProCORE18V...

ส่วนเจาะกระแทกไร้สาย	GBH 18V-18 X
เครื่องชาร์จที่แนะนำ	GAL 18...
	GAX 18...
	GAL 36...

A) ดำเนินการวัด ณ อุณหภูมิ 20–25 °C พร้อมแบตเตอรี่ **GBA 18V 4.0Ah**

B) ขึ้นอยู่กับแบตเตอรี่แพ็คที่ใช้

C) สมรรถภาพจะน้อยลงที่อุณหภูมิ < 0 °C

ข้อมูลทางเทคนิคกำหนดโดยใช้แบตเตอรี่แพ็คที่จัดส่งมา

ค่าอาจแตกต่างกันไปตามผลิตภัณฑ์และขึ้นอยู่กับเงื่อนไขด้านการใช้งานและสภาพแวดล้อม โปรดดูข้อมูลเพิ่มเติมที่เว็บไซต์

www.bosch-professional.com/wac

แบตเตอรี่

Bosch จำหน่ายเครื่องมือไฟฟ้าไร้สายไม่รวมแบตเตอรี่แพ็คด้วยเช่นกัน คุณสามารถดูได้จากบรรจุภัณฑ์ว่า ขอบเขตการจัดส่งเครื่องมือไฟฟ้าของคุณมีแบตเตอรี่แพ็คหรือไม่

การชาร์จแบตเตอรี่

► **ใช้เฉพาะเครื่องชาร์จแบตเตอรี่ที่ระบุในข้อมูลทางเทคนิคเท่านั้น** เฉพาะเครื่องชาร์จแบตเตอรี่เหล่านี้เท่านั้นที่เข้าชุดกับแบตเตอรี่ลิเธียม ไอออน ของเครื่องมือไฟฟ้าของท่าน

หมายเหตุ: แบตเตอรี่ลิเธียม ไอออนถูกจัดส่งโดยมีการชาร์จไฟบางส่วนตามระเบียบข้อบังคับด้านการขนส่งระหว่างประเทศ เพื่อให้แน่ใจว่าแบตเตอรี่จะทำงานได้อย่างสมบูรณ์แบบ ก่อนใช้งานครั้งแรกให้ชาร์จแบตเตอรี่จนเต็ม

การใส่แบตเตอรี่

ใส่แบตเตอรี่ที่ชาร์จแล้วเข้าไปในตำแหน่งล็อก

การถอดแบตเตอรี่



เมื่อต้องการถอดแบตเตอรี่แพ็คออก ให้กดปุ่มปลดล็อกแบตเตอรี่และดึงแบตเตอรี่แพ็คออกจากเครื่องมือไฟฟ้า

อย่าใช้กำลังดึง
แบตเตอรี่แพ็คมีการล็อก 2 ระดับเพื่อป้องกันไม่ให้แบตเตอรี่แพ็คร่วงหลุดออกมาหากกดปุ่มปลดล็อกแบตเตอรี่โดยไม่ตั้งใจ เมื่อแบตเตอรี่ถูกบรรจุอยู่ในเครื่องมือไฟฟ้า สปริงจะยึดแบตเตอรี่ให้เข้าตำแหน่ง

ไฟแสดงสถานะการชาร์จแบตเตอรี่

หมายเหตุ: ไม่ใช่แบตเตอรี่ทุกประเภทที่จะมีไฟแสดงระดับการชาร์จ

ไฟ LED สีเขียวของการแสดงสถานะการชาร์จแบตเตอรี่แสดงสถานะการชาร์จของแบตเตอรี่ ด้วยเหตุผลด้านความปลอดภัยท่านสามารถตรวจสอบสถานะการชาร์จเฉพาะเมื่อเครื่องมือไฟฟ้าหยุดสนิทเท่านั้น

กดปุ่มสำหรับไฟแสดงสถานะการชาร์จแบตเตอรี่  หรือ  เพื่อแสดงสถานะการชาร์จ ท่านสามารถกดได้แม้เมื่อถอดแบตเตอรี่ออกแล้ว

หลังจากกดปุ่มสำหรับไฟแสดงสถานะการชาร์จแบตเตอรี่แล้วไฟ LED ไม่ติดขึ้น แสดงว่าแบตเตอรี่พร้อมและต้องเปลี่ยนใหม่

แบตเตอรี่ชนิด GBA 18V...



LED	ความจุ
ไฟส่องสว่างต่อเนื่อง 3× สีเขียว	60–100 %
ไฟส่องสว่างต่อเนื่อง 2× สีเขียว	30–60 %
ไฟส่องสว่างต่อเนื่อง 1× สีเขียว	5–30 %
ไฟกะพริบ 1× สีเขียว	0–5 %

แบตเตอรี่ชนิด ProCORE18V...



LED	ความจุ
ไฟส่องสว่างต่อเนื่อง 5× สีเขียว	80–100 %
ไฟส่องสว่างต่อเนื่อง 4× สีเขียว	60–80 %
ไฟส่องสว่างต่อเนื่อง 3× สีเขียว	40–60 %
ไฟส่องสว่างต่อเนื่อง 2× สีเขียว	20–40 %
ไฟส่องสว่างต่อเนื่อง 1× สีเขียว	5–20 %
ไฟกะพริบ 1× สีเขียว	0–5 %

ข้อแนะนำในการปฏิบัติต่อแบตเตอรี่อย่างเหมาะสมที่สุด

ปกป้องแบตเตอรี่จากความชื้นและน้ำ

เก็บรักษาแบตเตอรี่แพ็คในช่วงอุณหภูมิ -20 °C ถึง 50 °C เท่านั้น อย่าปล่อยให้วางแบตเตอรี่แพ็คไว้ในรถยนต์ในช่วงฤดูร้อน

ทำความสะอาดช่องระบายอากาศเป็นครั้งคราวโดยใช้แปรงขนอ่อนที่แห้งและสะอาด

หลังจากชาร์จแบตเตอรี่แล้ว หากแบตเตอรี่แพ็คมีช่วงเวลาทำงานสั้นมาก แสดงว่าแบตเตอรี่แพ็คเสื่อมและต้องเปลี่ยนใหม่

อ่านและปฏิบัติตามข้อสั่งสำหรับการกำจัดขยะ

การติดตั้ง

► **โปรดถอดแบตเตอรี่แบบชาร์จได้ออกจากเครื่องมือไฟฟ้าก่อนการทำงานทุกประเภทที่เครื่องมือไฟฟ้า (เช่น การบำรุงรักษา การเปลี่ยนเครื่องมือ เป็นต้น)** เนื่องจากการสั่งงานสวิตช์เปิด/ปิดโดยไม่ตั้งใจขณะทำงานดังกล่าวอาจก่อให้เกิดความเสี่ยงต่อการบาดเจ็บได้

คำมับเพิ่ม

► **ใช้เครื่องมือไฟฟ้าร่วมกับคำมับเพิ่ม (16) เสมอ**
► **ตรวจสอบให้แน่ใจว่า ไคซ์ที่จับเสริมให้แน่นเสมอ** มิฉะนั้นคุณอาจสูญเสียการควบคุมเครื่องมือไฟฟ้าขณะทำงานได้

การหมุนด้ามจับเพิ่ม (ดูภาพประกอบ A)

ท่านสามารถจับด้ามจับเพิ่ม (16) หนีไปยังตำแหน่งใดก็ได้ เพื่อให้ได้ท่าทำงานที่มั่นคงและเหนื่อยน้อย

- หมุนก้านจับด้านล่างของด้ามจับเพิ่ม (16) ทวนเข็มนาฬิกา และหันด้ามจับเพิ่ม (16) ไปยังตำแหน่งที่ต้องการ จากนั้นจึงหมุนก้านจับด้านล่างของด้ามจับเพิ่ม (16) ในทิศตามเข็มนาฬิกากลับเข้าที่ให้แน่น ตรวจสอบให้แน่ใจว่าสายรัดปรับความตึงของด้ามจับเพิ่มอยู่ในร่องที่ตัวเครื่อง

การเปลี่ยนเครื่องมือ



คุณสามารถใช้หัวจับดอกสว่าน ONECHUCK เพื่อให้สามารถใช้งานเครื่องมือเจาะ SDS plus เครื่องมือเจาะแบบก้านกลม และเครื่องมือเจาะแบบก้านหกเหลี่ยมได้อย่างสะดวกและง่ายโดยไม่ต้องใช้เครื่องมือเพิ่มเติมหรือไม่จำเป็นต้องเปลี่ยนหัวจับดอกสว่าน

ฝาครอบกันฝุ่น (3) ส่วนใหญ่จะป้องกันไม่ให้ฝุ่นที่เกิดจากการเจาะหลุดเข้าไปในด้ามจับเครื่องมือในระหว่างการใช้งาน เมื่อใส่เครื่องมือต้องระวังอย่าให้ฝาครอบกันฝุ่น (3) เสียหาย

- ▶ **ต้องเปลี่ยนฝาครอบกันฝุ่นที่ชำรุดโดยทันที เราขอแนะนำว่า ควรส่งให้ศูนย์บริการหลังการขายเปลี่ยนให้**

การเปลี่ยนเครื่องมือ (SDS plus)

การใส่เครื่องมือเจาะ SDS plus (ดูภาพประกอบ B1-B2)

- ยึดปลอกหลัง (5) ของหัวจับดอกสว่านด้วยมือเดียว ให้เปิดที่จับเครื่องมือจนสุดโดยหมุนปลอกคานหนา (4)
- ทำความสะอาดปลายก้านติดตั้งของเครื่องมือเจาะ SDS plus และเคลือบจาระบีบางๆ
- จับเครื่องมือเจาะ SDS plus หมุนใส่ในด้ามจับเครื่องมือจนเขาล็อคโดยอัตโนมัติ
- ดึงเครื่องมือเพื่อตรวจสอบการล็อค

เครื่องมือเจาะ SDS plus สามารถเคลื่อนไหวได้อย่างอิสระตามเงื่อนไขการทำงานของบริษัท ดังนั้นเมื่อเดินตัวเปล่า เครื่องมือจะวิ่งสายจากแนวรัศมี การวิ่งดังกล่าวจะไม่มีผลกระทบต่อความเที่ยงตรงของรูเจาะ เนื่องจากดอกสว่านจะปรับศูนย์กลางได้เองระหว่างการเจาะ

การถอดเครื่องมือเจาะ SDS plus (ดูภาพประกอบ B3)

- ดันปลอกหลัง (5) ไปด้านหลังและถอดเครื่องมือเจาะ SDS plus ออก

เปลี่ยนเครื่องมือ (ด้ามทรงกระบอก, หกเหลี่ยม)

การใส่เครื่องมือ (ดูภาพประกอบ C1)

หมายเหตุ: อย่าใช้เครื่องมือที่ไม่มี SDS plus สำหรับงานเจาะกระแทก! เครื่องมือที่ไม่มี SDS plus และหัวจับดอกเครื่องมืออาจได้รับความเสียหายขณะทำงานเจาะกระแทก

หมายเหตุ: ใช้เครื่องมือที่มีด้ามทรงกระบอกหรือด้ามหกเหลี่ยมในโหมดเจาะเท่านั้น

- ▶ **อย่าปิดหัวจับดอกสว่านโดยเปิดเครื่องมือไฟฟ้า** ส่วนอาจติดออกได้ มีความเสี่ยงต่อการบาดเจ็บ

หมายเหตุ: ใช้เครื่องมือใช้งานที่มีด้ามทรงกระบอกหรือด้ามหกเหลี่ยมที่มีเส้นผ่านศูนย์กลางตาม 6 ถึง 10 มม. เท่านั้น

- หมุนสวิตช์หยุดกระแทก/หยุดหมุน (13) ไปที่ตำแหน่ง "การเจาะ"

- ยึดปลอกหลัง (5) ของหัวจับดอกสว่านด้วยมือเดียว เปิดตามจับเครื่องมือโดยหมุนปลอกหนา (4) ด้วยมืออีกข้างจนสามารถใส่เครื่องมือเข้าไปได้
- ใส่เครื่องมือรูปทรงกระบอกหรือหกเหลี่ยมลงในหัวจับดอกสว่าน
- จับปลอกหลัง (5) ให้แน่นด้วยมือข้างเดียว และหมุนปลอกหนา (4) ด้วยมืออีกข้างไปในทิศทางกำหนัดจนเข้าที่แน่นจนได้ยินเสียงคลิก
- ดึงเครื่องมือเพื่อตรวจสอบการเข้าในตำแหน่งอย่างแน่นหนา

ใช้เครื่องมือเมื่อเครื่องมือไฟฟ้าปิดสวิตช์อยู่เท่านั้น

การถอดเครื่องมือ (ดูภาพประกอบ C2)

- ยึดปลอกหลัง (5) ของหัวจับดอกสว่านด้วยมือเดียว เปิดตามจับเครื่องมือโดยหมุนปลอกหนา (4) ตามทิศทางลูกศรด้วยมืออีกข้าง จนสามารถใส่เครื่องมือเข้าไปได้
- ถอดเครื่องมือออก

- ▶ **อย่าเปิดหัวจับดอกสว่านโดยเปิดเครื่องมือไฟฟ้า** ส่วนอาจติดออกได้ มีความเสี่ยงต่อการบาดเจ็บ

การดูดฝุ่น/ขี้เลื่อย

ฝุ่นที่ไต่จากวัสดุ เช่น เคลือบผิวที่มีสารตะกั่ว ไม้ยางประเภทแรธาตุ และโลหะ อาจเป็นอันตรายต่อสุขภาพ การสัมผัสหรือการหายใจเอาฝุ่นเข้าไปอาจทำให้เกิดปฏิกิริยาแพ้ฝุ่น และ/หรือนำมาซึ่งโรคติดเชื้อระบบหายใจแก่ผู้

ใช้เครื่องมือหรือผู้ที่ขึ้นอยู่กับโอกาส

- ฝุ่นบางประเภท เช่น ฝุ่นไม้โอ๊ก หรือไม้บีช นับเป็นสารที่ทำให้เกิดมะเร็ง โดยเฉพาะอย่างยิ่งเมื่อผสมกับสารเติมแต่งเพื่อบำบัดไม้ (โครเมต ฟลิตกัมทริกษาเนื้อไม้) สำหรับวัสดุที่มีแอสเบสผสมต้องให้ผู้เชี่ยวชาญทำงานเท่านั้น
- ใช้ระบบดูดฝุ่นออกที่เหมาะสมกับประเภทวัสดุ มากเท่าที่จะทำได้

- จัดสถานที่ทำงานให้มีการระบายอากาศที่ดี
- ขอแนะนำให้สวมหน้ากากป้องกันการติดเชื้อที่มีระดับ-ใส่กรอง P2

ปฏิบัติตามกฎข้อบังคับสำคัญอื่น ๆ ที่เกี่ยวกับวัสดุชิ้นงานที่ยังคงใช้ในประเทศของท่าน

- ▶ **ป้องกันการสะสมของฝุ่นในสถานที่ทำงาน** ฝุ่นสามารถถูกไหม้อย่างง่ายดาย

การปฏิบัติงาน

การเริ่มต้นปฏิบัติงาน

การตั้งโหมดทำงาน

ท่านสามารถเลือกโหมดทำงานของเครื่องมือไฟฟ้าด้วยสวิตช์หยุดกระแทก/หยุดหมุน (13)

- เมื่อต้องการเปลี่ยนโหมดทำงาน ให้กดปุ่มปลดล็อค (12) และหมุนสวิตช์หยุดกระแทก/หยุดหมุน (13) ไปยังตำแหน่งที่ต้องการจนได้ยินเสียงเขาล็อค

หมายเหตุ: เปลี่ยนโหมดทำงานเฉพาะเมื่อเครื่องมือไฟฟ้าปิดสวิตช์อยู่เท่านั้น! มิฉะนั้นเครื่องมือไฟฟ้าอาจชำรุดได้

- ▶ ตำแหน่งสำหรับ **การเจาะดอก** ในคอนกรีตหรือหิน





TT ตำแหน่งสำหรับ การเจาะ โดยไม่กระแทกในไม้ โลหะ เซรามิก และพลาสติก รวมทั้งการขัน การขันสลกรู

การตั้งทิศทางการหมุน (ดูภาพประกอบ D)

ท่านสามารถใช้สวิตช์เปลี่ยนทิศทางการหมุน (8) เพื่อเปลี่ยนทิศทางการหมุนของเครื่องมือไฟฟ้า อย่างไรก็ตามหากสวิตช์เปิด-ปิด (10) ถูกกดอยู่จะไม่สามารถเปลี่ยนทิศทางการหมุน

▶ หมุนสวิตช์เปลี่ยนทิศทางการหมุน (8) เมื่อเครื่องหยุดนิ่ง อยู่กับที่เท่านั้น

ตั้งทิศทางการหมุนสำหรับการเจาะและการเจาะกระแทกไว้ที่ การหมุนทางขวาเสมอ

- การหมุนทางขวา: สำหรับการเจาะและการขันสลกรูเข้าให้ กัดสลักเปลี่ยนทิศทางการหมุน (8) ไปทางซ้ายจนสุด
- การหมุนทางซ้าย: สำหรับคลายหรือขันสลกรูและน็อตออก ให้กดสวิตช์เปลี่ยนทิศทางการหมุน (8) ไปทางขวาจนสุด

หมายเหตุ: หากทิศทางการหมุนของสวิตช์อยู่ที่ตำแหน่งตรงกลาง สวิตช์เปิด-ปิดจะถูกปิดกั้น

การเปิด-ปิดเครื่อง

- **เปิดสวิตช์** เครื่องมือไฟฟ้าโดยกดสวิตช์เปิด-ปิด (10) โฟล่องบริเวณทำงาน (14) จะส่องสว่างเมื่อกดสวิตช์เปิด-ปิด (10) เบาๆ หรือเต็มที และช่วยเพิ่มความสว่างในบริเวณทำงานภายใต้สภาพแสงที่ไม่เอื้ออำนวย
- เมื่อต้องการ**ปิดสวิตช์**เครื่องมือไฟฟ้าให้ปล่อยนิ้วจากสวิตช์เปิด-ปิด (10)

หากเครื่องทำงานภายใต้อุณหภูมิต่ำ เครื่องจะเริ่มตอก/กระแทกเต็มที่หลังจากเปิดเครื่องทำงานระยะหนึ่งแล้วเท่านั้น

การตั้งอัตราความเร็ว/อัตรากระแทก

ท่านสามารถปรับอัตราความเร็ว/อัตรากระแทกของเครื่องมือไฟฟ้าที่เปิดสวิตช์ทำงานได้อย่างต่อเนื่อง ทั้งนี้ขึ้นอยู่กับแรงที่ กดลงบนสวิตช์เปิด-ปิด (10)

กดสวิตช์เปิด-ปิด (10) เบาๆ จะได้อัตราความเร็ว/อัตรากระแทกต่ำ กดสวิตช์แรงยิ่งขึ้นจะได้อัตราความเร็ว/อัตรากระแทกเพิ่มขึ้น

ข้อแนะนำในการทำงาน

การรับความรู้สึกการเจาะ (ดูภาพประกอบ E)

คุณสามารถใช้ก้านวัดความรู้สึก (17) เพื่อตั้งความรู้สึกการเจาะ X ที่ต้องการ

- กดปุ่มสำหรับปรับก้านวัดความรู้สึก (15) และใส่ก้านวัดความรู้สึกเข้าไปในตามจับเสริม (16) พื้นที่ที่เป็นร่องบนก้านวัดความรู้สึก (17) ต้องหันลงด้านล่าง
- ดันเครื่องมือเจาะ SDS plus เข้าในตัวจับยึดเครื่องมือ SDS plus หากเครื่องมือเจาะ SDS plus เคลื่อนไหว อาจทำให้รับความรู้สึกการเจาะได้ไม่ถูกต้อง
- ดึงก้านวัดความรู้สึกออกมาจนระยะห่างระหว่างปลายดอกสว่านและปลายก้านวัดความรู้สึกเท่ากับความรู้สึกการเจาะที่ต้องการ X

แรงบิดโอเวอร์โหลด

- ▶ หากเครื่องมือที่ใส่อยู่เกิดขัดหรือติดแน่น แรงขับไปยังเพลาสว่านจะสะกดหยุด เนื่องจากแรงบิดที่เกิดขึ้น

ต้องถือเครื่องมือไฟฟ้าให้แน่นด้วยมือทั้งสองข้างและหาที่ยืนที่มั่นคงเสมอ

- ▶ หากเครื่องมือไฟฟ้าติดขัด ให้ปิดสวิตช์เครื่องและปลดเครื่องมือที่ใส่อยู่ออก หากเปิดสวิตช์โดยที่เครื่องมือเจาะติดขัดอยู่ อาจเกิดแรงปฏิกิริยาปัดลู่

การปิดระบบอย่างรวดเร็ว (KickBack Control)



การปิดระบบอย่างรวดเร็ว (KickBack Control) ช่วยให้สามารถควบคุมเครื่องมือไฟฟ้าได้ดียิ่งขึ้นและปกป้องผู้ใช้งานยิ่งขึ้นเมื่อเทียบกับเครื่องมือไฟฟ้าที่ไม่มี KickBack Control เมื่อเครื่องมือไฟฟ้าหมุนรอบแกนสว่านอย่างฉับพลันและ ไม่คาดคิด เครื่องมือไฟฟ้าจะปิดสวิตช์

- เมื่อต้องการ**เริ่มต้นทำงานอีกครั้ง** ให้ปล่อยนิ้วจากสวิตช์เปิด-ปิด (10) และกดสวิตช์อีกครั้ง

การปิดการทำงานของระบบอย่างรวดเร็วจะส่งสัญญาณโดยการกะพริบของไฟล่องบริเวณทำงาน (14) ที่เครื่องมือไฟฟ้า

ตัวหน่วงการสั่นสะเทือน



Vibration Control ตัวหน่วงการสั่นสะเทือนเบ็ดเสร็จช่วยลดการสั่นสะเทือนที่เกิดขึ้น

- ▶ หากองค์ประกอบตัวหน่วงการสั่นสะเทือนชำรุด อยาใช้เครื่องมือไฟฟ้าทำงานต่อไป

ระบบอิเล็กทรอนิกส์คงที่



ระบบอิเล็กทรอนิกส์คงที่ จะรักษาความเร็วรอบให้มีความต่อเนื่องทั้งในขณะที่ดินเครื่องเปล่า และขณะที่ยังรับโหลดการทำงานระดับใดระดับหนึ่ง โดยเฉพาะ วิธีนี้ช่วยรับประกันว่า เครื่องจะมีกำลังการทำงานที่สม่ำเสมอขึ้น

การใส่ดอกไขควง (ดูภาพประกอบ F)

- ▶ **จับเครื่องมือไฟฟ้าเข้าบนหัวสลกรู/น็อตเมื่อเครื่องปิดอยู่เท่านั้น** เครื่องมือที่มีหมุนอยู่อาจลื่นไถล

เมื่อใช้ดอกไขควงทำงาน จำเป็นต้องใช้ก้านจับดอกไขควงอเนกประสงค์ที่มีก้านติดตั้ง SDS plus (18) หรือก้านจับดอกไขควงอเนกประสงค์ที่มีก้านทรงกระบอกหรือก้านหกเหลี่ยม (19)

การใส่ก้านจับดอกไขควงอเนกประสงค์ที่มีก้านติดตั้ง SDS plus

- ทำความสะอาดปลายก้านติดตั้ง และเคลือบจาระบีบางๆ
- จับก้านจับดอกไขควงอเนกประสงค์ (18) หมุนใส่ในตามจับเครื่องมือจนเข้าล็อกโดยอัตโนมัติ
- ดึงก้านจับดอกไขควงอเนกประสงค์เพื่อตรวจสอบการล็อก
- ใส่ดอกไขควงเข้าไปในก้านจับดอกไขควงอเนกประสงค์ (18) ไขดอกไขควงที่มีขนาดพอดีกับหัวสลกรูเท่านั้น
- หากต้องการถอดก้านจับดอกไขควงอเนกประสงค์ (18) ให้ดึงปลอกล็อก ปลายด้านหลัง และนำก้านจับดอกไขควงอเนกประสงค์ออกจากตามจับเครื่องมือ

การใส่ก้านจับดอกไขควงอเนกประสงค์ที่มีก้านทรงกระบอกหรือก้านหกเหลี่ยม

- ใส่ก้านจับดอกไขควงอเนกประสงค์พร้อมด้วยก้านทรงกระบอกหรือก้านหกเหลี่ยม (19) โดยใช้วิธีการเดียวกับการใส่เครื่องมือเจาะ (ดู "การใส่เครื่องมือ (ดูภาพประกอบ C1)", หน้า 45)

- ดึงก้านจับดอกไขควงของเนกประสงค์ (19) เพื่อตรวจสอบการล๊อค
- ใส่ดอกไขควงเข้าไปในก้านจับดอกไขควงของเนกประสงค์ (19) ไขดอกไขควงที่มีขนาดพอดีกับหัวสลกรูเท่านั้น
- หากต้องการถอดก้านจับดอกไขควงของเนกประสงค์ (19) ให้ใช้วิธีการเดียวกับการถอดเครื่องมือเจาะ (ดู "การถอดเครื่องมือ (ดูภาพประกอบ C2)", หน้า 45)

การยึดอุปกรณ์ป้องกันการตกหล่น (ดูภาพประกอบ G)

หมายเหตุ: เพื่อป้องกันไม่ให้เครื่องมือไฟฟ้าตกลงมา ควรใช้อุปกรณ์ป้องกันการตกหล่น (21) ที่เหมาะสมกับน้ำหนักของระบบ ความยาวสูงสุดที่อนุญาตของอุปกรณ์ป้องกันการตกหล่น คือ 1,8 ม. จำเป็นต้องสังเกตบริเวณยึดที่อนุญาต (20) ที่เครื่องมือไฟฟ้า

ใช้แป้นอุปกรณ์ป้องกันการตกหล่นโดยที่ควรใช้สลิงแบบสายรัดที่ผูกไว้กับคั่นผูกหรืออุปกรณ์ป้องกันการตกที่มีโซ่อ็อป ปฏิบัติตามคำแนะนำในการยึดอุปกรณ์ป้องกันการตกหล่น (21) ตามคู่มือการใช้งานอย่างเคร่งครัด

- ▶ **ตรวจสอบให้แน่ใจว่าได้ติดตั้งตรงข้ามของอุปกรณ์กันตกหล่นเข้ากับโครงสวางที่มั่นคง (เช่น อาคารหรือนั่งร้าน) และห้ามติดยึดกับตัวผู้ใช้**
อุปกรณ์ป้องกันการตกต้องสามารถเคลื่อนที่ได้อย่างอิสระ และสามารถติดเข้ากับจุดยึดแบบตายตัว (22) และในพื้นที่ที่ยึดที่อนุญาต (20) บนเครื่องมือไฟฟ้าเท่านั้น
- ▶ **เลือกจุดยึดแบบตายตัว (22) เพื่อให้เครื่องมือไฟฟ้าสามารถกลองส่วระบบป้องกันการตกได้อย่างอิสระในกรณีที่เกิดการตกโดยไม่พันตัวผู้ใช้หรือเป็นอันตรายต่อผู้ใช้ ห้ามใช้อุปกรณ์ป้องกันการตกหล่นของเครื่องมือไฟฟ้ากับเครื่องแยกฝุ่นที่ติดตั้ง**

การบำรุงรักษาและการบริการ

การบำรุงรักษาและการทำความสะอาด

- ▶ **โปรดถอดแบตเตอรี่แบบชาร์จได้ออกจากเครื่องมือไฟฟ้าก่อนการทำงานทุกประเภทที่เครื่องมือไฟฟ้า (เช่น การบำรุงรักษา การเปลี่ยนเครื่องมือ เป็นต้น) เนื่องจากการทำงานสวิตช์เปิด/ปิดโดยไม่ตั้งใจขณะทำงานดังกล่าวอาจก่อให้เกิดความเสี่ยงต่อการบาดเจ็บได้**
- ▶ **เพื่อให้ทำงานได้อย่างถูกต้องและปลอดภัย ต้องรักษาเครื่องและช่องระบายอากาศให้สะอาดอยู่เสมอ**
- ▶ **ต้องเปลี่ยนผ้าครอบกันฝุ่นที่ชำรุดโดยทันที เราขอแนะนำว่าควรส่งให้ศูนย์บริการหลังการขายเปลี่ยนให้**
- ทำความสะอาดตามจับเครื่องมือ ทุกครั้งหลังใช้งาน

การบริการหลังการขายและการให้คำปรึกษาการใช้งาน

ศูนย์บริการหลังการขายของเรายินดีตอบคำถามของท่านที่เกี่ยวข้องกับการบำรุงรักษาและการซ่อมแซมผลิตภัณฑ์รวมทั้งเรื่องอะไหล่ ภาพเขียนแบบการประกอบและข้อมูลเกี่ยวกับอะไหล่ กรุณาดูใน: www.bosch-pt.com ที่มงานที่ปรึกษาของ บอช ยินดีให้ข้อมูลเกี่ยวกับผลิตภัณฑ์ของเราและอุปกรณ์ประกอบต่างๆ

เมื่อต้องการสอบถามและสั่งซื้ออะไหล่ กรุณาแจ้งหมายเลขสินค้า 10 หลักบนแผนป้ายรุ่นของผลิตภัณฑ์ทุกครั้ง

ไทย

ไทย บริษัท โรเบิร์ต บอช จำกัด
 เอพวยไอ เซ็นเตอร์ อาคาร 1 ชั้น 5
 เลขที่ 2525 ถนนพระราม 4
 แขวงคลองเตย เขตคลองเตย กรุงเทพฯ 10110
 โทร: +66 2012 8888
 แฟกซ์: +66 2064 5800
www.bosch.co.th
 ศูนย์บริการซ่อมและฝึกอบรม บอช
 อาคาร ลาซาลทาวเวอร์ ชั้น G ห้องเลขที่ 2
 บ้านเลขที่ 10/11 หมู่ 16
 ถนนศรีนครินทร์ ตำบลบางแก้ว อำเภอบางพลี
 จังหวัดสมุทรปราการ 10540
 ประเทศไทย
 โทรศัพท์ 02 7587555
 โทรสาร 02 7587525

สามารถดูที่อยู่ศูนย์บริการอื่นๆ ได้ที่:

www.bosch-pt.com/serviceaddresses

การขนส่ง

แบตเตอรี่ลิเธียมไอออนที่แนะนำให้ใช้ อยู่ภายใต้ข้อกำหนดแห่งกฎหมายสินค้าอันตราย ผู้ใช้สามารถขนส่งแบตเตอรี่แบบชาร์จได้บนเส้นทางถนนโดยไม่มีข้อบังคับเพิ่มเติม

สำหรับการจัดส่งโดยบุคคลที่สาม (เช่น: ขนส่งทางอากาศหรือตัวแทนขนส่งสินค้า) จำเป็นต้องปฏิบัติตามข้อกำหนดพิเศษเกี่ยวกับการบรรจุภัณฑ์และการติดฉลาก สำหรับการจัดส่งเตรียมสิ่งที่จะจัดส่ง จำเป็นต้องปรึกษาผู้เชี่ยวชาญด้านวัตถุอันตราย

ส่งแบตเตอรี่แพ็คเมื่อตัวหุ้มไม่ชำรุดเสียหายเท่านั้น ใช้แถบกาวยึดเหนี่ยวมัดให้แน่นและนำแบตเตอรี่แพ็คใส่กล่องบรรจุโดยไม่ให้เคลื่อนไปมาในกล่องใด นอกจากนี้ กรุณาปฏิบัติตามกฎระเบียบของประเทศซึ่งอาจมีรายละเอียดเพิ่มเติม

การกำจัดขยะ



เครื่องมือไฟฟ้า แบตเตอรี่แพ็ค อุปกรณ์ประกอบ และที่บอช ต้องนำไปแยกประเภทวัสดุเพื่อนำกลับมาใช้ใหม่โดยไม่ทำลายสภาพแวดล้อม

อย่าทิ้งเครื่องมือไฟฟ้าและแบตเตอรี่แพ็ค/แบตเตอรี่ที่นำกลับมาชาร์จใหม่ได้ ลงในขยะบ้าน!

แบตเตอรี่แพ็ค/แบตเตอรี่:

ลิเธียม ไอออน:

กรุณาปฏิบัติตามคำแนะนำในบทการขนส่ง (ดู "การขนส่ง", หน้า 47)

Bahasa Indonesia

Petunjuk Keselamatan

Petunjuk keselamatan umum untuk perkakas listrik

⚠ PERINGATAN Baca semua peringatan, petunjuk, ilustrasi, dan spesifikasi

keselamatan yang diberikan bersama perkakas listrik ini. Kesalahan dalam menjalankan petunjuk di bawah ini dapat mengakibatkan sengatan listrik, kebakaran, dan/atau cedera serius.

Simpanlah semua peringatan dan petunjuk untuk penggunaan di masa mendatang.

Istilah "perkakas listrik" dalam peringatan mengacu pada perkakas listrik yang dioperasikan dengan listrik (menggunakan kabel) atau perkakas listrik yang dioperasikan dengan baterai (tanpa kabel).

Keamanan tempat kerja

- ▶ **Jaga kebersihan dan pencahayaan area kerja.** Area yang berantakan atau gelap dapat memicu kecelakaan.
- ▶ **Jangan mengoperasikan perkakas listrik di lingkungan yang dapat memicu ledakan, seperti adanya cairan, gas, atau debu yang mudah terbakar.** Perkakas listrik dapat memancarkan bunga api yang kemudian mengakibatkan debu atau uap terbakar.
- ▶ **Jauhkan dari jangkauan anak-anak dan pengamat saat mengoperasikan perkakas listrik.** Gangguan dapat menyebabkan hilangnya kendali.

Keamanan listrik

- ▶ **Steker perkakas listrik harus sesuai dengan stopkontak. Jangan pernah memodifikasi steker. Jangan menggunakan steker adaptor bersama dengan perkakas listrik yang terhubung dengan sistem grounding.** Steker yang tidak dimodifikasi dan stopkontak yang cocok akan mengurangi risiko sengatan listrik.
- ▶ **Hindari kontak badan dengan permukaan yang terhubung dengan sistem grounding, seperti pipa, radiator, kompor, dan lemari es.** Terdapat peningkatan risiko terjadinya sengatan listrik jika badan Anda terhubung dengan sistem grounding.
- ▶ **Perkakas listrik tidak boleh terpapar hujan atau basah.** Air yang masuk ke dalam perkakas listrik menambah risiko terjadinya sengatan listrik.
- ▶ **Jangan menyalahgunakan kabel. Jangan gunakan kabel untuk membawa, menarik, atau melepas steker perkakas listrik. Jauhkan kabel dari panas, minyak, tepi yang tajam, atau komponen yang bergerak.** Kabel listrik yang rusak atau tersangkut menambah risiko terjadinya sengatan listrik.
- ▶ **Saat mengoperasikan perkakas listrik di luar ruangan, gunakan kabel ekstensi yang sesuai untuk penggunaan di luar ruangan.** Penggunaan kabel yang

cocok untuk pemakaian di luar ruangan mengurangi risiko terjadinya sengatan listrik.

- ▶ **Jika perkakas listrik memang harus dioperasikan di tempat yang lembap, gunakan pemutus arus listrik residu (RCD).** Penggunaan RCD akan mengurangi risiko terjadinya sengatan listrik.

Keselamatan personel

- ▶ **Tetap waspada, perhatikan aktivitas yang sedang dikerjakan dan gunakan akal sehat saat mengoperasikan perkakas listrik. Jangan gunakan perkakas listrik saat mengalami kelelahan atau di bawah pengaruh narkoba, alkohol, atau obat-obatan.** Jika perkakas listrik dioperasikan dengan daya konsentrasi yang rendah, hal tersebut dapat menyebabkan cedera serius.
- ▶ **Gunakan peralatan pelindung diri. Selalu kenakan pelindung mata.** Penggunaan perlengkapan pelindung seperti penutup telinga, helm, sepatu anti licin, dan masker debu akan mengurangi cedera.
- ▶ **Hindari start yang tidak disengaja. Pastikan switch berada di posisi off sebelum perkakas listrik dihubungkan ke sumber daya listrik dan/atau baterai, diangkat, atau dibawa.** Membawa perkakas listrik dengan jari menempel pada tombol atau perkakas listrik dalam keadaan hidup dapat memicu kecelakaan.
- ▶ **Singkirkan kunci penytel atau kunci pas sebelum menghidupkan perkakas listrik.** Perkakas atau kunci pas yang masih menempel pada komponen perkakas listrik yang berputar dapat menyebabkan cedera.
- ▶ **Jangan melampaui batas. Berdirilah secara mantap dan selalu jaga keseimbangan.** Hal ini akan memberikan kontrol yang lebih baik terhadap perkakas listrik pada situasi yang tak terduga.
- ▶ **Kenakan pakaian dengan wajar. Jangan mengenakan perhiasan atau pakaian yang longgar. Jauhkan rambut dan pakaian dari komponen yang bergerak.** Pakaian yang longgar, rambut panjang, atau perhiasan dapat tersangkut dalam komponen yang bergerak.
- ▶ **Jika disediakan perangkat untuk sambungan pengisapan debu dan alat pengumpulan, pastikan perangkat tersebut terhubung dan digunakan dengan benar.** Penggunaan alat pengumpulan dapat mengurangi bahaya yang disebabkan oleh debu.
- ▶ **Jangan berpuas diri dan mengabaikan prinsip keselamatan karena terbiasa mengoperasikan perkakas.** Tindakan yang kurang hati-hati dapat mengakibatkan cedera serius dalam waktu sepersekian detik.

Penggunaan dan pemeliharaan perkakas listrik

- ▶ **Jangan memaksakan perkakas listrik. Gunakan perkakas listrik yang sesuai untuk pekerjaan yang dilakukan.** Perkakas listrik yang sesuai akan bekerja dengan lebih baik dan aman sesuai tujuan penggunaan.
- ▶ **Jangan gunakan perkakas listrik dengan switch yang tidak dapat dioperasikan.** Perkakas listrik yang

switchnya yang tidak berfungsi dapat menimbulkan bahaya dan harus diperbaiki.

- ▶ **Lepaskan steker dari sumber listrik dan/atau lepas baterai, jika dapat dilepaskan dari perkakas listrik sebelum menyatel, mengganti aksesoris, atau menyimpan perkakas listrik.** Tindakan preventif akan mengurangi risiko menghidupkan perkakas listrik secara tidak disengaja.
- ▶ **Jauhkan dan simpan perkakas listrik dari jangkauan anak-anak dan jangan biarkan orang-orang yang tidak mengetahui cara menggunakan perkakas listrik, mengoperasikan perkakas listrik.** Perkakas listrik dapat membahayakan jika digunakan oleh orang-orang yang tidak terlatih.
- ▶ **Lakukan pemeliharaan perkakas listrik dan aksesoris. Periksa komponen yang bergerak apabila tidak lurus atau terikat, kerusakan komponen, dan kondisi lain yang dapat mengganggu pengoperasian perkakas listrik. Apabila rusak, perbaiki perkakas listrik sebelum digunakan.** Kecelakaan sering terjadi karena perkakas listrik tidak dirawat dengan baik.
- ▶ **Jaga ketajaman dan kebersihan alat.** Alat pemotong dengan pisau pemotong yang tajam dan dirawat dengan baik tidak akan mudah tersangkut dan lebih mudah dikendalikan.
- ▶ **Gunakan perkakas listrik, aksesoris, dan komponen perkakas dll sesuai dengan petunjuk ini, dengan mempertimbangkan kondisi kerja dan pekerjaan yang akan dilakukan.** Penggunaan perkakas listrik untuk tujuan berbeda dari fungsinya dapat menyebabkan situasi yang berbahaya.
- ▶ **Jaga gagang dan permukaan genggam agar tetap kering, bersih, dan bebas dari minyak dan lemak.** Gagang dan permukaan genggam yang licin tidak menjamin keamanan kerja dan kontrol alat yang baik pada situasi yang tidak terduga.

Penggunaan dan pemeliharaan perkakas baterai

- ▶ **Isi ulang daya hanya dengan pengisi daya yang ditentukan oleh produsen.** Pengisi daya yang sesuai untuk satu jenis set baterai dapat menyebabkan risiko kebakaran apabila digunakan dengan set baterai lain.
- ▶ **Hanya gunakan perkakas listrik dengan set baterai yang dirancang khusus.** Penggunaan set baterai lain dapat menyebabkan risiko cedera dan kebakaran.
- ▶ **Apabila set baterai tidak digunakan, jauhkan dari benda logam lainnya, seperti klip kertas, koin, kunci, paku, sekrup, atau benda logam kecil lainnya yang dapat membuat sambungan dari satu terminal ke terminal lainnya.** Memendekkan terminal baterai dapat menyebabkan kebakaran atau api.
- ▶ **Cairan dapat keluar dari baterai jika baterai tidak digunakan dengan benar; hindari kontak. Jika terjadi kontak secara tidak disengaja, bilas dengan air. Jika cairan mengenai mata, segera hubungi bantuan medis.** Cairan yang keluar dari baterai dapat menyebabkan iritasi atau luka bakar.

- ▶ **Jangan gunakan set baterai atau perkakas yang rusak atau telah dimodifikasi.** Baterai yang rusak atau telah dimodifikasi dapat menimbulkan kejadian yang tak terduga seperti kebakaran, ledakan, atau risiko cedera.
- ▶ **Jangan meletakkan set baterai atau perkakas di dekat api atau suhu tinggi.** Paparan terhadap api atau suhu di atas 130 °C dapat memicu ledakan.
- ▶ **Ikuti semua petunjuk pengisian daya dan jangan mengisi daya set baterai atau perkakas di luar rentang suhu yang ditentukan dalam petunjuk.** Pengisian daya yang tidak tepat atau di luar rentang suhu yang ditentukan dapat merusak baterai dan meningkatkan risiko kebakaran.

Servis

- ▶ **Minta teknisi berkualifikasi untuk menyervis perkakas listrik dengan hanya menggunakan suku cadang yang identik.** Dengan demikian, hal ini akan memastikan keamanan perkakas listrik.
- ▶ **Jangan pernah melakukan servis pada baterai yang telah rusak.** Servis baterai hanya boleh dilakukan oleh produsen atau penyedia servis resmi.

Petunjuk keselamatan untuk hammer

Petunjuk keselamatan untuk semua pengoperasian

- ▶ **Kenakan sumbat telinga.** Suara bising alat dapat menyebabkan berkurangnya pendengaran.
- ▶ **Gunakan handle tambahan, jika tersedia.** Kehilangan kendali dapat menyebabkan cedera.
- ▶ **Pegang perkakas listrik pada permukaan gagang isolator saat digunakan, karena aksesoris pemotong atau alat pengencang dapat saja bersentuhan dengan kabel yang tidak terlihat.** Aksesoris pemotong dan alat pengencang yang bersentuhan dengan kabel yang dialiri listrik dapat menyebabkan terbukanya bagian logam dari alat yang dialiri listrik sehingga berisiko mengakibatkan sengatan listrik pada operator.



Petunjuk keselamatan saat menggunakan mata bor panjang dengan rotary hammer

- ▶ **Selalu hidupkan alat bor pada kecepatan rendah dengan ujung mata bor menyentuh benda kerja.** Pada kecepatan yang tinggi, mata bor akan membengkok jika berputar secara bebas tanpa menyentuh benda kerja dan dapat menyebabkan cedera terhadap pengguna.
- ▶ **Tekan hanya pada garis lurus dengan mata bor dan jangan tekan secara berlebihan.** Mata bor dapat membengkok dan menyebabkan kerusakan atau hilang kendali sehingga menyebabkan cedera terhadap pengguna.

Petunjuk keselamatan tambahan

- ▶ **Gunakanlah alat detektor logam yang cocok untuk mencari kabel dan pipa yang tidak terlihat atau hubungi perusahaan pengadaan setempat.** Sentuhan dengan kabel-kabel listrik dapat mengakibatkan api dan kontak listrik. Pipa gas yang rusak dapat mengakibatkan

ledakan. Pipa air yang dirusak mengakibatkan barang-barang menjadi rusak.

- ▶ **Sebelum meletakkan perkakas listrik, tunggulah hingga perkakas berhenti berputar.** Alat kerja dapat tersangkut dan menyebabkan perkakas listrik tidak dapat dikendalikan.
 - ▶ **Gunakan alat kerja dengan aman.** Benda yang ditahan dalam alat pemegang atau bais lebih aman daripada benda yang dipegang dengan tangan.
 - ▶ **Asap dapat keluar apabila terjadi kerusakan atau penggunaan yang tidak tepat pada baterai. Baterai dapat terbakar atau meledak.** Biarkan udara segar mengalir masuk dan kunjungi dokter apabila mengalami gangguan kesehatan. Asap tersebut dapat mengganggu saluran pernafasan.
 - ▶ **Jangan memodifikasi dan membuka baterai.** Terdapat risiko korsleting.
 - ▶ **Baterai dapat rusak akibat benda-benda lancip, seperti jarum, obeng, atau tekanan keras dari luar.** Hal ini dapat menyebabkan terjadinya hubungan singkat internal dan baterai dapat terbakar, berasap, meledak, atau mengalami panas berlebih.
 - ▶ **Hanya gunakan baterai pada produk dari produsen.** Hanya dengan cara ini, baterai dapat terlindung dari kelebihan muatan.
- 


Lindungi baterai dari panas, misalnya juga dari paparan sinar matahari dalam waktu yang lama, api, kotoran, air dan kelembapan. Terdapat risiko ledakan dan korsleting.
- ▶ **Jangan menyentuh alat sisipan atau bagian housing yang berdekatan sesaat setelah pengoperasian.** Alat sisipan atau housing tersebut dapat menjadi sangat panas selama pengoperasian sehingga menyebabkan luka bakar.
 - ▶ **Alat sisipan dapat berhenti saat pengeboran. Pegang erat perkakas listrik dengan kedua tangan dan pastikan Anda berdiri di posisi yang aman.** Jika tidak, Anda dapat kehilangan kendali atas perkakas listrik.
 - ▶ **Jangan arahkan perkakas listrik ke orang lain yang berada di dekat area kerja selama pengoperasian.** Alat sisipan dapat terlempar dan menyebabkan cedera serius.
 - ▶ **Selalu kenakan helm keselamatan dan kacamata pelindung atau pelindung wajah.** Kacamata atau kacamata hitam biasa bukanlah kacamata pelindung.
 - ▶ **Pastikan alat sisipan terpasang dengan kencang dan aman sebelum pengoperasian.**
 - ▶ **Selalu pastikan Anda berada di posisi yang aman. Pastikan tidak ada siapa pun berada di bawah Anda saat sedang menggunakan perkakas listrik di tempat yang tinggi misalnya di atas tangga.**
 - ▶ **Jangan buka atau tutup chuck bor dengan menghidupkan perkakas listrik.** Mata bor dapat terlempar sehingga menyebabkan risiko cedera.

- ▶ **Jangan arahkan perkakas listrik ke orang lain yang berada di dekat area kerja selama pengoperasian.** Alat sisipan dapat terlempar dan menyebabkan cedera serius.
- ▶ **Selalu kenakan helm keselamatan dan kacamata pelindung atau pelindung wajah.** Kacamata atau kacamata hitam biasa bukanlah kacamata pelindung.
- ▶ **Pastikan alat sisipan terpasang dengan kencang dan aman sebelum pengoperasian.**
- ▶ **Selalu pastikan Anda berada di posisi yang aman. Pastikan tidak ada siapa pun berada di bawah Anda saat sedang menggunakan perkakas listrik di tempat yang tinggi misalnya di atas tangga.**
- ▶ **Jangan buka atau tutup chuck bor dengan menghidupkan perkakas listrik.** Mata bor dapat terlempar sehingga menyebabkan risiko cedera.
- ▶ **Pegang erat perkakas listrik dengan kedua tangan selama mengoperasikannya dan pastikan Anda berdiri di posisi aman.** Gunakan perkakas listrik dengan kedua tangan secara hati-hati.

Spesifikasi produk dan performa



Bacalah semua petunjuk keselamatan dan petunjuk penggunaan. Kesalahan dalam menjalankan petunjuk keselamatan dan petunjuk penggunaan dapat mengakibatkan kontak listrik, kebakaran, dan/atau luka-luka yang berat.

Perhatikan ilustrasi yang terdapat pada sisi sampul panduan pengoperasian.

Tujuan penggunaan

Perkakas listrik ini dirancang untuk pengeboran benda keras pada beton, batu bata, dan bebatuan. Perkakas listrik juga cocok untuk pengeboran tanpa getaran pada kayu, logam, keramik, dan bahan sintesis. Perkakas listrik dengan penyetelan elektronik dan arah putaran ke kanan/kiri juga cocok untuk penyekrupan.

Ilustrasi komponen

Penomoran ilustrasi komponen mengacu pada gambar perkakas listrik pada halaman grafis.

- (1) Chuck bor ONECHUCK
- (2) Dudukan alat kerja ONECHUCK
- (3) Kap pelindung debu
- (4) Selongsong depan
- (5) Selongsong belakang
- (6) Peredaman getaran
- (7) Tombol pelepas baterai^{a)}
- (8) Switch arah putaran
- (9) Gagang (permukaan genggam berisolator)
- (10) Tombol on/off
- (11) Baterai^{a)}

- (12) Tombol pelepas kunci untuk switch getaran/penghenti putaran
- (13) Switch getaran/penghenti putaran
- (14) Lampu kerja
- (15) Tombol untuk pengaturan pembatas kedalaman
- (16) Gagang tambahan (permukaan genggam berisolator)
- (17) Pembatas kedalaman
- (18) Dudukan bit universal dengan batang pemasang SDS plus^{a)}
- (19) Dudukan bit universal dengan batang silinder atau batang heksagonal^{a)}
- (20) Area pemasangan alat pelindung jatuh pada perkakas listrik
- (21) Alat pelindung jatuh^{b)}
- (22) Titik pemasangan tetap alat pelindung jatuh^{b)}
- a) **Aksesori ini tidak termasuk dalam lingkup pengiriman standar.**
- b) **Aksesori ini tidak termasuk dalam lingkup pengiriman standar dan bukan bagian dari rangkaian aksesori Bosch.**

Data teknis

Bor hammer berdaya baterai		GBH 18V-18 X
Nomor barang		3 611 J27 1..
Tegangan nominal	V=	18
Kecepatan nominal ^{A)}	min ⁻¹	900
Tingkat getaran ^{A)}	min ⁻¹	5000
Dudukan alat kerja		- SDS plus - Silinder - Heksagonal
Rentang chuck bor batang silinder	mm	6–10
Diameter pengeboran maks.		
- Beton	mm	18
- Baja	mm	10
- Kayu	mm	18
Berat ^{B)}	kg	2,2 kg (1,5 Ah)– 3,2 kg (12,0 Ah)
Suhu sekitar yang direkomendasikan saat pengisian daya	°C	0 ... +35
Suhu sekitar yang diizinkan saat pengoperasian ^{C)} dan saat penyimpanan	°C	-20 ... +50
Baterai yang kompatibel		GBA 18V... ProCORE18V...

Bor hammer berdaya baterai

GBH 18V-18 X

Perangkat pengisi daya yang direkomendasikan		GAL 18... GAX 18... GAL 36...
--	--	-------------------------------------

A) diukur pada suhu 20–25 °C dengan baterai **GBA 18V 4.0Ah**

B) tergantung pada baterai yang digunakan

C) daya terbatas pada suhu < 0 °C

Data teknis ditentukan dengan baterai yang termasuk dalam lingkup pengiriman.

Nilai dapat berbeda-beda bergantung pada produk dan mungkin tunduk pada kondisi lingkungan serta penggunaan. Informasi lebih lanjut pada www.bosch-professional.com/wac.

Baterai

Bosch menjual perkakas listrik berdaya baterai bahkan tanpa baterai yang disertakan. Keterangan apakah lingkup pengiriman perkakas listrik termasuk dengan baterai dapat ditemukan di kemasan.

Mengisi daya baterai

► **Hanya gunakan pengisi daya yang tercantum pada data teknis.** Hanya pengisi daya ini yang sesuai dengan baterai li-ion yang digunakan pada perkakas listrik Anda.

Catatan: Baterai lithium-ion dikirim dalam keadaan terisi daya sebagian berdasarkan peraturan transportasi internasional. Untuk menjamin daya penuh dari baterai, isi daya baterai hingga penuh sebelum menggunakannya untuk pertama kali.

Memasang baterai

Masukkan baterai yang telah terisi daya ke dalam dudukan baterai hingga baterai terkunci.



Melepas baterai

Untuk melepas baterai, tekan tombol pelepas baterai dan keluarkan baterai. **Jangan melepas baterai dengan paksa.** Baterai memiliki 2 level penguncian untuk mencegah baterai terlepas saat tombol pelepas baterai ditekan secara tidak sengaja. Selama baterai terpasang di dalam perkakas listrik, baterai ditahan posisinya menggunakan pegas.

Indikator level pengisian daya baterai

Catatan: Tidak semua jenis baterai memiliki indikator level pengisian daya.

LED berwarna hijau dari indikator level pengisian daya baterai menampilkan level pengisian daya baterai. Atas dasar keselamatan, permintaan level pengisian daya baterai hanya dapat dilakukan saat perkakas listrik dalam keadaan berhenti.

Tekan tombol indikator level pengisian daya baterai  atau  untuk menampilkan level pengisian baterai. Hal ini juga dapat dilakukan saat baterai dilepas.

Apabila LED tidak menyala setelah menekan tombol indikator level pengisian daya, terdapat kerusakan pada baterai dan baterai harus diganti.

Tipe baterai GBA 18V...

LED	Kapasitas
Lampu permanen hijau 3×	60–100%
Lampu permanen hijau 2×	30–60%
Lampu permanen hijau 1×	5–30%
Lampu berkedip hijau 1×	0–5%

Tipe baterai ProCORE18V...

LED	Kapasitas
Lampu permanen hijau 5×	80–100%
Lampu permanen hijau 4×	60–80%
Lampu permanen hijau 3×	40–60%
Lampu permanen hijau 2×	20–40%
Lampu permanen hijau 1×	5–20%
Lampu berkedip hijau 1×	0–5%

Petunjuk untuk penanganan baterai yang optimal

Lindungilah baterai dari kelembapan dan air.

Simpan baterai hanya pada rentang suhu antara –20 °C hingga 50 °C. Janganlah meletakkan baterai di dalam mobil, misalnya pada musim panas.

Bersihkan lubang ventilasi baterai dengan kuas yang lunak, bersih dan kering secara berkala.

Waktu pengoperasian yang berkurang secara signifikan setelah pengisian daya menunjukkan bahwa baterai telah habis dan perlu diganti.

Perhatikan petunjuk untuk membuang.

Pemasangan

- ▶ **Lepaskan baterai dari perkakas listrik sebelum melakukan pekerjaan apa pun pada perkakas listrik (misalnya perawatan, penggantian alat kerja, dll.).** Terdapat risiko cedera apabila tombol on/off ditekan secara tidak sengaja.

Gagang tambahan

- ▶ **Hanya gunakan perkakas listrik dengan gagang tambahan (16).**
- ▶ **Pastikan gagang tambahan selalu terpasang kuat.** Jika tidak, Anda dapat kehilangan kendali atas perkakas listrik saat bekerja.

Memutar gagang tambahan (lihat gambar A)

Gagang tambahan (16) dapat digerakkan ke arah mana pun untuk memungkinkan posisi kerja yang aman dan tidak melelahkan.

- Putar bagian bawah gagang tambahan (16) berlawanan arah jarum jam dan gerakkan gagang tambahan (16) ke posisi yang diinginkan. Setelah itu, putar dan kencangkan kembali bagian bawah gagang tambahan (16) searah jarum jam.
Pastikan tali pengencang gagang tambahan berada dalam alur yang tersedia di housing.

Mengganti perkakas

Dengan chuck bor ONECHUCK, alat sisipan SDS plus, alat sisipan silinder, dan alat sisipan heksagonal dapat digunakan dengan mudah dan nyaman tanpa menggunakan alat kerja tambahan atau mengganti chuck bor.

Tutup pelindung debu (3) mencegah masuknya debu pengeboran ke dalam dudukan alat kerja selama pengoperasian. Saat menggunakan perkakas, pastikan tutup pelindung debu (3) tidak rusak.

- ▶ **Tutup pelindung debu yang rusak harus segera diganti. Disarankan untuk melukukannya di layanan pelanggan Bosch.**

Mengganti alat kerja (SDS plus)**Memasang alat sisipan SDS plus (lihat gambar B1–B2)**

- Pegang selongsong belakang (5) chuck bor dengan kuat menggunakan satu tangan. Buka sepenuhnya dudukan alat kerja menggunakan tangan lainnya dengan cara memutar selongsong depan (4).
- Bersihkan ujung alat sisipan SDS plus yang terpasang dan lumasi dengan sedikit minyak.
- Pasang alat sisipan SDS plus ke dalam dudukan alat kerja dengan cara memutarnya hingga terkunci secara otomatis.
- Periksa penguncian dengan menarik alat kerja.

Alat sisipan SDS plus harus dapat bergerak dengan bebas. Hal ini menimbulkan penyimpangan putaran sewaktu perkakas listrik berjalan pada kecepatan idle. Hal ini tidak memengaruhi ketepatan lubang bor karena mata bor memusatkan dengan sendirinya saat mengebor.

Melepas alat sisipan SDS plus (lihat gambar B3)

- Dorong selongsong belakang (5) ke belakang dan lepaskan alat sisipan SDS plus.

Penggantian alat (poros silinder, segi enam)**Memasang alat sisipan (lihat gambar C1)**

Catatan: Jangan menggunakan alat kerja tanpa SDS plus untuk mengebor benda keras! Alat kerja tanpa SDS plus dan chuck bor akan rusak jika digunakan untuk mengebor benda keras.

Catatan: Hanya gunakan alat dengan poros silinder atau poros heksagonal dalam mode pengoperasian pengeboran.

- ▶ **Jangan tutup chuck bor dengan cara menghidupkan perkakas listrik.** Mata bor dapat terlempar sehingga menyebabkan risiko cedera.

Catatan: Hanya gunakan alat sisipan dengan poros silinder atau poros heksagonal dengan diameter poros sebesar 6 hingga 10 mm.

- Putar switch getaran/penghenti putaran **(13)** ke posisi „Pengeboran“.
 - Pegang selongsong belakang **(5)** chuck bor dengan kuat menggunakan satu tangan. Buka dudukan alat kerja menggunakan tangan lainnya dengan cara memutar selongsong depan **(4)** semaksimal mungkin hingga alat sisipan dapat dipasang.
 - Pasang alat sisipan silinder atau heksagonal ke dalam chuck bor.
 - Pegang selongsong belakang **(5)** dengan satu tangan dan gunakan tangan lainnya untuk memutar selongsong depan **(4)** dengan kuat sesuai arah panah hingga terdengar bunyi klik yang jelas.
 - Periksa kekencangannya dengan menarik alat.
- Hanya pasang alat sisipan saat perkakas listrik dimatikan.

Melepaskan alat sisipan (lihat gambar C2)

- Pegang selongsong belakang **(5)** chuck bor dengan kuat menggunakan satu tangan. Buka dudukan alat kerja menggunakan tangan lainnya dengan cara memutar selongsong depan **(4)** sesuai arah panah hingga alat sisipan dapat dilepas.
- Lepas alat sisipan.

► **Jangan buka chuck bor dengan cara menghidupkan perkakas listrik.** Mata bor dapat terlempar sehingga menyebabkan risiko cedera.

Pengisapan debu/serbuk

Debu dari bahan-bahan seperti cat yang mengandung timbal, beberapa jenis kayu, bahan mineral dan logam dapat berbahaya bagi kesehatan. Menyentuh atau menghirup debu tersebut dapat mengakibatkan reaksi alergi dan/atau penyakit saluran pernapasan bagi pengguna atau orang yang berada di dekatnya.

Beberapa debu tertentu seperti misalnya debu kayu pohon ek atau pohon fagus silvatica dianggap dapat mengakibatkan penyakit kanker, terutama dalam campuran dengan bahan-bahan tambahan untuk pengolahan kayu (kromat, obat pengawet kayu). Bahan-bahan yang mengandung asbestos hanya boleh dikerjakan oleh orang-orang yang ahli.

- Gunakanlah hanya pengisap debu yang cocok untuk mengisap bahan yang dikerjakan.
- Pastikan terdapat ventilasi udara yang baik di tempat kerja.
- Dianjurkan untuk memakai masker anti debu dengan filter kelas P2.

Taatilah peraturan-peraturan untuk bahan-bahan yang dikerjakan yang berlaku di negara Anda.

► **Hindari debu yang banyak terkumpul di tempat kerja.** Debu dapat tersulut dengan mudah.

Penggunaan

Pengoperasian pertama kali


Mengatur mode pengoperasian

Pilih mode pengoperasian perkakas listrik menggunakan switch getaran/penghenti putaran **(13)**.

- Untuk mengganti mode pengoperasian, tekan tombol rilis **(12)** dan putar switch getaran/penghenti putaran **(13)** ke posisi yang diinginkan hingga switch terdengar mengunci.

Catatan: Hanya ubah mode pengoperasian saat perkakas listrik dimatikan! Jika tidak, perkakas listrik dapat rusak.

 Posisi untuk **Pengeboran benda keras** pada beton atau batu

 Posisi untuk **Pengeboran tanpa getaran** pada kayu, logam, keramik dan bahan sintesis serta untuk **Penyekrupan**

Mengatur arah putaran (lihat gambar D)

Arah putaran perkakas listrik dapat diubah menggunakan switch arah putaran **(8)**. Namun, hal ini tidak dapat dilakukan jika tombol on/off **(10)** ditekan.

► **Tekan switch arah putaran (8) hanya saat perkakas listrik sedang tidak beroperasi.**

Selalu atur arah putaran ke kanan untuk mengebor benda keras dan mengebor biasa.

- **Putaran ke kanan:** Untuk mengebor dan menyekrup, tekan switch arah putaran **(8)** ke kiri hingga maksimal.
- **Putaran ke kiri:** Untuk mengendurkan atau melepas sekrup dan mur, tekan switch arah putaran **(8)** ke kanan hingga maksimal.

Catatan: Jika switch arah putaran berada di posisi tengah, tombol on/off terkunci.

Menyalakan/mematikan

- Untuk **menyalakan** perkakas listrik, tekan tombol on/off **(10)**.

Lampu kerja **(14)** akan menyala saat tombol on/off **(10)** ditekan singkat atau ditekan kuat dan lampu kerja membantu menerangi area kerja saat kondisi cahaya minim.

- Untuk **mematikan** perkakas listrik, lepaskan tombol on/off **(10)**.

Pada suhu yang rendah perkakas listrik ini baru setelah lewat beberapa waktu mencapai daya kemampuan hamering/getaran penuh.

Mengatur kecepatan putaran/tingkat getaran

Kecepatan putaran/tingkat getaran dari perkakas listrik yang dihidupkan dapat diatur terus-menerus bergantung seberapa kuat tombol on/off **(10)** ditekan.

Jika tombol on/off **(10)** ditekan singkat, kecepatan putaran/tingkat getaran akan menjadi rendah. Jika tombol ditekan kuat, kecepatan putaran/tingkat getaran akan bertambah.

Petunjuk pengoperasian

Mengatur kedalaman pengeboran (lihat gambar E)

Dengan pembatas kedalaman (17), kedalaman pengeboran **X** yang diinginkan dapat ditetapkan.

- Tekan tombol untuk mengatur pembatas kedalaman (15) dan pasang pembatas kedalaman ke gagang tambahan (16).
Permukaan yang menonjol pada pembatas kedalaman (17) harus menghadap ke bawah.
- Masukkan alat sisipan SDS plus ke dalam dudukan alat kerja SDS plus hingga maksimal. Alat sisipan SDS plus yang goyah dapat menyebabkan kesalahan pengaturan kedalaman pengeboran.
- Tarik keluar pembatas kedalaman hingga jarak antara ujung mata bor dan ujung pembatas kedalaman sesuai dengan kedalaman pengeboran **X** yang diinginkan.

Torsi kelebihan beban

- ▶ **Jika alat sisipan terjepit atau tersangkut, maka daya penggerak ke spindel bor akan terhenti. Akibat daya yang timbul, tahan selalu perkakas listrik dengan kuat menggunakan kedua tangan dan ambil pijakan yang kuat.**
- ▶ **Jika perkakas listrik macet, matikan perkakas listrik dan lepaskan alat sisipan. Jika perkakas listrik dihidupkan dengan kondisi mesin bor masih macet, hal ini dapat menyebabkan terjadinya torsi reaksi yang besar.**

Penonaktifan cepat (KickBack Control)



Penonaktifan cepat (KickBack Control) menawarkan kontrol yang lebih baik pada perkakas listrik dan meningkatkan perlindungan terhadap pengguna dibandingkan dengan perkakas listrik tanpa KickBack

Control. Perkakas listrik akan mati jika perkakas listrik berputar di sekitar sumbu bor secara mendadak dan tak terduga.

- Untuk mengoperasikan kembali perkakas listrik, lepaskan tombol on/off (10) lalu tekan kembali.

Penonaktifan cepat ini akan ditunjukkan melalui berkedipnya lampu kerja (14) pada perkakas listrik.

Peredaman getaran



Peredaman getaran yang terintegrasi akan mengurangi getaran yang muncul.

- ▶ **Hentikan penggunaan perkakas listrik jika elemen peredaman rusak.**

Kontrol elektronik konstan



Kontrol elektronik konstan menjaga kecepatan putaran secara konstan saat pengoperasian tanpa beban dan pada kondisi beban tertentu. Hal ini menjamin hasil kerja yang merata.

Memasang mata obeng (lihat gambar F)

- ▶ **Pasang perkakas listrik pada mur/sekrup hanya saat dalam keadaan mati.** Alat sisipan yang berputar dapat tergelincir.

Untuk menggunakan mata obeng, diperlukan dudukan bit universal dengan poros pemasangan SDS plus (18) atau dudukan bit universal dengan poros silinder atau poros heksagonal (19).

Masukkan dudukan bit universal dengan poros pemasangan SDS plus

- Bersihkan ujung poros pemasangan dan lumasi dengan sedikit minyak.
- Pasang dudukan bit universal (18) ke dudukan alat kerja dengan memutarnya hingga terkunci secara otomatis.
- Periksa pengunciannya dengan menarik dudukan bit universal.
- Pasang mata obeng ke dalam dudukan bit universal (18). Hanya gunakan mata obeng yang sesuai dengan kepala sekrup.
- Untuk melepaskan dudukan bit universal (18), dorong selongsong pengunci ke belakang dan lepaskan dudukan bit universal dari dudukan alat kerja.

Memasang dudukan bit universal dengan poros silinder atau poros heksagonal

- Pasang dudukan bit universal dengan poros silinder atau poros heksagonal (19). Lanjutkan dengan cara yang sama seperti saat memasang alat sisipan (lihat „Memasang alat sisipan (lihat gambar C1)“, Halaman 52).
- Periksa pengunciannya dengan menarik dudukan bit universal (19).
- Pasang mata obeng ke dalam dudukan bit universal (19). Hanya gunakan mata obeng yang sesuai dengan kepala sekrup.
- Untuk melepas dudukan bit universal (19), lakukan dengan cara yang sama saat melepas alat sisipan (lihat „Melepaskan alat sisipan (lihat gambar C2)“, Halaman 53).

Memasang alat pelindung jatuh (lihat gambar G)

Catatan: Sebaiknya gunakan alat pelindung jatuh (21) yang sesuai dengan berat sistem untuk mengamankan perkakas listrik agar tidak terjatuh. Panjang alat pelindung jatuh maksimal yang diperbolehkan adalah 1,8 m. Perhatikan area pemasangan yang diperbolehkan (20) pada perkakas listrik dengan saksama.

Sebaiknya gunakan loop perekat yang dikencangkan dengan simpul jangkar atau alat pelindung jatuh dengan peredam camber sebagai alat pelindung jatuh.

Perhatikan panduan pengoperasian dengan saksama saat memasang alat pelindung jatuh (21).

- ▶ **Pastikan untuk memasang sisi belakang alat pelindung jatuh ke struktur yang stabil (misalnya bangunan atau perancah) dan jangan pernah memasangnya ke pengguna itu sendiri. Alat pelindung jatuh harus dapat bergerak bebas dan hanya boleh dipasang pada titik pemasangan**

tetap (22) dan di area pemasangan yang diperbolehkan (20) pada perkakas listrik. Pilih titik pemasangan tetap (22) agar, jika perkakas listrik terjatuh, perkakas listrik dapat jatuh dengan bebas ke alat pelindung jatuh tanpa melibatkan atau membahayakan pengguna. Jangan pernah menggunakan alat pelindung jatuh pada perkakas listrik dengan terpasangnya unit ekstraksi debu.

Perawatan dan servis

Perawatan dan pembersihan

- ▶ Lepaskan baterai dari perkakas listrik sebelum melakukan pekerjaan apa pun pada perkakas listrik (misalnya perawatan, penggantian alat kerja, dll.). Terdapat risiko cedera apabila tombol on/off ditekan secara tidak sengaja.
 - ▶ Perkakas listrik dan lubang ventilasi harus selalu dibersihkan agar perkakas dapat digunakan dengan baik dan aman.
 - ▶ Tutup pelindung debu yang rusak harus segera diganti. Direkomendasikan untuk melakukannya di layanan pelanggan Bosch.
- Bersihkan dudukan alat kerja setiap kali selesai digunakan.

Layanan pelanggan dan konsultasi penggunaan

Layanan pelanggan Bosch menjawab semua pertanyaan Anda tentang reparasi dan perawatan serta tentang suku cadang produk ini. Gambaran teknis (exploded view) dan informasi mengenai suku cadang dapat ditemukan di: www.bosch-pt.com

Tim konsultasi penggunaan Bosch akan membantu Anda menjawab pertanyaan seputar produk kami beserta aksesorinya.

Jika Anda hendak menanyakan sesuatu atau memesan suku cadang, selalu sebutkan nomor model yang terdiri dari 10 angka dan tercantum pada label tipe produk.

Indonesia

PT Robert Bosch Indonesia
Arkadia Green Park Tower G – 7th floor
Jl. Let. Jend. TB. Simatupang Kav. 88
Jakarta 12520
Tel.: (021) 3005 5800
Fax: (021) 3005 5801
E-Mail: boschpowertools@id.bosch.com
www.bosch-pt.co.id

Alamat layanan lainnya dapat ditemukan di:

www.bosch-pt.com/serviceaddresses

Transpor

Baterai li-ion yang direkomendasikan tunduk pada persyaratan terkait peraturan tentang bahan-bahan yang berbahaya. Baterai dapat diangkut di jalan oleh penggunanya tanpa pembatasan lebih lanjut.

Pada pengiriman oleh pihak ketiga (misalnya transportasi udara atau perusahaan ekspedisi), persyaratan terkait pengemasan dan pemberian tanda harus diperhatikan. Dalam hal ini, diperlukan konsultasi dengan ahli bahan-bahan berbahaya saat menyiapkan barang pengiriman. Kirimkan baterai hanya jika housing-nya tidak rusak. Tutup bagian-bagian yang terbuka dan kemas baterai agar tidak bergerak-gerak di dalam kemasan. Taatilah peraturan-peraturan nasional lainnya yang mungkin lebih rinci yang berlaku di negara Anda.

Cara membuang



Perkakas listrik, baterai, aksesoris dan kemasan harus didaur ulang dengan cara yang ramah lingkungan.



Jangan membuang perkakas listrik, aki/baterai ke dalam sampah rumah tangga!

Baterai:

Li-ion:

Perhatikanlah petunjuk-petunjuk dalam bab Transpor (lihat „Transpor“, Halaman 55).

Tiếng Việt

Hướng dẫn an toàn

Hướng dẫn an toàn chung cho dụng cụ điện

⚠ CẢNH BÁO Hãy đọc toàn bộ các cảnh báo an toàn, hướng dẫn, hình ảnh và thông số kỹ thuật được cung cấp cho dụng cụ điện cầm tay này. Không tuân thủ mọi hướng dẫn được liệt kê dưới đây có thể bị điện giật, gây cháy và /hay bị thương tật nghiêm trọng. **Hãy giữ tất cả tài liệu về cảnh báo và hướng dẫn để tham khảo về sau.**

Thuật ngữ "dụng cụ điện cầm tay" trong phần cảnh báo là đề cập đến sự sử dụng dụng cụ điện cầm tay của bạn, loại sử dụng điện nguồn (có dây cắm điện) hay vận hành bằng pin (không dây cắm điện).

Khu vực làm việc an toàn

- ▶ **Giữ nơi làm việc sạch và đủ ánh sáng.** Nơi làm việc bừa bộn và tối tăm dễ gây ra tai nạn.
- ▶ **Không vận hành dụng cụ điện cầm tay trong môi trường dễ gây nổ, chẳng hạn như nơi có chất lỏng dễ cháy, khí đốt hay rác.** Dụng cụ điện cầm tay tạo ra các tia lửa nên có thể làm rác bén cháy hay bốc khói.

- ▶ **Không để trẻ em hay người đến xem đứng gần khi vận hành dụng cụ điện cầm tay.** Sự phân tâm có thể gây ra sự mất điều khiển.

An toàn về điện

- ▶ **Phích cắm của dụng cụ điện cầm tay phải thích hợp với ổ cắm. Không bao giờ được cải biến lại phích cắm dưới mọi hình thức. Không được sử dụng phích tiếp hợp nổi tiếp đất (dây mát).** Phích cắm nguyên bản và ổ cắm đúng loại sẽ làm giảm nguy cơ bị điện giật.
- ▶ **Tránh không để thân thể tiếp xúc với đất hay các vật có bề mặt tiếp đất như đường ống, lò sưởi, hàng rào và tủ lạnh.** Có nhiều nguy cơ bị điện giật hơn nếu cơ thể bạn tiếp xúc với đất.
- ▶ **Không được để dụng cụ điện cầm tay ngoài mưa hay ở tình trạng ẩm ướt.** Nước vào máy sẽ làm tăng nguy cơ bị điện giật.
- ▶ **Không được lạm dụng dây dẫn điện. Không bao giờ được nắm dây dẫn để xách, kéo hay rút phích cắm dụng cụ điện cầm tay. Không để dây gần nơi có nhiệt độ cao, dầu nhớt, vật nhọn bén và bộ phận chuyển động.** Làm hỏng hay cuộn rối dây dẫn làm tăng nguy cơ bị điện giật.
- ▶ **Khi sử dụng dụng cụ điện cầm tay ngoài trời, dùng dây nối thích hợp cho việc sử dụng ngoài trời.** Sử dụng dây nối thích hợp cho việc sử dụng ngoài trời làm giảm nguy cơ bị điện giật.
- ▶ **Nếu việc sử dụng dụng cụ điện cầm tay ở nơi ẩm ướt là không thể tránh được, dùng thiết bị ngắt mạch tự động (RCD) bảo vệ nguồn.** Sử dụng thiết bị ngắt mạch tự động RCD làm giảm nguy cơ bị điện giật.

An toàn cá nhân

- ▶ **Hãy tỉnh táo, biết rõ mình đang làm gì và hãy sử dụng ý thức khi vận hành dụng cụ điện cầm tay. Không sử dụng dụng cụ điện cầm tay khi đang mệt mỏi hay đang bị tác động do chất gây nghiện, rượu hay được phẩm gây ra.** Một thoáng mất tập trung khi đang vận hành dụng cụ điện cầm tay có thể gây thương tích nghiêm trọng cho bản thân.
- ▶ **Sử dụng trang bị bảo hộ cá nhân. Luôn luôn đeo kính bảo vệ mắt.** Trang bị bảo hộ như khẩu trang, giày chống trượt, nón bảo hộ, hay dụng cụ bảo vệ tai khi được sử dụng đúng nơi đúng chỗ sẽ làm giảm nguy cơ thương tật cho bản thân.
- ▶ **Phòng tránh máy khởi động bất ngờ. Bảo đảm công tắc máy ở vị trí tắt trước khi cắm vào nguồn điện và/hay lắp pin vào, khi nhắc máy lên hay khi mang xách máy. Ngáng ngón tay vào công tắc máy để xách hay kích hoạt dụng cụ điện cầm tay khi công tắc ở vị trí mở dễ dẫn đến tai nạn.**
- ▶ **Lấy mọi chia hay khóa điều chỉnh ra trước khi mở điện dụng cụ điện cầm tay.** Khóa hay

chia còn gắn dính vào bộ phận quay của dụng cụ điện cầm tay có thể gây thương tích cho bản thân.

- ▶ **Không rướn người. Luôn luôn giữ tư thế đứng thích hợp và thăng bằng.** Điều này tạo cho việc điều khiển dụng cụ điện cầm tay tốt hơn trong mọi tình huống bất ngờ.
- ▶ **Trang phục thích hợp. Không mặc quần áo rộng lung tung hay mang trang sức. Giữ tóc và quần áo xa khỏi các bộ phận chuyển động.** Quần áo rộng lung tung, đồ trang sức hay tóc dài có thể bị cuốn vào các bộ phận chuyển động.
- ▶ **Nếu có các thiết bị đi kèm để nối máy hút bụi và các phụ kiện khác, bảo đảm các thiết bị này được nối và sử dụng tốt.** Việc sử dụng các thiết bị gom hút bụi có thể làm giảm các độc hại liên quan đến bụi gây ra.
- ▶ **Không để thói quen do sử dụng thường xuyên dụng cụ khiến bạn trở nên chủ quan và bỏ qua các quy định an toàn dụng cụ.** Một hành vi bất cẩn có thể gây ra thương tích nghiêm trọng chỉ trong tích tắc.

Sử dụng và bảo dưỡng dụng cụ điện cầm tay

- ▶ **Không được ép máy. Sử dụng dụng cụ điện cầm tay đúng loại theo đúng ứng dụng của bạn.** Dụng cụ điện cầm tay đúng chức năng sẽ làm việc tốt và an toàn hơn theo đúng tiến độ mà máy được thiết kế.
- ▶ **Không sử dụng dụng cụ điện cầm tay nếu như công tắc không tắt và mở được.** Bất kỳ dụng cụ điện cầm tay nào mà không thể điều khiển được bằng công tắc là nguy hiểm và phải được sửa chữa.
- ▶ **Rút phích cắm ra khỏi nguồn điện và/hay pin ra khỏi dụng cụ điện cầm tay nếu có thể tháo được, trước khi tiến hành bất kỳ điều chỉnh nào, thay phụ kiện, hay cất dụng cụ điện cầm tay.** Các biện pháp ngăn ngừa như vậy làm giảm nguy cơ dụng cụ điện cầm tay khởi động bất ngờ.
- ▶ **Cất giữ dụng cụ điện cầm tay không dùng tới nơi trẻ em không lấy được và không cho người chưa từng biết dụng cụ điện cầm tay hay các hướng dẫn này sử dụng dụng cụ điện cầm tay.** Dụng cụ điện cầm tay nguy hiểm khi ở trong tay người chưa được chỉ cách sử dụng.
- ▶ **Bảo quản dụng cụ điện cầm tay và các phụ kiện. Kiểm tra xem các bộ phận chuyển động có bị sai lệch hay kẹt, các bộ phận bị rạn nứt và các tình trạng khác có thể ảnh hưởng đến sự vận hành của máy. Nếu bị hư hỏng, phải sửa chữa máy trước khi sử dụng.** Nhiều tai nạn xảy ra do bảo quản dụng cụ điện cầm tay tồi.

- ▶ **Giữ các dụng cụ cất bện và sạch.** Bảo quản đúng cách các dụng cụ cất có cạnh cắt bện làm giảm khả năng bị kẹt và dễ điều khiển hơn.
- ▶ **Sử dụng dụng cụ điện cầm tay, phụ kiện, đầu cài v. v., đúng theo các chỉ dẫn này, hãy lưu ý đến điều kiện làm việc và công việc phải thực hiện.** Sự sử dụng dụng cụ điện cầm tay khác với mục đích thiết kế có thể tạo nên tình huống nguy hiểm.
- ▶ **Giữ tay cầm và bề mặt nắm luôn khô ráo, sạch sẽ và không dính dầu mỡ.** Tay cầm và bề mặt nắm trơn trượt không đem lại thao tác an toàn và kiểm soát dụng cụ trong các tình huống bất ngờ.

Sử dụng và bảo quản dụng cụ dùng pin

- ▶ **Chỉ được sạc pin lại với bộ nạp điện do nhà sản xuất chỉ định.** Bộ nạp điện thích hợp cho một loại pin có thể gây nguy cơ cháy khi sử dụng cho một loại pin khác.
- ▶ **Chỉ sử dụng dụng cụ điện cầm tay với loại pin được thiết kế đặt dành riêng cho máy.** Sử dụng bất cứ loại pin khác có thể dẫn đến thương tật hay cháy.
- ▶ **Khi không sử dụng pin, để cách xa các vật bằng kim loại như kẹp giấy, tiền xu, chìa khoá, đinh, ốc vít hay các đồ vật kim loại nhỏ khác, thứ có thể tạo sự nối tiếp từ một đầu cực với một đầu cực khác.** Sự chập mạch của các đầu tiếp với nhau có thể gây bỏng hay cháy.
- ▶ **Bảo quản ở tình trạng tối, dung dịch từ pin có thể tứa ra; tránh tiếp xúc.** Nếu vô tình chạm phải, hãy xối nước để rửa. Nếu dung dịch vào mắt, cần thêm sự hỗ trợ của y tế. Dung dịch tiết ra từ pin có thể gây ngứa hay bỏng.
- ▶ **Không được sử dụng bộ pin hoặc dụng cụ đã bị hư hại hoặc bị thay đổi.** Pin hỏng hoặc bị thay đổi có thể gây ra những tác động không lường trước được như cháy nổ hoặc nguy cơ thương tích.
- ▶ **Không đặt bộ pin hoặc dụng cụ ở gần lửa hoặc nơi quá nhiệt.** Tiếp xúc với lửa hoặc nhiệt độ cao trên 130 °C có thể gây nổ.
- ▶ **Tuân thủ tất cả các hướng dẫn nạp và không nạp bộ pin hay dụng cụ ở bên ngoài phạm vi nhiệt độ đã được quy định trong các hướng dẫn.** Nạp không đúng cách hoặc ở nhiệt độ ngoài phạm vi nạp đã quy định có thể làm hư hại pin và gây nguy cơ cháy.

Bảo dưỡng

- ▶ **Đưa dụng cụ điện cầm tay của bạn đến thợ chuyên môn để bảo dưỡng, chỉ sử dụng phụ tùng đúng chủng loại để thay.** Điều này sẽ đảm bảo sự an toàn của máy được giữ nguyên.
- ▶ **Không bao giờ sửa chữa các bộ pin đã hư hại.** Chỉ cho phép nhà sản xuất hoặc các nhà cung cấp dịch vụ có ủy quyền thực hiện dịch vụ sửa chữa cho các bộ pin.

Hướng dẫn an toàn về búa

Hướng dẫn an toàn cho mọi hoạt động

- ▶ **Đeo ba ỏ về tai.** Tiếp xúc với tiếng ồn có thể làm mất khả năng nghe.
- ▶ **Sử dụng (các) tay cầm phụ, nếu được cung cấp kèm theo dụng cụ.** Mất điều khiển có thể gây ra thương tích cho người.
- ▶ **Chỉ cầm dụng cụ điện tại các bề mặt cầm nắm có cách điện, khi thực hiện một thao tác tại vị trí mà phụ kiện cắt hoặc dụng cụ kẹp có thể tiếp xúc với dây điện ngầm.** Phụ kiện cắt hoặc dụng cụ kẹp tiếp xúc với dây có điện có thể làm cho các phần kim loại hở của dụng cụ điện cầm tay có điện và có thể gây ra điện giật cho người vận hành.

Hướng dẫn an toàn khi sử dụng các mũi khoan dài với máy khoan búa kiểu xoay

- ▶ **Luôn khởi động khoan ở tốc độ thấp và với đầu mũi khoan tiếp xúc với phôi gia công.** Ở tốc độ cao hơn, mũi khoan có thể bị cong nếu cho phép xoay tự do mà không cho tiếp xúc với phôi gia công, dẫn đến thương tích cho người.
- ▶ **Chỉ dùng áp lực vào đường trục tiếp bằng mũi khoan và không dùng áp lực dư.** Mũi khoan có thể cong, dẫn đến bị gãy hoặc mất kiểm soát, gây thương tích cho người.

Các cảnh báo phụ thêm

- ▶ **Dùng thiết bị dò tìm thích hợp để xác định nếu có các công trình công cộng lắp đặt ngầm trong khu vực làm việc hay liên hệ với Cty công trình công cộng địa phương để nhờ hỗ trợ.** Dụng cụ chạm đường dẫn điện có thể gây ra hỏa hoạn và điện giật. Làm hư hại đường dẫn khí ga có thể gây nổ. Làm thủng ống dẫn nước có thể làm hư hại tài sản hay có thể gây ra điện giật.
- ▶ **Luôn luôn đợi cho máy hoàn toàn ngừng hẳn trước khi đặt xuống.** Dụng cụ lắp vào máy có thể bị kẹp chặt dẫn đến việc dụng cụ điện cầm tay bị mất điều khiển.
- ▶ **Kẹp chặt vật gia công.** Vật gia công được kẹp bằng một thiết bị kẹp hay bằng ê-tô thì vững chắc hơn giữ bằng tay.
- ▶ **Trong trường hợp pin bị hỏng hay sử dụng sai cách, hơi nước có thể bốc ra. Pin có thể cháy hoặc nổ.** Hãy làm cho thông thoáng khí và trong trường hợp bị đau phải nhờ y tế chữa trị. Hơi nước có thể gây ngứa hệ hô hấp.
- ▶ **Không thay đổi và mở pin.** Nguy cơ bị chập mạch.
- ▶ **Pin có thể bị hư hại bởi các vật dụng nhọn như đinh hay tuốc-nơ-vít hoặc bởi các tác động lực từ bên ngoài.** Nó có thể dẫn tới đoản mạch nội bộ và làm pin bị cháy, bốc khói, phát nổ hoặc quá nóng.

- ▶ **Chỉ sử dụng pin trong các sản phẩm của nhà sản xuất.** Chỉ bằng cách này, pin sẽ được bảo vệ tránh nguy cơ quá tải.



Bảo vệ pin không để bị làm nóng, ví dụ, chống để lâu dài dưới ánh nắng gay gắt, lửa, chất bẩn, nước, và sự ẩm ướt. Có nguy cơ nổ và chập mạch.



- ▶ **Không chạm vào bất kỳ dụng cụ hoặc bộ phận vô gắn kể nào ngay sau khi vận hành.** Chúng có thể rất nóng trong quá trình vận hành và gây bỏng.
- ▶ **Dụng cụ gài có thể chặn khi khoan. Giữ dụng cụ điện thật chắc bằng cả hai tay và giữ tư thế đứng cho thích hợp và cân bằng.** Bạn có thể mất kiểm soát thông qua dụng cụ điện.
- ▶ **Không hướng dụng cụ điện vào người ở gần trong khi vận hành.** Dụng cụ gài có thể văng ra ngoài và gây thương tích nghiêm trọng.
- ▶ **Luôn đội mũ bảo hiểm và đeo kính bảo vệ hoặc tấm chắn mặt.** Kính thông thường hoặc kính râm không phải là kính bảo vệ.
- ▶ **Kiểm tra độ khít chặt của dụng cụ gài trước khi vận hành.**
- ▶ **Luôn đảm bảo rằng bạn có một chỗ đứng chắc chắn. Đảm bảo không ai ở bên dưới bạn, khi bạn sử dụng dụng cụ điện ở một vị trí cao, ví dụ trên thang.**
- ▶ **Không mở hoặc đóng đầu cặp mũi khoan bằng cách bật dụng cụ điện.** Mũi khoan có thể bị văng ra, có nguy cơ thương tích.
- ▶ **Không hướng dụng cụ điện vào người ở gần trong khi vận hành.** Dụng cụ gài có thể văng ra ngoài và gây thương tích nghiêm trọng.
- ▶ **Luôn đội mũ bảo hiểm và đeo kính bảo vệ hoặc tấm chắn mặt.** Kính thông thường hoặc kính râm không phải là kính bảo vệ.
- ▶ **Kiểm tra độ khít chặt của dụng cụ gài trước khi vận hành.**
- ▶ **Luôn đảm bảo rằng bạn có một chỗ đứng chắc chắn. Đảm bảo không ai ở bên dưới bạn, khi bạn sử dụng dụng cụ điện ở một vị trí cao, ví dụ trên thang.**
- ▶ **Không mở hoặc đóng đầu cặp mũi khoan bằng cách bật dụng cụ điện.** Mũi khoan có thể bị văng ra, có nguy cơ thương tích.
- ▶ **Giữ máy thật chắc bằng cả hai tay trong khi làm việc và luôn luôn giữ tư thế đứng cho thích hợp và cân bằng.** Dùng hai tay để điều khiển máy thì an toàn hơn.

Mô Tả Sản Phẩm và Đặc Tính Kỹ Thuật



Đọc kỹ mọi cảnh báo an toàn và mọi hướng dẫn. Không tuân thủ mọi cảnh báo và hướng dẫn được liệt kê dưới đây có thể bị điện giật, gây cháy và / hay bị thương tật nghiêm trọng.

Xin lưu ý các hình minh họa trong phần trước của hướng dẫn vận hành.

Sử dụng đúng cách

Dụng cụ điện được dùng cho các công việc dùng búa để khoan bê tông, gạch và đá. Cũng tương tự phù hợp để khoan mà không cần va đập vào gỗ, kim loại, sứ và chất dẻo. Máy có bộ phận điều khiển điện tử và quay được chiều phải/trái cũng thích hợp cho việc bắt vít.

Các bộ phận được minh họa

Việc đánh số các thành phần đã minh họa liên quan đến mô tả dụng cụ điện trên trang hình ảnh.

- (1) Đầu cặp mũi khoan **MỘT MÂM CẤP**
- (2) Phần lắp dụng cụ **MỘT MÂM CẤP**
- (3) Chụp ngăn bụi
- (4) Khớp vòng ngoài
- (5) Khớp vòng trong
- (6) Bộ phận giảm chấn
- (7) Núm tháo pin^{a)}
- (8) Gạc vận chuyển đổi chiều quay
- (9) Tay nắm (bề mặt nắm cách điện)
- (10) Công tắc bật/tắt
- (11) Pin^{a)}
- (12) Núm nhà khóa để sử dụng gạc chọn phương thức hoạt động
- (13) Gạc Chọn Chế Độ Hoạt Động
- (14) Đèn làm việc
- (15) Núm điều chỉnh cho cỡ định độ sâu
- (16) Tay nắm phụ (có bề mặt nắm cách điện)
- (17) Cỡ định độ sâu
- (18) Phần lắp đầu gài phổ thông với chuỗi SDS plus^{a)}
- (19) Phần lắp đầu gài phổ thông có trục hình trụ hoặc trục lục giác^{a)}
- (20) Vùng gắn thiết bị chống rơi trên dụng cụ điện
- (21) Thiết bị chống rơi^{b)}
- (22) Điểm gắn cố định thiết bị chống rơi^{b)}

a) Phụ kiện này không thuộc phạm vi giao hàng tiêu chuẩn.

b) Phụ kiện này không thuộc phạm vi cung cấp tiêu chuẩn và không thuộc dòng phụ kiện của Bosch.

Thông số kỹ thuật

Búa khoan dùng pin		GBH 18V-18 X
Mã số máy		3 611 J27 1..
Điện thế danh định	V=	18
Tốc độ danh định ^{A)}	/phút	900
Tần suất đập ^{A)}	/phút	5000
Phần lắp dụng cụ		– SDS plus – hình trụ – Vít lục giác
Vùng kẹp đầu cặp mũi khoan trục hình trụ	mm	6–10
Ø lỗ khoan tối đa		
– Bê tông	mm	18
– Thép	mm	10
– Gỗ	mm	18
Trọng lượng ^{B)}	kg	2,2 kg (1,5 Ah)– 3,2 kg (12,0 Ah)
Nhiệt độ môi trường được khuyến nghị khi sạc	°C	0 ... +35
Nhiệt độ môi trường cho phép trong quá trình vận hành ^{C)} và trong quá trình lưu trữ	°C	–20 ... +50
Pin tương thích		GBA 18V... ProCORE18V...
Thiết bị nạp được giới thiệu		GAL 18... GAX 18... GAL 36...

A) được đo ở 20–25 °C với pin **GBA 18V 4.0Ah**

B) tùy vào loại pin lắp đang sử dụng

C) hiệu suất giới hạn ở nhiệt độ < 0 °C

Các dữ kiện kỹ thuật được xác định cho pin được giao cùng hàng hóa cung cấp.

Các giá trị có thể khác nhau tùy thuộc vào sản phẩm và tùy thuộc vào ứng dụng và điều kiện môi trường. Xem thêm thông tin chi tiết trên trang www.bosch-professional.com/wac.

Pin

Bosch mua dụng cụ điện chạy pin không có pin. Dù pin được bao gồm trong phạm vi giao hàng của dụng cụ điện, bạn có thể tháo bao bì.

Sạc pin

- **Chỉ sử dụng bộ sạc được đề cập trong dữ liệu kỹ thuật.** Chỉ những bộ sạc này phù hợp cho dụng cụ điện cầm tay của bạn có sử dụng pin Li-Ion.

Hướng dẫn: Pin Lithium-ion được giao một phần do các quy định vận tải quốc tế. Để bảo đảm đầy đủ điện dung, nạp điện hoàn toàn lại cho pin trước khi sử dụng cho lần đầu tiên.

Lắp pin

Hãy đẩy pin đã sạc vào giá gắn pin cho đến khi nó vào khớp.

Tháo pin ra



Để tháo pin bạn hãy ấn nút mở khóa pin và kéo pin ra. **Không dùng sức.**

Pin có 2 mức khóa, có nhiệm vụ ngăn ngừa pin bị rơi ra do vô ý bấm phải nút tháo pin. Cứ khi nào pin còn được lắp trong dụng cụ điện, nó vẫn được giữ nguyên vị trí nhờ vào một lò xo.

Đèn báo trạng thái nạp pin

Lưu ý: Không phải mọi loại pin đều có một hiển thị mức sạc.

Các đèn LED màu xanh của màn hình hiển thị tình trạng sạc pin chỉ ra tình trạng sạc của pin. Vì lý do an toàn, ta chỉ có thể kiểm tra trạng thái của tình trạng nạp điện khi máy đã ngừng hoạt động hoàn toàn.

Để hiển thị tình trạng nạp, bạn hãy nhấn nút để hiển thị mức sạc  hoặc . Điều này cũng có thể thực hiện khi ắc quy được tháo ra.

Đèn LED không sáng sau khi nhấn nút để hiển thị mức sạc có nghĩa là pin bị hỏng và phải được thay thế.

Kiểu pin GBA 18V...



LED	Điện dung
Đèn sáng liên tục 3× màu xanh lá	60–100 %
Đèn sáng liên tục 2× màu xanh lá	30–60 %
Đèn sáng liên tục 1× màu xanh lá	5–30 %
Đèn nhấp nháy 1× màu xanh lá	0–5 %

Kiểu pin ProCORE18V...



LED	Điện dung
Đèn sáng liên tục 5× màu xanh lá	80–100 %
Đèn sáng liên tục 4× màu xanh lá	60–80 %
Đèn sáng liên tục 3× màu xanh lá	40–60 %
Đèn sáng liên tục 2× màu xanh lá	20–40 %
Đèn sáng liên tục 1× màu xanh lá	5–20 %
Đèn nhấp nháy 1× màu xanh lá	0–5 %

Các Khuyến Nghị về Cách Bảo Dưỡng Tốt Nhất cho Pin

Bảo vệ pin hợp khối tránh sự ẩm ướt và nước.

Chỉ bảo quản pin trong tầm nhiệt độ nằm giữa -20°C và 50°C . Không để pin trong ô tô vào mùa hè.

Thỉnh thoảng làm sạch các khe thông gió của pin bằng cách dùng một cái cọ khô, mềm và sạch.

Sự giám sát đáng kể thời gian hoạt động sau khi nạp điện chỉ rõ rằng pin hợp khối đã hết công dụng và phải được thay.

Quy trình hoạt động được chia ra làm hai giai đoạn.

Sự lắp vào

- ▶ **Trước khi tiến hành bất cứ công việc gì với máy (ví dụ: bảo dưỡng, thay dụng cụ v.v..) tháo pin ra khỏi dụng cụ điện.** Có nguy cơ gây thương tích khi vô tình làm kích hoạt công tắc bật/tắt.

Tay nắm phụ

- ▶ **Chỉ vận hành máy của bạn khi đã gắn tay nắm phụ (16).**
- ▶ **Đảm bảo tay nắm phụ luôn được siết chặt.** Bạn có thể mất kiểm soát thông qua dụng cụ điện khi làm việc.

Xoay tay nắm phụ (xem hình A)

Bạn có thể xoay tay nắm phụ (16) tùy ý, để có tư thế làm việc an toàn và ít mỏi.

- Xoay phần tay cầm dưới của tay nắm phụ (16) ngược chiều kim đồng hồ và xoay tay nắm phụ (16) vào vị trí mong muốn. Sau đó xoay mẫu tay cầm dưới của tay cầm phụ (16) theo chiều kim đồng hồ để siết chặt.

Hãy lưu ý rằng nẹp định vị của tay nắm phụ được đặt trong rãnh nằm trên vỏ máy đúng như chủ định.

Thay Dụng Cụ



Với đầu cặp mũi khoan **MỘT MÂM CẶP**, bạn có thể sử dụng dụng cụ gài SDS plus, dụng cụ gài hình trụ và lục giác một cách đơn giản và thuận tiện mà không cần dùng dụng cụ bổ sung

hoặc thay đầu cặp mũi khoan.

Chụp bảo vệ ngăn bụi (3) giúp ngăn cản phần lớn sự xâm nhập của bụi khoan vào dụng cụ trong thời gian hoạt động. Khi lắp dụng cụ vào, hãy lưu ý rằng chụp bảo vệ ngăn bụi (3) không bị làm hư hỏng.

- ▶ **Thay chụp ngăn bụi bị hỏng ngay lập tức. Chúng tôi khuyến nghị việc thay thế này do một đại lý phục vụ hậu mãi thực hiện.**

Thay đổi dụng cụ (SDS plus)

Lắp dụng cụ gài SDS plus (xem hình B1–B2)

- Giữ chặt bạc lót sau (5) của đầu cặp mũi khoan bằng một tay. Hãy mở phần lắp dụng cụ bằng tay kia bằng cách xoay khớp vòng trong phía trước (4) hết cỡ.

- Làm sạch đầu cuối cắm của dụng cụ gài SDS plus và bôi một ít mỡ.
- Lắp dụng cụ gài SDS plus vào phần lắp dụng cụ bằng cách xoay cho đến khi tự ăn vào khớp.
- Kiểm tra xem đã cài chắc chưa bằng cách kéo thử dụng cụ ra.

Theo như yêu cầu của hệ thống, dụng cụ gài SDS plus có thể chuyển động tự do. Điều này tạo ra sự đảo tảo tròn khi chạy không tải ở một mức nào đó. Việc này không làm ảnh hưởng đến độ chính xác của lỗ khoan, vì mũi khoan định tâm của chính nó trong khi khoan.

Tháo dụng cụ gài SDS plus (xem hình B3)

- Đẩy bạc lót sau (5) về phía sau và tháo dụng cụ gài SDS plus ra.

Thay dụng cụ (trục hình trụ, lục giác)

Thay phụ tùng (xem hình C1)

Hướng dẫn: Không sử dụng các dụng cụ không SDS plus để khoan búa! Khoan có động tác búa làm hỏng dụng cụ không phải loại SDS plus và mâm cặp của chúng.

Hướng dẫn: Chỉ sử dụng dụng cụ với trục hình trụ hoặc trục hình lục giác trong chế độ vận hành khoan.

- ▶ **Không đóng đầu cặp mũi khoan bằng cách bật dụng cụ điện.** Mũi khoan có thể bị văng ra, có nguy cơ thương tích.

Hướng dẫn: Chỉ sử dụng dụng cụ gài với trục hình trụ hoặc trục hình lục giác có đường kính trục 6 đến 10 mm.

- Vận công tắc dừng xoay/dừng đập (13) vào vị trí „Khoan“.
- Giữ chặt khớp vòng trong (5) của đầu cặp mũi khoan bằng một tay. Hãy mở phần lắp dụng cụ bằng tay kia bằng cách xoay bạc lót trước (4) cho đến khi dụng cụ gài có thể được lắp.
- Lắp dụng cụ gài hình trụ hoặc hình lục giác vào đầu cặp mũi khoan.
- Giữ chặt bạc lót sau (5) bằng một tay và xoay mạnh bạc lót trước (4) bằng tay kia theo hướng mũi tên cho đến khi nghe thấy tiếng clic.
- Kiểm tra xem đã vào chắc chưa bằng cách kéo thử dụng cụ ra.

Chỉ lắp dụng cụ gài, nếu dụng cụ điện tắt.

Tháo phụ tùng (xem hình C2)

- Giữ chặt khớp vòng trong (5) của đầu cặp mũi khoan bằng một tay. Hãy mở phần lắp dụng cụ bằng tay kia bằng cách xoay bạc lót trước (4) theo hướng mũi tên cho đến khi dụng cụ gài có thể được tháo.
- Tháo dụng cụ gài ra.
- ▶ **Không mở đầu cặp mũi khoan bằng cách bật dụng cụ điện.** Mũi khoan có thể bị văng ra, có nguy cơ thương tích.

Hút Dăm/Bụi

Mặt bụi từ các vật liệu được sơn phủ ngoài có chứa chì trên một số loại gỗ, khoáng vật và kim loại có thể gây nguy hại đến sức khoẻ con người. Đùng chạm hay hít thở các bụi này có thể làm người sử dụng hay đứng gần bị dị ứng và/hoặc gây nhiễm trùng hệ hô hấp.

Một số mặt bụi cụ thể, ví dụ như bụi gỗ sồi hay đậu, được xem là chất gây ung thư, đặc biệt là có liên quan đến các chất phụ gia dùng xử lý gỗ (chất cromat, chất bảo quản gỗ). Có thể chỉ nên để thợ chuyên môn gia công các loại vật liệu có chứa amiăng.

- Cách xa ở mức có thể được, sử dụng hệ thống hút thích hợp cho loại vật liệu.
- Tạo không khí thông thoáng nơi làm việc.
- Khuyến nghị nên mang mặt nạ phòng độc có bộ lọc cấp P2.

Tuân thủ các qui định của quốc gia bạn liên quan đến loại vật liệu gia công.

- ▶ **Tránh không để rác tích tụ tại nơi làm việc.**
Rác có thể dễ dàng bắt lửa.

Vận Hành

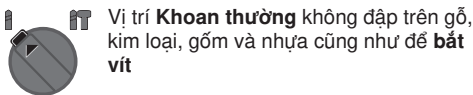
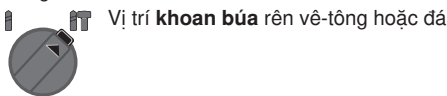
Bắt Đầu Vận Hành

Điều chỉnh chế độ vận hành

Bằng công tắc dùng xoay/dùng đập (13) hãy chọn chế độ vận hành của dụng cụ điện.

- Hãy nhấn nút mở khóa (12) để thay đổi chế độ vận hành và xoay công tắc dùng xoay/dùng đập (13) vào vị trí mong muốn, đến khi vào khớp.

Hướng dẫn: Chỉ thay đổi chế độ vận hành khi dụng cụ điện tắt! Nếu không, máy có thể bị làm hỏng.



Điều chỉnh hướng xoay (xem Hình D)

Với gạc vận chuyển đổi chiều quay (8) bạn có thể thay đổi hướng xoay của dụng cụ điện. Tuy nhiên, việc này không thực hiện được khi công tắc Tắt/Mở được nhấn (10).

- ▶ **Chỉ kích hoạt gạc vận chuyển đổi chiều quay (8) khi dụng cụ điện đã ngừng chạy.**

Luôn luôn chỉnh đặt chiều quay để khoan búa và khoan thường về chiều quay phải.

- **Quay phải:** Để khoan hay bắt vít, đẩy gạc vận chuyển đổi chiều quay (8) sang trái đến cỡ chặn.

- **Xoay ngược chiều kim đồng hồ:** Để nối lỏng hoặc tháo các vít và đai ốc hãy nhấn gạc vận chuyển đổi chiều quay (8) sang bên phải cho tới cỡ chặn.

Lưu ý: Nếu gạc vận chuyển đổi chiều quay ở vị trí chính giữa, công tắc bật/tắt sẽ bị chặn.

Bật/tắt

- Để **bật** dụng cụ điện cầm tay, bạn hãy nhấn công tắc Tắt/Mở (10).

Đèn làm việc (14) bật sáng khi công tắc Tắt/Mở được nhấn nhẹ hoặc nhấn hết cỡ (10) và cho phép chiếu sáng khu vực làm việc ở các điều kiện chiếu sáng kém.

- Để **tắt** dụng cụ điện, hãy nhả công tắc Tắt/Mở (10).

Đối với khí ở nhiệt độ thấp, máy đạt đến hết công suất búa/đập chỉ sau một khoảng thời gian nhất định.

Chỉnh đặt Tốc độ/Tần suất Đập

Bạn có thể liên tục điều chỉnh tốc độ/tần suất đập của dụng cụ điện đang bật tùy theo mức độ bấm công tắc Tắt/Mở mạnh hay nhẹ (10).

Bấm nhẹ công tắc Tắt/Mở (10) sẽ cho tốc độ/tần suất đập thấp. Lực áp mạnh hơn lên công tắc làm tăng tốc độ và tần suất đập.

Hướng Dẫn Sử Dụng

Điều chỉnh độ sâu lỗ khoan (xem hình E)

Nhờ chốt chặn độ sâu (17), bạn có thể xác định được độ sâu lỗ khoan **X** mong muốn.

- Bấm nút điều chỉnh cỡ định độ sâu (15) và điều chỉnh cỡ định độ sâu trên tay nắm phụ (16). Rãnh trên cỡ định độ sâu (17) phải hướng lên trên.
- Hãy đẩy dụng cụ gài SDS plus vào phần lắp dụng cụ SDS plus cho tới cỡ chặn. Nếu không, sự chuyển dịch của dụng cụ gài SDS plus có thể dẫn đến sự điều chỉnh sai độ sâu khoan.
- Kéo chốt chặn độ sâu ra xa sao cho khoảng cách giữa mũi khoan và đầu chốt chặn độ sâu phù hợp với độ sâu lỗ khoan mong muốn **X**.

Mô-men xoắn quá tải

- ▶ **Nếu dụng cụ lắp trong máy bị kẹt hay kẹt, lực truyền động đến trục khoan bị ngăn lại. Luôn giữ chặt dụng cụ điện bằng hai tay và đứng vững vì khi dụng cụ hoạt động sẽ phát sinh lực.**
- ▶ **Hãy tắt dụng cụ điện và tháo dụng cụ gài nếu dụng cụ điện bị vướng. Khi mở máy mà dụng cụ ứng dụng bị kẹt cứng, lực xoắn vận cao có thể xảy ra.**

Chế độ ngắt nhanh (KickBack Control)



Chế độ ngắt nhanh (KickBack Control) sẽ cung cấp cách kiểm soát dụng cụ điện tốt hơn và qua đó làm tăng mức độ bảo vệ người dùng so với các dụng cụ điện không có KickBack Control. Ở

những vòng quay đột ngột và không thể đoán trước của dụng cụ điện, dụng cụ điện sẽ tắt trực máy khoan.

- Để **khởi động lại** hãy thả nút bật tắt (10) và nhấn lại lần nữa.

Chế độ ngắt nhanh được thể hiện thông qua đèn làm việc của dụng cụ điện bị nháy (14).

Bộ phận giảm chấn



Bộ phận giảm chấn tích hợp sẽ giảm các rung động xuất hiện.

- ▶ **Không được tiếp tục sử dụng dụng cụ điện khi bộ phận giảm chấn đã bị hỏng.**

Bộ phận điều áp điện tử



Các thiết bị điện tử cố định duy trì tốc độ xoay không đổi khi chạy không tải và trong các điều kiện tải nhất định. Điều này đảm bảo công suất làm việc đồng đều.

Lắp đầu chia vặn vít (xem Hình F)

- ▶ **Chỉ đặt dụng cụ điện đã tắt lên đai ốc/vít.**
Dụng cụ đang quay có thể bị tuột ra.

Để sử dụng đầu chia vặn vít bạn cần có phần lắp đầu gài phổ thông với chuỗi tiếp hợp SDS plus (18) hoặc một phần lắp đầu gài phổ thông có trục hình trụ hoặc trục lục giác (19).

Lắp phần lắp đầu gài phổ thông với chuỗi tiếp hợp SDS plus

- Làm sạch cán chuỗi của chuỗi tiếp hợp và bôi một lớp mỏng dầu bôi trơn lên.
- Lắp phần lắp đầu gài phổ thông (18) bằng động tác xoay vào trong phần lắp dụng cụ cho đến khi được tự động khóa lại.
- Kiểm tra hiệu quả khóa bằng cách kéo thử phần lắp đầu gài phổ thông ra.
- Lắp đầu gài vặn vít vào trong phần lắp đầu gài phổ thông (18). Chỉ sử dụng đầu gài vặn vít vừa với đầu vít.
- Để tháo phần lắp đầu gài phổ thông (18) hãy đẩy vòng Khóa ra phía sau và tháo phần lắp đầu gài phổ thông ra khỏi phần lắp dụng cụ.

Lắp phần lắp đầu gài phổ thông có trục hình trụ hoặc trục lục giác

- Lắp phần lắp đầu gài phổ thông có trục hình trụ hoặc trục lục giác (19). Tiến hành tương tự như khi lắp dụng cụ gài (xem „Tháo phụ tùng (xem hình C1)“, Trang 60).
- Kiểm tra hiệu quả khóa bằng cách kéo thử phần lắp đầu gài phổ thông ra (19).

- Lắp đầu gài vặn vít vào trong phần lắp đầu gài phổ thông (19). Chỉ sử dụng đầu gài vặn vít vừa với đầu vít.
- Để tháo phần lắp đầu gài mũi khoan phổ thông (19), hãy tiến hành như khi tháo công cụ gài (xem „Tháo phụ tùng (xem hình C2)“, Trang 60).

Gắn thiết bị chống rơi (xem Hình G)

Hướng dẫn: Để cố định dụng cụ điện khỏi rơi, cần sử dụng một thiết bị chống rơi phù hợp với trọng lượng hệ thống (21). Chiều dài tối đa cho phép của thiết bị chống rơi là 1,8 m. Cần lưu ý vùng gắn được phups (20) trên dụng cụ điện.

Tốt nhất nên sử dụng vòng đai được gắn bằng nút neo để làm thiết bị chống rơi hoặc dùng thiết bị chống rơi với đệm.

Cần tuân thủ hướng dẫn điều khiển khi gắn thiết bị chống rơi (21).

- ▶ **Cần gắn mặt đối diện của thiết bị chống rơi vào một cấu trúc ổn định (ví dụ tòa nhà hoặc giàn giáo) và không tự gắn vào người dùng. Thiết bị chống rơi phải di chuyển tự do và chỉ được phép gắn vào điểm gắn cố định (22) và trong vùng gắn được phép (20) trên dụng cụ điện.**

Chọn một điểm gắn cố định(22) sao cho dụng cụ điện có thể rơi vào thiết bị chống rơi khi rơi mà không quán hay gây nguy hiểm cho người dùng.

Không sử dụng thiết bị chống rơi trên dụng cụ điện với hệ thống hút bụi đã gắn .

Bảo Dưỡng và Bảo Quản

Bảo Dưỡng Và Làm Sạch

- ▶ **Trước khi tiến hành bất cứ công việc gì với máy (ví dụ: bảo dưỡng, thay dụng cụ v.v.) tháo pin ra khỏi dụng cụ điện.** Có nguy cơ gây thương tích khi vô tình làm kích hoạt công tắc bật/tắt.
- ▶ **Để được an toàn và máy hoạt động đúng chức năng, luôn luôn giữ máy và các khe thông gió được sạch.**
- ▶ **Thay chụp ngăn bụi bị hỏng ngay lập tức. Chúng tôi khuyến nghị việc thay thế này do một đại lý phục vụ hậu mãi thực hiện.**
- Hãy làm sạch phần lắp dụng cụ sau khi dùng.

Dịch vụ hỗ trợ khách hàng và tư vấn sử dụng

Bộ phận phục vụ hàng sau khi bán của chúng tôi trả lời các câu hỏi liên quan đến việc bảo dưỡng và sửa chữa các sản phẩm cũng như phụ tùng thay thế của bạn. Sơ đồ mô tả và thông tin về phụ tùng thay thế cũng có thể tra cứu theo dưới đây:

www.bosch-pt.com

Đội ngũ tư vấn sử dụng của Bosch sẽ giúp bạn giải đáp các thắc mắc về sản phẩm và phụ kiện.

Trong tất cả các phản hồi và đơn đặt phụ tùng, xin vui lòng luôn luôn nhập số hàng hóa 10 chữ số theo nhãn của hàng hóa.

Việt Nam

CN CÔNG TY TNHH BOSCH VIỆT NAM TẠI
TP.HCM

Tầng 14, Ngôi Nhà Đức, 33 Lê Duẩn
Phường Bến Nghé, Quận 1, Thành Phố Hồ Chí
Minh

Tel.: (028) 6258 3690

Fax: (028) 6258 3692 - 6258 3694

Hotline: 1900 9988 50

Email: tuvankhachhang-pt@vn.bosch.com

www.bosch-pt.com.vn

Xem thêm địa chỉ dịch vụ tại:

www.bosch-pt.com/serviceaddresses

Vận chuyển

Pin Li-Ion được khuyến nghị là đối tượng phải tuân theo các qui định của Pháp Luật về Hàng Hóa Nguy Hiểm. Người sử dụng có thể vận chuyển pin hợp khối bằng đường bộ mà không cần thêm yêu cầu nào khác.

Khi được vận chuyển thông qua bên thứ ba (vd. vận chuyển bằng đường hàng không hay đại lý giao nhận), phải tuân theo các yêu cầu đặc biệt về đóng gói và dán nhãn. Phải tham vấn chuyên gia về hàng hóa nguy hiểm khi chuẩn bị gói hàng.

Chỉ gửi pin hợp khối khi vỏ ngoài không bị hư hỏng. Dán băng keo hay che kín các điểm tiếp xúc hở và đóng gói pin hợp khối theo cách sao cho pin không thể xê dịch khi nằm trong bao bì. Ngoài ra, xin vui lòng chấp hành các qui định chi tiết có thể được bổ sung thêm của quốc gia.

Sự thải bỏ



Dụng cụ điện, pin, phụ kiện và bao bì cần được tái sử dụng theo quy định về môi trường.



Bạn không được ném dụng cụ điện và pin vào thùng rác gia đình!

Pin/ắc quy:

Li-Ion:

Tuân thủ những hướng dẫn trong phần vận chuyển (xem „Vận chuyển“, Trang 63).

مخصص للاستعمال الخارجي من خطر الصدمات الكهربائية.

إن لم يكن بالإمكان تجنب تشغيل العدة الكهربائية في الأجواء الرطبة، فاستخدم مفتاح للوقاية من التيار المتخلف. إن استخدام مفتاح للوقاية من التيار المتخلف يقلل خطر الصدمات الكهربائية.

أمان الأشخاص

كن يقظا وانتبه إلى ما تفعله واستخدم العدة الكهربائية بتعقل. لا تستخدم عدة كهربائية عندما تكون متعبا أو عندما تكون تحت تأثير المخدرات أو الكحول أو الأدوية. عدم الانتباه للحظة واحدة عند استخدام العدة الكهربائية قد يؤدي إلى إصابات خطيرة.

قم لارتداء تجهيزات الحماية الشخصية. وارتد دائما نظارات واقية. يحد ارتداء تجهيزات الحماية الشخصية، كقناع الوقاية من الغبار وأحذية الأمان الواقية من الانزلاق والوذو أو واقية الأذنين، حسب ظروف استعمال العدة الكهربائية، من خطر الإصابة بجروح.

تجنب التشغيل بشكل غير مقصود. تأكد من كون العدة الكهربائية مطفأة قبل توصيلها بالتيار الكهربائي و/أو بالمركب، وقبل رفعها أو حملها. إن كنت تضع إصبعك على المفتاح أثناء حمل العدة الكهربائية أو إن وصلت الجهاز بالشبكة الكهربائية بينما لا مفتاح على وضع التشغيل، قد يؤدي إلى وقوع الحوادث.

انزع أداة الضبط أو مفتاح الربط قبل تشغيل العدة الكهربائية. قد تؤدي الأداة أو المفتاح المتواجد في جزء دوار من الجهاز إلى الإصابة بجروح.

تجنب أوضاع الجسم غير الطبيعية. قف بأمان وحافظ على توازنك دائما. سيسمح لك ذلك بالتمكّن في الجهاز بشكل أفضل في الموافف الغير متوقعة.

قم بارتداء ثياب مناسبة. لا ترتد الثياب الفضفاضة أو الحلى. احرص على إبقاء الشعر والملابس بعيدا عن الأجزاء المتحركة. قد تشابك الثياب الفضفاضة والحلى والشعر الطويل بالأجزاء المتحركة.

إن جاز تركيب تجهيزات شفت وتجميع الغبار، فتأكد من أنها موصولة وبأنه يتم استخدامها بشكل سليم. قد يقلل استخدام تجهيزات لشفت الغبار من المخاطر الناتجة عن الغبار.

لا تستخدم العدة الكهربائية بلا مبالاة وتتجاهل قواعد الأمان الخاصة بها نتيجة لتعودك على استخدام العدة الكهربائية وكثرة استخدامها. فقد يتسبب الاستخدام دون حرص في حدوث إصابة بالغة تحدث في أجزاء من الثانية.

حسن معاملة واستخدام العدد الكهربائية لا تفرط بتحميل الجهاز. استخدم لتنفيذ أشغالك العدة الكهربائية المخصصة لذلك. إنك تعمل بشكل أفضل وأكثر أمانا بواسطة العدة الكهربائية الملائمة في مجال الأداء المذكور.

لا تستخدم العدة الكهربائية إن كان مفتاح تشغيلها تالف. العدة الكهربائية التي لم يعد من

عربي

إرشادات الأمان

الإرشادات العامة للأمان بالعدد الكهربائية

تحذير اطلع على كافة تحذيرات الأمان والتعليمات والصور والمواصفات المرفقة بالعدة الكهربائية. عدم اتباع التعليمات الواردة أدناه قد يؤدي إلى حدوث صدمة كهربائية، إلى نشوب حريق و/أو الإصابة بجروح خطيرة.

احتفظ بجميع الملاحظات التحذيرية والتعليمات للمستقبل.

يقصد بمصطلح «العدة الكهربائية» المستخدم في الملاحظات التحذيرية، العدد الكهربائية الموصولة بالشبكة الكهربائية (بواسطة كابل الشبكة الكهربائية) وأيضاً العدد الكهربائية المزودة بمركب (دون كابل الشبكة الكهربائية).

الأمان بمكان الشغل

حافظ على نظافة مكان شغلك وإضاءته بشكل جيد. الفوضى في مكان الشغل ونطاقات العمل غير المضاة قد تؤدي إلى وقوع الحوادث.

لا تشتغل بالعدة الكهربائية في نطاق معرض لخطر الانفجار مثل الأماكن التي تتوفر فيه السوائل أو الغازات أو الأبخرة القابلة للاشتعال. العدد الكهربائية تولد شررا قد يتطاير، فيشعل الأبخرة والأبخرة.

حافظ على بقاء الأطفال وغيرهم من الأشخاص بعيدا عندما تستعمل العدة الكهربائية. تشتيت الانتباه قد يتسبب في فقدان السيطرة على الجهاز.

الأمان الكهربائي

يجب أن يتلائم قابس العدة الكهربائية مع المقبس. لا يجوز تغيير القابس بأي حال من الأحوال. لا تستعمل القوايس المهينة مع العدد الكهربائية المؤرّضة (ذات طرف أرضي). تخفّض القوايس التي لم يتم تغييرها والمقابس الملائمة من خطر الصدمات الكهربائية.

تجنب ملامسة جسمك للأسطح المؤرّضة كالأنابيب والمبردات والمواقد أو التلّاجات. يزداد خطر الصدمات الكهربائية عندما يكون جسمك مؤرّض أو موصل بالأرضي.

أبعد العدة الكهربائية عن الأمطار أو الرطوبة. يزداد خطر الصدمات الكهربائية إن تسرب الماء إلى داخل العدة الكهربائية.

لا تسيّ استعمال الكابل. لا تستخدم الكابل في حمل العدة الكهربائية أو سحبها أو سحب القابس من المقبس. احرص على إبعاد الكابل عن الحرارة والزيت والحواف الحادة أو الأجزاء المتحركة. تزيد الكابلات التالفة أو المتشابكة من خطر الصدمات الكهربائية.

عند استخدام العدة الكهربائية خارج المنزل اقتصر على استخدام كابلات التمديد الصالحة للاستعمال الخارجي. يقلل استعمال كابل تمديد

ذلك. قد يؤدي سائل المركم المتسرب إلى تهيج البشرة أو إلى الاحتراق.

- ◀ لا تستخدم عدة أو مركم تعرضاً لأضرار أو للتعديل. البطاريات المتعرضة لأضرار أو لتعديلات قد ينتج عنها أشياء لا يمكن التنبؤ بها، قد تسبب نشوب حريق أو حدوث انفجار أو إصابات.
- ◀ لا تعرض المركم أو العدة للهب أو لدرجة حرارة زائدة. التعرض للهب أو لدرجة حرارة أعلى من 130 °م قد يتسبب في انفجار.
- ◀ اتبع تعليمات الشحن ولا تقم بشحن المركم أو العدة خارج نطاق درجة الحرارة المحدد في التعليمات. الشحن بشكل غير صحيح أو في درجات حرارة خارج النطاق المحدد قد يعرض المركم لأضرار ويزيد من مخاطر الحريق.

الخدمة

- ◀ احرص على إصلاح عدتك الكهربائية فقط بواسطة العمال المتخصصين وباستعمال قطع الغيار الأصلية فقط. يضمن ذلك المحافظة على أمان الجهاز.
- ◀ لا تقم بإجراء أعمال خدمة على المراكم التالفة. أعمال الخدمة على المراكم يجب أن تقوم بها الجهة الصانعة فقط أو مقدم الخدمة المعتمد.

إرشادات الأمان للمطارق

تعليمات الأمان لكافة التطبيقات

- ◀ احرص على ارتداء واقيات للأذنين. التعرض للضوضاء قد يتسبب في فقدان السمع.
- ◀ استخدم المقبض (المقابض) الإضافية إذا كانت العدة مزودة بها. فقدان السيطرة على المعدة قد يتسبب في حدوث إصابات.
- ◀ أمسك العدة الكهربائية من أسطح المسك المعزولة عند القيام بأعمال قد يترتب عليها ملامسة ملحق القطع أو أداة الربط لأسلاك كهربائية غير ظاهرة. ملامسة ملحق القطع وأدوات الربط لسلك «مكهرب» قد يتسبب في مرور التيار في الأجزاء المعدنية من العدة وجعلها مكهربة مما قد يصيب المشغل بصدمة كهربائية.

تعليمات الأمان عند استخدام ريش ثقب طويلة مع مطارق دوارة

- ◀ احرص دائماً على بدء الثقب بسرعة منخفضة بحيث تكون رأس الريشة ملامسة لقطعة الشغل. فعلى السرعات العالية ستكون الريشة معرضة للثني في حالة دورانها بشكل حر دون لمس قطعة الشغل، مما قد يؤدي لوقوع إصابات.
- ◀ لا تضغط إلا على خط واحد مع الريشة، ولا تضغط بشكل زائد. فقد تنتهي الريش، وتعرض للكسر أو تسبب فقدان السيطرة، مما يؤدي لوقوع إصابات.

إرشادات الأمان الإضافية

- ◀ استخدم أجهزة تنقيب ملائمة للعثور على خطوط الامداد غير الظاهرة، أو استعن بشركة الامداد المحلية. ملامسة الخطوط الكهربائية قد تؤدي إلى اندلاع النار وإلى الصدمات الكهربائية. حدوث أضرار بخرط الغاز قد يؤدي إلى حدوث

الممكن التحكم بها عن طريق مفتاح التشغيل والإطفاء تعتبر خطيرة ويجب أن يتم إصلاحها.

- ◀ اسحب القابس من المقبس و/أو اخلع المركم، إذا كان قابلاً للخلع، قبل ضبط الجهاز وقبل استبدال الملحقات أو قبل تخزين الجهاز. تمنع هذه الإجراءات وقائية تشغيل العدة الكهربائية بشكل غير مقصود.
- ◀ احتفظ بالعدد الكهربائية التي لا يتم استخدامها بعيداً عن متناول الأطفال. لا تسمح باستخدام العدة الكهربائية لمن لا خبرة له بها أو لمن لم يقرأ تلك التعليمات. العدد الكهربائية خطيرة إن تم استخدامها من قبل أشخاص دون خبرة.

- ◀ اعتن بالعدة الكهربائية والملحقات بشكل جيد. تأكد أن أجزاء الجهاز المتحركة مركبة بشكل سليم وغير مستعصية عن الحركة، وتفحص ما إن كانت هناك أجزاء مكسورة أو في حالة تؤثر على سلامة أداء العدة الكهربائية. ينبغي إصلاح هذه الأجزاء التالفة قبل إعادة تشغيل الجهاز. الكثير من الحوادث مصدرها العدد الكهربائية التي تتم صيانتها بشكل ردي.

- ◀ احرص على إبقاء عدد القطع نظيفة وحادة. إن عدد القطع ذات حواف القطع المادة التي تم صيانتها بعناية تتكلم بشكل أقل ويمكن توجيهها بشكل أيسر.

- ◀ استخدم العدد الكهربائية والتوابع وريش الشغل إلخ. وفقاً لهذه التعليمات. تراعى أثناء ذلك ظروف الشغل والعمل المراد تنفيذه. استخدام العدد الكهربائية لغبر الأشغال المخصصة لأجلها قد يؤدي إلى حدوث الحلات الخطيرة.
- ◀ احرص على إبقاء المقابض وأسطح المسك جافة ونظيفة وخالية من الزيوت والشحوم. المقابض وأسطح المسك الزلقة لا تتبع التشغيل والتحكم الأمان في العدة في المواقف غير المتوقعة.

- ◀ حسن معاملة واستخدام العدد المزودة بمركم اشحن المراكم فقط في أجهزة الشحن التي يُصنع باستخدامها من طرف المنتج. قد يتسبب جهاز الشحن المخصصة لنوع معين من المراكم في خطر الحريق إن تم استخدامه مع نوع آخر من المراكم.

- ◀ استخدم العدد الكهربائية فقط مع المراكم المصممة لهذا الغرض. قد يؤدي استخدام المراكم الأخرى إلى إصابات وإلى خطر نشوب الحرائق.

- ◀ حافظ على إبعاد المركم الذي لا يتم استعماله عن مشابك الورق وقطع النقود المعدنية والمفاتيح والمسامير واللواكب أو غيرها من الأغراض المعدنية الصغيرة التي قد تقوم بتوصيل الملامسين ببعضهما البعض. قد يؤدي تقصير الدارة الكهربائية بين ملامسي المركم إلى الاحتراق أو إلى اندلاع النار.
- ◀ قد يتسرب السائل من المركم في حالة سوء الاستعمال. تجنب ملامسته. اشطفه بالماء في حال ملامسته بشكل غير مقصود. إن وصل السائل إلى العينين، فراجع الطبيب إضافة إلى

- ◀ لا توجه العدة الكهربائية إلى الأشخاص بجوارك أثناء التشغيل. فقد تتطاير عدة الشغل وتتسبب في إصابات بالغة.
- ◀ احرص دائماً على ارتداء خوذة السلامة ونظارات حماية أو واقي للوجه. النظارات العادية أو النظارات الشمسية العادية ليست نظارات حماية.
- ◀ افحص عدة الشغل قبل التشغيل من حيث الثبات الجيد والأمن.
- ◀ احرص دائماً على أن تكون في وضعية ثابتة. تأكد من عدم وجود أي أشخاص تمتك في حالة استخدامك للعدة الكهربائية في مكان تشغيل مرتفع، كسلم على سبيل المثال.
- ◀ لا تفتح ظرف ريش الثقب أو تغلقه من خلال تشغيل العدة الكهربائية. فقد يتم قذف ريشة الثقب إلى الخارج، مما يشكل خطر إصابة.
- ◀ أمسك العدة الكهربائية جيداً بكلتا يديك عند العمل، وحرصاً على أن تكون في وضعية ثابتة. يتم توجيه العدة الكهربائية بأمان بواسطة اليدين الاثنتين.

وصف المنتج والأداء

اقرأ جميع إرشادات الأمان والتعليمات. ارتكاب الأخطاء عند تطبيق إرشادات الأمان والتعليمات، قد يؤدي إلى حدوث صدمات الكهربائية أو إلى نشوب الحرائق و/أو الإصابة بجروح خطيرة.



يرجى الرجوع إلى الصور الموجودة في الجزء الأول من دليل التشغيل.

الاستعمال المخصص

المعدة الكهربائية مخصصة للثقب المرفق بالطرق في الخرسانة والطوب والحجر. كما أنها صالحة للثقب بلا دق في الخشب والمعادن والخزف والبلاستيك. وتصلح العدد الكهربائية المزودة بتحكم إلكتروني وإمكانية الدوران اليميني/اليساري لربط اللوالب أيضاً.

الأجزاء المصورة

يشير ترقيم الأجزاء المصورة إلى الصورة المعروضة للعدة الكهربائية في صفحة الرسوم.

- (1) ظرف ريش الثقب ONECHUCK
- (2) حاضن العدة ONECHUCK
- (3) غطاء الوقاية من الغبار
- (4) الجلبة الأمامية
- (5) الجلبة الخلفية
- (6) كاتم الاهتزازات
- (7) زر فك إقفال المرمك^(a)
- (8) مفتاح تحويل اتجاه الدوران
- (9) مقبض (سطح قبض معزول)
- (10) مفتاح التشغيل والإطفاء المرمك^(a)
- (11) زر تمرير مفتاح إيقاف الطرق/الدوران

انفجارات. اختراق خط الماء يتسبب في وقوع أضرار مادية.

◀ انتظر إلى أن تتوقف العدة الكهربائية عن الحركة قبل أن تضعها جانباً. قد تتكلم عدة الشغل فتؤدي إلى فقدان السيطرة على العدة الكهربائية.

◀ احرص على تأمين قطعة الشغل. قطعة الشغل المثبتة بواسطة تجهيزة شد أو بواسطة الملزمة مثبتة بأمان أكبر مما لو تم الإمساك بها بواسطة يدك.

◀ قد تنطلق أبخرة عند تلف المرمك واستخدامه بطريقة غير ملائمة. يمكن أن يحترق المرمك أو يتعرض للانفجار. أمن توفير الهواء النقي وراجع الطبيب إن شعرت بشكوى. قد تهيج هذه الأبخرة المجاري التنفسية.

◀ لا تقم بتعديل المرمك أو فتحه. يتشكل خطر حدوث قفلة كهربائية.

◀ يمكن أن يتعرض المرمك لأضرار من خلال الأشياء المعدنية مثل المسامير والمفكات أو من خلال تأثير القوى الخارجية. وقد يؤدي هذا إلى تقصير الدائرة الكهربائية الداخلية واحترق المرمك أو خروج الأذخنة منه أو انفجاره وتعرضه لسخونة مفرطة.

◀ اقتصر على استخدام المرمك في منتجات الجهة الصانعة. يتم حماية المرمك من فرط التحميل الخطير بهذه الطريقة فقط دون غيرها.

احرص على حماية المرمك من الحرارة، بما ذلك التعرض لأشعة الشمس باستمرار ومن النار والانساخ والماء والرطوبة. حيث ينشأ خطر الانفجار وخطر حدوث دائرة قصر.



◀ لا تقم بلمس أدوات الشغل أو أجزاء جسم الجهاز الملائقة لها بعد التشغيل مباشرة. فقد تتعرض هذه الأجزاء للسخونة أثناء التشغيل، مما يعرضك للاحتراق في حالة لمسها.

◀ قد تتعرض أداة الشغل للإعاقة أثناء عملية الثقب. احرص على أن تكون في وضعية ثابتة، وأمسك الجهاز جيداً بكلتا يديك. وإلا فقد تفقد السيطرة على العدة الكهربائية.

◀ لا توجه العدة الكهربائية إلى الأشخاص بجوارك أثناء التشغيل. فقد تتطاير عدة الشغل وتتسبب في إصابات بالغة.

◀ احرص دائماً على ارتداء خوذة السلامة ونظارات حماية أو واقي للوجه. النظارات العادية أو النظارات الشمسية العادية ليست نظارات حماية.

◀ افحص عدة الشغل قبل التشغيل من حيث الثبات الجيد والأمن.

◀ احرص دائماً على أن تكون في وضعية ثابتة. تأكد من عدم وجود أي أشخاص تمتك في حالة استخدامك للعدة الكهربائية في مكان تشغيل مرتفع، كسلم على سبيل المثال.

◀ لا تفتح ظرف ريش الثقب أو تغلقه من خلال تشغيل العدة الكهربائية. فقد يتم قذف ريشة الثقب إلى الخارج، مما يشكل خطر إصابة.

مطرقة ثقب عاملة بمركم

GBH 18V-18 X	أجهزة الشحن الموصى بها
GAL 18...	
GAX 18...	
GAL 36...	

(A) مقاسة عند درجة حرارة 20-25 °م مع مركم
GBA 18V 4.0Ah

(B) حسب المركم المستخدم

(C) قدرة محدودة في درجات الحرارة > 0 °م

تم تحديد البيانات الفنية من المركم المرفق بإطار التسليم.
قد تختلف القيم حسب المنتج وظروف الاستخدام والبيئة. المزيد من
المعلومات على موقع الإنترنت
www.bosch-professional.com/wac

مركم

تبيع شركة **Bosch** العدد الكهربائي العاملة بمركم دون مركم أيضًا. يمكنك أن تعرف من العبوة ما إذا كان المركم موجود ضمن مجموعة التجهيزات الموردة مع العدد الكهربائي الخاصة بك.

شحن المركم

◀ **اقتصر على استخدام أجهزة الشحن المذكورة في المواصفات الفنية.** أجهزة الشحن هذه دون غيرها هي المتوائمة مع مركم أيونات الليثيوم المستخدم في عدتك الكهربائية.

ملموطة: يتم تسليم مراكم أيونات الليثيوم مشحونة جزئيًا وفقًا للوائح النقل الدولية. لضمان قدرة أداء المركم الكاملة، يتوجب شحن المركم بشكل كامل قبل الاستعمال لأول مرة.

تركيب المركم

أدخل المركم المشحون في موضع تثبيت المركم إلى أن يثبت بشكل ملموس.

نزع المركم



لخلع المركم اضغط على زر تحرير المركم وأخرج المركم. **لا تستخدم القوة أثناء ذلك.**

يمتاز المركم بدرجتي إقفال اثنتين، تمنعان سقوط المركم للخارج في حال ضغط زر فك إقفال المركم بشكل غير مقصود. يتم تثبيت المركم بواسطة نابض ما دام مركبًا في العدد الكهربائي.

مبين حالة شحن المركم

ملموطة: ليست كل أنواع المراكم تحتوي على مابين حالة شحن.

تشير مصابيح الدايمود الخضراء الخاصة بمبين حالة شحن المركم لحالة شحن المركم. لأسباب تتعلق بالسلامة فإنه لا يمكن الاستعلام عن حالة الشحن إلا والعدة الكهربائية متوقفة.

اضغط على زر مابين حالة الشحن  أو  لعرض حالة الشحن. يمكن هذا أيضًا والمركم مخرج.

إذا لم يضيء أي مصباح دايمود بعد الضغط على زر مابين حالة الشحن، فهذا يعني أن المركم تالف ويجب تغييره.

(13) مفتاح إيقاف الطرق/الدوران

(14) ضوء العمل

(15) زر ضبط محدد العمق

(16) مقبض إضافي (سطح قبض معزول)

(17) محدد العمق

(18) حامل لقم شامل مع ساق حضن SDS plus^(a)

(19) حامل لقم شامل مع ساق أسطواني أو ساق سداسية^(a)

(20) نطاق تثبيت وسيلة التأمين ضد السقوط في العدة الكهربائية

(21) وسيلة التأمين ضد السقوط^(b)

(22) نقطة ارتكاز ثابتة لوسيلة التأمين ضد السقوط^(b)

(a) إن هذه التوابع ليست محتواة ضمن إطار التوريد الاعتيادي.

(b) لا يتضمن إطار التوريد القياسي ولا برنامج توابع Bosch هذه التوابع.

البيانات الفنية

مطرقة ثقب عاملة بمركم

GBH 18V-18 X	رقم الصنف	3 611 J27 1..
18	الجهد الاسمي	فلط=
900	عدد اللفات الاسمي ^(A)	لفة/ دقيقة
5000	عدد الطرقات ^(A)	min ⁻¹
SDS plus - أسطواني مسدس الموافق	حاضن العدة	
10-6	نطاق شد ظرف ريش الثقب، سيقان أسطوانية	مم
	أقصى قطر ثقب	
18	- الخرسانة	مم
10	- فولاذ	مم
18	- خشب	مم
1,5) 2,2 كجم 3,2- أمبير ساعة) كجم (12,0 أمبير ساعة)	الوزن ^(B)	كجم
35+ ... 0	درجة الحرارة المحيطة الموصى بها عند الشحن	°م
50+ ... 20-	درجة الحرارة الخارجية المسموح بها عند التشغيل ^(C) وعند التخزين	°م
GBA 18V... ProCORE18V...	المراكم المتوافقة	

- أدر قطعة المقبض السفلية بالمقبض الإضافي (16) عكس اتجاه عقارب الساعة وحرك المقبض الإضافي (16) إلى الوضع المرغوب. أدر قطعة القبض السفلية بالمقبض الإضافي (16) بعد ذلك في اتجاه حركة عقارب الساعة بإحكام. انتبه إلى دخول سير شد المقبض الإضافي في الحز المخصص له بالهيكل.

استبدال العدد

مع ظرف ريش الثقب ONECHUCK يمكنك استخدام عدد الشغل SDS plus وعدد الشغل سداسية المقطع والأسطوانية بكل سهولة وراحة دون استخدام عدد إضافية أو تغيير ظرف ريش الثقب.



يعمل غطاء الوقاية من الغبار (3) على منع دخول غبار الثقب إلى حاضن العدة أثناء الاستخدام. احرص أثناء استخدام العدة الكهربائية على عدم حدوث أضرار بغطاء الوقاية من الغبار (3).

◀ يجب تغيير غطاء الوقاية من الغبار التالف على الفور. وينصح أن يتم ذلك من قبل مركز خدمة العملاء.

استبدال العدد (SDS plus)

تركيب عدة الشغل SDS plus (انظر الصور B1-B2)

- أمسك الجلبة الخلفية (5) لظرف ريش الثقب بإحدى يديك بإحكام. باستخدام اليد الأخرى افتح حاضن العدة من خلال إدارة الجلبة الأمامية (4) بشكل تام.
- قم بتنظيف طرف إدخال عدة الشغل SDS plus و قم بتشميمه قليلاً.
- قم بتركيب عدة الشغل SDS plus في حاضن العدة أثناء إدارتها إلى أن تتعاشق من تلقاء نفسها.
- افحص ثبات الإقفال من خلال جذب العدة. تكون عدة الشغل SDS plus حرة الحركة وفقاً لتصميم النظام. مما يؤدي إلى انحراف دوراني عند التشغيل بلا حمل. لا يؤثر ذلك على دقة الثقب، لأن لقمة الثقب تركز من تلقاء نفسها أثناء الثقب.

فك عدة الشغل SDS plus (انظر الصورة B3)

- حرك الجلبة الخلفية (5) إلى الخلف وأخرج عدة الشغل SDS plus.

تغيير عدة الشغل (ساق أسطوانية، مقطع سداسي)

تركيب عدة الشغل (انظر الصورة C1)

إرشاد: لا تستخدم عدد الشغل SDS plus في أعمال التثقيب المرفق بالطرق! ستعرض كل من العدد دون خاصية SDS plus وظرف ريش الثقب الخاص بها لأضرار أثناء التثقيب المرفق بالطرق. ملحوظة: لا تستخدم العدد ذات الساق الأسطوانية أو الساق سداسية المقطع إلا مع طريقة تشغيل الثقب.

◀ لا تغلق ظرف ريش الثقب من خلال تشغيل العدة الكهربائية، فقد يتم قذف ريشة الثقب إلى الخارج، مما يشكل خطر إصابة.

نوع المرمك GBA 18V...



السعة	لمبة LED
100-60 %	ضوء مستمر 3× أخضر
60-30 %	ضوء مستمر 2× أخضر
30-5 %	ضوء مستمر 1× أخضر
5-0 %	ضوء وماض 1× أخضر

نوع المرمك ProCORE18V...



السعة	لمبة LED
100-80 %	ضوء مستمر 5× أخضر
80-60 %	ضوء مستمر 4× أخضر
60-40 %	ضوء مستمر 3× أخضر
40-20 %	ضوء مستمر 2× أخضر
20-5 %	ضوء مستمر 1× أخضر
5-0 %	ضوء وماض 1× أخضر

ملاحظات للتعامل مع المرمك بطريقة مثالية

قم بحماية المرمك من الرطوبة والماء. لا تقم بتخزين المرمك إلا في نطاق درجة حرارة يقع بين 20-°م وحتى 50°م. لا تترك المرمك في السيارة في فصل الصيف مثلاً. نظف فتحات التهوية بالمرمك من فترة لأخرى، بواسطة فرشاة طرية ونظيفة وجافة. إذا انخفضت فترة التشغيل بعد الشمن بدرجة كبيرة فهذا يعني أن المرمك قد استهلك وأنه يجب استبداله. تراعى الإرشادات عند التخلص من العدد.

التركيب

◀ أخرج المرمك من العدة الكهربائية قبل إجراء أي أعمال على العدة الكهربائية (على سبيل المثال الصيانة، واستبدال العدد، وما شابه). هناك خطر إصابة بجروح في حالة الضغط على مفتاح التشغيل والإطفاء بشكل غير مقصود.

مقبض إضافي

◀ استخدم العدة الكهربائية فقط مع المقبض الإضافي (16).

◀ تأكد دائماً أن المقبض الإضافي مربوط بإحكام. وإلا فقد تفقد السيطرة على العدة الكهربائية في أي وقت أثناء العمل.

تحريك المقبض الإضافي (انظر الصورة A)

يمكنك تحريك المقبض الإضافي (16) كما تريد للوصول إلى وضع عمل آمن ومريح.

- اضغط على زر التمرير (12) لتغيير نوع التشغيل وأدر مفتاح إيقاف الدق/إيقاف الدوران (13) إلى الوضع المرغوب إلى أن يتعاشق بصوت مسموع.

إرشاد: قم بتغيير نوع التشغيل فقط عندما تكون العدة الكهربائية مطفأة. وإلا، فقد يتم إتلاف العدة الكهربائية.

وضع الثقب المرفق بالطرق في
الخرسانة والمجر



وضع الثقب دون طرق في الخشب
والمعادن والخزف واللدائن وأيضا لغرض
ربط اللوالب



ضبط اتجاه الدوران (انظر الصورة D)

يمكنك أن تغير اتجاه دوران العدة الكهربائية (8) بواسطة مفتاح تغيير اتجاه الدوران. إلا أنه لا يمكن تغييره عندما يكون مفتاح التشغيل والإطفاء (10) مضغوطة.

◀ لا تضغط على مفتاح تحويل اتجاه الدوران (8) إلا والعدة الكهربائية متوقفة.

اضبط اتجاه الدوران دائما على الدوران اليميني من أجل التثقيب المرفق بالطرق والتثقيب.

- دوران يميني: للتثقب ولربط اللوالب، اضغط على مفتاح تحويل اتجاه الدوران (8) إلى اليسار حتى النهاية.

- دوران إلى اليسار: لحل أو فك اللوالب والصواميل اضغط مفتاح تغيير اتجاه الدوران (8) إلى اليمين حتى المصد.

ملحوظة: عند ضبط مفتاح تحويل اتجاه الدوران في الوضع الأوسط تتم إعاقة حركة مفتاح التشغيل والإطفاء.

التشغيل والإطفاء

- لغرض تشغيل العدة الكهربائية اضغط على مفتاح التشغيل والإطفاء (10).

يضيء مصباح العمل (14) عند الضغط على مفتاح التشغيل والإطفاء (10) بشكل جزئي أو كامل ويسمع بإضاءة مكان الشغل إن كانت ظروف الإضاءة غير ملائمة.

- لغرض إطفاء العدة الكهربائية اترك مفتاح التشغيل والإطفاء (10).

لا تتوصل العدة الكهربائية إلى قدرة الطرق/قدرة الدق الكاملة عندما تكون درجات الحرارة منخفضة إلا بعد فترة زمنية معينة.

ضبط عدد اللفات/عدد الطرقات

يمكنك أن تتحكم بعدد اللفات/عدد الطرقات بالعدة الكهربائية قيد التشغيل دون تدريج، حسب مدى الضغط على مفتاح التشغيل والإطفاء (10).

يؤدي الضغط الخفيف على مفتاح التشغيل والإطفاء (10) إلى عدد لفات/طرقات منخفض. ويرتفع عدد اللفات/الطرقات بزيادة الضغط.

ملحوظة: اقتصر على استخدام عدد الشغل ذات الساق الأسطوانية أو الساق السداسية بقطر ساق يتراوح بين 6 حتى 10 مم.

- أدر مفتاح إيقاف الطرق/إيقاف الدوران (13) إلى وضع «الثقب».

- أمسك الجلبة الخلفية (5) لظرف ريش الثقب بإحدى يديك بإحكام. باستخدام اليد الأخرى افتح حاضن العدة بإدارة الجلبة الأمامية (4) إلى الحد الذي يسمح بتركيب عدة الشغل.

- قم بتركيب عدة الشغل الأسطوانية أو السداسية في ظرف ريش الثقب.

- أمسك الجلبة الخلفية (5) بإحكام بإحدى اليدين وأدر الجلبة الأمامية (4) باليد الأخرى في اتجاه السهم بقوة إلى حد سماع صوت التعاشق بوضوح.

- تفحص إحكام الثبات من خلال سحب العدة. لا تقم بتركيب عدة الشغل إلا والعدة الكهربائية مطفأة.

فك عدة الشغل (انظر الصورة C2)

- أمسك الجلبة الخلفية (5) لظرف ريش الثقب بإحدى يديك بإحكام. باستخدام اليد الأخرى افتح حاضن العدة بإدارة الجلبة الأمامية (4) في اتجاه السهم إلى أن يمكن إخراج عدة الشغل.

- أخرج عدة الشغل.

◀ لا تفتح ظرف ريش الثقب من خلال تشغيل العدة الكهربائية. فقد يتم قذف ريشة الثقب إلى الخارج، مما يشكل خطر إصابة.

شفط الغبار/النشارة

إن غبار بعض المواد كالطلاء الذي يحتوي على الرصاص، وبعض أنواع الخشب والفلزات والمعادن، قد تكون مضرّة بالصحة. إن ملامسة أو استنشاق غبار قد يؤدي إلى أعراض حساسية و/أو إلى أمراض الجهاز التنفسي لدى المستخدم أو لدى الأشخاص المتواجدين على مقربة من المكان.

تعتبر بعض الأغبرة المعينة، كأغبرة البلوط والزان، مسببة للسرطان، ولا سيما عند الارتباط بالمواد الإضافية لمعالجة الخشب (ملع جامض الكروميك، المواد الحافظة للخشب). يجوز أن يتم معالجة المواد التي تحتوي على الأسبستوس من قبل العمال المتخصصين فقط دون غيرهم.

- استخدم شفاطة غبار ملائمة للمادة قدر الإمكان.

- حافظ على تهوية مكان الشغل بشكل جيد.

- ينصح بارتداء قناع وقاية للتنفس بفئة المرشح P2.

تراجع الأحكام السارية في بلدكم بالنسبة للمواد المرغوب معالجتها.

◀ تجنب تراكم الغبار بمكان العمل. يجوز أن تشتعل الأغبرة بسهولة.

التشغيل

بدء التشغيل

ضبط نوع التشغيل

اختر باستخدام مفتاح إيقاف الطرق/الدوران (13) نوع تشغيل العدة الكهربائية.

إرشادات العمل

ضبط عمق الثقب (انظر الصورة E)

باستخدام محدد العمق (17) يمكن تحديد عمق الثقب المرغوب X.

اضغط على الزر الخاص بضبط محدد العمق (15) وقم بتركيب محدد العمق في المقبض الإضافي (16).

يجب أن تشير الحزوز على محدد العمق (17) إلى الأسفل.

حرك عدة الشغل SDS plus حتى النهاية في حاضن العدة SDS plus. قد تؤدي سهولة حركة عدة الشغل SDS plus إلى ضبط خاطئ لعمق الثقب.

أخرج محدد العمق بحيث تكون المسافة بين رأس ريشة الثقب و طرف محدد العمق مطابقة للعمق المرغوب X.

عزم الدوران الأقصى

تفصل قوة الدفع عن محور دوران المثقاب عندما تنقمت أو تتكبد عدة الشغل. أمسك العدة الكهربائية دائماً بكلتا اليدين بإحكام وقف بثبات بسبب القوى الناتجة عن ذلك.

اطفيء العدة الكهربائية وقم بحل عدة الشغل عند انحصار العدة الكهربائية. تتشكل عزوم رد فعل عالية عند تشغيل عدة ثقب مستعصية.

خاصية الإطفاء السريع (KickBack Control)

تتبع خاصية الإطفاء السريع (KickBack Control) تمكماً أفضل في العدة الكهربائية وتزيد من درجة حماية المستخدم مقارنة بالعدد الكهربائية غير المزودة بخاصية KickBack Control. في حالة الدوران المفاجئ وغير المتوقع للعدة الكهربائية حول محور الثقب تنطفئ العدة الكهربائية.

لغرض إعادة التشغيل اترك مفتاح التشغيل والإطفاء (10) واضغط عليه مجدداً.

يتم الإشارة إلى الإيقاف السريع عن طريق وميض ضوء العمل (14).

كاتم الاهتزازات

يخفض كاتم الاهتزازات المركب Vibration Control الاهتزازات الناتجة.

لا تستمر باستعمال العدة الكهربائية في حال تلف عنصر كاتم الاهتزازات.

المثبت الإلكتروني

يحافظ المثبت الإلكتروني على ثبات عدد اللفات عند الدوران اللاملي، وظروف حمل معينة. يضمن هذا قدرة عمل منتظمة.

تركيب لقم ربط اللوالب (انظر الصورة F)

ضع العدة الكهربائية على اللولب/الصامولة فقط عندما تكون مطفاة. إن عدد الشغل الدوارة قد تنزلق.

لاستخدام لقم ربط اللوالب تحتاج إلى حامل لقم شامل مع ساق حضن SDS plus (18) أو حامل لقم شامل مع ساق أسطواني أو ساق سداسية (19).

تركيب حامل لقم شامل مع ساق حضن

- نظف طرف إدخال ساق الحضن وشحمه قليلاً.
- اغرز حامل لقم العام (18) في حاضن العدة أثناء إدارته إلى أن يتم إقفاله من تلقاء نفسه.
- تأكد من ثبات الإقفال عن طريق الشد من حامل اللقم العام.
- ركب لقمة ربط لوالب في حامل اللقم العام (18). استخدم فقط لقم ربط اللوالب التي تلائم رأس اللولب.
- لفك حامل اللقم الشامل (18) قم بدفع لبيسة الإقفال إلى الخلف وانزع حامل اللقم الشامل من حاضن العدة.

تركيب حامل لقم شامل مع ساق أسطواني أو

ساق سداسية

- قم بتركيب حامل لقم شامل مع ساق أسطواني أو ساق سداسية (19). أكمل كما هو الحال عند تركيب عدة الشغل (انظر «تركيب عدة الشغل (انظر الصورة C1)»، الصفحة 68).
- تأكد من ثبات الإقفال عن طريق الشد من حامل اللقم العام (19).
- ركب لقمة ربط لوالب في حامل اللقم العام (19). استخدم فقط لقم ربط اللوالب التي تلائم رأس اللولب.
- لإخراج حامل اللقم العام (19) تصرف كما هو الحال عند إخراج عدة الشغل (انظر «فك عدة الشغل (انظر الصورة C2)»، الصفحة 69).

تثبيت وسيلة التأمين ضد السقوط (انظر الصورة G)

ملحوظة: لتأمين العدة الكهربائية ضد السقوط ينبغي استخدام وسيلة تأمين ضد السقوط (21) مناسبة لوزن النظام. يبلغ أقصى طول مسموح به لوسيلة التأمين ضد السقوط 1,8 متر. يلزم مراعاة نطاق التثبيت المسموح به بالعدة الكهربائية (20). يُفضل استخدام شريط حمل مزود بعقدة منزلقة كوسيلة تأمين ضد السقوط أو وسيلة تأمين ضد السقوط مزودة بمخمد سقوط.

يلزم مراعاة تعليمات دليل استخدام وسيلة التأمين ضد السقوط (21) عند تثبيتها.

◀ **قم بتثبيت الجانب المقابل لوسيلة التأمين ضد السقوط بقوة على هيكل ثابت (كمبنى أو سفالة)، ولا تقم بتثبيته أبداً على الجسم المستخدم نفسه.**

يجب أن تكون وسيلة التأمين ضد السقوط قابلة للتحريك بحرية ولا يجوز تثبيتها إلا على نقطة ارتكاز ثابتة (22) وفي نطاق التثبيت المسموح به (20) بالعدة الكهربائية.

اختر نقطة ارتكاز ثابتة (22) بحيث يمكن للعدة الكهربائية أن تقع بشكل حر في وسيلة التأمين ضد السقوط في حالة سقوطها دون أن تلتف على المستخدم أو تعرضه للخطر. لا تستخدم أبداً وسيلة التأمين ضد السقوط بالعدة الكهربائية مع تركيب شاطئ الغبار.



لا تُلَقِّع العدد الكهربائي والمراكم/
البطاريات ضمن النفايات المنزلية!



المراكم/البطاريات:

مراكم أيونات الليثيوم:

يرجى مراعاة الإرشادات الواردة في جزء النقل (انظر
النقل، الصفحة 71).

الصيانة والخدمة

الصيانة والتنظيف

- ◀ أخرج المرمك من العدة الكهربائية قبل إجراء أي أعمال على العدة الكهربائية (على سبيل المثال الصيانة، واستبدال العدد، وما شابه). هناك خطر إصابة بجروح في حالة الضغط على مفتاح التشغيل والإطفاء بشكل غير مقصود.
- ◀ حافظ على نظافة العدة الكهربائية وشقوق التهوية لكي تعمل بشكل جيد وآمن.
- ◀ يجب تغيير غطاء الوقاية من الغبار التالف على الفور. وينصح أن يتم ذلك من قبل مركز خدمة العملاء.
- قم بتنظيف حاضن العدة بعد كل استخدام.

خدمة العملاء واستشارات الاستخدام

يجيب مركز خدمة الزبائن على أسئلتكم بصدد تصليح وصيانة المنتج وأيضا بما يخص قطع الغيار. ستجد الرسوم الممددة والمعلومات عن قطع الغيار بموقع: www.bosch-pt.com يسر فريق استشارات الاستخدام لدى شركة بوش أن يقدم لك العون إذا كان لديك أية استفسارات بخصوص منتجاتنا وملحقاتها التكميلية. يلزم ذكر رقم الصنف ذو الخانات العشر وفقا للوحة صنع المنتج عند إرسال أية استفسارات أو طلبيات قطع غيار.

المغرب

Robert Bosch Morocco SARL

53، شارع الملازم محمد محروود

20300 الدار البيضاء

الهاتف: +212 5 29 31 43 27

البريد الإلكتروني: sav.outillage@ma.bosch.com

تجد عناوين أخرى للخدمات تحت:

www.bosch-pt.com/serviceaddresses

النقل

تخضع مراكم أيونات الليثيوم المنصوح بها لأحكام قانون المواد الخطرة. يمكن للمستخدم أن ينقلها على الشوارع العامة دون أي شروط إضافية. عند النقل بواسطة أطراف ثالثة (مثلاً: الشحن الجوي أو شركة شحن)، يتوجب التقيد بشروط خاصة بصدد التغليف والتعليم. ينبغي استشارة خبير بنقل المواد الخطيرة عند تحضير الطرد في هذه الحالة. استخدم المراكم فقط إن كان هيكلها سليم. الصق الملامسات المكشوفة وغلف المرمك بحيث لا يتحرك في الطرد. يرجى مراعاة الأحكام الوطنية الإضافية إن وجدت.

التخلص من العدة الكهربائية

يجب التخلص من العدة الكهربائية والمركم والتوابع والتغليف بطريقة صديقة للبيئة عن طريق النفايات القابلة لإعادة التصنيع.



مناسب برای محیط باز، خطر برق گرفتگی را کم می کنند.

◀ در صورت لزوم کار با ابزار برقی در محیط و اماکن مرطوب، باید از یک کلید حفاظتی جریان خطا و نشستی زمین (کلید قطع کننده اتصال با زمین) استفاده کنید. استفاده از کلید حفاظتی جریان خطا و نشستی زمین خطر برق گرفتگی را کاهش می دهد.

رعایت ایمنی اشخاص

◀ حواس خود را خوب جمع کنید، به کار خود دقت کنید و با فکر و هوشیاری کامل با ابزار برقی کار کنید. در صورت خستگی و یا در صورتی که مواد مخدر، الکل و دارو استفاده کرده‌اید، با ابزار برقی کار نکنید. یک لحظه بی توجهی هنگام کار با ابزار برقی، میتواند جراثم های شدیدی به همراه داشته باشد.

◀ از تجهیزات ایمنی شخصی استفاده کنید. همواره از عینک ایمنی استفاده نمایید.

استفاده از تجهیزات ایمنی مانند ماسک ضد گرد و غبار، کفشهای ایمنی ضد لغزش، کلاه ایمنی و گوشی محافظ متناسب با نوع کار با ابزار برقی، خطر مجروح شدن را کاهش میدهد.

◀ مواظب باشید که ابزار برقی بطور ناخواسته بکار نیفتد. قبل از وارد کردن دوشاخه دستگاه در پریز برق، اتصال آن به باتری، برداشتن آن و یا حمل دستگاه، باید دقت کنید که ابزار برقی خاموش باشد. در صورتی که هنگام حمل دستگاه انگشت شما روی دکمه قطع و وصل باشد و یا دستگاه را در حالت روشن به برق بزنید، ممکن است سوانح کاری پیش آید.

◀ قبل از روشن کردن ابزار برقی، همه ابزارهای تنظیم کننده و آچارها را از روی دستگاه بردارید. ابزار و آچارهایی که روی بخش های چرخنده دستگاه قرار دارند، میتوانند باعث ایجاد جراثم شوند.

◀ وضعیت بدن شما باید در حالت عادی قرار داشته باشد. برای کار جای مطمئنی برای خود انتخاب کرده و تعادل خود را همواره حفظ کنید. به این ترتیب میتوانید ابزار برقی را در وضعیتهای غیر منظره بهتر تحت کنترل داشته باشید.

◀ لباس مناسب بپوشید. از پوشیدن لباسهای گشاد و حمل زینت آلات خودداری کنید. موها و لباس خود را از بخشهای در حال چرخش دستگاه دور نگه دارید. لباسهای گشاد، موی بلند و زینت آلات ممکن است در قسمتهای در حال چرخش دستگاه گیر کنند.

◀ در صورتی که تجهیزاتی برای اتصال وسائل مکش گرد و غبار و یا وسیله جمع کننده گرد و غبار ارائه شده است، باید مطمئن شوید که این وسائل درست نصب و استفاده می شوند. استفاده از وسائل مکش گرد و غبار مصونیت شما را در برابر گرد و غبار زیادتیر میکند.

◀ آشنایی با ابزار به دلیل کار کردن زیاد با آن نباید باعث سهل انگاری شما و نادیده گرفتن اصول ایمنی شود. بی دقتی ممکن است باعث بروز جراثمی در عرض کسری از ثانیه شود.

فارسی

دستورات ایمنی

نکات ایمنی عمومی برای ابزارهای برقی

⚠ هشدار

کلیه هشدارها، دستورالعملها، تصاویر و مشخصات ارائه شده به همراه ابزار برقی را مطالعه کنید. اشتباهات ناشی از عدم رعایت این دستورات ایمنی ممکن است باعث برق گرفتگی، سوختگی و یا سایر جراثم های شدید شود.

کلیه هشدارهای ایمنی و راهنماییها را برای آینده خوب نگهداری کنید.

عبارت «ابزار برقی» در هشدارها به ابزارهایی که به پریز برق متصل میشوند (با سیم برق) و یا ابزارهای برقی باتری دار (بدون سیم برق) اشاره دارد.

ایمنی محل کار

◀ محیط کار را تمیز و روشن نگه دارید. محیطهای در هم ریخته یا تاریک احتمال بروز حادثه را افزایش میدهند.

◀ ابزار برقی را در محیطهایی که خطر انفجار وجود دارد و حاوی مایعات، گازها و بخارهای متحرکه هستند، به کار نگیرید. ابزارهای برقی چرخههایی ایجاد میکنند که میتوانند باعث آتش گرفتن گرد و غبارهای موجود در هوا شوند.

◀ هنگام کار با ابزار برقی، کودکان و سایر افراد را از دستگاه دور نگه دارید. در صورتیکه حواس شما پرت شود، ممکن است کنترل دستگاه از دست شما خارج شود.

ایمنی الکتریکی

◀ دوشاخه ابزار برقی باید با پریز برق تناسب داشته باشد. هیچگونه تغییری در دوشاخه ایجاد نکنید. مبدل دوشاخه نباید همراه با ابزار برقی دارای اتصال زمین استفاده شود. دوشاخههای اصل و تغییر داده نشده و پریزهای مناسب، خطر برق گرفتگی را کاهش میدهند.

◀ از تماس بدنی با قطعات متصل به سیم اتصال زمین مانند لوله، شرفاژ، اجاق برقی و یخچال خودداری کنید. در صورت تماس بدنی با سطوح و قطعات دارای اتصال به زمین و همچنین تماس شما با زمین، خطر برق گرفتگی افزایش می یابد.

◀ ابزارهای برقی را در معرض باران و رطوبت قرار ندهید. نفوذ آب به ابزار برقی، خطر شوک الکتریکی را افزایش میدهد.

◀ از سیم دستگاه برای مقاصد دیگر استفاده نکنید. هرگز برای حمل ابزار برقی، کشیدن آن یا خارج کردن دوشاخه از سیم دستگاه استفاده نکنید. کابل دستگاه را از حرارت، روغن، لیبهای تیز یا قطعات متحرک دور نگه دارید. کابلهای آسیب دیده و یا گره خورده خطر شوک الکتریکی را افزایش میدهند.

◀ هنگام استفاده از ابزار برقی در محیطهای باز، تنها از کابل رابطی استفاده کنید که برای محیط باز نیز مناسب باشد. کابل های رابط

- شوند. ایجاد اتصالی بین دو قطب باتری (ترمینالهای باتری) میتواند باعث سوختگی و ایجاد حریق شود.
- ◀ استفاده بی رویه از باتری میتواند باعث خروج مایعات از آن شود؛ از هر گونه تماس با این مایعات خودداری کنید. در صورت تماس اتفاقی با آن، دست خود و یا محل تماس را با آب بشوئید. در صورت آلوده شدن چشم با این مایع، باید به پزشک مراجعه کنید. مایع خارج شده از باتری میتواند باعث التهاب پوست و سوختگی شود.
 - ◀ هرگز از باتری یا ابزار آسیب دیده یا دست کاری شده استفاده نکنید. باتریهای آسیب دیده ممکن است کارکرد غیر منتظره‌ای داشته باشند و منجر به آتش سوزی، انفجار یا جراحت شوند.
 - ◀ باتری یا ابزار را در معرض آتش یا دمای زیاد قرار ندهید. قرار گرفتن در معرض آتش یا دمای بالاتر از 130 درجه سانتیگراد میتواند باعث انفجار شود.
 - ◀ همه راهنماییهای مربوط به شارژ را رعایت کنید و باتری یا ابزار را خارج از محدوده دمای تعریف شده در دستورات شارژ نکنید. شارژ کردن نادرست یا در دمای خارج از محدوده تعریف شده ممکن است به باتری صدمه بزند و خطر آتش سوزی را افزایش دهد.
- سرویس**
- ◀ برای تعمیر ابزار برقی فقط به متخصصین حرفهای رجوع کنید و از قطعات یدکی اصل استفاده نمایید. این باعث خواهد شد که ایمنی دستگاه شما تضمین گردد.
 - ◀ هرگز باتریهای آسیب دیده را تعمیر نکنید. باتری باید تنها توسط متخصصین مجاز شرکت تعمیر شوند.
- نکات ایمنی برای چکش ها**
- دستورالعمل های ایمنی برای انواع عملیات**
- ◀ از گوشی ایمنی استفاده کنید. قرار گرفتن در معرض سر و صدا، میتواند به شنوایی آسیب برساند.
 - ◀ از دسته کمکی، در صورتی که به همراه ابزار ارائه شده است استفاده کنید. از دست دادن کنترل بر روی ابزار میتواند باعث بروز جراحت شود.
 - ◀ در صورت انجام کارهایی که امکان برخورد با کابلهای حامل جریان برق مخفی وجود دارد، ابزار برقی را از دسته عایق بگیریید. در صورت برخورد با یک کابل حامل "جریان برق" ممکن است قسمتهای فلزی ابزار برقی حامل "جریان برق" شوند و باعث بروز شوک الکتریکی یا برق گرفتگی گردند.
- دستورالعمل های ایمنی هنگام استفاده از مته های بلند در دریل های بتن کن**
- ◀ دریل کاری را همیشه هنگامی که نوک مته با قطعه کار در تماس است و با سرعت پایین آغاز کنید. در سرعتهای بالاتر، ممکن است مته

- استفاده صحیح از ابزار برقی و مراقبت از آن**
- ◀ از وارد کردن فشار زیاد روی دستگاه خودداری کنید. برای هر کاری، از ابزار برقی مناسب با آن استفاده کنید. بکار گرفتن ابزار برقی مناسب باعث میشود که بتوانید از توان دستگاه بهتر و با اطمینان بیشتر استفاده کنید.
 - ◀ در صورت ایراد در کلید قطع و وصل ابزار برقی، از دستگاه استفاده نکنید. ابزار برقی که نمی توان آنها را قطع و وصل کرد، خطرناک بوده و باید تعمیر شوند.
 - ◀ قبل از تنظیم ابزار برقی، تعویض متعلقات و یا کنار گذاشتن آن، دوشاخه را از برق بکشید و یا باتری آنرا خارج کنید. رعایت این اقدامات پیشگیری ایمنی از راه افتادن ناخواسته ابزار برقی جلوگیری می کند.
 - ◀ ابزار برقی را در صورت عدم استفاده، از دسترس کودکان دور نگه دارید و اجازه ندهید که افراد ناوارد و یا اشخاصی که این دفترچه راهنما را نخوانده‌اند، با این دستگاه کار کنند. قرار گرفتن ابزار برقی در دست افراد ناوارد و بی تجربه خطرناک است.
 - ◀ از ابزار برقی و متعلقات خوب مراقبت کنید. مواظب باشید که قسمت های متحرک دستگاه خوب کار کرده و گیر نکنند. همچنین دقت کنید که قطعات ابزار برقی شکسته و یا آسیب دیده نباشند. قطعات آسیب دیده را قبل از شروع به کار تعمیر کنید. علت بسیاری از سوانح کاری، عدم مراقبت کامل از ابزارهای برقی می باشد.
 - ◀ ابزار برش را تیز و تمیز نگه دارید. ابزار برشی که خوب مراقبت شده و از لبه های تیز برخوردار است، کمتر در قطعه کار گیر کرده و بهتر قابل هدایت است.
 - ◀ ابزار برقی، متعلقات، متههای دستگاه و غیره را مطابق دستورات این جزوه راهنما به کار گیرید و به شرایط کاری و نوع کار نیز توجه داشته باشید. استفاده از ابزار برقی برای عملیاتی به جز مقاصد در نظر گرفته شده، میتواند به بروز شرایط خطرناک منجر شود.
 - ◀ دستها و سطوح عایق را همواره خشک، تمیز و عاری از روغن و گریس نگه دارید. دسته های لغزنده مانع ایمنی و کنترل در کار در شرایط غیر منتظره هستند.
- مراقبت و طرز استفاده از ابزارهای شارژی**
- ◀ باتریها را منحصراً توسط شارژرهایی که توسط سازنده توصیه شده‌اند، شارژ کنید. در صورتی که برای شارژ باتری، آنرا در شارژری قرار دهید که برای آن باتری ساخته نشده است، خطر آتش سوزی وجود دارد.
 - ◀ در ابزارهای برقی فقط از باتریهایی استفاده کنید که برای آن نوع ابزار برقی در نظر گرفته شده‌اند. استفاده از باتریهای مترقیه میتواند منجر به بروز جراحت و حریق گردد.
 - ◀ در صورت عدم استفاده از باتری باید آنرا از گیره های فلزی، سکه، کلید، میخ، پیچ و دیگر وسائل کوچک فلزی دور نگه دارید، زیرا این وسائل ممکن است باعث ایجاد اتصالی

- ◀ هنگام چرخش در حالت آزاد و بدون تماس با قطعه کار کج شود و باعث وارد آمدن جراثیم گردد.
- ◀ **روی مته فقط بطور مستقیم فشار وارد کنید و از اعمال فشار بیش از حد خودداری نمایید.** مته ها ممکن است خمیده و باعث اختلال یا از دست رفتن کنترل شوند و منجر به جراثیم کاربر گردند.
- ◀ **سایر نکات ایمنی**
- ◀ برای پیدا کردن لوله ها و سیم های پنهان موجود در ساختمان و محدوده کار، از یک دستگاه ردیاب مخصوص برای یافتن لوله ها و سیمهای تأسیسات استفاده کنید و یا با شرکت های کارهای تأسیسات ساختمان و خدمات مربوطه تماس بگیرید. تماس با کابل و سیمهای برق ممکن است باعث آتشسوزی و یا برق گرفتگی شود. ایراد و آسیب دیدگی لوله گاز میتواند باعث انفجار شود. سوراخ شدن لوله آب باعث ایجاد خسارت میشود.
- ◀ **قبل از کنار گذاشتن ابزار برقی صبر کنید تا دستگاه بطور کامل از کار و حرکت بایستد.** ابزار ممکن است به قطعه کار گیر کرده و کنترل ابزار برقی از دست شما خارج شود.
- ◀ **قطعه کار را محکم کنید.** در صورتیکه قطعه کار به وسیله تجهیزات نگهدارنده و یا بوسیله گیره محکم شده باشد، قطعه کار مطمئن تر نگه داشته میشود، تا اینکه بوسیله دست نگهداشته شود.
- ◀ **در صورتیکه باتری آسیب دیده باشد و یا از آن بطور بی رویه استفاده شود، ممکن است از باتری بخارهایی بلند شود. باتری ممکن است آتش بگیرد یا منفجر شود.** در این حالت هوای محیط را تازه کنید؛ اگر احساس ناراحتی کردید، به پزشک مراجعه نمایید. استنشاق این بخارها ممکن است به مجاری تنفسی شما آسیب برساند.
- ◀ **باتری قابل شارژ را تغییر و باز نکنید.** خطر اتصال کوتاه وجود دارد.
- ◀ **بوسیله ی اشیاء تیز مانند میخ یا پیچگوشتی یا تأثیر نیروی خارجی ممکن است باتری آسیب ببیند.** ممکن است اتصالی داخلی رخ دهد و باتری آتش گیرد، دود کند، منفجر شود یا بیش از حد داغ گردد.
- ◀ **از باتری قابل شارژ فقط در محصولات سازنده استفاده کنید.** فقط در این صورت از باتری در برابر بار اضافی خطرناک محافظت می شود.
- ◀ **باتری را در برابر حرارت، از جمله در برابر تابش مداوم خورشید و همچنین در برابر آتش، آلودگی، آب و رطوبت محفوظ بدارید.** خطر اتصالی و انفجار وجود دارد.
- ◀ **بلافاصله پس از کار، به هیچ وجه به ابزارهای مورد استفاده یا قطعات مجاور بدنه دست نزنید.** این موارد می توانند در حین کار خیلی داغ شده و باعث سوختگی گردند.
- ◀ **ابزار مورد استفاده هنگام سوراخ کاری ممکن است گیر کند. مطمئن شوید که محکم ایستاده اید و ابزار برقی را با هر دو دست**

محکم نگه دارید. در غیر اینصورت امکان از دست دادن کنترل روی ابزار برقی وجود دارد.

◀ **ابزار برقی را در حال کار به سمت اطرافیان نگیرید.** ابزار مورد استفاده ممکن است پرتاب شود و باعث بروز جراثیم های جدی گردد.

◀ **همیشه از کلاه ایمنی و عینک ایمنی یا محافظ صورت استفاده کنید.** عینک معمولی یا عینک آفتابی، به عنوان عینک ایمنی محسوب نمی شود.

◀ **قبل از شروع به کار، از محکم شدن ابزار مورد استفاده روی یک سطح محکم و مطمئن اطمینان حاصل کنید.**

◀ **از محکم ایستادن خود اطمینان حاصل کنید.** در صورت کار کردن در جای دارای ارتفاع مانند نردبان، مطمئن شوید که هیچ کسی زیر محل کار شما قرار نگرفته باشد.

◀ **سه نظام را هنگام روشن بودن ابزار برقی باز و بسته نکنید.** امکان پرتاب شدن مته به بیرون و در نتیجه خطر جراثیم وجود دارد.

◀ **ابزار برقی را در حال کار به سمت اطرافیان نگیرید.** ابزار مورد استفاده ممکن است پرتاب شود و باعث بروز جراثیم های جدی گردد.

◀ **همیشه از کلاه ایمنی و عینک ایمنی یا محافظ صورت استفاده کنید.** عینک معمولی یا عینک آفتابی، به عنوان عینک ایمنی محسوب نمی شود.

◀ **قبل از شروع به کار، از محکم شدن ابزار مورد استفاده روی یک سطح محکم و مطمئن اطمینان حاصل کنید.**

◀ **از محکم ایستادن خود اطمینان حاصل کنید.** در صورت کار کردن در جای دارای ارتفاع مانند نردبان، مطمئن شوید که هیچ کسی زیر محل کار شما قرار نگرفته باشد.

◀ **سه نظام را هنگام روشن بودن ابزار برقی باز و بسته نکنید.** امکان پرتاب شدن مته به بیرون و در نتیجه خطر جراثیم وجود دارد.

◀ **ابزار برقی را هنگام کار با دو دست محکم بگیرید و وضعیت خود را ثابت و مطمئن کنید.** ابزار برقی با دو دست مطمئن تر هدایت می شود.

توضیحات محصول و کارکرد

همه دستورات ایمنی و راهنماییها را بخوانید. اشتباهات ناشی از عدم رعایت این دستورات ایمنی ممکن است باعث برقگرفتگی، سوختگی و یا سایر جراثیم های شدید شود.



به تصویرهای واقع در بخشهای اول دفترچه راهنما توجه کنید.

موارد استفاده از دستگاه

ابزار برقی برای سوراخکاری چکشی در بتن، آجر و سنگ در نظر گرفته شده است. علاوه بر این برای سوراخکاری بدون ضربه در چوب، فلز، سرامیک، پلاستیک مناسب است. ابزارهای برقی با کنترل الکترونیکی و قابلیت چرخش راست گرد و چپ گرد برای پیچکاری نیز مناسب هستند.



باتری را در برابر حرارت، از جمله در برابر تابش مداوم خورشید و همچنین در برابر آتش، آلودگی، آب و رطوبت محفوظ بدارید. خطر اتصالی و انفجار وجود دارد.

بلافاصله پس از کار، به هیچ وجه به ابزارهای مورد استفاده یا قطعات مجاور بدنه دست نزنید. این موارد می توانند در حین کار خیلی داغ شده و باعث سوختگی گردند.

ابزار مورد استفاده هنگام سوراخ کاری ممکن است گیر کند. مطمئن شوید که محکم ایستاده اید و ابزار برقی را با هر دو دست

دریل چکشی شارژی		GBH 18V-18 X
10	mm	- فولاد
18	mm	- چوب
2,2 kg (1,5 Ah) - 3,2 kg (12,0 Ah)	kg	وزن ^(B)
0 ... +35	°C	دمای توصیه شده محیط هنگام شارژ
-20 ... +50	°C	دمای مجاز محیط هنگام کار ^(C) و هنگام انبار کردن
GBA 18V... ProCORE18V...		باتری های قابل شارژ سازگار
GAL 18... GAX 18... GAL 36...		شارژرهای توصیه شده

(A) اندازه گیری شده در دمای °C 20-25 با باتری قابل شارژ **GBA 18V 4.0Ah**.

(B) بسته به نوع باتری کاربردی

(C) توان محدود برای دمای °C < 0

اطلاعات فنی طبق باتری ارسالی محاسبه شده اند.

مقادیر ممکن است بسته به محصول متفاوت باشند و بستگی به شرایط استفاده و محیطی دارند. اطلاعات بیشتر را در سایت www.bosch-professional.com/wac مشاهده نمایید.

باتری قابل شارژ

Bosch ابزارهای برقی شارژی را هم بدون باتری قابل شارژ می فروشد. در بسته بندی می توانید دریابید که آیا باتری قابل شارژ در محتویات ارسالی ابزار برقی شما وجود دارد یا خیر.

شارژ کردن باتری قابل شارژ

◀ **تنها شارژرهای ذکر شده در مشخصات فنی را بکار برید.** تنها این دستگاه های شارژ با باتری های لیتیوم-یونی (Li-Ion) ابزار برقی شما منطبق میباشند.

نکته: باتری های قابل شارژ لیتیوم یونی به دلیل قوانین حمل و نقل بین المللی به صورت نیمه شارژ تحویل داده می شوند. برای دست یافتن به توان کامل باتری قابل شارژ، قبل از به کارگیری آن برای اولین بار، باتری را به طور کامل شارژ کنید.

نحوه قرار دادن باتری قابل شارژ

باتری شارژ شده را به داخل محفظه باتری قابل شارژ برانید تا جا بیفتد.

نحوه برداشتن باتری قابل شارژ

برای برداشتن باتری قابل شارژ، دکمه های آزادسازی باتری را فشار دهید و آن را خارج کنید. **هنگام انجام این کار از اعمال فشار خودداری کنید.**

باتری قابل شارژ دارای 2 مرحله قفل می باشد که مانع از بیرون افتادن باتری قابل شارژ در اثر فشار ناخواسته روی دکمه آزادسازی باتری می شود. تا زمانی که باتری قابل شارژ داخل ابزار برقی قرار داشته باشد، توسط یک فنر در موقعیت خود نگه داشته می شود.

اجزاء دستگاه

شماره گذاری تصاویر اجزاء دستگاه بر اساس شکل ابزار برقی در صفحه تصاویر است.

- (1) سه نظام ONECHUCK
 - (2) ابزارگیر ONECHUCK
 - (3) کلاهک محافظت در برابر گرد و غبار
 - (4) بوش جلویی
 - (5) بوش عقبی
 - (6) کاهش دهنده لرزش و ارتعاش
 - (7) دکمه آزادسازی باتری قابل شارژ^(a)
 - (8) کلید تغییر جهت چرخش
 - (9) دسته (دارای روکش عایق)
 - (10) کلید روشن/خاموش
 - (11) باتری قابل شارژ^(a)
 - (12) دکمه آزاد کننده قفل برای کلید توقف ضربه/چرخش
 - (13) کلید توقف ضربه/چرخش
 - (14) چراغ کار
 - (15) دکمه تنظیم کننده عمق سوراخ
 - (16) دسته کمکی (دارای روکش عایق)
 - (17) خط کش تعیین عمق سوراخ
 - (18) نگهدارنده عمومی با شفت گیرنده SDS plus^(a)
 - (19) نگهدارنده عمومی مته با شفت سیلندری یا شفت شش ضلعی^(a)
 - (20) محدوده تثبیت تجهیزات محافظت در برابر سقوط روی ابزار برقی
 - (21) تجهیزات محافظت در برابر سقوط^(b)
 - (22) پایه ثابت تجهیزات محافظت در برابر سقوط^(b)
- (a) این قسمت از متعلقات، بطور معمول همراه دستگاه ارائه نمی شود.
- (b) کلیه متعلقاتی که در تصویر و یا در متن آمده است، بطور معمول همراه دستگاه ارائه نمی شود و مربوط به برنامه متعلقات بوش نیستند.

مشخصات فنی

دریل چکشی شارژی		GBH 18V-18 X
شماره فنی		3 611 J27 1..
ولتاژ نامی	V=	18
سرعت نامی ^(A)	min ⁻¹	900
تعداد ضربه ^(A)	min ⁻¹	5000
ابزارگیر		SDS plus - استوانه ای شش ضلعی
شفت های استوانه ای در محدوده چرخش سه نظام	mm	6-10
حداکثر قطر سوراخ		
- بتن	mm	18

غیره)، باتری قابل شارژ را از داخل ابزار برقی خارج کنید. در صورت فشردن شدن اتفاقی کلید روشن/خاموش، خطر آسیب دیدگی وجود دارد.

دسته کمکی

◀ **از ابزار برقی تنها با دسته کمکی (16) استفاده کنید.**

◀ **دقت کنید که دسته کمکی همیشه محکم شده باشد.** در غیر اینصورت امکان از دست دادن کنترل روی ابزار برقی در حین کار وجود دارد.

تعویض حالت دسته کمکی (رجوع کنید به تصویر A)

دسته کمکی (16) را می توان به دلخواه جهت بدست آمدن حالت کاری مطمئن و راحت چرخاند. - قسمت پایینی دسته کمکی (16) را در خلاف جهت چرخش عقربه‌های ساعت بچرخانید و دسته کمکی (16) را به حالت دلخواه برانید. سپس قسمت پایینی دسته کمکی (16) را در جهت چرخش عقربه‌های ساعت محکم کنید. توجه داشته باشید که تسمه مهار دسته کمکی در شیار موجود در بدنه دستگاه که برای آن در نظر گرفته شده است، قرار بگیرد.

تعویض ابزار

با سه نظام ONECHUCK می توانید آسان و راحت و بدون استفاده از ابزارهای اضافی یا تعویض سه نظام، ابزارهای SDS plus، استوانه ای و شش ضلعی مورد استفاده را به کار بگیرید.



درپوش حفاظتی گرد و غبار (3) از نفوذ گرد و غبار مته کاری در گیرنده ابزار در حین کار به طور عمده جلوگیری می کند. هنگام قرار دادن ابزار دقت کنید که درپوش حفاظتی گرد و غبار (3) آسیب نبیند.

◀ **کلاسهک محافظت در برابر گرد و غبار را در صورت آسیب دیدن فوراً عوض کنید. توصیه میشود اینکار را توسط تعمیرگاه مجاز (خدمات پس از فروش) انجام دهید.**

تعویض ابزار (SDS plus)

نحوه قرار دادن ابزار SDS plus مورد استفاده (رجوع کنید به تصاویر B1-B2)

- بوش عقبی (5) سه نظام را با یک دست محکم نگه دارید. با دست دیگر، بوش جلویی (4) را به طور کامل بچرخانید و ابزارگیر را باز کنید.
- انتهای قرارگیری ابزار SDS plus مورد استفاده را تمیز و آن را کمی چرب کنید.
- ابزار SDS plus مورد استفاده را با چرخاندن در داخل ابزارگیر قرار دهید تا خود به خود در دستگاه قفل شود.
- با کشیدن ابزار، از قفل شدن آن مطمئن شوید. ابزار مورد استفاده SDS plus به دلایل سیستمی آزادانه قابل حرکت است. به این ترتیب در حالت بدون بار (در حالت آزاد)، یک گردش دورانی نامنظم انجام میگیرد. این مسئله هیچگونه تأثیری بر روی دقت سوراخ کاری و سوراخ مته ندارد، زیرا مته در

نشانگر وضعیت شارژ باتری

نکته: هر نوع باتری قابل شارژ دارای نشانگر میزان شارژ نیست.

چراغهای سبز LED نشانگر وضعیت شارژ باتری، وضعیت شارژ باتری را نشان میدهند. به دلایل ایمنی، فراخوانی وضعیت شارژ باتری تنها در حالت توقف ابزار برقی ممکن است.

دکمه را جهت پدیدار شدن نشانگر وضعیت شارژ @ یا وضعیت شارژ فشار دهید. این کار هنگامی که باتری برداشته شده باشد نیز ممکن است.

چنانچه پس از فشردن دکمه نشانگر وضعیت شارژ هیچ LED روشن نشود، باتری خراب است و باید تعویض گردد.

نوع باتری GBA 18V...



LED	ظرفیت
3 عدد چراغ سبز ممتد	60-100 %
2 عدد چراغ سبز ممتد	30-60 %
1 عدد چراغ سبز ممتد	5-30 %
1 عدد چراغ سبز چشمک زن	0-5 %

نوع باتری ProCORE18V...



LED	ظرفیت
5 عدد چراغ سبز ممتد	80-100 %
4 عدد چراغ سبز ممتد	60-80 %
3 عدد چراغ سبز ممتد	40-60 %
2 عدد چراغ سبز ممتد	20-40 %
1 عدد چراغ سبز ممتد	5-20 %
1 عدد چراغ سبز چشمک زن	0-5 %

توضیحات و تذکراتی برای نحوه بهینه کار با باتری

باتری را در برابر رطوبت و آب حفظ کنید. باتری را منحصراً در دمای بین -20 تا 50 درجه نگهداری کنید. بطور مثال باتری را در تابستان داخل اتومبیل نگذارید. گاهیگاه شیارهای تهویه باتری را بوسیله یک قلم موی یا برس کوچک نرم و خشک تمیز کنید. افت قابل توجه مدت زمان کارکرد باتری که تازه شارژ شده است، نمایانگر آن است که باتری فرسوده و مستعمل شده و باید تعویض شود. به نکات مربوط به نحوه از رده خارج کردن باتری توجه کنید.

نصب

◀ **قبل از انجام هر گونه کاری با ابزار برقی (از جمله سرویس و نگهداری، تعویض ابزار و**

- ترکیب آنها با سایر موادی که برای کار بر روی چوب (کرومات، مواد برای محافظت از چوب) بکار برده میشوند. فقط افراد متخصص مجازند با موادی که دارای آزیست میباشند کار کنند.
- حتی الامکان از یک دستگاه مکش مناسب و درخور ماده (قطعه کار) استفاده کنید.
- توجه داشته باشید که محل کار شما از تهویه هوای کافی برخوردار باشد.
- توصیه میشود از ماسک تنفسی ایمنی با درجه فیلتر P2 استفاده کنید.
- به قوانین و مقررات معتبر در کشور خود در رابطه با استفاده از مواد و قطعات کاری توجه کنید.
- ◀ **از تجمع گرد و غبار در محل کار جلوگیری کنید.** گرد و غبار می توانند به آسانی مشتعل شوند.

کار با دستگاه

راه اندازی

نحوه تنظیم نوع عملکرد

- با کلید توقف ضربه/چرخش (13) نوع عملکرد ابزار برقی را انتخاب کنید.
- جهت تعویض نوع عملکرد، دکمه آزاد کننده قفل (12) را فشار دهید و کلید توقف ضربه/چرخش (13) را به موقعیت دلخواه برانید تا به طور محسوس جا بیفتد.
- نکته:** نوع عملکرد را تنها با ابزار برقی خاموش تغییر دهید! در غیر اینصورت امکان آسیب دیدن ابزار برقی وجود دارد.

موقعیت **سوراخ کاری چکشی** در بتن یا سنگ



موقعیت **سوراخ کاری** بدون ضربه در چوب، فلز، سرامیک، پلاستیک و همچنین برای **پیچ کاری**



تنظیم جهت چرخش (رجوع کنید به تصویر D)

- با کلید تغییر جهت چرخش (8) میتوان جهت چرخش ابزار برقی را تغییر دهید. هنگامی که کلید روشن/خاموش (10) فشرده شده است، این امر ممکن نیست.

◀ کلید تغییر جهت چرخش (8) را هنگام متوقف بودن دستگاه فعال کنید.

- جهت چرخش را برای سوراخ کاری چکشی و دریل کردن همیشه روی راست تنظیم کنید.
- **راست گرد:** برای سوراخکاری و پیچکاری، کلید تغییر جهت چرخش (8) را تا انتها به چپ فشار دهید.
- **چپ گرد:** برای شل کردن یا باز کردن پیچ ها و مهره ها، کلید تغییر جهت چرخش (8) را تا انتها به راست فشار دهید.
- نکته:** اگر کلید تغییر جهت چرخش در وضعیت وسط قرار بگیرد، کلید روشن/خاموش قفل می گردد.

هنگام سوراخ کردن بطور اتوماتیک در مرکز سوراخ قرار میگیرد.

نحوه برداشتن ابزار SDS plus (رجوع کنید به تصویر B3)

- بوش عقبی (5) را به عقب برانید و ابزار SDS plus مورد استفاده را بردارید.

تعویض ابزار (شفت استوانه ای، شش ضلعی) نحوه قرار دادن ابزار مورد استفاده (رجوع کنید به تصویر C1)

- نکته:** از ابزارهای بدون SDS plus برای سوراخ کاری چکشی استفاده نکنید! ابزارهای بدون SDS plus و سه نظام آنها، هنگام سوراخ کاری چکشی آسیب می بینند.
- نکته:** از ابزارهای دارای شفت استوانه ای یا شش ضلعی فقط در نوع عملکرد سوراخ کاری استفاده کنید.

◀ سه نظام را هنگام روشن بودن ابزار برقی متصل نکنید. امکان پرتاب شدن مته به بیرون و در نتیجه خطر جراحت وجود دارد.

نکته: فقط از ابزارهای دارای شفت استوانه ای یا شش ضلعی با قطر شفت 10-6 mm استفاده کنید.

- کلید توقف ضربه/چرخش (13) را به موقعیت "سوراخکاری" بچرخانید.
- بوش عقبی (5) سه نظام را با یک دست محکم نگه دارید. با دست دیگر، ابزارگیر را با چرخاندن بوش جلویی (4) آنگذر باز کنید که بتوان ابزار مورد استفاده را جا انداخت.
- ابزار استوانه ای یا شش ضلعی مورد استفاده را داخل سه نظام قرار دهید.
- با یک دست، بوش عقبی (5) را محکم بگیرید و با دست دیگر بوش جلویی (4) را در جهت فلش محکم بچرخانید تا صدای کلیک به وضوح شنیده شود.

- با کشیدن ابزار، تثبیت شدن آن را بررسی کنید. فقط هنگامی که ابزار برقی خاموش است، ابزار مورد استفاده را قرار دهید.

نحوه برداشتن ابزار مورد استفاده (رجوع کنید به تصویر C2)

- بوش عقبی (5) سه نظام را با یک دست محکم نگه دارید. با دست دیگر، ابزارگیر را با چرخاندن بوش جلویی (4) در جهت فلش باز کنید تا بتوان ابزار مورد استفاده را برداشت.
- ابزار مورد استفاده را بردارید.

◀ سه نظام را هنگام روشن بودن ابزار برقی جدا نکنید. امکان پرتاب شدن مته به بیرون و در نتیجه خطر جراحت وجود دارد.

مکش گرد، براده و تراشه

گرد و غبار موادی مانند رنگ های دارای سرب، بعضی از چوب ها، مواد معدنی و فلزات میتوانند برای سلامتی مضر باشند. دست زدن و یا تنفس کردن گرد و غبار ممکن است باعث بروز آلرژی و یا بیماری مجاری تنفسی شخص استفاده کننده و یا افرادی که در آن نزدیکی میباشند، بشود. گرد و غبارهای مخصوصی مانند گرد و غبار درخت بلوط و یا درخت راش سرطان زا هستند، بخصوص

صورت چرخش ناگهانی و غیر قابل پیش بینی ابزار برقی حول محور مته، ابزار برقی خاموش می شود.
 - جهت راه اندازی دوباره کلید روشن/خاموش (10) را رها کنید و آن را دوباره فشار دهید.
 قطع سریع از طریق چشمک زدن چراغ کار (14) روی ابزار برقی نشان داده می شود.

کاهش دهنده لرزش و ارتعاش

کاهش دهنده لرزش و ارتعاش تعبیه شده، مقدار لرزشهای ایجاد شده را کاهش میدهد.



چنانچه عضو کاهنده لرزش و ارتعاش ابزار برقی آسیب دیده باشد، از ابزار برقی دیگر استفاده نکنید.

تثبیت کننده الکترونیکی

الکترونیکی ثابت سرعت ثابتی را هنگام خلاص بودن و در شرایط بار مشخص حفظ می کند. این امر توان کاری یکنواختی را تضمین می کند.



قرار دادن سر پیچ گوهی (رجوع کنید به تصویر F)

ابزار برقی را تنها در حالت خاموش روی پیچ و یا مهره قرار دهید. امکان لغزش ابزار در حالت چرخش وجود دارد.

برای استفاده از سر پیچ گوهی، به نگهدارنده عمومی مته با شفت گیرنده (18) SDS plus یا نگهدارنده عمومی مته با شفت سیلندری یا شفت شلی (19) نیاز است.

نحوه قرار دادن نگهدارنده عمومی مته با شفت گیرنده SDS plus

- قسمت انتهایی شفت گیرنده را تمیز و آن را کمی چرب کنید.
- نگهدارنده عمومی مته (18) را در حالت چرخان داخل ابزارگیر قرار دهید تا زمانی که بطور خودکار قفل شود.
- با کشیدن نگهدارنده عمومی مته، قفل بودن آن را امتحان کنید.
- یک سر پیچ گوهی را داخل نگهدارنده عمومی مته (18) قرار دهید. فقط از سر پیچ گوهی های متناسب با سر پیچ استفاده کنید.
- برای درآوردن نگهدارنده عمومی مته (18)، بوش قفل کننده را به عقب برانید و نگهدارنده عمومی مته را از ابزارگیر بیرون آورید.

نحوه قرار دادن نگهدارنده عمومی مته با شفت سیلندری یا شفت شلی

- نگهدارنده عمومی مته را با شفت سیلندری یا شفت شلی (19) قرار دهید. همانند قرار دادن ابزار مورد استفاده عمل کنید (رجوع کنید به ،نحوه قرار دادن ابزار مورد استفاده (رجوع کنید به تصویر C1)، صفحه 77).
- با کشیدن نگهدارنده عمومی مته (19)، قفل بودن آن را امتحان کنید.
- یک سر پیچ گوهی را داخل نگهدارنده عمومی مته (19) قرار دهید. فقط از سر پیچ گوهی های متناسب با سر پیچ استفاده کنید.

نحوه روشن و خاموش کردن

- جهت روشن کردن ابزار برقی، کلید روشن/خاموش (10) را فشار دهید.

چراغ کار (14) هنگامی که کلید روشن/خاموش (10) نیمه فشرده یا در حالت فشرده کامل باشد، روشن میشود و در شرایط نامناسب نور، امکان روشن کردن محیط کار را فراهم میکند.

- برای خاموش کردن ابزار برقی، کلید روشن/خاموش (10) را رها کنید.

ابزار برقی در دمای پایین بعد از مدتی توان کامل برای چکشکاری و ایجاد ضربه را به دست میآورد.

تنظیم تعداد چرخش/ضربه

همیشه میتوان تعداد چرخش/ضربه ابزار برقی روشن را با توجه به اینکه کلید روشن/خاموش (10) را تا کجا فشار میدهند، تنظیم کرد.

فشار کم روی کلید روشن/خاموش (10) باعث کاهش تعداد چرخش/ضربه میشود. افزایش فشار باعث افزایش تعداد چرخش/ضربه میشود.

نکات کار

نحوه تنظیم عمق سوراخ (رجوع کنید به تصویر E)

با خط کش تعیین عمق سوراخ (17) می توان عمق سوراخکاری دلخواه X را تثبیت کرد.

- دکمه تنظیم کننده عمق سوراخ (15) را فشار دهید و خط کش تعیین عمق سوراخ را در دسته کمکی (16) قرار دهید.

برآمدگی خط کش تعیین عمق سوراخ (17) باید به طرف پایین باشد.

- ابزار مورد استفاده SDS plus را تا انتها در ابزارگیر SDS plus هدایت کنید. در غیر این صورت، حرکت ابزار مورد استفاده SDS plus ممکن است به تنظیم اشتباه عمق سوراخ منجر شود.

- خط کش تعیین عمق سوراخ را بیرون بکشید تا جایی که فاصله بین نوک آن و نوک مته با عمق سوراخ مورد نظر X مطابق باشد.

گشتاور اضافه بار

هنگامی که مته یا ابزار دریل گیر کند، نیروی محرکه محور (شفت) مته قطع می شود.

بدلیل نیروهایی که در اینصورت ایجاد می شوند، ابزار برقی را همیشه با هر دو دست محکم نگهدارید و وضعیت ایستادن شما هم باید ثابت و مستقر باشد.

در صورتیکه ابزار برقی بلوکه شود یا گیر کند،

ابزار برقی را خاموش کرده و ابزار را از روی دستگاه بردارید. روشن کردن ابزار برقی در حالیکه ابزار مته گیر کرده باشد، باعث ایجاد ارتعاش و عکس العمل های شدید گشتاور می شود.

قطع سریع (KickBack Control)

قطع سریع (KickBack Control) امکان کنترل بهتر را روی ابزار برقی فراهم می کند و اینگونه، در مقایسه با ابزارهای برقی فاقد KickBack Control، محافظت از کاربر را افزایش می دهد. در



تیم مشاوره Bosch شما را در مورد سؤالهایتان نسبت به محصولات و متعلقات ما حمایت می کند. برای هرگونه سؤال و یا سفارش ابزار بدکی و متعلقات، حتماً شماره فنی ده رقمی کالا را مطابق برچسب روی ابزار برقی اطلاع دهید.

ایران

روبرت بوش ایران - شرکت بوش تجارت پارس
میدان ونک، خیابان شهید خدای، خیابان آفتاب
ساختمان مادیران، شماره 3، طبقه سوم.
تهران 1994834571
تلفن: 9821 42039000+

سایر اطلاعات مربوط به خدمات را اینجا می یابید:

www.bosch-pt.com/serviceaddresses

حمل و نقل

باتریهای لیتیوم-یونی توصیه شده تابع مقررات حمل کالاهای پرخطر می باشند. کاربر می تواند باتریها را بدون استفاده از روشش در خیابان حمل کند. در صورت ارسال از طرف شرکت ثالث (مثلاً: حمل و نقل هوایی یا زمینی) باید تمهیدات مربوط به بسته بندی و علامتگذاری مورد توجه قرار گیرد. در اینصورت باید حتماً جهت آماده سازی قطعه ارسالی به کارشناس حمل کالاهای پرخطر مراجعه کرد. باتریهای شارژی را فقط در صورتی ارسال کنید که بدنه آنها آسیب ندیده باشد. کنتاکتهای باز را بپوشانید و باتری را طوری بسته بندی کنید که در بسته بندی تکان نخورد. در این باره لطفاً به مقررات و آیین نامه های ملی توجه کنید.

از رده خارج کردن دستگاه

ابزارهای برقی، باتری ها، متعلقات و بسته بندی ها، باید طبق مقررات حفظ محیط زیست از رده خارج و بازیافت شوند.



ابزار برقی و باتری ها/ باتری های قابل شارژ را داخل زباله دان خانگی نیندازید!



باتریهای شارژی/قلمی:

لیتیوم-یونی:

لطفاً به تذکرات بخش "حمل و نقل" توجه کنید (رجوع کنید به "حمل و نقل"، صفحه 79).

- برای برداشتن نگهدارنده عمومی مته (19) همانند مراحل برداشتن ابزار مورد استفاده عمل کنید (رجوع کنید به "نمونه برداشتن ابزار مورد استفاده (رجوع کنید به تصویر C2)", صفحه 77).

تثبیت کردن تجهیزات حفاظت در برابر سقوط (رجوع کنید به تصویر G)

نکته: برای محافظت ابزار برقی در برابر سقوط، باید از تجهیزات حفاظت در برابر سقوط متناسب با وزن سیستم (21) استفاده کرد. حداکثر طول مجاز تجهیزات حفاظت در برابر سقوط 1,8 m است. ضروری است مراقب محدوده مجاز نصب (20) روی ابزار برقی باشید.

ترجیحاً از یک تسمه محکم شده با گره قلابی شکل یا تجهیزات حفاظت در برابر سقوط دارای ضربه گیر، به عنوان تجهیزات حفاظت در برابر سقوط استفاده کنید.

هنگام نصب تجهیزات حفاظت در برابر سقوط (21) حتماً به دستورالعمل آن توجه کنید.

◀ **سمت دیگر تجهیزات حفاظت در برابر سقوط، حتماً باید به یک سازه ثابت (برای مثال ساختمان یا داربست) متصل شود و هرگز به خود کاربر وصل نگردد.**

تجهیزات حفاظت در برابر سقوط باید قابلیت حرکت آزادانه داشته باشند و فقط می تواند روی نقطه اتصال ثابت (22) و در محدوده مجاز نصب (20) روی ابزار برقی محکم شوند. نقطه اتصال ثابت (22) را طوری انتخاب کنید که ابزار برقی در صورت سقوط، بدون اینکه به کاربر گیر کند یا او را به خطر بیندازد، بتواند به داخل محافظ سقوط بیفتد. هرگز از تجهیزات حفاظت در برابر سقوط روی ابزار برقی با مکنده گرد و غبار نصب شده، استفاده نکنید.

مراقبت و سرویس

مراقبت، تعمیر و تمیز کردن دستگاه

◀ قبل از انجام هر گونه کاری با ابزار برقی (از جمله سرویس و نگهداری، تعویض ابزار و غیره)، باتری قابل شارژ را از داخل ابزار برقی خارج کنید. در صورت فشردن شدن اتفاقی کلید روشن/خاموش، خطر آسیب دیدگی وجود دارد.

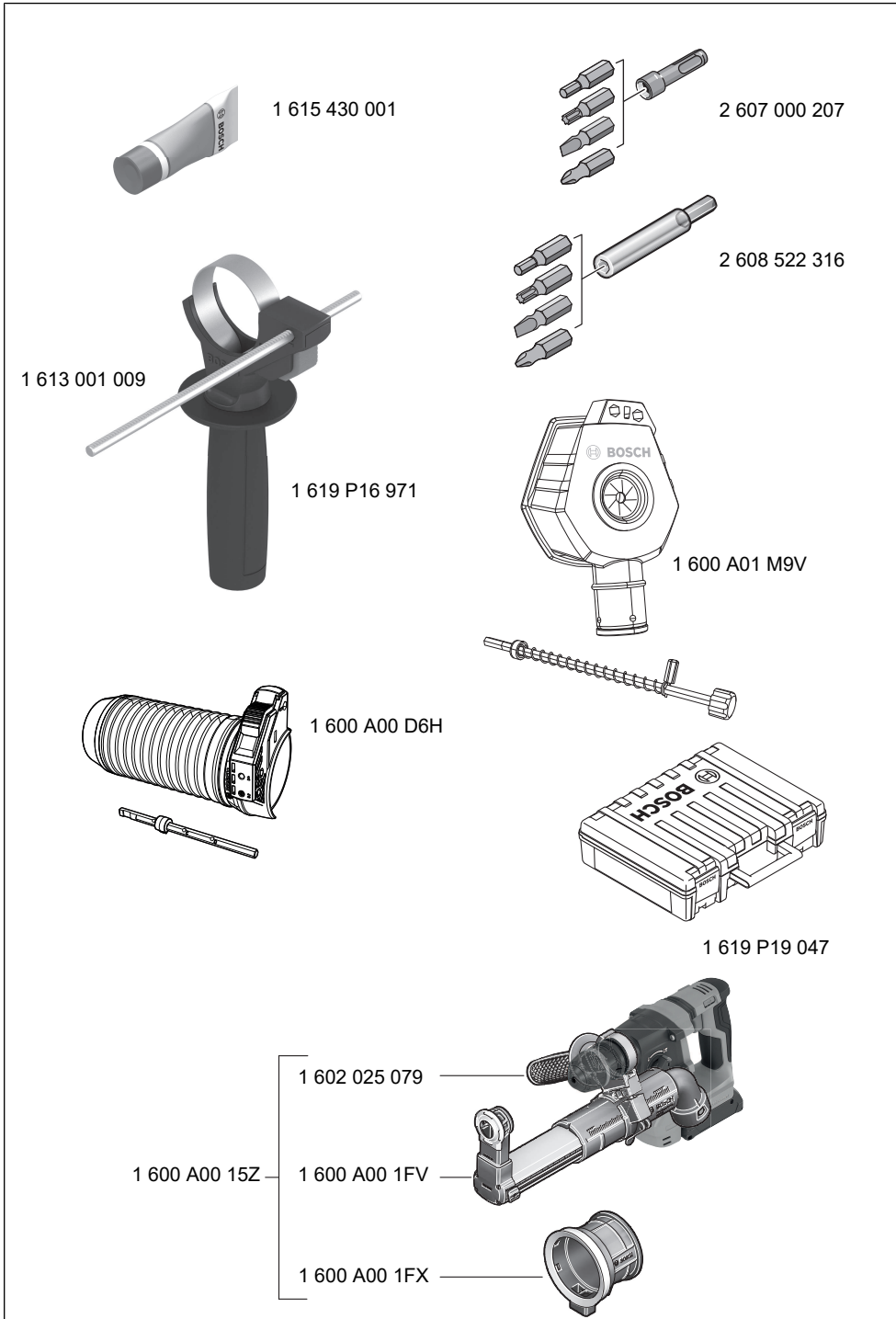
◀ **ابزار برقی و شیارهای تهویه را همواره تمیز نگه دارید تا بتوان بخوبی و با اطمینان کار کرد.**

◀ **کلاسهک محافظت در برابر گرد و غبار را در صورت آسیب دیدن فوراً عوض کنید. توصیه میشود این کار را از طریق تعمیرگاه مجاز (خدمات پس از فروش) انجام دهید.**

- ابزارگیر را پس از هر بار استفاده تمیز کنید.

خدمات و مشاوره با مشتریان

دفتر خدمات پس از فروش به سئوالات شما در باره تعمیرات، سرویس و همچنین قطعات بدکی و متعلقات پاسخ خواهد داد. تصاویر و اطلاعات در باره قطعات بدکی و متعلقات را میتوانید در سایت نامبرده زیر جستجو نمایید: www.bosch-pt.com



Legal Information and Licenses

Copyright (c) 2015, Infineon Technologies AG

All rights reserved.

Redistribution and use in source and binary forms, with or without modification, are permitted provided that the following conditions are met:

- Redistributions of source code must retain the above copyright notice, this list of conditions and the following disclaimer.
- Redistributions in binary form must reproduce the above copyright notice, this list of conditions and the following disclaimer in the documentation and/or other materials provided with the distribution.
- Neither the name of the copyright holders nor the names of its contributors may be used to endorse or promote products derived from this software without specific prior written permission.

THIS SOFTWARE IS PROVIDED BY THE COPYRIGHT HOLDERS AND CONTRIBUTORS "AS IS" AND ANY EXPRESS OR IMPLIED WARRANTIES, INCLUDING, BUT NOT LIMITED TO, THE IMPLIED WARRANTIES OF MERCHANTABILITY AND FITNESS FOR A PARTICULAR PURPOSE ARE DISCLAIMED. IN NO EVENT SHALL THE COPYRIGHT HOLDER OR CONTRIBUTORS BE LIABLE FOR ANY DIRECT, INDIRECT, INCIDENTAL, SPECIAL, EXEMPLARY, OR CONSEQUENTIAL DAMAGES (INCLUDING, BUT NOT LIMITED TO, PROCUREMENT OF SUBSTITUTE GOODS OR SERVICES; LOSS OF USE, DATA, OR PROFITS; OR BUSINESS INTERRUPTION) HOWEVER CAUSED AND ON ANY THEORY OF LIABILITY, WHETHER IN CONTRACT, STRICT LIABILITY, OR TORT (INCLUDING NEGLIGENCE OR OTHERWISE) ARISING IN ANY WAY OUT OF THE USE OF THIS SOFTWARE, EVEN IF ADVISED OF THE POSSIBILITY OF SUCH DAMAGE.

Warranty Disclaimer

This product contains Open Source Software components which underly Open Source Software Licenses. Please note that Open Source Licenses contain disclaimer clauses. The text of the Open Source Licenses that apply are included in this manual under "Legal Information and Licenses".