



Professional GAS 400 A

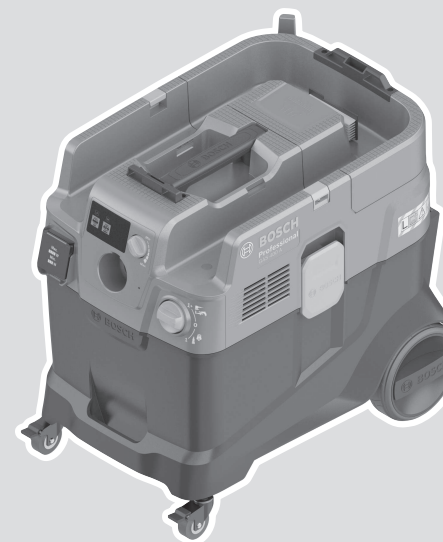
Robert Bosch Power Tools GmbH
70538 Stuttgart
GERMANY

www.bosch-pt.com

1 609 92A A5A (2024.12) T / 124



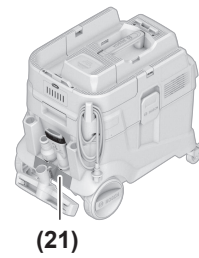
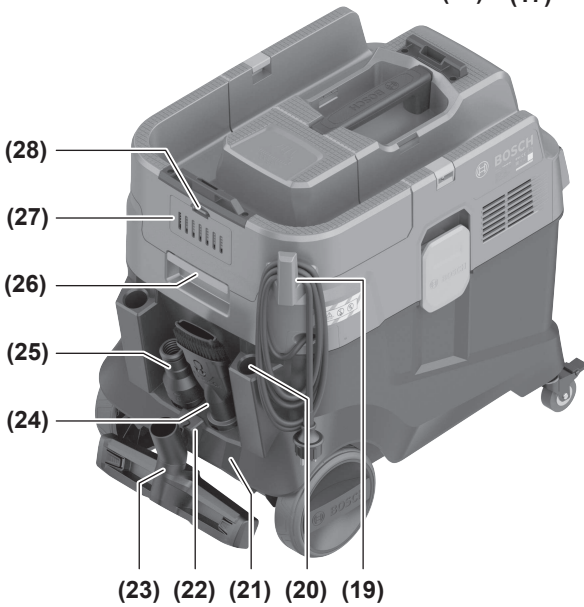
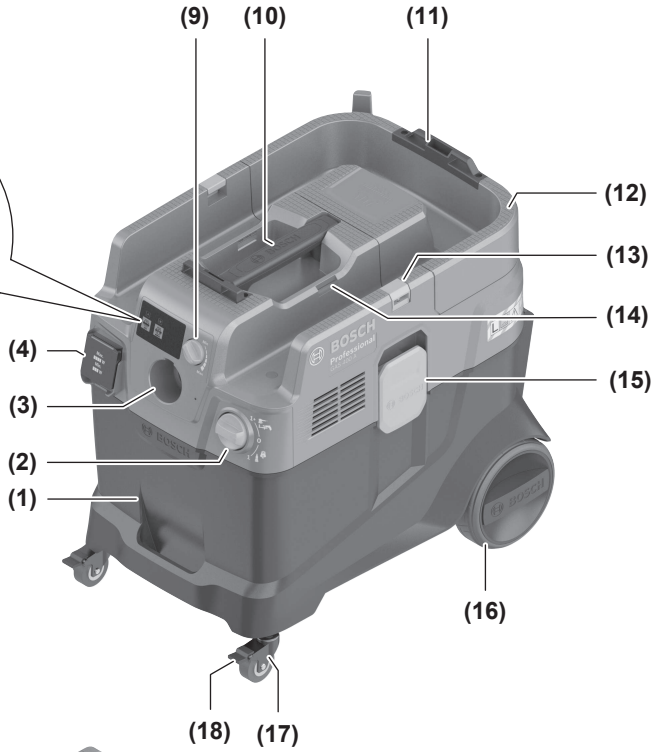
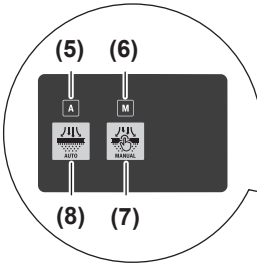
1 609 92A A5A

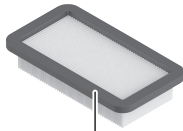


- en Original instructions
- fr Notice originale
- pt Manual original
- es Manual original
- pt Manual de instruções original
- zh 正本使用说明书
- zh 原始使用說明書
- th หนังสือคู่มือการใช้งานฉบับต้นแบบ
- id Petunjuk-Petunjuk untuk Penggunaan Orisinal
- vi Bản gốc hướng dẫn sử dụng
- ar دليل التشغيل الأصلي
- fa دفترچه راهنمای اصلی



English	Page	9
Français	Page	18
Português	Página	28
Español	Página	38
Português do Brasil	Página	48
中文	页	57
繁體中文	頁	66
ไทย	หน้า	74
Bahasa Indonesia	Halaman	83
Tiếng Việt	Trang	93
عربي	الصفحة	104
فارسی	صفحه	114





(34)



(29)



(32)



(24)



(25)



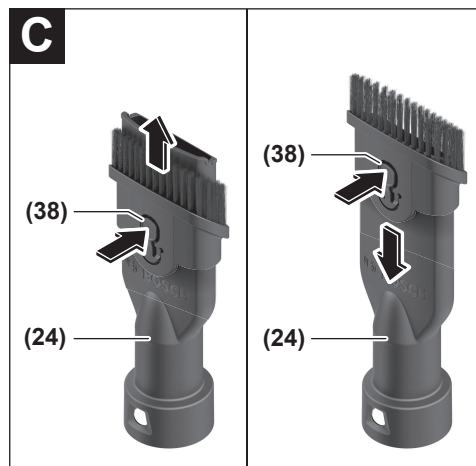
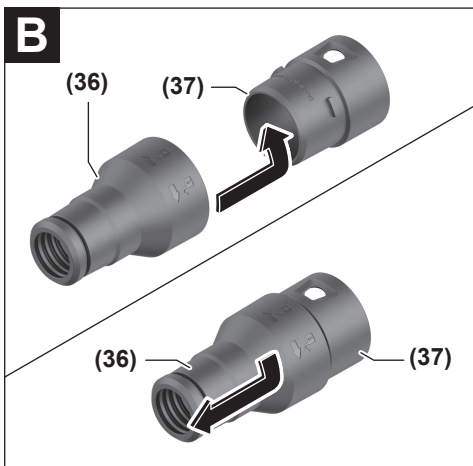
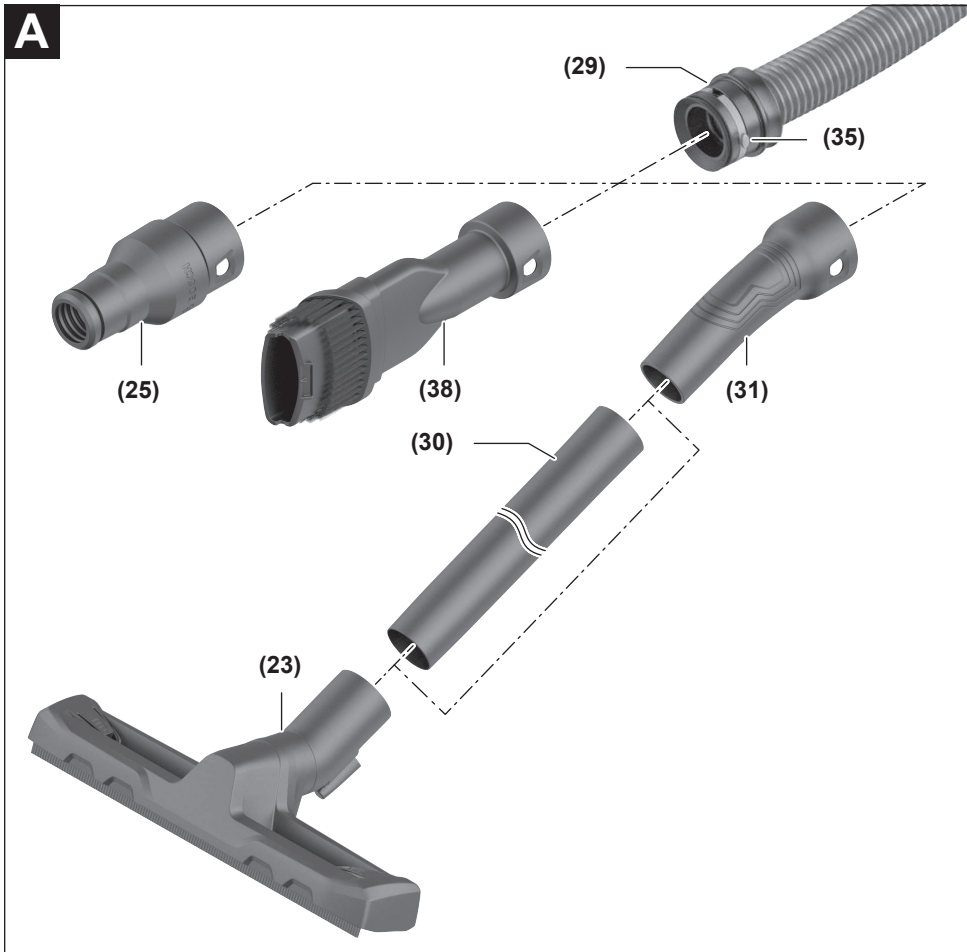
(31)

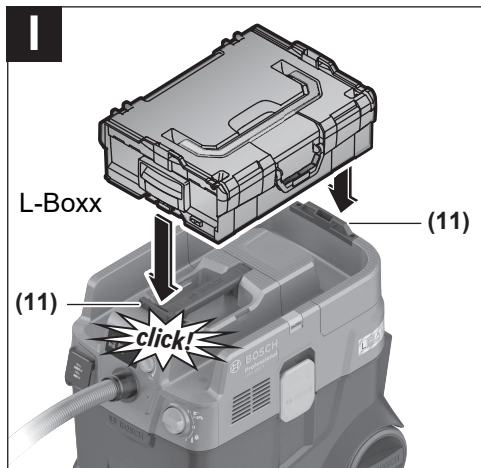
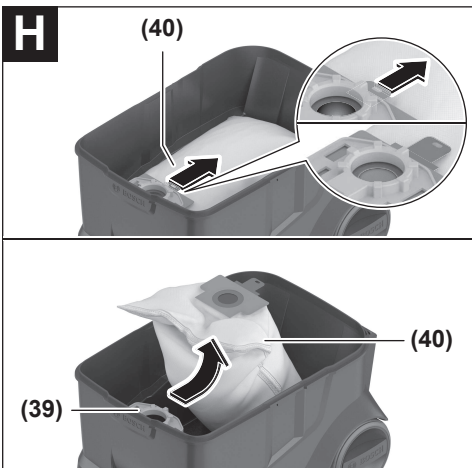
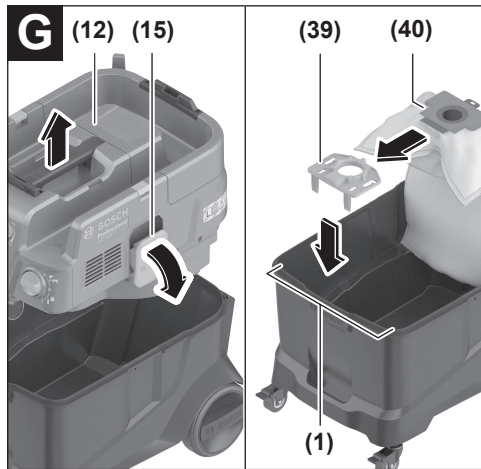
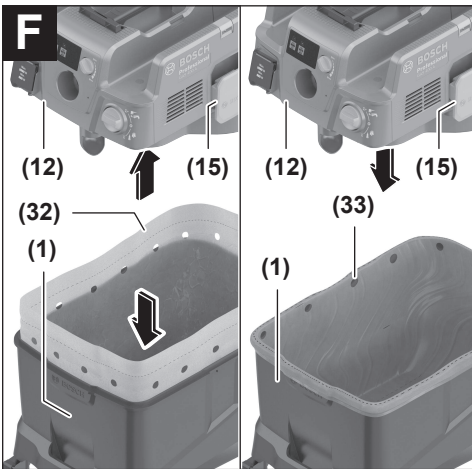
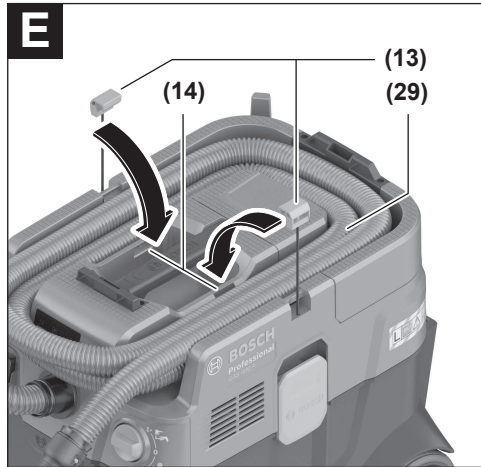
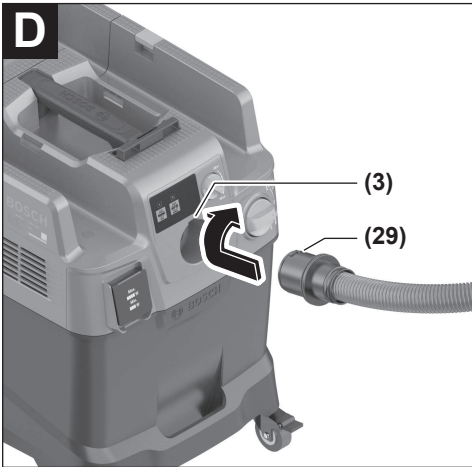


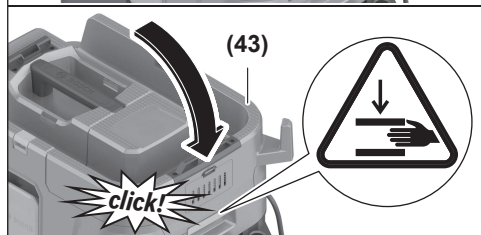
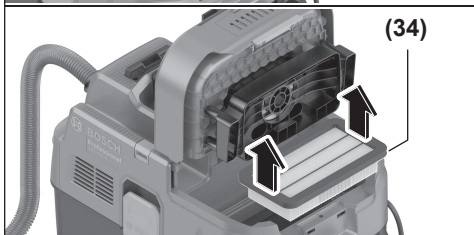
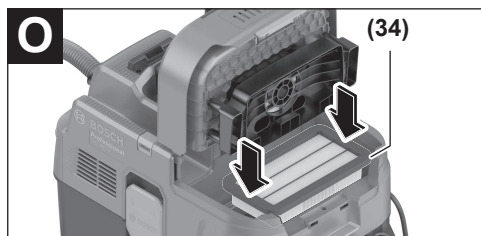
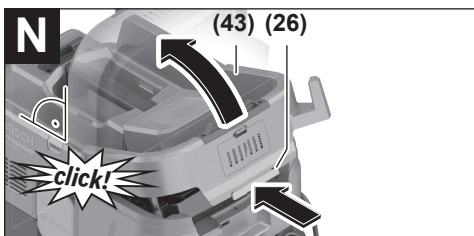
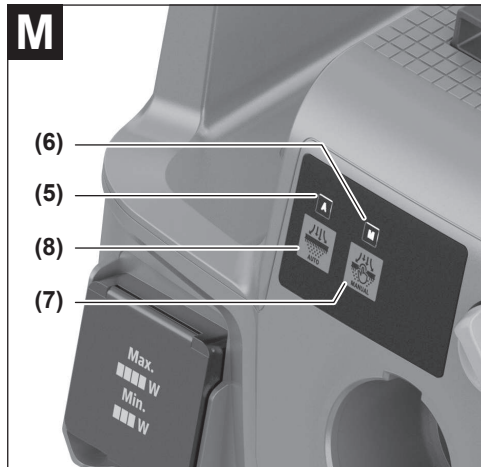
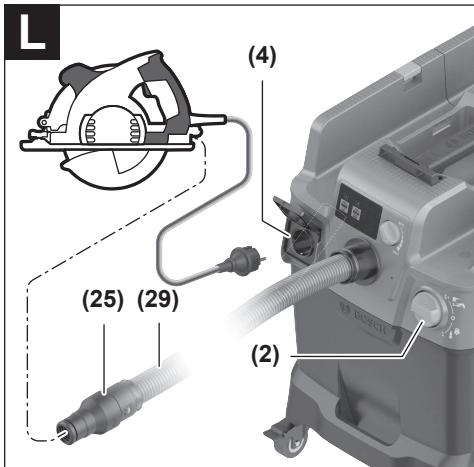
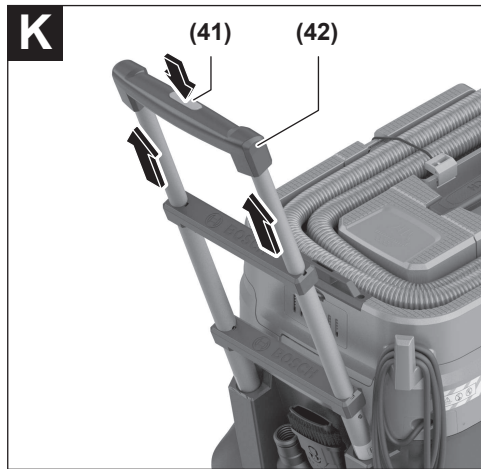
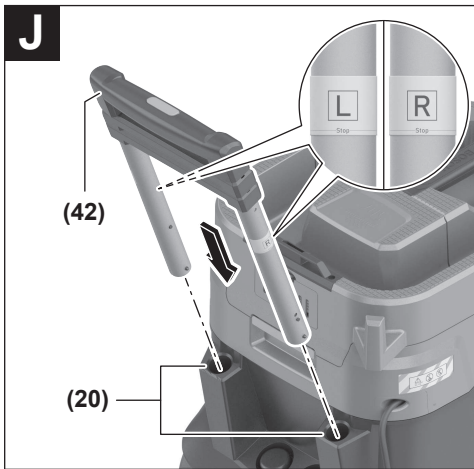
(23)

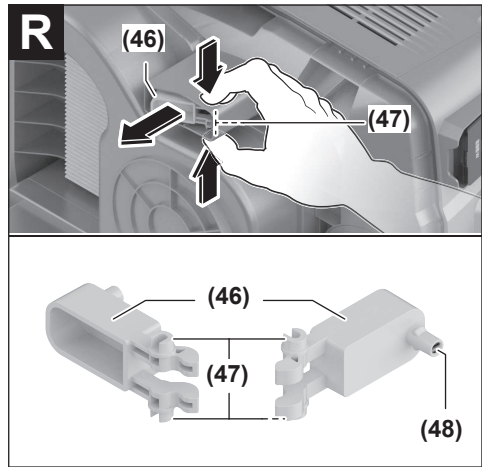
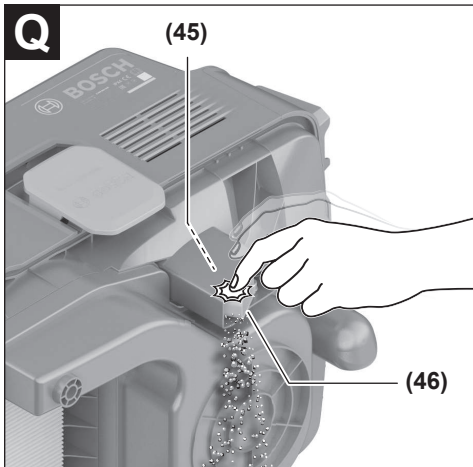
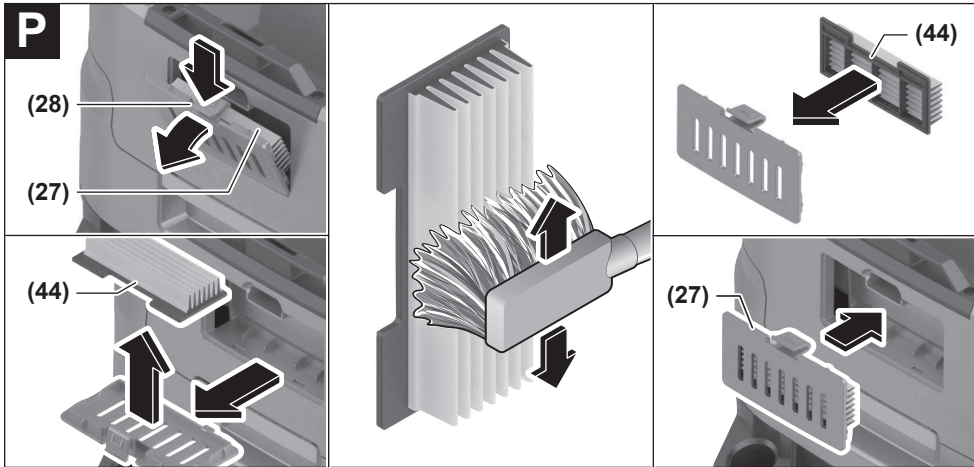


(30)









English

Safety information for vacuum cleaners



Read all the safety information and instructions. Failure to observe the safety information and follow instructions may result in electric shock, fire and/or serious injury.

Save all warnings and instructions for future reference.

► **This vacuum cleaner is not intended for use by children or persons with physical, sensory or mental impairments. It should not be used by persons who have insufficient experience and knowledge.** Otherwise, there is a risk of operating errors and injuries.

► **Supervise children.** This will ensure that children do not play with the vacuum cleaner.

► **Comply with all safety provisions for the substances being extracted.**

► **Do not vacuum beech or oak wood dust, rock dust or asbestos.** These substances are considered carcinogenic.

⚠ WARNING Only use the vacuum cleaner if you have been adequately informed about the use of the equipment, the substances to be vacuumed and how to dispose of these safely. Thorough instruction on how to use the equipment prevents accidental misuse and injuries.

⚠ WARNING The vacuum cleaner is suitable for vacuuming dry substances, and can also be used to vacuum liquids when taking appropriate measures. The penetration of liquids increases the risk of an electric shock.

► **Do not use the vacuum cleaner to vacuum combustible or explosive liquids, such as petrol, oil, alcohol or solvents. Do not vacuum hot, burning or explosive dust. Do not operate the vacuum cleaner in areas subject to explosion hazards.** Dust, vapours and liquids can ignite or explode.

⚠ WARNING Only use the socket for the purpose stipulated in the operating manual.

⚠ WARNING If you notice a foam or water leak, switch off the vacuum cleaner im-

mediately and empty the container. Otherwise, the vacuum cleaner can become damaged.

► **NOTE: The vacuum cleaner must only be stored indoors.**

► **NOTE: Clean the liquid fill level sensors regularly and check whether they are damaged.** Otherwise, the equipment may not function properly.

► **If operating the vacuum cleaner in a damp location is unavoidable, use a residual current device (RCD).** Use of an RCD reduces the risk of electric shock.

► **Always check the vacuum cleaner, cable and plug before use. Do not use the vacuum cleaner if you discover any damage. Do not open the vacuum cleaner yourself. It should be repaired exclusively by a qualified professional using only genuine spare parts.** Damaged vacuum cleaners, cables and plugs increase the risk of electric shock.

► **Do not crush the cable or run the device over it. Do not pull on the power cable to pull the plug out of the socket or to move the vacuum cleaner.** Damaged cables increase the risk of an electric shock.

► **Pull the plug out of the socket before cleaning or performing maintenance on the vacuum cleaner, making tool adjustments, changing accessories or putting away the vacuum cleaner.** This safety measure prevents the vacuum cleaner from being started accidentally.

► **Ensure that the workplace is well ventilated.**

► **The vacuum cleaner should be repaired exclusively by a qualified professional using only genuine spare parts.** This will ensure that the safety of the vacuum cleaner is maintained.

⚠ WARNING The dust extractor contains dust particles that pose a risk to health.

Emptying and maintenance procedures, including the disposal of dust containers, should only be carried out by professionals. Suitable protective equipment is required. Do not operate the vacuum cleaner unless the complete filter system is correctly inserted. Otherwise, you are putting your health at risk.

► **Before using the equipment for the first time, check that the vacuum hose is in perfect condition. Leave the vacuum hose fitted to the vacuum cleaner while doing this so that no dust escapes accidentally.** Otherwise, you may end up inhaling dust particles.

► **Do not sit on the vacuum cleaner.** You can damage the vacuum cleaner this way.

► **Take care when using the power cable and the vacuum hose.** Improper use of these can put other people at risk.

► **Do not clean the vacuum cleaner by spraying a jet of water directly at it.** Water entering the top of the vacuum cleaner will increase the risk of electric shock.

► **Connect the dust extractor to a properly earthed power supply system.** The plug socket and extension cable must have a fully functioning protective conductor.

- ▶ **Do not use the socket on the vacuum cleaner when wet vacuuming or in the humid condition.** Contact with water poses a risk of short circuit or electric shock.

Symbols

The following symbols may provide you with important information pertaining to the use of your dust extractor. Please take note of these symbols and their meaning. Knowing what these symbols mean will help you to use your extractor more effectively and more safely.

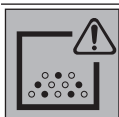
Symbols and their meaning



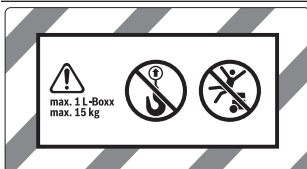
WARNING! Read all the safety and general instructions. Failure to observe the safety and general instructions may result in electric shock, fire and/or serious injury.



Dust extractor from dust class L in accordance with IEC/EN 60335-2-69 for the **dry extraction** of harmful dusts with an exposure limit of $> 1 \text{ mg/m}^3$



WARNING! The dust extractor contains dust particles that pose a risk to health. Emptying and maintenance procedures, including the disposal of dust containers, should only be carried out by professionals. Suitable protective equipment is required. Do not operate the dust extractor unless the complete filter system is correctly inserted. Otherwise, you are putting your health at risk.



**max. 1 L-Boxx
max. 15 kg**

Only attach a maximum of one L-BOXX.

The weight of the L-BOXX along with its contents must not exceed 15 kg.

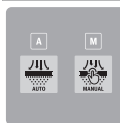


Do not hang the dust extractor on a crane hook, e.g. in order to transport it. The dust extractor is not suitable for moving with a crane. There is a risk of injury and damage if you do this.



Do not sit or stand on the dust extractor. The dust extractor may tip over and become damaged if you do this. This poses a risk of injury.

Symbols and their meaning



A

A

Automatic filter cleaning mode indicator LED

M

M

Manual filter cleaning mode indicator LED



Button for automatic filter cleaning



Button for manual filter cleaning



Automatic start/stop function

Extracts dust that accumulates from working power tools; the dust extractor switches on automatically and off again with a time delay. The plug socket on the dust extractor is constantly live.



Switching off

The plug socket on the dust extractor is without power.



Extraction

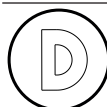
Extracting dust deposits and dust from the extraction system. The plug socket on the dust extractor is constantly live.



Min/Max

Continuous regulation of suction power:

- Maximum suction power for applications with a high level of dust generation
- Reduced suction power for applications that generate a low level of dust, and also to regulate the suction between the connected power tool and the surface of the workpiece (e.g. when sanding)



Data logging is activated in this dust extractor.

**max.
2100 W
min.
100 W**

Permitted connected load of the connected power tool (country-specific)

Product Description and Specifications

Please observe the illustrations at the beginning of this operating manual.

Intended Use

The dust extractor is intended for collecting, vacuuming, conveying and separating non-flammable dry dusts and non-flammable liquids. The dust extraction capability of the dust extractor has been tested and corresponds to dust class L. It is suitable for the increased demands in professional use, e.g. in trade, industry and workshops.

Dust extractors from dust class L in accordance with IEC/EN 60335-2-69 may only be used to vacuum and extract harmful dust with an exposure limit of $> 1 \text{ mg/m}^3$.

Only use the dust extractor if you can fully evaluate all functions and carry them out without restrictions, or if you have received corresponding instructions.

Product Features

The numbering of the product features refers to the representation of the vacuum cleaner on the graphic pages.

- (1) Container
- (2) Main switch
- (3) Hose adapter
- (4) Plug socket for power tool
- (5) Indicator LED **A**: Automatic filter cleaning mode
- (6) Indicator LED **M**: Manual filter cleaning mode
- (7) Button for manual filter cleaning
- (8) Button for automatic filter cleaning
- (9) Suction power regulator
- (10) Carrying handle
- (11) L-BOXX holder
- (12) Top part of dust extractor
- (13) Pull strap
- (14) Fastening opening
- (15) Catch for top part of dust extractor

- (16) Wheel
- (17) Castor
- (18) Castor brake
- (19) Cable holder
- (20) Guide rails for the retractable guide handle
- (21) Rear handle section
- (22) Holder for floor nozzle
- (23) Floor nozzle
- (24) Combi brush nozzle
- (25) Combi power tool adapter
- (26) Closing flap for filter cover
- (27) Pre-filter cover
- (28) Pre-filter release button
- (29) Vacuum hose
- (30) Suction tube
- (31) Curved nozzle
- (32) Plastic bag
- (33) Air passage opening
- (34) Flat-pleated filter
- (35) Vacuum hose snap fastener
- (36) PowerTool adapter (front part)
- (37) PowerTool adapter (rear part)
- (38) Combi brush nozzle release button
- (39) Fleece filter bag holder^{a)}
- (40) Fleece filter bag^{a)}
- (41) Guide handle snap fastener^{a)}
- (42) Retractable guide handle^{a)}
- (43) Filter cover for flat-pleated filter
- (44) Pre-filter
- (45) Fill level sensor
- (46) Float
- (47) Float locking mechanism
- (48) Magnet

a) **This accessory is not part of the standard scope of delivery.**

Technical data

Wet/dry extractor		GAS 400 A	GAS 400 A
Article number 3 601 JMO 020/... 0F0 ... 080/... 0E0/... 0N0 ... 0K0 ... 0L0/... 070 ... 0H0 ... 030	... 0D0/... 0G0 ... 0C0 ... 060
Rated power input	W	1200	1200
Frequency	Hz	50–60	60
Container volume (gross)	l	40	40
Net volume (dry)	l	28	26

Wet/dry extractor		GAS 400 A	GAS 400 A
Net volume (liquid)	l	20	18
Vacuum pressure ^{A)}			
– Dust extractor	hPa	200	180
– Turbine	hPa	230	200
Flow rate ^{A)}			
– Dust extractor	l/s	28	26
	m ³ /h	100,8	93,6
– Turbine	l/s	71,5	70
	m ³ /h	257	252
Dust class			
		L	L
Weight ^{B)}			
	kg	14,0	14,5
Protection class			
		⊕/I	⊕/I
Protection rating			
		IPX4	IPX4

A) Measured using a vacuum hose 4 m long and 28 mm in diameter

B) Weight without mains connection cable and without mains plug

The specifications apply to the specified rated voltages. These specifications may vary at different voltages and in country-specific models.

Values can vary depending on the product, scope of application and environmental conditions. To find out more, visit www.bosch-professional.com/wac.

Plug socket on the dust extractor

Permitted connected load of the connected power tool			
3 601 JMO ...	Rated voltage	Maximum power	Minimum power
... 020/... 0F0	230 V	2100 W	100 W
... 080/... 0E0/... 0N0	220 V	2100 W	100 W
... 0K0	220–230 V	2100 W	100 W
... 0L0/... 070	220–240 V	1660 W	100 W
... 0H0	220 V	1000 W	100 W
... 030	230 V	1100 W	100 W
... 0D0/... 0G0	127 V	705 W	100 W
... 0C0	115 V	525 W	100 W
... 060	110 V	560 W	100 W

Permitted connected load of the connected power tool.

These values can differ for other country-specific models. Please take note of the information on the socket of the dust extractor.

Noise/Vibration Information

Noise emission values determined according to **EN 60335-2-69**.

Typically the A-weighted sound pressure level of the dust extractor is **73 dB(A)**. Uncertainty $K = 2$ dB. The noise level when working can exceed the volume stated. **Wear hearing protection!**

Vibration total values a_h (tri-ax vector sum) and uncertainty K determined according to **EN 60335-2-69**:

$a_h < 2.5 \text{ m/s}^2$, $K = 1.5 \text{ m/s}^2$.

Assembly

- **Pull the plug out of the socket before cleaning or performing maintenance on the vacuum cleaner, making tool adjustments, changing accessories or putting**

away the vacuum cleaner. This safety measure prevents the vacuum cleaner from being started accidentally.

Fitting the vacuuming accessories (see figure A)

The vacuum hose (**29**) has a clip system that can be used to connect vacuuming accessories (combi power tool adapter (**25**), curved nozzle (**31**), combi brush nozzle (**24**)).

Fitting the curved nozzle

- Push the curved nozzle (**31**) onto the vacuum hose (**29**) until you hear both snap fasteners (**35**) on the vacuum hose engage.
- To remove the adapter, press the snap fasteners (**35**) inwards and pull apart the components.

Fitting the floor nozzle and tubes

- If required, place the suction tubes (30) firmly inside one another and then attach them firmly to the curved nozzle (31).
- Attach the floor nozzle (23) firmly to the suction tube (30) or the curved nozzle (31).

Fitting the combi power tool adapter

The combi power tool adapter (25) consists of the PowerTool adapter (front part) (36) and the PowerTool adapter (rear part) (37).

The combi power tool adapter (25) is compatible with Bosch power tools.

With an inner diameter of 38.5 mm and an outer diameter of 45 mm, the PowerTool adapter (rear part) (37) can be used for power tools manufactured by other brands.

Place the PowerTool adapter (front part) (36) on the PowerTool adapter (rear part) (37) and connect both adapters by twisting them in opposite directions (see figure B).

Push the combi power tool adapter (25) onto the vacuum hose (29) until you hear both push buttons (35) on the vacuum hose click into place.

To remove the adapter, press the push buttons (35) inwards and pull the combi power tool adapter out of the vacuum hose.

To separate the two adapters, loosen the connection by twisting in opposite directions and pulling the adapters apart.

Fitting the Combi Brush Nozzle

Push the combi brush nozzle (24) onto the vacuum hose (29) until you hear both push buttons (35) on the vacuum hose click into place.

To remove the adapter, press the snap fasteners (35) inwards and pull apart the components.

Adjusting the Combi Brush Nozzle (see figure C)

You can use the combi brush nozzle (24) as a crevice nozzle or brush.

Press the release button (38) and push the brush forwards to use the combi brush nozzle (24) as a brush.

Press the release button (38) and pull the brush backwards to use the combi brush nozzle (24) as a crevice nozzle.

Fitting the vacuum hose (see figure D)

Attach the vacuum hose (29) to the hose adapter (3) and turn it clockwise as far as it will go.

Note: The friction generated by the dust in the vacuum hose and accessory during extraction causes an electrostatic charge that the user may experience as static discharge (depending on environmental factors and their physiological state).

Bosch generally recommends using an anti-static vacuum hose (accessory) to vacuum up fine dust and dry materials.

Attaching the Vacuum Hose to the Dust Extractor (see figure E)

Wrap the fitted vacuum hose (29) into the compartment for the vacuum hose. Pull up both pull straps (13) and hook them into the fastening openings (14).

Inserting/removing the plastic bag (dry extraction) (see figure F)

Open both catches (15) and remove the top part of the dust extractor (12).

For dry extraction, insert a plastic bag (32) into the container (1).

Insert the plastic bag (32) into the container (1) with the inlet facing upwards.

Make sure that the plastic bag (32) touches all the inside walls of the container (1).

Fold the rest of the plastic bag (32) over the edge of the container (1). Make sure that the stop line of the plastic bag is positioned at the edge of the container and the air passage openings (33) are still in the container.

Put the top part of the vacuum cleaner (12) back on and close the vacuum cleaner using the catches (15).

► **Ensure that the dust extractor is always properly closed.**

Seal the plastic bag **before** you remove it. Hold the bag together at the top and use a cord to tie up the bag.

Inserting/Removing the Fleece Filter Bag (Dry Extraction) (see figures G-H)

A fleece filter bag (40) (accessory) must be used for the dry extraction of dust class L materials.

Insofar as materials with or without an exposure limit of $\geq 1 \text{ mg/m}^3$ (dust class L materials) are extracted, these can be sucked straight into the container.

Note: Switch off the automatic filter cleaning when using the fleece filter bag (see "Automatic/Manual Filter Cleaning (see figure M)", page 15).

⚠ WARNING The dust extractor contains dust particles that pose a risk to health.

Emptying and maintenance procedures, including the disposal of dust containers, should only be carried out by professionals. Suitable protective equipment is required. Do not operate the vacuum cleaner unless the complete filter system is correctly inserted. Otherwise, you are putting your health at risk.

Open the catches (15) and remove the top part of the dust extractor (12).

For inserting put the fleece filter bag (40) on the fleece filter bag holder (39) and insert the fleece filter bag (40) with the fleece filter bag holder (39) into the container (1).

For removing close the opening of the full fleece filter bag by pulling the catch. Pull the sealed fleece filter bag (40) out of the fleece filter bag holder (39) and remove it from the dust extractor.

Put the top part of the dust extractor (12) back on and connect the container (1) with the top part of the dust extractor (12) by closing the catches (15).

Attaching the L-Boxx (see figure I)

You can attach an L-Boxx to the top part of the dust extractor for transporting the extractor and to provide space-saving storage for extractor accessories and/or the power tool.

Attach the vacuum hose to the dust extractor (see figure E).

Click the L-Boxx onto the holders (11).

► **Do not use the dust extractor with an L-Boxx attached.**

This will raise the dust extractor's centre of gravity. The extractor may tip over. There is a risk of injury and damage if you do this.

► **Do not carry the dust extractor by the carrying handle of the attached L-Boxx.** The dust extractor is too heavy for the carrying handle of the L-Boxx. There is a risk of injury and damage if you do this.

Installing the Retractable Guide Handle (Accessory) (see figures J–K)

Note: The retractable guide handle cannot be removed. When assembling, ensure that the guide handle is aligned correctly.

Before inserting the guide handle (42), align it using the R (right) and L (left) markings.

Insert the guide handle (42) into the guide rails (20).

Press the guide handle (42) down to the stop line until the guide handle audibly clicks into place.

Press the snap fastener (41) to change the length of the guide handle (42).

Operation

- **Pull the plug out of the socket before cleaning or performing maintenance on the vacuum cleaner, making tool adjustments, changing accessories or putting away the vacuum cleaner.** This safety measure prevents the vacuum cleaner from being started accidentally.

Start-up

- **Pay attention to the mains voltage.** The voltage of the power source must correspond with the data on the type plate of the vacuum cleaner.
- **Make sure you inform yourself about the applicable regulations/laws on how to handle harmful types of dust in your country.**

The dust extractor may be used for vacuuming and extracting the following materials:

- Dusts with an exposure limit of $> 1 \text{ mg/m}^3$
- **Products that are only sold in AUS and NZ:** Use a residual current device (RCD) with a nominal residual current of 30 mA or less.

The dust extractor must categorically not be used in potentially explosive areas.

To ensure optimum suction power, you must always fully unwind the vacuum hose (29) from the top part of the dust extractor (12).

Adjusting the Suction Power

You can adjust the suction power to a continuously variable degree using the suction power regulator (9).

Set the suction power regulator (9) to maximum suction power when completing applications that generate a high level of dust.

Set the suction power regulator (9) to the reduced suction power position when completing applications that generate a low level of dust, and also to regulate the suction between the connected power tool and the surface of the workpiece (e.g. when sanding).

Plug socket on the dust extractor

- **Observe the permitted connected load of the plug socket on the dust extractor. Exceeding the maximum permitted connected load can cause the dust extractor to be overloaded. The motor protection device will be triggered.** Send the dust extractor to an authorised **Bosch** after-sales service centre.

The plug socket for power tools (4) is live as soon as the mains plug of the dust extractor is plugged into the socket and the main switch is in position 1. It can be used as an external power connection on the dust extractor, e.g. when working with extraction systems. In position 1+, the automatic start/stop feature of the dust extractor is activated. The dust extractor can be switched on remotely via the connected power tool.

Dry vacuuming

Vacuuming up dust deposits



To **switch on the dust extractor**, turn the main switch (2) to position 1.



To **switch off the dust extractor**, turn the main switch (2) to position 0.

Extracting dust that accumulates from working power tools (see figure L)

- **There must be a sufficient air exchange rate in the room when the exhaust air comes back into the room. Be aware of the corresponding national regulations.**

The dust extractor has an integrated plug socket for power tools (4), which can be used to connect an external power tool. Observe the maximum permitted load of the connected power tool.

Fit the combi power tool adapter (25) (see figure B).

Insert the combi power tool adapter (25) into the extraction outlet of the power tool.



To switch on the **automatic start/stop feature** of the dust extractor, turn the main switch (2) to position **1+**.

To **start the dust extractor**, switch on the power tool connected to the plug socket (4). The dust extractor will start automatically.

To **stop dust extraction**, switch the power tool off.

The automatic start/stop run-on function will run for up to 15 s longer in order to extract the remaining dust from the vacuum hose.



To **switch off the dust extractor**, turn the main switch (2) to position **0**.

Using the extraction system (accessory)



Connect the extraction system to the vacuum hose (29).

To **extract dust via the extraction system**, turn the main switch (2) to position **1**.

Hold the extraction system up to the wall and switch on the power tool. The negative pressure this creates causes the extraction system to stick to the wall independently.

Switch off the power tool and carefully remove the extraction system from the wall.



To **switch off the dust extractor**, turn the main switch (2) to position **0**.

Wet vacuuming

► **Do not use the vacuum cleaner to vacuum combustible or explosive liquids, such as petrol, oil, alcohol or solvents. Do not vacuum hot, burning or explosive dust. Do not operate the vacuum cleaner in areas subject to explosion hazards.** Dust, vapours and liquids can ignite or explode.

► **The vacuum cleaner must not be used as a water pump.** The vacuum cleaner is designed for vacuuming air and vacuuming water mixtures.

Note: The requirements for the degree of penetration (dust class L) have only been verified for dry vacuuming.

Before Starting Wet Extraction

Empty the container (1) and remove the plastic bag (32) or the fleece filter bag (40).

Check the fill level sensor (45) for dirt. The fill level sensor must be clean in order for the dust extractor to switch off automatically when the container is full (see "Cleaning the fill level sensor" (see figures Q–R)", page 16).

► **During wet extraction, the automatic filter cleaning function must be deactivated.**

Press the automatic filter cleaning button (8) to activate manual filter cleaning (see "Manual Filter Cleaning", page 15). This deactivates automatic filter cleaning and LED indicator A (5) goes out.

Vacuuming up liquids

⚠ WARNING If you notice a foam or water leak, **switch off the vacuum cleaner immediately and empty the container.** Otherwise, the vacuum cleaner can become damaged.

To **switch on the dust extractor**, turn the main switch (2) to position **1**.

The dust extractor is equipped with fill level sensors (45). If the maximum fill level has been reached, the dust extractor automatically switches off and the two LED indicators **A (5)** and **M (6)** flash simultaneously once a second. Restart protection is activated and can be deactivated by switching the dust extractor on and off once.

Note: Check the fill level regularly and empty the container in good time.

To **switch off the dust extractor**, turn the main switch (2) to position **0**.

Hold the container (1) in the rear handle section (21) and twist it forwards to drain the liquid.

After Wet Extraction

After wet vacuuming, always clean the fill level sensor (45) (see "Cleaning the fill level sensor" (see figures Q–R)", page 16).

To prevent mould growth after wet extraction:

- Remove the flat-pleated filter (34) and leave this to dry thoroughly.
- Remove the top part of the dust extractor (12), open the filter cover (43) and leave both elements to dry thoroughly.

Automatic/Manual Filter Cleaning (see figure M)

Automatic Filter Cleaning

Note: The automatic filter cleaning function is set to be on by default when the dust extractor is switched on.

The LED indicator **A (5)** will light up continuously.

When automatic filter cleaning is active, the flat-pleated filter (34) is cleaned every 15 s using 2 blasts of air (pulsating noise).

Regular use of the filter cleaning function will increase the service life of the filter.

In order to achieve an optimum filter service life, deactivate the automatic filter cleaning function only in exceptional cases, e.g. for wet extraction.

Manual Filter Cleaning

Press the manual filter cleaning button (7) to run manual filter cleaning. The flat-pleated filter (34) is cleaned using 2 blasts of air. The LED indicator **M (6)** will light up white for 2 s. If LED indicator **M (6)** goes out, the next blast of air can be triggered. To do this, press the manual filter cleaning button (7) again.

Note: For manual filter cleaning, please note that the time interval between each time a button is pressed should be 2–3 s. Continuously pressing the manual filter cleaning button (7) multiple times will cause the over-temperature protection of the dust extractor to be activated. The over-

temperature protection will be automatically suspended after a while (see "Rectifying Errors", page 17).

To switch off the manual filter cleaning, press the automatic filter cleaning button (8).

A flat-pleated filter with surface dirt is still fully functional. It is not necessary to clean the flat-pleated filter manually by shaking or blowing it out; this may even damage the filter.

Maintenance and Service

Maintenance and Cleaning

- ▶ **Pull the plug out of the socket before cleaning or performing maintenance on the vacuum cleaner, making tool adjustments, changing accessories or putting away the vacuum cleaner.** This safety measure prevents the vacuum cleaner from being started accidentally.
- ▶ **To ensure safe and efficient operation, always keep the dust extractor and the ventilation slots clean.**

In order to avoid safety hazards, if the power supply cord needs to be replaced, this must be done by **Bosch** or by an after-sales service centre that is authorised to repair **Bosch** power tools.

- ▶ **Wear a dust mask when servicing and cleaning the vacuum cleaner.**

Clean the housing of the dust extractor occasionally with a damp cloth.

- ▶ **Do not use compressed air to clean the dust extractor.** The filter or other components may become damaged.

At least once a year a technical inspection of the dust extractor must be carried out by the manufacturer or someone who has been trained (e.g. to check for filter damage, to check that the dust extractor is tight and that the control unit is in perfect working order).

Cleaning and maintenance after extracting hazardous substances

- All parts that may have come into contact with the hazardous substances must be considered contaminated.
- Vacuum, wipe down and seal the outside of the dust extractor thoroughly before removing it from the area containing the hazardous substances.
- Only clean, dismantle and perform maintenance on the dust extractor if this can be done without endangering yourself or other persons. Wear personal protective equipment for cleaning and maintenance tasks. Undertake the work in a well ventilated room.
- First clean the outside of the dust extractor before dismantling it.
- All parts of the dust extractor that cannot be adequately cleaned must be disposed of in impermeable bags. Please observe the applicable regulations for the disposal of such waste.
- Clean the maintenance area after completing the work.

Cleaning the container

Wipe the container (1) from time to time using a non-abrasive off-the-shelf cleaning product and leave it to dry.

Cleaning/Changing the Flat-Pleated Filter (see figures N–O)

- ▶ **Hold the filter cover by the closing flap whilst opening it, and make sure that the opened filter cover clicks into the vertical position.** There is a risk of injury if the filter cover falls down.

The suction power is dependent on the condition of the filter. Therefore, the filter should be cleaned regularly.

If the flat-pleated filter (34) becomes damaged, replace it immediately.

- Pull on the closing flap (26) and twist the filter cover (43) upwards until it clicks into the vertical position.
- Hold the flat-pleated filter (34) by the supports and take it out from above.
- Use a damp cloth to remove any dust and dirt that accrues around the edge of the container (1) when removing the flat-pleated filter (34).
- The flat-pleated filter can be rinsed out under running water.
- Insert the cleaned (or a new) flat-pleated filter (34), ensuring that it is positioned correctly and securely.
- Close the filter cover (43), ensuring you hear it click into place.

Cleaning the Pre-Filter (see figure P)

- ▶ **The pre-filter must not be wet cleaned.**
- ▶ **Do not reach between the guide handle and the dust extractor from above in order to unlock to pre-filter cover.** Otherwise, your hand might get caught.

Pull the guide handle (42) up until the pre-filter cover is freely accessible from the rear.

Press the release button (28) of the pre-filter cover (27) and take it from the pre-filter compartment.

Remove the pre-filter (44).

Brush down the flaps of the pre-filter with a soft brush.

Place the pre-filter into the pre-filter cover (27).

Place the pre-filter cover (27) into the pre-filter compartment and fold it in.

Cleaning the fill level sensor (see figures Q–R)

Pull the dust extractor's mains plug from the plug socket.

Remove the top part of the vacuum cleaner (12).

Empty the container (1).

Move the float (46) or gently tap it to remove the dirt.

Clean the floater (46) using a soft cloth.

If necessary, you can also remove the float. To do this, press the locking mechanism (47) and remove the float (46).

Clean the magnet (48) using a brush.

Reinsert the float (46).

Storage and transport

- Wrap the power cable around the cable holder (19).
- Insert the accessory into the corresponding brackets.
- Wrap the fitted vacuum hose (29) into the compartment for the vacuum hose. Pull up both pull straps (13) and hook them into the fastening openings.

- Click the L-BOXX onto the holders **(11)**.
- Remove the plastic bag/fleece filter bag as soon as it is full.
- Only ever carry the dust extractor by the carrying handle **(10)**.
- Store the dust extractor on a level surface in a dry room and secure it so that it cannot be used by unauthorised persons.
- Put the castor brake **(18)** down to hold the castors **(17)** in place.
- To make transporting the vacuum cleaner easier and gentle on the back, completely empty the container or dispose of the full plastic bag/fleece filter bag beforehand.
- Unlock the castor brake **(18)** for pushing or pulling the dust extractor.
- Only use the extended guide handle **(42)** to push or pull the dust extractor. The dust extractor must not be pulled up steps by the guide handle. The carrying handle must be used in this instance.
- When carrying the dust extractor up steps, ensure there is nobody directly behind you, in case the dust extractor should unexpectedly fall.

Rectifying Errors

- ▶ **If a fault (e.g. a filter damage) occurs, the vacuum cleaner must be switched off immediately. The fault must be repaired before resuming operation.**

Problem	Remedy
Suction turbine will not switch on.	Check the mains cable, mains plug, fuse, socket and fill level sensors (45) . The main switch (2) is set to "automatic start/stop". Set the main switch (2) to the "extraction" symbol or switch on the power tool plugged into the plug socket (4) .
The suction turbine switches off.	During wet extraction, the LED indicators A and M will flash slowly and simultaneously. Empty the container (1) . During dry extraction, the LED indicators A and M will flash quickly and simultaneously: The overload protection on the dust extractor socket is activated. Switch off the power tool.
The dust extractor shuts down.	The dust extractor is overloaded due to the maximum voltage of the dust extractor plug socket being exceeded: The motor protection device is triggered. Send the dust extractor to an authorised Bosch after-sales service centre.
The suction turbine will not switch on again after the container has been emptied.	Switch the dust extractor off and wait 5 s before switching it back on. Clean the fill level sensors (45) and the space between the fill level sensors (45) using a brush.
The suction power is decreasing.	Remove any blockages from the vacuum nozzle, suction tube, vacuum hose (29) or flat-pleated filter (34) . Change the plastic bag (32) /fleece filter bag (40) . Make sure the filter cover (43) is engaged correctly. Place the top part of the vacuum cleaner (12) on correctly and close the catches (15) . Change the flat-pleated filter (34) .
Dust is escaping during extraction	Check that the flat-pleated filter (34) has been fitted correctly. Change the flat-pleated filter (34) .
Automatic switch-off (wet extraction) is not working.	Clean the fill level sensors (45) and the space between the fill level sensors (45) using a brush. Check the fill level regularly.
The automatic filter cleaning function is not working.	Switch to manual mode by pressing the manual filter cleaning button (7) . If the problem persists, contact an authorised Bosch after-sales service centre.
Manual filter cleaning cannot be triggered.	Over-temperature protection of the dust extractor is activated. Pressing the manual filter cleaning button (7) continuously ten times has triggered the over-temperature protection. The over-temperature protection will be automatically suspended after 20 s.

Problem	Remedy
	Pressing the manual filter cleaning button (7) continuously 30 times has triggered the over-temperature protection. The over-temperature protection will be automatically suspended after 4 min. If the problem persists, contact an authorised Bosch after-sales service centre.
The automatic filter cleaning function is not activated.	Contact an authorised Bosch after-sales service centre.

After-Sales Service and Application Service

Our after-sales service responds to your questions concerning maintenance and repair of your product as well as spare parts. You can find explosion drawings and information on spare parts at: www.bosch-pt.com

The Bosch product use advice team will be happy to help you with any questions about our products and their accessories.

In all correspondence and spare parts orders, please always include the 10-digit article number given on the nameplate of the product.

Malaysia

Robert Bosch Sdn. Bhd. (220975-V) PT/SMY
No. 8A, Jalan 13/6
46200 Petaling Jaya
Selangor
Tel.: (03) 79663194
Toll-Free: 1800 880188
Fax: (03) 79583838
E-Mail: kiathoe.chong@my.bosch.com
www.bosch-pt.com.my

You can find further service addresses at:

www.bosch-pt.com/serviceaddresses

Disposal

The vacuum cleaner, its accessories and packaging should be recycled in an environmentally friendly manner.



Do not dispose of the vacuum cleaner along with household waste.

Français

Consignes de sécurité pour les aspirateurs



Lisez attentivement toutes les instructions et consignes de sécurité. Le non-respect des instructions et consignes de sécurité peut provoquer un choc électrique, un incendie et/ou entraîner de graves blessures.

Conservez tous les avertissements et toutes les instructions pour pouvoir s'y reporter ultérieurement.

► **Cet aspirateur n'est pas conçu pour être utilisé par des enfants ni par des personnes souffrant d'un handicap physique, sensoriel ou mental ou manquant d'expérience ou de connaissances.** Il y a sinon risque de blessures et d'utilisation inappropriée.

► **Ne laissez pas les enfants sans surveillance.** Faites en sorte que les enfants ne jouent pas avec l'aspirateur.

► **Observez toutes les consignes de sécurité relatives aux matières à aspirer.**

► **N'aspirez pas des poussières de hêtre ou de chêne, ni des poussières minérales ou d'amiante.** Ces matières sont considérées comme cancérogènes.

AVERTISSEMENT Ne mettez en marche l'aspirateur qu'après vous être suffisamment informé sur son utilisation, sur la nature des matières à aspirer et sur la façon de les éliminer en toute sécurité. Une initiation approfondie sur son utilisation réduit le risque de mauvaise manipulation et de blessure.

AVERTISSEMENT L'aspirateur est conçu pour l'aspiration de matières sèches et aussi de liquides, moyennant certaines mesures. La pénétration de liquides dans l'appareil ou tout contact avec des liquides augmente le risque de choc électrique.

► **N'utilisez pas cet aspirateur pour aspirer des liquides inflammables ou explosifs, tels que essence, huiles, alcool, solvants. N'aspirez pas de poussières très chaudes, incandescentes ou explosives. N'utilisez pas l'aspirateur dans des locaux à atmosphère explosive.** Les poussières, vapeurs ou liquides risquent de s'enflammer ou d'exploser.

AVERTISSEMENT N'utilisez la prise de courant que pour les usages mentionnés dans la présente notice.

⚠ AVERTISSEMENT Arrêtez immédiatement l'aspirateur dès que de la mousse ou de l'eau en ressort et videz la cuve.

L'aspirateur risque sinon d'être endommagé.

- ▶ **ATTENTION ! Ne rangez l'aspirateur qu'en intérieur.**
- ▶ **ATTENTION ! Nettoyez régulièrement les capteurs de niveau de liquide et vérifiez alors qu'ils ne sont pas endommagés.** Il y a sinon risque de dysfonctionnement.
- ▶ **Si l'utilisation de l'aspirateur dans un environnement humide ne peut pas être évitée, utilisez un disjoncteur différentiel.** L'utilisation d'un disjoncteur différentiel réduit le risque de choc électrique.
- ▶ **Avant chaque utilisation, vérifiez l'état de l'aspirateur, de la fiche et du cordon d'alimentation. N'utilisez pas l'aspirateur si des défauts sont constatés. N'ouvrez pas l'aspirateur vous-même. Confiez-le pour réparation à un professionnel qualifié utilisant seulement des pièces de rechange d'origine.** Un aspirateur, un câble et/ou une fiche endommagés augmentent le risque d'un choc électrique.
- ▶ **Veillez à ne pas écraser ou coincer le câble. Ne tirez pas sur le câble pour l'extraire de la prise électrique ou pour déplacer l'aspirateur.** Un câble endommagé augmente le risque de choc électrique.
- ▶ **Débranchez le cordon de la prise électrique avant de nettoyer l'aspirateur, d'effectuer des réglages, de changer d'accessoire ou de ranger l'aspirateur.** Cette mesure de précaution prévient toute mise en marche intempestive de l'aspirateur.
- ▶ **Veillez à bien aérer la zone de travail.**
- ▶ **Ne confiez la réparation de l'aspirateur qu'à un professionnel qualifié utilisant seulement des pièces de rechange d'origine.** Ceci est indispensable pour préserver la sécurité de fonctionnement de l'aspirateur.

⚠ AVERTISSEMENT L'aspirateur contient des poussières nuisibles à la santé. Confiez son vidage, son entretien et le retrait du bac collecteur de poussière à un professionnel qualifié. Le port d'équipements de protection appropriés est obligatoire. N'utilisez l'aspirateur qu'avec le système de filtration complet et bien en place. Vous mettriez sinon votre santé en danger.

L'aspirateur contient des poussières nuisibles à la santé. Confiez son vidage, son entretien et le retrait du bac collecteur de poussière à un professionnel qualifié. Le port d'équipements de protection appropriés est obligatoire. N'utilisez l'aspirateur qu'avec le système de filtration complet et bien en place. Vous mettriez sinon votre santé en danger.

- ▶ **Avant de mettre en marche l'aspirateur, assurez-vous du bon état du tuyau d'aspiration. Laissez alors le tuyau d'aspiration raccordé à l'aspirateur pour éviter que de la poussière ne sorte involontairement.** Vous risqueriez sinon d'aspirer de la poussière.
- ▶ **Ne vous asseyez jamais sur l'aspirateur.** Vous risqueriez d'endommager l'aspirateur.
- ▶ **Soyez prudent lors de l'utilisation du cordon d'alimentation et du tuyau d'aspiration.** Vous pourriez sinon mettre en danger d'autres personnes.
- ▶ **Ne dirigez jamais un jet d'eau directement sur l'aspirateur pour le nettoyer.** Toute pénétration d'eau à l'intérieur de la partie supérieure de l'aspirateur augmente le risque de choc électrique.

- ▶ **Branchez l'aspirateur sur une prise électrique correctement reliée à la terre.** La prise électrique et la rallonge doivent posséder un conducteur de mise à la terre.
- ▶ **N'utilisez pas la prise électrique de l'aspirateur lors de l'aspiration de liquides ou dans des environnements humides.** Il y a risque de court-circuit ou de choc électrique si elle venait à entrer en contact avec de l'eau.

Symboles

Les symboles suivants peuvent être importants pour l'utilisation de votre aspirateur. Veuillez mémoriser ces symboles et leur signification. Une bonne connaissance des symboles vous permettra d'utiliser l'aspirateur au mieux et en toute sécurité.

Symboles et leur signification



AVERTISSEMENT ! Lisez attentivement toutes les instructions et consignes de sécurité. Le non-respect des instructions et consignes de sécurité peut provoquer un choc électrique, un incendie et/ou entraîner de graves blessures.



Aspirateur conforme à la classe de filtration L selon CEI/EN 60335-2-69 conçu pour l'**aspiration à sec** de poussières nuisibles à la santé avec une valeur limite d'exposition > 1 mg/m³



AVERTISSEMENT ! L'aspirateur contient des poussières nuisibles à la santé. Confiez son vidage, son entretien et le retrait du bac collecteur de poussière à un professionnel qualifié. Le port d'équipements de protection appropriés est obligatoire. N'utilisez l'aspirateur qu'avec le système de filtration complet et bien en place. Vous mettriez sinon votre santé en danger.



**max. 1 L-Boxx
max. 15 kg**

Ne clipsez pas plus d'un coffret L-BOXX.

Le poids du coffret L-BOXX et de son contenu ne doit pas dépasser 15 kg.

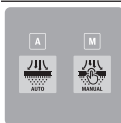


N'accrochez pas l'aspirateur à un palan, un crochet de grue ou autre pour le transporter. L'aspirateur n'est pas grutable. Il y a alors risque de blessure et de dommage matériel.

Symboles et leur signification



Ne vous asseyez jamais sur l'aspirateur et ne l'utilisez pas comme marchepied ou tabouret. L'aspirateur risque de basculer et d'être endommagé. Il y a risque de blessure.



A

A

Indicateur LED Mode nettoyage de filtre automatique

M

M

Indicateur LED Mode nettoyage de filtre manuel



Touche Nettoyage de filtre automatique



Touche Nettoyage de filtre manuel

**Mise en marche/arrêt automatique**

Aspiration des poussières produites par les outils électroportatifs pendant leur utilisation

L'aspirateur se met en marche automatiquement et s'arrête de façon différée.

La prise électrique de l'aspirateur est en permanence sous tension.

**Arrêt**

La prise électrique de l'aspirateur est hors tension.

**Aspiration**

Aspiration des poussières qui se sont déposées et des poussières du système d'aspiration.

La prise électrique de l'aspirateur est en permanence sous tension.

**Min/Max**

Réglage en continu de la force d'aspiration :

- Puissance d'aspiration maximale pour les applications générant beaucoup de poussière
- Puissance d'aspiration réduite pour les applications générant peu de poussière et pour réguler la force d'aspiration entre l'outil électroportatif raccordé et la surface de la pièce (p. ex. lors de ponçages)

Symboles et leur signification



Le protocole de données est activé sur cet aspirateur.

max.
2100 W
min.
100 W

Indication de la puissance maximale admissible de l'outil électroportatif raccordé (diffère selon les pays)

Description du produit et des prestations

Veuillez tenir compte des illustrations dans la partie avant de la notice d'utilisation.

Utilisation conforme

L'aspirateur est conçu pour la collecte, l'aspiration, l'évacuation et la séparation de poussières sèches ininflammables et de liquides ininflammables. L'aspirateur a été testé et reconnu conforme à la classe de filtration L. Il est destiné aux applications professionnelles exigeantes, sur les chantiers, dans l'industrie et dans les ateliers.

Les aspirateurs conformes à la classe de filtration L selon CEI/EN 60335-2-69 ne doivent être utilisés que pour l'aspiration à sec de poussières nuisibles à la santé avec une valeur limite d'exposition > 1 mg/m³.

N'utilisez l'aspirateur qu'après vous être familiarisé avec toutes ses fonctions ou après avoir été initié à son utilisation.

Éléments constitutifs

La numérotation des éléments se réfère à la représentation de l'aspirateur dans les pages graphiques.

- (1) Cuve
- (2) Interrupteur principal
- (3) Orifice de raccordement du flexible
- (4) Prise électrique pour outil électroportatif
- (5) Indicateur LED **A** Mode nettoyage de filtre automatique
- (6) Indicateur LED **M** Mode nettoyage de filtre manuel
- (7) Touche Nettoyage de filtre manuel
- (8) Touche Nettoyage de filtre automatique
- (9) Sélecteur de puissance d'aspiration
- (10) Poignée de transport
- (11) Fixation pour coffret L-BOXX
- (12) Partie supérieure de l'aspirateur
- (13) Sangle
- (14) Ouverture de fixation
- (15) Patte de fermeture de la partie supérieure de l'aspirateur
- (16) Roue fixe

- | | |
|--|--|
| <ul style="list-style-type: none"> (17) Roue pivotante (18) Frein de roue pivotante (19) Fixe-câble (20) Glissières de la poignée-étrier télescopique (21) Zone de préhension arrière (22) Fixation pour suceur pour sols (23) Suceur pour sols (24) Suceur-brosse combiné (25) Adaptateur d'aspiration combiné (pour outil électro-portatif) (26) Patte de fermeture du couvre-filtre (27) Cache du préfiltre (28) Touche de déverrouillage du préfiltre (29) Flexible d'aspiration (30) Tube d'aspiration (31) Coude d'aspiration (32) Sac plastique | <ul style="list-style-type: none"> (33) Orifice de circulation d'air (34) Filtre plissé plat (35) Bouton-pression du flexible d'aspiration (36) Adaptateur PowerTool (partie avant) (37) Adaptateur PowerTool (partie arrière) (38) Touche de déverrouillage du suceur-brosse combiné (39) Support de sac-filtre en non-tissé^{a)} (40) Sac-filtre en non-tissé^{a)} (41) Bouton-pression de la poignée-étrier^{a)} (42) Poignée-étrier escamotable^{a)} (43) Couvre-filtre du filtre plissé plat (44) Préfiltre (45) Capteur de niveau de remplissage (46) Flotteur (47) Verrouillage du flotteur (48) Aimant |
|--|--|

a) Ces accessoires ne sont pas compris dans la fourniture.

Caractéristiques techniques

Aspirateur eau et poussière		GAS 400 A	GAS 400 A
Référence 3 601 JMO 020/... 0F0 ... 080/... 0E0/... 0N0 ... 0K0 ... 0L0/... 070 ... 0H0 ... 030	... 0D0/... 0G0 ... 0C0 ... 060
Puissance absorbée nominale	W	1 200	1 200
Fréquence	Hz	50-60	60
Contenance (brute) de la cuve	l	40	40
Contenance nette (matières sèches)	l	28	26
Contenance nette (liquides)	l	20	18
Dépression ^{A)}			
- Aspirateur	hPa	200	180
- Turbine	hPa	230	200
Débit ^{A)}			
- Aspirateur	l/s	28	26
	m ³ /h	100,8	93,6
- Turbine	l/s	71,5	70
	m ³ /h	257	252
Classe de filtration		L	L
Poids ^{B)}	kg	14,0	14,5
Classe de protection		⊕/I	⊕/I

Aspirateur eau et poussière	GAS 400 A	GAS 400 A
Indice de protection	IPX4	IPX4

A) mesurée avec tuyau d'aspiration de Ø 28 mm et de 4 m de longueur

B) Poids sans cordon d'alimentation ni fiche mâle

Les données sont valables pour les tensions nominales indiquées. Elles peuvent varier lorsque les tensions diffèrent de ces valeurs et pour les versions destinées à certains pays.

Les valeurs peuvent varier selon le produit, les conditions d'utilisation et les conditions ambiantes. Pour plus d'informations, rendez-vous sur www.bosch-professional.com/wac.

Prise électrique de l'aspirateur

Puissance maximale admissible de l'outil électroportatif raccordé			
3 601 JMO ...	Tension nominale	Puissance maximale	Puissance minimale
... 020/... 0F0	230 V	2 100 W	100 W
... 080/... 0E0/... 0N0	220 V	2 100 W	100 W
... 0K0	220-230 V	2 100 W	100 W
... 0L0/... 070	220-240 V	1 660 W	100 W
... 0H0	220 V	1 000 W	100 W
... 030	230 V	1 100 W	100 W
... 0D0/... 0G0	127 V	705 W	100 W
... 0C0	115 V	525 W	100 W
... 060	110 V	560 W	100 W

Indication de la puissance maximale admissible de l'outil électroportatif raccordé.

Pour les modèles vendus dans d'autres pays, ces valeurs peuvent différer. Référez-vous aux indications qui se trouvent sur la prise de l'aspirateur.

Informations sur le niveau sonore/les vibrations

Valeurs d'émissions sonores déterminées conformément à **EN 60335-2-69**.

Le niveau de pression acoustique en dB(A) typique de l'aspirateur est de **73 dB(A)**. Incertitude K = **2 dB**. Le niveau sonore peut dépasser les valeurs indiquées pendant l'utilisation de l'outil. **Portez un casque antibruit !**

Valeurs globales de vibration a_h (somme vectorielle sur les trois axes) et incertitude K conformément à **EN 60335-2-69** :

$a_h < 2,5 \text{ m/s}^2$, $K = 1,5 \text{ m/s}^2$.

Montage

► **Débranchez le cordon de la prise électrique avant de nettoyer l'aspirateur, d'effectuer des réglages, de changer d'accessoire ou de ranger l'aspirateur.** Cette mesure de précaution prévient toute mise en marche intempestive de l'aspirateur.

Montage des accessoires d'aspiration (voir figure A)

Le flexible d'aspiration **(29)** est pourvu d'un système de clipage permettant le raccordement des accessoires d'aspiration (adaptateur d'aspiration combiné **(25)**, coude d'aspiration **(31)**, suceur-broche combiné **(24)**).

Montage du coude d'aspiration

- Emboîtez le coude d'aspiration **(31)** sur le flexible d'aspiration **(29)** jusqu'à ce que les deux boutons poussoirs **(35)** s'enclenchent de manière audible.
- Pour le retirer, appuyez sur les boutons-pressions **(35)** et tirez.

Montage du suceur pour sols et des tubes

- Emboîtez en cas de besoin les tubes d'aspiration **(30)** l'un dans l'autre puis dans le coude d'aspiration **(31)**.
- Emboîtez fermement le suceur pour sols **(23)** sur le tube d'aspiration **(30)** ou le coude d'aspiration **(31)**.

Montage de l'adaptateur d'aspiration combiné

L'adaptateur d'aspiration combiné **(25)** est constitué de l'adaptateur PowerTool (partie avant) **(36)** et de l'adaptateur PowerTool (partie arrière) **(37)**.

L'adaptateur d'aspiration combiné **(25)** est compatible avec les outils électroportatifs Bosch.

Avec son diamètre intérieur de 38,5 mm et son diamètre extérieur de 45 mm, l'adaptateur PowerTool (partie arrière) **(37)** est aussi utilisable pour les outils électroportatifs d'autres fabricants.

Emboîtez l'adaptateur PowerTool (partie avant) **(36)** sur l'adaptateur PowerTool (partie arrière) **(37)** et raccordez les deux adaptateurs l'un à l'autre en les tournant dans le sens opposé (voir figure B).

Emboîtez l'adaptateur d'aspiration combiné **(25)** sur le flexible d'aspiration **(29)** jusqu'à ce que les deux boutons-pressions **(35)** de l'adaptateur d'aspiration s'enclenchent de manière audible.

Pour le retrait, appuyez sur les boutons-pressions (35) et séparez l'adaptateur d'aspiration combiné du flexible d'aspiration.

Pour séparer les deux adaptateurs, tournez-les dans le sens opposé et déboîtez-les.

Montage du suceur-brosse combiné

Emboîtez le suceur-brosse combiné (24) sur le flexible d'aspiration (29) jusqu'à ce que les deux boutons poussoirs (35) s'enclenchent de manière audible.

Pour le retirer, appuyez sur les boutons-pressions (35) et tirez.

Réglage du suceur-brosse combiné (voir figure C)

Vous pouvez utiliser le suceur-brosse combiné (24) comme suceur droit ou comme brosse.

Pour utiliser le suceur-brosse combiné (24) comme brosse, appuyez sur la touche de déverrouillage (38) et poussez la brosse vers l'avant.

Pour utiliser le suceur-brosse combiné (24) comme suceur droit, appuyez sur la touche de déverrouillage (38) et tirez la brosse vers l'arrière.

Montage du tuyau d'aspiration (voir figure D)

Emboîtez le tuyau d'aspiration (29) sur le raccord (3) et tournez-le à fond dans le sens horaire.

Remarque : Lors de l'aspiration, le frottement de la poussière contre les parois du tuyau d'aspiration et de l'accessoire génère des charges électrostatiques pouvant donner lieu à des décharges électrostatiques plus ou moins gênantes pour l'utilisateur (dépend des conditions environnementales et de la sensibilité corporelle de chacun). Bosch recommande pour cette raison l'utilisation d'un tuyau d'aspiration antistatique (accessoire) pour l'aspiration de poussières fines et de matières sèches.

Fixation du flexible d'aspiration à l'aspirateur (voir figure E)

Enroulez le flexible d'aspiration (29) raccordé dans le logement de l'aspirateur prévu à cet effet. Tirez les deux sangles (13) vers le haut et accrochez-les au niveau des ouvertures de fixation (14).

Mise en place/retrait d'un sac plastique (aspiration de matières sèches) (voir figure F)

Ouvrez les deux pattes de fermeture (15) et retirez la partie supérieure de l'aspirateur (12).

Pour l'aspiration de matières sèches, insérez un sac plastique (32) dans la cuve (1).

Insérez le sac plastique (32) dans la cuve (1) avec l'ouverture de remplissage orientée vers le haut.

Faites en sorte que le sac plastique (32) épouse bien tout l'intérieur de la cuve (1).

Rabattez le reste du sac plastique (32) au-dessus du bord de la cuve (1). Veillez à ce que la ligne de butée du sac plastique se trouve au niveau du bord de la cuve et à ce que les orifices de circulation d'air (33) se trouvent dans la cuve.

Remettez en place la partie supérieure de l'aspirateur (12) et fermez les pattes de fermeture (15).

► **Assurez-vous que l'aspirateur est hermétiquement fermé.**

Fermez le sac plastique **avant** de le retirer. Tenez le sac à son extrémité supérieure et nouez-le avec un lien.

Mise en place/retrait du sac-filtre en non-tissé (aspiration de matières sèches) (voir figures G–H)

Pour l'aspiration de matières sèches de la classe L, il est possible d'utiliser un sac-filtre en non-tissé (40) (accessoire).

Les matières avec valeur limite d'exposition $\geq 1 \text{ mg/m}^3$ (conformes à la classe de filtration L) peuvent être aspirées directement dans la cuve.

Remarque : Lors de l'utilisation d'un sac-filtre en non-tissé, désactivez le nettoyage de filtre automatique (voir « Nettoyage de filtre automatique/manual (voir figure M) », Page 25).

⚠ AVERTISSEMENT

L'aspirateur contient des poussières nuisibles à la santé. Confiez son vidage, son entretien et le retrait du bac collecteur de poussière à un professionnel qualifié. Le port d'équipements de protection appropriés est obligatoire. N'utilisez l'aspirateur qu'avec le système de filtration complet et bien en place. Vous mettriez sinon votre santé en danger.

Ouvrez les pattes de fermeture (15) et retirez la partie supérieure de l'aspirateur (12).

Pour la mise en place, placez le sac-filtre en non-tissé (40) sur le support de sac-filtre en non-tissé (39) et logez le sac-filtre (40) avec son support (39) dans la cuve (1).

Pour le retrait, fermez l'ouverture du sac-filtre plein en tirant sur la languette. Dégagez le sac-filtre fermé (40) du support de sac-filtre (39) et sortez-le de l'aspirateur.

Remettez en place la partie supérieure (12) de l'aspirateur et fermez les clips de fermeture (15) pour réunir la cuve (1) et la partie supérieure (12).

Clipsage d'un coffret L-BOXX (voir figure I)

Pour ranger et transporter des accessoires de l'aspirateur et/ou un outil électroportatif, vous pouvez clipser un coffret L-BOXX sur la partie supérieure de l'aspirateur.

Fixez le flexible d'aspiration à l'aspirateur (voir figure E).

Clipsez le coffret L-BOXX sur les fixations (11).

► **N'utilisez pas l'aspirateur quand un coffret L-BOXX est clipsé.** En présence d'un coffret L-BOXX, le centre de gravité de l'aspirateur est plus haut que la normale. L'aspirateur risque de basculer. Il y a alors risque de blessure et de dommage matériel.

► **Ne portez pas l'aspirateur par la poignée du coffret L-BOXX clipsé.** La poignée du coffret L-BOXX n'est pas prévue pour supporter le poids de l'aspirateur. Il y a alors risque de blessure et de dommage matériel.

Montage de la poignée-étrier escamotable (accessoire) (voir figures J-K)

Remarque : La poignée-étrier escamotable n'est pas démon- table. Veillez lors du montage à bien orienter la poignée- étrier.

Avant de procéder au montage, vérifiez l'orientation de la poignée-étrier (42) au moyen des marquages **R** (droite) et **L** (gauche).

Insérez la poignée-étrier (42) dans les glissières (20).

Poussez la poignée-étrier (42) vers le bas jusqu'à ce qu'elle s'enclenche de manière audible.

Pour modifier la longueur de la poignée-étrier (42), appuyez sur le bouton-pression (41).

Utilisation

► **Débranchez le cordon de la prise électrique avant de nettoyer l'aspirateur, d'effectuer des réglages, de changer d'accessoire ou de ranger l'aspirateur.** Cette mesure de précaution prévient toute mise en marche in- tempestive de l'aspirateur.

Mise en marche

- **Tenez compte de la tension secteur !** La tension du sec- teur doit correspondre aux indications se trouvant sur la plaque signalétique de l'aspirateur.
- **Informez-vous sur les directives/lois en vigueur dans votre pays concernant l'exposition aux poussières nocives à la santé.**

L'aspirateur peut être utilisé pour aspirer les matériaux sui- vants :

– Poussières avec une valeur limite d'exposition > 1 mg/m³
N'utilisez jamais l'aspirateur dans des pièces ou locaux pré- sentant des risques d'explosion.

Pour disposer de la capacité d'aspiration maximale, déroulez toujours complètement le tuyau d'aspiration (29) de la partie supérieure de l'aspirateur (12).

Réglage de la puissance d'aspiration

Le sélecteur de puissance d'aspiration (9) permet de faire varier en continu la puissance d'aspiration.

Pour les applications générant beaucoup de poussière, ré- glez le sélecteur (9) sur la puissance d'aspiration maximale . Pour les applications générant peu de poussière et pour ré- guler la puissance d'aspiration entre l'outil électroportatif raccordé et la surface de la pièce (p. ex. lors de ponçages), placez le sélecteur (9) sur la position pour puissance d'aspi- ration réduite.

Prise électrique de l'aspirateur

► **Respectez la puissance de raccordement admissible de la prise électrique de l'aspirateur. Tout dépasse- ment de la puissance de raccordement maximale ad- missible peut conduire à une surcharge de l'aspira- teur. Le disjoncteur de protection du moteur se dé- clenche.** Envoyez l'aspirateur à un centre de Service Après-Vente **Bosch** agréé.

Après avoir branché le cordon d'alimentation de l'aspirateur dans une prise secteur, la prise électrique pour outils électroportatifs (4) est sous tension dès que l'interrupteur principal est placé dans la position **1**. Elle peut être utilisée comme prise électrique externe, p. ex. lors de travaux avec des systèmes d'aspiration. Dans la position **1+**, la fonction de mise en marche/arrêt automatique de l'aspirateur est ac- tive. L'aspirateur se met alors en marche automatiquement, en même temps que l'outil électroportatif raccordé.

Aspiration de matières sèches

Aspiration de poussières déposées



Pour **mettre en marche** l'aspirateur, placez l'interrupteur principal (2) dans la position **1**.



Pour **arrêter** l'aspirateur, placez l'interrupteur principal (2) dans la position **0**.

Aspiration des poussières produites pendant l'utilisation des outils électroportatifs (voir figure L)

► **Au cas où l'air sortant de l'appareil est directement re- jeté dans la pièce, il est impératif de veiller à un taux de renouvellement d'air suffisant dans la pièce. Res- pectez les réglementations nationales en vigueur.**

L'aspirateur dispose d'une prise électrique pour outils électroportatifs (4). Vous pouvez raccorder à cette prise un outil électroportatif externe. Tenez compte de la puissance de raccordement maximale admissible de l'outil électropor- tatif raccordé.

Montez l'adaptateur d'aspiration combiné (25) (voir figure B).

Reliez l'adaptateur d'aspiration combiné (25) au raccord d'aspiration de l'outil électroportatif.



Pour **activer la fonction de mise en marche/ arrêt automatique** de l'aspirateur, placez l'in- terrupteur principal (2) dans la position **1+**.

Pour **mettre en marche l'aspirateur**, allumez l'outil électroportatif raccordé à la prise électrique (4). L'as- pirateur démarre automatiquement.

Pour **arrêter l'aspiration**, éteignez l'outil électroportatif. Afin d'aspirer totalement la poussière encore présente dans le flexible d'aspiration, l'aspirateur continue de fonctionner encore 15 s avant de s'arrêter (fonction arrêt différé).



Pour **arrêter l'aspirateur**, placez l'interrupteur principal (2) dans la position **0**.

Utilisation du système d'aspiration (accessoire)



Raccordez le système d'aspiration au flexible d'aspiration (29).

Pour **aspirer les poussières avec le système d'aspiration**, placez l'interrupteur principal (2) dans la position **1**.

Appliquez le système d'aspiration contre le mur et allumez l'outil électroportatif. La dépression générée permet au système d'aspiration d'adhérer de lui-même au support (mur). Éteignez l'outil électroportatif et dégagez avec précaution le système d'aspiration du mur.



Pour **arrêter l'aspirateur**, placez l'interrupteur principal **(2)** dans la position **0**.

Aspiration de liquides

► **N'utilisez pas cet aspirateur pour aspirer des liquides inflammables ou explosifs, tels que essence, huiles, alcool, solvants. N'aspirez pas de poussières très chaudes, incandescentes ou explosives. N'utilisez pas l'aspirateur dans des locaux à atmosphère explosive.**

Les poussières, vapeurs ou liquides risquent de s'enflammer ou d'exploser.

► **N'utilisez pas l'aspirateur comme une pompe à eau.**

L'aspirateur est conçu pour aspirer des mélanges d'air et d'eau.

Remarque : Les exigences pour le degré de perméabilité (classe de filtration L) n'ont été attestées que pour l'aspiration de matières sèches.

Avant l'aspiration de liquides

Videz la cuve **(1)** et retirez le sac plastique **(32)** ou le sac-filtre en non-tissé **(40)**.

Vérifiez si le capteur de niveau de remplissage **(45)** n'est pas encrassé. Il faut que le capteur soit propre pour que l'aspirateur s'arrête automatiquement lorsque la cuve est pleine (voir « Nettoyage du capteur de niveau de remplissage (voir figures **Q-R**) », Page 26).

► **Pendant l'aspiration de liquides, le nettoyage de filtre automatique doit être désactivé.**

Actionnez la touche Nettoyage de filtre automatique **(8)** pour activer le nettoyage de filtre manuel (voir « Nettoyage de filtre manuel », Page 25). Cela désactive le nettoyage de filtre automatique, l'indicateur LED **A (5)** s'éteint.

Aspiration de liquides

AVERTISSEMENT Arrêtez immédiatement l'aspirateur dès que de la mousse ou de l'eau ressort et videz la cuve.

L'aspirateur risque sinon d'être endommagé.

Pour **mettre en marche l'aspirateur**, placez l'interrupteur principal **(2)** dans la position **1**.

L'aspirateur est équipé de capteurs de niveau de remplissage **(45)**. Quand la hauteur de remplissage maximale est atteinte, l'aspirateur s'éteint automatiquement et les deux indicateurs LED **A (5)** et **M (6)** clignotent simultanément 1 fois par seconde. La protection anti-redémarrage est active et peut être désactivée en éteignant/rallumant 1 fois l'aspirateur.

Remarque : Vérifiez régulièrement le niveau de remplissage et videz la cuve à temps.

Pour **arrêter l'aspirateur**, placez l'interrupteur principal **(2)** dans la position **0**.

Saisissez la cuve **(1)** au niveau de la zone de préhension arrière **(21)** et basculez-la vers l'avant pour la vider.

Après l'aspiration de liquides

Après chaque aspiration d'un liquide, nettoyez le capteur de niveau de remplissage **(45)** (voir « Nettoyage du capteur de niveau de remplissage (voir figures **Q-R**) », Page 26).

Pour éviter la formation de moisissures après avoir aspiré des liquides :

- Retirez le filtre plissé plat **(34)** et laissez-le bien sécher.
- Retirez la partie supérieure de l'aspirateur **(12)**, ouvrez le couvre-filtre **(43)** et laissez les deux bien sécher.

Nettoyage de filtre automatique/manuel (voir figure M)

Nettoyage de filtre automatique

Remarque : Le nettoyage de filtre automatique est toujours actif à la mise en marche de l'aspirateur (réglage par défaut). L'indicateur LED **A (5)** est allumé en permanence.

Lorsque le nettoyage de filtre automatique est actif, le filtre plissé plat **(34)** est nettoyé toutes les 15 s par 2 jets d'air (bruit de pulsation).

Une utilisation régulière du nettoyage de filtre prolonge la durée de vie du filtre.

Pour prolonger au maximum la durée de vie du filtre, ne désactivez le nettoyage de filtre automatique que si cela est vraiment nécessaire (p. ex. pour l'aspiration de liquides).

Nettoyage de filtre manuel

Actionnez la touche Nettoyage de filtre manuel **(7)** pour activer le nettoyage de filtre manuel. Le filtre plat plissé **(34)** est nettoyé par 2 jets d'air. L'indicateur LED **M (6)** s'allume en blanc pendant 2 s. Dès que l'indicateur LED **M (6)** s'éteint, un nouveau cycle de nettoyage peut être déclenché. Appuyez pour cela à nouveau sur la touche Nettoyage de filtre manuel **(7)**.

Remarque : Il convient d'attendre 2 à 3 s entre chaque actionnement de la touche de nettoyage manuel. Un actionnement répété sans pause de la touche Nettoyage de filtre manuel **(7)** provoque l'activation de la protection contre la surchauffe de l'aspirateur. La protection contre la surchauffe se désactive automatiquement au bout d'un certain temps (voir « Dépannage », Page 27).

Pour désactiver le nettoyage de filtre manuel, actionnez la touche Nettoyage de filtre automatique **(8)**.

Un filtre plissé encrassé en surface reste entièrement fonctionnel. Il n'est pas nécessaire de nettoyer manuellement le filtre plissé plat en le tapotant ou en soufflant dessus, cela risquerait même de l'endommager.

Entretien et Service après-vente

Maintenance et nettoyage

- **Débranchez le cordon de la prise électrique avant de nettoyer l'aspirateur, d'effectuer des réglages, de changer d'accessoire ou de ranger l'aspirateur.** Cette mesure de précaution prévient toute mise en marche intempestive de l'aspirateur.
- **Toujours tenir propres l'outil électroportatif ainsi que les fentes de ventilation afin d'obtenir un travail impeccable et sûr.**

Dans le cas où il s'avère nécessaire de remplacer le câble d'alimentation, confiez le remplacement à **Bosch** ou une station de Service Après-Vente agréée pour outillage **Bosch** afin de ne pas compromettre la sécurité.

- **Portez un masque anti-poussières lors de la maintenance et du nettoyage de l'aspirateur.**

Nettoyez de temps en temps le carter de l'aspirateur avec un chiffon humide.

- **Ne nettoyez pas l'aspirateur à l'air comprimé.** Le filtre ou d'autres composants pourraient être endommagés.

Faites effectuer au moins une fois par an un contrôle technique du système d'aspiration (incluant notamment un contrôle de l'état du filtre, de l'étanchéité de l'aspirateur et du fonctionnement correct du dispositif de contrôle) par le fabricant ou par une personne qualifiée.

Maintenance et nettoyage après l'aspiration de matières nocives pour la santé

- Toutes les pièces qui sont entrées en contact avec des matières nocives pour la santé doivent être considérées comme étant contaminées.
- Aspirez, essuyez ou étanchez soigneusement l'extérieur de l'aspirateur avant de quitter un espace ou local contenant des matières nocives pour la santé.
- Ne procédez au nettoyage, au démontage et à la maintenance de l'aspirateur que si cela est sans danger pour vous et d'autres personnes. Portez des équipements de protection individuelle lors de tous les travaux de nettoyage et de maintenance. Effectuez les travaux dans un local bien aéré.
- Nettoyez l'extérieur de l'aspirateur avant de le démonter.
- Mettez au rebut (dans des sacs hermétiques) toutes les pièces de l'aspirateur impossibles à nettoyer correctement. Observez ce faisant la législation en vigueur concernant l'élimination de ce type de déchets.
- Nettoyez pour finir le poste de travail.

Nettoyage de la cuve

Nettoyez de temps en temps la cuve (1) au moyen d'un détergent non abrasif du commerce et laissez-la sécher.

Nettoyage/remplacement du filtre plissé plat (voir figures N–O)

- **Saisissez le couvre-filtre par la patte de fermeture lors de son ouverture et veillez à ce que le couvre-filtre ou-**

vert s'enclenche dans la position verticale. Une chute du couvre-filtre risquerait de causer des blessures.

Le pouvoir aspirant dépend l'état du filtre. Il est donc important de nettoyer le filtre régulièrement.

Remplacez le filtre plissé plat (34) dès qu'il est endommagé.

- Tirez sur la patte de fermeture (26) et basculez le couvre-filtre (43) vers le haut jusqu'à ce qu'il s'enclenche en position verticale.
- Saisissez le filtre plissé plat (34) au niveau des nervures et sortez-le par le haut.
- Retirez avec un chiffon humide la poussière et les saletés qui tombent sur le bord de la cuve (1) lors du retrait du filtre plissé plat (34).
- Le filtre plissé plat peut être rincé sous l'eau courante.
- Mettez en place un filtre plissé neuf ou le filtre plissé nettoyé (34) en veillant à son positionnement correct.
- Refermez le couvre-filtre (43) en veillant à ce qu'il s'enclenche de manière audible.

Nettoyage du préfiltre (voir figure P)

- **Le préfiltre ne doit pas être nettoyé avec un liquide.**

- **Ne glissez pas vos doigts entre la poignée-étrier et l'aspirateur pour déverrouiller le cache du préfiltre.**

Vous risqueriez de coincer votre main.

Tirez la poignée-étrier (42) vers le haut jusqu'à ce que le cache de préfiltre soit librement accessible par l'arrière.

Appuyez sur la touche de déverrouillage (28) du cache de préfiltre (27) et délogez le cache.

Retirez le préfiltre (44).

Brossez les lamelles du préfiltre avec une brosse souple.

Placez le préfiltre dans le cache de préfiltre (27).

Insérez le cache de préfiltre (27) dans le logement de préfiltre en veillant à ce qu'il s'enclenche.

Nettoyage du capteur de niveau de remplissage (voir figures Q–R)

Débranchez le câble de l'aspirateur de la prise secteur.

Retirez la partie supérieure de l'aspirateur (12).

Videz la cuve (1).

Secouez le flotteur (46) ou tapotez-le légèrement pour faire tomber la poussière.

Nettoyez le flotteur (46) avec un chiffon doux.

Retirez le flotteur si nécessaire. Pour cela, appuyez sur le verrouillage (47) et sortez le flotteur (46).

Nettoyez l'aimant (48) avec une brosse.

Remettez en place le flotteur (46).

Rangement et transport

- Enroulez le câble d'alimentation secteur autour du fixe-câble (19).
- Logez les accessoires dans les fixations prévues à cet effet.
- Enroulez le flexible d'aspiration (29) raccordé dans le logement de l'aspirateur prévu à cet effet. Tirez les deux sangles (13) vers le haut et accrochez-les au niveau des ouvertures de fixation.

- Clipsez le coffret L-BOXX sur les fixations **(11)**.
- Retirez le sac plastique/sac-filtre en non-tissé dès qu'il est plein.
- Ne portez l'aspirateur que par la poignée **(10)**.
- Rangez l'aspirateur dans un local sec avec un sol plan et assurez-vous qu'il ne puisse pas être utilisé par une personne non autorisée.
- Bloquez les roues pivotantes **(17)** en actionnant le frein **(18)**.
- Pour simplifier le transport et ménager votre dos, videz la cuve complètement ou retirez le sac plastique/sac-filtre en non-tissé s'il est plein.
- Déverrouillez le frein de roue pivotante **(18)** pour déplacer l'aspirateur.
- Ne déplacez l'aspirateur qu'au moyen de la poignée-étrier **(42)** déployée à fond. Ne montez pas des marches d'escalier en tirant l'aspirateur par la poignée-étrier. Utilisez pour cela la poignée de transport.
- Lorsque vous portez l'aspirateur dans un escalier, veillez à ce que personne ne se trouve directement derrière vous car il y a risque de blessure au cas où l'aspirateur devait basculer vers l'arrière accidentellement.

Dépannage

- **En présence d'un dysfonctionnement (par ex. déchirement du filtre), arrêtez aussitôt l'aspirateur. Supprimez la cause du dysfonctionnement avant de remettre en marche l'aspirateur.**

Problème	Remède
La turbine d'aspiration ne fonctionne pas.	<p>Contrôlez le cordon d'alimentation et son connecteur, la prise électrique et les capteurs de niveau de remplissage (45).</p> <p>L'interrupteur principal (2) se trouve sur « Mise en marche/arrêt automatique ».</p> <p>Placez l'interrupteur principal (2) sur le symbole « Aspiration » ou allumez l'outil électroportatif raccordé à la prise électrique (4).</p>
La turbine d'aspiration s'arrête.	<p>Lors de l'aspiration de liquides, les indicateurs LED A et M clignotent lentement et simultanément.</p> <p>Videz la cuve (1).</p> <p>Lors de l'aspiration de matières sèches, les indicateurs LED A et M clignotent rapidement et simultanément : la protection contre les surcharges de la prise électrique de l'aspirateur est active.</p> <p>Éteignez l'outil électroportatif.</p>
L'aspirateur s'arrête.	<p>Surcharge de l'aspirateur suite au dépassement de la tension maximale au niveau de la prise électrique de l'aspirateur : le disjoncteur de protection moteur a déclenché.</p> <p>Envoyez l'aspirateur à un centre de Service Après-Vente Bosch agréé.</p>
La turbine d'aspiration ne fonctionne plus après le vidage de la cuve.	<p>Arrêtez l'aspirateur, attendez 5 s puis remettez-le en marche après 5 s.</p> <p>Nettoyez les capteurs de niveau de remplissage (45) et l'espace entre les capteurs de niveau de remplissage (45) avec une brosse.</p>
Le pouvoir aspirant diminue.	<p>Débouchez la buse d'aspiration, le tube d'aspiration, le flexible d'aspiration (29) ou le filtre plissé plat (34).</p> <p>Remplacez le sac plastique (32)/sac-filtre en non-tissé (40).</p> <p>Emboîtez correctement le couvre-filtre (43). Il doit s'enclencher.</p> <p>Remettez en place correctement la partie supérieure de l'aspirateur (12) et verrouillez correctement les pattes de fermeture (15).</p> <p>Remplacez le filtre plissé plat (34).</p>
Rejet de poussières lors de l'aspiration	<p>Vérifiez si le filtre plissé plat (34) est bien en place.</p> <p>Remplacez le filtre plissé plat (34).</p>
L'arrêt automatique (aspiration de liquides) ne fonctionne pas.	<p>Nettoyez les capteurs de niveau de remplissage (45) et l'espace entre les capteurs de niveau de remplissage (45) avec une brosse.</p> <p>Contrôlez régulièrement le niveau de remplissage.</p>
Le nettoyage de filtre automatique ne fonctionne pas.	<p>Sélectionnez le mode manuel en actionnant la touche Nettoyage de filtre manuel (7).</p> <p>Si le problème persiste, contactez un centre de service après-vente agréé Bosch.</p>
Le nettoyage de filtre manuel ne se laisse pas activer.	<p>La protection contre la surchauffe de l'aspirateur est active.</p>

Problème	Remède
	La protection contre la surchauffe s'est déclenchée après 10 actionnements successifs de la touche Nettoyage de filtre manuel (7). La protection contre la surchauffe se désactive automatiquement au bout de 20 s.
	La protection contre la surchauffe s'est déclenchée après 30 actionnements successifs de la touche Nettoyage de filtre manuel (7). La protection contre la surchauffe se désactive automatiquement au bout de 4 min.
	Si le problème persiste, contactez un centre de service après-vente agréé Bosch .
Le nettoyage de filtre automatique ne fonctionne pas.	Contactez un centre de service après-vente agréé pour outillage Bosch .

Service après-vente et conseil utilisateurs

Notre Service Après-Vente répond à vos questions concernant la réparation et l'entretien de votre produit et les pièces de rechange. Des vues éclatées ainsi que des informations concernant les pièces de rechange se trouvent également sous : www.bosch-pt.com

L'équipe de conseil utilisateurs Bosch se tient à votre disposition pour répondre à vos questions concernant nos produits et leurs accessoires.

Pour toute demande de renseignement ou commande de pièces de rechange, nous préciser impérativement le numéro d'article à dix chiffres indiqué sur la plaque signalétique du produit.

Maroc

Robert Bosch Morocco SARL
53, Rue Lieutenant Mahroud Mohamed
20300 Casablanca
Tel. : +212 5 29 31 43 27
E-Mail : sav.outillage@ma.bosch.com

Vous trouverez d'autres adresses de service sous :

www.bosch-pt.com/serviceaddresses

Élimination des déchets

Les aspirateurs, ainsi que leurs accessoires et emballages, doivent pouvoir suivre chacun une voie de recyclage appropriée.



Ne jetez pas l'aspirateur avec les ordures ménagères !

Português

Instruções de segurança para aspiradores



Leia todas as instruções de segurança e instruções. A inobservância das instruções de segurança e das instruções pode causar

choque elétrico, incêndio e/ou ferimentos graves.

Guarde bem todas as advertências e instruções para futura referência.

► **Este aspirador não se destina a ser utilizado por crianças e pessoas com capacidades físicas, sensoriais ou mentais reduzidas ou com experiência e conhecimentos insuficientes.** Caso contrário há perigo de operação errada e ferimentos.

► **Vigie as crianças.** Desta forma garante que nenhuma criança brinca com o aspirador.

► **Respeite todas as normas de segurança para as substâncias a aspirar.**

► **Não aspire madeira de faia ou de carvalho, pó de pedra ou asbesto.** Estas substâncias são consideradas cancerígenas.

⚠ AVISO

Use o aspirador apenas se tiver recebido informações suficientes para o uso, para os materiais a aspirar e para a eliminação segura dos mesmos. Uma instrução cuidadosa reduz as operações erradas e lesões.

⚠ AVISO

O aspirador é apropriado para aspirar substâncias secas e, através de medidas apropriadas, também para aspirar líquidos. A entrada de líquidos aumenta o risco de choque elétrico.

► **Com o aspirador não devem ser aspirados líquidos inflamáveis ou explosivos, como por exemplo gasolina, óleo, álcool, solventes. Não aspire pós quentes, ardentes ou explosivos. Não opere o aspirador em áreas com risco de explosão.** Os pós, os vapores ou os líquidos podem inflamar ou explodir.

⚠ AVISO

Só utilizar a tomada para as finalidades determinadas nas instruções de serviço.

⚠️ AVISO

Desligue imediatamente o aspirador assim que sair espuma ou água e esvazie o recipiente. Caso contrário, é possível que o aspirador seja danificado.

- ▶ **ATENÇÃO! O aspirador só deve ser armazenado em recintos fechados.**
- ▶ **ATENÇÃO! Limpe regularmente os sensores do nível de enchimento para líquidos e verifique se estão danificados.** Caso contrário a função pode ser prejudicada.
- ▶ **Se não for possível evitar o funcionamento do aspirador em áreas húmidas, deverá ser utilizado um disjuntor de corrente de avaria.** A utilização de um disjuntor de corrente de avaria reduz o risco de um choque elétrico.
- ▶ **Antes de qualquer utilização, verifique o aspirador, o cabo e a ficha. Não utilize o aspirador se detetar danos no mesmo. Não abra o aspirador, as reparações devem ser levadas a cabo apenas por pessoal técnico qualificado e devem ser usadas somente peças de substituição originais.** Aspiradores, cabos e fichas danificados aumentam o risco de choque elétrico.
- ▶ **Não passe por cima do cabo, nem o esmague. Não puxe pelo cabo para retirar a ficha da tomada nem para deslocar o aspirador.** Cabos danificados aumentam o risco de um choque elétrico.
- ▶ **Retire a ficha da tomada, antes de efetuar trabalhos de limpeza ou manutenção, ajustes no aparelho, troca de acessórios ou de armazenar o aspirador.** Esta medida de prevenção evita um arranque inadvertido do aspirador.
- ▶ **Assegurar uma boa ventilação no local de trabalho.**
- ▶ **Mande reparar o aspirador por pessoas qualificadas com peças de substituição originais.** Desta forma é assegurada a segurança do aspirador.

⚠️ AVISO

O aspirador contém pó prejudicial para a saúde. Mande executar os processos de esvaziamento e manutenção, incluindo a eliminação do recipiente coletor do pó, exclusivamente por técnicos especializados. É necessário um equipamento de proteção adequado. Não use o aspirador sem o sistema de filtro completo e bem colocado. Caso contrário estará a pôr em risco a sua saúde.

- ▶ **Antes da colocação em funcionamento, controle o estado impecável da mangueira de aspiração. Deixe a mangueira de aspiração montada no aspirador para não sair inadvertidamente pó.** Caso contrário, poderá inalar o pó.
- ▶ **Não utilize o aspirador como assento.** O aspirador pode ser danificado.
- ▶ **Utilize o cabo de rede e a mangueira de aspiração com muito cuidado.** É possível que outras pessoas sejam colocadas em perigo.
- ▶ **Não limpe o aspirador com um jato de água direto.** A infiltração de água na parte superior do aspirador aumenta o risco de um choque elétrico.

- ▶ **Ligue o aspirador a uma rede elétrica ligada corretamente à terra.** A tomada e o cabo de extensão têm de ter um condutor de proteção funcional.
- ▶ **Não utilize a tomada no aspirador ao aspirar líquidos ou num ambiente húmido.** Através do contacto com água existe o perigo de curto-circuito ou de um choque elétrico.

Símbolos

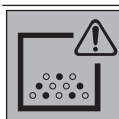
Os seguintes símbolos podem ser importantes para a utilização do seu aspirador. Os símbolos e os seus significados devem ser memorizados. A correta interpretação dos símbolos ajuda-o a utilizar o aspirador melhor e com mais segurança.

Símbolos e seus significados

AVISO! Leia todas as instruções de segurança e instruções. A inobservância das instruções de segurança e das instruções pode causar choque elétrico, incêndio e/ou ferimentos graves.



Aspirador da classe de pó L segundo IEC/EN 60335-2-69 para **aspirar a seco** pós prejudiciais para a saúde com valor limite de exposição > 1 mg/m³



AVISO! O aspirador contém pó prejudicial para a saúde. Mande executar os processos de esvaziamento e manutenção, incluindo a eliminação do recipiente coletor do pó, exclusivamente por técnicos especializados. É necessário um equipamento de proteção adequado. Não use o aspirador sem o sistema de filtro completo e bem colocado. Caso contrário estará a pôr em risco a sua saúde.



**max. 1 L-Boxx
max. 15 kg**

Engatar no máximo apenas uma L-Boxx. O peso da L-Boxx com o conteúdo não pode exceder os 15 kg.

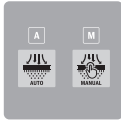


Não pendure o aspirador, p.ex. para efeitos de transporte, num gancho de grua. O aspirador não pode ser transportado por grua. Existe perigo de ferimentos e danos.

Símbolos e seus significados



Não utilize o aspirador como assento, escada ou base. O aspirador pode tombar e ser danificado. Existe perigo de ferimentos.



A

A

LED indicador do modo de limpeza automática do filtro

M

M

LED indicador do modo de limpeza manual do filtro



Tecla Limpeza automática do filtro



Tecla Limpeza manual do filtro



Sistema start/stop automático

Aspirar o pó resultante de ferramentas elétricas em funcionamento; o aspirador liga-se automaticamente e desliga-se de forma retardada. A tomada no aspirador encontra-se permanentemente sob tensão.



Desligar

A tomada no aspirador encontra-se sem corrente.



Aspirar

Aspirar o pó depositado e o pó do sistema de aspiração. A tomada no aspirador encontra-se permanentemente sob tensão.



Mín./Máx.

Regulação contínua da potência de aspiração:

- máximo poder de aspiração para aplicação com forte formação de pó
- poder de aspiração reduzido para aplicações com pouca formação de pó e para regular a força de aspiração entre a ferramenta elétrica conectada e a superfície da peça (p. ex. ao lixar)



O registo de dados está ativado neste aspirador.

Símbolos e seus significados

max.
2100 W
min.
100 W

Indicação do cabo de ligação permitido da ferramenta elétrica ligada (específico do país)

Descrição do produto e do serviço

Favor observar as ilustrações na parte dianteira deste manual de instruções.

Utilização adequada

O aspirador destina-se a recolher, aspirar, transportar e separar pó seco não inflamável e líquidos não inflamáveis. O aspirador foi testado contra pó e corresponde à classe de pó L. É adequado para as elevadas exigências na utilização profissional, p. ex. nas artes e ofícios, na indústria e nas oficinas.

Os aspiradores da classe de pó L segundo IEC/EN 60335-2-69 só podem ser utilizados para aspirar pós prejudiciais para a saúde com um valor-limite de exposição $> 1 \text{ mg/m}^3$.

Use o aspirador carregador apenas se souber avaliar e usar todas as funções sem limitações e se tiver recebido instruções suficientes sobre as mesmas.

Componentes ilustrados

A numeração dos componentes ilustrados refere-se à apresentação do aspirador na página de esquemas.

- (1) Depósito
- (2) Interruptor principal
- (3) Encaixe da mangueira
- (4) Tomada para a ferramenta elétrica
- (5) LED indicador **A** Modo de limpeza automática do filtro
- (6) LED indicador **M** Modo de limpeza manual do filtro
- (7) Tecla Limpeza manual do filtro
- (8) Tecla Limpeza automática do filtro
- (9) Regulador do poder de aspiração
- (10) Pega de transporte
- (11) Encaixe L-BOXX
- (12) Parte superior do aspirador
- (13) Tira de tração
- (14) Abertura de fixação
- (15) Fecho para a parte superior do aspirador
- (16) Roda
- (17) Rolete de guia
- (18) Travão do rolete de guia
- (19) Suporte do cabo
- (20) Calhas de guia para o estribo guia extraível
- (21) Área de agarre posterior

- (22) Suporte para bocal para chão
 - (23) Bocal para chão
 - (24) Bocal para escova combinado
 - (25) Adaptador de aspiração combinado (para ferramenta elétrica)
 - (26) Patilha de fecho da cobertura do filtro
 - (27) Cobertura do pré-filtro
 - (28) Tecla de desbloqueio do pré-filtro
 - (29) Mangueira de aspiração
 - (30) Tubo de aspiração
 - (31) Bocal curvo
 - (32) Saco de plástico
 - (33) Abertura de passagem do ar
 - (34) Filtro de pregas planas
 - (35) Botão de pressão da mangueira de aspiração
 - (36) Adaptador PowerTool (peça dianteira)
 - (37) Adaptador PowerTool (peça posterior)
 - (38) Tecla de desbloqueio do bocal para escova combinado
 - (39) Suporte do saco de filtro de velo^{a)}
 - (40) Saco de filtro de velo^{a)}
 - (41) Botão de pressão do estribo guia^{a)}
 - (42) Estribo guia extraível^{a)}
 - (43) Cobertura do filtro de pregas planas
 - (44) Pré-filtro
 - (45) Sensor do nível de enchimento
 - (46) Flutuador
 - (47) Bloqueio do flutuador
 - (48) Íman
- a) **Este acessório não pertence ao volume de fornecimento.**

Dados técnicos

Aspirador universal		GAS 400 A	GAS 400 A
Número de produto 3 601 JMO 020/... 0F0 ... 080/... 0E0/... 0N0 ... 0K0 ... 0L0/... 070 ... 0H0 ... 030	... 0D0/... 0G0 ... 0C0 ... 060
Potência nominal absorvida	W	1200	1200
Frequência	Hz	50–60	60
Capacidade do depósito (bruto)	l	40	40
Volume líquido (seco)	l	28	26
Volume líquido (líquido)	l	20	18
Vácuo ^{A)}			
– Aspirador	hPa	200	180
– Turbina	hPa	230	200
Fluxo ^{A)}			
– Aspirador	l/s	28	26
	m ³ /h	100,8	93,6
– Turbina	l/s	71,5	70
	m ³ /h	257	252
Classe de pó		L	L
Peso ^{B)}	kg	14,0	14,5
Classe de proteção		⊕/I	⊕/I
Tipo de proteção		IPX4	IPX4

A) medido com uma mangueira de aspiração Ø 28 mm e 4 m de comprimento

B) Peso sem cabo de ligação à rede e sem ficha de rede

As informações aplicam-se às tensões nominais indicadas. Com tensões divergentes e em versões específicas do país, estes dados podem variar.

Os valores podem variar em função do produto e estar sujeitos a condições de aplicação e do meio ambiente. Para mais informações consulte www.bosch-professional.com/wac.

Tomada no aspirador

Potência de ligação permitida da ferramenta elétrica ligada			
3 601 JMO ...	Tensão nominal	Potência máxima	Potência mínima
... 020/... 0F0	230 V	2100 W	100 W
... 080/... 0E0/... 0N0	220 V	2100 W	100 W
... 0K0	220-230 V	2100 W	100 W
... 0L0/... 070	220-240 V	1660 W	100 W
... 0H0	220 V	1000 W	100 W
... 030	230 V	1100 W	100 W
... 0D0/... 0G0	127 V	705 W	100 W
... 0C0	115 V	525 W	100 W
... 060	110 V	560 W	100 W

Indicação do cabo de ligação permitido da ferramenta elétrica ligada.

No caso de outros modelos específicos do país, estes valores podem ser divergentes. Respeite as indicações na tomada do aspirador.

Informação sobre ruídos/vibrações

Os valores de emissão de ruído foram determinados de acordo com **EN 60335-2-69**.

O nível de pressão sonora avaliado como A do aspirador é normalmente **73 dB(A)**. Incerteza $K = 2$ dB. O nível sonoro durante os trabalhos pode ultrapassar os valores indicados.

Utilizar proteção auditiva!

Valores totais de vibração a_h (soma dos vetores das três direções) e incerteza K determinada segundo

EN 60335-2-69:

$a_h < 2,5 \text{ m/s}^2$, $K = 1,5 \text{ m/s}^2$.

Montagem

- ▶ **Retire a ficha da tomada, antes de efetuar trabalhos de limpeza ou manutenção, ajustes no aparelho, troca de acessórios ou de armazenar o aspirador.** Esta medida de prevenção evita um arranque inadvertido do aspirador.

Montar acessórios de aspiração (ver figura A)

A mangueira de aspiração (29) está equipada com um sistema de clipe, com o qual podem ser conectados acessórios de aspiração (adaptador de aspiração combinado (25), bocal curvo (31), bocal para escova combinado (24)).

Montar o bocal curvo

- Insira o bocal curvo (31) na mangueira de aspiração (29) até os dois botões de pressão (35) da mangueira de aspiração engatarem de forma audível.
- Para desmontar, prima os botões de pressão (35) para dentro e separe os componentes.

Montar bocal para chão e tubos

- Insira os tubos de aspiração (30) bem um no outro e depois no bocal curvo (31).
- Insira bem o bocal para chão (23) no tubo de aspiração (30) ou no bocal curvo (31).

Montar o adaptador de aspiração combinado

O adaptador de aspiração combinado (25) é composto pelo adaptador PowerTool (peça dianteira) (36) e pelo adaptador PowerTool (peça posterior) (37).

O adaptador de aspiração combinado (25) é compatível com ferramentas elétricas Bosch.

O adaptador PowerTool (peça posterior) (37) pode ser utilizado com ferramentas elétricas de outros fabricantes devido ao seu diâmetro interior de 38,5 mm e ao diâmetro exterior de 45 mm.

Insira o adaptador PowerTool (peça dianteira) (36) no adaptador PowerTool (peça posterior) (37) e ligue os dois adaptadores rodando opostamente (ver figura B).

Insira o adaptador de aspiração combinado (25) na mangueira de aspiração (29), até que os dois botões de pressão (35) da mangueira de aspiração engatem de forma audível.

Para desmontar, pressione os botões de pressão (35) para dentro e retire o adaptador de aspiração combinado da mangueira de aspiração.

Para separar os dois adaptadores, solte a ligação rodando opostamente e separe os adaptadores.

Montar o bocal para escova combinado

Insira o bocal para escova combinado (24) na mangueira de aspiração (29), até que os dois botões de pressão (35) da mangueira de aspiração engatem de forma audível.

Para desmontar, prima os botões de pressão (35) para dentro e separe os componentes.

Ajustar o bocal para escova combinado (ver figura C)

Pode utilizar o bocal para escova combinado (24) como bocal para juntas ou escova.

Pressione a tecla de desbloqueio (38) e empurre a escova para a frente, para utilizar o bocal para escova combinado (24) como escova.

Pressione a tecla de desbloqueio (38) e puxe a escova para trás, para utilizar o bocal para escova combinado (24) como bocal para juntas.

Montar a mangueira de aspiração (ver figura D)

Insira a mangueira de aspiração (29) na respetiva fixação da mangueira (3) e rode-a para a direita até ao batente.

Nota: Ao aspirar, forma-se carga eletrostática, através da fricção do pó na mangueira e nos acessórios de aspiração, que é perceptível ao utilizador na forma de descarga estática (dependente das influências ambientais e da sensibilidade do corpo).

Por norma, a Bosch recomenda uma mangueira de aspiração antiestática (acessórios) para aspirar pó fino e materiais secos.

Fixar a mangueira de aspiração no aspirador (ver figura E)

Enrole a mangueira de aspiração montada (29) no compartimento para a mesma. Puxe as duas alças de retenção (13) e enganche-as nas aberturas de fixação (14).

Colocar/retirar o saco de plástico (aspirar a seco) (ver figura F)

Abra os dois fechos (15) e retire a parte superior do aspirador (12).

Para aspirar a seco, coloque um saco de plástico (32) no recipiente (1).

Coloque o saco de plástico (32) com a abertura de enchimento para cima no recipiente (1).

Certifique-se de que o saco de pó (32) fica totalmente encostado às paredes interiores do recipiente (1).

Dobre o restante saco de plástico (32) sobre o rebordo do recipiente (1). Certifique-se de que a linha de encosto do saco de plástico se encontra na borda do recipiente e que as aberturas de passagem de ar (33) permanecem no recipiente.

Coloque novamente a parte superior do aspirador (12) e feche o aspirador com os fechos (15).

► **Certifique-se de que o aspirador está sempre bem fechado.**

Feche o saco de plástico, antes de o retirar. Mantenha a parte de cima do saco unida e utilize uma fita para atar o saco.

Colocar/retirar o saco de filtro de velo (aspirar a seco) (ver figuras G–H)

Para aspirar substâncias a seco de acordo com a classe de pó L, pode utilizar um saco de filtro de velo (40) (acessório).

Desde que sejam aspiradas substâncias sem ou com um valor limite de exposição $\geq 1 \text{ mg/m}^3$ (de acordo com a classe de poeiras L), as mesmas podem ser aspiradas diretamente para o depósito.

Nota: na utilização do saco de filtro de velo desligue a limpeza automática do filtro (ver "Limpeza do filtro automática/manual (ver figura M)", Página 35).

⚠ AVISO O aspirador contém pó prejudicial para a saúde. Mandar executar os processos de esvaziamento e manutenção, incluindo a eliminação do recipiente coletor do pó, exclusivamente

por técnicos especializados. É necessário um equipamento de proteção adequado. Não use o aspirador sem o sistema de filtro completo e bem colocado. Caso contrário estará a pôr em risco a sua saúde.

Abra os fechos (15) e retire a parte superior do aspirador (12).

Para colocar, insira o saco de filtro de velo (40) no respetivo suporte (39) e coloque o saco de filtro de velo (40) com o respetivo suporte (39) no recipiente (1).

Para retirar, feche a abertura do saco de filtro de velo cheio puxando pelo fecho. Puxe o saco de filtro de velo fechado (40) do respetivo suporte (39) e retire-o do aspirador.

Coloque novamente a parte superior do aspirador (12) e ligue-a fechando os fechos (15) do recipiente (1) com a parte superior do aspirador (12).

Engatar a L-BOXX (ver figura I)

Para o transporte do aspirador e para o acondicionamento em pouco espaço dos acessórios de aspiração e/ou ferramenta elétrica, pode engatar uma L-BOXX na parte superior do aspirador.

Fixe a mangueira de aspiração no aspirador (ver figura E).

Engate a L-BOXX nos encaixes (11).

► **Não aspire com a L-BOXX engatada.** O centro de gravidade do aspirador desloca-se para cima. O aspirador pode tombar. Existe perigo de ferimentos e danos.

► **Não transporte o aspirador na pega de transporte da L-BOXX engatada.** O aspirador é demasiado pesado para a pega de transporte da L-BOXX. Existe perigo de ferimentos e danos.

Montar o estribo guia extraível (acessório) (ver figuras J–K)

Nota: o estribo guia extraível não pode ser desmontado.

Tenha atenção ao alinhamento correto do estribo guia durante a montagem.

Antes da colocação, alinhe o estribo guia (42) com base nas marcações R (direita) e L (esquerda).

Coloque o estribo guia (42) nas calhas de guia (20).

Pressione para baixo o estribo guia (42) até à linha de encosto, até que o estribo guia engate de forma audível.

Pressione o botão de pressão (41), para alterar o comprimento do estribo guia (42).

Funcionamento

► **Retire a ficha da tomada, antes de efetuar trabalhos de limpeza ou manutenção, ajustes no aparelho, troca de acessórios ou de armazenar o aspirador.** Esta medida de prevenção evita um arranque inadvertido do aspirador.

Colocação em funcionamento

- ▶ **Observar a tensão de rede!** A tensão da fonte de corrente elétrica deve coincidir com a que consta na chapa de identificação do aspirador.
- ▶ **Informe-se a respeito das regras/leis vigentes no seu país, para o manuseio de pós nocivos à saúde.**

O aspirador pode ser usado para aspirar os seguintes materiais:

- pós não prejudiciais para a saúde com um valor limite de exposição > 1 mg/m³

O aspirador não deve ser utilizado em recintos com perigo de explosão.

Para garantir um poder de aspiração ideal, tem de desenrolar por completo a mangueira de aspiração (29) da parte superior do suporte (12).

Regular a potência de aspiração

Através do regulador da potência de aspiração (9) pode regular progressivamente a potência de aspiração.

Coloque o regulador da potência de aspiração (9) na potência de aspiração máxima para aplicações com forte formação de pó.

Coloque o regulador da potência de aspiração (9) na posição de potência de aspiração reduzida, para aplicações com reduzida formação de pó e para regular a força de aspiração entre a ferramenta elétrica conectada e a superfície da peça (p. ex. ao lixar).

Tomada no aspirador

- ▶ **Observe a potência de conexão admissível da tomada no aspirador. Exceder a potência de conexão máxima admissível pode causar sobrecarga no aspirador. O fusível de proteção do motor dispara.** Envie o aspirador para um posto de assistência técnica **Bosch** autorizado.

Assim que a ficha de rede do aspirador estiver encaixada na tomada e o interruptor principal estiver na posição 1, a tomada para ferramentas elétricas (4) fica sob tensão. Esta pode ser utilizada como tomada elétrica externa no aspirador, p. ex. ao trabalhar com sistemas de aspiração. Na posição 1+ o sistema start/stop automático do aspirador está ativado. O aspirador pode ser ligado remotamente através da ferramenta elétrica conectada.

Aspirar a seco

Aspirar pó depositado



Para **ligar o aspirador**, rode o interruptor principal (2) para a posição 1.



Para **desligar o aspirador**, rode o interruptor principal (2) para a posição 0.

Aspiração de pó produzido durante o funcionamento de ferramentas elétricas (ver figura L)

- ▶ **Deve haver uma taxa de permuta de ar suficiente no recinto, quando o ar de descarga retorna ao recinto. Observe as respetivas diretivas nacionais.**

No aspirador está integrada uma tomada para ferramentas elétricas (4). Pode ligar uma ferramenta elétrica externa a esta tomada. Respeite a potência de ligação máxima permitida da ferramenta elétrica ligada.

Monte o adaptador de aspiração combinado (25) (ver figura B).

Insira o adaptador de aspiração combinado (25) no bocal de aspiração da ferramenta elétrica.



Para **ligar o sistema start/stop automático** do aspirador, rode o interruptor principal (2) para a posição 1+.

Para a **colocação em funcionamento do aspirador** ligue a ferramenta elétrica conectada à tomada (4). O aspirador inicia-se automaticamente.

Desligue a ferramenta elétrica para **terminar a aspiração**.

A função de inércia do sistema start/stop automático funciona durante 15 s para aspirar o pó residual da mangueira de aspiração.



Para **desligar o aspirador**, rode o interruptor principal (2) para a posição 0.

Utilização do sistema de aspiração (acessório)



Ligue o sistema de aspiração à mangueira de aspiração (29).

Para **aspirar pós através do sistema de aspiração**, rode o interruptor principal (2) para a posição 1.

Mantenha o sistema de aspiração na parede e ligue a ferramenta elétrica. O sistema de aspiração adere automaticamente à parede devido ao vácuo gerado.

Desligue a ferramenta elétrica e retire cuidadosamente o sistema de aspiração da parede.



Para **desligar o aspirador**, rode o interruptor principal (2) para a posição 0.

Aspirar em molhado

- ▶ **Com o aspirador não devem ser aspirados líquidos inflamáveis ou explosivos, como por exemplo gasolina, óleo, álcool, solventes. Não aspire pós quentes, ardentes ou explosivos. Não opere o aspirador em áreas com risco de explosão.** Os pós, os vapores ou os líquidos podem inflamar ou explodir.
- ▶ **O aspirador não pode ser operado como bomba de água.** O aspirador destina-se a aspirar ar e misturas de água.

Nota: Os requisitos em termos de grau de permeabilidade (classe de poeiras L) foi apenas comprovado para aspirar a seco.

Antes de aspirar em molhado

Esvazie o recipiente **(1)** e retire o saco de plástico **(32)** ou o saco de filtro de velo **(40)**.

Verifique o sensor do nível de enchimento **(45)** quanto a sujidade. Apenas um sensor do nível de enchimento limpo permite o desligamento automático do aspirador quando o nível máximo de enchimento do recipiente é alcançado (ver "Limpar o sensor do nível de enchimento (ver figuras Q-R)", Página 36).

► A limpeza automática do filtro tem de estar desativada durante a aspiração de líquidos.

Pressione a tecla Limpeza automática do filtro **(8)**, para ativar a limpeza manual do filtro (ver "Limpeza manual do filtro", Página 35). Deste modo, a limpeza automática do filtro é desativada e o indicador LED **A (5)** apaga-se.

Aspirar líquidos

⚠ AVISO

Desligue imediatamente o aspirador assim que sair espuma

ou água e esvazie o recipiente. Caso contrário, é possível que o aspirador seja danificado.

Para **ligar o aspirador**, rode o interruptor principal **(2)** para a posição **1**.

O aspirador está equipado com sensores do nível de enchimento **(45)**. Quando a altura máxima de enchimento é alcançada, o aspirador desliga-se automaticamente e os dois indicadores LED **A (5)** e **M (6)** piscam simultaneamente 1 vez por segundo. A proteção contra re arranque involuntário está ativada e pode ser desativada ligando/desligando 1 vez o aspirador.

Nota: verifique regularmente o nível de enchimento e esvazie o recipiente atempadamente.

Para **desligar o aspirador**, rode o interruptor principal **(2)** para a posição **0**.

Agarre o recipiente **(1)** na área de agarre posterior **(21)** e incline-o para a frente para esvaziar o líquido.

Após a aspiração de líquidos

Após cada aspiração de líquidos, limpe o sensor do nível de enchimento **(45)** (ver "Limpar o sensor do nível de enchimento (ver figuras Q-R)", Página 36).

Para evitar a formação de bolor depois de aspirar líquidos:

- Retire o filtro de pregas **(34)** e deixe-o secar bem.
- Retire a parte superior do aspirador **(12)**, abra a cobertura do filtro **(43)** e deixe secar ambas muito bem.

Limpeza do filtro automática/manual (ver figura M)

Limpeza automática do filtro

Nota: por norma, está definida a limpeza automática do filtro quando o aspirador é ligado.

O indicador LED **A (5)** acende-se permanentemente.

Na limpeza automática do filtro, o filtro de pregas planas **(34)** é limpo a cada 15 s por 2 sopros de ar (ruído pulsante).

Uma realização regular da limpeza do filtro aumenta a vida útil do filtro.

Para conseguir a melhor durabilidade do filtro, desative a limpeza automática do filtro apenas em casos excecionais, p. ex. ao aspirar líquidos.

Limpeza manual do filtro

Pressione a tecla Limpeza manual do filtro **(7)**, para efetuar a limpeza manual do filtro. O filtro de pregas planas **(34)** é limpo por 2 sopros de ar. O indicador LED **M (6)** acende-se a branco durante 2 s. Quando o indicador LED **M (6)** se apaga, o sopro de ar seguinte pode ser ativado. Para o efeito, pressione novamente a tecla Limpeza manual do filtro **(7)**.

Nota: na limpeza manual do filtro, tenha em atenção que cada pressão na tecla deve ser feita com um intervalo de 2–3 s. Pressionando várias vezes a tecla Limpeza manual do filtro **(7)** de forma contínua faz com que a proteção contra sobreaquecimento do aspirador seja ativada. A proteção contra sobreaquecimento é suprimida automaticamente após algum tempo (ver "Eliminação de falhas", Página 36).

Para desligar a limpeza manual do filtro, pressione a tecla Limpeza automática do filtro **(8)**.

Um filtro de pregas com superfície suja está operacional. Uma limpeza manual do filtro de pregas através de batimentos e sopro não é necessária e pode até danificar o filtro.

Manutenção e assistência técnica

Manutenção e limpeza

► **Retire a ficha da tomada, antes de efetuar trabalhos de limpeza ou manutenção, ajustes no aparelho, troca de acessórios ou de armazenar o aspirador.** Esta medida de prevenção evita um arranque inadvertido do aspirador.

► **Manter o aspirador e as aberturas de ventilação sempre limpas, para trabalhar bem e de forma segura.**

Se for necessário instalar um cabo de ligação, a instalação deve ser feita pela **Bosch** ou por um centro de serviço autorizado para ferramentas elétricas **Bosch**, para evitar perigos de segurança.

► **Use uma máscara de proteção durante a manutenção e limpeza do aspirador.**

De tempos a tempos, limpe a carcaça do aspirador com um pano húmido.

► **Não limpe o aspirador com ar comprimido.** O filtro ou outros componentes podem ficar danificados.

No mínimo uma vez por ano deve ser realizado um controlo técnico de pó, pelo fabricante ou por uma pessoa devidamente instruída (p. ex. verificar se há danos no filtro, controlar a estanqueidade do aspirador e o bom funcionamento dos dispositivos de controlo).

Limpeza e manutenção após a aspiração de substâncias prejudiciais à saúde

- Considere todas as peças que possam ter entrado em contacto com substâncias prejudiciais à saúde como contaminadas.
- Aspire, limpe ou vede minuciosamente o exterior do aspirador antes de o retirar da área com substâncias prejudiciais à saúde.
- Limpe, desmonte e faça a manutenção do aspirador apenas se não representar perigo para si e para outras pessoas. Use equipamento de proteção individual durante a manutenção e limpeza. Efetue os trabalhos num espaço bem ventilado.
- Limpe primeiro o exterior do aspirador antes de o desmontar.
- Elimine todas as peças do aspirador que não possam ser limpas satisfatoriamente em sacos impermeáveis. No processo, observe os regulamentos aplicáveis para a eliminação desses resíduos.
- Limpe a área de manutenção após a conclusão dos trabalhos.

Limpar o recipiente

Lave o recipiente (1) de tempos a tempos com um detergente convencional não abrasivo e depois deixe-o secar.

Limpar/trocar o filtro de pregas planas (ver figuras N–O)

- ▶ **Agarre a cobertura do filtro pela patilha de fecho ao abrir e certifique-se de que a cobertura do filtro engata na posição vertical.** Existe perigo de ferimentos se a cobertura do filtro cair.

O poder de aspiração depende do estado do filtro. Por isso, limpe regularmente o filtro.

Substitua imediatamente um filtro de pregas planas (34) danificado.

- Puxe a patilha de fecho (26) e vire a cobertura do filtro (43) para cima até que engate na posição vertical.
- Segure o filtro de pregas (34) pelas barras e retire-o puxando para cima.
- Remova o pó e a sujidade, que ocorre ao remover o filtro de pregas planas (34) da borda do recipiente (1) com um pano húmido.
- O filtro de pregas planas pode ser lavado sob água corrente.
- Coloque o filtro de pregas planas (34) limpo ou um novo e certifique-se do assento correto e seguro.
- Feche a cobertura do filtro (43), de modo a que engate de forma audível.

Limpar o pré-filtro (ver figura P)

- ▶ **O pré-filtro não pode ser molhado quando é limpo.**
- ▶ **Não agarre por cima entre o estribo guia e o aspirador para desbloquear a cobertura do pré-filtro.** Caso contrário, poderá entalar a sua mão.

Puxe o estribo guia (42) para cima, até que a cobertura do pré-filtro fique acessível a partir de trás.

Pressione a tecla de desbloqueio (28) da cobertura do pré-filtro (27) e retire-a do compartimento do pré-filtro.

Retire o pré-filtro (44).

Escove as lamelas do pré-filtro com uma escova macia.

Coloque o pré-filtro na respetiva cobertura (27).

Coloque a cobertura do pré-filtro (27) no compartimento do pré-filtro e feche-o.

Limpar o sensor do nível de enchimento (ver figuras Q–R)

Retire a ficha de rede do aspirador da tomada.

Retire a parte superior do aspirador (12).

Esvazie o depósito (1).

Mova o flutuador (46) ou bata-o ligeiramente para remover a sujidade.

Limpe o flutuador (46) com um pano macio.

Se necessário, também pode retirar o flutuador. Para o efeito, pressione o bloqueio (47) e retire o flutuador (46).

Limpe o íman (48) com uma escova.

Coloque novamente o flutuador (46).

Arrecadação e transporte

- Enrole o cabo de corrente elétrica no suporte para o cabo (19).
- Encaixe o acessório nos suportes previstos para o efeito.
- Enrole a mangueira de aspiração montada (29) no compartimento para a mesma. Puxe as duas alças de retenção (13) para cima e enganche-as nas aberturas de fixação.
- Engate a L-BOXX nos encaixes (11).
- Retire o saco de plástico/saco de filtro de velo assim que estiver cheio.
- Transporte o aspirador apenas pela pega de transporte (10).
- Deposite o aspirador num recinto seco com base plana e proteja-o contra utilização não autorizada.
- Para travar os roletes de guia (17) pressione o travão dos roletes de guia (18) para baixo.
- Para o transporte mais simples e cómodo do aspirador, esvazie completamente o recipiente ou descarte o saco de plástico/saco de filtro de velo cheio.
- Desbloqueie o travão dos roletes de guia (18) para empurrar ou puxar o aspirador.
- Utilize apenas o estribo guia extraído (42) para empurrar ou puxar o aspirador. O aspirador não pode ser puxado pelo estribo guia em degraus de escadas. Neste caso, deve ser usada a pega de transporte.
- Certifique-se de que não existe ninguém diretamente atrás de si ao transportar o aspirador nas escadas, caso o aspirador seja deixado cair inadvertidamente.

Eliminação de falhas

- ▶ **Se ocorrer uma falha (p. ex. quebra do filtro), o aspirador tem de ser desligado de imediato. A falha tem de ser eliminada antes da nova colocação em funcionamento.**

Problema	Solução
A turbina de aspiração não arranca.	<p>Verificar o cabo de corrente elétrica, a ficha de rede, a proteção, a tomada e os sensores do nível de enchimento (45).</p> <p>O interruptor principal (2) encontra-se em "Sistema start/stop automático".</p> <p>Colocar o interruptor principal (2) no símbolo "Aspirar" ou ligar a ferramenta elétrica conectada à tomada (4).</p>
A turbina de aspiração desliga-se.	<p>Na aspiração de líquidos os indicadores LED A e M piscam lentamente e em simultâneo.</p> <p>Esvaziar o recipiente (1).</p> <p>Na aspiração a seco os indicadores LED A e M piscam rapidamente e em simultâneo: a proteção contra sobrecarga da tomada no aspirador está ativada.</p> <p>Desligar a ferramenta elétrica.</p>
O aspirador desliga-se.	<p>Sobrecarga do aspirador quando a tensão máxima da tomada no aspirador é excedida: o fusível de proteção do motor dispara.</p> <p>Envie o aspirador para um posto de assistência técnica Bosch autorizado.</p>
A turbina de aspiração não arranca depois de se esvaziar o recipiente.	<p>Desligar o aspirador e esperar 5 s, após os 5 s voltar a ligar.</p> <p>Limpar os sensores do nível de enchimento (45) assim como o espaço intermédio dos sensores do nível de enchimento (45) com uma escova.</p>
O poder de aspiração enfraquece.	<p>Eliminar os entupimentos do bocal de aspiração, do tubo de aspiração, da mangueira de aspiração (29) ou do filtro de pregas (34).</p> <p>Trocar o saco de plástico (32)/saco de filtro de velo (40).</p> <p>Engatar corretamente a cobertura do filtro (43).</p> <p>Colocar corretamente a parte superior do aspirador (12) e fechar os fechos (15).</p> <p>Substituir o filtro de pregas (34).</p>
Saída de pó ao aspirar	<p>Verificar a montagem correta do filtro de pregas planas (34).</p> <p>Substituir o filtro de pregas (34).</p>
O dispositivo de desligamento automático (aspirar líquidos) não arranca.	<p>Limpar os sensores do nível de enchimento (45) assim como o espaço intermédio dos sensores do nível de enchimento (45) com uma escova.</p> <p>Verificar regularmente o nível de enchimento.</p>
A limpeza automática do filtro não funciona.	<p>Mude para o modo manual pressionando a tecla Limpeza manual do filtro (7).</p> <p>Se o problema persistir, dirija-se a um posto de assistência técnica Bosch autorizado.</p>
Não é possível ativar a limpeza manual do filtro.	<p>A proteção contra sobreaquecimento do aspirador está ativada.</p> <p>A pressão 10 vezes contínua da tecla Limpeza manual do filtro (7) ativou a proteção contra sobreaquecimento. A proteção contra sobreaquecimento é suprimida automaticamente após 20 s.</p> <p>A pressão 30 vezes contínua da tecla Limpeza manual do filtro (7) ativou a proteção contra sobreaquecimento. A proteção contra sobreaquecimento é suprimida automaticamente após 4 min.</p> <p>Se o problema persistir, dirija-se a um posto de assistência técnica Bosch autorizado.</p>
A limpeza automática do filtro não é ativada.	<p>Entre em contacto com um posto de assistência técnica Bosch autorizado.</p>

Serviço pós-venda e aconselhamento

O serviço pós-venda responde às suas perguntas a respeito de serviços de reparação e de manutenção do seu produto, assim como das peças sobressalentes. Desenhos explodidos e informações sobre peças sobressalentes encontram-se em: www.bosch-pt.com

A nossa equipa de consultores Bosch esclarece com prazer todas as dúvidas a respeito dos nossos produtos e acessórios.

Indique para todas as questões e encomendas de peças sobressalentes a referência de 10 dígitos de acordo com a placa de características do produto.

Brasil

Robert Bosch Ltda. – Divisão de Ferramentas Elétricas
Rodovia Anhanguera, Km 98 - Parque Via Norte
13065-900, CP 1195
Campinas, São Paulo
Tel.: 0800 7045 446
www.bosch.com.br/contato

Outros endereços de serviço encontram-se em:

www.bosch-pt.com/serviceaddresses

Eliminação

Aspirador, acessórios e embalagens devem ser reciclados de forma ambientalmente correta.



Não deite o aspirador para o lixo doméstico!

Español**Indicaciones de seguridad para aspiradores**

Lea íntegramente estas indicaciones de seguridad e instrucciones. Las faltas de observación de las indicaciones de seguridad y de las instrucciones pueden causar descargas eléctricas, incendios y/o lesiones graves.

Guardar todas las advertencias de peligro e instrucciones para futuras consultas.

- ▶ **Este aspirador no está previsto para la utilización por niños y personas con limitadas capacidades físicas, sensoriales o intelectuales o con falta de experiencia y conocimientos.** En caso contrario, existe el peligro de un manejo erróneo y lesiones.
- ▶ **Vigile los niños.** Así se asegura, que los niños no jueguen con el aspirador.
- ▶ **Observe todas las normas de seguridad relativas a los materiales que se van a aspirar.**
- ▶ **No aspire madera de haya o roble, polvo de piedra o asbesto.** Estas sustancias son cancerígenas.

⚠ ADVERTENCIA

Utilice el aspirador solamente si ha recibido suficiente información para el uso del aspirador, sobre las

sustancias que deben ser absorbidas y para su eliminación segura. Una instrucción exhaustiva reduce el riesgo de un manejo incorrecto y lesión.

⚠ ADVERTENCIA

El aspirador es adecuado para aspirar sustancias secas y con medidas adecuadas también para aspirar

líquidos. La penetración de líquidos aumenta el riesgo de una descarga eléctrica.

- ▶ **No utilice la aspiradora para aspirar líquidos inflamables o explosivos, como gasolina, aceite, alcohol o disolventes. No aspire polvos calientes, ardientes o explosivos. No opere la aspiradora en ámbitos con riesgo de explosión.** El material en polvo, los vapores o los líquidos pueden incendiarse o explotar.

⚠ ADVERTENCIA

Utilice únicamente la caja de enchufe para los fines especificados en las instrucciones de servicio.

⚠ ADVERTENCIA

Apague inmediatamente el aspirador, tan pronto como se escape la espuma o el agua y vacíe el recipiente.

En caso contrario podría dañarse el aspirador.

- ▶ **¡ATENCIÓN! El aspirador solo debe guardarse en espacios interiores.**
- ▶ **¡ATENCIÓN! Limpie los sensores de nivel de líquido periódicamente y verifique si están dañados.** De lo contrario, la función puede verse afectada.
- ▶ **Si fuese imprescindible utilizar el aspirador en un entorno húmedo, es necesario conectarlo a través de un interruptor de protección FI.** La aplicación de un fusible diferencial reduce el riesgo a exponerse a una descarga eléctrica.
- ▶ **Verifique el aspirador, los cables y los conectores antes de cada uso. No use el aspirador si detecta daños. No abra el aspirador usted mismo y sólo déjelo reparar por personal técnico calificado y sólo con repuestos originales.** Los aspiradores, cables, o enchufes dañados comportan un mayor riesgo de electrocución.
- ▶ **No aplaste ni pase por sobre el cable. No tire del cable para sacar el enchufe de la caja de enchufe o para mover el aspirador.** Un cable dañado comporta un mayor riesgo de electrocución.
- ▶ **Retire el enchufe de la caja de enchufe antes de realizar tareas de mantenimiento o limpieza en el aspirador, ajustes del aparato, cambiar accesorios o guardar el aspirador.** Esta medida preventiva reduce el riesgo de conectar accidentalmente el aspirador.
- ▶ **Observe que esté bien ventilado el puesto de trabajo.**
- ▶ **Sólo deje reparar el aspirador por personal técnico calificado y sólo con repuestos originales.** Con ello se mantiene la seguridad del aspirador.

⚠ ADVERTENCIA

El aspirador contiene polvo nocivo. Deje que las operaciones de vaciado y mantenimiento, incluida la

extracción de los colectores de polvo, se lleven a cabo sólo por personal calificado. Se requiere un equipo de protección apropiado. No opere el aspirador sin el sistema de filtro completo y correctamente colocado. De lo contrario ello podría afectar a su salud.

- ▶ **Antes de la puesta en servicio, verifique el perfecto estado de la manguera de aspiración. Al hacerlo, deje montada la manguera de aspiración en el aspirador para que el polvo no se escape involuntariamente.** En caso contrario podría llegar Ud. a inspirar polvo.
- ▶ **No utilice el aspirador como asiento.** Podría dañar el aspirador.
- ▶ **Utilice el cable de la red y la manguera de aspiración con cuidado.** Podría poner en peligro a otras personas.
- ▶ **No limpie el aspirador con un chorro de agua directo.** Puede exponerse a una descarga eléctrica si penetra agua en la parte superior del aspirador.
- ▶ **Conecte el aspirador a una red de corriente debidamente conectada a tierra.** La caja de enchufe y el cable de prolongación deben tener un conductor protector apto funcionalmente.
- ▶ **El enchufe macho de conexión, debe ser conectado solamente a un enchufe hembra de las mismas características técnicas del enchufe macho en materia.**
- ▶ **No utilice la caja de enchufe del aspirador cuando aspire en húmedo o en un ambiente húmedo.** El contacto con el agua puede provocar un cortocircuito o una descarga eléctrica.

Símbolos

Los símbolos mostrados a continuación pueden ser de importancia en el uso del aspirador. Es importante que retenga en su memoria estos símbolos y su significado. La interpretación correcta de estos símbolos le ayudará a manejar mejor, y de forma más segura, el aspirador.

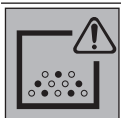
Simbología y su significado



¡ADVERTENCIA! Lea íntegramente estas indicaciones de seguridad e instrucciones. Las faltas de observación de las indicaciones de seguridad y de las instrucciones pueden causar descargas eléctricas, incendios y/o lesiones graves.



Aspirador para clase de polvo L según IEC/EN 60335-2-69 para **aspirar en seco** polvos nocivos para la salud con un valor límite de exposición de $> 1 \text{ mg/m}^3$



¡ADVERTENCIA! El aspirador contiene polvo nocivo. Deje que las operaciones de vaciado y mantenimiento, incluida la extracción de los colectores de polvo, se lleven a cabo sólo por personal calificado. Se requiere un equipo de protección apropiado. No utilice el aspirador sin tener el sistema de filtro

Simbología y su significado

completa y correctamente colocado.

De lo contrario, podría afectar a su salud.



**max. 1 L-Boxx
max. 15 kg**

Sólo hacer un clic en una caja L-Boxx.

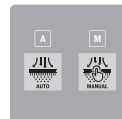
El peso de la caja L-Boxx con el contenido no debe sobrepasar los 15 kg.



No cuelgue el aspirador de polvo, p. ej. para transportarlo, en un gancho de grúa. El aspirador de polvo no es apto para una grúa. Existe el riesgo de lesiones y daños.



No utilice el aspirador de polvo como asiento, escalera o peldaño. El aspirador podría volcar y dañarse. Existe peligro de lesión.



A

A

Indicador LED de modo de limpieza automática del filtro

M

M

Indicador LED de modo de limpieza manual del filtro



Tecla de limpieza automática del filtro



Tecla de limpieza manual del filtro



Sistema automático de arranque y parada

Aspiración del polvo generado por las herramientas eléctricas en funcionamiento; el aspirador se conecta automáticamente y se desconecta con un retardo de tiempo.

La caja de enchufe del aspirador está permanentemente bajo tensión.



Desconexión

La caja de enchufe del aspirador está sin corriente.



Aspiración

Aspiración del polvo depositado y del polvo del sistema de aspiración.

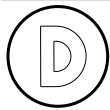
Simbología y su significado

La caja de enchufe del aspirador está permanentemente bajo tensión.

**Mín./Máx.**

Regulación continua de la fuerza de aspiración:

- máxima potencia de aspiración para aplicaciones con alta generación de polvo
- reducida potencia de aspiración para aplicaciones con baja generación de polvo y para regular la fuerza de aspiración entre la herramienta eléctrica conectada y la superficie de la pieza de trabajo (p. ej. al lijar)



En este aspirador está activado el registro de datos.

max.
2100 W
mín.
100 W

Indicación de la potencia de conexión admisible de la herramienta eléctrica conectada (especifica del país)

Descripción del producto y servicio

Tenga en cuenta las figuras que aparecen en la parte delantera de las instrucciones de uso.

Utilización reglamentaria

El aspirador está determinado para captar, aspirar, impulsar y separar polvos secos no inflamables y líquidos no inflamables. El aspirador ha sido ensayado en cuanto a sus propiedades técnicas para la aspiración de polvo, y corresponde a la categoría de polvo L. El aspirador es apropiado para el gran número de aplicaciones en el uso industrial, p. ej. en la artesanía, la industria y en los talleres.

Aspiradores de polvo clase L según IEC/EN 60335-2-69 sólo se pueden utilizar para la absorción y aspiración de polvos nocivos con un valor límite de exposición de $> 1 \text{ mg/m}^3$.

Únicamente utilice el aspirador si conoce y domina por completo todas sus funciones, o si ha sido instruido al respecto.

Componentes representados

La numeración de los componentes está referida a la representación del aspirador en las páginas ilustradas.

- (1) Depósito
- (2) Interruptor principal
- (3) Soporte de manguera
- (4) Caja de enchufe para herramienta eléctrica
- (5) Indicador LED **A** de modo de limpieza automática del filtro

(6) Indicador LED **M** de modo de limpieza manual del filtro

(7) Tecla de limpieza manual del filtro

(8) Tecla de limpieza automática del filtro

(9) Regulador de potencia de aspiración

(10) Asa de transporte

(11) Alojamiento de la caja L-BOXX

(12) Parte superior del aspirador

(13) Cinta de tracción

(14) Abertura de fijación

(15) Cierre de la parte superior del aspirador

(16) Rueda

(17) Rodillo guía

(18) Freno de rodillo guía

(19) Soporte de cable

(20) Rieles de guía para el estribo de guía extensible

(21) Zona trasera del asidero

(22) Soporte para boquilla de suelo

(23) Boquilla para suelo

(24) Boquilla de cepillo combinada

(25) Adaptador de aspiración combinado (para herramienta eléctrica)

(26) Brida de cierre de la cubierta del filtro

(27) Cubierta del prefiltro

(28) Tecla de desenclavamiento del prefiltro

(29) Manguera de aspiración

(30) Tubo de aspiración

(31) Boquilla encorvada

(32) Bolsa de plástico

(33) Abertura de paso de aire

(34) Filtro plisado plano

(35) Botón de tubo flexible de aspiración

(36) Adaptador de PowerTool (parte delantera)

(37) Adaptador de PowerTool (parte trasera)

(38) Tecla de desenclavamiento de boquilla de cepillo combinada

(39) Soporte de bolsa de filtro de vellón^{a)}

(40) Bolsa de filtro de vellón^{a)}

(41) Botón de estribo de guía^{a)}

(42) Estribo de guía extensible^{a)}

(43) Cubierta del filtro plisado plano

(44) Prefiltro

(45) Sensor de nivel de llenado

(46) Flotador

(47) Bloqueo de flotador

(48) Imán

a) Estos accesorios no corresponden al material que se adjunta de serie.

Datos técnicos

Aspirador en húmedo/seco		GAS 400 A	GAS 400 A
Número de artículo 3 601 JMO 020/... 0F0 ... 080/... 0E0/... 0N0 ... 0K0 ... 0L0/... 070 ... 0H0 ... 030	... 0D0/... 0G0 ... 0C0 ... 060
Potencia absorbida nominal	W	1200	1200
Frecuencia	Hz	50-60	60
Volumen del depósito (bruto)	l	40	40
Volumen neto (seco)	l	28	26
Volumen neto (líquido)	l	20	18
Depresión ^{A)}			
- Aspirador	hPa	200	180
- Turbina	hPa	230	200
Caudal ^{A)}			
- Aspirador	l/s	28	26
	m ³ /h	100,8	93,6
- Turbina	l/s	71,5	70
	m ³ /h	257	252
Clase de polvo		L	L
Peso ^{B)}	kg	14,0	14,5
Clase de protección		⊕/I	⊕/I
Grado de protección		IPX4	IPX4

A) medido con una manguera de aspiración de 28 mm de Ø y 4 m de longitud

B) Peso sin cable de conexión a la red y sin enchufe de red

Las especificaciones son válidas para las tensiones nominales indicadas. Estas indicaciones pueden variar con tensiones divergentes y en ejecuciones específicas del país.

Los valores pueden variar dependiendo del producto y están sujetos a la aplicación y a las condiciones medioambientales. Más información en www.bosch-professional.com/wac.

Caja de enchufe en el aspirador

Potencia de conexión admisible de la herramienta eléctrica conectada			
3 601 JMO ...	Tensión nominal	Máxima potencia	Mínima potencia
... 020/... 0F0	230 V	2100 W	100 W
... 080/... 0E0/... 0N0	220 V	2100 W	100 W
... 0K0	220-230 V	2100 W	100 W
... 0L0/... 070	220-240 V	1660 W	100 W
... 0H0	220 V	1000 W	100 W
... 030	230 V	1100 W	100 W
... 0D0/... 0G0	127 V	705 W	100 W
... 0C0	115 V	525 W	100 W
... 060	110 V	560 W	100 W

Indicación de la potencia de conexión admisible de la herramienta eléctrica conectada.

En otros modelos específicos de país pueden divergir estos valores. Por favor, observe las indicaciones en la caja de enchufe del aspirador.

Información sobre ruidos y vibraciones

Valores de emisión de ruidos determinados según EN 60335-2-69.

El nivel de presión acústica valorado con A del aspirador asciende típicamente a menos de 73 dB(A).

Inseguridad K = 2 dB. El nivel de ruidos durante el trabajo puede sobrepasar los valores indicados. **¡Utilice protección para los oídos!**

Valores totales de vibración a_{h} (suma vectorial de tres direcciones) e inseguridad K determinada según EN 60335-2-69:

$a_{\text{h}} < 2,5 \text{ m/s}^2$, $K = 1,5 \text{ m/s}^2$.

Montaje

► **Retire el enchufe de la caja de enchufe antes de realizar tareas de mantenimiento o limpieza en el aspirador, ajustes del aparato, cambiar accesorios o guardar el aspirador.** Esta medida preventiva reduce el riesgo de conectar accidentalmente el aspirador.

Montaje de accesorios de aspiración (ver figura A)

La manguera de aspiración (29) está equipada con un sistema de clip para poder conectar los accesorios de aspiración (adaptador de aspiración combinado (25), boquilla curvada (31), boquilla de cepillo combinada (24)).

Montaje de la boquilla encorvada

- Inserte la boquilla encorvada (31) sobre la manguera de aspiración (29), hasta que encastran de forma audible los dos botones de presión (35) de la manguera de aspiración.
- Para el desmontaje, oprima los botones de presión (35) hacia el interior y separe los componentes.

Montar las boquillas de suelo y los tubos

- En caso de necesidad, inserte los tubos de aspiración (30) firmemente uno dentro del otro y luego también firmemente sobre la boquilla encorvada (31).
- Conecte firmemente la boquilla de suelo (23) en el tubo de aspiración (30) o en la boquilla encorvada (31).

Montaje del adaptador de aspiración combinado

El adaptador de aspiración combinado (25) está integrado por el adaptador de PowerTool (parte delantera) (36) y el adaptador de PowerTool (parte trasera) (37).

El adaptador de aspiración combinado (25) es compatible con las herramientas eléctricas Bosch.

El adaptador de PowerTool (parte trasera) (37) puede utilizarse para herramientas eléctricas de otros fabricantes gracias a su diámetro interior de 38,5 mm y exterior de 45 mm. Coloque el adaptador de PowerTool (parte delantera) (36) en el adaptador de PowerTool (parte trasera) (37) y una los dos adaptadores girándolos en direcciones opuestas (ver figura B).

Inserte el adaptador de aspiración combinado (25) sobre la manguera de aspiración (29), hasta que encastran de forma audible los dos botones de presión (35) de la manguera de aspiración.

Para el desmontaje, oprima los botones de presión (35) hacia el interior y retire el adaptador de aspiración combinado de la manguera de aspiración.

Para separar ambos adaptadores, afloje la conexión girando en direcciones opuestas y separe los adaptadores.

Montaje de la boquilla de cepillo combinada

Inserte la boquilla de cepillo combinada (24) sobre la manguera de aspiración (29), hasta que encastran de forma audible los dos botones de presión (35) de la manguera de aspiración.

Para el desmontaje, oprima los botones de presión (35) hacia el interior y separe los componentes.

Ajuste de la boquilla de cepillo combinada (ver figura C)

Puede utilizar la boquilla del cepillo combinado (24) como boquilla para hendiduras o como cepillo.

Presione la tecla de desenclavamiento (38) y desplace el cepillo hacia delante para utilizar la boquilla del cepillo combinado (24) como cepillo.

Presione la tecla de desenclavamiento (38) y tire del cepillo hacia delante para utilizar la boquilla del cepillo combinado (24) como boquilla para hendiduras.

Montaje de la manguera de aspiración (ver figura D)

Coloque la manguera de aspiración (29) en la boquilla de conexión (3) y gírela en el sentido de las agujas del reloj hasta el tope.

Indicación: Durante la aspiración se genera una carga electrostática por la fricción del polvo en la manguera y en los accesorios de aspiración, la cual la puede sentir el usuario en forma de una descarga estática (en función de las influencias del medio ambiente y la sensibilidad física).

En general, Bosch recomienda usar una manguera de aspiración antiestática (accesorio) al aspirar polvo fino y materiales secos.

Fijación de la manguera de aspiración al aspirador (ver figura E)

Enrolle la manguera de aspiración montada (29) en el compartimento para la manguera de aspiración. Tire las dos cintas de tracción (13) hacia arriba y engánchelas en las aberturas de fijación (14).

Colocar/quitar la bolsa de plástico (aspiración en seco) (ver figura F)

Abra los dos cierres (15) y retire la parte superior del aspirador (12).

Para la aspiración en seco, coloque una bolsa de plástico (32) en el depósito (1).

Coloque el saco de plástico (32) con la abertura de llenado hacia arriba en el depósito (1).

Asegúrese, que el saco de plástico (32) quede completamente apoyado en las paredes interiores del depósito (1). Doble el resto del saco de plástico (32) sobre el borde del depósito (1). Asegúrese de que la línea de tope de la bolsa de plástico quede en el borde del depósito y de que las aberturas de paso del aire (33) permanezcan en el depósito.

Vuelva a colocar la parte superior del aspirador (12) y cierre el aspirador con los cierres (15).

► **Preste atención a que el aspirador esté siempre bien cerrado.**

Cierre la bolsa de plástico, antes de sacarla. Sujete la bolsa por la parte superior y anúdela con una cinta.

Colocar/quitar la bolsa de filtro de vellón (aspiración en seco) (ver figuras G–H)

Para la aspiración en seco de materiales correspondientes a la clase de polvo L puede utilizar una bolsa de filtro de vellón (40) (accesorio).

Si se aspiran sustancias sin o con un valor límite de exposición $\geq 1 \text{ mg/m}^3$ (correspondiente a la clase de polvo L), puede ser aspirado directamente en el depósito.

Indicación: Desconecte la limpieza automática del filtro al utilizar la bolsa de filtro de vellón (ver "Limpieza automática/manual del filtro (ver figura M)", Página 45).

⚠ ADVERTENCIA El aspirador contiene polvo nocivo. Deje que las operaciones de vaciado y mantenimiento, incluida la

extracción de los colectores de polvo, se lleven a cabo sólo por personal calificado. Se requiere un equipo de protección apropiado. No opere el aspirador sin el sistema de filtro completo y correctamente colocado. De lo contrario ello podría afectar a su salud.

Abra los cierres (15) y retire la parte superior del aspirador (12).

Para la aplicación, coloque la bolsa de filtro de vellón (40) en el soporte correspondiente (39) e introduzca la bolsa de filtro de vellón (40) con el soporte correspondiente (39) en el depósito (1).

Para la extracción, cierre la abertura de la bolsa de filtro de vellón llena tirando del cierre. Saque la bolsa de filtro de vellón cerrada (40) del soporte de la bolsa de filtro de vellón (39) y retírela del aspirador.

Vuelva a colocar la parte superior del aspirador (12) y cerrando los cierres (15) una el depósito (1) con la parte superior del aspirador (12).

Prender la caja L-BOXX (ver figura I)

Para el transporte del aspirador y para el ahorro de espacio de almacenamiento de accesorios del aspirador y/o herramientas eléctricas, puede prender una caja L-BOXX sobre la parte superior del aspirador.

Fije la manguera de aspiración en el aspirador (ver figura E). Encaje la caja L-BOXX sobre el alojamiento (11).

► **No lleve a cabo una aspiración con la caja L-BOXX encajada.** El centro de gravedad del aspirador se desplaza

hacia arriba. El aspirador puede volcarse. Existe el riesgo de lesiones y daños.

► **No transporte el aspirador por el asa de transporte de la caja L-BOXX encajada.** El aspirador es demasiado pesado para el asa de transporte de la caja L-BOXX. Existe el riesgo de lesiones y daños.

Montaje del estribo de guía extensible (accesorio) (ver figuras J–K)

Indicación: El estribo de guía extensible no se puede desmontar. Asegúrese de que el estribo de guía esté correctamente alineado en el montaje.

Alinee el estribo de guía (42) utilizando las marcas R (derecha) y L (izquierda) antes de colocarlo.

Coloque el estribo de guía (42) en los rieles de guía (20).

Presione el estribo de guía (42) hacia abajo hasta la línea de tope hasta que el estribo de guía encastre de forma audible.

Presione el botón (41), para modificar la longitud del estribo de guía (42).

Operación

► **Retire el enchufe de la caja de enchufe antes de realizar tareas de mantenimiento o limpieza en el aspirador, ajustes del aparato, cambiar accesorios o guardar el aspirador.** Esta medida preventiva reduce el riesgo de conectar accidentalmente el aspirador.

Puesta en marcha

► **¡Observe la tensión de red!** La tensión de la fuente de corriente deberá coincidir con las indicaciones en la placa de características del aspirador.

► **Infórmese sobre las regulaciones/legislación vigentes en su país relativas a la manipulación de materiales en polvo nocivos para la salud.**

El aspirador es apropiado para aspirar y extraer los materiales siguientes:

– Polvos con un valor límite de exposición $> 1 \text{ mg/m}^3$

En ningún caso deberá utilizarse el aspirador en recintos con peligro de explosión.

A fin de garantizar una potencia óptima de aspiración, la manguera de aspiración (29) debe desenrollarse siempre completamente del soporte de la manguera de aspiración (12).

Regulación de la potencia de aspiración

Mediante el regulador de potencia de aspiración (9) puede ajustar sin escalones la potencia de aspiración.

Ajuste el regulador de potencia de aspiración (9) a la máxima potencia de aspiración para aplicaciones con gran generación de polvo.

Ajuste el regulador de potencia de aspiración (9) en la posición de potencia de aspiración reducida para aplicaciones con baja generación de polvo y para regular la fuerza de aspiración entre la herramienta eléctrica conectada y la superficie de la pieza de trabajo (p. ej., al lijar).

Caja de enchufe en el aspirador

- **Observe la potencia de conexión admisible de la caja de enchufe del aspirador. En caso de sobrepasar la potencia de conexión máxima admisible, puede producirse una sobrecarga del aspirador. El fusible de protección del motor se activa.** Envíe el aspirador a un centro de servicio autorizado de **Bosch**.

Tan pronto como el enchufe del aspirador esté conectado a la caja de enchufe y el interruptor principal esté en la posición **1**, la caja de enchufe para herramientas eléctricas (**4**) está bajo tensión. Puede utilizarse como toma de corriente externa en el aspirador, p. ej., cuando se trabaja con sistemas de aspiración. En la posición **1+**, está activado el sistema automático de arranque/parada del aspirador. A través de la herramienta eléctrica conectada, el aspirador puede conectarse por control remoto.

Aspiración en seco

Aspiración de polvos depositados



Para **conectar el aspirador**, gire el interruptor principal (**2**) a la posición **1**.



Para **desconectar el aspirador**, gire el interruptor principal (**2**) a la posición **0**.

Aspiración de los polvos generados por herramientas eléctricas en funcionamiento (ver figura L)

- **La tasa de renovación de aire en el cuarto deberá ser suficiente, si el aire de salida es expulsado en el cuarto. Observe las prescripciones legales nacionales al respecto.**

En el aspirador se ha integrado una caja de enchufe para herramientas eléctricas (**4**). En esta caja de enchufe puede conectar una herramienta eléctrica externa. Tenga en cuenta la potencia máxima admisible de la herramienta eléctrica conectada.

Montaje del adaptador de aspiración combinado (**25**) (ver figura **B**).

Inserte el adaptador de aspiración combinado (**25**) en el racor de aspiración de la herramienta eléctrica.



Para **conectar el sistema automático de arranque/parada** del aspirador, gire el interruptor principal (**2**) a la posición **1+**.

Para la **puesta en servicio del aspirador**, encienda la herramienta eléctrica conectada a la caja de enchufe (**4**). El aspirador arranca automáticamente.

Desconecte la herramienta eléctrica, para que **la aspiración finalice**.

El funcionamiento posterior del sistema automático de arranque/parada sigue funcionando hasta 15 s, para aspirar los polvos remanentes en la manguera de aspiración.



Para **desconectar el aspirador**, gire el interruptor principal (**2**) a la posición **0**.

Utilización del sistema de aspiración (accesorio)



Conecte el sistema de aspiración a la manguera de aspiración (**29**).

Para **aspirar el polvo mediante el sistema de aspiración**, gire el interruptor principal (**2**) a la posición **1**.

Sujete el sistema de aspiración contra la pared y conecte la herramienta eléctrica. El sistema de aspiración se adhiere automáticamente debido a la depresión resultante.

Desconecte la herramienta eléctrica y retire con cuidado el sistema de aspiración de la pared.



Para **desconectar el aspirador**, gire el interruptor principal (**2**) a la posición **0**.

Aspiración en húmedo

- **No utilice la aspiradora para aspirar líquidos inflamables o explosivos, como gasolina, aceite, alcohol o disolventes. No aspire polvos calientes, ardientes o explosivos. No opere la aspiradora en ámbitos con riesgo de explosión.** El material en polvo, los vapores o los líquidos pueden incendiarse o explotar.
- **El aspirador no debe usarse como una bomba de agua.** El aspirador está diseñado para absorber mezcla de aire y agua.

Indicación: Los requisitos para el grado de transmitancia (clase de polvo L) sólo se probaron para la aspiración en seco.

Antes de la aspiración en húmedo

Vacíe el depósito (**1**) y retire la bolsa de plástico (**32**) o la bolsa de filtro de vellón (**40**).

Compruebe si el sensor de nivel de llenado (**45**) está sucio. Sólo un sensor de nivel de llenado limpio permite que el aspirador se desconecte automáticamente al alcanzar el nivel de llenado lleno del depósito (ver "Limpieza del sensor de nivel de llenado (ver figuras **Q-R**)", Página 46).

- **La limpieza automática del filtro debe estar desactivada durante la aspiración en húmedo.**

Presione la tecla de limpieza automática del filtro (**8**), para activar la limpieza manual del filtro (ver "Limpieza manual del filtro", Página 45). La limpieza automática del filtro se desactiva y el indicador LED **A (5)** se apaga.

Aspiración de líquidos

⚠ ADVERTENCIA **Apague inmediatamente el aspirador, tan pronto como se escape la espuma o el agua y vacíe el recipiente.** En caso contrario podría dañarse el aspirador.

Para **conectar el aspirador**, gire el interruptor principal (**2**) a la posición **1**.

El aspirador está equipado con sensores de nivel de llenado (45). Una vez alcanzado el nivel máximo de llenado, el aspirador se desconecta automáticamente y los dos indicadores LED A (5) y M (6) parpadean simultáneamente 1 vez por segundo. La protección contra re arranque está activada y puede desactivarse conectando y desconectando el aspirador 1 vez.

Indicación: Compruebe periódicamente el nivel de llenado y vacíe el depósito a su debido tiempo.

Para **desconectar el aspirador**, gire el interruptor principal (2) a la posición 0.

Sujete el depósito (1) por la zona del asidero trasera (21) y gírelo hacia delante para vaciar el líquido.

Tras la aspiración en húmedo

Limpie el sensor de nivel de llenado después de cada aspiración en húmedo (45) (ver "Limpieza del sensor de nivel de llenado (ver figuras Q-R)", Página 46).

Tras la aspiración en húmedo para la prevención de crecimiento de moho:

- Saque el filtro plisado plano (34) y déjelo secar bien.
- Retire la parte superior del aspirador (12), abra la cubierta del filtro (43) y deje secar bien ambos componentes.

Limpieza automática/manual del filtro (ver figura M)

Limpieza automática del filtro

Indicación: La limpieza automática del filtro está ajustada de modo estándar al conectar el aspirador.

El indicador LED A (5) se ilumina permanentemente.

Durante la limpieza automática del filtro, el filtro plisado plano (34) se limpia cada 15 s mediante 2 impulsos de aire (ruido pulsante).

El uso regular de la limpieza del filtro aumenta la vida útil del filtro.

Para lograr una vida útil ideal del filtro, desactive la función de limpieza automática del filtro sólo en casos excepcionales, p. ej., al aspirar en húmedo.

Limpieza manual del filtro

Presione la tecla de limpieza automática del filtro (7), para realizar la limpieza manual del filtro. El filtro plisado plano (34) se limpia mediante 2 impulsos. El indicador LED M (6) se ilumina en blanco durante 2 s. Cuando el indicador LED M (6) se apaga, se puede activar el siguiente impulso de aire. Para ello, presione de nuevo la tecla de limpieza manual del filtro (7).

Indicación: En caso de limpieza manual del filtro, asegúrese de que el intervalo temporal entre cada pulsación de la tecla sea de 2-3 s. La repetida pulsación continuada de la tecla de limpieza manual del filtro (7) conduce a la activación de la protección contra sobrecalentamiento del aspirador. La protección contra el sobrecalentamiento se cancela automáticamente al cabo de un tiempo (ver "Remedio de perturbaciones", Página 46).

Para desactivar la limpieza manual del filtro, presione la tecla de limpieza automática del filtro (8).

Un filtro plisado plano con superficie sucia es apto funcionalmente. Una limpieza manual del filtro plisado plano golpeándolo o soplándolo no es necesario e incluso puede dañar el filtro.

Mantenimiento y servicio

Mantenimiento y limpieza

- ▶ **Retire el enchufe de la caja de enchufe antes de realizar tareas de mantenimiento o limpieza en el aspirador, ajustes del aparato, cambiar accesorios o guardar el aspirador.** Esta medida preventiva reduce el riesgo de conectar accidentalmente el aspirador.
- ▶ **Siempre mantenga limpio el aspirador y las rejillas de ventilación para trabajar con eficacia y seguridad.**

Si es necesario reemplazar el cable de conexión, entonces esto debe ser realizado por **Bosch** o por un servicio técnico autorizado para herramientas eléctricas **Bosch**, para evitar riesgos de seguridad.

- ▶ **Lleve una máscara protectora contra polvo en el mantenimiento y la limpieza del aspirador.**

Limpie la carcasa del aspirador de vez en cuando con un paño húmedo.

- ▶ **No limpie el aspirador con aire comprimido.** El filtro u otros componentes podrían resultar dañados.

Al menos una vez al año, el fabricante o una persona instruida debe realizar una inspección técnica del aspirador (p. ej., comprobar que los filtros no estén dañados, que no haya fugas en el aspirador y que los dispositivos de control funcionen correctamente).

Limpieza y mantenimiento después de aspirar sustancias perjudiciales para la salud

- Considere contaminadas todas las piezas que puedan haber estado en contacto con sustancias perjudiciales para la salud.
- Aspire, limpie o selle minuciosamente el exterior del aspirador antes de sacarlo de la zona con sustancias perjudiciales para la salud.
- Limpie, desmonte y realice el mantenimiento del aspirador sólo si puede hacerlo sin poner en peligro su vida o la de otras personas. Utilice un equipo de protección personal en los trabajos de mantenimiento y limpieza. Realice el trabajo en un espacio bien ventilado.
- Limpie primero el exterior del aspirador antes de desmontarlo.
- Elimine todas las piezas del aspirador que no puedan limpiarse satisfactoriamente en bolsas impermeables. Respete en ello las disposiciones vigentes para la eliminación de estos residuos.
- Limpie la zona de mantenimiento después de terminar el trabajo.

Limpiar el depósito

Limpie el depósito (1) de vez en cuando con producto de limpieza corriente en el comercio, no abrasivo, y déjelo que se seque.

Limpieza/cambio del filtro plisado plano (ver figuras N–O)

► **Al abrir la tapa del filtro, sujétela por la lengüeta de cierre y asegúrese de que la tapa del filtro abierta quede encastrada en posición vertical.** Al caer la tapa del filtro existe peligro de lesión.

La potencia de aspiración depende del estado del filtro. Por ese motivo, limpie el filtro periódicamente.

Cambie inmediatamente un filtro plisado plano dañado (34).

- Tire de la lengüeta de cierre (26) y gire la cubierta del filtro (43) hacia arriba, hasta que encastre en posición vertical.
- Tome el filtro plisado plano (34) por los perfiles y sáquelo hacia arriba.
- Elimine el polvo y la suciedad, que se genera al retirar el filtro plisado plano (34), con un paño húmedo desde el borde del depósito (1).
- El filtro plisado plano puede enjuagarse con agua corriente.
- Coloque un filtro plisado plano (34) nuevo o limpio y preste atención a un asiento seguro y correcto.
- Cierre la cubierta del filtro (43), de modo que encastre de forma audible.

Limpieza del prefiltro (ver figura P)

► **El prefiltro no debe limpiarse en húmedo.**

► **No introduzca la mano desde arriba entre el estribo de guía y el aspirador para desbloquear la cubierta del prefiltro.** De lo contrario, podría aprisionarse su mano.

Tire del estribo de guía (42) hacia arriba hasta que la cubierta del prefiltro quede libremente accesible desde detrás.

Presione la tecla de desenclavamiento (28) de la cubierta del prefiltro (27) y retírela del compartimento del prefiltro.

Retire el prefiltro (44).

Cepille las láminas del prefiltro con un cepillo blando.

Coloque el prefiltro en la cubierta del prefiltro (27).

Coloque la cubierta del prefiltro (27) en el compartimento del prefiltro y repliéguela.

Limpieza del sensor de nivel de llenado (ver figuras Q–R)

Saque el enchufe de red del aspirador de la caja de enchufe.

Retire la parte superior del aspirador (12).

Vacíe el depósito (1).

Mueva el flotador (46) o golpéelo ligeramente para eliminar la suciedad.

Limpie el flotador (46) con un paño suave.

Si es necesario, también puede retirar el flotador. Para ello, presione el enclavamiento (47) y extraiga el flotador (46).

Limpie el imán (48) con un cepillo.

Vuelva a colocar el flotador (46).

Almacenaje y transporte

- Enrolle el cable de red en el soporte de cables (19).
- Coloque los accesorios en los soportes previstos para ello.
- Enrolle la manguera de aspiración montada (29) en el compartimento para la manguera de aspiración. Tire las dos cintas de tracción (13) hacia arriba y engánchelas en las aberturas de fijación.
- Encaje la caja L-BOXX sobre el alojamiento (11).
- Retire la bolsa de plástico/bolsa de filtro de vellón en cuanto esté llena.
- Transporte el aspirador sólo por el asa de transporte (10).
- Guarde el aspirador en un espacio seco con suelo plano y asegúrelo contra un uso no autorizado.
- Para fijar los rodillos guías (17) pise hacia abajo el freno de rodillo guía (18).
- Para facilitar el transporte del aspirador y no dañar la espalda, vacíe completamente el depósito o deseche la bolsa de plástico/la bolsa del filtro de vellón llena.
- Desbloquee el freno de rodillo guía (18) para empujar o tirar el aspirador.
- Utilice únicamente el estribo de guía desplegado (42) para empujar o tirar el aspirador. El aspirador no debe arrastrarse por escalones con el estribo de guía. Para ello debe utilizarse el asa de transporte.
- Cuando suba la aspiradora por las escalas, asegúrese de que no hayan otras personas justo detrás de usted por si el aspirador se deja caer inesperadamente.

Remedio de perturbaciones

► **Si se presenta una perturbación (p. ej. rotura del filtro), debe desconectarse inmediatamente el aspirador. Antes de realizar una nueva puesta en servicio debe eliminarse la perturbación.**

Problema	Remedio
La turbina de aspiración no arranca.	Examinar el cable de red, el enchufe de red, el fusible, la caja de enchufe y los sensores de nivel de llenado (45). El interruptor principal (2) está en "Sistema automático de arranque/parada". Poner el interruptor principal (2) en el símbolo "Aspirar" o conectar la herramienta eléctrica enchufada en la caja de enchufe (4).
La turbina de aspiración se desconecta.	Durante la aspiración en húmedo, los indicadores LED A y M parpadean lenta y simultáneamente. Vaciar el depósito (1).

Problema	Remedio
	<p>Durante la aspiración en seco, los indicadores LED A y M parpadean rápida y simultáneamente: la protección contra sobrecarga de la caja de enchufe del aspirador está activada.</p> <p>Desconexión de la herramienta eléctrica.</p>
El aspirador se desconecta.	<p>Sobrecarga del aspirador por sobrepasar la tensión máxima de la caja de enchufe del aspirador: Se dispara el fusible de protección del motor.</p> <p>Envíe el aspirador a un centro de servicio autorizado de Bosch.</p>
La turbina de aspiración no arranca de nuevo tras vaciar el depósito.	<p>Desconectar el aspirador y esperar 5 s; tras 5 s volver a conectarlo.</p> <p>Limpiar los sensores de nivel de llenado (45) así como el intersticio de los sensores de nivel de llenado (45) con un cepillo.</p>
La fuerza de aspiración disminuye.	<p>Eliminar las obstrucciones de la boquilla de aspiración, del tubo de aspiración, de la manguera de aspiración (29) o del filtro plisado plano (34).</p> <p>Cambiar la bolsa de plástico (32)/bolsa de filtro de vellón (40).</p> <p>Encastrar correctamente la cubierta del filtro (43).</p> <p>Colocar correctamente la parte superior del aspirador (12) y cerrar los cierres (15).</p> <p>Cambiar el filtro plisado plano (34).</p>
Escape de polvo al aspirar	<p>Verificar el correcto montaje del filtro plisado plano (34).</p> <p>Cambiar el filtro plisado plano (34).</p>
El sistema automático de desconexión (aspiración en húmedo) no responde.	<p>Limpiar los sensores de nivel de llenado (45) así como el intersticio de los sensores de nivel de llenado (45) con un cepillo.</p> <p>Controlar permanentemente el nivel de llenado.</p>
La limpieza automática del filtro no funciona.	<p>Cambie al modo manual presionando la tecla de limpieza manual del filtro (7).</p> <p>Si el problema persiste, póngase en contacto con un centro de servicio autorizado de Bosch.</p>
No se deja activar la limpieza manual del filtro.	<p>La protección contra sobrecalentamiento del aspirador está activada.</p> <p>La pulsación de la tecla de limpieza manual del filtro (7) 10 veces continuamente ha activado la protección contra sobrecalentamiento. La protección contra el sobrecalentamiento se cancela automáticamente al cabo de 20 s.</p> <p>La pulsación de la tecla de limpieza manual del filtro (7) 30 veces continuamente ha activado la protección contra sobrecalentamiento. La protección contra el sobrecalentamiento se cancela automáticamente al cabo de 4 min.</p> <p>Si el problema persiste, póngase en contacto con un centro de servicio autorizado de Bosch.</p>
No se activa la limpieza automática del filtro.	<p>Póngase en contacto con un centro de servicio autorizado de Bosch.</p>

Servicio técnico y atención al cliente

El servicio técnico le asesorará en las consultas que pueda Ud. tener sobre la reparación y mantenimiento de su producto, así como sobre piezas de recambio. Los dibujos de despiece e informaciones sobre las piezas de recambio los podrá obtener también en: **www.bosch-pt.com**

Nuestro equipo de asesores técnicos le orientará gustosamente en cuanto a la adquisición, aplicación y ajuste de los productos y accesorios.

Para cualquier consulta o pedido de piezas de repuesto es imprescindible indicar el nº de artículo de 10 dígitos que figura en la placa de características del producto.

México

Robert Bosch, S. de R.L. de C.V.
 Calle Robert Bosch No. 405
 C.P. 50071 Zona Industrial, Toluca – Estado de México
 Tel.: (52) 55 528430-62
 Tel.: 800 6271286
 www.boschherramientas.com.mx

Encontrará más direcciones del servicio técnico en:

www.bosch-pt.com/serviceaddresses

Eliminación

El aspirador, los accesorios y los embalajes deberán someterse a un proceso de recuperación que respete el medio ambiente.



¡No arroje el aspirador a la basura doméstica!



El símbolo es solamente válido, si también se encuentra sobre la placa de características del producto/fabricado.

Português do Brasil

Indicações de segurança para aspiradores



Leia todas as indicações de segurança e instruções. O desrespeito das advertências e das instruções apresentadas abaixo pode causar choque elétrico, incêndio e/ou graves

lesões.

Guarde todas as indicações de segurança e as instruções para futuras consultas.

- ▶ **Este aspirador não se destina a ser utilizado por crianças e pessoas com capacidades físicas, sensoriais ou mentais limitadas ou com experiência e conhecimentos insuficientes.** Caso contrário, existe o perigo de utilização errada e ferimentos.
- ▶ **Vigie as crianças,** para se assegurar que elas não brincam com o aspirador.
- ▶ **Respeite todos os regulamentos de segurança para as substâncias a aspirar.**
- ▶ **Não aspire madeira de faia ou de carvalho, pó de pedra ou amianto.** Essas substâncias são cancerígenas.

AVISO

Use o aspirador apenas se você recebeu informações suficientes para o uso, para os materiais a aspirar e para a

eliminação segura dos mesmos. Uma instrução cuidadosa reduz as operações erradas e lesões.

AVISO

O aspirador é apropriado para aspirar substâncias secas e, através de medidas apropriadas, também para aspirar líquidos. A penetração de líquidos aumenta o risco de um choque elétrico.

- ▶ **Com o aspirador não devem ser aspirados líquidos inflamáveis ou explosivos, como por exemplo gasolina, óleo, álcool, solventes. Não aspire pós quentes ou inflamáveis ou explosivos. Não opere o aspirador em áreas com risco de explosão.** Os pós, vapores e líquidos podem inflamar e explodir.

AVISO

Só utilizar a tomada para as finalidades determinadas nas instruções de serviço.

AVISO

Desligue imediatamente o aspirador assim que sair espuma ou água e esvazie o recipiente. Caso contrário, é possível que o aspirador seja danificado.

- ▶ **ATENÇÃO! O aspirador só deve ser armazenado em recintos fechados.**
- ▶ **ATENÇÃO! Limpe regularmente os sensores do nível de enchimento para líquidos e verifique se estão danificados.** Caso contrário a função pode ser prejudicada.
- ▶ **Se não for possível evitar que o aspirador seja operado em áreas úmidas, deve-se utilizar um dispositivo de corrente diferencial (DR).** A utilização de um dispositivo de corrente diferencial (DR) reduz o risco de um choque elétrico.
- ▶ **Antes de cada utilização é necessário controlar o aspirador, o cabo e o plugue.** Não utilize o aspirador se forem verificados danos. Não abra pessoalmente o aspirador. Somente permita que seja reparado por pessoal qualificado e que sejam utilizadas apenas peças sobressalentes originais. Aspiradores, cabos e plugues danificados aumentam o risco de um choque elétrico.
- ▶ **Não atropelar nem esmagar o cabo. Não puxe pelo cabo para retirar o plugue da tomada nem para deslocar o aspirador.** Cabos danificados aumentam o risco de um choque elétrico.
- ▶ **Puxe o plugue da tomada antes da limpeza ou de realizar ajustes no aparelho, de substituir acessórios ou de guardar o aspirador.** Esta medida de segurança evita a partida involuntária do aspirador.
- ▶ **Providencie uma boa ventilação no local de trabalho.**
- ▶ **Mande reparar o aspirador por pessoas qualificadas com peças de substituição originais.** Desta forma fica garantido que as características de segurança do aspirador não são alteradas.

AVISO

O aspirador contém poeiras prejudiciais à saúde. Mande executar os processos de esvaziamento e manutenção, incluindo a eliminação do recipiente coletor do pó

exclusivamente por técnicos especializados. É necessário um equipamento de proteção adequado. Não opere o aspirador sem o sistema de filtro completo e bem colocado. Caso contrário, está prejudicando sua saúde.

- ▶ **Antes da colocação em funcionamento, controle o estado impecável da mangueira de aspiração. Deixe a mangueira de aspiração montada no aspirador para não sair inadvertidamente pó.** Caso contrário pode inspirar pó.
- ▶ **Não utilize o aspirador como assento.** O aspirador pode ser danificado.
- ▶ **Utilize o cabo de rede e a mangueira de aspiração com muito cuidado.** É possível que outras pessoas sejam colocadas em perigo.
- ▶ **Não limpe o aspirador com um jato de água direto.** A infiltração de água na parte superior do aspirador aumenta o risco de um choque elétrico.
- ▶ **Ligue o aspirador a uma rede de corrente elétrica corretamente ligada à terra.** A tomada e o cabo de extensão devem ter um condutor de proteção que funcione.
- ▶ **Não utilize a tomada no aspirador ao aspirar líquidos ou num ambiente úmido.** Devido ao contato com água existe o perigo de curto-circuito ou de choque elétrico.

Símbolos

Os seguintes símbolos podem ser importantes para a utilização do seu aspirador. Memorize os símbolos e o respetivo significado. A interpretação correta dos símbolos ajuda você a usar melhor e de forma mais segura o aspirador.

Símbolos e seus respetivos significados



AVISO! Ler todas as indicações de segurança e instruções. O desrespeito das indicações de segurança e das instruções apresentadas abaixo pode causar choque elétrico, incêndio e/ou graves lesões.



Aspirador da classe de pó L segundo IEC/EN 60335-2-69 para **aspirar a seco** pós prejudiciais para a saúde com valor limite de exposição > 1 mg/m³



AVISO! O aspirador contém poeiras prejudiciais à saúde. Mandar executar os processos de esvaziamento e manutenção, incluindo a eliminação do recipiente coletor de pó exclusivamente por técnicos especializados. É necessário um equipamento de proteção adequado. Não opere o aspirador sem o sistema de filtro completo e bem colocado. Caso contrário, está prejudicando sua saúde.

Símbolos e seus respetivos significados



**max. 1 L-Boxx
max. 15 kg**

Encaixar no máximo apenas uma L-BOXX.

O peso da L-BOXX não pode exceder os 15 kg juntamente com o conteúdo.



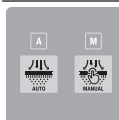
Não pendure o aspirador com um gancho de guindaste, p. ex. ao transportar.

O aspirador não pode ser transportado com gancho. Há perigo de lesões e de danos.



Não utilize o aspirador como assento nem subir nele.

O aspirador pode tombar e ser danificado. Há risco de lesões.



A

A

LED indicador do modo de limpeza automática do filtro

M

M

LED indicador do modo de limpeza manual do filtro



Tecla Limpeza automática do filtro



Tecla Limpeza manual do filtro



Sistema automático Partida/Parada

Aspirar o pó que se forma das ferramentas elétricas em funcionamento; o aspirador se liga automaticamente e se desliga de novo com atraso.

A tomada no aspirador se encontra permanentemente sob tensão.



Desligar

A tomada no aspirador se encontra sem corrente.



Aspirar

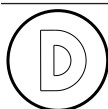
Aspirar o pó depositado e o pó do sistema de aspiração.

A tomada no aspirador se encontra permanentemente sob tensão.

Símbolos e seus respectivos significados**Mín./máx.**

Regulação progressiva da potência de aspiração:

- potência de aspiração máxima para aplicações com forte formação de pó
- potência de aspiração reduzida para aplicações com reduzida formação de pó e para regular a força de aspiração entre a ferramenta elétrica conectada e a superfície da peça (p. ex. ao lixar)



O registro de dados nesta ferramenta elétrica está ativado.

max.
2100 W
min.
100 W

Indicação da potência de conexão admissível da ferramenta elétrica conectada na tomada (específica do país)

Descrição e especificações do produto

Respeitar as ilustrações na parte da frente do manual de instruções.

Utilização adequada

O aspirador se destina a coletar, aspirar, transportar e separar pó seco não inflamável e líquidos não inflamáveis. O aspirador foi testado contra pó e corresponde à classe de pó L. É adequado para as elevadas exigências da utilização profissional, p. ex. nas artes e ofícios, na indústria e nas oficinas.

Os aspiradores da classe de pó L segundo IEC/EN 60335-2-69 destinam-se apenas a aspirar pó prejudiciais para a saúde com um valor limite de exposição > 1 mg/m³.

Use o aspirador apenas se souber avaliar e usar todas as funções sem limitações e se tiver recebido instruções suficientes sobre as mesmas.

Componentes ilustrados

A numeração dos componentes ilustrados refere-se à apresentação do aspirador nas páginas de esquemas.

- (1) Depósito
- (2) Interruptor principal
- (3) Suporte da mangueira
- (4) Tomada para a ferramenta elétrica
- (5) LED indicador **A** Modo de limpeza automática do filtro

- (6) LED indicador **M** Modo de limpeza manual do filtro
- (7) Botão Limpeza manual do filtro
- (8) Botão Limpeza automática do filtro
- (9) Regulador da potência de aspiração
- (10) Punho de transporte
- (11) Encaixe da L-BOXX
- (12) Parte superior do aspirador
- (13) Tira de tração
- (14) Abertura para fixação
- (15) Fecho para o lado superior do aspirador
- (16) Roda
- (17) Roda giratória
- (18) Trava da roda giratória
- (19) Suporte do cabo
- (20) Calhas guia para o suporte de guia extensível
- (21) Área do punho traseiro
- (22) Suporte para bocal para chão
- (23) Bocal para chão
- (24) Bocal para escova combinado
- (25) Adaptador de aspiração combinado (para ferramenta elétrica)
- (26) Lingueta de bloqueio da tampa do filtro
- (27) Cobertura do pré-filtro
- (28) Botão de desbloqueio do pré-filtro
- (29) Mangueira de aspiração
- (30) Tubo de aspiração
- (31) Bocal curvo
- (32) Saco de plástico
- (33) Abertura de passagem do ar
- (34) Filtro plissado plano
- (35) Botão de pressão da mangueira de aspiração
- (36) Adaptador PowerTool (peça dianteira)
- (37) Adaptador PowerTool (peça posterior)
- (38) Botão de desbloqueio do bocal para escova combinado
- (39) Suporte do saco de filtro de lã^{a)}
- (40) Saco de filtro de lã^{a)}
- (41) Botão de pressão do estribo guia^{a)}
- (42) Estribo guia extraível^{a)}
- (43) Cobertura do filtro de plissado plano
- (44) Pré-filtro
- (45) Sensor de nível de enchimento
- (46) Flutuador
- (47) Bloqueio do flutuador
- (48) Ímã

a) Este acessório não faz parte do volume de entrega padrão.

Dados técnicos

Aspira a úmido/a seco		GAS 400 A	GAS 400 A
Número de produto 3 601 JMO 020/... 0F0 ... 080/... 0E0/... 0N0 ... 0K0 ... 0L0/... 070 ... 0H0 ... 030	... 0D0/... 0G0 ... 0C0 ... 060
Potência nominal absorvida	W	1200	1200
Frequência	Hz	50-60	60
Capacidade do depósito (bruta)	l	40	40
Volume líquido (seco)	l	28	26
Volume líquido (líquido)	l	20	18
Vácuo ^{A)}			
- Aspirador	hPa	200	180
- Turbina	hPa	230	200
Fluxo ^{A)}			
- Aspirador	l/s	28	26
	m ³ /h	100,8	93,6
- Turbina	l/s	71,5	70
	m ³ /h	257	252
Classe de pó		L	L
Peso ^{B)}	kg	14,0	14,5
Classe de proteção		⊕/I	⊕/I
Tipo de proteção		IPX4	IPX4

A) medido com uma mangueira de aspiração Ø 28 mm e 4 m de comprimento

B) Peso sem cabo de alimentação e sem ficha de rede

As indicações são válidas para as tensões nominais indicadas. No caso de tensões divergentes e em versões específicas do país, estes dados podem variar.

Os valores podem variar em função do produto e estar sujeitos a condições de aplicação e do meio ambiente. Mais informações em www.bosch-professional.com/wac.

Tomada no aspirador

Potência de conexão admissível da ferramenta elétrica conectada na tomada no aspirador			
3 601 JMO ...	Tensão nominal	Potência máxima	Potência mínima
... 020/... 0F0	230 V	2100 W	100 W
... 080/... 0E0/... 0N0	220 V	2100 W	100 W
... 0K0	220-230 V	2100 W	100 W
... 0L0/... 070	220-240 V	1660 W	100 W
... 0H0	220 V	1000 W	100 W
... 030	230 V	1100 W	100 W
... 0D0/... 0G0	127 V	705 W	100 W
... 0C0	115 V	525 W	100 W
... 060	110 V	560 W	100 W

Indicação da potência admissível da ferramenta elétrica conectada na tomada.

No caso de outros modelos específicos do país, estes valores podem ser divergentes. Observe as indicações na tomada do aspirador.

Informação sobre ruídos/vibrações

Os valores de emissão de ruído foram determinados de acordo com **EN 60335-2-69**.

Tipicamente o nível de pressão sonora ponderado em "A" da ferramenta elétrica é **73 dB(A)**. Incerteza $K = 2$ dB. O nível de ruído durante os trabalhos pode ultrapassar os valores indicados. **Utilizar proteção auditiva!**

Valores totais de vibração a_h (soma dos vetores de três direções) e incerteza K determinada segundo **EN 60335-2-69**:

$a_h < 2,5 \text{ m/s}^2$, $K = 1,5 \text{ m/s}^2$.

Montagem

- **Puxe o plugue da tomada antes da limpeza ou de realizar ajustes no aparelho, de substituir acessórios ou de guardar o aspirador.** Esta medida de segurança evita a partida involuntária do aspirador.

Montar acessórios de aspiração (ver figura A)

A mangueira de aspiração **(29)** está equipada com um sistema de clipe, com o qual podem ser conectados acessórios de aspiração (adaptador de aspiração combinado **(25)**, bocal curvo **(31)**, bocal para escova **(24)**).

Montar o bocal curvo

- Insira o bocal curvo **(31)** na mangueira de aspiração **(29)**, até os dois botões de pressão **(35)** da mangueira de aspiração engatarem perceptivelmente.
- Para desmontar é necessário pressionar os botões de pressão **(35)** para dentro e separar os componentes.

Instale o bocal e tubos para chão

- Se necessário, encaixe bem os tubos de aspiração **(30)** um no outro e, a seguir, no bocal curvo **(31)**.
- Insira bem o bocal para chão **(23)** no tubo de aspiração **(30)** ou no bocal curvo **(31)**.

Montar o adaptador de aspiração combinado

O adaptador de aspiração combinado **(25)** é composto pelo adaptador PowerTool (peça dianteira) **(36)** e pelo adaptador PowerTool (peça posterior) **(37)**.

O adaptador de aspiração combinado **(25)** é compatível com ferramentas elétricas Bosch.

O adaptador PowerTool (peça posterior) **(37)** pode ser utilizado com ferramentas elétricas de outros fabricantes devido ao seu diâmetro interior de 38,5 mm e ao diâmetro exterior de 45 mm.

Insira o adaptador PowerTool (peça dianteira) **(36)** no adaptador PowerTool (peça posterior) **(37)** e ligue os dois adaptadores rodando opostamente (ver figura B).

Insira o adaptador de aspiração combinado **(25)** na mangueira de aspiração **(29)**, até que os dois botões de pressão **(35)** da mangueira de aspiração engatem de forma audível.

Para desmontar, pressione os botões de pressão **(35)** para dentro e retire o adaptador de aspiração combinado da mangueira de aspiração.

Para separar os dois adaptadores, solte a ligação rodando opostamente e separe os adaptadores.

Montar o bocal para escova combinado

Insira o bocal para escova combinado **(24)** na mangueira de aspiração **(29)**, até que os dois botões de pressão **(35)** da mangueira de aspiração engatem de forma audível.

Para desmontar é necessário pressionar os botões de pressão **(35)** para dentro e separar os componentes.

Ajustar o bocal para escova combinado (ver figura C)

Pode utilizar o bocal para escova combinado **(24)** como bocal para juntas ou escova.

Pressione a tecla de desbloqueio **(38)** e puxe a escova para a frente, para utilizar o bocal para escova combinado **(24)** como escova.

Pressione a tecla de desbloqueio **(38)** e puxe a escova para trás, para utilizar o bocal para escova combinado **(24)** como bocal para juntas.

Montar a mangueira de aspiração (ver figura D)

Insira a mangueira de aspiração **(29)** na respetiva conexão **(3)** e rode-a para a direita até ao batente.

Nota: Ao aspirar, ocorre, devido ao atrito na mangueira de aspiração e nos acessórios de aspiração, uma carga eletrostática, que o utilizador pode sentir em forma de descarga estática (dependendo das influências ambientais e das condições físicas).

Em geral a Bosch recomenda uma mangueira de aspiração eletrostática (acessório) para aspirar pós finos e materiais secos.

Fixar a mangueira de aspiração no aspirador (ver figura E)

Enrole a mangueira de aspiração montada **(29)** no compartimento para a mesma. Puxe as duas fitas de tração **(13)** para cima e enganche-as nas aberturas de fixação **(14)**.

Colocar/retirar o saco de plástico (aspirar a seco) (ver figura F)

Abra os dois fechos **(15)** e retire a parte superior do aspirador **(12)**.

Para aspirar a seco coloque o saco de plástico **(32)** no recipiente **(1)**.

Coloque o saco de plástico **(32)** com a abertura de enchimento para cima no depósito **(1)**.

Certifique-se de que o saco de plástico **(32)** fique totalmente encostado nas paredes interiores do depósito **(1)**.

Dobre o restante saco de plástico **(32)** sobre a borda do depósito **(1)**. Certifique-se de que a linha de encosto do saco de plástico se encontra na borda do recipiente e que as aberturas de passagem de ar **(33)** permanecem no recipiente.

Coloque novamente a parte superior do aspirador (12) e feche o aspirador com os fechos (15).

► **Certifique-se de que o aspirador está sempre bem fechado.**

Feche o saco de plástico, **antes** de o retirar. Mantenha o saco fechado em cima e utilize uma fita para o atar.

Colocar/retirar o saco de filtro de velo (aspirar a seco) (ver figuras G-H)

Para aspirar substâncias a seco de acordo com a classe de pó L, pode utilizar um saco de filtro de velo (40) (acessório). Se forem aspiradas substâncias sem ou com um valor-limite de exposição $\geq 1 \text{ mg/m}^3$ (de acordo com a classe de pó L), é possível aspirar diretamente para o recipiente.

Nota: na utilização do saco de filtro de velo desligue a limpeza automática do filtro (ver "Limpeza do filtro automática/manual (ver figura M)", Página 55).

AVISO

O aspirador contém poeiras prejudiciais à saúde. Mand

executar os processos de esvaziamento e manutenção, incluindo a eliminação do recipiente coletor do pó exclusivamente por técnicos especializados. É necessário um equipamento de proteção adequado. Não opere o aspirador sem o sistema de filtro completo e bem colocado. Caso contrário, está prejudicando sua saúde.

Abra os fechos (15) e retire a parte superior do aspirador (12).

Para colocar, insira o saco de filtro de velo (40) no respectivo suporte (39) e coloque o saco de filtro de velo (40) com o respectivo suporte (39) no recipiente (1).

Para retirar, feche a abertura do saco de filtro de velo cheio puxando pelo fecho. Puxe o saco de filtro de velo (40) fechado do respectivo suporte (39) e retire-o do aspirador.

Coloque novamente a parte superior do aspirador (12) e, fechando os fechos (15), ligue o recipiente (1) à parte superior do aspirador (12).

Encaixar a L-BOXX (ver figura I)

Para transportar o aspirador e para acondicionar os acessórios do aspirador e/ou a ferramenta elétrica em pouco espaço, pode encaixar uma L-BOXX na parte superior do aspirador.

Fixe a mangueira de aspiração no aspirador (ver figura E).

Engate a L-BOXX no encaixe (11).

► **Não aspire com a L-BOXX encaixada.** O centro de gravidade do aspirador se desloca para cima. O aspirador pode tombar. Há perigo de lesões e de danos.

► **Não segure no aspirador pela pega de transporte da L-BOXX encaixada.** O aspirador é demasiado pesado para a pega de transporte da L-BOXX. Há perigo de lesões e de danos.

Montar o estribo guia extraível (acessório) (ver figuras J-K)

Nota: o estribo guia extraível não pode ser desmontado. Tenha atenção ao alinhamento correto do estribo guia durante a montagem.

Antes da colocação, alinhe o estribo guia (42) com base nas marcações **R** (direita) e **L** (esquerda).

Coloque o estribo guia (42) nas calhas de guia (20).

Pressione para baixo o estribo guia (42) até à linha de encosto, até que o estribo guia engate de forma audível.

Pressione o botão de pressão (41), para alterar o comprimento do estribo guia (42).

Funcionamento

► **Puxe o plugue da tomada antes da limpeza ou de realizar ajustes no aparelho, de substituir acessórios ou de guardar o aspirador.** Esta medida de segurança evita a partida involuntária do aspirador.

Colocação em funcionamento

► **Observe a tensão da rede!** A tensão da rede de alimentação deve coincidir com a que consta na chapa de identificação do aspirador.

► **Saiba mais sobre os regulamentos/leis aplicáveis sobre o manuseio de pó perigoso em seu país.**

O aspirador pode ser usado para aspirar os seguintes materiais:

– pós não prejudiciais para a saúde com um valor limite de exposição $> 1 \text{ mg/m}^3$

O aspirador não deve ser utilizado em recintos com perigo de explosão.

Para assegurar uma potência de aspiração ideal, é necessário que a mangueira de aspiração (29) seja sempre completamente desenrolada da parte superior do aspirador (12).

Regular a potência de aspiração

Através do regulador da potência de aspiração (9) pode regular progressivamente a potência de aspiração.

Coloque o regulador da potência de aspiração (9) na potência de aspiração máxima para aplicações com forte formação de pó.

Coloque o regulador da potência de aspiração (9) na posição de potência de aspiração reduzida, para aplicações com reduzida formação de pó e para regular a força de aspiração entre a ferramenta elétrica conectada e a superfície da peça (p. ex. ao lixar).

Tomada no aspirador

► **Observe a potência de conexão admissível da tomada no aspirador. Exceder a potência de conexão máxima admissível pode causar sobrecarga no aspirador. O fusível de proteção do motor dispara.** Envie o aspirador para um posto de assistência técnica **Bosch** autorizado.

Assim que a ficha de rede do aspirador estiver encaixada na tomada e o interruptor principal estiver na posição **1**, a

tomada para ferramentas elétricas (4) fica sob tensão. Esta pode ser utilizada como tomada elétrica externa no aspirador, p. ex. ao trabalhar com sistemas de aspiração. Na posição **1+** o sistema automático Partida/Parada do aspirador está ativado. O aspirador pode ser ligado remotamente através da ferramenta elétrica conectada.

Aspirar a seco

Aspirar pó depositado



Para **ligar o aspirador**, rode o interruptor principal (2) para a posição **1**.



Para **desligar o aspirador**, rode o interruptor principal (2) para a posição **0**.

Aspiração de pó produzido durante o funcionamento de ferramentas elétricas (ver figura L)

- ▶ **Deve haver uma taxa de permuta de ar suficiente no recinto quando o ar evacuado retorna ao recinto.**

Observe as respectivas diretrizes nacionais.

No aspirador está integrada uma tomada para ferramentas elétricas (4). Pode ligar uma ferramenta elétrica externa a esta tomada. Observe a máxima potência de conexão admissível da ferramenta elétrica conectada.

Monte o adaptador de aspiração combinado (25) (ver figura B).

Insiira o adaptador de aspiração combinado (25) no bocal de aspiração da ferramenta elétrica.



Para **ligar o sistema automático Partida/Parada** do aspirador, rode o interruptor principal (2) para a posição **1+**.

Para a **colocação em funcionamento do aspirador** ligue a ferramenta elétrica conectada à tomada (4). O aspirador liga automaticamente.

Desligar a ferramenta elétrica para **encerrar a aspiração**.

A função do funcionamento por inércia do sistema automático Partida/Parada continua até 15 segundos, para aspirar o resto dos pós da mangueira de aspiração.



Para **desligar o aspirador**, rode o interruptor principal (2) para a posição **0**.

Utilização do sistema de aspiração (acessório)



Ligue o sistema de aspiração à mangueira de aspiração (29).

Para **aspirar pós através do sistema de aspiração**, rode o interruptor principal (2) para a posição **1**.

Mantenha o sistema de aspiração na parede e ligue a ferramenta elétrica. O sistema de aspiração adere automaticamente à parede devido ao vácuo gerado.

Desligue a ferramenta elétrica e retire cuidadosamente o sistema de aspiração da parede.



Para **desligar o aspirador**, rode o interruptor principal (2) para a posição **0**.

Aspirar líquidos

- ▶ **Com o aspirador não devem ser aspirados líquidos inflamáveis ou explosivos, como por exemplo gasolina, óleo, álcool, solventes. Não aspire pós quentes ou inflamáveis ou explosivos. Não opere o aspirador em áreas com risco de explosão.** Os pós, vapores e líquidos podem inflamar e explodir.
- ▶ **O aspirador não deve ser utilizado como bomba de água.** O aspirador é destinado para aspirar uma mistura de ar e água.

Nota: Os requisitos em termos de grau de permeabilidade (classe de poeiras L) foi apenas comprovado para aspirar a seco.

Antes de aspirar líquidos

Esvazie o recipiente (1) e retire o saco de plástico (32) ou o saco de filtro de velo (40).

Verifique o sensor de nível de enchimento (45) quanto a sujeira. Apenas um sensor de nível de enchimento limpo permite o desligamento automático do aspirador quando o nível máximo de enchimento do recipiente é alcançado (ver "Limpar o sensor de nível de enchimento (ver figuras Q-R)", Página 56).

- ▶ **A limpeza automática do filtro tem de estar desativada durante a aspiração de líquidos.**

Pressione a tecla Limpeza automática do filtro (8), para ativar a limpeza manual do filtro (ver "Limpeza manual do filtro", Página 55). Deste modo, a limpeza automática do filtro é desativada e o indicador LED A (5) se apaga.

Aspirar líquidos

AVISO

Desligue imediatamente o aspirador assim que sair espuma

ou água e esvazie o recipiente. Caso contrário, é possível que o aspirador seja danificado.

Para **ligar o aspirador**, rode o interruptor principal (2) para a posição **1**.

O aspirador está equipado com sensores de nível de enchimento (45). Quando a altura máxima de enchimento é alcançada, o aspirador se desliga automaticamente e os dois indicadores LED A (5) e M (6) piscam simultaneamente 1 vez por segundo. A proteção contra rearranque involuntário está ativada e pode ser desativada ligando/desligando 1 vez o aspirador.

Nota: verifique regularmente o nível de enchimento e esvazie o recipiente atempadamente.

Para **desligar o aspirador**, rode o interruptor principal (2) para a posição **0**.

Agarre o recipiente (1) na área de agarre posterior (21) e incline-o para a frente para esvaziar o líquido.

Após a aspiração de líquidos

Após cada aspiração de líquidos, limpe o sensor de nível de enchimento (45) (ver "Limpar o sensor de nível de enchimento (ver figuras Q-R)", Página 56).

- Para evitar a formação de bolor depois de aspirar líquidos:
- Retire o filtro de pregas planas (34) e deixe-o secar bem.
 - Retire a parte superior do aspirador (12), abra a cobertura do filtro (43) e deixe as duas secarem bem.

Limpeza do filtro automática/manual (ver figura M)

Limpeza automática do filtro

Nota: por norma, está definida a limpeza automática do filtro quando o aspirador é ligado.

O indicador LED A (5) acende permanentemente.

Na limpeza automática do filtro, o filtro de pregas planas (34) é limpo a cada 15 s por 2 sopros de ar (ruído pulsante).

A vida útil do filtro aumenta quando a limpeza do filtro é usada regularmente.

Para alcançar a vida útil ideal do filtro, desative a limpeza automática do filtro apenas em casos excepcionais, p. ex. ao aspirar líquidos.

Limpeza manual do filtro

Pressione a tecla Limpeza manual do filtro (7), para efetuar a limpeza manual do filtro. O filtro de pregas planas (34) é limpo por 2 sopros de ar. O indicador LED M (6) acende a branco durante 2 s. Quando o indicador LED M (6) se apaga, o sopro de ar seguinte pode ser ativado. Para o efeito, pressione novamente a tecla Limpeza manual do filtro (7).

Nota: na limpeza manual do filtro, tenha em atenção que cada pressão na tecla deve ser feita com um intervalo de 2–3 s. Pressionando várias vezes a tecla Limpeza manual do filtro (7) de forma contínua faz com que a proteção contra sobreaquecimento do aspirador seja ativada. A proteção contra sobreaquecimento é suprimida automaticamente após algum tempo (ver "Eliminar falhas", Página 56).

Para desligar a limpeza manual do filtro, pressione a tecla Limpeza automática do filtro (8).

Um filtro de pregas planas superficialmente sujo é totalmente funcional. Não é necessária uma limpeza manual do filtro de pregas planas batendo ou soprando e isso pode até danificar o filtro.

Manutenção e serviço

Manutenção e limpeza

- ▶ **Puxe o plugue da tomada antes da limpeza ou de realizar ajustes no aparelho, de substituir acessórios ou de guardar o aspirador.** Esta medida de segurança evita a partida involuntária do aspirador.
- ▶ **Mantenha o aspirador e as aberturas de ventilação limpas para trabalhar bem e de forma segura.**

Se for necessário substituir o cabo de força, isto deverá ser realizado pela **Bosch** ou por uma assistência técnica autorizada para todas as ferramentas elétricas **Bosch** para evitar riscos de segurança.

- ▶ **Para a manutenção e limpeza do aspirador deve ser usada uma máscara de proteção contra pó.**

Limpe a caixa do aspirador de tempos a tempos com um pano úmido.

- ▶ **Não limpe o aspirador com ar comprimido.** O filtro ou outros componentes poderiam ficar danificados.

No mínimo uma vez por ano deve ser realizado um controle técnico de pó, pelo fabricante ou por uma pessoa devidamente instruída, para p. ex. verificar se há danos no filtro, e controlar a estanqueidade do aspirador e o bom funcionamento do dispositivo de controle).

Limpeza e manutenção após a aspiração de substâncias prejudiciais à saúde

- Considere todas as peças que possam ter entrado em contato com substâncias prejudiciais à saúde como contaminadas.
- Aspire, limpe ou vede muito bem o exterior do aspirador, antes de o retirar da área com substâncias prejudiciais à saúde.
- Limpe, desmonte e faça a manutenção do aspirador apenas se tal for possível sem perigo para você e para outras pessoas. Use equipamento de proteção individual durante a manutenção e limpeza. Efetue os trabalhos em um espaço bem ventilado.
- Limpe primeiro o exterior do aspirador antes de o desmontar.
- Descarte todas as peças do aspirador que não possam ser limpas de forma satisfatória em sacos impermeáveis. Observe os regulamentos aplicáveis para a eliminação deste tipo de resíduos.
- Limpe a área de manutenção após a conclusão dos trabalhos.

Limpar depósito

Limpar o depósito (1) de tempos em tempos com um produto de limpeza de tipo comercial, não abrasivo, e permita que possa secar.

Limpar/trocar o filtro de pregas planas (ver figuras N-O)

- ▶ **Agarre a cobertura do filtro ao abrir a patilha de fecho e assegure que a cobertura do filtro aberta engata na posição vertical.** Existe perigo de ferimentos em caso de queda da cobertura do filtro.

A potência de aspiração depende do estado do filtro. Por isso, limpe regularmente o filtro.

Substitua imediatamente um filtro de pregas planas (34) danificado.

- Puxe a patilha de fecho (26) e vire a cobertura do filtro (43) para cima até que engate na posição vertical.
- Agarre o filtro de pregas planas (34) pelas abas e retire o mesmo puxando para cima.

- Remova o pó e sujeira resultante da remoção do filtro de pregas planas (34) da borda do recipiente (1) com um pano úmido.
- O filtro de pregas planas pode ser lavado sob água corrente.
- Coloque um filtro de pregas planas (34) novo ou o limpo e verifique seu assento correto e seguro.
- Feche a cobertura do filtro (43), de modo a que engate de forma audível.

Limpar o pré-filtro (ver figura P)

► **O pré-filtro não pode ser limpo a úmido.**

► **Não agarre por cima entre o estribo guia e o aspirador para desbloquear a cobertura do pré-filtro.** Caso contrário, poderá entalar sua mão.

Puxe o estribo guia (42) para cima, até que a cobertura do pré-filtro fique acessível a partir de trás.

Pressione a tecla de desbloqueio (28) da cobertura do pré-filtro (27) e retire a mesma do compartimento do pré-filtro.

Retire o pré-filtro (44).

Escove as lamelas do pré-filtro com uma escova macia.

Coloque o pré-filtro na respectiva cobertura (27).

Coloque a cobertura do pré-filtro (27) no compartimento do pré-filtro e feche o mesmo.

Limpar o sensor de nível de enchimento (ver figuras Q-R)

Retire a ficha de rede do aspirador da tomada.

Retire a parte superior do aspirador (12).

Esvazie o depósito (1).

Mova o flutuador (46) ou bata o mesmo ligeiramente para remover a sujeira.

Limpe o flutuador (46) com um pano macio.

Se necessário, também pode retirar o flutuador. Para o efeito, pressione o bloqueio (47) e retire o flutuador (46).

Limpe o imã (48) com uma escova.

Coloque novamente o flutuador (46).

Armazenamento e transporte

- Enrole o cabo de corrente elétrica no suporte do cabo (19).
- Encaixe o acessório nos suportes previstos para o efeito.
- Enrole a mangueira de aspiração montada (29) no compartimento para a mesma. Puxe as duas fitas de tração (13) para cima e enganche as mesmas nas aberturas de fixação.
- Engate a L-BOXX no encaixe (11).
- Retire o saco de plástico/saco de filtro de velo assim que estiver cheio.
- O aspirador só deve ser transportado pelo punho de transporte (10).
- Deposite o aspirador em um recinto seco com base plana e proteja-o contra uso não autorizado.
- Para fixar os rolos de guia (17) é necessário pressionar as travas do sistema de rodízio (18) com o pé.
- Para o transporte mais simples e cômodo do aspirador, esvazie completamente o recipiente ou descarte o saco de plástico/saco de filtro de velo cheio.
- Desbloqueie as travas do sistema de rodízio (18) para empurrar ou puxar o aspirador.
- Utilize somente o estribo guia extraído (42) para empurrar ou puxar o aspirador. O aspirador não pode ser puxado pelo estribo guia em patamares. Neste caso, deve ser usada a pega de transporte.
- Assegure que não existe ninguém diretamente atrás de você ao transportar o aspirador nas escadas, caso o aspirador seja deixado cair inadvertidamente.

Eliminar falhas

► **Se ocorrer uma avaria (p. ex. quebra do filtro), o aspirador tem de ser desligado de imediato. A avaria tem de ser eliminada antes da nova colocação em funcionamento.**

Problema	Solução
A turbina de aspiração não liga.	Verificar o cabo de corrente elétrica, ficha de rede, fusível, tomada e sensores de nível de enchimento (45). O interruptor principal (2) se encontra em "Sistema automático de Partida/Parada". Colocar o interruptor principal (2) no símbolo "Aspirar" ou ligar a ferramenta elétrica conectada à tomada (4).
A turbina de aspiração desliga.	Na aspiração de líquidos os indicadores LED A e M piscam lentamente e em simultâneo. Esvaziar o depósito (1). Na aspiração a seco os indicadores LED A e M piscam rapidamente e em simultâneo: a proteção contra sobrecarga da tomada no aspirador está ativada. Desligar a ferramenta elétrica.
O aspirador se desliga.	Sobrecarga do aspirador quando a tensão máxima da tomada no aspirador é excedida: o fusível de proteção do motor dispara. Envie o aspirador para um posto de assistência técnica Bosch autorizado.

Problema	Solução
A turbina não liga após esvaziar o depósito.	Desligar o aspirador e aguardar 5 s, após 5 s ligar novamente. Limpar os sensores de nível de enchimento (45), bem como o intervalo entre os sensores de nível de enchimento (45) com uma escova.
A potência de aspiração diminui.	Eliminar os entupimentos do bocal de aspiração, tubo de aspiração, mangueira de aspiração (29) ou filtro de pregas planas (34). Trocar o saco de plástico (32)/saco de filtro de velo (40). Engatar corretamente a cobertura do filtro (43). Colocar corretamente a parte superior do aspirador (12) e fechar os fechos (15). Trocar o filtro de pregas planas (34).
Saída de pó ao aspirar	Verificar a montagem correta do filtro de pregas planas (34). Trocar o filtro de pregas planas (34).
O desligamento automático (aspiração a úmido) não é ativado.	Limpar os sensores de nível de enchimento (45), bem como o intervalo entre os sensores de nível de enchimento (45) com uma escova. Sempre verifique o nível de enchimento.
A limpeza automática do filtro não funciona.	Mude para o modo manual pressionando a tecla Limpeza manual do filtro (7). Se o problema persistir, contate um posto de assistência técnica Bosch autorizado.
A limpeza manual do filtro não se deixa ativar.	A proteção contra sobreaquecimento do aspirador está ativada. A pressão 10 vezes contínua da tecla Limpeza manual do filtro (7) ativou a proteção contra sobreaquecimento. A proteção contra sobreaquecimento é suprimida automaticamente após 20 s. A pressão 30 vezes contínua da tecla Limpeza manual do filtro (7) ativou a proteção contra sobreaquecimento. A proteção contra sobreaquecimento é suprimida automaticamente após 4 min. Se o problema persistir, contate um posto de assistência técnica Bosch autorizado.
A limpeza automática do filtro não é ativada.	Contate um posto de assistência técnica Bosch autorizado.

Serviço pós-venda e assistência ao cliente

O serviço pós-venda responde às suas perguntas a respeito de serviços de reparação e de manutenção do seu produto, assim como das peças sobressalentes. Desenhos explodidos e informações sobre peças sobressalentes também em:

www.bosch-pt.com

A nossa equipe de consultores Bosch esclarece com prazer todas as suas dúvidas a respeito dos nossos produtos e acessórios.

Indique em todas as questões ou encomendas de peças sobressalentes impreterivelmente a referência de 10 dígitos de acordo com a placa de características do produto.

Brasil

Robert Bosch Ltda. – Divisão de Ferramentas Elétricas
Rodovia Anhanguera, Km 98 - Parque Via Norte
13065-900, CP 1195
Campinas, São Paulo
Tel.: 0800 7045 446
www.bosch.com.br/contato

Encontre outros endereços da assistência técnica em:

www.bosch-pt.com/serviceaddresses

Descarte

Aspirador, acessórios e embalagens devem ser enviados a uma reciclagem ecológica de matérias-primas.

Não descarte o aspirador no lixo doméstico!



中文

吸尘器相关安全规章



请阅读所有的安全规章和指示。不遵照以下警告和说明会导致电击、着火和/或严重伤害。

应将所有安全规章和指示保存到将来。

► 儿童和身体、感官或精神上有缺陷或缺乏经验与知识的人员

不得使用本吸尘器。否则会有误操作和人身伤害的危险。

▶ **请监督好儿童。以确保儿童不使用吸尘器玩耍。**

- ▶ 遵守待抽吸物质的所有安全规定。
- ▶ 切勿抽吸榫木屑或橡木屑、矿物性粉尘或石棉。这些物质可能致癌。

警告！ 只有当您充分了解有关吸尘器使用、待抽吸的材料及其安全处理的情况下，才能使用吸尘器。详细的指导可以减少误操作及人身伤害。

警告！ 本吸尘器适用于抽取干燥物质，在采取相应措施的情况下也可以抽取液体。液体渗入会增加触电风险。

- ▶ 切勿用吸尘器抽取可燃或爆炸性液体，比如汽油、机油、酒精、溶剂。切勿抽取高温、燃烧的或爆炸性粉尘。切勿在易爆环境中使用吸尘器。上述粉尘、蒸汽或液体可能自然或爆炸。

警告！ 电源插座仅可用于使用说明中规定的用途。

警告！ 一旦有泡沫或水溢出，请立即关闭吸尘器并清空。否则可能会损坏吸尘器。

- ▶ **注意！** 本吸尘器只能在室内保存。
- ▶ **注意！** 定期清洁液体的液位传感器并检查是否损坏。否则可能会影响功能。
- ▶ 如果在潮湿环境下操作吸尘器是不可避免的，应使用故障电流保护开关。使用故障电流保护开关可减小电击危险。
- ▶ 每次使用前都要检查吸尘器、电源线和插头。一旦发现损坏，请勿使用吸尘器。请勿自行打开吸尘器，只能由具有相应资质的专业人员用原厂配件进行维修。吸尘器，电线和插头如果损坏了会提高触电的危险。

- ▶ 切勿碾压或挤压电源线。切勿拉扯电源线以将插头从电源插座上拔下或移动吸尘器。损坏的电线会提高用户触电的危险。
- ▶ 在保养或清洁吸尘器、调整设备、更换配件或收起吸尘器前，先拔下插头。这一项预防措施能防止意外启动吸尘器。
- ▶ 要确保工作场所通风良好。
- ▶ 吸尘器只能由具有相应资质的专业人员用原厂配件进行维修。如此才能确保吸尘器的安全性能。

警告！ 吸尘器内含有害粉尘。仅允许由专业人员执行清空和保养操作，包括清除集尘容器。要求使用相应的防护装备。切勿在过滤系统不完整和未仔细安装好的情况下使用集尘器。否则会危害身体健康。

- ▶ 调试前，检查集尘软管的状态是否正常。同时将集尘软管安装到集尘器上，以防粉尘意外溢出。否则您可能会吸入粉尘。

- ▶ 不要将集尘器作为坐具使用。这样会损坏吸尘器。

- ▶ 请小心地使用电线和集尘软管。因为上述物件可能危及他人。
- ▶ 清洁吸尘器时，不可以把水柱直接瞄准吸尘器。雨水或湿气进入吸尘器上部件会增加电击风险。
- ▶ 将吸尘器与正常接地的电网连接。电源插座和延长线必须带有功能完好的安全引线。
- ▶ 湿式吸尘时或在潮湿环境中切勿使用吸尘器上的插座。接触水时有造成短路或触电的危险。

图标

以下符号可以帮助您正确地使用本吸尘器。请记住各符号和它们的代表意思。正确了解各符号的代表意思，可以让您更有把握更安全地操作本吸尘器。

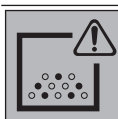
图标及其含义



警告！ 请阅读所有安全规章和指示。不遵守安全规章和指示可能会导致触电、着火和/或严重伤害。



符合IEC/EN 60335-2-69粉尘等级L的吸尘器，用于干式抽取危害健康的粉尘（粉尘爆炸限值为 > 1 毫克/立方米）



警告！ 吸尘器内含有害粉尘。仅允许由专业人员执行清空和保养操作，包括清除集尘容器。要求使用相应的防护装备。切勿在过滤系统不完整和未仔细安装好的情况下使用集尘器。否则会危害身体健康。



最多只能点击一个L-Boxx。



max. 1 L-Boxx
max. 15 kg

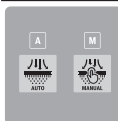
L-Boxx及其内含物的重量不得超过15公斤。



例如在运输途中切勿将吸尘器悬挂在吊车挂钩上。吸尘器不能用吊车吊运。有受伤和损坏的危险。



不要将吸尘器用作座位、梯子或踏板。否则吸尘器可能会翻倒并受损。有受伤的危险。



图标及其含义

	A 自动过滤器清洁模式LED指示灯
	M 手动过滤器清洁模式LED指示灯
	自动过滤器清洁按钮
	手动过滤器清洁按钮
	自动启停 吸除运行中的电动工具的积尘 吸尘器自动接通并延时关闭。 吸尘器上的插座始终处于带电状态。
	关闭 吸尘器上的插座不带电。
	吸尘 吸取沉积的粉尘和抽吸系统中的粉尘。 吸尘器上的插座始终处于带电状态。
	最小/最大 吸力无级调节： - 最大吸尘功率，适用于大量粉尘产生的应用 - 吸尘功率降低，适用于少量粉尘产生的应用以及用于调节连接的电动工具和工件表面之间的吸力（例如在打磨时）
	数据记录功能在本吸尘器中已激活。
	说明所连接的电动工具的允许连接功率（视国家而定） max. 2100 W min. 100 W

产品和性能说明

请注意本使用说明书开头部分的图示。

按照规定使用

本吸尘器可以收集、吸除、运输和存放非易燃的干粉尘和非易燃液体。本吸尘器经过粉尘技术的检验并符合粉尘等级L。因其较高的负载适合使用在商业用途中，例如手工业、工业和修理厂。

符合IEC/EN 60335-2-69粉尘等级L的吸尘器只允许用于抽吸危害健康的粉尘（暴露限值 > 1毫克/立方米）。

必须熟悉所有的操作功能，并且能够不受限制地执行各功能时才可以不使用本吸尘器。否则得有充分的指导才能够操作本吸尘器。

插图上的机件

图示组件的编号和吸尘器详解图上的编号一致。

- (1) 容器
- (2) 主开关
- (3) 软管定位件
- (4) 电动工具插座
- (5) 自动过滤器清洁模式LED指示灯A
- (6) 手动过滤器清洁模式LED指示灯M
- (7) 手动过滤器清洁按钮
- (8) 自动过滤器清洁按钮
- (9) 吸尘功率调节器
- (10) 提手
- (11) L-BOXX定位座
- (12) 吸尘器上部件
- (13) 系带
- (14) 固定口
- (15) 吸尘器上部件锁止件
- (16) 滚轮
- (17) 导向滚轮
- (18) 导向滚轮制动器
- (19) 电缆支架
- (20) 用于可拉伸导向支架的导轨
- (21) 后部手柄区域
- (22) 地板吸嘴支架
- (23) 地板吸嘴
- (24) 组合式刷式吸嘴
- (25) 组合式抽吸适配接头（用于电动工具）
- (26) 过滤器盖板锁止片
- (27) 预过滤器盖
- (28) 预过滤器解锁按钮
- (29) 抽吸软管
- (30) 吸管
- (31) 弯曲吸嘴
- (32) 塑料袋
- (33) 通气口
- (34) 扁平折叠式过滤器
- (35) 抽吸软管按钮
- (36) PowerTool适配接头（前部）
- (37) PowerTool适配接头（后部）
- (38) 组合式刷式吸嘴解锁按钮
- (39) 无纺布滤袋支架^{a)}
- (40) 无纺布滤袋^{a)}
- (41) 导向支架按钮^{a)}

- (42) 可拉伸导向支架^{a)}
 (43) 扁平折叠式过滤器盖板
 (44) 预滤器
 (45) 料位传感器

- (46) 浮标
 (47) 浮标锁止器
 (48) 磁铁

a) 该附件并不包含在基本的供货范围中。

技术参数

湿式/干式吸尘器		GAS 400 A	GAS 400 A
物品代码 3 601 JM0 020/... 0F0 ... 080/... 0E0/... 0N0 ... 0K0 ... 0L0/... 070 ... 0H0 ... 030	... 0D0/... 0G0 ... 0C0 ... 060
额定输入功率	瓦	1200	1200
频率	赫兹	50-60	60
容器容积 (毛容积)	升	40	40
净容积 (干)	升	28	26
净容积 (液体)	升	20	18
真空 ^{A)}			
- 吸尘器	百帕	200	180
- 涡轮	百帕	230	200
流量 ^{A)}			
- 吸尘器	升/秒 立方米/小时	28 100.8	26 93.6
- 涡轮	升/秒 立方米/小时	71.5 257	70 252
粉尘等级		L	L
重量 ^{B)}	公斤	14.0	14.5
保护等级		⊕/I	⊕/I
防护类型		IPX4	IPX4

A) 使用直径为28 mm和长度为4 m的抽吸软管测量

B) 不含电源线和电源插头的重量

数据适用于给定的额定电压。对于其他不同的电压和国家规格，数据有可能不同。

数值可能因不同产品而异，并且受到应用和环境条件影响。更多信息请参见www.bosch-professional.com/wac。

吸尘器上的插座

所连接的电动工具的允许连接功率			
3 601 JM0 ...	额定电压	最大功率	最小功率
... 020/... 0F0	230伏特	2100瓦	100瓦
... 080/... 0E0/... 0N0	220伏特	2100瓦	100瓦
... 0K0	220-230伏特	2100瓦	100瓦
... 0L0/... 070	220-240伏特	1660瓦	100瓦
... 0H0	220伏特	1000瓦	100瓦
... 030	230伏特	1100瓦	100瓦

所连接的电动工具的允许连接功率

3 601 JMO ...	额定电压	最大功率	最小功率
... 0D0/... 0G0	127伏特	705瓦	100瓦
... 0C0	115伏特	525瓦	100瓦
... 060	110伏特	560瓦	100瓦

说明所连接的电动工具的允许连接功率。

在其他国家的型号上，这些数值可能有所偏差。请注意吸尘器电源插座上的数据。

安装

- ▶ 在保养或清洁吸尘器、调整设备、更换配件或收起吸尘器前，先拔下插头。这一项预防措施能防止意外启动吸尘器。

安装吸尘器配件（见图片A）

抽吸软管(29)装备有卡子系统，可以通过吸尘器配件（组合式抽吸适配接头(25)、弯曲吸嘴(31)、组合式刷式吸嘴(24)）连接。

安装弯曲吸嘴

- 将弯曲吸嘴(31)插到抽吸软管(29)上，直到听见抽吸软管的两个按钮(35)的卡止声。
- 拆除时向内按压两个按钮(35)，并将部件拉开。

安装地板吸嘴和管道

- 按需将吸管(30)牢牢互相插接，然后牢牢插到弯曲吸嘴(31)上。
- 将地板吸嘴(23)牢牢插到吸管(30)或弯曲吸嘴(31)上。

安装组合式抽吸适配接头

组合式抽吸适配接头(25)由PowerTool适配接头（前部）(36)和PowerTool适配接头（后部）(37)组成。

组合式抽吸适配接头(25)兼容博世电动工具。

PowerTool适配接头（后部）(37)内径为38.5毫米，外径为45毫米，也可用于其他制造商的电动工具。

将PowerTool适配接头（前部）(36)插到PowerTool适配接头（后部）(37)上，并将二者通过向反方向旋转完成连接（见图B）。

将组合式抽吸适配接头(25)插到抽吸软管(29)上，直到听见抽吸软管的两个按钮(35)卡止。

拆除时向内按压两个按钮(35)，并将组合式抽吸适配接头从吸尘软管上拔下。

请将两个适配接头朝相反方向转动并相互拉开，以断开连接。

安装组合式刷式吸嘴

将组合式刷式吸嘴(24)插到抽吸软管(29)上，直到听见抽吸软管的两个按钮(35)卡止。

拆除时向内按压两个按钮(35)，并将部件拉开。

调节组合式刷式吸嘴（见图C）

组合式刷式吸嘴(24)可用作缝隙吸嘴或刷子。

按下解锁按钮(38)并将刷子向前推，以将组合式刷式吸嘴(24)用作刷子。

按下解锁按钮(38)并将刷子向后推，以将组合式刷式吸嘴(24)用作缝隙吸嘴。

安装抽吸软管（参见插图D）

将抽吸软管(29)插到软管定位件(3)上，并按照顺时针方向旋转直至限位。

提示：吸尘时由于灰尘在抽吸软管和配件中摩擦而产生静电，用户能感觉到静态放电（取决于环境条件和身体感知）。

一般博世建议在抽取细小的灰尘和干燥材料时使用防静电抽吸软管（配件）。

将抽吸软管在吸尘器上固定（见图E）

将组装好的抽吸软管(29)卷入抽吸软管盒。向上拉两根系带(13)，将它们钩入固定口(14)中。

装入/取出塑料袋（干式吸尘）（见图F）

打开两个锁止件(15)，取下吸尘器上部件(12)。

将一个塑料袋(32)装入容器(1)中，以进行干式吸尘。

将塑料袋(32)加注口朝上放入容器(1)中。

确保塑料袋(32)完全贴在容器(1)的内壁上。

将塑料袋(32)的剩余部分盖在容器(1)的边缘上。确保塑料袋的止动线位于容器边缘，并且通气口(33)保持在容器中。

再次装上吸尘器上部件(12)，然后用锁止件(15)锁止吸尘器。

▶ 务必确保吸尘器已牢牢锁止。

取出塑料袋之前，先将其密封。收拢塑料袋的上部袋口，并用带子扎紧。

装入/取出无纺布滤袋（干式吸尘）（见图G-H）

您可以使用无纺布滤袋(40)（附件）对粉尘等级为L的材料进行干式吸尘。

如果吸取的材料没有或暴露限值 ≥ 1 毫克/立方米（相当于粉尘等级L），则可以直接将其吸入容器中。

提示：使用无纺布滤袋时，请关闭自动过滤器清洁（参见“自动/手动过滤器清洁（见图M）”，页63）。

警告！ 吸尘器内含有害粉尘。仅允许由专业人员执行清空和保养操作，包括清除集尘容器。要求使用相应的防护装备。切勿在过滤系统不完整和未仔细安装好的情况下使用集尘器。否则会危害身体健康。

打开锁止件(15)，取下吸尘器上部件(12)。

使用时将无纺布滤袋(40)插到无纺布滤袋支架(39)上,并将无纺布滤袋(40)和无纺布滤袋支架(39)一起装到容器(1)中。

请拉动锁止件,封闭整个无纺布滤袋的开口,以将其取下。将已封口的无纺布滤袋(40)从无纺布滤袋支架(39)上拔下,并从吸尘器中取出。

再次装上吸尘器上部件(12),并通过关闭锁止件(15)将容器(1)连接吸尘器上部件(12)。

点击L-Boxx (参加插图I)

要运输吸尘器以及节省空间的存放吸尘器配件和/或电动工具,您可以在吸尘器的上半部点击L-Boxx。

将抽吸软管在吸尘器上固定(见图E)。

点击定位座(11)上的L-Boxx。

▶ **不要在点击L-Boxx的情况下吸尘。** 吸尘器的重心向上移动。吸尘器可能会翻倒。有受伤和损坏的危险。

▶ **不要使用已点击L-Boxx的手提把手提起吸尘器。** 吸尘器对L-Boxx的手提把手而言太重。有受伤和损坏的危险。

安装可拉伸导向支架(附件)(见图J-K)

提示: 可拉伸导向支架无法拆下。安装时注意导向支架的正确定位。

装入导向支架(42)之前,根据R(右)和L(左)标记对准导向支架。

将导向支架(42)装入导轨(20)。

将导向支架(42)向下压至止动线,直到听到导向支架卡止。

按压按钮(41),以更改导向支架(42)的长度。

运行

▶ **在保养或清洁吸尘器、调整设备、更换配件或收起吸尘器前,先拔下插头。** 这一项预防措施能防止意外启动吸尘器。

投入使用

▶ **注意电源电压!** 电源的电压必须和吸尘器铭牌上标示的电压一致。

▶ **请了解在贵国处理有损健康的灰尘时需遵守的现行法规/法律。**

吸尘器允许用于吸除以下材料:

- 粉尘爆炸限值大于1毫克/立方米

基本上不能在有爆炸危险的场所使用本吸尘器。为保障最佳的吸尘功率,必须将抽吸软管(29)完全从吸尘器上半部(12)展开。

调节吸力

通过吸尘功率调节器(9)可以无级调节吸力。

对于产生大量粉尘的应用,将吸尘功率调节器(9)调至最高档位。

如需用于少量粉尘产生的应用以及用于调节连接的电动工具和工件表面之间的吸力(例如在打磨时),将吸尘功率调节器(9)调至低功率档。

吸尘器上的插座

▶ **注意吸尘器上插座的允许连接功率。** 超过最大允许连接功率会导致吸尘器过载。将触发电机保护保险丝。将吸尘器发送给经授权的Bosch客户服务中心。

一旦吸尘器电源插头插入插座且主开关位于位置1,则电动工具插座(4)处于通电状态。它可以用作吸尘器上的外部电源接口,例如搭配抽吸系统工作时。主开关位于位置1+时,吸尘器的自动启停功能激活。可以通过所连接的电动工具远程接通吸尘器。

干式吸尘

吸除积尘



如需接通吸尘器,请将主开关(2)转到位置1。



如需关闭吸尘器,请将主开关(2)转到位置0。

吸除运行中的电动工具的积尘(见图L)

▶ **如果废气回流至室内,必须保证在室内有充足的空气交换率。注意各国有关的法规。**

在吸尘器中内置了一个电动工具插座(4)。您可在该插座上连接一个外部的电动工具。注意所连接的电动工具的最大允许连接功率。

安装组合式抽吸适配接头(25)(见图B)。

将组合式抽吸适配接头(25)插入电动工具的抽吸套管中。



如需接通吸尘器的自动启停功能,请将主开关(2)转到位置1+。

如需调试吸尘器,接通与插座(4)连接的电动工具。此时吸尘器会自动启动。

关闭电动工具,以结束吸尘作业。

自动启停功能最多延迟运行15秒钟,以吸除抽吸软管中剩余的灰尘。



如需关闭吸尘器,请将主开关(2)转到位置0。

使用抽吸系统(附件)

将抽吸系统连接到抽吸软管(29)上。

▶ **如需通过抽吸系统吸尘,请将主开关(2)转到位置1。**

将抽吸系统抵在墙面上,然后接通电动工具。由于产生的负压,抽吸系统会自行吸附住。关闭电动工具,然后抽吸系统小心地从墙面上取下。



如需关闭吸尘器,请将主开关(2)转到位置0。

湿式吸尘

▶ **切勿用吸尘器抽吸可燃或爆炸性液体，比如汽油、机油、酒精、溶剂。切勿抽取高温、燃烧的或爆炸性粉尘。切勿在易爆环境中使用吸尘器。**上述粉尘、蒸汽或液体可能自燃或爆炸。

▶ **吸尘器不得作为水泵使用。**吸尘器专为抽取空气和水的混合物而设计。

提示：对于透过率的要求（粉尘等级L）证明仅适用于干式抽吸。

湿式吸尘前

清空容器(1)，取出塑料袋(32)或无纺布滤袋(40)。检查料位传感器(45)的脏污程度。只有干净的料位传感器才能在容器料位满时自动关闭吸尘器(参见“清洁料位传感器(见图Q-R)”，页64)。

▶ **湿式吸尘期间，自动过滤器清洁必须关闭。**

按压自动过滤器清洁按钮(8)，以激活手动过滤器清洁(参见“手动过滤器清洁”，页63)。由此关闭自动过滤器清洁，LED指示灯A(5)熄灭。

吸除液体

警告！ 一旦有泡沫或水溢出，请立即关闭吸尘器并清空。否则可能会损坏吸尘器。

如需**接通吸尘器**，请将主开关(2)转到位置1。

吸尘器配有料位传感器(45)。当到达最高料位时，吸尘器会自动关闭，LED指示灯A(5)和M(6)会同时以每秒1次的频率闪烁。重启保护已激活，可以通过接通/关闭吸尘器1次来停用。

提示：定期检查料位，及时清空容器。

如需**关闭吸尘器**，请将主开关(2)转到位置0。

握住容器(1)的后部手柄区域(21)，并翻转容器，以将液体向前排空。

湿式吸尘后

每次湿式吸尘后都要清洁料位传感器(45)(参见“清洁料位传感器(见图Q-R)”，页64)。

湿式吸尘后为了避免形成霉菌：

- 取出扁平折叠式过滤器(34)，并让其充分风干。
- 取下吸尘器上半部(12)，打开过滤器盖板(43)并让两者充分风干。

自动/手动过滤器清洁（见图M）

自动过滤器清洁

提示：接通吸尘器时，自动过滤器清洁为默认设置。

LED指示灯A(5)常亮。

使用自动过滤器清洁时，扁平折叠式过滤器(34)每15秒通过2次空气振荡（伴随脉动噪音）清洁一次。

定期使用过滤器清洁可提高过滤器的使用寿命。为达到理想的过滤器使用寿命，只有在特殊情况下，如进行湿式吸尘时，才停用自动过滤器清洁。

手动过滤器清洁

按压手动过滤器清洁按钮(7)，以执行手动过滤器清洁。扁平折叠式过滤器(34)通过2次空气振荡清洁。

LED指示灯M(6)亮起白色2秒。当LED指示灯M(6)熄灭时，可以触发下一次空气振荡。为此，再次按压手动过滤器清洁按钮(7)。

提示：进行手动过滤器清洁时，注意每次按下按钮的时间间隔为2-3秒。多次连续按下手动过滤器清洁按钮(7)会触发吸尘器过热保护。过热保护会在一段时间后自动解除(参见“排除故障”，页64)。

按下自动过滤器清洁按钮(8)，以关闭手动过滤器清洁。

表面脏污的扁平折叠式过滤器功能完全正常。无需通过拍打或吹净扁平折叠式过滤器进行手动清洁，这甚至会损坏过滤器。

维修和服务

保养和清洁

▶ **在保养或清洁吸尘器、调整设备、更换配件或收起吸尘器前，先拔下插头。**这一项预防措施能防止意外启动吸尘器。

▶ **吸尘器和通气孔必须随时保持清洁，以确保工作效率和工作安全。**

如果必须更换连接线，务必把这项工作交给Bosch或者经授权的Bosch电动工具顾客服务执行，以避免危害器的安全性能。

▶ **在保养和清洁吸尘器时带上防尘面具。**

请不时地用湿布清洁吸尘器壳体。

▶ **切勿用压缩空气清洁吸尘器。**可能损坏过滤器或其他组件。

每年至少一次，由制造商或经过培训的人员对吸尘器进行一次吸尘功能的检查（例如检查过滤器是否损坏、吸尘器是否泄漏以及控制装置的功能是否正常）。

抽吸有害物质后的清洁和保养

- 请将可能接触有害物质的所有零件视为脏污。
- 在将吸尘器从含有有害物质的区域取出之前，请吸尘、擦拭或彻底密封吸尘器的外部。
- 只在不对您和他人造成危险的情况下清洁、拆卸和保养吸尘器。进行保养和清洁时得穿戴好个人的防护装备。在通风良好的空间内执行作业。
- 拆卸吸尘器前，先清洁吸尘器的外部。
- 将所有清洁未达到满意程度的吸尘器零件装在不通透的袋子里进行废弃处理。同时遵守适用于废弃处理此类废弃物的有效规定。
- 完成作业后请清洁该保养区域。

清洁容器

请不时地用市售非研磨性清洁剂擦拭容器(1)并晾干。

清洁/更换扁平折叠式过滤器（见图N-O）

▶ **通过抓住闭合接口来打开过滤器盖板，确保打开的过滤器盖板卡止在垂直位置。**过滤器盖板掉落时存在受伤危险。

吸尘功率取决于过滤器状态。因此请定期清洁过滤器。

立刻更换已损坏的扁平折叠式过滤器(34)。

- 拉住锁止片(26)，将过滤器盖板(43)向上翻，直到它卡止在垂直方向上。
- 抓住扁平折叠式过滤器(34)的环边，将其向上取出。
- 使用湿布从容器(1)的边缘清除取出扁平折叠式过滤器(34)时落下的粉尘和污垢。
- 可以用水流冲净扁平折叠式过滤器。
- 将新的或清洗过的扁平折叠式过滤器(34)装入，注意牢固和正确安装。
- 关上过滤器盖板(43)，直到听到卡止声。

清洁预滤器 (见图P)

► 预滤器不得湿洗。

► 不要从上方探入导向支架和吸尘器之间的区域以解锁预滤器盖。这样可能会夹伤您的手。

向上拉导向支架(42)，直到能从后方接触到预滤器盖。

按压预滤器盖(27)的解锁按钮(28)，将预滤器盖从预滤器盒中取出。

取出预滤器(44)。

用软毛刷刷净预滤器的片层。

将预滤器放入预滤器盖(27)。

将预滤器盖(27)放入预滤器盒并翻入。

清洁料位传感器 (见图Q-R)

将吸尘器的电源插头从插座中拔出。

取下吸尘器上部件(12)。

清空容器(1)。

移动或轻击浮标(46)，以清除脏污。

用软布清洁浮标(46)。

必要时也可取下浮标。为此按压锁止件(47)，取出浮标(46)。

用刷子清洁磁铁(48)。

重新装入浮标(46)。

存储和运输

- 将电源线缠到电线支架(19)上。
- 将配件插入规定的支架内。
- 将组装好的抽吸软管(29)卷入抽吸软管盒。向上拉两根系带(13)，将它们钩入固定口中。
- 点击定位座(11)上的L-BOXX。
- 如果塑料袋/无纺布滤袋已满，则立即将其取出。
- 只能使用提手(10)提起吸尘器。
- 在干燥平整的地方存储吸尘器，防止未经授权使用。
- 为固定导向滚轮(17)，请踩下导向滚轮制动器(18)。
- 为了以保护背部的方式更轻松搬运吸尘器，请完全清空容器或废弃处理已满的塑料袋/无纺布滤袋。
- 解锁导向滚轮制动器(18)，以推动或拉动吸尘器。
- 仅使用已拉伸的导向支架(42)来推动或拉动吸尘器。不得用导向支架将吸尘器拉过台阶。这种情况下应使用提手。
- 搬运吸尘器上楼梯时，确保身后没有其他人，以防吸尘器意外掉落。

排除故障

► 当出现故障时 (比如过滤器破裂)，必须立即关闭吸尘器。排除故障后才可以重新使用。

问题	解决措施
吸气涡轮无法启动。	检查电源线、电源插头、保险丝、插座和料位传感器(45)。主开关(2)处于“自动启停”位置。 将主开关(2)调至图标“抽吸”或接通连接在电源插座(4)上的电动工具。
吸气涡轮自行关闭。	湿式吸尘时，LED指示灯A和M会同时缓慢闪烁。 清空容器(1)。 干式吸尘时，LED指示灯A和M会同时快速闪烁：吸尘器上的插座过载保护已激活。 关闭电动工具。
吸尘器自行关闭。	由于超过吸尘器上插座的最大电压，导致吸尘器过载：电机保护保险丝触发。 将吸尘器发送给经授权的Bosch客户服务中心。
在排空容器后吸气涡轮无法再次启动。	关闭吸尘器并等待5秒，5秒后再次打开。 用刷子清洁料位传感器(45)以及料位传感器(45)之间的间隙。
吸力下降。	清除吸嘴、吸管、抽吸软管(29)或扁平折叠式过滤器(34)的堵塞物。 更换塑料袋(32)/无纺布滤袋(40)。 将过滤器盖板(43)正确卡入。 正确安装吸尘器上部件(12)并闭合锁止件(15)。 更换扁平折叠式过滤器(34)。
吸尘时粉尘溢出	检查扁平折叠式过滤器(34)是否正确安装。

问题	解决措施
	更换扁平折叠式过滤器(34)。
自动断开装置(湿式吸尘)不响应。	用刷子清洁料位传感器(45)以及料位传感器(45)之间的间隙。持续监控料位高度。
自动过滤器清洁不工作。	按压手动过滤器清洁按钮(7),以切换至手动模式。 如果问题仍然存在,请联系经授权的Bosch客户服务中心。
手动过滤器清洁无法触发。	吸尘器过热保护已激活。 连续按压手动过滤器清洁按钮(7)10次后,过热保护已触发。过热保护会在20秒后自动解除。 连续按压手动过滤器清洁按钮(7)30次后,过热保护已触发。过热保护会在4分钟后自动解除。 如果问题仍然存在,请联系经授权的Bosch客户服务中心。
自动过滤器清洁不触发。	请联系经授权的Bosch客户服务中心。

客户服务和应用咨询

本公司顾客服务处负责回答有关本公司产品的修理、维护和备件的问题。备件的展开图纸和信息也可查看: www.bosch-pt.com

博世应用咨询团队乐于就我们的产品及其附件问题提供帮助。

询问和订购备件时,务必提供机器铭牌上标示的10位数物品代码。

中国大陆

博世电动工具(中国)有限公司

中国 浙江省 杭州市

滨江区 滨康路567号

102/1F 服务中心

邮政编码: 310052

电话: (0571)8887 5566 / 5588

传真: (0571)8887 6688 x 5566# / 5588#

电邮: bsc.hz@cn.bosch.com

www.bosch-pt.com.cn

制造商地址:

Robert Bosch Power Tools GmbH

罗伯特·博世电动工具有限公司

70538 Stuttgart / GERMANY

70538 斯图加特 / 德国

其他服务地址请见:

www.bosch-pt.com/serviceaddresses

处理废弃物

必须使用符合环保要求的方式处理废弃的吸尘器、附件和包装材料。



请勿将吸尘器扔到生活垃圾中!

产品中有害物质的名称及含量

部件名称	有害物质					
	铅(Pb)	汞(Hg)	镉(Cd)	六价铬(Cr ⁺⁶)	多溴联苯(PBB)	多溴二苯醚(PBDE)
外壳的金属部分	○	○	○	○	○	○
外壳的非金属部分	○	○	○	○	○	○
机械传动机构	X	○	○	○	○	○
电机组件	X	○	○	○	○	○
控制组件	X	○	○	○	○	○
附件	○	○	○	○	○	○
配件	○	○	○	○	○	○
连接件	X	○	○	○	○	○
电源线①	○	○	○	○	○	○
电池系统②	X	○	○	○	○	○

本表格依据SJ/T11364的规定编制。

O: 表示该有害物质在该部件所有均质材料中的含量均在GB/T 26572规定的限量要求以下。

X: 表示该有害物质至少在该部件的某一均质材料中的含量超出GB/T 26572规定的限量要求。且目前业界没有成熟的替代方案，符合欧盟RoHS指令环保要求。

① 适用于采用电源线连接供电的产品。

② 适用于采用充电电池供电的产品。

产品环保使用期限内的使用条件参见产品说明书。

繁體中文

吸塵器安全注意事項



請詳讀所有安全注意事項和指示。如未遵守安全注意事項與指示，可能導致火災、人員遭受電擊及 / 或重傷。

請妥善保存所有安全注意事項與指示，以供日後查閱之用。

▶ **本吸塵器不適合兒童以及體能、知覺或智能有障礙之人士，或者不具備充分經驗及知識者使用。否則可能會造成操作上的錯誤以及受傷危險。**

▶ **請留意兒童的安全。如此才能確保他們未將本吸塵器當做玩具任意玩耍。**

▶ 請遵守待吸除物質的所有安全規定。

▶ 請勿用於吸除樺木屑、橡木屑、礦物粉塵或石棉。這些物質已認定為致癌物。

警告 您必須先瞭解吸塵器本身的使用方式、欲吸除之物質以及安全處置該物質的方式等相關資訊之後，才可開始使用吸塵器。謹慎的事前教育訓練可減少操作錯誤或人員受傷。

警告 吸塵器本身僅適合用於吸除乾燥材料，並且在採取適當措施後亦可用於吸除液體。如有液體滲入將增加觸電風險。

▶ 吸塵器切勿用於吸除汽油、機油、酒精、溶劑等可燃或易爆液體。切勿用於吸除高溫、燃燒中或具爆炸性的粉塵。吸塵器不得在具有爆炸危險之空間裡運轉。上述灰塵、蒸氣或液體可能自然或爆炸。

警告 此插座僅可用於操作說明書中指定的用途。

警告 若有任何泡沫漏出機外或有水滲出，請立刻關閉吸塵器電源並清空容器。否則吸塵器可能損壞。

▶ **注意！此吸塵器僅能存放於室內。**

▶ **注意！定期清潔液體滿載感應器，並檢查該部件有無受損。否則，浮球的運作功能可能受影響。**

▶ **如果無法避免在潮濕環境下操作吸塵器，應使用漏電保護開關。使用漏電保護開關可降低觸電風險。**

▶ **每次使用前，請仔細檢查吸塵器、電線及插頭。若有發現任何受損現象，請勿使用吸塵器。請勿自行拆開吸塵器，而是應該將它交由合格的專業技師以原廠替換零件進行維修。吸塵器、電線和插頭如果損壞了，將增加觸電風險。**

▶ **不可輾壓或擠壓電線。將插頭拔出插座時或移動吸塵器時，請勿直接拉扯電線。損壞的電線將增加觸電風險。**

▶ **在維護或清潔吸塵器、進行設備設定、更換配件或儲藏吸塵器之前，請先將插頭從插座上拔下。此預防措施可以防止吸塵器意外啟動。**

▶ **要確保工作場所通風良好。**

▶ **請務必將吸塵器交由合格的專業技師以原廠替換零件進行維修。如此才能確保吸塵器的安全性能。**

警告 本吸塵器內含危害人體健康的粉塵。所有清空及維護作業（包含清除集塵容器在內）僅可交由受過專業訓練的人員執行。必須穿戴適當的防護裝備。過濾裝置若未裝配齊全或未謹慎裝入，本吸塵器不得運轉。否則將危害您的身體健康。

▶ **正式運轉前，請確認吸塵軟管是否狀況良好。此時請將吸塵軟管確實裝到吸塵器上，以免粉塵意外洩露。若不這樣做，您可能會吸入廢塵。**

▶ **切勿將吸塵器當作椅子使用。這樣可能造成吸塵器損壞。**

▶ **使用電源線及吸塵軟管時，請您小心謹慎。因為上述部件可能危及他人安全。**

▶ **清潔時，勿用水柱直噴吸塵器。如有水滲入吸塵器上部，將增加觸電風險。**

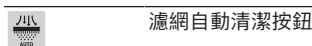
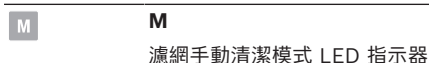
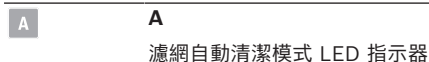
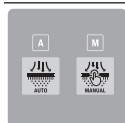
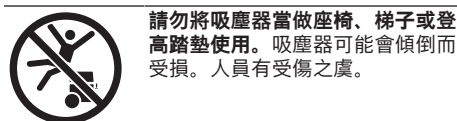
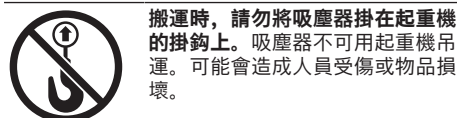
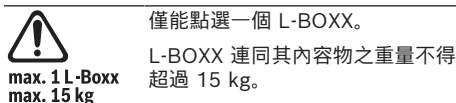
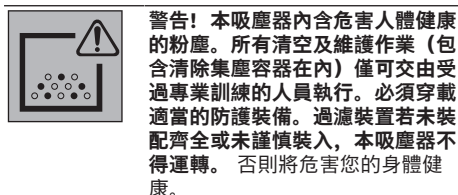
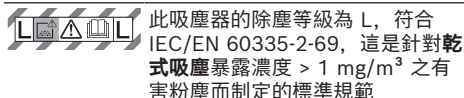
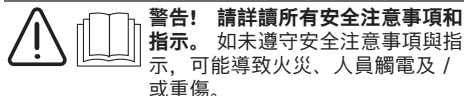
▶ **請將吸塵器連接至合規的已接地市電電力網。插座與延長線都必須具有接地保護設計。**

▶ **進行溼式吸塵或在潮濕環境中時，請勿使用吸塵器上的插座。接觸到水即可能造成短路或觸電風險。**

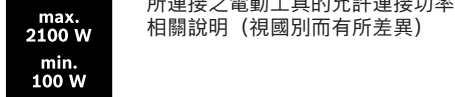
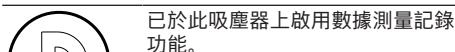
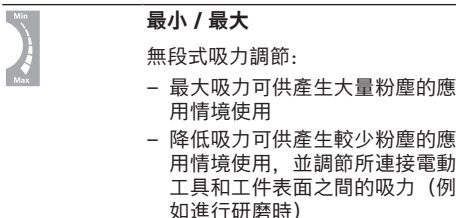
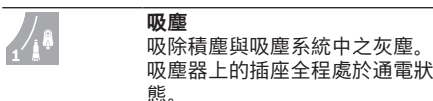
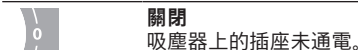
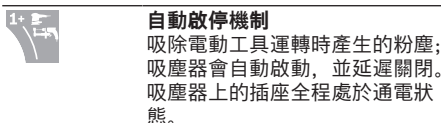
符號

以下符號可以幫助您正確地使用本吸塵器。請牢記各符號和它們的代表意義。正確了解各符號的代表意義，可以讓您更有把握更安全地操作本吸塵器。

符號和它們的代表意義



符號和它們的代表意義



產品和規格性能

請留意操作說明書中最前面的圖示。

依規定使用機器

本吸塵器適用於收集、吸除、輸送和分離不可燃的乾燥粉塵和不可燃液體。本吸塵器已接受過粉塵技術性檢驗，並且符合粉塵等級 L。此吸塵器可適用於工商業界之高密度使用頻率，例如：手工業、工業和維修廠。

符合 IEC/EN 60335-2-69 的粉塵等級 L 吸塵器僅適用於吸除暴露濃度 $> 1 \text{ mg/m}^3$ 的有害粉塵。必須熟悉所有的操作功能，並且能夠不受限制地執行各功能時才可以使用本吸塵器。否則須接受充份指導才能操作本吸塵器。

插圖上的機件

機件的編號和吸塵器詳解圖上的編號一致。

- (1) 集污箱
- (2) 總開關
- (3) 軟管接口

- | | |
|-------------------------|----------------------------|
| (4) 連接電動工具的插座 | (27) 粗濾器蓋 |
| (5) 濾網自動清潔模式 LED 指示器 A | (28) 粗濾器解鎖按鈕 |
| (6) 濾網手動清潔模式 LED 指示器 M | (29) 吸塵軟管 |
| (7) 濾網手動清潔按鈕 | (30) 吸塵硬管 |
| (8) 濾網自動清潔按鈕 | (31) 彎管吸頭 |
| (9) 吸力調節器 | (32) 塑膠袋 |
| (10) 提把 | (33) 通風口 |
| (11) L-BOXX 支座 | (34) 平摺式濾網 |
| (12) 吸塵器上部 | (35) 吸塵軟管按鈕 |
| (13) 拉帶 | (36) PowerTool 轉接頭 (前部) |
| (14) 固定孔 | (37) PowerTool 轉接頭 (後部) |
| (15) 吸塵器上部鎖扣 | (38) 組合式刷頭解鎖按鈕 |
| (16) 滾輪 | (39) 不織布濾袋支架 ^{a)} |
| (17) 轉向滾輪 | (40) 不織布濾袋 ^{a)} |
| (18) 轉向滾輪制動器 | (41) 推拉桿按鈕 ^{a)} |
| (19) 電線托架 | (42) 可拉出式推拉桿 ^{a)} |
| (20) 可拉出式推拉桿的導軌 | (43) 平摺式濾網濾器蓋 |
| (21) 後握持區 | (44) 粗濾器 |
| (22) 地板刷頭固定裝置 | (45) 液位感測器 |
| (23) 地板吸頭 | (46) 浮球 |
| (24) 組合式刷頭 | (47) 浮球鎖止裝置 |
| (25) 組合式吸塵轉接頭 (適用於電動工具) | (48) 磁鐵 |
| (26) 濾器蓋的鎖定片 | |

a) 所述之配件並不包含在基本的供貨範圍中。

技術性數據

乾濕兩用吸塵器		GAS 400 A	GAS 400 A
產品機號 3 601 JMO 020/... 0F0 ... 080/... 0E0/... 0N0 ... 0K0 ... 0L0/... 070 ... 0H0 ... 030	... 0D0/... 0G0 ... 0C0 ... 060
額定輸入功率	W	1200	1200
頻率	Hz	50-60	60
集污箱容量 (毛容量)	l	40	40
淨容量 (乾燥)	l	28	26
淨容量 (液體)	l	20	18
負壓 ^{A)}			
- 吸塵器	hPa	200	180
- 渦輪	hPa	230	200
流量 ^{A)}			
- 吸塵器	l/s	28	26
	m ³ /h	100.8	93.6
- 渦輪	l/s	71.5	70
	m ³ /h	257	252
粉塵等級		L	L
重量 ^{B)}	kg	14.0	14.5

乾濕兩用吸塵器	GAS 400 A	GAS 400 A
絕緣等級	⊕/I	⊕/I
防護等級	IPX4	IPX4

A) 使用直徑 28 mm、長度 4 m 的吸塵軟管進行測量

B) 不包括電源線和電源插頭的重量

該數據適用於指定的額定電壓。於使用不同電壓的地區，此數據有可能不同。

數值可能因產品而異，並受使用條件以及環境條件影響。進一步資訊請見 www.bosch-professional.com/wac。

吸塵器上的插座

所連接之電動工具的最大允許連接功率			
3 601 JMO ...	額定電壓	最大功率	最小功率
... 020/... 0F0	230 V	2100 W	100 W
... 080/... 0E0/... 0N0	220 V	2100 W	100 W
... 0K0	220–230 V	2100 W	100 W
... 0L0/... 070	220–240 V	1660 W	100 W
... 0H0	220 V	1000 W	100 W
... 030	230 V	1100 W	100 W
... 0D0/... 0G0	127 V	705 W	100 W
... 0C0	115 V	525 W	100 W
... 060	110 V	560 W	100 W

所連接之電動工具的允許連接功率相關說明。

其他特定國家機型的這項數據可能不同。請您留意吸塵器插座上標示的數據。

安裝

- ▶ 在維護或清潔吸塵器、進行設備設定、更換配件或儲藏吸塵器之前，請先將插頭從插座上拔下。此預防措施可以防止吸塵器意外啟動。

安裝吸塵器配件 (請參考圖 A)

吸塵軟管 (29) 採用卡夾系統，可直接連接吸塵器配件 (組合式吸塵轉接頭 (25)、彎管吸頭 (31)、組合式刷頭 (24))。

安裝彎管吸頭

- 將彎管吸頭 (31) 插在吸塵軟管 (29) 上，直至聽見吸塵軟管的兩個按鈕 (35) 卡上的聲音。
- 拆卸時，將按鈕 (35) 往內按壓，然後拔開零組件即可。

安裝地板吸頭和管件

- 若有需要，將吸塵硬管 (30) 相互牢固地插上，然後緊插於彎管吸頭 (31)。
- 將地板刷頭 (23) 緊插於吸塵硬管 (30) 或彎管吸頭 (31) 上。

安裝組合式吸塵轉接頭

此組合式吸塵轉接頭 (25) 由 PowerTool 轉接頭 (前部) (36) 和 PowerTool 轉接頭 (後部) (37) 組成。

此組合式吸塵轉接頭 (25) 與博世電動工具相容。

此 PowerTool 轉接頭 (後部) (37) 可透過其 38.5 mm 之內徑和 45 mm 之外徑供其他製造商的電動工具使用。

請將此 PowerTool 轉接頭 (前部) (36) 插入 PowerTool 轉接頭 (後部) (37)，並將兩個轉接頭以往相反方向旋轉的方式連接 (請參考圖 B)。

將組合式吸塵轉接頭 (25) 插在吸塵軟管 (29) 上，直到聽見吸塵軟管的兩個按鈕 (35) 卡上的聲音。

拆卸時，將按鈕 (35) 往內按壓，然後從吸塵軟管拔開組合式吸塵轉接頭即可。

若要分離這兩個轉接頭，請以相反方向旋轉以鬆開連接，然後將轉接頭拔開即可。

安裝組合式刷頭

將組合式刷頭 (24) 插在吸塵軟管 (29) 上，直到聽見吸塵軟管的兩個按鈕 (35) 卡上的聲音。

拆卸時，將按鈕 (35) 往內按壓，然後拔開零組件即可。

調整組合式刷頭 (請參考圖 C)

您可以將組合式刷頭 (24) 作為隙縫吸頭或刷子使用。

請按下解鎖按鈕 (38) 並將刷子向前推，以將組合式刷頭 (24) 作為刷子使用。

請按下解鎖按鈕 (38) 並將刷子向後拉，以將組合式刷頭 (24) 作為隙縫吸頭使用。

安裝吸塵軟管 (請參考圖 D)

請將吸塵軟管 (29) 插在軟管接口 (3) 上，然後沿順時針方向旋轉到底。

提示：吸塵時，因吸塵軟管內與吸塵配件內的粉塵相互摩擦形成靜電，使用者可能感覺其靜電釋放 (視環境因素和身體感受而定)。

博世建議您：抽吸細微粉塵和乾燥物質時原則上請使用抗靜電吸塵軟管 (配件)。

將吸塵軟管固定在吸塵器上 (請參考圖 E)

將安裝好的吸塵軟管 (29) 纏繞放置於吸塵軟管收納格中。請將兩條拉帶 (13) 向上拉並鉤入固定孔(14) 中。

裝入 / 取出塑膠袋 (用於乾式吸塵) (請參考圖 F)

請打開兩個鎖扣 (15) 並取下吸塵器上部(12)。進行乾式吸塵時，請將塑膠袋 (32) 裝入集污箱 (1) 中。

將塑膠袋 (32) 的裝填口朝上然後裝入集污箱 (1) 內。

請確認，塑膠袋 (32) 整個緊貼在集污箱內壁 (1) 上。

將塑膠袋 (32) 的剩餘部分撐開套在集污箱邊緣 (1) 上。請確保塑膠袋的限位線位於集污箱邊緣，並將通風口 (33) 保留在集污箱中。

請再次裝上吸塵器上部 (12)，並使用鎖扣 (15) 關閉吸塵器。

▶ 請確保吸塵器始終確實關上。

取出塑膠袋前，請先將其封妥。將袋子的頂部捏緊，並使用帶子繫緊。

裝入 / 取出不織布濾袋 (用於乾式吸塵) (請參考圖 G-H)

若要對符合粉塵等級 L 的物質進行乾式吸塵，您可以裝入一個不織布濾袋 (40) (配件)。

若吸入的物質無或其暴露濃度 $\geq 1 \text{ mg/m}^3$ (符合粉塵等級 L)，即可直接吸入集污箱中。

提示：在使用不織布濾袋時，請關閉濾網自動清潔功能 (參見「濾網自動 / 手動清潔功能 (請參考圖 M)」，頁 71)。

⚠ 警告 本吸塵器內含危害人體健康的粉塵。所有清空及維護作業

(包含清除集塵容器在內) 僅可交由受過專業訓練的人員執行。必須穿戴適當的防護裝備。過濾裝置若未裝配齊全或未謹慎裝入，本吸塵器不得運轉。否則將危害您的身體健康。

打開鎖扣 (15) 並取下吸塵器上部 (12)。

裝入時，將不織布濾袋 (40) 插在不織布濾袋支架 (39) 上，然後將不織布濾袋 (40) 連同不織布濾袋支架 (39) 裝入集污箱 (1) 中。

取出時，透過拉動鎖扣的方式封好裝滿的不織布濾袋開口。將已封好的不織布濾袋 (40) 從不織布濾袋支架 (39) 上拔下，然後從吸塵器中取出。

將吸塵器上部 (12) 重新套上，並透過關閉鎖扣 (15) 的方式將集污箱 (1) 連接至吸塵器上部 (12)。

扣上 L-Boxx (請參考圖 I)

若要搬運吸塵器以及以節省空間的方式收納吸塵器配件和 / 或電動工具，您可以在吸塵器上部扣上一個 L-Boxx。

請將吸塵軟管固定在吸塵器上 (請參考圖 E)。

請將 L-Boxx 扣上支座 (11)。

▶ **請勿在按下 L-Boxx 的情況下吸塵。** 吸塵器的重心會向上移動。吸塵器可能會傾倒。可能會造成人員受傷或物品損壞。

▶ **請勿使用已按下 L-Boxx 的提把搬動吸塵器。** 對於 L-Boxx 的提把來說，吸塵器太重。可能會造成人員受傷或物品損壞。

安裝可拉出式推拉桿 (配件) (請參考圖 J-K)

提示：可拉出式推拉桿無法拆卸。請確保推拉桿在安裝時正確對齊。

在裝入之前，按照標記 R (右) 和 L (左) 對準推拉桿 (42)。

請將推拉桿 (42) 裝入導軌 (20)。

請將推拉桿 (42) 按到底至限位線，直到聽見推拉桿卡上的聲音。

請按下按鈕 (41)，以改變推拉桿 (42) 的長度。

操作

▶ **在維護或清潔吸塵器、進行設備設定、更換配件或儲藏吸塵器之前，請先將插頭從插座上拔下。** 此預防措施可以防止吸塵器意外啟動。

操作機器

▶ **注意電源的電壓！** 電源的電壓必須和吸塵器銘牌上標示的電壓一致。

▶ **請遵循所在地關於有害廢塵的適用規範 / 法律。**

本吸塵器可以吸集以下的物體：

– 暴露濃度 $> 1 \text{ mg/m}^3$ 的粉塵

原則上不可以具有爆炸危險的場所內使用本吸塵器。

為確保能達到最佳吸力，必須隨時將吸塵軟管 (29) 從吸塵器上部 (12) 一路完全伸展開來。

調節吸力

透過吸力調節器 (9) 即可無段式調節吸力。

針對產生大量粉塵的應用情境，請將吸力調節器 (9) 調整為最大吸力。

針對產生較少粉塵的應用情境以及為調節所連接電動工具和工件表面之間的吸力 (例如進行研磨時)，請將吸力調節器 (9) 調整至降低吸力的位置。

吸塵器上的插座

▶ **請注意吸塵器上插座容許的連接功率。超過最大容許的連接功率可能導致吸塵器過載。馬達保護功能將觸發。** 將吸塵器寄至授權的客戶服務中心 **Bosch**。

一旦將吸塵器的電源插頭插入插座，且總開關處於位置 1，電動工具的插座 (4) 便會通電。它可作為吸塵器上的外部電源連接使用，例如在使用吸塵系統作業時。在位置 1+ 時，吸塵器的自動啟停機制即啟用。透過連接的電動工具即可遙控啟動吸塵器。

乾式吸塵

吸除積塵



若要啟動吸塵器，請將總開關 (2) 轉至位置 1。



若要關閉吸塵器，請將總開關 (2) 轉至位置 0。

吸除電動工具運轉時產生的粉塵 (請參考圖 L)

- ▶ 氣體若是排放至室內，則須要有足夠的通風率。請遵照各國相關規定。

吸塵器有內建一個電動工具插座 (4)。您可從此插座連接外接式電動工具。請注意所連接之電動工具的最大允許連接功率。

安裝組合式吸塵轉接頭 (25) (請參考圖 B)。

請將組合式吸塵轉接頭 (25) 插入電動工具的吸塵接管內。



若要開啟吸塵器的自動啟停機制，請將總開關 (2) 轉至位置 1+。

啟動連接在插座 (4) 上的電動工具，吸塵器即可開始運轉。此時吸塵器會自動運動。

關閉電動工具時，吸塵功能也會同時停止。

自動啟停機制的延時運轉功能將繼續運轉 15 秒，以吸除吸塵軟管內殘留的粉塵。



若要關閉吸塵器，請將總開關 (2) 轉至位置 0。

使用吸塵系統 (配件)



請將吸塵系統連接到吸塵軟管 (29)。

若要吸除吸塵系統上之灰塵，請將總開關 (2) 轉至位置 1。

請將吸塵系統貼近牆壁，並啟動電動工具。由於產生的負壓，吸塵系統會自行附著。

關閉電動工具，並小心地將吸塵系統從牆上取下。



若要關閉吸塵器，請將總開關 (2) 轉至位置 0。

濕式吸塵

- ▶ 吸塵器切勿用於吸除汽油、機油、酒精、溶劑等可燃或易爆液體。切勿用於吸除高溫、燃燒中或具爆炸性的粉塵。吸塵器不得在具有爆炸危險之空間裡運轉。上述灰塵、蒸氣或液體可能自燃或爆炸。

- ▶ 不得將本吸塵器當做水泵使用。吸塵器的設計是適用於吸除水液與空氣的混合物。

提示：此防塵等級 (粉塵等級 L) 的認證僅適用於乾式吸塵。

進行濕式吸塵前

請清空集污箱 (1) 並取出塑膠袋 (32) 或不織布濾袋 (40)。

檢查液位感測器 (45) 是否有污物。唯有液位感測器乾淨的情況下，吸塵器才能在集污箱達到滿載裝填狀態時自動關閉 (參見「清潔液位感測器 (請參考圖 Q-R)」, 頁 72)。

- ▶ 在進行濕式吸塵時，必須停用濾網自動清潔功能。

請按下濾網自動清潔按鈕 (8)，以啟用濾網自動清潔功能 (參見「濾網自動清潔功能」, 頁 71)。濾網自動清潔功能將因而停用，且 LED 指示器 A (5) 也會熄滅。

吸除液體

警告 若有任何泡沫漏出機外或有水滲出，請立刻關閉吸塵器電源並清空容器。否則吸塵器可能損壞。

若要啟動吸塵器，請將總開關 (2) 轉至位置 1。

本吸塵器配備有液位感測器 (45)。當達到最大裝填高度時，吸塵器將自動關閉，且兩個 LED 指示器 A (5) 和 M (6) 將以每秒 1 次的頻率同時閃爍。防止再起動功能即啟用，並可透過將吸塵器啟動 / 關閉一次而停用。

提示：請定期檢查裝填狀態並及時清空集污箱。

若要關閉吸塵器，請將總開關 (2) 轉至位置 0。

請在後握持區 (21) 握住集污箱 (1)，將其向前擺動以排空液體。

進行濕式吸塵後

請在每次濕式吸塵後清潔液位感測器 (45) (參見「清潔液位感測器 (請參考圖 Q-R)」, 頁 72)。

進行濕式吸塵後，為避免發霉：

- 取出平摺式濾網 (34)，並使其徹底晾乾。
- 請取下吸塵器上部 (12)，打開濾器蓋 (43)，並使兩者徹底乾燥。

濾網自動 / 手動清潔功能 (請參考圖 M)

濾網自動清潔功能

提示：吸塵器啟動時，預設為濾網自動清潔功能。

LED 指示器 A (5) 會持續亮著。

在濾網自動清潔過程中，每 15 秒會透過 2 次噴氣清潔平摺式濾網 (34) (有脈衝聲)。

定期使用濾網清潔功能可以延長濾網的使用壽命。

為達到理想的濾網使用壽命，請僅在例外情況下停用濾網自動清潔功能，例如進行濕式吸塵時。

濾網手動清潔功能

請按下濾網手動清潔按鈕 (7)，以進行濾網手動清潔。

平摺式濾網 (34) 會透過 2 次噴氣進行清潔。

LED 指示器 M (6) 將亮起白燈 2 秒。當 LED 指示器 M (6) 熄滅時，即可觸發下一次噴氣。為此，請再次按下濾網手動清潔按鈕 (7)。

提示：在進行濾網手動清潔時，請注意每次按壓按鈕之間應有 2-3 秒的時間間隔。連續多次按壓濾網手動清潔按鈕 (7) 將導致吸塵器過熱保護功能啟

用。過熱保護功能將在一段時間後自動解除 (參見「排除故障」, 頁 73)。

若要關閉濾網自動清潔功能, 請按下濾網自動清潔按鈕 (8)。

平摺式濾網即使表面髒污還是能發揮應有作用。您不必以敲打或吹氣方式親自清潔平摺式濾網, 這樣做反而可能造成濾網損壞。

維修和服務

保養與清潔

▶ 在維護或清潔吸塵器、進行設備設定、更換配件或儲藏吸塵器之前, 請先將插頭從插座上拔下。此預防措施可以防止吸塵器意外啟動。

▶ 吸塵器和通氣孔必須隨時保持清潔, 以確保工作效率和工作安全。

如果必須更換連接線, 請務必交由 **Bosch** 或者經授權的 **Bosch** 電動工具顧客服務執行, 以避免危害機器的安全性能。

▶ 維修和清潔吸塵器時, 請戴上防塵面罩。

您可以每隔一段時間以濕布清潔吸塵器外部。

▶ 請勿使用壓縮空氣清潔吸塵器。濾網或其他零件可能會損壞。

每年至少一次, 需由製造商或經過培訓的人員進行吸塵功能檢查 (例如, 檢查濾網是否損壞、吸塵器的密閉性以及檢查控制裝置是否正常運作)。

清潔危害健康物質後的清潔與維護

- 將所有可能接觸危害健康物質的零件視為已被污染。
- 將吸塵器從危害健康的區域移出前, 請先吸除、擦拭或封住吸塵器的外側。
- 僅在不對您和其他人造成危險的情況下清潔、拆卸和維護吸塵器。進行維護和清潔時, 得穿戴好個人的防護裝備。在通風良好的房間內進行工作。
- 拆卸吸塵器之前, 先清潔吸塵器的外部。
- 將吸塵器中無法充分清潔的所有零件放入防滲透袋中進行處理。請遵守此類廢棄物處理的適用法規。
- 工作完成後, 清潔維護區域。

清潔集塵箱

請您每隔一段時間使用一般市售無研磨作用的清潔劑將集污箱 (1) 擦拭乾淨, 然後晾乾。

清潔 / 更換平摺式濾網 (請參考圖 N-O)

▶ 打開過濾器蓋時, 請握住鎖定片並確保打開的過濾器蓋鎖定在垂直位置。如果過濾器蓋掉落, 則有受傷的危險。

吸塵器的吸力取決於濾網的狀態。因此請定期清潔濾網。

請立即更換受損的平摺式濾網 (34)。

- 拉動鎖定片 (26), 並將濾器蓋 (43) 向上翻, 直至其卡入垂直位置上。
- 握住平摺式濾網 (34) 的橫框並將其向上取出。

- 從集污箱 (1) 邊緣用濕布清除取下平摺式濾網 (34) 時產生的灰塵和污垢。
- 可於流水下沖洗平摺式濾網。
- 安裝一個新的或已清潔的平摺式濾網 (34), 請確保其穩固且正確安裝。
- 請將濾器蓋 (43) 鎖上, 直到聽見卡上的聲音。

清潔粗濾器 (請參考圖 P)

- ▶ 此粗濾器不能用任何液體清潔。
- ▶ 請勿從上方伸手至推拉桿和吸塵器之間以解鎖粗濾器蓋。否則您的手可能會被夾住。

請將推拉桿 (42) 向上拉, 直到可以從後方觸及粗濾器蓋。

請按下粗濾器蓋 (27) 的解鎖按鈕 (28), 然後將其從粗濾器格取出。

請取出粗濾器 (44)。

用柔軟的刷子輕刷粗濾器的濾網層。

請將粗濾器放入粗濾器蓋 (27)。

請將粗濾器蓋 (27) 放回粗濾器格, 然後合上。

清潔液位感測器 (請參考圖 Q-R)

請從插座拔下吸塵器的電源插頭。

請取下吸塵器上部 (12)。

清空集污箱 (1)。

移動或輕拍浮球 (46), 以清除污垢。

請使用柔軟的布清潔浮球 (46)。

必要時您也可以取出浮球。為此, 請按下鎖止裝置 (47) 並將浮球 (46) 取出。

請使用刷子清潔磁鐵 (48)。

重新裝入浮球 (46)。

收納與搬運

- 將電源線纏繞在電線托架 (19) 上。
- 將配件放入專用固定裝置中。
- 將安裝好的吸塵軟管 (29) 纏繞放置於吸塵軟管收納格中。請將兩條拉帶 (13) 向上拉並鉤入固定孔中。
- 請將 L-BOXX 扣上支座 (11)。
- 塑膠袋 / 不織布濾袋一旦裝滿便請將其取出。
- 請僅從提把 (10) 處提起吸塵器。
- 將吸塵器放置在表面平坦的乾燥空間內, 並應防止他人未經許可使用。
- 踩下轉向滾輪制動器 (18) 即可固定住轉向滾輪 (17)。
- 為能更加輕鬆地搬運吸塵器並同時保護您的背部, 請完全清空集污箱或丟棄裝滿的塑膠袋 / 不織布濾袋。
- 解鎖轉向滾輪制動器 (18), 以便推動或拉動吸塵器。
- 請僅將可拉出式推拉桿 (42) 用於推動或拉動吸塵器。不得使用推拉桿將吸塵器拖過樓梯平台。此時應使用提把。
- 在搬動吸塵器上樓梯時, 請確保您身後沒有其他人員, 以防止吸塵器意外掉落。

排除故障

- ▶ 發生故障時（例如濾網破裂），必須立刻將吸塵器關閉。必須將故障排除，然後才能重新運轉。

問題	補救措施
吸塵渦輪機未運轉。	全面檢查電源線、電源插頭、保險絲、插座和液位感測器 (45)。總開關 (2) 處於「自動啟停機制」位置。 將總開關 (2) 移至「吸塵」符號，或啟動連接在插座 (4) 上的電動工具。
吸塵渦輪機關閉。	進行濕式吸塵時，LED 指示器 A 和 M 會同時緩慢閃爍。 清空集污箱 (1)。 進行乾式吸塵時，LED 指示器 A 和 M 會同時快速閃爍：吸塵器上插座的過載保護已啟用。 關閉電動工具。
吸塵器關機。	吸塵器由於超過吸塵器上插座的最大電壓而過載：馬達保護功能已觸發。 將吸塵器寄至授權的客戶服務中心 Bosch 。
吸塵渦輪機在集污箱清空後未重新運轉。	關閉吸塵器並等待 5 秒，5 秒後再重新啟動。 使用刷子清潔液位感測器 (45) 以及液位感測器 (45) 之間的空隙。
吸力降低。	清除吸頭、吸塵硬管、吸塵軟管 (29) 或平摺式濾網 (34) 上的阻塞物。 更換塑膠袋 (32) / 不織布濾袋(40)。 正確卡入濾器蓋 (43)。 正確套上吸塵器上部 (12) 並扣上鎖扣 (15)。 更換平摺式濾網 (34)。
吸塵時有粉塵逸出	請檢查平摺式濾網 (34) 是否安裝正確。 更換平摺式濾網 (34)。
自動斷開裝置（濕式吸塵）未跳開。	使用刷子清潔液位感測器 (45) 以及液位感測器 (45) 之間的空隙。 請定期檢查裝填狀態。
濾網自動清潔功能未運作。	透過按下濾網手動清潔按鈕 (7) 切換至手動模式。 若問題持續存在，請洽詢授權的 Bosch 客戶服務中心。
無法觸發濾網手動清潔功能。	吸塵器的過熱保護功能已啟用。 連續按濾網手動清潔按鈕 (7) 10 次會觸發過熱保護功能。此過熱保護功能在 20 秒後將會自動解除。 連續按濾網手動清潔按鈕 (7) 30 次會觸發過熱保護功能。此過熱保護功能在 4 分後將會自動解除。 若問題持續存在，請洽詢授權的 Bosch 客戶服務中心。
自動濾網清潔功能未觸發。	請聯繫授權的客戶服務中心 Bosch 。

顧客服務處和顧客諮詢中心

本公司顧客服務處負責回答有關本公司產品的維修、維護和備用零件的問題。以下的網頁中有分解圖和備用零件相關資料：www.bosch-pt.com
如果對本公司產品及其配件有任何疑問，博世應用諮詢小組很樂意為您提供協助。
當您需要諮詢或訂購備用零件時，請務必提供本產品型號銘牌上 10 位數的產品機號。

台灣進口商

台灣羅伯特博世股份有限公司
建國北路一段90號6樓
台北市10491
電話: (02) 7734 2588

傳真: (02) 2516 1176
www.bosch-pt.com.tw

製造商地址:

Robert Bosch Power Tools GmbH
羅伯特·博世電動工具有限公司
70538 Stuttgart / GERMANY
70538 斯圖加特/ 德國

以下更多客戶服務處地址:

www.bosch-pt.com/serviceaddresses

廢棄物處理

必須以符合環保要求的方式處理廢棄的吸塵器、配件和包裝材料。



吸塵器不可以丟棄在一般的家庭垃圾中!

ไทย

คำเตือนเพื่อความปลอดภัยสำหรับเครื่องดูดฝุ่น



อ่านคำเตือนเพื่อความปลอดภัยและคำแนะนำทั้งหมด การไม่ปฏิบัติตามคำเตือนและคำสั่งอาจเป็นสาเหตุใหญ่ที่สุด เกิดไฟไหม้ และ/หรือได้รับบาดเจ็บอย่างร้ายแรง

เก็บรักษาคำเตือนเพื่อความปลอดภัยและคำแนะนำทั้งหมดสำหรับเปิดอ่านในภายหลัง

▶ เครื่องดูดฝุ่นนี้ไม่ได้มีไว้เพื่อการใช้งานโดยเด็กและบุคคลที่มีความบกพร่องทางกายภาพ ทางประสาทสัมผัส หรือทางจิตใจ หรือบุคคลที่ขาดประสบการณ์และความรู้ มิฉะนั้นจะมีอันตรายจากความผิดพลาดในการปฏิบัติงานและได้รับบาดเจ็บ

▶ ควบคุมดูแลเด็กฯ ทั้งนี้เพื่อให้มั่นใจได้ว่าเด็กฯ จะไม่เล่นเครื่องดูดฝุ่น

▶ โปรดปฏิบัติตามกฎระเบียบเพื่อความปลอดภัยทั้งหมดเกี่ยวกับสารที่ต้องการดูดฝุ่น

▶ อย่าดูดฝุ่นจากไม้ขีดหรือไม้ไผ่ ฝุ่นหิน หรือแร่ใยหินอย่างเด็ดขาด วัสดุเหล่านี้ถือเป็นสารก่อมะเร็ง

คำเตือน ใช้เครื่องดูดฝุ่นเมื่อท่านได้รับข้อมูลที่เพียงพอสำหรับการใช้งานเครื่องดูดฝุ่น วัสดุที่จะดูด และการกำจัดฝุ่นวัสดุอย่างปลอดภัยแล้วเท่านั้น การชี้แนะอย่างละเอียดถี่ถ้วนจะลดความผิดพลาดในการปฏิบัติงานและการบาดเจ็บ

คำเตือน เครื่องดูดฝุ่นเหมาะสำหรับดูดวัสดุแห้งและเมื่อเริ่มมาตรการที่เหมาะสม ก็สามารถดูดของเหลวได้เช่นกัน หากของเหลวเข้าในมอเตอร์ จะเพิ่มความเสี่ยงต่อการถูกไฟฟ้าดูด

▶ อย่าใช้เครื่องดูดฝุ่นเพื่อดูดของเหลวที่ไวไฟหรือระเบิดได้ด้วยอย่าง เช่น เบนซิน น้ำมัน แอลกอฮอล์ ตัวทำละลาย ยาดูดฝุ่นที่ร้อน ลูกไหม หรือระเบิดได้ อย่าใช้เครื่องดูดฝุ่นทำงานในบริเวณที่อาจเกิดระเบิดได้ ฝุ่น โอระเหย หรือของเหลวอาจลุกเป็นไฟหรือระเบิดได้

คำเตือน ใช้เต้าเสียบเฉพาะเพื่อวัตถุประสงค์ที่ระบุไว้ในคู่มือการใช้งานเท่านั้น

คำเตือน ปิดสวิตช์เครื่องดูดฝุ่นในทันทีที่มีฟองหรือน้ำไหลออกมา และให้ถ่ายถังบรรจุ มิฉะนั้นเครื่องดูดฝุ่นอาจชำรุดได้

▶ โปรดระวัง! ต้องเก็บเครื่องดูดฝุ่นไว้ภายในอาคารเท่านั้น

▶ โปรดระวัง! ทำความสะอาดเช่นเชอร์รี่ระดับของเหลวอย่างสม่ำเสมอและตรวจหาความเสียหาย มิฉะนั้นอาจส่งผลกระทบต่อการทำงานได้

▶ หากไม่สามารถหลีกเลี่ยงการใช้งานเครื่องดูดฝุ่นในสภาพแวดล้อมที่เปียกชื้น ให้ใช้อุปกรณ์ตัดวงจรกระแสเหลือ การใช้อุปกรณ์ตัดวงจรกระแสเหลือจะลดความเสี่ยงต่อการถูกไฟฟ้าดูด

▶ ตรวจสอบเครื่องดูดฝุ่น สายไฟฟ้า และปลั๊กไฟฟ้า ทุกครั้งก่อนการใช้งาน อย่าใช้เครื่องดูดฝุ่นเมื่อตรวจพบความเสียหาย อย่าเปิดเครื่องดูดฝุ่นด้วยตัวท่านเอง และส่งเครื่องเข้ารับการซ่อมแซมโดยช่างผู้เชี่ยวชาญและใช้อะไหล่เปลี่ยนของแท้เท่านั้น เครื่องดูดฝุ่น สายไฟฟ้า และปลั๊กไฟฟ้าที่เสียหายจะเพิ่มความเสี่ยงต่อการถูกไฟฟ้าดูด

▶ อย่าเคลื่อนทับหรือบีบอัดสายไฟฟ้า อย่าดึงที่สายไฟฟ้าเพื่อถอดปลั๊กไฟออกจากเต้าเสียบหรือเพื่อเลื่อนเครื่องดูดฝุ่น สายไฟฟ้าที่ชำรุดจะเพิ่มความเสี่ยงต่อการถูกไฟฟ้าดูด

▶ ถอดปลั๊กไฟออกจากเต้าเสียบก่อนบำรุงรักษาหรือทำความสะอาดเครื่องดูดฝุ่น ทำการปรับแต่งใดๆ ที่เครื่องเปลี่ยนอุปกรณ์ประกอบ หรือเก็บเครื่องดูดฝุ่นเข้าที่มาตรการเพื่อความปลอดภัยนี้จะป้องกันไม่ให้เครื่องดูดฝุ่นติดขึ้นโดยไม่ตั้งใจ

▶ จัดสถานที่ทำงานให้มีอากาศถ่ายเทที่ดี

▶ ส่งเครื่องดูดฝุ่นเข้ารับการซ่อมแซมโดยช่างผู้เชี่ยวชาญและใช้อะไหล่เปลี่ยนของแท้เท่านั้น ในลักษณะนี้ท่านจะแน่ใจได้ว่าเครื่องดูดฝุ่นอยู่ในสภาพที่ปลอดภัย

คำเตือน เครื่องดูดฝุ่นบรรจุฝุ่นที่เป็นอันตรายต่อสุขภาพ ใหญ่ผู้เชี่ยวชาญทำการถ่ายผง และบำรุงรักษา รวมทั้งกำจัดถังเก็บฝุ่นเท่านั้น จำเป็นต้องใช้อุปกรณ์ป้องกันที่เหมาะสม อย่าใช้งานเครื่องดูดฝุ่นโดยไม่มีการป้องกันครบถ้วนและสมบูรณ์ มิฉะนั้นจะเกิดอันตรายต่อสุขภาพของท่าน

▶ ก่อนเริ่มต้นทำงาน ให้ตรวจสอบว่าท่อดูดมีสภาพที่สมบูรณ์หรือไม่ สำหรับการตรวจสอบ ให้ปล่อยท่อดูดไว้บนเครื่องดูดฝุ่น ทั้งนี้เพื่อป้องกันไม่ให้ฝุ่นพุ่งออกมาโดยไม่ตั้งใจ มิฉะนั้นท่านอาจสูดดมฝุ่นเข้าไป

▶ อย่าใช้เครื่องดูดฝุ่นเป็นที่นั่ง เครื่องดูดฝุ่นอาจเสียหายได้

▶ ใช้สายไฟฟ้าและท่อดูดอย่างระมัดระวัง ท่านอาจทำให้บุคคลอื่นได้รับอันตราย

▶ อย่าทำความสะอาดเครื่องดูดฝุ่นโดยฉีดพ่นน้ำไปที่เครื่องโดยตรง การฉีดพ่นน้ำเข้าไปในส่วนของเครื่องดูดฝุ่นจะเพิ่มความเสี่ยงต่อการถูกไฟฟ้าดูด

▶ เชื่อมต่อเครื่องดูดฝุ่นเข้ากับแหล่งจ่ายไฟที่ต่อสายดินอย่างถูกต้อง เต้าเสียบและสายไฟต่อพ่วงต้องมีสายดินป้องกันที่พร้อมใช้งาน

▶ ห้ามใช้เต้าเสียบที่เครื่องดูดฝุ่นในกรณีที่ดูดฝุ่นเปียกหรืออยู่ในสภาพที่มีความชื้น การสัมผัสกับน้ำอาจก่อให้เกิดอันตรายจากไฟฟ้าลัดวงจรหรือไฟดูดได้

สัญลักษณ์

สัญลักษณ์ต่อไปนี้มีความสำคัญต่อการใช้งานเครื่องดูดฝุ่นของท่าน กรุณาจดจำสัญลักษณ์และความหมาย การแปลความหมายสัญลักษณ์อย่างถูกต้อง จะช่วยให้คุณสามารถใช้เครื่องดูดฝุ่นได้อย่างปลอดภัยและดียิ่งขึ้น

สัญลักษณ์และความหมายของสัญลักษณ์



คำเตือน! อ่านคำเตือนเพื่อความปลอดภัยและคำแนะนำทั้งหมด การไม่ปฏิบัติตามคำเตือนเพื่อความปลอดภัยและคำสั่งอาจเป็นสาเหตุใหญ่ถูกไฟฟาดูด เกิดไฟไหม้และ/หรือได้รับบาดเจ็บอย่างร้ายแรง



เครื่องดูดฝุ่นของฝุ่นประเภท L ตามมาตรฐาน IEC/EN 60335-2-69 สำหรับดูดฝุ่นแห้งที่เป็นอันตรายต่อสุขภาพที่มีค่าขีดจำกัดการรับสัมผัส > 1 mg/m³



คำเตือน! เครื่องดูดฝุ่นบรรจุฝุ่นที่เป็นอันตรายต่อสุขภาพ ให้ผู้เชี่ยวชาญทำการถนอม และบำรุงรักษา รวมทั้งกำจัดถังเก็บฝุ่นเท่านั้น จำเป็นต้องใช้อุปกรณ์ป้องกันที่เหมาะสม อย่าใช้งานเครื่องดูดฝุ่นโดยไม่มีระบบกรองที่ครบถ้วนและสมบูรณ์ มิฉะนั้นจะเกิดอันตรายต่อสุขภาพของท่าน



max. 1 L-Boxx
max. 15 kg

คลิกล็อคกล่อง L-BOXX ได้สูงสุดเพียงกล่องเดียวเท่านั้น

น้ำหนักของกล่อง L-BOXX รวมสิ่งของตามในแลวดองไม่เกิน 15 กก.



อย่าแขวนเครื่องดูดฝุ่นเข้ากับตะขอเคาน์เตอร์ เพื่อการขนย้าย เครื่องดูดฝุ่นไม่เหมาะที่จะขนย้ายด้วยเคาน์เตอร์ ซึ่งอาจก่อให้เกิดความเสี่ยงต่อการบาดเจ็บและการชำรุดเสียหาย



อย่าใช้เครื่องดูดฝุ่นเป็นที่นั่ง บันได หรือบันไดสเต็ป เครื่องดูดฝุ่นอาจพลิกคว่ำและชำรุดได้ มีความเสี่ยงต่อการบาดเจ็บ



A

A

สัญลักษณ์และความหมายของสัญลักษณ์

ไฟแสดงผล LED ใหม่ทำความสะอาดตัวกรองโดยอัตโนมัติ

M

ไฟแสดงผล LED ใหม่ทำความสะอาดตัวกรองด้วยตนเอง



ปุ่มทำความสะอาดตัวกรองโดยอัตโนมัติ



ปุ่มทำความสะอาดตัวกรองด้วยตนเอง



Start/Stop อัตโนมัติ

การดูดฝุ่นที่เกิดจากการทำงานของเครื่องมือไฟฟ้า เครื่องดูดฝุ่นจะเปิดสวิตช์โดยอัตโนมัติและปิดสวิตช์อีกครั้งพร้อมการหน่วงเวลา เต่าเสียบที่เครื่องดูดฝุ่นจะมีระดับดันไฟฟ้าไหลผ่านอยู่ตลอด



ปิดใช้งาน

เต่าเสียบที่เครื่องดูดฝุ่นจะไม่มีกระแสไฟฟ้าไหลผ่าน



ดูดฝุ่น

ดูดฝุ่นที่ตกลงสะสมและฝุ่นจากระบบดูดฝุ่น เต่าเสียบที่เครื่องดูดฝุ่นจะมีระดับดันไฟฟ้าไหลผ่านอยู่ตลอด



ค่าต่ำสุด/ค่าสูงสุด

ควบคุมกำลังในการดูดฝุ่นโดยไม่ต้องปรับตามระดับ:

- กำลังดูดสูงสุดสำหรับใช้กับฝุ่นที่ก่อตัวหนา
- กำลังดูดลดลงสำหรับใช้กับฝุ่นที่ก่อตัวน้อย และเพื่อควบคุมแรงการดูดฝุ่นระหว่างเครื่องมือไฟฟ้าที่เชื่อมต่ออยู่และพื้นผิวของชิ้นงาน (เช่น เมื่อทำงานขัด)



การบันทึกข้อมูลถูกเปิดใช้งานในเครื่องดูดฝุ่นนี้

max.
2100 W
min.
100 W

ข้อมูลจำเพาะของภาระต่อเชื่อมที่อนุญาตของเครื่องมือไฟฟ้าที่เชื่อมต่อ (เฉพาะประเทศ)

คำอธิบายผลิตภัณฑ์และบริการ

กรุณาดูภาพประกอบในส่วนหน้าของคู่มือการใช้งาน

ประโยชน์การใช้งานของเครื่อง

เครื่องดูดฝุ่นนี้ใช้สำหรับเก็บ ดูด ล้างเสียง และแยกฝุ่นแห้งไม่ไวไฟและของเหลวไม่ไวไฟ เครื่องดูดฝุ่นนี้ผ่านการทดสอบทางเทคนิคเกี่ยวกับฝุ่น และสอดคล้องกับฝุ่นประเภท L

เครื่องดูดฝุ่นนี้เหมาะสำหรับการใช้งานเชิงพาณิชย์ที่มีปริมาณงานเพิ่มขึ้น เช่น ในงานช่างฝีมือ อุตสาหกรรม และโรงซ่อมสร้าง

ตามมาตรฐาน IEC/EN 60335-2-69 เครื่องดูดฝุ่นของฝุ่นประเภท L สามารถใช้เฉพาะสำหรับดูดออกและดูดฝุ่นที่เป็นอันตรายต่อสุขภาพที่มีค่าขีดจำกัดการรับสัมผัส > 1 mg/m³ เท่านั้น

ใช้เครื่องดูดฝุ่นเมื่อท่านเข้าใจฟังก์ชันทั้งหมดอย่างครบถ้วนแล้วเท่านั้น และสามารถปฏิบัติงานได้อย่างไม่มีข้อจำกัด หรือเมื่อได้รับคำแนะนำที่เหมาะสม

ส่วนประกอบที่แสดงภาพ

ลำดับเลขของส่วนประกอบผลิตภัณฑ์อ้างอิงถึงส่วนประกอบของเครื่องดูดที่แสดงในหน้าภาพประกอบ

- (1) ถังบรรจุ
- (2) สวิตช์หลัก
- (3) ส่วนเชื่อมต่อท่อ
- (4) เต้าเสียบสำหรับเครื่องมือไฟฟ้า
- (5) ไฟแสดงผล LED A โหมดทำความสะอาดตัวกรองโดยอัตโนมัติ
- (6) ไฟแสดงผล LED M โหมดทำความสะอาดตัวกรองด้วยตนเอง
- (7) ปุ่มทำความสะอาดตัวกรองด้วยตนเอง
- (8) ปุ่มทำความสะอาดตัวกรองโดยอัตโนมัติ
- (9) ตัวควบคุมกำลังในการดูด
- (10) ด้ามถือ
- (11) ตัวยึด L-BOXX
- (12) ส่วนบนของเครื่องดูดฝุ่น
- (13) สายลากจูง
- (14) ช่องยึด
- (15) ตัวล็อคสำหรับส่วนบนของเครื่องดูดฝุ่น
- (16) ล้อหลัง
- (17) ล้อเลื่อน
- (18) เบรกล้อเลื่อน
- (19) ที่ม้วนเก็บสายไฟฟ้า

- (20) รางเลื่อนปรับสำหรับโครงเลื่อนแบบยึดออกได้
- (21) บริเวณจับยึดด้านหลัง
- (22) ตัวยึดสำหรับหัวดูดพื้น
- (23) หัวดูดพื้น
- (24) หัวแปรงอ่อนประกบประงค์
- (25) อะแดปเตอร์ดูดฝุ่นอ่อนประกบประงค์ (สำหรับเครื่องมือไฟฟ้า)
- (26) สลักล็อคของฝาครอบชุดกรอง
- (27) ฝาครอบตัวกรองชั้นต้น
- (28) ปุ่มปลดล็อคตัวกรองชั้นต้น
- (29) ท่อดูด
- (30) ท่อดูดแข็ง
- (31) หัวดูดปลายโค้ง
- (32) ถังพลาสติก
- (33) ช่องผ่านของอากาศ
- (34) ตัวกรองแบบจيبเรียง
- (35) ปุ่มกดท่อดูด
- (36) อะแดปเตอร์ PowerTool (ชั้นส่วนด้านหน้า)
- (37) อะแดปเตอร์ PowerTool (ชั้นส่วนด้านหลัง)
- (38) ปุ่มปลดล็อคหัวแปรงอ่อนประกบประงค์
- (39) ตัวยึดถุงกรองผ้าฟลิส^{a)}
- (40) ถังกรองผ้าฟลิส^{a)}
- (41) ปุ่มกดโครงเลื่อน^{a)}
- (42) โครงเลื่อนแบบยึดออกได้^{a)}
- (43) ฝาครอบตัวกรองแบบจيبเรียง
- (44) ตัวกรองชั้นต้น
- (45) เซ็นเซอร์ปริมาณบรรจุ
- (46) ลูกลอย
- (47) ตัวล็อคลูกลอย
- (48) แม่เหล็ก

a) อุปกรณ์เสริมนี้ไม่อยู่ในรายการอุปกรณ์มาตรฐานที่จัดส่ง

ข้อมูลทางเทคนิค

เครื่องดูดฝุ่นแท่ง/เบียง		GAS 400 A	GAS 400 A
หมายเลขผลิตภัณฑ์ 3 601 JMO 020/... 0F0 ... 080/... 0E0/... 0N0 ... 0K0 ... 0L0/... 070 ... 0H0 ... 030	... 0D0/... 0G0 ... 0C0 ... 060
กำลังไฟพิกัด	วัตต์	1200	1200
ความถี่	เฮิร์ตซ์	50-60	60

เครื่องดูดฝุ่นแห้ง/เปียก		GAS 400 A	GAS 400 A
ปริมาณถังบรรจุ (รวมทั้งหมด)	ลิตร	40	40
ปริมาณตรูลูทรี (แห้ง)	ลิตร	28	26
ปริมาณตรูลูทรี (ของเหลว)	ลิตร	20	18
ความดันสูญญากาศ ^{A)}			
- เครื่องดูดฝุ่น	hPa	200	180
- เทอร์โบ	hPa	230	200
อัตราการไหล ^{A)}			
- เครื่องดูดฝุ่น	ลิตร/ วินาที	28	26
	ลูกบาศก์ กเมตร/ ชม.	100.8	93.6
- เทอร์โบ	ลิตร/ วินาที	71.5	70
	ลูกบาศก์ กเมตร/ ชม.	257	252
ฝุ่นประเภท		L	L
น้ำหนัก ^{B)}	กก.	14.0	14.5
ระดับการป้องกัน		☉/I	☉/I
ประเภทการป้องกัน		IPX4	IPX4

A) วัดด้วยท่อดูด Ø 28 มม. และความยาว 4 ม.

B) น้ำหนักโดยไม่รวมสายเชื่อมต่อแหล่งจ่ายไฟและไม่รวมปลั๊กไฟ

ข้อมูลนี้ใช้กับแรงดันไฟฟ้าที่ระบุ ค่าเหล่านี้อาจเปลี่ยนแปลงไปสำหรับแรงดันไฟฟ้าที่แตกต่างกันและโมเดลที่ผลิตสำหรับเฉพาะประเทศ

ค่าอาจแตกต่างกันไปตามผลิตภัณฑ์และขึ้นอยู่กับเงื่อนไขการใช้งานและสภาพแวดล้อม โปรดดูข้อมูลเพิ่มเติมที่เว็บไซต์

www.bosch-professional.com/wac

เต้าเสียบที่เครื่องดูดฝุ่น

โพลดเชื่อมต่อที่อนุญาตของเครื่องมือไฟฟ้าที่เชื่อมต่อ	แรงดันไฟฟัักัด	กำลังไฟฟ้าสูงสุด	กำลังไฟฟ้าต่ำสุด
3 601 JMO ...			
... 020/... 0F0	230 โวลต์	2100 วัตต์	100 วัตต์
... 080/... 0E0/... 0N0	220 โวลต์	2100 วัตต์	100 วัตต์
... 0K0	220-230 โวลต์	2100 วัตต์	100 วัตต์
... 0L0/... 070	220-240 โวลต์	1660 วัตต์	100 วัตต์
... 0H0	220 โวลต์	1000 วัตต์	100 วัตต์
... 030	230 โวลต์	1100 วัตต์	100 วัตต์
... 0D0/... 0G0	127 โวลต์	705 วัตต์	100 วัตต์
... 0C0	115 โวลต์	525 วัตต์	100 วัตต์
... 060	110 โวลต์	560 วัตต์	100 วัตต์

ข้อมูลจำเพาะของภาวะต่อเชื่อมที่อนุญาตของเครื่องมือไฟฟ้าที่เชื่อมต่อ

สำหรับรุ่นเฉพาะประเทศอื่นๆ ค่าเหล่านี้อาจแตกต่างกันไป กรุณาปฏิบัติตามคำแนะนำบนเต้าเสียบของเครื่องดูดฝุ่น

การติดตั้ง

- ▶ **ถอดปลั๊กไฟฟ้าออกจากเต้าเสียบก่อนบำรุงรักษาหรือทำความสะอาดเครื่องดูดฝุ่น ทำการปรับแต่งใดๆ ที่เครื่องเปลี่ยนอุปกรณ์ประกอบ หรือเก็บเครื่องดูดฝุ่นเข้าที่** มาตรการเพื่อความปลอดภัยนี้จะป้องกันไม่ให้เครื่องดูดฝุ่นติดขึ้นโดยไม่ตั้งใจ

การติดตั้งอุปกรณ์ดูด (รูปภาพประกอบ A)

ท่อดูด (29) มีระบบคลิปที่สามารถเชื่อมต่อกับอุปกรณ์เสริมสำหรับดูดฝุ่น (อะแดปเตอร์ดูดฝุ่นนอกประสงค์ (25), หัวดูดปลายโค้ง (31) และหัวแปรงนอกประสงค์ (24))

การติดตั้งหัวดูดปลายโค้ง

- เสียบหัวดูดปลายโค้ง (31) เข้าบนท่อดูด (29) จนได้ยินเสียงปุ่มกดทั้งสอง (35) ของท่อดูดชนเขาล็อค
- เมื่อต้องการถอดออก ให้กดปุ่มกด (35) เขาด้านในและดึงขึ้นส่วนออกจากกัน

การติดตั้งหัวดูดพื้นและท่อดูด

- หากจำเป็นให้เสียบท่อดูด (30) เข้าด้วยกันให้แน่นแล้วเข้ากับหัวดูดแบบโค้ง (31)
- เสียบหัวดูดพื้น (23) เข้าบนท่อดูด (30) หรือหัวดูดปลายโค้ง (31) ให้แน่น

การติดตั้งอะแดปเตอร์ดูดฝุ่นนอกประสงค์

อะแดปเตอร์ดูดฝุ่นนอกประสงค์ (25) ประกอบด้วยอะแดปเตอร์ PowerTool (ชิ้นส่วนด้านหน้า) (36) และอะแดปเตอร์ PowerTool (ชิ้นส่วนด้านหลัง) (37)

อะแดปเตอร์ดูดฝุ่นนอกประสงค์ (25) สามารถใช้งานร่วมกับเครื่องมือไฟฟ้าของบอชได้

อะแดปเตอร์ PowerTool (ชิ้นส่วนด้านหลัง) (37) สามารถใช้งานกับเครื่องมือไฟฟ้าจากผู้ผลิตรายอื่นๆ ที่มีเส้นผ่านศูนย์กลางดาดานใน 38.5 มม. และเส้นผ่านศูนย์กลางดาดานนอก 45 มม.

เสียบอะแดปเตอร์ PowerTool (ชิ้นส่วนด้านหน้า) (36) เข้ากับอะแดปเตอร์ PowerTool (ชิ้นส่วนด้านหลัง) (37) และเชื่อมต่อกับอะแดปเตอร์ทั้งสองตัวโดยการหมุนประกบในดาดานตรงข้ามกัน (รูปภาพประกอบ B)

เสียบอะแดปเตอร์ดูดฝุ่นนอกประสงค์ (25) เข้ากับท่อดูด (29) จนได้ยินเสียงปุ่มกดทั้งสอง (35) ของท่อดูดชนเขาล็อค

เมื่อต้องการถอดออก ให้กดปุ่มกด (35) เขาด้านในและดึงอะแดปเตอร์ดูดฝุ่นนอกประสงค์ออกจากท่อดูด หากต้องการถอดแยกอะแดปเตอร์สองส่วน ให้คลายจุดเชื่อมต่อโดยการหมุนไปดาดานตรงข้ามและดึงอะแดปเตอร์ออกจากกัน

การติดตั้งหัวแปรงนอกประสงค์

เสียบหัวแปรงนอกประสงค์ (24) เข้ากับท่อดูด (29) จนได้ยินเสียงปุ่มกดทั้งสอง (35) ของท่อดูดชนเขาล็อค

เมื่อต้องการถอดออก ให้กดปุ่มกด (35) เขาด้านในและดึงขึ้นส่วนออกจากกัน

การปรับหัวแปรงนอกประสงค์ (รูปภาพประกอบ C)

คุณสามารถใช้หัวแปรงนอกประสงค์ (24) เป็นหัวดูดตามซอกหรือเป็นแปรงได้

กดปุ่มปลดล็อค (38) แล้วเลื่อนแปรงไปทางด้านหน้า เพื่อใช้หัวแปรงนอกประสงค์ (24) ในรูปแบบแปรง

กดปุ่มปลดล็อค (38) แล้วเลื่อนแปรงไปทางด้านหลัง เพื่อใช้หัวแปรงนอกประสงค์ (24) ในรูปแบบหัวดูดตามซอก

การติดตั้งติดท่อดูด (รูปภาพประกอบ D)

จัดวางท่อดูด (29) เข้ากับส่วนเชื่อมต่อท่อ (3) และหมุนท่อดูดไปตามเข็มนาฬิกาจนสุด

หมายเหตุ: ในขณะที่ดูดฝุ่นจะมีไฟฟ้าสถิตในท่อดูดและอุปกรณ์ประกอบซึ่งเกิดจากการเสียดสีของฝุ่นละออง และผู้ใช้งานสามารถรู้สึกได้ในรูปแบบของการถ่ายเทประจุไฟฟ้าสถิต (ขึ้นอยู่กับสภาพแวดล้อมและการรับรูทางกายภาพ)

เมื่อดูดฝุ่นละเอียดและวัสดุแห้ง โดยปกติ บอช แนะนำให้ใช้ท่อดูดป้องกันไฟฟ้าสถิต (อุปกรณ์ประกอบ)

การยึดท่อดูดเข้ากับเครื่องดูดฝุ่น (รูปภาพประกอบ E)

หมุนท่อดูด (29) ที่ติดตั้งแล้วเข้าไปในช่องสำหรับท่อดูดติดตั้งถาวร (13) ทั้งสองแถบขึ้นดาดานบนแล้วเกี่ยวเขาในช่องยึด (14)

การใส่/ถอดถุงพลาสติก (การดูดฝุ่นแห้ง) (รูปภาพประกอบ F)

เปิดตัวล็อคทั้งสองด้าน (15) แล้วถอดส่วนบนของเครื่องดูดฝุ่น (12) ออก

สำหรับการดูดฝุ่นแห้ง ให้ใส่ถุงพลาสติก (32) เข้ากับถังบรรจุ (1)

วางถุงพลาสติก (32) ลงในถังบรรจุ (1) โดยจับช่องเปิดรับฝุ่นหันไปดาดานบน

ตรวจสอบให้แน่ใจว่าถุงพลาสติก (32) ได้วางทาบกับผนังด้านในถังบรรจุ (1) ทั้งหมด

พับส่วนที่เหลือของถุงพลาสติก (32) ไว้เหนือขอบถังบรรจุ (1) โดยตรวจสอบให้แนวขอบถุงพลาสติกอยู่บนขอบของถังบรรจุ และช่องอากาศผ่าน (33) ยังคงอยู่ภายในถังบรรจุ

จัดวางส่วนบนของเครื่องดูดฝุ่น (12) กลับเข้าที่และปิดล็อคเครื่องดูดฝุ่นโดยใช้ตัวล็อค (15)

- ▶ **ตรวจสอบให้แน่ใจว่าเครื่องดูดฝุ่นปิดล็อคแน่นแล้วเสมอ** ปิดล็อคถุงพลาสติกก่อนที่จะนำออกมา จับตัวถังยกขึ้นพร้อมกัน แล้วไขแถบรัดเพื่อผูกปากถุง

การใส่/ถอดถุงกรองผ้าฟลิซ (การดูดฝุ่นแห้ง) (รูปภาพประกอบ G-H)

สำหรับการดูดฝุ่นบนพื้นแห้งเพื่อคัดวัสดุตามประเภทฝุ่น L คุณสามารถใช้ถุงกรองผ้าฟลิซ (40) (อุปกรณ์เสริม) ได้

ในกรณีการคัดวัสดุที่มีหรือไม่มีค่าขีดจำกัดการรับสัมผัส ≥ 1 มก./ม.³ (ที่สอดคล้องกับฝุ่นประเภท L) คุณสามารถถอดวัสดุตั้งกวางลงในถังบรรจุได้โดยตรง

หมายเหตุ: โปรดปิดใช้งานการทำงานสะอาดตัวกรองโดยอัตโนมัติเมื่อใช้ถุงกรองผ้าฟลิซ (ดู "การทำงานสะอาดตัวกรองโดยอัตโนมัติ/ด้วยตนเอง (รูปภาพประกอบ M)", หน้า 80) ที่อยู่ด้านหน้าหรือด้านข้างสั้นๆ

คำเตือน

▶ **เครื่องดูดฝุ่นบรรจุฝุ่นที่เป็นอันตรายต่อสุขภาพ ให้ผู้เชี่ยวชาญทำการถ่ายลง และบำรุงรักษา รวมทั้งกำจัดถังเก็บฝุ่นเท่านั้น จำเป็นต้อง**

ข้อควรระวังที่ควรทราบ อย่าใช้งานเครื่องดูดฝุ่นโดยไม่มีระบบกรองที่ครบถ้วนและสมบูรณ์ มิฉะนั้นจะเกิดอันตรายต่อสุขภาพของท่าน

เปิดตัวล็อค (15) และถอดส่วนบนของเครื่องดูดฝุ่น (12) ออก

สำหรับการใส่ ให้เสียบถุงกรองผ้าฟลิซ (40) เข้ากับตัวยึดถุงกรองผ้าฟลิซ (39) แล้วจัดวางถุงกรองผ้าฟลิซ (40) พร้อมด้วยตัวยึดถุงกรองผ้าฟลิซ (39) เข้าในถังบรรจุ (1)

สำหรับการถอด ให้ปิดช่องที่ถุงกรองผ้าฟลิซที่บรรจุเต็มโดยการดึงตัวล็อคขึ้น ดึงถุงกรองผ้าฟลิซ (40) ที่ปิดล็อคแล้วออกจากตัวยึดถุงกรองผ้าฟลิซ (39) แล้วนำออกจากเครื่องดูดฝุ่น

จัดวางส่วนบนของเครื่องดูดฝุ่น (12) กลับเข้าที่ แล้วปิดตัวล็อค (15) เพื่อเชื่อมต่อถังบรรจุ (1) เข้ากับส่วนบนของเครื่องดูดฝุ่น (12)

การคลิกล็อกกล่อง L-Boxx (รูปภาพประกอบ I)

สำหรับการขนย้ายเครื่องดูดฝุ่นและการจัดเก็บอุปกรณ์เสริมของเครื่องดูดฝุ่นและ/หรือเครื่องมือไฟฟ้าแบบประหยัดพื้นที่ คุณสามารถใช้ระบบคลิกล็อกกล่อง L-Boxx เข้ากับส่วนบนของเครื่องดูดฝุ่นได้

ยึดท่อดูดเข้ากับเครื่องดูดฝุ่น (รูปภาพประกอบ E)

คลิกล็อก L-Boxx ลงบนตัวยึด (11)

▶ ห้ามดูดฝุ่นในขณะที่ฝากล่อง L-Boxx คลิกเปิดอยู่

เนื่องจากน้ำหนักศูนย์กลางของเครื่องดูดฝุ่นจะถ่ายขึ้นด้านบน เครื่องดูดฝุ่นอาจพลิกคว่ำได้ ซึ่งอาจก่อให้เกิดความเสียหายต่อการบาดเจ็บและการชำรุดเสียหาย

▶ ห้ามถือเครื่องดูดฝุ่นโดยใช้มือจับของกล่อง L-Boxx ที่คลิกเปิดอยู่ เนื่องจากน้ำหนักของเครื่องดูดฝุ่นอาจมากเกินไปสำหรับมือจับของกล่อง L-Boxx ซึ่งอาจก่อให้เกิดความเสียหายต่อการบาดเจ็บและการชำรุดเสียหาย

การติดตั้งโครงเลื่อนแบบยึดออกได้ (อุปกรณ์เสริม) (รูปภาพประกอบ J-K)

หมายเหตุ: โครงเลื่อนแบบยึดออกได้จะไม่สามารถถอดประกอบออกมา ขณะติดตั้งโปรดตรวจสอบว่าปรับโครงเลื่อนแบบยึดออกได้ให้อยู่ในแนวเดียวกันอย่างถูกต้อง

ปรับแนวของโครงเลื่อนแบบยึดออกได้ (42) ก่อนการใช้งาน โดยดูจากเครื่องหมาย R (ขวา) และ L (ซ้าย)

จัดวางโครงเลื่อนแบบยึดออกได้ (42) เข้าในรางเลื่อนปรับ (20)

กดโครงเลื่อนแบบยึดออกได้ (42) ลงด้านล่างจนสุดแนวขอบจนกระทั่งได้ยินเสียงล็อคเข้าที่

กดปุ่มกด (41) เพื่อปรับความยาวของโครงเลื่อนแบบยึดออกได้ (42)

การปฏิบัติงาน

▶ ถอดปลั๊กไฟออกจากเต้าเสียบก่อนบำรุงรักษาหรือทำความสะอาดเครื่องดูดฝุ่น ทำการปรับแต่งใดๆ ที่เครื่องเปลี่ยนอุปกรณ์ประกอบ หรือเก็บเครื่องดูดฝุ่นเข้าที่ มาตรการเพื่อความปลอดภัยนี้จะต้องป้องกันไม่ให้เครื่องดูดฝุ่นติดขึ้นโดยไม่ตั้งใจ

การเริ่มต้นปฏิบัติงาน

▶ **ให้สังเกตแรงดันไฟฟ้า!** แรงดันไฟฟ้าจากแหล่งจ่ายไฟฟ้าต้องมีค่าตรงกับค่าแรงดันไฟฟ้าที่ระบุไว้บนแผ่นป้ายพิกัดของเครื่องดูดฝุ่น

▶ **อ่านกฎระเบียบ/กฎหมายเกี่ยวกับการจัดการกับฝุ่นที่เป็นอันตรายต่อสุขภาพที่บังคับใช้ในประเทศของท่านอย่างละเอียด**

เครื่องดูดฝุ่นนี้เหมาะสำหรับดูดและนำออกวัสดุดังต่อไปนี้:

– ฝุ่นที่มีค่าขีดจำกัดการรับสัมผัส $> 1 \text{ mg/m}^3$

โดยหลักการแล้ว ต้องไม่ใช่เครื่องดูดฝุ่นในบริเวณที่อาจเกิดการระเบิดได้

เพื่อให้เครื่องดูดฝุ่นทำงานได้ประสิทธิภาพสูงสุด ต้องคลายท่อดูด (29) ทั้งหมดออกจากส่วนบนของเครื่องดูดฝุ่น (12) เสมอ

การปรับกำลังดูด

คุณสามารถใช้ตัวควบคุมกำลังในการดูด (9) เพื่อควบคุมกำลังดูดแบบไม่ต้องปรับตามระดับ

ปรับตัวควบคุมกำลังในการดูด (9) เพื่อให้กำลังดูดสูงสุดสำหรับใช้กับฝุ่นที่ก่อตัวหนา

ปรับตัวควบคุมกำลังในการดูด (9) ไปยังตำแหน่งที่ต่ำกว่าดูดลดลงสำหรับใช้กับฝุ่นที่ก่อตัวน้อย และเพื่อควบคุมแรงการดูดฝุ่นระหว่างเครื่องมือไฟฟ้าที่เชื่อมต่ออยู่และพื้นผิวของชิ้นงาน (เช่น เมื่อทำงานขัด)

เต้าเสียบที่เครื่องดูดฝุ่น

▶ โปรดคำนึงถึงโหลดเชื่อมต่อสูงสุดที่อนุญาตของเต้าเสียบที่เครื่องดูดฝุ่น การใช้โหลดเชื่อมต่อเกินค่าสูงสุดที่อนุญาตจะทำให้เครื่องดูดฝุ่นรับโหลดเกินกำลัง พิวสับป้องกันมอเตอร์จะถูกกระตุ้นให้ทำงาน โปรดส่งเครื่องดูดฝุ่นไปยังศูนย์บริการของ Bosch ที่ดำเนินการรับรอง

หากปลั๊กไฟของเครื่องดูดฝุ่นยังเสียบอยู่ในเต้าเสียบและสวิตช์หลักอยู่ในตำแหน่ง 1 เต้าเสียบสำหรับเครื่องมือไฟฟ้า (4) จะมีแรงดันไฟฟ้าไหลผ่าน จึงสามารถใช้เป็นแหล่งเชื่อมต่อกระแสไฟภายนอกที่เครื่องดูดฝุ่น เช่น ขณะทำงานโดยใช้ระบบดูดฝุ่น ในตำแหน่ง 1+ ระบบ Start/Stop อัตโนมัติของเครื่องดูดฝุ่นจะเปิดการทำงาน การเปิดใช้งานเครื่องดูดฝุ่นสามารถควบคุมจากระยะไกลผ่านเครื่องมือไฟฟ้าที่เชื่อมต่อ

การดูดแห้ง

การดูดฝุ่นที่สะสม



หากต้องการเปิดใช้งานเครื่องดูดฝุ่น ให้หมุนสวิตช์หลัก (2) ไปที่ตำแหน่ง 1



หากต้องการปิดใช้งานเครื่องดูดฝุ่น ให้หมุนสวิตช์หลัก (2) ไปที่ตำแหน่ง 0

การดูดฝุ่นที่เกิดจากการทำงานของเครื่องมือไฟฟ้า (ดูภาพประกอบ L)

▶ **เมื่อลมที่ปล่อยออกมาหมุนเวียนอยู่ในห้อง ในห้องจึงต้องมีอัตราภาวะระบายอากาศที่เพียงพอ ปฏิบัติตามกฎระเบียบที่เกี่ยวข้องของของประเทศ**

ในเครื่องดูดฝุ่นมีเตาเลียสำหรับเครื่องมือไฟฟ้า (4) ติดตั้งอยู่ คุณสามารถเชื่อมต่อกับเครื่องมือไฟฟ้าจากภายนอกที่เตาเลียนี้ โปรดคำนึงถึงโหลดเชื่อมต่อสูงสุดที่อนุญาตของเครื่องมือไฟฟ้าที่เชื่อมต่อ

โปรดติดตั้งอะแดปเตอร์ดูดฝุ่นอเนกประสงค์ (25) (ดูภาพประกอบ B)

เสียบอะแดปเตอร์ดูดฝุ่นอเนกประสงค์ (25) เข้าในซ็อกเก็ตดูดของเครื่องมือไฟฟ้า



สำหรับการเปิดใช้งานระบบ Start/Stop อัตโนมัติของเครื่องดูดฝุ่น ให้หมุนสวิตช์หลัก (2) ไปที่ตำแหน่ง 1+

หากต้องการเริ่มต้นใช้งานเครื่องดูดฝุ่น ให้เปิดสวิตช์เครื่องมือไฟฟ้าที่เชื่อมต่อกับเตาเลีย (4) เครื่องดูดฝุ่นจะสตาร์ทโดยอัตโนมัติ

ปิดสวิตช์เครื่องมือไฟฟ้าเพื่อการดูดฝุ่นจะได้ถึงสูงสุด ฟังก์ชันหน่วงเวลาของระบบ Start/Stop อัตโนมัติจะทำงานต่อไปจนกระทั่งครบ 15 วินาที ทั้งนี้เพื่อดูดฝุ่นที่ตกค้างอยู่ออกไปจากท่อดูด



หากต้องการปิดใช้งานเครื่องดูดฝุ่น ให้หมุนสวิตช์หลัก (2) ไปที่ตำแหน่ง 0

การใช้งานระบบดูดฝุ่น (อุปกรณ์เสริม)



เชื่อมต่อระบบดูดฝุ่นเข้ากับท่อดูด (29) สำหรับการดูดฝุ่นโดยใช้ระบบดูดฝุ่น ให้หมุนสวิตช์หลัก (2) ไปที่ตำแหน่ง 1

ถือระบบดูดฝุ่นไว้ที่ผนัง แล้วเปิดใช้งานเครื่องมือไฟฟ้า ความดันสูญญากาศที่เกิดขึ้นจะทำให้ระบบดูดฝุ่นยึดติดโดยอัตโนมัติ

ปิดใช้งานเครื่องมือไฟฟ้า แล้วนำระบบดูดฝุ่นออกจากผนังอย่างระมัดระวัง



หากต้องการปิดใช้งานเครื่องดูดฝุ่น ให้หมุนสวิตช์หลัก (2) ไปที่ตำแหน่ง 0

การดูดเบี่ยง

▶ **อย่าใช้เครื่องดูดฝุ่นเพื่อดูดของเหลวที่ไวไฟหรือระเบิดได้ ตัวอย่าง เช่น เบนซิน น้ำมัน แอลกอฮอล์ ตัวทำละลาย อากาศฝุ่นที่ร้อน ลูกไหม หรือระเบิดได้ อย่าใช้เครื่องดูดฝุ่นทำงานในบริเวณที่อาจเกิดระเบิดได้ ฝุ่น โอรเซย หรือของเหลวอาจลุกเป็นไฟหรือระเบิดได้**

▶ **ห้ามใช้เครื่องดูดฝุ่นเป็นเครื่องมือปั้มน้ำเด็ดขาด เครื่องดูดฝุ่นนี้ใช้สำหรับดูดลมผสมน้ำ**

หมายเหตุ: ข้อกำหนดสำหรับระดับการป้องกันน้ำและฝุ่น (ฝุ่นประเภท L) ได้รับการพิสูจน์เฉพาะสำหรับการดูดแห้งเท่านั้น

ก่อนการดูดเบี่ยง

ถ่ายภาพบรรจุ (1) แล้วถอดถุงพลาสติก (32) หรือถุงกรองผ้าฟลิซ (40)

ตรวจสอบเช็คสิ่งสกปรกในบริเวณเซ็นเซอร์ปริมาณบรรจุ (45) ระบบจะสามารถปิดการทำงานของเครื่องดูดฝุ่นโดยอัตโนมัติเมื่อถึงบรรจุที่มีปริมาณเต็มได้ต่อเมื่อเซ็นเซอร์ไม่มีคราบสกปรก (ดู "การทำความสะอาดเซ็นเซอร์ปริมาณบรรจุ (ดูภาพประกอบ Q-R)", หน้า 82) ที่อยู่ด้านหน้าหรือด้านข้างอื่นๆ

▶ **ในขณะที่ดูดฝุ่นเบี่ยง จำเป็นต้องปิดใช้งานการทำงานสะอาดตัวกรองโดยอัตโนมัติ**

กดปุ่มทำความสะอาดตัวกรองโดยอัตโนมัติ (8) เพื่อเปิดใช้งานการทำงานสะอาดตัวกรองด้วยตนเอง (ดู "การทำความสะอาดตัวกรองโดยอัตโนมัติจะถูกปิดใช้งานและไฟแสดงผล LED A (5) จะดับลง

การดูดของเหลว

คำเตือน

ปิดสวิตช์เครื่องดูด

ฝุ่นในทันทีที่มีพองหรือน้ำไหลออกมา

และให้ถ่ายภาพบรรจุ มิฉะนั้นเครื่องดูดฝุ่นอาจชำรุดได้

หากต้องการเปิดใช้งานเครื่องดูดฝุ่น ให้หมุนสวิตช์หลัก (2) ไปที่ตำแหน่ง 1

เครื่องดูดฝุ่นมีเซ็นเซอร์ปริมาณบรรจุ (45) ติดตั้งอยู่ หากถึงระดับปริมาณสูงสุด เครื่องดูดฝุ่นจะปิดการทำงานโดยอัตโนมัติ และไฟแสดงผล LED A (5) และ M (6) ทั้งสองตัวจะกะพริบพร้อมกัน 1 ครั้งต่อวินาที ระบบป้องกันการกลับมาเดินเครื่องจะเปิดการทำงาน และสามารถปิดใช้งานได้เมื่อกดสวิตช์เปิด/ปิดเครื่องดูดฝุ่น 1 ครั้ง

หมายเหตุ: โปรดตรวจสอบปริมาณบรรจุเป็นประจำและถ่ายภาพบรรจุตามเวลาที่กำหนด

หากต้องการปิดใช้งานเครื่องดูดฝุ่น ให้หมุนสวิตช์หลัก (2) ไปที่ตำแหน่ง 0

จับถังบรรจุ (1) ในบริเวณจับยึดด้านหลัง (21) แล้วพลิกเพื่อเทของเหลวออกมาทางด้านหน้า

หลังจากดูดฝุ่นแบบเบี่ยง

ทุกครั้งหลังจากการดูดฝุ่นเบี่ยง ให้ทำความสะอาดเซ็นเซอร์ปริมาณบรรจุ (45) (ดู "การทำความสะอาดเซ็นเซอร์ปริมาณบรรจุ (ดูภาพประกอบ Q-R)", หน้า 82)

เพื่อป้องกันไม่ให้เกิดการก่อตัวของการดูดเบี่ยง:

- นำตัวกรองแบบจับเรียบ (34) ออกมา แล้วปล่อยให้แห้งสนิท
- ถอดส่วนบนของเครื่องดูดฝุ่น (12) เปิดฝาครอบชุดกรอง (43) แล้วปล่อยให้แห้งสองส่วนแห้งสนิท

การทำความสะอาดตัวกรองโดยอัตโนมัติ/ด้วยตนเอง (ดูภาพประกอบ M)

การทำความสะอาดตัวกรองโดยอัตโนมัติ

หมายเหตุ: การทำความสะอาดตัวกรองโดยอัตโนมัติจะถูกกำหนดไว้แล้วตามการตั้งค่ามาตรฐานเมื่อเปิดใช้งานเครื่องดูดฝุ่น

ไฟแสดงผล LED A (5) จะติดสว่างอย่างต่อเนื่อง

เมื่อใช้การทำความสะอาดตัวกรองโดยอัตโนมัติ ตัวกรองแบบจับเรียบ (34) จะได้รับการทำความสะอาดทุก 15 วินาทีด้วยลมเป่า 2 ครั้ง (มีเสียงดังเบ่งดังหวั่น)

การใช้ระบบทำความสะอาดตัวกรองนี้เป็นประจำจะช่วยยืดอายุการใช้งานของตัวกรอง

เพื่อให้สามารถใช้งานตัวกรองได้อย่างยาวนานที่สุด โปรดปิดใช้งานการทำความสะอาดตัวกรองโดยอัตโนมัติในกรณียกเว้นเท่านั้น เช่น การดูดฝุ่นแบบเปียก

การทำความสะอาดตัวกรองด้วยตนเอง

กดปุ่มทำความสะอาดตัวกรองด้วยตนเอง (7) เพื่อเปิดใช้งานการทำความสะอาดตัวกรองด้วยตนเอง ตัวกรองแบบจับเรียบ (34) จะได้รับการทำความสะอาดด้วยลมเป่า 2 ครั้ง ไฟแสดงผล LED M (6) จะติดสว่างเป็นสีเขียว 2 วินาที เมื่อไฟแสดงผล LED M (6) ดับลง คุณจะสามารเปิดโซลนมเป่าครั้งถัดไปได้ โดยกดปุ่มทำความสะอาดตัวกรองด้วยตนเอง (7) อีกครั้ง

หมายเหตุ: เมื่อใช้การทำความสะอาดตัวกรองด้วยตนเอง ควรเว้นระยะการทำความสะอาดระหว่างกดปุ่มแต่ละครั้งเป็นเวลา 2-3 วินาที การกดปุ่มทำความสะอาดตัวกรองด้วยตนเอง (7) อย่างต่อเนื่องหลายครั้งอาจทำให้ระบบป้องกันความร้อนสูงเกินของเครื่องดูดฝุ่นถูกเปิดใช้งาน ระบบป้องกันความร้อนสูงเกินจะถูกปิดใช้งานโดยอัตโนมัติเมื่อเวลาผ่านไป (ดู "การแก้ไขความขัดข้อง", หน้า 82)

หากต้องการปิดใช้งานการทำความสะอาดตัวกรองด้วยตนเอง ให้กดปุ่มทำความสะอาดตัวกรองโดยอัตโนมัติ (8)

ตัวกรองแบบจับเรียบที่มีสิ่งสกปรกติดอยู่บนพื้นผิวสามารถทำงานได้เต็มประสิทธิภาพ การใช้มีดเคาะตัวกรองแบบจับหรือการเป่าเพื่อทำความสะอาดจึงไม่จำเป็น และอาจทำให้ตัวกรองเสียหายด้วยซ้ำ

การบำรุงรักษาและการบริการ

การบำรุงรักษาและการทำความสะอาด

▶ **ถอดปลั๊กไฟ** ออกจากเต้าเสียบก่อนบำรุงรักษาหรือทำความสะอาดเครื่องดูดฝุ่น ทำการปรับแต่งใดๆ ที่เครื่องเปลี่ยนอุปกรณ์ประกอบ หรือเก็บเครื่องดูดฝุ่นเข้าที่มาตรการเพื่อความปลอดภัยนี้จะป้องกันไม่ให้เครื่องดูดฝุ่นติดขึ้นโดยไม่ตั้งใจ

▶ **รักษาเครื่องดูดฝุ่นและช่องระบายอากาศให้สะอาดเพื่อจะ** ได้ทำงานได้อย่างปลอดภัยและมีประสิทธิภาพ

หากจำเป็นต้องเปลี่ยนสายไฟฟ้า ต้องส่งเครื่องให้ Bosch หรือศูนย์บริการหลังการขายที่ได้รับมอบหมายสำหรับเครื่องมือไฟฟ้า Bosch เปลี่ยนให้ ทั้งนี้เพื่อหลีกเลี่ยงอันตราย

▶ **สวมหมวกกันน็อก** เมื่อบำรุงรักษาและทำความสะอาดเครื่องดูดฝุ่น

ทำความสะอาดตัวเครื่องดูดฝุ่นเป็นครั้งคราวด้วยผ้าชุบน้ำหมาด ๆ

▶ **ห้ามทำความสะอาดเครื่องดูดฝุ่นโดยใช้อัต** เนื่องจากอาจทำให้เกิดการช็อตหรือส่วนประกอบอื่นๆ ชำรุดเสียหายได้ เครื่องดูดฝุ่นต้องได้รับการตรวจสอบทางเทคนิคเกี่ยวกับระบบดูดฝุ่นอย่างน้อยปีละครั้ง ซึ่งดำเนินการโดยบริษัทผู้ผลิตหรือบุคคลผู้ได้รับคำแนะนำ (เช่น ตรวจสอบเช็คความชำรุดเสียหาย

ของตัวกรอง การรั่วไหลที่ตัวเครื่อง และการทำงานอย่างมีประสิทธิภาพของอุปกรณ์ควบคุมต่างๆ)

การทำความสะอาดและการบำรุงรักษาหลังการดูดฝุ่นซึ่งมีสารที่เป็นอันตรายต่อสุขภาพ

- โปรดคำนึงว่าชิ้นส่วนทั้งหมดที่สัมผัสถูกสารที่เป็นอันตรายต่อสุขภาพถือเป็นชิ้นส่วนที่มีการปนเปื้อน
- ให้ทำการดูดฝุ่น บัด และหุ้มปิดตันอกเครื่องดูดฝุ่นให้ทั่วก่อนนำออกจากบริเวณซึ่งมีสารที่เป็นอันตรายต่อสุขภาพ
- ทำความสะอาด ถอด และบำรุงรักษาเครื่องดูดฝุ่นต่อเมื่อการดำเนินการดังกล่าวไม่ก่อให้เกิดอันตรายต่อคุณและบุคคลอื่นๆ สวมใส่อุปกรณ์ป้องกันร่างกายขณะบำรุงรักษาและทำความสะอาดเครื่อง โดยดำเนินการดังกล่าวเมื่ออยู่ในห้องที่มีอากาศถ่ายเทได้ดี
- ทำความสะอาดด้านนอกเครื่องดูดฝุ่นเป็นขั้นตอนแรกก่อนที่จะทำการถอดประกอบ
- กำจัดชิ้นส่วนทุกชิ้นของเครื่องดูดฝุ่นที่ไม่สามารถทำความสะอาดให้โดยผลเป็นที่น่าพอใจ โดยทิ้งในถังที่มีคุณสมบัติกันการรั่วซึม ทั้งนี้ให้ปฏิบัติตามข้อกำหนดที่มีผลบังคับใช้สำหรับการกำจัดขยะประเภทดังกล่าว
- ทำความสะอาดบริเวณบำรุงรักษาหลังเสร็จสิ้นการทำงานดังกล่าว

การทำความสะอาดถังบรรจุ

เช็ดถังบรรจุ (1) ให้สะอาดเป็นครั้งคราวด้วยสารทำความสะอาดที่ไม่ทำให้เกิดรอยขีดข่วนที่มีจำหน่ายทั่วไป และปล่อยให้แห้ง

การทำความสะอาด/การเปลี่ยนตัวกรองแบบจับเรียบ (ดูภาพประกอบ N-O)

▶ **ขณะเปิดฝาคอครอบชุดกรอง ให้จับที่ส่วนสลักล็อคของฝาคอครอบ และตรวจสอบว่าฝาคอครอบชุดกรองที่เปิดออกแล้วล็อคเข้าที่ในตำแหน่งที่ตั้งตรง** ฝาคอครอบชุดกรองที่หล่นลงมาอาจก่อให้เกิดความเสี่ยงต่อการบาดเจ็บได้

ประสิทธิภาพในชุดขึ้นอยู่กับสภาพของตัวกรอง คุณจึงควรทำความสะอาดตัวกรองอย่างสม่ำเสมอ

เปลี่ยนตัวกรองแบบจับเรียบ (34) ที่ชำรุดโดยทันที

- ดึงที่สลักล็อค (26) แล้วพลิกฝาคอครอบชุดกรอง (43) ขึ้นตามบนจนกระทั่งเข้าล็อคในตำแหน่งที่ตั้งตรง
- จับตัวกรองแบบจับเรียบ (34) ที่แฉก แล้วนำตัวกรองออกมาทางด้านบน
- กำจัดฝุ่นละอองและสิ่งสกปรกที่ตกลงมาในขณะที่ถอดตัวกรองแบบจับเรียบ (34) โดยใช้ผ้าเปียกเช็ดบริเวณขอบของถังบรรจุ (1)
- ตัวกรองแบบจับเรียบสามารถล้างทำความสะอาดได้โดยเปิดน้ำไหลผ่าน
- ใส่ตัวกรองแบบจับเรียบชุดใหม่หรือที่ทำความสะอาดแล้ว (34) เข้าไป แล้วตรวจสอบว่ายึดเข้าที่ในตำแหน่งที่ถูกต้อง
- ปิดฝาคอครอบชุดกรอง (43) จนกระทั่งได้ยินเสียงล็อคเข้าที่

การทำความสะอาดตัวกรองชั้นต้น (ดูภาพประกอบ P)

- ▶ **ตัวกรองชั้นต้นไม่สามารถทำความสะอาดแบบเปียกได้**
- ▶ **ห้ามเอื้อมมือจากด้านบนเข้าไประหว่างโครงเลื่อนแบบยึดออกไคและเครื่องดูดฝุ่นเพื่อปลดล็อคฝาคอครอบชุดกรองชั้นต้น** มิฉะนั้นอาจทำให้มือของคุณเข้าไปติดในบริเวณดังกล่าว

ดึงโครงเลื่อนแบบยืดออกได้ (42) ขึ้นด้านบนจนกระทั่งฝาครอบชุดกรองชั้นต้นสามารถเข้าถึงได้อย่างอิสระจากด้านหลัง

กดปุ่มปลดล๊อค (28) ของฝาครอบชุดกรองชั้นต้น (27) แล้วนำตัวกรองชั้นต้นออกจากช่องเก็บ

นำตัวกรองชั้นต้น (44) ออกมา

บิดทำความสะอาดครึ่งของตัวกรองชั้นต้นโดยใช้แปรงขนนุ่ม ลอดตัวกรองชั้นต้นเข้าไปในฝาครอบชุดกรองชั้นต้น (27) ใส่ฝาครอบชุดกรองชั้นต้น (27) เข้าไปในช่องเก็บตัวกรองชั้นต้น แล้วพับเขาไป

การทำความสะอาดเซ็นเซอร์ปริมาณบรรจุ (รูปภาพประกอบ Q-R)

ดึงปลั๊กไฟของเครื่องดูดฝุ่นออกจากเต้าเสียบ

ถอดส่วนบนของเครื่องดูดฝุ่น (12)

ถ่ายถังบรรจุ (1)

ขยับลูกลอย (46) หรือเคาะเบาๆ เพื่อจัดตั้งสปริงออก

ทำความสะอาดลูกลอย (46) โดยใช้ผ้านุ่ม

คุณยังสามารถถอดลูกลอยออกมาได้ตามต้องการ โดยกดที่ตัวล๊อค (47) แล้วนำลูกลอย (46) ออกมา

ทำความสะอาดแม่เหล็ก (48) โดยใช้แปรง

ใส่ลูกลอย (46) กลับเข้าไปอีกครั้ง

การจัดเก็บและการขนย้าย

- ม้วนสายไฟฟารอบที่ม้วนเก็บสายไฟฟ้า (19)
- เสียบอุปกรณ์เสริมเข้าไปในตัวยึดที่กำหนดให้ใช้อุปกรณ์นั้นๆ

- หมุนท่อดูด (29) ที่ติดตั้งแล้วเข้าไปในช่องสำหรับท่อดูด ดึงแถบยึด (13) ทั้งสองแถบขึ้นด้านบนแล้วเกี่ยวเขาในช่องยึด
- คลิ๊กกล่อง L-BOXX ลงบนตัวยึด (11)
- นำถุงพลาสติก/ถุงกรองผ้าฟลีซออกมาทันทีที่บรรจุเต็ม
- ถือหรือหัวเครื่องดูดฝุ่นโดยจับตรงตามถือ (10) เท่านั้น
- เก็บเครื่องดูดฝุ่นในท้องที่แห้งและมีพื้นเรียบ และป้องกันการนำออกมาใช้โดยไม่ได้รับอนุญาต
- ล้อคลอลเลื่อน (17) โดยเหยียบเบรกล้อเลื่อน (18) ลง
- เพื่อการขนย้ายเครื่องดูดฝุ่นได้อย่างสะดวกและถนอมบริเวณหลัง ให้ถายถุงบรรจุให้เรียบร้อยและก่าจัดทิ้งถุงพลาสติก/ถุงกรองผ้าฟลีซที่บรรจุเต็ม
- ปลดล๊อคเบรกล้อเลื่อน (18) เพื่อเลื่อนหรือลากเครื่องดูดฝุ่น
- ใช้โครงเลื่อนแบบยืดออกได้ (42) เท่านั้นในการเลื่อนหรือลากเครื่องดูดฝุ่น ห้ามลากเครื่องดูดฝุ่นโดยใช้โครงเลื่อนแบบยืดออกบนพื้นที่เป็นขรุขระ ในกรณีดังกล่าวให้ใช้ตามถือนแทน
- ขณะถือเครื่องดูดฝุ่นขึ้นบันได ให้ตรวจดูว่าไม่มีบุคคลอื่นได้อยู่ด้านหลัง ทั้งนี้เพื่อป้องกันในกรณีที่เครื่องดูดฝุ่นหล่นลงมาโดยไม่คาดคิด

การแก้ไขความขัดข้อง

- ▶ หากเกิดความผิดปกติขึ้น (ดู ย. เช่น ตัวกรองเสียหาย) ต้องปิดสวิทช์เครื่องดูดฝุ่นทันที ต้องแก้ไขความผิดปกติ ก่อนเริ่มทำงานต่อไป

ปัญหา	มาตรการแก้ไข
เทอร์โมสตัตไม่เริ่มทำงาน	ตรวจสอบสายไฟฟ้า ปลั๊กไฟ พิวส์ เต้าเสียบ และเซ็นเซอร์ปริมาณบรรจุ (45) สวิทช์หลัก (2) อยู่ที่ "Start/Stop อัตโนมัติ" สับสวิทช์หลัก (2) ไปที่สัญลักษณ์ "ระบบดูดฝุ่น" หรือเปิดใช้งานเครื่องมือไฟฟ้าที่เชื่อมต่อกับเต้าเสียบ (4)
กังหันดูดปิดสวิทช์	ขณะดูดฝุ่นเบี่ยง โฟแสดงผล LED A และ M กะพริบซ้ำๆ พร้อมกัน ถ่ายถังบรรจุ (1) ขณะดูดฝุ่นแห่ง โฟแสดงผล LED A และ M กะพริบเร็วพร้อมกัน: ระบบป้องกันการใช้งานเกินพิกัดของเต้าเสียบเปิดการทำงาน ปิดใช้งานเครื่องมือไฟฟ้า
เครื่องดูดฝุ่นปิดการทำงาน	เกิดการดำเนินงานเกินพิกัดของเครื่องดูดฝุ่นจากแรงดันไฟฟ้าที่ถึงระดับสูงสุดของเต้าเสียบที่เครื่องดูดฝุ่น: พิวส์ป้องกันมอเตอร์ถูกกระตุ่นให้ทำงาน โปรดส่งเครื่องดูดฝุ่นไปยังศูนย์บริการของ Bosch ที่ผ่านการรับรอง
เทอร์โมสตัตไม่เริ่มทำงานอีกครั้งหลังจากถ่ายถังบรรจุแล้ว	ปิดสวิทช์เครื่องดูดฝุ่นและรอ 5 วินาที หลังจาก 5 วินาทีให้เปิดสวิทช์อีกครั้ง ทำความสะอาดเซ็นเซอร์ปริมาณบรรจุ (45) รวมทั้งพื้นที่ระหว่างเซ็นเซอร์ปริมาณบรรจุ (45) โดยใช้แปรง
พลังดูดลดลง	นำเอาสิ่งอุดตันออกจากหัวดูด ท่อดูดแข็ง ท่อดูด (29) หรือตัวกรองแบบจับเรียบ (34) เปลี่ยนถุงพลาสติก (32)/ถุงกรองผ้าฟลีซ (40) จัดวางฝาครอบชุดกรอง (43) ให้เขาล็อคอย่างถูกต้อง สวมส่วนบนของเครื่องดูดฝุ่น (12) ให้ถูกต้องและปิดตัวล๊อค (15)

ปัญหา	มาตรการแก้ไข
เปลี่ยนตัวกรองแบบจับเรียบ (34)	
ฝุ่นลุดออกมากขณะดูด	ตรวจสอบว่าติดตั้งตัวกรองแบบจับเรียบ (34) อย่างถูกต้อง เปลี่ยนตัวกรองแบบจับเรียบ (34)
ระบบปิดสวิตช์อัตโนมัติ (การดูดเปียก) ไม่ตอบสนอง	ทำความสะอาดเซ็นเซอร์ปริมาณบรรจุ (45) รวมทั้งพื้นที่ระหว่างเซ็นเซอร์ปริมาณบรรจุ (45) โดยไขแปรง ตรวจสอบระดับเติมตลอดเวลา
ระบบทำความสะอาดตัวกรองอัตโนมัติไม่ทำงาน	เปลี่ยนเข้าสู่อัตโนมัติโดยกดที่ปุ่มทำความสะอาดตัวกรองด้วยตนเอง (7). หากยังคงเกิดปัญหาเดิมอยู่ ให้ติดต่อศูนย์บริการลูกค้าที่ได้รับอนุญาตจาก Bosch
การทำความสะอาดตัวกรองด้วยตนเองไม่เริ่มการทำงาน	ระบบป้องกันความร้อนสูงเกินของเครื่องดูดฝุ่นถูกเปิดใช้งาน การกดปุ่มทำความสะอาดตัวกรองด้วยตนเอง (7) อย่างต่อเนื่อง 10 ครั้งกระตุ้นให้ระบบป้องกันความร้อนสูงเกินเปิดการทำงาน ระบบป้องกันความร้อนสูงเกินจะถูกปิดใช้งานโดยอัตโนมัติหลังจากผ่านไป 20 วินาที การกดปุ่มทำความสะอาดตัวกรองด้วยตนเอง (7) อย่างต่อเนื่อง 30 ครั้งกระตุ้นให้ระบบป้องกันความร้อนสูงเกินเปิดการทำงาน ระบบป้องกันความร้อนสูงเกินจะถูกปิดใช้งานโดยอัตโนมัติหลังจากผ่านไป 4 นาที หากยังคงเกิดปัญหาเดิมอยู่ ให้ติดต่อศูนย์บริการลูกค้าที่ได้รับอนุญาตจาก Bosch
การทำความสะอาดตัวกรองโดยอัตโนมัติไม่เริ่มการทำงาน	โปรดติดต่อศูนย์บริการลูกค้าที่ได้รับอนุญาตจาก Bosch

การบริการหลังการขายและการให้คำปรึกษาการใช้

ศูนย์บริการหลังการขายของเรายินดีตอบคำถามของท่านที่เกี่ยวกับการบำรุงรักษาและการซ่อมแซมผลิตภัณฑ์รวมทั้งเรื่องอะไหล่ ภาพเขียนแบบการประกอบและข้อมูลเกี่ยวกับอะไหล่ กรุณาดูใน: www.bosch-pt.com ที่มุงานที่ปรึกษาของ บอช ยินดีให้ข้อมูลเกี่ยวกับผลิตภัณฑ์ของเราและอุปกรณ์ประกอบต่างๆ
เมื่อต้องการสอบถามและสั่งซื้ออะไหล่ กรุณาแจ้งหมายเลขสินค้า 10 หลักบนแผนป้ายรุ่นของผลิตภัณฑ์ทุกครั้ง

ไทย

ไทย บริษัท โรเบิร์ต บอช จำกัด
เอฟวายไอ เซ็นเตอร์ อาคาร 1 ชั้น 5
เลขที่ 2525 ถนนพระราม 4
แขวงคลองเตย เขตคลองเตย กรุงเทพฯ 10110
โทร: +66 2012 8888
แฟกซ์: +66 2064 5800
www.bosch.co.th

ศูนย์บริการซ่อมและฝึกอบรม บอช
อาคาร ลาซาลทาวเวอร์ ชั้น G ห้องเลขที่ 2
บ้านเลขที่ 10/11 หมู่ 16
ถนนศรีนครินทร์ ตำบลบางแก้ว อำเภอบางพลี
จังหวัดสมุทรปราการ 10540
ประเทศไทย
โทรศัพท์ 02 7587555
โทรสาร 02 7587525

สามารถดูที่อยู่ศูนย์บริการอื่นๆ ได้ที่:

www.bosch-pt.com/serviceaddresses

การกำจัดขยะ

เครื่องดูดฝุ่น อุปกรณ์ประกอบ และที่บ่อ ต้องนำไปแยกประเภทวัสดุเพื่อนำกลับมาใช้ใหม่โดยไม่ทำลายสภาพแวดล้อม



อย่าทิ้งเครื่องดูดฝุ่นลงในขยะบ้าน!

Bahasa Indonesia

Petunjuk Keselamatan untuk Alat Pengisap



Bacalah semua petunjuk keselamatan dan petunjuk penggunaan. Kesalahan dalam menjalankan petunjuk keselamatan dan petunjuk penggunaan dapat mengakibatkan kontak listrik, kebakaran dan/atau luka-luka yang berat.

Simpan semua peringatan dan petunjuk kerja untuk keperluan di waktu yang akan datang.

► Alat pengisap ini tidak dirancang untuk digunakan oleh anak-anak dan orang yang memiliki keterbatasan fisik, mental atau

sensorik, atau kurangnya pengalaman dan pengetahuan.

Jika tidak, hal tersebut dapat menimbulkan risiko kesalahan pengoperasian dan menyebabkan cedera.

- ▶ **Awasi anak Anda.** Dengan demikian, Anda dapat memastikan anak-anak tidak bermain dengan alat pengisap.

- ▶ Patuhi semua peraturan keselamatan untuk zat yang akan diisap.
- ▶ Jangan digunakan untuk mengisap serpihan kayu beech atau kayu oak, kerikil, atau asbes. Bahan-bahan tersebut termasuk zat karsinogenik.

⚠ PERINGATAN Gunakan alat pengisap hanya jika Anda telah memiliki informasi

yang cukup mengenai penggunaan alat pengisap, material yang diisap, dan pembuangan yang aman. Mengikuti instruksi dengan hati-hati dapat mengurangi kesalahan pengoperasian dan cedera.

- ▶ **⚠ PERINGATAN** Alat pengisap cocok digunakan untuk membersihkan material yang kering dan juga untuk membersihkan cairan dengan tahapan yang sesuai. Masuknya cairan ke dalam alat dapat meningkatkan risiko sengatan listrik.

- ▶ Jangan gunakan alat pengisap untuk mengisap cairan yang mudah terbakar dan dapat meledak, misalnya bensin, oli, alkohol, zat pelarut. Jangan mengisap debu panas, debu yang terbakar atau eksplosif. Jangan mengoperasikan alat pengisap di ruangan yang dapat memicu ledakan. Debu, uap, atau cairan dapat terbakar atau meledak.

- ▶ **⚠ PERINGATAN** Gunakan stopkontak hanya untuk tujuan yang telah ditentukan pada panduan pengoperasian.

- ▶ **⚠ PERINGATAN** Segera matikan alat pengisap jika terdapat busa atau air yang keluar dan kosongkan wadahnya. Jika tidak, alat pengisap dapat rusak.

- ▶ **PERHATIAN!** Alat pengisap hanya boleh disimpan di dalam ruangan.
- ▶ **PERHATIAN!** Bersihkan sensor level cairan secara teratur dan periksa apakah terdapat kerusakan. Fungsi dapat terganggu jika terdapat kerusakan.
- ▶ Jika penggunaan alat pengisap di tempat yang basah tidak dapat dihindarkan, gunakanlah pemutus sirkuit arus. Penggunaan pemutus sirkuit arus mengurangi risiko terjadinya kontak listrik.
- ▶ Periksa alat pengisap, kabel, dan plug setiap sebelum digunakan. Jangan menggunakan alat pengisap jika

terdapat kerusakan. Jangan membuka alat pengisap sendiri dan serahkan hal tersebut pada petugas resmi dan lakukan perbaikan hanya menggunakan suku cadang asli. Alat pengisap, kabel, dan steker yang rusak menambah risiko terjadinya kontak listrik.

- ▶ Kabel jangan sampai tertarik. Jangan menarik kabel saat akan melepas plug dari stopkontak atau menggerakkan alat pengisap. Kabel yang rusak membuat risiko terjadinya kontak listrik menjadi lebih besar.
- ▶ Selalu lepas steker dari stopkontak sebelum melakukan perawatan atau pembersihan, melakukan penyetulan, mengganti bagian aksesoris, atau meletakkan alat pengisap. Tindakan pencegahan ini dilakukan untuk menghindari penyalaan alat pengisap yang tidak diinginkan.
- ▶ Upayakanlah agar ada pertukaran udara di tempat kerja.
- ▶ Serahkan perbaikan alat pengisap hanya pada petugas resmi dengan menggunakan suku cadang asli. Dengan demikian, keselamatan kerja dengan alat pengisap selalu terjamin.

- ▶ **⚠ PERINGATAN** Alat pengisap berisi debu yang berisiko bagi kesehatan. Lakukan proses pengosongan, perawatan, pembersihan kontainer debu hanya oleh orang yang ahli. Diperlukan peralatan keselamatan yang sesuai. Jangan mengoperasikan alat pengisap tanpa sistem penyaring yang lengkap dan terpasang dengan cermat. Jika tidak, hal tersebut dapat membahayakan kesehatan.

- ▶ Periksa kondisi slang pengisap yang sesuai sebelum memulai pengoperasian awal. Selain itu, biarkan slang pengisap terpasang pada alat agar debu tidak keluar. Jika tidak, bisa jadi Anda menghirup debu.
- ▶ Jangan menggunakan alat pengisap sebagai tempat duduk. Alat pengisap dapat rusak jika diduduki.
- ▶ Gunakan kabel daya dan slang pengisap dengan hati-hati. Anda dapat membahayakan orang lain dengan benda tersebut.
- ▶ Jangan membersihkan alat pengisap di bawah air yang mengalir langsung. Air yang masuk ke bagian atas alat pengisap dapat menimbulkan risiko terjadinya kontak listrik.
- ▶ Sambungkan alat pengisap ke suplai daya yang di-grounding dengan benar. Stopkontak dan kabel ekstensi harus memiliki konduktor pelindung yang berfungsi.
- ▶ Jangan gunakan stopkontak pada alat pengisap saat melakukan pengisapan basah atau di lingkungan yang basah. Sentuhan dengan air dapat menimbulkan risiko korsleting atau sengatan listrik.

Simbol-simbol

Simbol-simbol berikut dapat sangat membantu Anda selama penggunaan alat pengisap. Pelajari dan ingat simbol-simbol berikut beserta maknanya. Penafsiran yang benar dari

simbol-simbol ini dapat membantu Anda untuk menggunakan alat pengisap dengan aman dan lebih baik.

Simbol dan artinya



PERINGATAN! Bacalah semua instruksi dan petunjuk keselamatan. Kelalaian yang dikarenakan tidak mengikuti instruksi dan petunjuk keselamatan dengan benar dapat menyebabkan sengatan listrik, kebakaran dan/atau cedera serius.



Alat pengisap kategori debu L sesuai IEC/EN 60335-2-69 untuk **pengisapan kering** pada debu yang membahayakan kesehatan dengan nilai batas eksposur > 1 mg/m³



PERINGATAN! Alat pengisap berisi debu yang berisiko bagi kesehatan. Hanya lakukan proses pengosongan dan perawatan, termasuk pembersihan kontainer debu oleh orang yang ahli. Diperlukan peralatan keselamatan yang sesuai. Jangan mengoperasikan alat pengisap tanpa sistem filter yang lengkap dan terpasang dengan benar. Jika tidak, hal tersebut dapat membahayakan kesehatan.



**max. 1 L-Boxx
max. 15 kg**

Hanya klik maksimal satu L-BOXX.

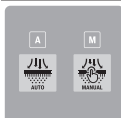
Berat L-BOXX beserta isinya tidak boleh melebihi 15 kg.



Jangan gantung alat pengisap pada pengait derek, misalnya untuk pengangkutan. Alat pengisap tidak dapat dikerek. Terdapat risiko cedera dan kerusakan.



Jangan menggunakan alat pengisap sebagai tempat duduk, tangga, atau pijakan. Alat pengisap dapat terbalik dan menjadi rusak. Terdapat risiko cedera.



A

A

Simbol dan artinya

Indikator LED Mode pembersihan filter otomatis

M

M

Indikator LED Mode pembersihan filter manual



Tombol pembersihan filter otomatis



Tombol pembersihan filter manual



Start/stop otomatis

Mengisap tumpukan debu dari perkakas listrik yang sedang beroperasi; Alat pengisap akan hidup secara otomatis lalu mati kembali dengan jeda waktu. Stopkontak pada alat pengisap dialiri daya secara permanen.



Penonaktifan

Stopkontak pada alat pengisap tidak dialiri daya.



Pengisapan

Mengisap debu yang menumpuk dan debu dari sistem pengisapan. Stopkontak pada alat pengisap dialiri daya secara permanen.



Min/Maks

Pengaturan daya isap tanpa henti:

- Daya isap maksimum untuk penggunaan dengan jumlah debu yang banyak
- Mengurangi daya isap untuk penggunaan dengan jumlah debu yang sedikit dan untuk mengatur daya isap antara perkakas listrik yang terhubung dan permukaan benda kerja (misalnya saat menggerinda)



Penyimpanan data diaktifkan di dalam alat pengisap ini.

**max.
2100 W
min.
100 W**

Informasi input daya yang diperbolehkan dari perkakas listrik yang terhubung (menyesuaikan negara masing-masing)

Spesifikasi produk dan performa

Perhatikan ilustrasi yang terdapat pada bagian depan panduan pengoperasian.

Tujuan penggunaan

Alat pengisap ini dirancang untuk mengumpulkan, mengisap, mengangkut, dan memisahkan debu kering dan cairan yang

tidak mudah terbakar. Alat pengisap telah diperiksa dan sesuai dengan kelas debu L. Alat ini cocok untuk pengerjaan yang sangat menuntut pada penggunaan komersial, misalnya dalam bidang pertukangan, industri dan bengkel.

Alat pengisap kategori debu L berdasarkan IEC/EN 60335-2-69 hanya boleh digunakan untuk mengisap debu yang berbahaya bagi kesehatan dengan nilai batas eksposur > 1 mg/m³.

Gunakan alat pengisap hanya jika Anda benar-benar mengenal dan menguasai semua fungsinya serta dapat mengoperasikannya tanpa keterbatasan atau telah menerima petunjuk-petunjuk rinci tentang penggunaannya.

Ilustrasi komponen

Penomoran ilustrasi komponen sesuai dengan gambar alat pengisap pada halaman bergambar.

- (1) Kontainer
- (2) Switch utama
- (3) Dudukan slang
- (4) Stopkontak untuk perkakas listrik
- (5) Indikator LED **A** Mode pembersihan filter otomatis
- (6) Indikator LED **M** Mode pembersihan filter manual
- (7) Tombol pembersihan filter manual
- (8) Tombol pembersihan filter otomatis
- (9) Pengatur daya isap
- (10) Gagang angkat
- (11) Dudukan L-BOXX
- (12) Bagian atas alat pengisap
- (13) Strap
- (14) Lubang pemasangan
- (15) Pengunci untuk bagian atas alat pengisap
- (16) Roda
- (17) Caster
- (18) Rem caster
- (19) Dudukan kabel

- (20) Rel pemandu untuk braket pemandu yang dapat diperpanjang
- (21) Area gagang belakang
- (22) Dudukan untuk nozel lantai
- (23) Nozel lantai
- (24) Nozel sikat kombinasi
- (25) Adaptor alat pengisap kombinasi (untuk perkakas listrik)
- (26) Katup pengunci penutup filter
- (27) Penutup filter awal
- (28) Tombol pembuka kunci filter awal
- (29) Slang isap
- (30) Pipa isap
- (31) Nozel bengkok
- (32) Kantong plastik
- (33) Lubang saluran udara
- (34) Filter flat-fold
- (35) Tombol tekan slang pengisap
- (36) Adaptor PowerTool (bagian depan)
- (37) Adaptor PowerTool (bagian belakang)
- (38) Tombol pembuka kunci nozel sikat kombinasi
- (39) Dudukan kantong filter fleece^{a)}
- (40) Kantong filter fleece^{a)}
- (41) Tombol tekan braket pemandu^{a)}
- (42) Braket pemandu yang dapat diperpanjang^{a)}
- (43) Penutup filter pada filter flat-fold
- (44) Filter awal
- (45) Sensor level pengisian
- (46) Pengapung
- (47) Penguncian pengapung
- (48) Magnet

a) **Aksesori ini tidak termasuk dalam lingkup pengiriman standar.**

Data teknis

Alat pengisap basah/kering		GAS 400 A	GAS 400 A
Nomor barang 3 601 JM0 020/... 0F0 ... 080/... 0E0/... 0N0 ... 0K0 ... 0L0/... 070 ... 0H0 ... 030	... 0D0/... 0G0 ... 0C0 ... 060
Input daya nominal	W	1200	1200
Frekuensi	Hz	50–60	60
Volume penampung debu (bruto)	l	40	40
Volume bersih (kering)	l	28	26
Volume bersih (cairan)	l	20	18
Tekanan negatif ^{a)}			

Alat pengisap basah/kering		GAS 400 A	GAS 400 A
- Alat pengisap	hPa	200	180
- Turbin	hPa	230	200
Laju alir ^{A)}			
- Alat pengisap	l/s	28	26
	m ³ /h	100,8	93,6
- Turbin	l/s	71,5	70
	m ³ /h	257	252
Kategori debu		L	L
Berat ^{B)}		kg	kg
		14,0	14,5
Kelas perlindungan		⊕/I	⊕/I
Tingkat perlindungan		IPX4	IPX4

A) dihitung dengan slang isap dengan diameter 28 mm dan panjang 4 m

B) Berat tanpa kabel sambungan listrik dan tanpa steker listrik

Informasi berlaku untuk tegangan nominal yang ditentukan. Data-data ini dapat bervariasi pada tegangan yang berbeda dan pada model khusus tiap negara.

Nilai dapat berbeda-beda bergantung pada produk dan mungkin tunduk pada kondisi lingkungan serta penggunaan. Informasi lebih lanjut pada www.bosch-professional.com/wac.

Stopkontak pada alat pengisap

Input daya yang diperbolehkan dari perkakas listrik yang terhubung			
3 601 JMO ...	Tegangan nominal	Daya maksimal	Daya minimal
... 020/... 0F0	230 V	2100 W	100 W
... 080/... 0E0/... 0N0	220 V	2100 W	100 W
... 0K0	220–230 V	2100 W	100 W
... 0L0/... 070	220–240 V	1660 W	100 W
... 0H0	220 V	1000 W	100 W
... 030	230 V	1100 W	100 W
... 0D0/... 0G0	127 V	705 W	100 W
... 0C0	115 V	525 W	100 W
... 060	110 V	560 W	100 W

Informasi input daya yang diperbolehkan dari perkakas listrik yang terhubung.

Pada model khusus tiap negara lainnya, nilai-nilai ini mungkin berbeda. Harap perhatikan informasi pada stopkontak pengisap debu.

Pemasangan

- ▶ **Selalu lepas steker dari stopkontak sebelum melakukan perawatan atau pembersihan, melakukan penyetulan, mengganti bagian aksesori, atau meletakkan alat pengisap.** Tindakan pencegahan ini dilakukan untuk menghindari penyalaan alat pengisap yang tidak diinginkan.

Memasang aksesori alat pengisap (lihat gambar A)

Slang pengisap (29) dilengkapi dengan sistem klip yang dapat disambungkan dengan aksesori alat pengisap (adaptor pengisap kombinasi (25), nozel bengkok (31), nozel sikat kombinasi (24)).

Memasang nozel bengkok

- Pasang nozel bengkok (31) pada slang pengisap (29) hingga kedua tombol tekan (35) pada slang pengisap terdengar mengunci.
- Untuk melepaskan, tekan tombol tekan (35) ke arah dalam, lalu lepaskan komponen.

Memasang nozel lantai dan pipa

- Bila perlu, pasang dan kencangkan pipa isap (30) satu sama lain ke nozel bengkok (31).
- Pasang dan kencangkan nozel lantai (23) ke pipa isap (30) atau nozel bengkok (31).

Memasang adaptor alat pengisap kombinasi

Adaptor alat pengisap kombinasi (25) terdiri dari adaptor PowerTool (bagian depan) (36) dan adaptor PowerTool (bagian belakang) (37).

Adaptor alat pengisap kombinasi (25) kompatibel dengan perkakas listrik dari Bosch.

Adaptor PowerTool (bagian belakang) (37) dapat digunakan untuk perkakas listrik dari produsen lain melalui diameter bagian dalam mulai dari 38,5 mm dan diameter bagian luar mulai dari 45 mm.

Pasang adaptor PowerTool (bagian depan) (36) ke adaptor PowerTool (bagian belakang) (37) dan sambungkan kedua adaptor dengan cara memutarnya berlawanan arah (lihat gambar B).

Pasang adaptor alat pengisap kombinasi (25) ke slang pengisap (29) hingga kedua tombol tekan (35) pada slang pengisap terkunci dengan benar.

Untuk melepaskan, tekan tombol tekan (35) ke arah dalam, lalu lepaskan adaptor alat pengisap kombinasi dari slang pengisap.

Untuk melepaskan kedua adaptor, kendurkan sambungan dengan memutarnya berlawanan arah dan lepaskan adaptor hingga terpisah.

Memasang nozel sikat kombinasi

Pasang nozel sikat kombinasi (24) ke slang pengisap (29) hingga kedua tombol tekan (35) pada slang pengisap terdengar mengunci.

Untuk melepaskan, tekan tombol tekan (35) ke arah dalam, lalu lepaskan komponen.

Mengatur nozel sikat kombinasi (lihat gambar C)

Nozel sikat kombinasi (24) dapat digunakan sebagai nozel celah atau sikat.

Tekan tombol pembuka kunci (38) dan dorong sikat ke depan untuk menggunakan nozel sikat kombinasi (24) sebagai sikat.

Tekan tombol pembuka kunci (38) lalu tarik sikat ke belakang untuk menggunakan nozel sikat kombinasi (24) sebagai nozel celah.

Memasang slang isap (lihat gambar D)

Pasang slang pengisap (29) ke dudukan slang (3) dan putar searah jarum jam hingga maksimal.

Catatan: Saat melakukan pengisapan, gesekan debu di dalam slang isap dan aksesorinya akan menciptakan muatan elektrostatik yang dapat dirasakan oleh pengguna dalam bentuk listrik statis (tergantung pada pengaruh lingkungan dan reaksi fisik).

Bosch merekomendasikan untuk menggunakan slang isap antistatik (aksesori) saat mengisap debu halus dan material kering.

Memasang slang pengisap ke alat pengisap (lihat gambar E)

Gulung slang pengisap yang telah dipasang (29) ke dalam kompartemen untuk slang pengisap. Tarik kedua strap (13) ke atas dan kaitkan ke dalam lubang pengikat (14).

Memasang/melepas kantong plastik (pengisapan debu kering) (lihat gambar F)

Buka kedua pengunci (15) dan lepaskan bagian atas alat pengisap (12).

Untuk pengisapan debu kering, pasang kantong plastik (32) ke dalam kontainer (1).

Letakkan kantong plastik (32) dengan lubang pengisian menghadap ke atas di dalam kontainer (1).

Pastikan kantong plastik (32) telah benar-benar terpasang di sisi dalam kontainer (1).

Jepit sisa kantong plastik (32) pada tepi kontainer (1).

Pastikan garis penghenti kantong plastik berada di tepi kontainer dan lubang saluran udara (33) tetap berada di dalam kontainer.

Pasang kembali bagian atas alat pengisap (12) dan tutup alat pengisap dengan penguncinya (15).

► Pastikan alat pengisap selalu terkunci dengan benar.

Kunci kantong plastik sebelum melepaskannya. Pegang bagian atas kantong dan gunakan pita untuk mengikat kantong.

Memasang/melepaskan kantong filter fleece (pengisapan debu kering) (lihat gambar G–H)

Kantong filter fleece (40) (aksesori) dapat digunakan untuk pengisapan debu kering pada tekstil sesuai dengan kategori debu L.

Jika tekstil tanpa atau dengan nilai batas paparan $\geq 1 \text{ mg/m}^3$ (sesuai dengan kategori debu L) dilakukan pengisapan, tekstil tersebut dapat diisap langsung ke dalam kontainer.

Catatan: Saat menggunakan kantong filter fleece, matikan pembersihan filter otomatis (lihat „Pembersihan filter otomatis/manual (lihat gambar M)“, Halaman 90).

⚠ PERINGATAN Alat pengisap berisi debu yang berisiko bagi kesehatan. Lakukan proses pengosongan, perawatan, pembersihan kontainer debu hanya oleh orang yang ahli. Diperlukan peralatan keselamatan yang sesuai. Jangan mengoperasikan alat pengisap tanpa sistem penyaring yang lengkap dan terpasang dengan cermat. Jika tidak, hal tersebut dapat membahayakan kesehatan.

Buka pengunci (15) dan lepaskan bagian atas alat pengisap (12).

Untuk memasukkan, letakkan kantong filter fleece (40) pada dudukan kantong filter fleece (39) dan letakkan kantong filter fleece (40) dengan dudukan kantong filter fleece (39) ke dalam kontainer (1).

Untuk melepaskan, kunci lubang kantong filter fleece yang terisi penuh dengan menarik kuncinya. Lepaskan kantong filter fleece yang terkunci (40) dari dudukan kantong filter fleece (39) lalu lepaskan dari alat pengisap.

Pasang kembali bagian atas alat pengisap (12) dan sambungkan kontainer (1) ke bagian atas alat pengisap (12) dengan menutup pengunci (15).

Mengaitkan L-Boxx (lihat gambar I)

Untuk pengangkutan alat pengisap dan untuk penyimpanan aksesoris alat pengisap dan/atau perkakas listrik yang menghemat ruang, klik L-Boxx di bagian atas alat pengisap. Pasang slang pengisap ke alat pengisap (lihat gambar E).

Kaitkan L-Boxx padaudukannya (11).

► **Jangan lakukan pengisapan dengan L-Boxx terpasang.**

Titik berat alat pengisap akan berpindah ke atas. Alat pengisap dapat terbalik. Terdapat risiko cedera dan kerusakan.

► **Jangan mengangkat alat pengisap pada gagang angkat L-Boxx yang terpasang.** Gagang angkat L-Boxx tidak dapat menahan berat alat pengisap. Terdapat risiko cedera dan kerusakan.

Memasang braket pemandu yang dapat diperpanjang (aksesori) (lihat gambar J-K)

Catatan: Braket pemandu yang dapat diperpanjang tidak dapat dilepas. Selama pemasangan, pastikan orientasi braket pemandu telah sesuai.

Sebelum pemasangan, arahkan braket pemandu (42) berdasarkan tanda **R** (kanan) dan **L** (kiri).

Pasang braket pemandu (42) pada rel pemandu (20).

Tekan braket pemandu (42) hingga garis berhenti berada di bawah, hingga braket pemandu terdengar mengunci.

Tekan tombol tekan (41), untuk mengubah panjang braket pemandu (42).

Penggunaan

- **Selalu lepas steker dari stopkontak sebelum melakukan perawatan atau pembersihan, melakukan penyetulan, mengganti bagian aksesoris, atau meletakkan alat pengisap.** Tindakan pencegahan ini dilakukan untuk menghindari penyalaaan alat pengisap yang tidak diinginkan.

Cara penggunaan

- **Perhatikan tegangan listrik!** Tegangan pada sumber listrik harus sesuai dengan informasi yang tercantum pada label tipe alat pengisap.
- **Carilah informasi tentang peraturan/hukum yang berlaku mengenai penanganan debu berbahaya di negara Anda.**

Alat pengisap diperbolehkan untuk mengisap material berikut ini:

- Debu dengan nilai batas eksposisi > 1 mg/m³

Alat pengisap tidak boleh digunakan di ruangan yang rentan terjadi ledakan.

Untuk memastikan kinerja alat pengisap yang optimal, slang isap (29) harus selalu dipasang dengan benar pada bagian atas alat pengisap (12).

Mengatur daya isap

Daya isap dapat diatur tanpa henti menggunakan pengatur daya isap (9).

Atur pengatur daya isap (9) ke daya isap maksimum untuk penggunaan dengan jumlah debu yang banyak.

Atur pengatur daya isap (9) ke posisi untuk mengurangi daya isap untuk penggunaan dengan jumlah debu yang sedikit dan untuk mengatur daya isap antara perkakas listrik yang terhubung dan permukaan benda kerja (misalnya saat menggerinda).

Stopkontak pada alat pengisap

- **Perhatikan input daya stopkontak yang diperbolehkan pada alat pengisap. Input daya yang melebihi input daya maksimal yang diperbolehkan dapat menyebabkan alat pengisap kelebihan beban. Sekring pelindung motor diaktifkan.** Kirim alat pengisap ke pusat layanan pelanggan **Bosch** resmi.

Begitu steker alat pengisap dipasang ke dalam stopkontak dan switch utama berada pada posisi **1**, stopkontak untuk perkakas listrik (**4**) dialiri daya. Stopkontak tersebut dapat digunakan sebagai sambungan daya eksternal pada alat pengisap, misalnya saat bekerja dengan sistem pengisap. Pada posisi **1+**, fitur start/stop otomatis pada alat pengisap diaktifkan. Alat pengisap dapat dihidupkan dari jarak jauh menggunakan perkakas listrik yang terhubung.

Pengisapan kering

Pengisapan debu yang mengendap



Untuk **menghidupkan alat pengisap**, putar switch utama (2) ke posisi **1**.

Untuk **mematikan alat pengisap**, putar switch utama (2) ke posisi **0**.

Mengisap tumpukan debu dari perkakas listrik yang beroperasi (lihat gambar L)

- **Diperlukan pertukaran udara yang mencukupi di dalam ruangan ketika udara buang kembali ke ruangan. Harap patuhi peraturan nasional yang relevan.**

Stopkontak untuk perkakas listrik (**4**) terintegrasi ke alat pengisap. Perkakas listrik eksternal dapat disambungkan ke stopkontak tersebut. Perhatikan input daya maksimal yang diperbolehkan dari perkakas listrik yang terhubung.

Pasang adaptor alat pengisap kombinasi (**25**) (lihat gambar B).

Pasang adaptor alat pengisap kombinasi (**25**) ke dalam soket pengisap pada perkakas listrik.



Untuk **mengaktifkan start/stop otomatis** pada alat pengisap, putar switch utama (2) ke posisi **1+**.

Untuk **pengoperasian pertama alat pengisap**, hidupkan perkakas listrik yang tersambung ke stopkontak (**4**). Alat pengisap hidup secara otomatis.

Matikan perkakas listrik agar **proses pengisapan berhenti**. Fungsi penundaan shutdown pada start/stop otomatis

berlangsung hingga 15 detik untuk mengisap sisa debu dari slang pengisapan.



Untuk **mematikan alat pengisap**, putar switch utama (2) ke posisi 0.

Penggunaan sistem pengisapan (aksesori)



Hubungkan sistem pengisapan ke slang pengisap (29).

Untuk mengisap debu dengan sistem pengisapan, putar switch utama (2) ke

posisi 1.

Letakkan sistem pengisapan pada dinding dan hidupkan perkakas listrik. Akibat tekanan negatif yang dihasilkan, sistem pengisapan menempel secara otomatis.

Matikan perkakas listrik dan lepaskan sistem pengisapan dari dinding dengan perlahan.



Untuk **mematikan alat pengisap**, putar switch utama (2) ke posisi 0.

Pengisapan basah

- ▶ **Jangan gunakan alat pengisap untuk mengisap cairan yang mudah terbakar dan dapat meledak, misalnya bensin, oli, alkohol, zat pelarut. Jangan mengisap debu panas, debu yang terbakar atau eksplosif. Jangan mengoperasikan alat pengisap di ruangan yang dapat memicu ledakan.** Debu, uap, atau cairan dapat terbakar atau meledak.
- ▶ **Alat pengisap tidak boleh digunakan sebagai pompa air.** Alat pengisap dirancang untuk mengisap udara dan campuran air.

Petunjuk: Persyaratan pada kelas permeabilitas (kategori debu L) telah diverifikasi hanya untuk pengisapan kering.

Sebelum melakukan pengisapan basah

Kosongkan kontainer (1) dan lepaskan kantong plastik (32) atau kantong fleece (40).

Periksa sensor level pengisian (45) untuk mengetahui adanya kotoran. Alat pengisap hanya dapat mati secara otomatis saat kontainer sudah penuh jika sensor level pengisian dalam keadaan bersih (lihat „Membersihkan sensor level pengisian (lihat gambar Q-R)“, Halaman 91).

- ▶ **Pembersihan filter otomatis harus dinonaktifkan selama pengisapan debu basah.**

Tekan tombol pembersihan filter otomatis (8) untuk mengaktifkan pembersihan filter manual (lihat „Pembersihan filter manual“, Halaman 90). Pembersihan filter otomatis kemudian dinonaktifkan dan indikator LED A (5) padam.

Mengisap cairan

⚠ PERINGATAN Segera matikan alat pengisap jika terdapat busa atau air yang keluar dan kosongkan wadahnya. Jika tidak, alat pengisap dapat rusak.

Untuk **menghidupkan alat pengisap**, putar switch utama (2) ke posisi 1.

Alat pengisap dilengkapi dengan sensor level pengisian (45). Ketika level pengisian maksimal tercapai, alat pengisap akan mati secara otomatis dan kedua indikator LED A (5) dan M (6) akan berkedip secara bersamaan satu kali setiap detik. Perlindungan pengaktifan ulang akan diaktifkan dan dapat dinonaktifkan dengan menghidupkan/mematikan alat pengisap satu kali.

Catatan: Periksa level pengisian secara teratur dan kosongkan kontainer tepat waktu.

Untuk **mematikan alat pengisap**, putar switch utama (2) ke posisi 0.

Letakkan kontainer (1) di area pegangan belakang (21) dan gerakkan ke depan untuk membersihkan cairan.

Setelah pengisapan basah

Bersihkan sensor level pengisian (45) (lihat „Membersihkan sensor level pengisian (lihat gambar Q-R)“, Halaman 91) setiap selesai melakukan pengisapan basah.

Untuk mencegah pembentukan jamur setelah pengisapan basah:

- Lepaskan filter flat-fold (34) dan biarkan hingga sepenuhnya kering.
- Lepaskan bagian atas alat pengisap (12), buka penutup filter (43), dan biarkan hingga sepenuhnya kering.

Pembersihan filter otomatis/manual (lihat gambar M)

Pembersihan filter otomatis

Catatan: Pembersihan filter otomatis diatur secara default saat alat pengisap dihidupkan.

Indikator LED A (5) menyala terus-menerus.

Selama pembersihan filter otomatis, filter flat-fold (34) dibersihkan setiap 15 detik dengan 2 tekanan udara (suara berdenyut).

Penggunaan pembersihan filter secara berkala dapat meningkatkan masa pakai filter.

Untuk mencapai masa pakai filter yang ideal, nonaktifkan pembersihan filter otomatis hanya situasi yang dikecualikan, misalnya saat pengisapan debu basah.

Pembersihan filter manual

Tekan tombol pembersihan filter manual (7) untuk melakukan pembersihan filter manual. Filter flat-fold (34) dibersihkan dengan 2 tekanan udara. Indikator LED M (6) menyala putih selama 2 detik. Ketika indikator LED M (6) padam, tekanan udara berikutnya dapat diaktifkan. Untuk melakukannya, tekan kembali tombol pembersihan filter manual (7).

Catatan: Saat membersihkan filter manual, pastikan bahwa interval waktu antara setiap penekanan tombol adalah selama 2–3 detik. Menekan tombol pembersihan filter manual (7) secara kontinu beberapa kali akan mengaktifkan perlindungan panas berlebih pada alat pengisap. Perlindungan panas berlebih secara otomatis dibatalkan

setelah beberapa saat (lihat „Pemecahan masalah“, Halaman 92).

Untuk menonaktifkan pembersihan filter manual, tekan tombol pembersihan filter otomatis (8).

Filter flat-fold yang permukaannya kotor masih dapat berfungsi dengan baik. Jangan memukul-mukulkan atau meniup filter flat-fold saat membersihkan secara manual karena dapat merusak filter.

Perawatan dan servis

Perawatan dan pembersihan

- ▶ **Selalu lepas steker dari stopkontak sebelum melakukan perawatan atau pembersihan, melakukan penyetelan, mengganti bagian aksesori, atau meletakkan alat pengisap.** Tindakan pencegahan ini dilakukan untuk menghindari penyalan alat pengisap yang tidak diinginkan.

- ▶ **Jaga kebersihan alat pengisap dan lubang ventilasi agar dapat digunakan dengan baik dan aman.**

Jika kabel listrik harus diganti, pekerjaan ini harus dilakukan oleh **Bosch** atau Service Center untuk perangkat listrik **Bosch** resmi agar keselamatan kerja selalu terjamin.

- ▶ **Pakailah masker debu saat melakukan perawatan dan pembersihan alat pengisap.**

Bersihkan housing alat pengisap sesekali dengan kain yang lembap.

- ▶ **Jangan bersihkan pengisap debu dengan udara bertekanan.** Filter atau komponen lainnya dapat menjadi rusak.

Minimal setahun sekali, pemeriksaan terkait debu pada alat pengisap harus dilakukan oleh produsen atau personel yang terlatih (misalnya pemeriksaan terkait kerusakan pada filter, kerapatan alat pengisap, dan fungsi perangkat kontrol).

Pembersihan dan perawatan setelah melakukan pengisapan zat yang berbahaya bagi kesehatan

- Anggaphlah semua komponen yang mungkin bersentuhan dengan bahan berbahaya telah terkontaminasi.
- Isap, seka, atau tutup rapat bagian luar alat pengisap secara menyeluruh sebelum mengeluarkannya dari area yang mengandung zat berbahaya.
- Hanya bersihkan, lepas, dan lakukan perawatan pada alat pengisap jika memungkinkan untuk melakukan hal tersebut tanpa membahayakan Anda dan orang lain. Kenakan alat pelindung diri saat melakukan perawatan dan pembersihan. Lakukan pekerjaan di ruangan dengan ventilasi yang baik.
- Bersihkan bagian luar alat pengisap terlebih dahulu sebelum melepasnya.
- Buang komponen alat pengisap yang tidak dapat dibersihkan dengan baik ke dalam kantong kedap air. Untuk itu, patuhi peraturan yang berlaku untuk pembuangan limbah tersebut.
- Setelah pekerjaan selesai, bersihkan area perawatan.

Membersihkan penampung debu

Seka kontainer (1) sesekali dengan bahan pembersih nonabrasif standar dan biarkan hingga kering.

Membersihkan/mengganti filter flat-fold (lihat gambar N-O)

- ▶ **Saat membuka penutup filter, pegang flap penutup dan pastikan penutup filter yang terbuka terkunci pada posisi vertikal.** Terdapat risiko cedera jika penutup filter terjatuh.

Daya isap bergantung pada kondisi filter. Oleh karena itu, bersihkan filter secara rutin.

Segera ganti filter flat-fold (34) yang rusak.

- Tarik katup pengunci (26) dan gerakan penutup filter (43) ke atas hingga terkunci dalam posisi vertikal.
- Letakkan filter flat-fold (34) pada braketnya dan lepaskan ke atas.
- Bersihkan debu dan kotoran yang timbul saat melepas filter flat-fold (34) dengan kain lembap dari tepi kontainer (1).
- Filter flat-fold dapat dibilas di bawah air mengalir.
- Pasang filter flat-fold (34) yang baru atau sudah dibersihkan, untuk itu, pastikan filter terpasang dengan benar dan aman.
- Tutup penutup filter (43), hingga terdengar mengunci.

Membersihkan filter awal (lihat gambar P)

- ▶ **Filter awal tidak boleh dibersihkan dalam keadaan basah.**

- ▶ **Jangan sentuh area dari arah atas antara braket pemandu dan alat pengisap untuk membuka kunci penutup filter awal.** Dengan demikian, tangan Anda tidak akan terjepit.

Tarik braket pemandu (42) ke atas hingga penutup filter awal dapat diakses dengan mudah dari belakang.

Tekan tombol pembuka kunci (28) penutup filter awal (27) dan lepaskan dari kompartemen filter awal.

Lepaskan filter awal (44).

Bersihkan bagian-bagian filter awal dengan sikat lembut.

Letakkan filter awal ke dalam penutup filter awal (27).

Letakkan penutup filter awal (27) pada kompartemen filter awal, lalu lipat ke dalam.

Membersihkan sensor level pengisian (lihat gambar Q-R)

Lepaskan steker alat pengisap dari stopkontak.

Lepaskan bagian atas alat pengisap (12).

Kosongkan kontainer (1).

Gerakkan atau ketuk perlahan pengapung (46) untuk menghilangkan kotoran.

Bersihkan pengapung (46) dengan kain lembut.

Jika perlu, pengapung juga dapat dilepaskan. Untuk itu, tekan penguncian (47) dan lepaskan pengapung (46).

Bersihkan magnet (48) dengan sikat.

Pasang kembali pengapung (46).

Penyimpanan dan pengangkutan

- Gulung kabel listrik pada dudukan kabel **(19)**.
- Pasang aksesoris ke dalam dudukan yang disediakan.
- Gulung slang pengisap yang telah dipasang **(29)** ke dalam kompartemen untuk slang pengisap. Tarik kedua strap **(13)** ke atas dan kaitkan ke dalam lubang pengikat.
- Kaitkan L-BOXX padaudukannya **(11)**.
- Segera lepaskan kantong plastik/kantong filter fleece ketika sudah penuh.
- Bawa alat pengisap dengan memegang gagang angkatnya **(10)**.
- Letakkan alat pengisap di tempat yang kering dengan permukaan rata dan lindungi dari penggunaan yang tidak sah.
- Untuk mengunci caster **(17)**, tekan rem caster **(18)** ke bawah.
- Untuk pengangkutan alat pengisap yang mudah dan tidak membuat lelah, kosongkan kontainer sepenuhnya atau buang seluruh isi kantong plastik/kantong filter fleece.
- Buka kunci rem caster **(18)** untuk mendorong atau menarik alat pengisap.
- Hanya gunakan braket pemandu yang dapat diperpanjang **(42)** untuk mendorong dan menarik alat pengisap. Alat pengisap tidak boleh ditarik melewati anak tangga menggunakan braket pemandu. Untuk melakukannya, hanya gunakan gagang angkat.
- Saat membawa alat pengisap di tangga, pastikan tidak ada orang lain tepat di belakang Anda seandainya alat pengisap terjatuh secara tidak terduga.

Pemecahan masalah

- **Jika terjadi gangguan (misalnya filter retak), alat pengisap harus segera dimatikan. Sebelum kembali memulai pengoperasian, gangguan harus diatasi.**

Masalah	Solusi
Turbin isap tidak beroperasi.	Periksa kabel, steker, sekring, stopkontak dan sensor level pengisian (45) . Switch utama (2) diatur ke "start/stop otomatis". Atur switch utama (2) ke simbol "Pengisian" atau hidupan perkakas listrik yang terhubung ke stopkontak (4) .
Turbin isap mati.	Selama pengisapan debu basah, indikator LED A dan M berkedip perlahan dan bersamaan. Kosongkan kontainer (1) . Selama pengisapan kering, indikator LED A dan M berkedip cepat dan bersamaan: Perlindungan beban berlebih pada stopkontak di alat pengisapan diaktifkan. Matikan perkakas listrik.
Alat pengisap mati.	Beban berlebih pada alat pengisap akibat tegangan maksimal pada stopkontak di alat pengisap terlampaui: Sekring pelindung motor terpicu. Kirim alat pengisap ke pusat layanan pelanggan Bosch resmi.
Turbin isap tidak beroperasi kembali setelah penampung debu dikosongkan.	Matikan alat pengisap dan tunggu selama 5 detik, hidupan kembali setelah 5 detik. Bersihkan sensor level pengisian (45) dan ruang di antara sensor level pengisian (45) dengan sikat.
Daya isap menurun.	Bersihkan penyumbat dari nozel pengisap, pipa pengisap, slang pengisap (29) atau filter flat-fold (34) . Ganti kantong plastik (32) /kantong filter fleece (40) . Kunci penutup filter (43) dengan benar. Pasang bagian atas alat pengisap (12) dengan benar dan kunci pengunci (15) . Ganti filter flat-fold (34) .
Debu keluar saat pengisapan	Pastikan filter flat-fold (34) terpasang dengan benar. Ganti filter flat-fold (34) .
Penonaktifan otomatis (pengisapan basah) tidak berfungsi.	Bersihkan sensor level pengisian (45) dan ruang di antara sensor level pengisian (45) dengan sikat. Selalu periksa level pengisian.
Pembersihan filter otomatis tidak berfungsi.	Beralihlah ke mode manual dengan menekan tombol pembersihan filter manual (7) . Jika gangguan masih terjadi, hubungi pusat layanan pelanggan Bosch resmi.

Masalah	Solusi
Pembersihan filter manual tidak dapat dilakukan.	<p>Perindungan panas berlebih pada alat pengisap diaktifkan.</p> <p>Menekan tombol pembersihan filter manual (7) secara kontinu sebanyak 10 kali akan mengaktifkan perlindungan panas berlebih. Perlindungan panas berlebih secara otomatis dibatalkan setelah 20 detik.</p> <p>Menekan tombol pembersihan filter manual (7) secara kontinu sebanyak 30 kali akan mengaktifkan perlindungan panas berlebih. Perlindungan panas berlebih secara otomatis dibatalkan setelah 4 menit.</p> <p>Jika gangguan masih terjadi, hubungi pusat layanan pelanggan Bosch resmi.</p>
Pembersihan filter otomatis tidak diaktifkan.	Hubungi pusat layanan pelanggan Bosch resmi.

Layanan pelanggan dan konsultasi penggunaan

Layanan pelanggan Bosch menjawab semua pertanyaan Anda tentang reparasi dan perawatan serta tentang suku cadang produk ini. Gambaran teknis (exploded view) dan informasi mengenai suku cadang dapat ditemukan di:

www.bosch-pt.com

Tim konsultasi penggunaan Bosch akan membantu Anda menjawab pertanyaan seputar produk kami beserta aksesorinya.

Jika Anda hendak menanyakan sesuatu atau memesan suku cadang, selalu sebutkan nomor model yang terdiri dari 10 angka dan tercantum pada label tipe produk.

Indonesia

PT Robert Bosch Indonesia
 Arkadia Green Park Tower G – 7th floor
 Jl. Let. Jend. TB. Simatupang Kav.88
 Jakarta 12520
 Tel.: (021) 3005 5800
 Fax: (021) 3005 5801
 E-Mail: boschpowertools@id.bosch.com
www.bosch-pt.co.id

Alamat layanan lainnya dapat ditemukan di:

www.bosch-pt.com/serviceaddresses

Cara membuang

Alat pengisap, aksesoris, dan kemasan harus didaur ulang secara ramah lingkungan.



Jangan membuang alat pengisap bersama dengan sampah rumah tangga!

Tiếng Việt

Hướng dẫn an toàn của máy hút bụi



Đọc kỹ mọi cảnh báo an toàn và mọi hướng dẫn. Không tuân thủ mọi cảnh báo và hướng dẫn được liệt kê dưới đây có thể bị điện giật, gây cháy và / hay bị thương tật nghiêm trọng.

Hãy giữ tất cả tài liệu về cảnh báo và hướng dẫn để tham khảo về sau.

► **Máy hút bụi này không thiết kế dành cho đối tượng sử dụng là trẻ em và người bị hạn chế về thể chất, khả năng giác quan kém hoặc tâm thần hoặc thiếu kinh nghiệm và thiếu hiểu biết.** Nếu không sẽ có nguy cơ sai sót khi vận hành và gây thương tích.

► **Hãy giám sát trẻ em.** Để đảm bảo rằng, trẻ em không chơi với máy hút này.

► **Hãy tuân thủ tất cả quy định an toàn cho chất hút.**

► **Không hút như bụi gỗ sỏi hoặc bụi gỗ dẽ gai, bụi đá hoặc Amiăng.** Những chất này được coi là chất gây ung thư.

⚠ CẢNH BÁO Chỉ sử dụng máy hút bụi, khi bạn đã có đủ thông tin về việc sử dụng máy hút bụi, về chất được hút và về việc xử lý an toàn. Một bản hướng dẫn chi tiết

sẽ giúp làm giảm sai sót khi vận hành và tránh bị thương tích.

⚠ CẢNH BÁO Máy hút bụi chỉ thích hợp để hút các chất khô và cũng phù hợp để hút chất lỏng nhờ các biện pháp phù hợp. Chất lỏng thấm vào sẽ làm tăng nguy cơ giật điện.

► **Không hút các chất lỏng dễ cháy hoặc dễ nổ, ví dụ như xăng, dầu, cồn, dung môi. Không hút các bụi nóng, bụi dễ cháy nổ. Không vận hành máy hút bụi trong các không gian dễ nổ.** Rác, chất khí, chất lỏng loại có thể gây cháy hay nổ.

⚠ CẢNH BÁO Chỉ sử dụng ổ cắm cho các mục đích được quy định trong hướng dẫn vận hành.

⚠ CẢNH BÁO Tắt máy hút bụi ngay lập tức, ngay khi bọt và nước xuất hiện và hãy xả rỗng bình chứa. Nếu không, máy hút bụi có thể bị hư hại.

► **LƯU Ý!** Máy hút bụi chỉ nên đặt trong nhà.

► **LƯU Ý!** Bạn hãy làm sạch các cảm biến mức nạp đầy của các chất lỏng đều đặn và kiểm tra xem liệu các cảm biến đó có bị hư hại. Nếu không thì có thể làm suy giảm chức năng.

► **Nếu việc sử dụng máy hút bụi ở nơi ẩm ướt là không thể tránh được, dùng thiết bị ngắt mạch tự động (RCD) bảo vệ nguồn.** Sử dụng thiết bị thiết bị ngắt mạch tự động RCD làm giảm nguy cơ bị điện giật.

► **Vui lòng kiểm tra trước khi sử dụng máy hút bụi, dây cáp và phích cắm. Không được sử dụng máy hút bụi nếu bạn phát hiện có hư hỏng. Không tự mở máy hút bụi và chỉ để người có chuyên môn được đào tạo sửa và chỉ dùng các phụ tùng gốc để sửa chữa.** Làm hư hại máy hút bụi, cáp và phích cắm làm tăng nguy cơ điện giật.

► **Không chạy qua hoặc đè bẹp cáp. Không rút ở cáp, để rút đầu cắm ra khỏi ổ cắm hoặc di chuyển máy hút bụi.** Dây dẫn bị hỏng làm tăng nguy cơ bị điện giật.

► **Hãy tháo phích cắm ra khỏi ổ cắm điện, trước khi bạn bảo dưỡng hoặc làm sạch, điều chỉnh thiết bị, thay phụ kiện, hoặc để xa máy hút bụi.** Biện pháp thận trọng sẽ tránh việc khởi động máy hút bụi không chủ ý.

► **Tạo cho nơi làm việc được thông thoáng tốt.**

► **Chỉ để người có chuyên môn được đào tạo dùng các phụ tùng gốc để sửa chữa.** Điều này bảo đảm cho sự an toàn của máy hút bụi của bạn được giữ nguyên.

⚠ CẢNH BÁO Máy hút bụi có chứa bụi gây hại cho sức khỏe. Chỉ để thợ chuyên môn tiến hành các quá trình xả rỗng và bảo dưỡng, bao gồm xử lý bình chứa thu gom bụi. Cần có một thiết bị bảo hộ tương ứng.

Không vận hành máy hút bụi mà không có hệ thống lọc đầy đủ và được lắp cẩn thận. Nếu không bạn sẽ gây nguy hiểm cho sức khỏe của mình.

► **Trước khi vận hành, hãy kiểm tra tình trạng không lỗi của ống hút. Khi đó, hãy cho lắp ống hút ở máy hút bụi, để bụi không vô tình xuất hiện.** Nếu không, bạn có thể hít phải bụi.

► **Không sử dụng máy hút bụi làm ghế ngồi.** Máy hút bụi có thể bị hư hỏng.

► **Sử dụng dây điện và ống hút cẩn thận.** Có thể gây nguy hại cho những người khác.

► **Không vệ sinh máy hút bụi bằng tia nước trực tiếp.** Nước vào nắp trên cùng của máy sẽ làm tăng nguy cơ bị điện giật.

► **Kết nối máy hút bụi với một ổ cắm điện có nối đất thích hợp.** Ổ cắm điện và dây nối dài phải có chức năng nối đất bảo vệ.

► **Không kết nối ổ cắm tại máy hút bụi khi hút hầm hoặc trong môi trường ẩm.** Nguy cơ chập mạch hoặc điện giật có thể xảy ra do tiếp xúc với nước.

Các Biểu Tượng

Các biểu tượng sau đây hàm chứa ý nghĩa cho việc sử dụng máy hút bụi của bạn. Xin vui lòng ghi nhận các biểu tượng và ý nghĩa của chúng. Sự hiểu đúng các biểu tượng sẽ giúp bạn biết cách sử dụng máy hút bụi tốt và an toàn hơn.

Biểu tượng và các ý nghĩa của chúng



CẢNH BÁO! Đọc kỹ mọi cảnh báo an toàn và mọi hướng dẫn. Không tuân thủ mọi cảnh báo và hướng dẫn được liệt kê dưới đây có thể bị điện giật, gây cháy và/hoặc bị thương tật nghiêm trọng.



Máy hút bụi loại bụi L theo IEC/EN 60335-2-69 về hút khô từ các loại bụi gây hại cho sức khỏe với giới hạn tiếp xúc là > 1 mg/m³



CẢNH BÁO! Máy hút bụi có chứa bụi gây hại cho sức khỏe. Chỉ để thợ chuyên môn tiến hành các quá trình xả rỗng và bảo dưỡng, bao gồm xử lý bình chứa thu gom bụi. Cần có một thiết bị bảo hộ tương ứng. Không vận hành máy hút bụi mà không có hệ thống lọc đầy đủ và được lắp cẩn thận. Nếu không bạn sẽ gây nguy hiểm cho sức khỏe của mình.

Biểu tượng và các ý nghĩa của chúng



max. 1 L-Boxx
max. 15 kg

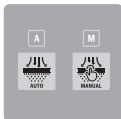
Chỉ gắn vào tối đa một L-BOXX.
Sức chứa của L-BOXX không được phép vượt quá 15 kg.



Không treo máy hút bụi trên móc cân cầu, ví dụ như khi vận chuyển. Máy hút bụi này không thích hợp cho vận chuyển bằng cân cầu. Việc này bao gồm các nguy hiểm gây thương tích và tổn hại.



Không sử dụng máy hút bụi làm ghế ngồi, thang hoặc đạp chân. Máy hút bụi có thể bị đổ và bị hư hại. Việc này bao gồm nguy hiểm gây thương tích.



A

A

LED hiển thị chế độ làm sạch bộ lọc tự động

M

M

LED hiển thị chế độ làm sạch bộ lọc thủ công



Nút Làm sạch bộ lọc tự động



Nút Làm sạch bộ lọc thủ công



Tự động khởi động-/ngừng

Hút sạch các loại bụi phát sinh từ các dụng cụ điện;
Máy hút bụi tự động khởi động và trì hoãn kết thúc.
Ổ cắm tại máy hút bụi luôn có điện áp.



Tắt

Ổ cắm tại máy hút bụi không có điện.



Hút

Hút sạch các loại bụi bám lâu ngày và bụi từ hệ thống hút.
Ổ cắm tại máy hút bụi luôn có điện áp.

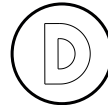
Biểu tượng và các ý nghĩa của chúng



Tối thiểu/tối đa

Điều chỉnh liên tục lực hút:

- công suất hút tối đa để sử dụng cho những đám bụi lớn
- công suất hút giảm để sử dụng cho những đám bụi nhỏ và để điều chỉnh lực hút giữa dụng cụ điện đã kết nối và bề mặt phối gia công (ví dụ như khi mài)



Ghi dữ liệu được kích hoạt trong máy hút bụi này.

max.
2100 W
min.
100 W

Chỉ số công suất nổi cho phép của dụng cụ điện đã kết nối (tiêu chuẩn quốc gia)

Mô Tả Sản Phẩm và Đặc Tính Kỹ Thuật

Xin lưu ý các hình minh họa trong phần trước của hướng dẫn vận hành.

Sử dụng đúng cách

Máy hút bụi này được dùng để thu gom, hút, hỗ trợ, loại bỏ các loại bụi khô và các chất lỏng không bắt lửa. Máy hút bụi được kiểm tra kỹ thuật và đáp ứng cho bụi loại L. Máy hút bụi này thích hợp với nhu cầu sử dụng công nghiệp ngày một tăng, ví dụ như dùng trong các nghề thủ công, công nghiệp và các công xưởng.

Máy hút bụi loại bụi L theo IEC/EN 60335-2-69 chỉ được phép dùng để hút và loại bỏ các loại bụi có hại cho sức khỏe với giới hạn tiếp xúc là $> 1 \text{ mg/m}^3$.

Chỉ sử dụng máy hút bụi khi bạn đã hiểu rõ và có thể sử dụng mọi chức năng một cách thông suốt, hay được hướng dẫn sử dụng đúng cách.

Các bộ phận được minh họa

Việc đánh số các đặc điểm của sản phẩm để tham khảo hình minh họa của máy hút bụi trên trang hình ảnh.

- (1) Khoang chứa
- (2) Công tắc chính
- (3) Hốc cắm ống
- (4) Ổ cắm cho dụng cụ điện
- (5) LED hiển thị **A** chế độ làm sạch bộ lọc tự động
- (6) LED hiển thị **M** chế độ làm sạch bộ lọc thủ công

- (7) Nút Làm sạch bộ lọc thủ công
 (8) Nút Làm sạch bộ lọc tự động
 (9) Bộ điều chỉnh công suất hút
 (10) Tay Xách
 (11) Khung L-BOXX
 (12) Thân nắp máy hút
 (13) Dải rút
 (14) Lỗ gắn
 (15) Chốt cài máy hút
 (16) Bánh công tác
 (17) Bánh xe nhỏ
 (18) Hãm bánh xe nhỏ
 (19) Giá đỡ cáp
 (20) Ray dẫn hướng cho khung dẫn hướng có thể mở rộng
 (21) Vùng tay nắm phía sau
 (22) Giá đỡ vòi phun đất
 (23) Vòi phun đất
 (24) Vòi bàn chải kết hợp
 (25) Cút nối ống hút kết hợp (cho dụng cụ điện)
 (26) Lẫy đóng cửa nắp bộ lọc
 (27) Lớp phủ cửa bộ lọc sơ bộ
 (28) Nút mở khóa bộ lọc sơ bộ
 (29) Vòi ống hút
 (30) Ống hút cứng
 (31) Vòi ống cong
 (32) Túi nhựa
 (33) Lỗ ống thông gió
 (34) Bộ lọc gấp nếp phẳng
 (35) Nút bấm vòi ống hút
 (36) Đầu nối PowerTool (phần trước)
 (37) Đầu nối PowerTool (phần sau)
 (38) Nút mở khóa vòi bàn chải kết hợp
 (39) Giá đỡ túi bộ lọc n^{ia})
 (40) Túi bộ lọc n^{ia})
 (41) Nút bấm khung dẫn hướng^{a)}
 (42) Khung dẫn hướng có thể mở rộng^{a)}
 (43) Nắp bộ lọc gấp nếp phẳng
 (44) Bộ lọc trước
 (45) Cảm biến mức nạp
 (46) Phao đo
 (47) Khóa phao đo
 (48) Nam châm
- a) Phụ kiện này không thuộc phạm vi giao hàng tiêu chuẩn.

Thông số kỹ thuật

Máy hút bụi khô/lướt		GAS 400 A	GAS 400 A
Mã số máy 3 601 JMO 020/... 0F0 ... 080/... 0E0/... 0N0 ... 0K0 ... 0L0/... 070 ... 0H0 ... 030	... 0D0/... 0G0 ... 0C0 ... 060
Công suất vào danh định	W	1200	1200
Chu kỳ	Hz	50–60	60
Dung tích khoang chứa (tổng thể)	l	40	40
Thể tích thực (khô)	l	28	26
Thể tích thực (Chất lỏng)	l	20	18
Chân không ^{A)}			
– Máy hút bụi	hPa	200	180
– Tua bin	hPa	230	200
Lưu lượng ^{A)}			
– Máy hút bụi	l/s	28	26
	m ³ /h	100,8	93,6
– Tua bin	l/s	71,5	70
	m ³ /h	257	252
Mức bụi		L	L
Trọng lượng ^{B)}	kg	14,0	14,5

Máy hút bụi khô/lướt	GAS 400 A	GAS 400 A
Cấp độ bảo vệ	⊕/I	⊕/I
Mức độ bảo vệ	IPX4	IPX4

A) được đo với một cái ống hút Ø 28 mm và dài 4 m

B) Trọng lượng không có cáp lưới điện và không có phích cắm điện nguồn

Các thông số được áp dụng cho điện áp định mức đã chỉ định. Đối với điện thế thấp hơn và các loại máy dành riêng cho một số quốc gia, các giá trị này có thể thay đổi.

Các giá trị có thể khác nhau tùy thuộc vào sản phẩm và tùy thuộc vào ứng dụng và điều kiện môi trường. Xem thêm thông tin chi tiết trên trang www.bosch-professional.com/wac.

Ổ cắm trên máy hút bụi

Công suất nối cho phép của dụng cụ điện đã kết nối			
3 601 JMO ...	Điện thế danh định	Công suất tối đa	Công suất tối thiểu
... 020/... 0F0	230 V	2100 W	100 W
... 080/... 0E0/... 0N0	220 V	2100 W	100 W
... 0K0	220–230 V	2100 W	100 W
... 0L0/... 070	220–240 V	1660 W	100 W
... 0H0	220 V	1000 W	100 W
... 030	230 V	1100 W	100 W
... 0D0/... 0G0	127 V	705 W	100 W
... 0C0	115 V	525 W	100 W
... 060	110 V	560 W	100 W

Chỉ số công suất nối cho phép của dụng cụ điện đã kết nối.

Đối với các model của từng quốc gia cụ thể, các giá trị này có thể sai lệch. Vui lòng chú ý các thông số trên ổ cắm của máy hút bụi.

Sự lắp vào

- **Hãy tháo phích cắm ra khỏi ổ cắm điện, trước khi bạn bảo dưỡng hoặc làm sạch, điều chỉnh thiết bị, thay phụ kiện, hoặc để xa máy hút bụi.** Biện pháp thận trọng sẽ tránh việc khởi động máy hút bụi không chủ ý.

Lắp phụ kiện hút (xem Hình A)

Vòi ống hút (29) được trang bị Clip System, mà có thể được kết nối với phụ kiện hút (Cút nối ống hút kết hợp (25), vòi ống cong (31), vòi bàn chải kết hợp. (24)

Lắp vòi ống cong

- Cắm vòi ống cong (31) vào ống hút mềm (29) cho đến khi cả hai nút bấm (35) của ống hút mềm được gài vào phát ra tiếng.
- Để tháo ra, ấn các nút bấm (35) vào trong và kéo các bộ phận ra.

Lắp vòi hút sàn và ống

- Nếu cần, hãy cắm ống hút (30) chắc chắn vào nhau và sau đó cắm lên vòi cong (31).
- Cắm vòi hút sàn (23) lên ống hút (30) hoặc vòi cong (31).

Lắp cút nối ống hút kết hợp

Cút nối ống hút kết hợp (25) gồm đầu nối PowerTool (phần trước) (36) và đầu nối PowerTool (phần sau) (37).

Cút nối ống hút kết hợp (25) tương thích với dụng cụ điện Bosch.

Đầu nối PowerTool (phần sau) (37) có thể được sử dụng bằng đường kính trong 38,5 mm và đường kính ngoài 45 mm cho dụng cụ điện của các nhà sản xuất khác.

Cắm đầu nối PowerTool (phần trước) (36) lên đầu nối PowerTool (phần sau) (37) và kết nối hai đầu nối bằng cách xoay ngược (xem hình B).

Cắm cút nối ống hút kết hợp (25) vào ống hút mềm (29) cho đến khi cả hai nút bấm (35) của ống hút mềm được gài vào phát ra tiếng.

Để tháo ra, ấn các nút bấm (35) vào trong và kéo cút nối ống hút kết hợp khỏi ống hút.

Để ngắt kết nối cả hai đầu nối, hãy rời lỏng kết nối bằng cách xoay ngược và kéo các đầu nối ra xa nhau.

Lắp vòi bàn chải kết hợp

Cắm vòi bàn chải kết hợp (24) vào ống hút mềm (29) cho đến khi cả hai nút bấm (35) của ống hút mềm được gài vào phát ra tiếng.

Để tháo ra, ấn các nút bấm (35) vào trong và kéo các bộ phận ra.

Điều chỉnh vòi bàn chải kết hợp (xem hình C)

Bạn sẽ có thể sử dụng vòi bàn chải kết hợp (24) làm vòi phun nổi hoặc bàn chải.

Ấn vào nút mở khóa (38) và đẩy bàn chải về trước, để sử dụng vòi bàn chải kết hợp (24) làm bàn chải.

Ấn vào nút mở khóa (38) và kéo bàn chải về sau, để sử dụng vòi bàn chải kết hợp (24) làm vòi phun nổi.

Lắp ống hút (xem hình D)

Đặt ống hút mềm (29) lên hốc cắm ống (3) và xoay theo chiều kim đồng hồ đến khi dừng lại.

Hướng dẫn: Khi hút, xuất hiện hiện tượng tĩnh điện trong ống mềm và các phụ kiện do sự ma sát của bụi mà người sử dụng có thể cảm nhận được sự phóng tích điện (phụ thuộc vào tác động của môi trường và độ nhạy cảm của cơ thể).

Nói chung Bosch khuyến dùng một loại ống mềm (phụ kiện) chống tĩnh điện khi hút bụi mịn và các loại vật liệu khô.

Gắn ống hút trên máy hút bụi (xem hình E)

Quấn ống hút mềm đã lắp ráp (29) vào ngăn chứa ống hút mềm. Kéo cả hai dây kéo (13) lên trên và móc vào các lỗ gắn (14).

Đặt/ bỏ túi nhựa (Hút bụi khô) (xem hình F)

Mở cả hai khóa (15) và tháo nắp trên cùng của máy hút bụi (12).

Để hút bụi khô, đặt một chiếc túi nhựa (32) vào trong khoang chứa (1).

Cài túi nhựa (32) vào khoang chứa với miệng túi hướng lên trên (1).

Đặt chắc chắn để túi nhựa (32) nằm lọt dựa vào các thành trong thùng chứa (1).

Căng phần còn lại của túi (32) lên cạnh của thùng chứa (1). Đảm bảo rằng vạch dừng của túi nhựa nằm ở mép khoang chứa và các lỗ ống thông gió vẫn còn (33) trong khoang chứa.

Đặt nắp trên cùng của máy hút bụi (12) lại và đóng ống hút bằng các khóa (15).

► Đảm bảo rằng máy hút bụi luôn đóng kín.

Đóng kín túi nhựa, **trước khi** lấy ra. Giữ các túi ở phía trên với nhau và dùng ruy băng để buộc túi.

Lắp vào/tháo túi bộ lọc nỉ (Hút bụi khô) (xem hình G–H)

Để hút khô các chất theo mức bụi L bạn có thể lắp túi bộ lọc nỉ (40) (Phụ kiện) vào.

Nếu các chất không có hoặc có giá trị giới hạn phơi nhiễm $\geq 1 \text{ mg/m}^3$ (tương ứng với mức bụi L) đang được hút, chúng có thể được hút trực tiếp vào khoang chứa.

Lưu ý: Tắt làm sạch bộ lọc tự động khi sử dụng túi bộ lọc nỉ (xem „Làm sạch bộ lọc tự động/thủ công (xem hình M)“, Trang 100).

⚠ CẢNH BÁO Máy hút bụi có chứa bụi gây hại cho sức khỏe. Chỉ để thợ chuyên môn tiến hành các quá trình xả rỗng và bảo dưỡng, bao gồm xử lý bình chứa thu gom bụi. Cần có một thiết bị bảo hộ tương ứng. Không vận hành máy hút bụi mà không có hệ thống lọc đầy đủ và được lắp cẩn thận. Nếu không bạn sẽ gây nguy hiểm cho sức khỏe của mình.

Mở các khóa (15) và tháo nắp trên cùng của máy hút bụi (12).

Để lắp, hãy cầm túi bộ lọc nỉ (40) lên giá đỡ túi bộ lọc nỉ (39) và đặt túi bộ lọc nỉ (40) với giá đỡ túi bộ lọc nỉ (39) vào khoang chứa (1).

Để tháo, hãy đóng lỗ hở của túi bộ lọc nỉ bằng cách kéo nắp đẩy. Kéo túi bộ lọc nỉ đóng kín (40) ra khỏi giá đỡ túi bộ lọc nỉ (39) và lấy nó ra khỏi máy hút bụi.

Đặt nắp trên cùng của máy hút bụi (12) lại và bằng cách đóng nắp đẩy (15) hãy kết nối khoang chứa (1) với nắp trên cùng (12).

Gắn L-Boxx (xem hình I)

Để vận chuyển máy hút bụi và cất gọn các phụ kiện máy hút bụi và/hoặc dụng cụ điện, bạn có thể gắn L-Boxx ở nắp trên cùng của máy hút bụi.

Gắn ống hút trên máy hút bụi (xem hình E).

Gắn L-Boxx vào khung (11).

► **Không hút bằng L-Boxx được kẹp.** Trọng tâm của máy hút bụi dịch chuyển lên trên. Máy hút bụi có thể bị đổ. Việc này bao gồm các nguy hiểm gây thương tích và tổn hại.

► **Không mang máy hút bụi bằng tay cầm của L-Boxx khi nó được kẹp vào.** Máy hút bụi quá nặng so với tay cầm của L-Boxx. Việc này bao gồm các nguy hiểm gây thương tích và tổn hại.

Lắp khung dẫn hướng có thể mở rộng (Phụ kiện) (xem hình J–K)

Lưu ý: Không thể tháo rời khung dẫn hướng có thể mở rộng. Chú ý căn chỉnh chính xác khung dẫn hướng khi lắp ráp.

Căn chỉnh khung dẫn hướng (42) trước khi lắp dựa vào đánh dấu **R** (bên phải) và **L** (bên trái).

Lắp khung dẫn hướng (42) vào ray dẫn hướng (20).

Ấn khung dẫn hướng xuống dưới (42) đến vạch dừng cho đến khi khung dẫn hướng có tiếng khộp vào.

Nhấn nút bấm (41), để thay đổi chiều dài của khung dẫn hướng (42).

Vận Hành

- ▶ **Hãy tháo phích cắm ra khỏi ổ cắm điện, trước khi bạn bảo dưỡng hoặc làm sạch, điều chỉnh thiết bị, thay phụ kiện, hoặc để xa máy hút bụi.** Biện pháp thận trọng sẽ tránh việc khởi động máy hút bụi không chủ ý.

Bắt Đầu Vận Hành

- ▶ **Tuân thủ theo đúng điện thế!** Điện thế của nguồn điện cung cấp phải tương ứng với số liệu ghi trên nhãn loại máy của máy hút bụi.
- ▶ **Bạn hãy thông tin về các quy định/luật hiện hành liên quan đến bụi gây hại đến sức khỏe tại đất nước của bạn.**

Máy hút bụi được dùng để hút và loại bỏ những chất sau đây:

- Các loại bụi có giới hạn tiếp xúc > 1 mg/m³
- Thông thường, máy hút bụi có thể không nên sử dụng trong phòng, nơi có sẵn nguy cơ gây nổ.

Để đảm bảo công suất hút bụi tối ưu, bạn phải luôn duỗi thẳng ống hút mềm (29) hoàn toàn phía trước nắp trên cùng của máy hút bụi (12).

Điều chỉnh lực hút

Bằng bộ điều chỉnh công suất hút (9) bạn có thể điều chỉnh liên tục lực hút.

Cài đặt bộ điều chỉnh công suất hút (9) để sử dụng cho những đám bụi lớn về mức công suất hút tối đa.

Cài đặt bộ điều chỉnh công suất hút (9) để sử dụng cho những đám bụi nhỏ và để điều chỉnh lực hút giữa dụng cụ điện đã kết nối và bề mặt phối gia công (ví dụ như khi mài) về vị trí của công suất hút thấp.

Ổ cắm trên máy hút bụi

- ▶ **Hãy lưu ý công suất kết nối cho phép của ổ cắm trên máy hút bụi. Vượt quá công suất kết nối tối đa cho phép có thể dẫn đến máy hút bụi bị quá tải. Khóa bảo vệ động cơ được kích hoạt.** Hãy gửi máy hút bụi đến trung tâm dịch vụ khách hàng được ủy quyền của Bosch.

Ngay khi phích cắm điện của máy hút bụi được cắm vào ổ cắm và công tắc chính ở vị trí 1, ổ cắm cho dụng cụ điện (4) có điện áp. Nó có thể được sử dụng làm đầu nối điện bên ngoài trên máy hút bụi, ví dụ khi làm việc với hệ thống hút. Trong vị trí 1+, hệ thống khởi động/dừng tự động của máy hút bụi được kích hoạt. Máy hút bụi có thể được bật từ xa bằng dụng cụ điện được kết nối.

Hút bụi khô

Hút sạch các loại bụi bám lâu ngày



Để **bật máy hút bụi**, hãy vận công tắc chính (2) vào vị trí 1.



Để **tắt máy hút bụi**, hãy vận công tắc chính (2) vào vị trí 0.

Hút sạch các loại bụi phát sinh từ các dụng cụ điện (xem hình L)

- ▶ **Phải có sẵn hệ số thông gió đầy đủ trong phòng, khi khí phát thải trở lại phòng. Chú ý các quy định quốc gia tương ứng.**

Trong máy hút bụi, công tắc của dụng cụ điện (4) được tích hợp. Bạn có thể kết nối dụng cụ điện ngoài với ổ cắm này. Chú ý công suất kết nối tối đa hợp lệ của dụng cụ điện được kết nối.

Lắp nút nối ống hút kết hợp (25) (xem hình B).

Cắm nút nối ống hút kết hợp (25) vào miệng hút của dụng cụ điện.



Để **bật hệ thống khởi động/dừng tự động** của máy hút bụi, hãy vận công tắc chính (2) vào vị trí 1+.

Bật dụng cụ điện đã kết nối với ổ cắm để chế độ **Đưa vào vận hành hoạt của máy hút bụi (4)**. Máy hút bụi bắt đầu tự động.

Tắt dụng cụ điện, để **kết thúc việc hút bụi**.

Chức năng chạy tiếp của chế độ tự động khởi động/dừng chạy cho đến 15 s để xả hết bụi bám còn lại ra khỏi ống mềm hút.



Để **tắt máy hút bụi**, hãy vận công tắc chính (2) vào vị trí 0.

Sử dụng hệ thống hút (Phụ kiện)



Kết nối hệ thống hút với ống mềm hút (29).

Để **hút bụi bằng hệ thống hút** hãy vận công tắc chính (2) vào vị trí 1.

Giữ hệ thống hút ở tường và bật dụng cụ điện. Do áp suất âm xuất hiện, hệ thống hút sẽ tự bám chặt. Tắt dụng cụ điện và cẩn thận tháo hệ thống hút ra khỏi tường.



Để **tắt máy hút bụi**, hãy vận công tắc chính (2) vào vị trí 0.

Hút Vặt Ấm Ướt

- ▶ **Không hút các chất lỏng dễ cháy hoặc dễ nổ, ví dụ như xăng, dầu, cồn, dung môi. Không hút các bụi nóng, bụi dễ cháy nổ. Không vận hành máy hút bụi trong các không gian dễ nổ.** Rác, chất khí, chất lỏng loại có thể gây cháy hay nổ.
- ▶ **Máy hút bụi không được phép dùng làm máy bơm nước.** Máy hút bụi được thiết kế để hút hỗn hợp khí và nước.

Hướng dẫn: Các yêu cầu về hệ số truyền (Loại bụi L) chỉ được áp dụng cho hút khô.

Trước khi hút ướt

Làm rỗng khoang chứa (1) và tháo túi nhựa (32) hoặc túi bộ lọc ni (40).

Kiểm tra độ bền của cảm biến mức nạp (45). Chỉ có cảm biến mức nạp sạch mới cho phép tắt tự động máy hút bụi khi khoang chứa đầy (xem „Làm sạch cảm biến mức nạp (xem hình Q–R)“, Trang 101).

► **Chức năng làm sạch bộ lọc tự động phải được hủy kích hoạt trong quá trình hút ướt.**

Hãy nhấn nút làm sạch bộ lọc tự động (8), để kích hoạt làm sạch bộ lọc thủ công (xem „Làm sạch bộ lọc thủ công“, Trang 100). Làm sạch bộ lọc tự động do đó được hủy kích hoạt và hiển thị LED A (5) tắt.

Hút sạch các chất lỏng

⚠ CẢNH BÁO **Tắt máy hút bụi ngay lập tức, ngay khi bọt và nước xuất**

hiện và hãy xả rỗng bình chứa. Nếu không, máy hút bụi có thể bị hư hại.

Để **bật máy hút bụi**, hãy vận công tắc chính (2) vào vị trí 1.

Máy hút bụi được trang bị cảm biến mức nạp (45). Nếu đạt mức nạp tối đa, máy hút bụi tự động ngắt và cả hai hiển thị LED A (5) và M (6) nhấp nháy đồng thời 1 lần mỗi giây. Chống sự khởi động lại được kích hoạt và có thể được hủy kích hoạt bằng cách bật/tắt máy hút bụi 1 lần.

Lưu ý: Kiểm tra mức nạp thường xuyên và xả sạch khoang chứa đúng lúc.

Để **tắt máy hút bụi**, hãy vận công tắc chính (2) vào vị trí 0.

Cắm vào khoang chứa (1) trong vùng tay nắm phía sau (21) và xoay nó về trước để xả cặn chất lỏng.

Sau khi hút ướt

Sau mỗi lần hút ướt hãy làm sạch cảm biến mức nạp (45) (xem „Làm sạch cảm biến mức nạp (xem hình Q–R)“, Trang 101).

Để tránh hiện tượng mốc sau khi hút bụi ướt:

- Lấy bộ lọc gấp nếp phẳng ra (34) và để nó khô hoàn toàn.
- Tháo nắp trên cùng của máy hút bụi (12), mở lớp phủ của bộ lọc (43) và để cả hai khô hoàn toàn.

Làm sạch bộ lọc tự động/thủ công (xem hình M)**Làm sạch bộ lọc tự động**

Lưu ý: Làm sạch bộ lọc tự động được đặt theo tiêu chuẩn khi bật máy hút bụi.

Hiển thị LED A (5) sáng liên tục.

Khi làm sạch bộ lọc tự động, bộ lọc gấp nếp phẳng (34) được làm sạch 15 s một lần bằng 2 luồng không khí (tiếng ồn xung).

Khi thường xuyên sử dụng chức năng làm sạch bộ lọc, thời gian dừng của bộ lọc tăng thêm.

Để đạt thời gian dừng bộ lọc tự động, chỉ bỏ kích hoạt làm sạch bộ lọc tự động trong một số trường hợp ngoại lệ, ví dụ khi hút ẩm.

Làm sạch bộ lọc thủ công

Hãy nhấn nút làm sạch bộ lọc thủ công (7), để tiến hành làm sạch bộ lọc thủ công. Bộ lọc gấp nếp phẳng (34) được làm sạch bằng 2 luồng không khí. Đèn thị LED M (6) sáng trắng trong 2 s. Nếu hiển thị LED M (6) tắt, có thể kích hoạt luồng không khí tiếp theo. Muốn vậy, hãy nhấn lại nút làm sạch bộ lọc thủ công (7).

Lưu ý: Khi làm sạch bộ lọc thủ công, hãy đảm bảo rằng khoảng thời gian giữa mỗi lần nhấn nút là 2–3 s. Nhấn liên tục nút làm sạch bộ lọc thủ công (7) sẽ kích hoạt chức năng chống quá nhiệt của máy hút bụi. Chống quá nhiệt bị hủy bỏ tự động sau vài giây (xem „Loại bỏ trục trặc“, Trang 101).

Để tắt làm sạch bộ lọc thủ công, hãy nhấn nút làm sạch bộ lọc tự động (8).

Bộ lọc gấp nếp phẳng bị bẩn ở bề mặt vẫn hoạt động hiệu quả. Vệ sinh bộ lọc gấp nếp bằng tay bằng cách đập hoặc thổi là không cần thiết và thậm chí còn làm hư hỏng bộ lọc.

Bảo Dưỡng và Bảo Quản**Bảo Dưỡng Và Làm Sạch**

► **Hãy tháo phích cắm ra khỏi ổ cắm điện, trước khi bạn bảo dưỡng hoặc làm sạch, điều chỉnh thiết bị, thay phụ kiện, hoặc để xa máy hút bụi.** Biện pháp thận trọng sẽ tránh việc khởi động máy hút bụi không chủ ý.

► **Để sự hoạt động an toàn và bình thường, luôn luôn giữ máy hút bụi và các khe thông gió được sạch.**

Nếu như cần phải thay dây dẫn điện thì công việc này phải do hãng **Bosch**, hay một đại lý được **Bosch** ủy nhiệm thực hiện để tránh gặp sự nguy hiểm do mất an toàn.

► **Mang khẩu trang khi bảo trì và làm sạch máy hút bụi.**

Thỉnh thoảng lau sạch vỏ của máy hút bụi bằng vải ẩm.

► **Không vệ sinh máy hút bụi bằng khí nén.** Bộ lọc hoặc các thành phần khác có thể bị hư hỏng. Ít nhất mỗi năm một lần, máy hút bụi phải được kiểm tra bụi bởi nhà sản xuất hoặc người được đào tạo (ví dụ: kiểm tra bộ lọc xem có bị hỏng không, kiểm tra độ kín ở máy hút bụi và kiểm tra chức năng chính xác ở các thiết bị điều khiển).

Làm sạch và bảo trì sau khi hút các chất có hại cho sức khỏe

– Hãy coi tất cả các bộ phận có thể đã tiếp xúc với chất độc hại đều bị nhiễm bẩn.

- Hút bụi, lau kỹ hoặc bịt kín bên ngoài máy hút bụi trước khi tháo nó ra khỏi khu vực có chất gây nguy hiểm cho sức khỏe.
- Chỉ làm sạch, tháo dỡ và bảo trì máy hút bụi, nếu không có nguy hiểm cho bạn và người khác. Mang thiết bị bảo vệ cá nhân khi bảo trì và làm sạch. Hãy tiến hành các công việc trong phòng được thông khí tốt.
- Trước hết, hãy làm sạch mặt ngoài của máy hút bụi, trước khi tháo ra.
- Thải bỏ tất cả bộ phận của máy hút bụi không thể làm sạch kỹ trong túi không thấm nước. Vui lòng tuân thủ các quy định hiện hành về việc xử lý chất thải đó.
- Sau khi hoàn thành công việc, hãy làm việc khu vực bảo trì.

Vệ sinh khoang chứa

Thỉnh thoảng, lau sạch khoang chứa (1) bằng chất tẩy không mài mòn thông thường và để khô.

Làm sạch/thay bộ lọc gấp nếp phẳng (xem hình N–O)

- ▶ **Khi mở nắp bộ lọc, hãy nắm lấy mấu khóa và đảm bảo rằng nắp bộ lọc đã mở khớp vào vị trí thẳng đứng.** Nếu nắp bộ lọc rơi xuống, nó sẽ gây nguy cơ thương tích.

Công suất hút phụ thuộc vào tình trạng bộ lọc. Do đó, bạn hãy làm sạch bộ lọc thường xuyên.

Thay bộ lọc gấp nếp phẳng bị hỏng (34) ngay lập tức.

- Kéo tại nắp đóng (26) và xoay lớp phủ của bộ lọc (43) lên trên cho đến khi nó khớp vào vị trí thẳng đứng.
- Cắm vào bộ lọc gấp nếp phẳng (34) tại các thanh mỏng và kéo ra hướng lên trên.
- Loại bỏ bụi bẩn xuất hiện khi tháo bộ lọc gấp nếp phẳng (34) khỏi mép khoang chứa (1) bằng vải ẩm.
- Bộ lọc gấp nếp phẳng có thể được rửa dưới nước chảy.
- Sử dụng bộ lọc gấp nếp mới hoặc sạch (34) và chú ý vị trí đặt an toàn và chính xác.
- Đóng nắp bộ lọc (43) cho đến khi nghe thấy tiếng khớp vào.

Làm sạch bộ sơ bộ (xem hình P)

- ▶ **Không được làm sạch ướt bộ lọc sơ bộ.**
- ▶ **Không với tay từ phía trên vào giữa khung dẫn hướng và máy hút bụi để mở khóa nắp bộ lọc sơ bộ.** Nếu không bạn có thể bị kẹt tay.

Kéo khung dẫn hướng (42) lên trên đến khi nắp bộ lọc sơ bộ có thể tiếp cận dễ dàng từ phía sau.

Nhấn nút mở khóa (28) của nắp bộ lọc sơ bộ (27) và lấy ra khỏi ngăn bộ lọc sơ bộ.

Hãy tháo bộ lọc sơ bộ (44) ra.

Hãy chải sạch các bản mỏng của bộ lọc sơ bộ bằng bàn chải mềm.

Hãy đặt bộ lọc sơ bộ vào nắp bộ lọc sơ bộ (27).

Hãy lắp nắp bộ lọc sơ bộ (27) vào ngăn bộ lọc sơ bộ và gắp vào.

Làm sạch cảm biến mức nạp (xem hình Q–R)

Rút phích cắm của máy hút bụi ra khỏi ổ cắm.

Tháo nắp trên của máy hút bụi (12).

Làm rỗng thùng chứa (1).

Di chuyển phao đo (46) hoặc gỗ nhẹ để loại bỏ bụi bẩn.

Làm sạch phao đo (46) bằng vải mềm.

Nếu cần, bạn cũng có thể tháo phao đo. Muốn vậy, hãy nhấn vào khóa (47) và lấy phao đo (46) ra.

Làm sạch nam châm (48) bằng bàn chải.

Lắp lại phao đo (46).

Cất Giữ và Vận Chuyển

- Xoắn dây điện vào giá đỡ cáp (19).
- Cắm phụ kiện vào các giá đỡ tương ứng.
- Quấn ống hút mềm đã lắp ráp (29) vào ngăn chứa ống hút mềm. Kéo cả hai dây kéo (13) lên trên và móc vào các lỗ gấn.
- Gắn L-BOXX vào khung (11).
- Tháo túi nhựa/túi bộ lọc nilon ngay khi nó đầy.
- Mang máy hút bụi chỉ bằng tay cầm máy (10).
- Đặt máy hút bụi ở nơi khô ráo với nền phẳng và tránh xa phạm vi của người không được cho phép sử dụng.
- Đá xuống hãm bánh xe nhỏ để khóa bánh xe nhỏ (17) (18).
- Để giúp bạn vận chuyển máy hút bụi dễ dàng và bảo vệ lưng, hãy xả sạch khoang chứa hoặc rút bỏ túi nhựa/túi bộ lọc nilon đầy.
- Mở khóa hãm bánh xe nhỏ (18) để đẩy hoặc kéo máy hút bụi.
- Chỉ sử dụng khung dẫn hướng đã mở rộng (42) để đẩy hoặc kéo máy hút bụi. Không được kéo máy hút bụi qua cầu thang bằng khung dẫn hướng. Muốn vậy, cần sử dụng tay xách.
- Khi mang máy hút bụi lên cầu thang, hãy đảm bảo không có người nào khác ở ngay phía sau bạn để phòng trường hợp máy hút bụi bị rơi bất ngờ.

Loại bỏ trực trực

- ▶ **Nếu xảy ra sự cố (ví dụ như vỡ bộ lọc), máy hút bụi phải được tắt ngay lập tức. Trước khi khởi động lại, phải loại bỏ lỗi.**

Vấn đề	Biện Pháp Sửa Chữa
Tuabin hút chưa khởi động.	Kiểm tra cáp nối điện nguồn, phích cắm điện nguồn, cầu chì, ổ cắm và cảm biến mức nạp (45). Công tắc chính (2) ở vị trí „Hệ thống khởi động/dừng tự động“. Đặt công tắc chính (2) thành biểu tượng "Hút" hoặc cắm dụng cụ điện đã kết nối vào ổ cắm (4).
Tuabin hút tắt.	Khi hút ướt, các hiển thị LED A và M nhấp nháy chậm và đồng thời. Làm rỗng thùng chứa (1). Khi hút khô, các hiển thị LED A và M nhấp nháy nhanh và đồng thời: Chống quá tải ổ cắm tại máy hút bụi được kích hoạt. Tắt dụng cụ điện.
Máy hút bụi tắt.	Máy hút bụi quá tải do vượt quá điện áp tối đa của ổ cắm trên máy hút bụi: Cầu chì bảo vệ động cơ được kích hoạt. Hãy gửi máy hút bụi đến trung tâm dịch vụ khách hàng được ủy quyền của Bosch .
Tuabin hút chưa khởi động lại sau khi làm rỗng thùng chứa.	Tắt máy hút bụi và chờ 5 s, sau 5 s hãy bật lại. Làm sạch cảm biến mức nạp (45) cũng như khoảng trống của cảm biến mức nạp (45) bằng bàn chải.
Giảm lực hút.	Loại bỏ các chất tắc nghẽn từ vòi hút, ống hút cứng, ống hút mềm (29) hoặc bộ lọc gấp nếp phẳng (34). Thay túi nhựa (32)/túi bộ lọc ní (40). Gài chính xác nắp bộ lọc (43). Đậy khít nắp trên cùng của máy hút bụi (12) và đóng các khóa (15). Thay thế bộ lọc gấp nếp (34).
Phát thải bụi khi hút bụi	Kiểm tra việc lắp đặt bộ lọc gấp nếp phẳng (34) chính xác. Thay thế bộ lọc gấp nếp (34).
Chế độ tự động tắt (Hút bụi ẩm) không phản hồi.	Làm sạch cảm biến mức nạp (45) cũng như khoảng trống của cảm biến mức nạp (45) bằng bàn chải. Kiểm tra mức nạp đầy ngay lập tức.
Chế độ vệ sinh bộ lọc tự động không làm việc.	Chuyển sang chế độ thủ công bằng cách nhấn nút làm sạch bộ lọc thủ công (7). Nếu sự cố vẫn tiếp tục, hãy liên lạc với trung tâm dịch vụ khách hàng được ủy quyền Bosch .
Làm sạch bộ lọc thủ công không được kích hoạt.	Chống quá nhiệt máy hút bụi được kích hoạt. Nhấn liên tục nút làm sạch bộ lọc thủ công (7) 10 lần sẽ kích hoạt chức năng chống quá nhiệt. Chống quá nhiệt bị hủy bỏ tự động sau 20 s. Nhấn liên tục nút làm sạch bộ lọc thủ công (7) 30 lần sẽ kích hoạt chức năng chống quá nhiệt. Chống quá nhiệt bị hủy bỏ tự động sau 4 phút. Nếu sự cố vẫn tiếp tục, hãy liên lạc với trung tâm dịch vụ khách hàng được ủy quyền Bosch .
Làm sạch bộ lọc tự động không được kích hoạt.	Hãy liên lạc với trung tâm dịch vụ khách hàng được ủy quyền Bosch .

Dịch vụ hỗ trợ khách hàng và tư vấn sử dụng

Bộ phận phục vụ hàng sau khi bán của chúng tôi trả lời các câu hỏi liên quan đến việc bảo dưỡng và sửa chữa các sản phẩm cũng như phụ tùng thay thế của bạn. Sơ đồ mô tả và thông tin về phụ tùng

thay thế cũng có thể tra cứu theo dưới đây:

www.bosch-pt.com

Đội ngũ tư vấn sử dụng của Bosch sẽ giúp bạn giải đáp các thắc mắc về sản phẩm và phụ kiện.

Trong tất cả các phản hồi và đơn đặt phụ tùng, xin vui lòng luôn luôn nhập số hàng hóa 10 chữ số theo nhãn của hàng hóa.

Việt Nam

CN CÔNG TY TNHH BOSCH VIỆT NAM TẠI

TP.HCM

Tầng 14, Ngôi Nhà Đức, 33 Lê Duẩn

Phường Bến Nghé, Quận 1, Thành Phố Hồ Chí Minh

Tel.: (028) 6258 3690

Fax: (028) 6258 3692 - 6258 3694

Hotline: 1900 9988 50

Email: tuvankhachhang-pt@vn.bosch.com

www.bosch-pt.com.vn

Xem thêm địa chỉ dịch vụ tại:

www.bosch-pt.com/serviceaddresses

Sự thải bỏ

Máy hút bụi, phụ kiện, bao bì phải được phân loại để tái chế theo hướng thân thiện với môi trường.



Không được vứt bỏ máy hút bụi vào chung với rác sinh hoạt thông thường!

عربي

إرشادات الأمان الخاصة بالشفافة



اقرأ جميع إرشادات الأمان والتعليمات. إن ارتكاب الأخطاء عند تطبيق إرشادات الأمان والتعليمات قد يؤدي إلى حدوث صدمات كهربائية، و إلى نشوب المرائق و/أو الإصابة بجروح خطيرة. احتفظ بجميع الملاحظات التحذيرية والتعليمات للمستقبل.

◀ هذه الشفافة غير مناسبة للاستعمال من قِبَل الأطفال والأشخاص الذين يعانون من نقص في القدرات البدنية أو الحسية أو العقلية أو الذين ليست لديهم الدراية والمعرفة. وإلا فقد ينشأ خطر من الاستخدام الخاطئ أو وقوع إصابات.

◀ قم بمراقبة الأطفال. لضمان عدم عبث الأطفال بالشفافة.

◀ احرص على مراعاة كافة لوائح الأمان الخاصة بالمواد المراد شطفها.

◀ لا تقم أبداً بشطف غبار خشب الزان أو خشب البلوط أو غبار الحجارة أو الأسبستوس. حيث تعتبر هذه المواد من مسببات السرطان.

⚠ تحذير لا تستخدم الشفافة إلا عند توافر معلومات كافية عن

طريقة استخدامها والمواد التي يمكن شطفها وعن التخلص من هذه المواد بشكل آمن. اتباع الإرشادات بعناية يحد من وقوع أخطاء تشغيل أو إصابات.

⚠ تحذير الشفافة مناسبة لشطف المواد الجافة، ويمكن، عبر اتخاذ الإجراءات المناسبة، استخدامها أيضاً في شطف السوائل. يزداد خطر التعرض لصدمة كهربائية في حالة تسرب السوائل.

◀ لا تستخدم الشفافة في شطف السوائل القابلة للاشتعال أو الانفجار، مثل البنزين، الزيت، الكحول، المواد المذيبة. لا تقم بشطف غبار ساخن أو مشتعل أو انفجاري. لا تقم بتشغيل الشفافة في الأماكن المعرضة لخطر الانفجار. من الممكن اشتعال أو انفجار الغبار، والأبخرة والسوائل.

⚠ تحذير استخدم المقبس فقط للأغراض المحددة في دليل

التشغيل.

⚠ تحذير

أوقف الشفافة على الفور في حالة خروج رغوة أو ماء، و قم بتفريغ الوعاء. وإلا فقد تتعرض الشفافة للضرر.

◀ انتبه! لا يجوز تخزين الشفافة في الأماكن المغلقة فقط.

◀ انتبه! قم بتنظيف مستشعرات مستوى ملء السوائل بشكل منتظم، وتأكد من عدم وجود أضرار بها. وإلا فقد يتأثر الأداء الوظيفي سلباً.

◀ إن لم يكن بالإمكان تجنب تشغيل الشفافة في الأجواء الرطبة، فاستخدم مفتاح الوقاية من التيار المتخلف. يقلل استخدام مفتاح الوقاية من التيار المتخلف من خطر التعرض للصدمة الكهربائية.

◀ احرص قبل كل استخدام على إجراء فحص للشفافة والكابل والقابس. لا تستخدم الشفافة في حالة وجود أضرار بها. لا تفتح الشفافة بنفسك، ولا تقم بإصلاحها إلا لدى فنيين متخصصين مؤهلين، واستخدم قطع الغيار الأصلية فقط. يزداد خطر التعرض للصدمة الكهربائية في حالة وجود أضرار بالشفافة أو الكابل أو القابس.

◀ لا تقم بدس الكابل أو تعرضه للانحصار. لا تسحب الكابل بغرض فصل القابس من المقبس أو تحريك الشفافة. تزيد الكابلات الكهربائية التالفة من خطر التعرض لصدمة كهربائية.

◀ احرص القابس عن المقبس قبل صيانة الشفافة أو تنظيفها، وقبل تغيير أوضاع ضبط الجهاز أو الأجزاء الملحقة وقبل وضع الشفافة جانباً. تساهم هذه الإجراءات الاحتياطية في منع التشغيل غير المقصود للشفافة.

◀ قم بتوفير تهوية مناسبة في مكان العمل.

◀ احرص على إصلاح الشفافة لدى فنيين متخصصين مؤهلين فقط، واستخدم قطع الغيار الأصلية، حيث يضمن هذا الحفاظ على سلامة الشفافة.

⚠ تحذير

تحتوي الشفافة على غبار يمثل خطورة على الصحة.

احرص على أن تتم عمليات التفريغ والصيانة، بما في ذلك خلع وعاء تجميع الغبار، من قبل عمال متخصصين فقط. يجب استخدام تجهيزات الوقاية المناسبة. لا تقم بتشغيل الشفافة دون نظام الفلاتر الكامل الذي تم تركيبه بعناية. وإلا فسيكون هناك خطر على صحتك.

◀ تأكد قبل التشغيل أن خرطوم الشفط في حالة سليمة. عند القيام بذلك، اترك خرطوم الشفط مركب على الشفافة، حتى لا يخرج الغبار دون قصد. وإلا فقد يتسبب ذلك في استنشاقك للغبار.

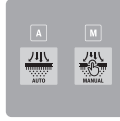
◀ لا تستخدم الشفافة كمقعد للجلوس. قد يؤدي ذلك إلى تلف الشفافة.

◀ استخدم كابل الشبكة الكهربائية وخرطوم الشفط بحرص. فقد يتسبب في تعرض الآخرين للخطر.

◀ لا تقم بتنظيف الشفافة باستخدام تيار ماء موجه بشكل مباشر. يزداد خطر التعرض

الرموز ومعناها

لا تستخدم الشافطة كمقعد للجلوس أو كسلم أو للوقوف عليها. وإلا فقد تقع الشافطة أو تتعرض للضرر. خطر التعرض للإصابة.



A

A

مؤشر LED للوضع الأوتوماتيكي لتنظيف الفلتر

M

M

مؤشر LED للوضع اليدوي لتنظيف الفلتر

زر وظيفة تنظيف الفلتر الأوتوماتيكية



زر التنظيف اليدوي للفلتر



آلية التشغيل/الإيقاف

شفط الغبار المتساقط من العدد الكهربائية المشغلة، تعمل الشافطة أوتوماتيكياً وتتأخر بقدر بسيط عند الإيقاف. المقبس الكهربائي بالشافطة يسري به جهد كهربائي باستمرار.

الإيقاف

المقبس الكهربائي بالشافطة لا يسري به التيار.

الشفط

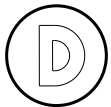
شفط الغبار المتراكم والغبار من نظام الشفط. المقبس الكهربائي بالشافطة يسري به جهد كهربائي باستمرار.

Min/Max

تكمم في قوة الشفط دون تدريج: - أقصى قدرة شفط للتطبيقات التي تؤدي إلى تصاعد الغبار بدرجة كبيرة

- قدرة شفط مخفضة للتطبيقات التي تؤدي إلى تصاعد الغبار بدرجة أقل وللتحكم بقوة الشفط بين العدة الكهربائية الموصلة وسطح قطعة العمل (عند التجليخ مثلاً)

تسجيل البيانات مفعل في هذه الشافطة.



للصدمات الكهربائية في حالة تسرب الماء إلى الجزء العلوي من الشافطة.

◀ **قم بتوصيل الشافطة بشبكة كهربائية مؤرصة بشكل سليم.** يجب أن يحتوي المقبس الكهربائي وكابل الإطالة على وصلة أرضي سليمة.

◀ **لا تستخدم المقبس الكهربائي بالشافطة عند الشفط الرطب أو في البيئات المبتلة.** فقد تتسبب ملامسة الماء في خطر حدوث قفلة كهربائية أو التعرض لصدمة كهربائية.

الرموز

قد تكون الرموز التالية ذات أهمية من أجل استعمال الشافطة. يرجى حفظ الرموز ومعناها. يساعدك تفسير الرموز بشكل صحيح على استعمال الشافطة بطريقة أفضل وأكثر أماناً.

الرموز ومعناها

تحذير! اقرأ جميع إرشادات الأمان والتعليمات. ارتكاب الأخطاء عند تطبيق إرشادات الأمان والتعليمات، قد يؤدي إلى حدوث صدمات كهربائية أو إلى نشوب الحرائق و/أو الإصابة بجروح خطيرة.



الشافطة من فئة الغبار L طبقاً للمواصفة IEC/EN 60335-2-69 مخصصة للشفط الجاف للغبار المضرب بالجملة ذي قيمة تعرض حديثة < 1 مجم/متر³



تحذير! تحتوي الشافطة على غبار يمثل خطورة على الصحة. احرص على أن تتم عمليات التفريغ والصيانة، بما في ذلك خلع وعاء جميع الغبار، من قبل عمال متخصصين فقط. يجب استخدام تجهيزات الوقاية المناسبة. لا تقم بتشغيل الشافطة دون نظام الفلاتر الكامل الذي تم تركيبه بعناية. وإلا فسيكون هناك خطر على صحتك.



لا تقم بتركيب إلا نظام حمل L-BOXX واحد كحد أقصى.

لا يجوز أن يتخطى وزن نظام الحمل L-BOXX بالإضافة إلى محتواه 15 كجم.



قم بتعليق الشافطة على خطاف مرفاع، على سبيل المثال لرفع النقل. الشافطة غير قابلة للرفع. ينشأ خطر وقوع إصابات أو أضرار.



الرموز ومعناها

مواصفات الحمل الموصل المسموح به للعدة الكهربائية المتصلة (حسب البلد)

max.
2100 W
min.
100 W

وصف المنتج والأداء

انتبه للصور في الجزء الأمامي لتعليمات التشغيل.

الاستعمال المخصص

الشافطة مخصصة لجميع أنواع الغبار الجافة غير القابلة للاشتعال والسوائل غير القابلة للاشتعال وشفطها ونقلها وفصلها. تم اختبار الشافطة فنيًا بصدد الأغبرة وهي توافق فئة الغبار L. وهي مناسبة لتلبية المتطلبات العالية في حالة الاستخدام المهني، مثلًا في الأعمال الحرفية والصناعية والورش الفنية.

لا يجوز استخدام الشافطات من فئة الغبار L طبقًا للمواصفة IEC/EN 60335-2-69 إلا في شفط وامتناص للغبار المضر بالصحة ذات قيمة تعرض حدية < 1 مجم/متر³.

استخدم الشافطة فقط إن كنت على دراية بجميع وظائفها بشكل كامل وقادر على تنفيذ هذه الوظائف دون تقييد أو إن كنت قد استلمت التعليمات الموافقة.

الأجزاء المصورة

تستند أرقام الأجزاء المصورة إلى صور الشافطة على صفحات الرسوم التخطيطية.

- (13) شريط السحب
 - (14) فتحة التثبيت
 - (15) قفل الجزء العلوي من الشافطة
 - (16) عجلة
 - (17) عجلة توجيه
 - (18) مكعب عجلة التوجيه
 - (19) حامل الكابل
 - (20) قضبان التوجيه لممسك التوجيه القابل للإخراج
 - (21) نطاق المسك الخلفي
 - (22) حامل فوهة الأرضيات
 - (23) فوهة الأرضيات
 - (24) فوهة الفرشات كومبي
 - (25) مهايئ الشفط كومبي (للعدة الكهربائية)
 - (26) طرف غلق غطاء الفلتر
 - (27) غطاء الفلتر الأولي
 - (28) زر فك إقفال الفلتر الأولي
 - (29) خرطوم الشفط
 - (30) ماسورة الشفط
 - (31) القطعة المنحنية
 - (32) كيس بلاستيكي
 - (33) فتحة مرور الهواء
 - (34) فلتر الطيات المسطح
 - (35) زر انضغاطي لخرطوم الشفط
 - (36) مهايئ PowerTool (الجزء الأمامي)
 - (37) مهايئ PowerTool (الجزء الخلفي)
 - (38) زر فك إقفال فوهة الفرشات كومبي
 - (39) حامل كيس الفلتر القماشي^(a)
 - (40) كيس الفلتر القماشي^(a)
 - (41) زر انضغاطي لممسك التوجيه^(a)
 - (42) ممسك توجيه قابل للإخراج^(a)
 - (43) غطاء فلتر الطيات المسطح
 - (44) الفلتر الأولي
 - (45) مستشعر مستوى الملء
 - (46) عوامة
 - (47) قفل العوامة
 - (48) مغناطيس
- (a) إن هذه التوابع ليست محتواة ضمن إطار التوريد الاعتيادي.

(1) الوعاء

(2) المفتاح الرئيسي

(3) حاضن الخرطوم

(4) مقبس العدة الكهربائية

(5) مؤشر A LED للوضع الأوتوماتيكي لتنظيف الفلتر

(6) مؤشر M LED للوضع اليدوي لتنظيف الفلتر

(7) زر التنظيف اليدوي للفلتر

(8) زر وظيفة تنظيف الفلتر الأوتوماتيكية

(9) مفتاح التحكم في قدرة الشفط

(10) مقبض حمل

(11) حاضن نظام الحمل L-BOXX

(12) الجزء العلوي من الشافطة

البيانات الفنية

GAS 400 A		GAS 400 A		شافطة المواد الجافة/الرطبة
... 0D0/... 0G0	... 020/... 0F0			رقم الصنف ... 3 601 JM0
... 0C0	... 080/... 0E0/... 0N0			
... 060	... 0K0			
	... 0L0/... 070			
	... 0H0			
	... 030			

شافطة المواد الجافة/الرطبة		GAS 400 A	
قدرة الدخل الاسمية	واط	1200	1200
التردد	هرتز	60-50	60
سعة الوعاء (الإجمالية)	لتر	40	40
السعة الصافية (جافة)	لتر	28	26
السعة الصافية (السائل)	لتر	20	18
ضغط التفريغ ^(A)			
- الشافطة	هيكثوباسكال	200	180
- التوربينة	هيكثوباسكال	230	200
كمية التدفق ^(A)			
- الشافطة	لتر/ث	28	26
	متر ³ /ساعة	100,8	93,6
- التوربينة	لتر/ث	71,5	70
	متر ³ /ساعة	257	252
فئة الغبار		L	L
الوزن ^(B)	كجم	14,0	14,5
فئة الحماية		I/⊕	I/⊕
نوع الحماية		IPX4	IPX4

(A) يتم القياس في وجود خرطوم الشفط بقطر 28 مم وبطول 4 م

(B) الوزن دون وصلة الكهرباء ودون قاييس الكهرباء

تسري البيانات على القيم الاسمية المقررة. قد تختلف تلك البيانات حسب اختلاف الجهد والطاقات الخاصة بكل دولة.

قد تختلف القيم حسب المنتج وظروف الاستخدام والبيئة. المزيد من المعلومات على موقع الإنترنت www.bosch-professional.com/wac.

المقبس الكهربائي بالشافطة

الحمل الموصل المسموح به للعدة الكهربائية المتصلة			
3 601 JM0 ...	الجهود الاسمي	أقصى قدرة	أدنى قدرة
... 020/... 0F0	230 فلت	2100 واط	100 واط
... 080/... 0E0/... 0N0	220 فلت	2100 واط	100 واط
... 0K0	220-230 فلت	2100 واط	100 واط
... 0L0/... 070	220-240 فلت	1660 واط	100 واط
... 0H0	220 فلت	1000 واط	100 واط
... 030	230 فلت	1100 واط	100 واط
... 0D0/... 0G0	127 فلت	705 واط	100 واط
... 0C0	115 فلت	525 واط	100 واط
... 060	110 فلت	560 واط	100 واط

بيان الحمل الموصل المسموح به للعدة الكهربائية المتصلة.

قد تختلف الموديلات الأخرى الخاصة ببعض الدول عن هذه القيم. يرجى مراعاة البيانات الموجودة على مقبس شافطة الغبار.

التركيب

◀ أفضل القابس عن المقبس قبل صيانة الشافطة أو تنظيفها، وقبل تغيير أوضاع ضبط الجهاز أو الأجزاء الملحقة وقبل وضع الشافطة جانبًا. تساهم هذه الإجراءات الاحتياطية في منع التشغيل غير المقصود للشافطة.

تركيب توابع الشفط (انظر الصورة A)

خرطوم الشفط (29) مجهز بنظام تثبيت، يمكن عن طريقه توصيل تابع الشفط (مهايئ شفط كومي) (25)،

القطعة المنحنية (31)، فوهة الفرشات كومي (24).

تركيب القطعة المنحنية

- أدخل القطعة المنحنية (31) في خرطوم الشفط (29) إلى أن يثبت الزران الانضغاطيان (35) لخرطوم الشفط بصوت مسموع.
- لغرض الفك اضغط على الزر الانضغاطي (35) للدخول واخلع الأجزاء التركيبية من بعضها البعض.

شفط المضادة للشحنات الاستاتيكية (التواج) عند شفط الأتربة الناعمة والخامات الجافة.

تثبيت خرطوم الشفط في الشافطة (انظر الصورة E)

قم بلف خرطوم الشفط المركب (29) حول حامل خرطوم الشافطة. اسحب شريطي الشد (13) إلى أعلى وقم بشبكهما في فتحات التثبيت (14).

إدخال كيس بلاستيكي/إخراجه (الشفط الجاف) (انظر الصورة F)

افتح القفلين (15) واخلع الجزء العلوي للشافطة (12).

للشفط الجاف قم بإدخال كيس بلاستيكي (32) في الوعاء (1).

ضع الكيس البلاستيكي (32) في الوعاء (1) بينما فتحة الملء موجهة لأعلى.

تأكد أن الكيس البلاستيكي (32) ملتصق تماما بالجدران الداخلية للوعاء (1).

اطو بقية الكيس البلاستيكي (32) فوق حافة الوعاء (1). احرص على أن يكون خط مصد الكيس البلاستيكي على حافة الوعاء وعلى أن تظل فتحات تدفق الهواء (33) بالوعاء.

أعد تركيب الجزء العلوي للشافطة (12) وقم بإغلاق الشافطة باستخدام الإقفال (15).

تأكد دائماً أن الشافطة مغلقة بشكل جيد.

قم بإغلاق الكيس البلاستيكي قبل إخراجه. أمسك فتحة الكيس من أعلى واستخدم شريط لربط الكيس.

تركيب/إخراج كيس الفلتر القماشي (الشفط الجاف) (انظر الصور G-H)

للشفط الجاف للمواد الموافقة لفئة الغبار L يمكنك تركيب كيس فلتر قماشي (40) (تواج).

طالما يتم شفط خامات ليس لها قيمة تعرض حدية أو بقيمة تعرض حدية ≤ 1 مجم/م³ (وفقاً لفئة الغبار L) يمكن الشفط مباشرة في الوعاء.

إرشاد: قم بإيقاف وظيفة التنظيف الأوتوماتيكي للفلتر عند استخدام كيس الفلتر القماشي (انظر „وظيفة التنظيف الأوتوماتيكي/اليدوي للفلتر (انظر الصورة M)“، الصفحة 110).

تحذير تحتوي الشافطة على غبار يمثل خطورة على الصحة.

احرص على أن تتم عمليات التفريغ والصيانة، بما في ذلك خلع وعاء تجميع الغبار، من قبل عمال متخصصين فقط. يجب استخدام تجهيزات الوقاية المناسبة. لا تقم بتشغيل الشافطة دون نظام الفلاتر الكامل الذي تم تركيبه بعناية. وإلا فسيكون هناك خطر على صحتك.

افتح الأقفال (15) واخلع الجزء العلوي للشافطة (12).

لغرض التركيب قم بإدخال كيس الفلتر القماشي (40) في حامل كيس الفلتر القماشي (39) وضع كيس الفلتر القماشي (40) مع حامل كيس الفلتر القماشي (39) في الوعاء (1).

لغرض الإخراج قم بغلاق فتحة كيس الفلتر القماشي الممتلئ من خلال السحب من القفل. اخلع كيس

تركيب فوهة الأرضيات والأنايب

– عند اللزوم أدخل أنابيب الشفط (30) في بعضها البعض بإحكام وثبتها في القطعة المنحنية (31) بإحكام.

– أدخل فوهة الأرضيات (23) بإحكام في أنبوب الشفط (30) أو القطعة المنحنية (31).

تركيب مهائى الشفط كومبي

يتكون مهائى الشفط كومبي (25) مهائى PowerTool (الجزء الأمامي) (36) مهائى PowerTool (الجزء الخلفي) (37).

مهائى الشفط كومبي (25) متوافق مع عدد بوش الكهربائية.

يمكن استخدام مهائى PowerTool (الجزء الخلفي) (37) بقطر داخلي يبلغ 38,5 مم و قطر

خارجي يبلغ 45 مم مع عدد كهربائية لجهات صناعة أخرى.

قم بإدخال مهائى PowerTool (الجزء الأمامي) (36) في مهائى PowerTool (الجزء الخلفي) (37) وقم بتوصيل المهائين من خلال إدارتهما في اتجاهين مختلفين (انظر الصورة B).

أدخل مهائى الشفط كومبي (25) في خرطوم الشفط (29). إلى أن يثبت الزران الانضغاطيان (35) لخرطوم الشفط بصوت مسموع.

لغرض الفك اضغط على الأزرار الانضغاطية (35) للداخل واخلع مهائى الشفط كومبي من خرطوم الشفط.

لفصل المهائين قم بفك الاتصال من خلال الإدارة في اتجاهين مختلفين، وقم بخلع المهائين من بعضهما.

تركيب فوهة الفرشات كومبي

أدخل فوهة الفرشات كومبي (24) في خرطوم الشفط (29)، إلى أن يثبت الزران الانضغاطيان (35) لخرطوم الشفط بصوت مسموع.

لغرض الفك اضغط على الزر الانضغاطي (35) للداخل واخلع الأجزاء التركيبية من بعضها البعض.

ضبط فوهة الفرشات كومبي (انظر الصورة C)

يمكنك استخدام فوهة الفرشات كومبي (24) كفوهة شقوق أو فرشاة.

اضغط على زر تمرير الإقفال (38) وحرك الفرشاة إلى الأمام، لاستخدام فوهة الفرشاة كومبي (24) كفرشاة.

اضغط زر التمرير (38) واسحب الفرشاة إلى الخلف، لاستخدام فوهة الفرشات كومبي (24) كفوهة شقوق.

تركيب خرطوم الشفط (انظر الصورة D)

ضع خرطوم الشفط (29) على حاضن الخرطوم (3) وأدره في اتجاه حركة عقارب الساعة حتى النهاية.

ملاحظة: أثناء الشفط ينشأ احتكاك الغبار

بخرطوم الشفط وبتواج الشافطة شحنة كهروستاتيكية يمكن أن يحس بها المستخدم في شكل تفريغ إلكتروستاتيكي (تبعاً للظروف المحيطة ودرجة حساسية جسم المستخدم).

بشكل عام، توصي شركة بوش باستخدام خرطوم

لا يجوز أساساً استخدام الشافطة في المجرات المعرضة لخطر الانفجار.
لضمان قدرة شفط مثالية يجب دائماً فك خرطوم الشفط (29) بشكل كامل من الجزء العلوي للشافطة (12).

التحكم في قوة الشفط

يمكن عن طريق منظم قدرة الشفط (9) التحكم في قوة الشفط دون تدريج.

قم بضبط منظم قدرة الشفط (9) للتطبيقات التي تؤدي إلى تصاعد الغبار بدرجة كبيرة على أقصى قدرة شفط.

اضبط منظم قدرة الشفط (9) للتطبيقات التي تؤدي إلى تصاعد الغبار بدرجة أقل وللتحكم، على سبيل المثال بقوة الشفط بين العدة الكهربائية الموصلة وسطح قطعة العمل (عند التجليخ مثلاً) على وضع قدرة الشفط المخفضة.

المقيس الكهربائي بالشافطة

◀ **تُراعى قدرة التوصيل المسموحة للمقيس الكهربائي بالشافطة.** تخطي قدرة التوصيل القصوى المسموحة قد يؤدي إلى فرط التحميل على الشافطة. ينطلق مصهر حماية المحرك. أرسل الشافطة إلى أحد مراكز خدمة عملاء Bosch المعتمدة.

بمجرد إدخال القابس الكهربائي للشافطة في المقبس الكهربائي بينما المفتاح الرئيسي على الوضع 1 يسري جهد بالمقيس الكهربائي للعدد الكهربائي (4). يمكن استخدامه كوصلة تيار خارجية بالشافطة، على سبيل المثال عند العمل باستخدام أنظمة شفط. في الوضع 1+ تكون آلية التشغيل/الإيقاف لشافطة الغبار مفعلة. يمكن عن طريق العدة الكهربائية الموصلة تشغيل الشافطة عن بعد.

الشفط الجاف

شفط الغبار المتراكم

لغرض تشغيل الشافطة أدر المفتاح الرئيسي (2) إلى الوضع 1.



لغرض إيقاف الشافطة، أدر المفتاح الرئيسي (2) إلى الوضع 0.



شفط الغبار المتساقط من العدة الكهربائية المشغلة (انظر الصورة L)

◀ **يجب أن يكون معدل تغيير الهواء كافيًا في الغرفة في حالة رجوع العادم إلى الغرفة.** تراعى التعليمات المحلية المعنية.

يوجد بالشافطة مقيس كهربائي مدمج للعدد الكهربائي (4). يمكنك توصيل عدة كهربائية خارجية في هذا المقيس الكهربائي. تراعى قدرة التوصيل القصوى المسموحة بالعدة الكهربائية الموصلة.

قم بتركيب مهائئ الشفط كوميبي (25) (انظر الصورة B).

أدخل مهائئ الشفط كوميبي (25) في فوهة شفط العدة الكهربائية.

الفلتر القماشي المغلق (40) من حامل كيس الفلتر القماشي (39) وأخرجه من الشافطة.
أعد تركيب الجزء العلوي للشافطة (12)، ومن خلال غلق الأقفال (15) قم بربط الوعاء (1) بالجزء العلوي للشافطة (12).

تركيب نظام الحمل L-BOXX (انظر الصورة A)

لنقل الشافطة ولتخزين ملحقات الشفط و/أو العدة الكهربائية في أصغر مكان ممكن يمكنك تركيب نظام حمل L-BOXX على الجزء العلوي من الشافطة.

تثبيت خرطوم الشفط في الشافطة (انظر الصورة E).
قم بتركيب نظام الحمل L-BOXX على المواضع (11).

◀ **لا تقم بالشفط بينما نظام الحمل L-BOXX مركب.** ينتقل مركز ثقل الشافطة إلى أعلى. يمكن أن تنقلب الشافطة. ينشأ خطر وقوع إصابات أو أضرار.

◀ **لا تمسك الشافطة من مقبض نظام الحمل L-BOXX المركب.** فالشافطة ثقيلة للغاية بالنسبة لمقبض نظام الحمل L-BOXX. ينشأ خطر وقوع إصابات أو أضرار.

تركيب ممسك التوجيه القابل للإخراج (توابع) (انظر الصور J-K)

إرشاد: لا يمكن فك ممسك التوجيه القابل للإخراج. احرص أثناء التركيب على مراعاة المماذاة الصحيحة للممسك التوجيه.

قم بمحاذاة ممسك التوجيه (42) قبل التركيب بمساعدة العلامة R (يمينًا) و L (يسارًا).

قم بتركيب ممسك التوجيه (42) في قضبان التوجيه (20).

اضغط ممسك التوجيه (42) إلى أسفل حتى خط المصد، إلى أن يثبت ممسك التوجيه.

اضغط على الزر الانضغاطي (41)، لتغيير طول ممسك التوجيه (42).

التشغيل

◀ **افصل القابس عن المقيس قبل صيانة الشافطة أو تنظيفها، وقبل تغيير أوضاع ضبط الجهاز أو الأجزاء الملحقة وقبل وضع الشافطة جانبًا.** تساهم هذه الإجراءات الاحتياطية في منع التشغيل غير المقصود للشافطة.

بدء التشغيل

◀ **انتبه إلى جهد الشبكة الكهربائية! يجب أن يتطابق جهد منبع التيار مع المعلومات المذكورة على لوحة صنع الشافطة.**

◀ **استعلم عن التشريعات/القوانين السارية في بلدك المتعلقة بالتعامل مع الأتربة التي تمثل خطورة على الصحة.**

يسمح باستخدام الشافطة الخوائية لشفط ومص المواد التالية:

– أنواع الغبار ذات قيمة تعرض حدية < 1 مجم/م³

شفط السوائل

أوقف الشافطة على الفور
في حالة خروج رغوة أو ماء،

وقم بتفريغ الوعاء. وإلا فقد تتعرض الشافطة للضرر.

لغرض **تشغيل الشافطة**، أدر المفتاح الرئيسي (2) إلى الوضع 1.

الشافطة مزودة بمستشعرات مستوى الملء (45). في حالة الوصول إلى أقصى مستوى ملء، تنطفئ الشافطة أوتوماتيكيًا وبمض مؤشرا (5) LED A و M (6) في الوقت نفسه مرة واحدة كل ثانية. تكون واقية إعادة التشغيل مفعلة، ويمكن إيقاف تفعيلها من خلال تشغيل/إيقاف الشافطة مرة واحدة.

إرشاد: قم بفحص مستوى الملء بانتظام، وQم بتفريغ الوعاء في الوقت المناسب.

لغرض **إيقاف الشافطة**، أدر المفتاح الرئيسي (2) إلى الوضع 0.

أمسك الوعاء (1) من نطاق المسك الخلفي (21) وحركه إلى الأمام لتفريغ السائل.

بعد الشفط الرطب

قم بعد كل تنظيف رطب بتنظيف مستشعر مستوى الملء (45) (انظر „تنظيف مستشعر مستوى الملء“ (انظر الصور (Q-R)“، الصفحة 111).

لتجنب حدوث تعفن بعد عمليات الشفط الرطب:

- أخرج فلتر الطيات المسطح (34) واتركه كذلك لييجف جيدًا.
- اخلع الجزء العلوي للشافطة (12) وافتح غطاء الفلتر (43) واتركهما حتى يجفًا جيدًا.

وظيفة التنظيف الأوتوماتيكي/اليدوي
للفلتر (انظر الصورة M)

وظيفة التنظيف الأوتوماتيكي للفلتر

إرشاد: تكون وظيفة التنظيف الأوتوماتيكي للفلتر مضبوطة بشكل قياسي عند تشغيل الشافطة.

يضيء مؤشر (5) LED A بشكل مستمر.

في حالة وظيفة التنظيف الأوتوماتيكي للفلتر يتم تنظيف فلتر الطيات المسطح (34) كل 15 ثانية بواسطة دفعتي هواء (ضوءًا صاخبة).

يؤدي الاستعمال المنتظم لوظيفة تنظيف الفلتر إلى زيادة عمره الافتراضي.

للوصول إلى عمر افتراضي مثالي للفلتر لا تقم بإيقاف تفعيل وظيفة التنظيف الأوتوماتيكي للفلتر إلا في حالات استثنائية، على سبيل المثال في حالة عمليات الشفط الرطب.

التنظيف اليدوي للفلتر

اضغط على زر وظيفة التنظيف اليدوي للفلتر (7). لإجراء التنظيف اليدوي للفلتر. يتم تنظيف فلتر الطيات المسطح (34) من خلال دفعتي هواء. يضيء مؤشر (6) LED M لمدة ثابنتين باللون الأبيض. عندما ينطفئ مؤشر (6) LED M يمكن إطلاق دفعة الهواء التالية. لهذا اضغط على زر التنظيف اليدوي للفلتر (7) مجددًا.

إرشاد: انتبه إلى أنه في حالة التنظيف اليدوي للفلتر ينبغي أن يكون الفاصل الزمني بين كل ضغط زر 2-3 ث. يتسبب الضغط المستمر عدة مرات على زر

لغرض **تشغيل آلية التشغيل/الإيقاف** الخاصة بالشافطة أدر المفتاح الرئيسي (2) على الوضع 1+.

لغرض **تشغيل الشافطة** قم بتشغيل العدة الكهربائية الموصلة بالمقبس (4). تبدأ الشافطة في العمل أوتوماتيكيًا.

قم بإطفاء العدة الكهربائية، لغرض **إنهاء الشفط**. تستمر وظيفة التشغيل اللاحق الخاصة بآلية التشغيل/الإيقاف لمدة تصل إلى 15 ث، لشفط بقايا الغبار من خرطوم الشفط.

لغرض **إيقاف الشافطة**، أدر المفتاح الرئيسي (2) إلى الوضع 0.

استخدام نظام الشفط (توابع)

قم بتوصيل نظام الشفط بخرطوم الشفط (29).

لشفط الغبار عبر نظام الشفط أدر المفتاح الرئيسي (2) إلى الوضع 1.

ثبت نظام الشفط على الجدار وQم بتشغيل العدة الكهربائية. يلتصق نظام الشفط تلقائيًا من خلال ضغط التفريغ الناشئ.

قم بإيقاف العدة الكهربائية وأبعد نظام الشفط بحرص عن الجدار.

لغرض **إيقاف الشافطة**، أدر المفتاح الرئيسي (2) إلى الوضع 0.

الشفط الرطب

◀ لا تستخدم الشافطة في شفط السوائل القابلة للاشتعال أو الانفجار، مثل البنزين، الزيت، الكحول، المواد المذيبة. لا تقم بشفط غبار ساخن أو مشتعل أو انفجاري. لا تقم بتشغيل الشافطة في الأماكن المعرضة لخطر الانفجار. من الممكن اشتعال أو انفجار الغبار، والأبخرة والسوائل.

◀ لا يجوز استخدام الشافطة كمضخة ماء. هذه الشافطة مخصصة لشفط خليط من الهواء والماء.

ملحوظة: تم التحقق من اشتراطات درجة النفاذ (فئة الغبار L) للشفط الجاف فقط.

قبل الشفط الرطب

قم بتفريغ الوعاء (1) وأخرج الكيس البلاستيكي (32) أو كيس الفلتر القماشي (40).

افحص مستشعر مستوى الملء (45) من حيث وجود اتساخات. يتبع مستشعر مستوى الملء التنظيف فقط إيقاف الأوتوماتيكي للشافطة عند الوصول إلى مستوى الملء الكامل للوعاء (انظر „تنظيف مستشعر مستوى الملء“ (انظر الصور (Q-R)“، الصفحة 111).

◀ أثناء الشفط الرطب يجب أن تكون وظيفة التنظيف الأوتوماتيكي للفلتر متوقفة.

اضغط على زر التنظيف الأوتوماتيكي للفلتر (8) لتفعيل وظيفة التنظيف الأوتوماتيكي للفلتر (انظر „التنظيف اليدوي للفلتر“، الصفحة 110). وبذلك يتم إيقاف تفعيل الوظيفة الأوتوماتيكية لتنظيف الفلتر وينطفئ مؤشر (5) LED A.

تنظيف الوعاء

امسح الوعاء (1) من وقت لآخر من الداخل بواسطة مواد تنظيفية متداولة غير صاقلة ودعه يجف.

**تنظيف/تغيير فلتر الطيات المسطح
(انظر الصور N-O)**

◀ عند الفتح أمسك غطاء الفلتر من طرف الخلق، واحرص على ثبات غطاء الفلتر المفتوح في الوضع الرأسي. في حالة سقوط غطاء الفلتر يكون هناك خطر إصابة.

تتوقف قدرة الشفط على حالة الفلتر. لذا قم بتنظيف الفلتر بانتظام.

قم باستبدال فلتر الطيات المسطح التالف (34) فوراً.

- اجذب من طرف الخلق (26) وحرك غطاء الفلتر (43) إلى أعلى، إلى أن يثبت في الوضع الرأسي.
- أخرج فلتر الطيات المسطح (34) من المواف وأخرجه من خلال رفعه للأعلى.
- أخرج الأتربة والانساختات المتخلفة بعد خلع فلتر الطيات المسطح (34) باستخدام قطعة قماش مبللة من حافة الوعاء (1).
- يمكن غسل فلتر الطيات المسطح بالماء الجاري.
- قم بتركيب فلتر الطيات المسطح بعد تنظيفه أو الجديد (34) وتأكد من ثباته بشكل جيد وصحيح.
- أغلق غطاء الفلتر (43) إلى أن يثبت بصوت مسموع.

تنظيف الفلتر الأولي (انظر الصورة P)

◀ لا يجوز تبلييل الفلتر الأولي أثناء تنظيفه.

◀ لا تدخل يدك من أعلى بين ممسك التوجيه والشايفة لتحريك قفل غطاء الفلتر الأولي. وإلا فقد تنحصر يديك.

اجذب ممسك التوجيه (42) إلى أعلى، إلى أن يصعب الوصول إلى غطاء الفلتر الأولي من الخلف متاخاً. اضغط على زر فك الإقفال (28) الخاص بغطاء الفلتر الأولي (27) وأخرجه من درج الفلتر الأولي. اخلع الفلتر الأولي (44).

قم بتنظيف شرائح الفلتر الأولي باستخدام فرشاة ناعمة.

ضع الفلتر الأولي في غطاء الفلتر الأولي (27). قم بتركيب غطاء الفلتر الأولي (27) في درج الفلتر الأولي وقم بطيه.

**تنظيف مستشعر مستوى الملء
(انظر الصور Q-R)**

اسمح قابس الشبكة الكهربائية الخاص بالشايفة من المقبس الكهربائي.

اخلع الجزء العلوي من الشايفة (12).

قم بتفريغ الوعاء (1).

حرك العوامة (46) أو قم اطرق عليه برفق لإزالة الانساختات.

قم بتنظيف العوامة (46) باستخدام قطعة قماش ناعمة.

عند اللزوم يمكنك إخراج العوامة. للقيام بذلك اضغط على القفل (47) واخلع العوامة (46).

قم بتنظيف المغناطيس (48) باستخدام الفرشاة.

التنظيف اليدوي للفلتر (7) في تفعيل وظيفة الحماية من السخونة المفرطة بالشايفة. يتم إلغاء وظيفة الحماية من السخونة المفرطة أوتوماتيكياً بعد بعض الوقت (انظر «إزالة الاختلالات»، الصفحة 112).

إيقاف التنظيف اليدوي للفلتر اضغط على زر وظيفة التنظيف الأوتوماتيكي للفلتر (8).

في حالة اتساخ فلتر الطيات المسطح من الخارج يظل يعمل بكفاءة. لا حاجة للتنظيف اليدوي لفلتر الطيات المسطح من خلال الطرق أو النفخ للتنظيف، بل قد يضر للفلتر.

الصيانة والخدمة**الصيانة والتنظيف**

◀ أفضل القابس عن المقبس قبل صيانة الشايفة أو تنظيفها، وقبل تغيير أوضاع ضبط الجهاز أو الأجزاء الملحقة وقبل وضع الشايفة جانباً. تساهم هذه الإجراءات الاحتياطية في منع التشغيل غير المقصود للشايفة.

◀ حافظ على نظافة الشايفة وشقوق التهوية للعمل بشكل جيد وأمن.

إذا تطلب الأمر استبدال خط الإمداد، فينبغي أن يتم ذلك من قبل شركة Bosch أو من قبل مركز خدمة الزبائن المعتمد لشركة Bosch للعدد الكهربائية، لتجنب التعرض للمخاطر.

◀ احرص على ارتداء قناع الحماية من الغبار أثناء إجراء أعمال الصيانة والتنظيف على الشايفة.

احرص على تنظيف جسم الشايفة من وقت إلى آخر باستخدام قطعة قماش مبللة.

◀ لا تقم بتنظيف الشايفة باستخدام الهواء المضغوط. فقد يتعرض الفلتر والأجزاء الأخرى لأضرار.

ينبغي إجراء عملية فحص فنية للغبار من قبل الجهة الصانعة أو من قبل شخص مؤهل مرة واحدة في السنة على الأقل (على سبيل المثال، من حيث وجود أضرار بالفلتر، وإحكام الشايفة ضد التسريب وسلامة عمل تجهيزات التحكم).

التنظيف والصيانة بعد شفط المواد المضرّة بالصحة

- اعتبر جميع الأجزاء التي ربما تكون قد لامست المواد المضرّة بالصحة ملوثة.

- قم بشفط الانساختات من السطح الخارجي للشايفة أو مسحها أو قم بتغليف السطح الخارجي قبل إخراجها من نطاق المواد المضرّة بالصحة.

- لا تقم بتنظيف الشايفة وتفكيكها وصيانتها إلا إذا كان من الممكن القيام بذلك دون تعريض نفسك أو الآخرين للخطر. قم بارتداء معدات الحماية الشخصية أثناء الصيانة والتنظيف. قم بتنفيذ العمل في غرفة جيدة التهوية.

- قم أولاً بتنظيف الشايفة من الخارج قبل تفكيكها.

- تخلص من جميع أجزاء الشايفة التي لا يمكن تنظيفها بشكل مرض في أكياس غير منفذة. يرجى مراعاة الأحكام السارية بصدد التخلص من هذه النفايات.

- قم بتنظيف منطقة الصيانة بعد الانتهاء من العمل.

- لنقل الشافطة بشكل أخف مع الحفاظ على ظهرك قم بتفريغ الوعاء تمامًا أو تخلص من الكيس البلاستيكي/كيس الفلتر القماشي الممتلئ.
 - قم بتحرير قفل مكبح عجلة التوجيه (18) لدفع الشافطة أو سحبها.
 - استخدم الممسك القوسي المخرج فقط (42) لدفع الشافطة أو جذبها. لا يجوز جر الشافطة على درجات السلم باستخدام ممسك التوجيه. يجب لهذا الغرض استخدام مقبض الحمل.
 - يُراعى عند حمل الشافطة على درجات سلم عدم وجود أشخاص آخرين خلفك مباشرةً تحسبًا لوقوع شافطة الغبار بشكل غير متوقع.
- إزالة الاختلالات**
- ◀ **في حالة حدوث خلل (مثل انقطاع المرشح) يجب إيقاف الشافطة على الفور. يجب إزالة الخلل قبل مواصلة التشغيل.**

قم بتركيب العوامة (46) مجددًا.

التخزين والنقل

- قم بلف كابل الكهرباء حول حامل الكابل (19).
- أدخل التوابع في أماكن التثبيت المخصصة.
- قم بلف خرطوم الشفط المركب (29) حول حامل خرطوم الشافطة. اسحب شريطي الشد (13) إلى أعلى وقم بشبكهما في فتحات التثبيت.
- قم بتركيب نظام الحمل L-BOXX على المواضع (11).
- أخرج الكيس البلاستيكي/كيس الفلتر القماشي، بمجرد امتلائه.
- لا تحمل الشافطة من مقبض الحمل (10).
- أوقف الشافطة في مكان جاف وقم بتأمينها على أرضية مستوية ضد الاستخدام غير المسموح به.
- لتثبيت عجلات التوجيه (17)، اضغط على مكبح عجلة التوجيه (18).

المشكلة	العلاج
توربين الشفط لا يعمل.	افحص كابل الكهرباء والقابس الكهربائي والمصهر والمقبس ومستشعرات مستوى الماء (45). يكون المفتاح الرئيسي (2) على وضع «آلية التشغيل/الإيقاف».
توقف توربينة الشفط.	اضبط المفتاح الرئيسي (2) على الرمز «شفط» أو قم بتشغيل العدة الكهربائية المتصلة بالقابس الكهربائي (4). في حالة الشفط الرطب تومض مؤشرات LED A و M ببطء وفي الوقت نفسه. قم بتفريغ الوعاء (1).
توقف الشافطة.	في حالة الشفط الجاف تومض مؤشرات LED A و M بسرعة وفي الوقت نفسه: تكون واقية فرط السخونة للمقبس الكهربائي بالشافطة مفعلة. أوقف العدة الكهربائية.
لا تتم إعادة تشغيل توربين الشفط بعد إفراغ الوعاء.	تحميل مفرط للشافطة من خلال تخطي الحد الأقصى لجهد المقبس الكهربائي بالشافطة: ينطلق مصهر حماية المحرك. أرسل الشافطة إلى أحد مراكز خدمة العملاء Bosch المعتمدة. أوقف الشافطة وانتظر لمدة 5 ث، ثم أعد تشغيلها مرة أخرى بعد 5 ث.
انخفاض قوة الشفط.	قم بتنظيف مستشعرات مستوى الماء (45) بالإضافة للحيز البيئي لمستشعرات مستوى الماء (45) باستخدام فرشاة. قم بإزالة الانسدادات من فوهة الشفط أو أنبوب الشفط أو خرطوم الشفط (29) أو فلتر الطيات المسطح (34). قم بتغيير الكيس البلاستيكي (32)/كيس الفلتر القماشي (40). قم بتثبيت غطاء الفلتر (43) بشكل صحيح.
خروج الغبار أثناء الشفط	قم بتركيب الجزء العلوي من الشافطة (12) بشكل صحيح وقم بتأمين الأقفال (15). قم بتغيير فلتر الطيات المسطح (34). تأكد من التركيب الصحيح لفلتر الطيات المسطح (34). قم بتغيير فلتر الطيات المسطح (34).
آلية إيقاف الأوتوماتيكية لا تستجيب (الشفط الرطب).	قم بتنظيف مستشعرات مستوى الماء (45) بالإضافة للحيز البيئي لمستشعرات مستوى الماء (45) باستخدام فرشاة. تحكم باستمرار في مستوى الماء.
وظيفة التنظيف الأوتوماتيكي للفلتر لا تعمل.	انتقل إلى الوضع اليدوي من خلال الضغط على زر التنظيف اليدوي للفلتر (7). في حالة استمرار المشكلة اتصل بأحد مراكز خدمة عملاء Bosch المعتمدة.

المشكلة	العلاج
تعذر انطلاق وظيفة التنظيف اليدوي للفلتر.	وظيفة الحماية من السخونة المفرطة بالشفافة مفعلة. تسبب الضغط المستمر لعشر مرات على زر التنظيف اليدوي للفلتر (7) في تفعيل وظيفة الحماية من السخونة المفرطة بالشفافة. يتم إلغاء وظيفة الحماية من السخونة المفرطة أوتوماتيكياً بعد 20 ث.
لا تنطلق وظيفة التنظيف الأوتوماتيكي للفلتر.	تسبب الضغط المستمر لثلاثين مرة على زر التنظيف اليدوي للفلتر (7) في تفعيل وظيفة الحماية من السخونة المفرطة بالشفافة. يتم إلغاء وظيفة الحماية من السخونة المفرطة أوتوماتيكياً بعد 4 دقائق. في حالة استمرار المشكلة اتصل بأحد مراكز خدمة عملاء Bosch المعتمدة. اتصل بأحد مراكز خدمة عملاء Bosch المعتمدة.

خدمة العملاء واستشارات الاستخدام

يجيب مركز خدمة الزبائن على أسئلتكم بصدد تصليح وصيانة المنتج وأيضاً بما يخص قطع الغيار. ستجد الرسوم الممددة والمعلومات عن قطع الغيار بموقع: www.bosch-pt.com
يسر فريق استشارات الاستخدام لدى شركة بوش أن يقدم لك العون إذا كان لديك أية استفسارات بخصوص منتجاتنا وملحقاتها التكميلية.
يلزم ذكر رقم الصنف ذو الخانات العشر وفقاً للوحة صنع المنتج عند إرسال أية استفسارات أو طلبيات قطع غيار.

المغرب

Robert Bosch Morocco SARL
53، شارع الملازم محمد مرود
20300 الدار البيضاء
الهاتف: +212 5 29 31 43 27
البريد الإلكتروني: sav.outillage@ma.bosch.com

تجد عناوين أخرى للخدمات تحت:

www.bosch-pt.com/serviceaddresses

التخلص من العدة الكهربائية

يجب التخلص من الشافطة الخوائية والتوابع والتغليظ بطريقة محافظة على البيئة عن طريق تسليمها لمراكز النفايات القابلة لإعادة التصنيع.
لا ترم الشافطة في النفايات المنزلية!



فارسی

راهنمایهای ایمنی برای جاروبرقی



همه دستورات ایمنی و راهنماییها را بخوانید. اشتباهات ناشی از عدم رعایت این دستورات ایمنی ممکن است باعث برقرافتگی، سوختگی و یا سایر جراحات

های شدید شود.

همه هشدارهای ایمنی و راهنماییها را برای آینده خوب نگهداری کنید.

این مکنده (جاروبرقی) برای استفاده توسط کودکان و سایر افراد دارای کاستیهای روحی و جسمی یا بدون تجربه یا آشنایی مناسب نیست. در غیر اینصورت خطر کاربرد اشتباه و جراحی وجود دارد.

مواظب کودکان باشید.

اینگونه اطمینان حاصل می کنید که کودکان با جاروبرقی بازی نمی کنند.

تمام مقررات ایمنی مربوط به موادی که قرار است جاروبرقی شوند را رعایت کنید.

از مکش گرد و غبار چوب درخت بلوط و راش، گرد و غبار سنگ و آزیست، خودداری کنید. این مواد سرطانزا هستند.

هشدار تنها وقتی جاروبرقی را بکار برید که اطلاعات کافی در

مورد نحوه کاربری آن، مواد مورد مکش و دفع مطمئن آنها را دریافت کردهاید. بکارگیری دقیق راهنمایها، استفاده اشتباه و بروز جراحات را کاهش می دهد.

هشدار این جاروبرقی برای مکش مواد خشک و در صورت

تدبیرات متناسب جهت مکش مایعات نیز مناسب است. نفوذ مایعات خطر برق گرفتگی را افزایش می دهد.

از مکش مایعات دارای قابلیت اشتعال یا انفجار مانند بنزین، روغن، الکل و مواد حلال خودداری کنید. از مکش گرد و غبارهای دارای قابلیت اشتعال یا انفجار خودداری کنید. از به کارگیری مکنده در فضاهای دارای خطر انفجار خودداری کنید. گرد و غبارها، بخارها و مایعات می توانند آتش گرفته و یا منفجر شوند.

هشدار از پرریز تنها برای موارد تعیین شده در دفترچه راهنما

استفاده کنید.

هشدار

به محض خارج شدن کف یا آب از جاروبرقی، آن را سریع خاموش کنید و محفظه را تخلیه کنید. جاروبرقی ممکن است در غیر اینصورت آسیب ببیند.

توجه! جاروبرقی را بایستی تنها در فضاهای داخلی نگهداری کرد.

توجه! جسگرهای وضعیت ظرفیت مایعات را مرتب تمیز کنید و آنها را از نظر آسیبیدگی کنترل نمایید. در غیر اینصورت کارایی دستگاه دچار اختلال می گردد.

در صورت لزوم کار با جاروبرقی در محیط و اماکن مرطوب، باید از یک کلید حفاظتی جریان خطا و نشستی زمین (کلید قطع کننده اتصال با زمین) استفاده کنید. استفاده از کلید حفاظتی جریان خطا و نشستی زمین خطر برق گرفتگی را کاهش می دهد.

قبل از هر بار استفاده، جاروبرقی، کابل و دوشاخه را کنترل کنید. در صورت تشخیص هر گونه آسیب دیدگی، از جاروبرقی استفاده نکنید. جاروبرقی را سر خود باز نکنید و برای تعمیر دستگاه فقط به متخصصین حرفه ای رجوع و از وسائل یدکی اصل استفاده کنید. کابل، دوشاخه و کلید آسیب دیده، خطر برق گرفتگی را افزایش می دهند.

کابل را لگدمال یا له نکنید. جهت درآوردن دوشاخه از پرریز یا حرکت دادن جاروبرقی از کشیدن کابل خودداری کنید. کابل های آسیب دیده، خطر برق گرفتگی را افزایش میدهند.

قبل از تمیز کردن، انجام تنظیمات، تعویض متعلقات یا کنار گذاشتن جاروبرقی، دوشاخه را از پرریز بکشید. رعایت این اقدامات پیشگیری ایمنی از راه افتادن ناخواسته جاروبرقی جلوگیری می کند.

مراقب باشید که محل کار شما از تهویه کافی برخوردار باشد.

برای تعمیر دستگاه فقط به متخصصین حرفه ای رجوع و از وسائل یدکی اصل استفاده کنید. اینگونه ایمنی جاروبرقی تضمین می شود.

هشدار مکنده حاوی گرد و غبار مضر برای سلامتی می باشد.

عملیات سرویس و تخلیه و نیز دفع محفظه جمعآوری گرد و غبار، فقط توسط متخصصین حرفه ای انجام شود. تجهیزات ایمنی مناسب الزامیست. مکنده را بدون سیستم فیلتر نصب شده کامل و دقیق بکار نبرید. در غیر اینصورت به سلامتی خود صدمه می زنید.

قبل از راهاندازی، از بینقصی شلنگ مکش اطمینان حاصل کنید. در این حالت، شلنگ مکش را روی جاروبرقی نصب شده بگذارید تا ناخواسته هیچ گرد و غباری خارج نشود. در غیر اینصورت ممکن است، گرد و غبار تنفس کنید.

روی جاروبرقی ننشینید. این باعث آسیب دیدگی جاروبرقی می شود.

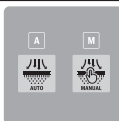
در نحوه کاربری کابل برق و شلنگ مکش دقت کنید. امکان به خطر انداختن اشخاص دیگر وجود دارد.

علایم و مفهوم آنها

جاروبرقی را، برای مثال جهت حمل و نقل، به قلاب جرثقیل آویزان نکنید. جاروبرقی قابل حمل یا جرثقیل نیست. خطر جراحت و آسیب دیدگی وجود دارد.



از جاروبرقی به عنوان صندلی، نردبان یا پله استفاده نکنید. جاروبرقی ممکن است واژگون شود و آسیب ببیند. خطر جراحت وجود دارد.



A

نشانگر LED حالت تمیزکاری خودکار
فیلتر

A

M

نشانگر LED حالت تمیزکاری دستی
فیلتر

M

دکمه تمیزکاری خودکار فیلتر



دکمه تمیزکاری فیلتر به صورت
دستی



شروع/توقف خودکار

مکش گرد و غبارهای تولید شده توسط ابزارهای برقی در حال کار؛ جاروبرقی به طور اتوماتیک روشن و با تأخیر زمانی دوباره خاموش می شود.

پریز روی جاروبرقی به طور دائم دارای ولتاژ است.



خاموش کردن

پریز جاروبرقی دارای ولتاژ نیست.



جارو زدن

مکش گرد و غبارهای باقی مانده و گرد و غبار سیستم مکنده.

پریز روی جاروبرقی به طور دائم دارای ولتاژ است.



Min/Max

تنظیم بدون درجه توان مکش:

- حداکثر توان مکش برای کاربردهای با تولید گرد و غبار زیاد

- توان مکش کم برای کاربردهای با تولید گرد و غبار کم و برای تنظیم نیروی مکش بین ابزار برقی متصل شده و سطح قطعه کار (مثلاً برای سایش کاری)



▶ **جاروبرقی را با فشار مستقیم آب تمیز نکنید.** نفوذ آب به قسمت بالای جاروبرقی خطر برق گرفتگی را افزایش می دهد.

▶ **دستگاه مکش را به یک منبع جریان برق که مطابق مقررات، ارت دار شده باشد، متصل کنید.** پریز و کابل رابط باید دارای هادی حفاظتی فعال باشند.

▶ **از پریز جاروبرقی در مکش تر یا محیط مرطوب استفاده نکنید.** تماس با آب خطر اتصال کوتاه یا برق گرفتگی را دارد.

علایم

علایم زیر ممکن است برای استفاده از جاروبرقی شما حائز اهمیت باشند. لطفاً این علایم و معانی آنها را به خاطر بسپارید. تعریف درست این علایم به شما جهت استفاده بهتر و ایمن تر از جاروبرقی کمک می کند.

علایم و مفهوم آنها

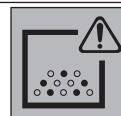
هشدار! تمامی نکات ایمنی و دستورالعمل ها را بخوانید. عدم رعایت نکات ایمنی و دستور العمل ها ممکن است باعث برق گرفتگی، سوختگی و/یا جراحات شدید شود.



جاروبرقی کلاس گرد و غبار L مطابق با IEC/EN 60335-2-69 جهت مکش خشک گرد و غبارهای مضر برای سلامتی با آستانه انفجار 1 mg/m^3



هشدار! جاروبرقی حاوی گرد و غبار مضر برای سلامتی می باشد. عملیات سرویس و تخلیه و همچنین دفع محفظه جمع آوری گرد و غبار، فقط توسط متخصصین حرفه ای انجام شود. تجهیزات ایمنی مناسب الزامیست. جاروبرقی را بدون نصب کامل و دقیق سیستم فیلتر، به کار نبرید. در غیر اینصورت به سلامتی خود صدمه می زنید.



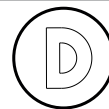
تنها حداکثر یک L-BOXX را باز کنید.

وزن L-BOXX به همراه محتویات نباید از 15 kg بیشتر شود.



علامه و مفهوم آنها

نیت اطلاعات در این جاروبرقی فعال است.



max.
2100 W
min.
100 W

مشخصات مربوط به توان اتصال مجاز ابزار برقی متصل شده (برحسب کشور)

توضیحات محصول و کارکرد

به تصاویر مربوط در ابتدای بخش دفترچه راهنما توجه کنید.

موارد استفاده از دستگاه

این جاروبرقی برای جمع آوری، مکش، هدایت و جداسازی گرد و غبار خشک و غیر قابل اشتعال و مایعات غیر قابل اشتعال در نظر گرفته شده است. این جاروبرقی از نظر فنی نسبت به گرد و غبار کنترل شده است و مطابق با کلاس L می باشد. برای انتظارات بالای استفاده حرفه ای، به طور مثال صنعتی، کارگاهی و کار فنی مناسب است. جاروبرقی کلاس گرد و غبار L مطابق با IEC/EN 60335-2-69 را باید فقط برای جمع آوری و مکش گرد و غبارهای مضر برای سلامتی با آستانه انفجار $1 \text{ mg/m}^3 <$ به کار برد. تنها وقتی از جاروبرقی استفاده کنید که با تمام کاراییهای آن آشنا هستید و می توانید بدون محدودیتی آن را بکار گیرید و یا راهنماییهای مربوطه را دریافت کرده اید.

تصاویر اجزاء دستگاه

شماره اجزایی که در تصویر مشاهده می شود، مربوط به شرح مکنده می باشد که تصویر آن در این دفترچه راهنما آمده است.

- (1) محفظه
- (2) کلید اصلی
- (3) نگهدارنده شیلنگ
- (4) پرز برق برای ابزار برقی
- (5) نشانگر A LED حالت تمیزکاری خودکار فیلتر
- (6) نشانگر M LED حالت تمیزکاری دستی فیلتر
- (7) دکمه تمیزکاری فیلتر به صورت دستی
- (8) دکمه تمیزکاری خودکار فیلتر
- (9) تنظیم کننده توان مکش

مشخصات فنی

GAS 400 A	GAS 400 A	جارو برقی تر/خشک
... 0D0/... 0G0	... 020/... 0F0	شماره فنی ... 3 601 JM0
... 0C0	... 080/... 0E0/... 0N0	
... 060	... 0K0	
	... 0L0/... 070	

- (10) دسته حمل و نقل
 - (11) نگهدارنده L-BOXX
 - (12) قسمت بالای جاروبرقی
 - (13) نوار کششی
 - (14) دهانه تثبیت
 - (15) قفل قسمت بالای جاروبرقی
 - (16) چرخ
 - (17) چرخ گردان
 - (18) ترمز چرخ های گردان
 - (19) نگهدارنده کابل
 - (20) ریل راهنما برای دسته فرمان
 - (21) محدوده دستگیره عقب
 - (22) نگهدارنده نازل کف
 - (23) نازل کف
 - (24) نازل برس ترکیبی
 - (25) آداپتور مکش ترکیبی (برای ابزار برقی)
 - (26) زبانه قفل درپوش فیلتر
 - (27) درپوش فیلتر اولیه
 - (28) دکمه آزادکننده قفل فیلتر اولیه
 - (29) شیلنگ مکش
 - (30) لوله مکش
 - (31) نازل خمیده
 - (32) کیسه پلاستیکی
 - (33) دهانه عبور هوا
 - (34) فیلتر پره ای تخت
 - (35) دکمه فشاری شیلنگ مکش
 - (36) آداپتور PowerTool (قسمت جلویی)
 - (37) آداپتور PowerTool (قسمت عقبی)
 - (38) دکمه آزادکننده قفل نازل برس ترکیبی
 - (39) نگهدارنده کیسه فیلتر نمدی^a
 - (40) کیسه فیلتر نمدی^a
 - (41) دکمه فشاری دسته فرمان^a
 - (42) دسته فرمان تلسکوپی^a
 - (43) درپوش فیلتر پره ای تخت
 - (44) فیلتر اولیه
 - (45) حسگر میزان پر شدن
 - (46) شناور
 - (47) قفل شناور
 - (48) آهنربا
- (a) این قسمت از متعلقات، بطور معمول همراه دستگاه ارائه نمی شود.

GAS 400 A		GAS 400 A		جارو برقی تَر/خشک
		... 0H0		
		... 030		
1200	1200		W	توان ورودی نامی
60	50-60		Hz	فرکانس
40	40		l	حجم محفظه (ناخالص)
26	28		l	حجم خالص (خشک)
18	20		l	حجم خالص (مایع)
				فشار خلاء ^(A)
180	200		hPa	- جاروبرقی
200	230		hPa	- توربین
				حداکثر میزان جریان ^(A)
26	28		l/s	- جاروبرقی
93,6	100,8		m ³ /h	
70	71,5		l/s	- توربین
252	257		m ³ /h	
L	L			کلاس گرد و غبار
14,5	14,0		kg	وزن ^(B)
I/⊕	I/⊕			کلاس ایمنی
IPX4	IPX4			نوع حفاظت

(A) اندازه‌گیری شده با یک شلنگ مکش دارای قطر 28 میلیمتر و طول 4 متر
 (B) وزن بدون کابل اتصال برق و بدون دوشاخه برق
 اطلاعات برای ولتاژهای نامی داده شده معتبر هستند. برای ولتاژهای مختلف و تولیدات خاص کشورها، ممکن است این مقادیر متفاوت باشند.
 مقادیر ممکن است بسته به محصول متفاوت باشند و بستگی به شرایط استفاده و محیطی دارند. اطلاعات بیشتر را در سایت www.bosch-professional.com/wac مشاهده نمایید.

پریز روی جاروبرقی

توان اتصال مجاز ابزار برقی متصل شده			
ولتاژ نامی	حداکثر توان	حداقل توان	3 601 JMO ...
230 V	2100 W	100 W	... 020/... 0F0
220 V	2100 W	100 W	... 080/... 0E0/... 0N0
220-230 V	2100 W	100 W	... 0K0
220-240 V	1660 W	100 W	... 0L0/... 070
220 V	1000 W	100 W	... 0H0
230 V	1100 W	100 W	... 030
127 V	705 W	100 W	... 0D0/... 0G0
115 V	525 W	100 W	... 0C0
110 V	560 W	100 W	... 060

اطلاعات مربوط به توان اتصال مجاز ابزار برقی متصل شده.
 در مورد سایر مدل‌های مربوط به هر کشور ممکن است این مقادیر تغییر کنند. لطفاً به اطلاعات روی پریز مکنده توجه کنید.

نصب متعلقات مکش (رجوع شود به تصویر A)

شلینگ مکش (29) مجهز به سیستم قرارگیری کلیک است، که می‌تواند به متعلقات مکش (آداپتور مکش ترکیبی (25)، نازل سرچ (31) نازل برس دار ترکیبی (24)) متصل شود.

نصب

قبل از تمیز کردن، انجام تنظیمات، تعویض متعلقات یا کنار گذاشتن جاروبرقی، دوشاخه را از پریز بکشید. رعایت این اقدامات پیشگیری ایمنی از راه افتادن ناخواسته جاروبرقی جلوگیری می‌کند.

نصب نازل سرکج

- نازل سرکج (31) را روی شیلنگ مکش (29) قرار دهید تا هر دو دکمه فشاری (35) شیلنگ مکش به طور محسوس جا بیفتند.
- به منظور باز کردن، دکمه های فشاری (35) را به سمت داخل فشار دهید، و قطعات را از یکدیگر باز کنید.

نصب نازلها و لوله ها

- در صورت نیاز لوله های مکش (30) را محکم در هم و سپس در نازل سرکج (31) فرو کنید.
- نازل کف (23) را محکم روی لوله مکش (30) یا نازل سرکج (31) وارد کنید.

نحوه نصب آداپتور مکش ترکیبی

- آداپتور مکش ترکیبی (25) از آداپتور PowerTool (قسمت جلویی) (36) و آداپتور PowerTool (قسمت عقبی) (37) تشکیل شده است.
- آداپتور مکش ترکیبی (25) با ابزارهای برقی بوش سازگار است.

آداپتور PowerTool (قسمت عقبی) (37) به دلیل قطر داخلی 38,5 mm و قطر بیرونی 45 mm می تواند برای ابزارهای برقی سایر سازندگان استفاده شود.

- آداپتور PowerTool (قسمت جلویی) (36) را به آداپتور PowerTool (قسمت عقبی) (37) وصل کنید و دو آداپتور را با چرخاندن آنها در جهت مخالف به هم متصل کنید (رجوع کنید به تصویر B).

آداپتور مکش ترکیبی (25) را روی شیلنگ مکش (29) قرار دهید، تا جایی که هر دو دکمه فشاری (35) شیلنگ مکش بطور محسوس جا بیفتند. برای جدا کردن، دکمه های فشاری (35) را به سمت داخل فشار دهید و آداپتور مکش ترکیبی را از شیلنگ مکش بیرون بکشید.

برای جدا کردن هر دو آداپتور، اتصال را با چرخاندن آنها در جهت مخالف باز کنید و آداپتورها را از هم جدا کنید.

نصب نازل برس ترکیبی

- نازل برس ترکیبی (24) را روی شیلنگ مکش (29) قرار دهید، تا جایی که هر دو دکمه فشاری (35) شیلنگ مکش بطور محسوس جا بیفتند.
- به منظور باز کردن، دکمه های فشاری (35) را به سمت داخل فشار دهید، و قطعات را از یکدیگر باز کنید.

تنظیم نازل برس ترکیبی (رجوع کنید به تصویر C)

از نازل ترکیبی (24) به عنوان نازل دوکی یا برس استفاده کنید.

برای استفاده از نازل ترکیبی (24) به عنوان برس، دکمه آزادکننده قفل (38) را فشار دهید و برس را به جلو هدایت کنید.

برای استفاده از نازل ترکیبی (24) به عنوان نازل دوکی، دکمه آزادکننده قفل (38) را فشار دهید و برس را به عقب بکشید.

نحوه نصب شیلنگ مکش (رجوع کنید به تصویر D)

شیلنگ مکش (29) را روی نگهدارنده شیلنگ (3) قرار دهید و آن را در جهت حرکت عقربه های ساعت تا انتها بچرخانید.

نکته: هنگام کار، به دلیل مالش گرد و غبار در شیلنگ مکش و متعلقات، بار الکترومغناطیسی ایجاد می شود که ممکن است کاربر به شکل تخلیه بار الکتریکی حس کند (بر حسب شرایط محیطی و حس کاربر).

به طور کلی شرکت Bosch استفاده از یک شیلنگ مکش ضد استاتیکی (متعلقات) را جهت مکش ریزگرد و مواد خشک توصیه میکند.

نحوه تثبیت شیلنگ مکش روی جاروبرقی (رجوع کنید به تصویر E)

شیلنگ مکش (29) نصب شده در محفظه شیلنگ مکش ببچید. دو نوار کششی (13) را به بالا بکشید و در دهانه (14) تثبیت قلاب کنید.

نحوه قرار دادن/برداشتن کیسه پلاستیکی (مکش خشک) (رجوع کنید به تصویر F)

هر دو قفل (15) را باز کنید و قسمت بالای جاروبرقی (12) را بردارید.

برای مکش خشک، یک کیسه پلاستیکی (32) داخل محفظه (1) قرار دهید.

کیسه پلاستیکی (32) را به صورت سوراخ ورودی رو به بالا در محفظه (1) قرار دهید.

مطمئن شوید که کیسه پلاستیکی (32) کاملاً بر دیوارهای داخلی محفظه (1) واقع شود.

بقیه کیسه پلاستیکی (32) را روی دیواره محفظه (1) بکشید. اطمینان حاصل کنید که خط توقف کیسه پلاستیکی روی لبه طرف باشد و منافذ عبور (33) هوا در طرف یاقی بماند.

قسمت بالای جاروبرقی (12) را دوباره قرار دهید و جاروبرقی را توسط قفل ها (15) ببندید.

◀ دقت کنید که جاروبرقی همیشه به خوبی بسته شده باشد.

کیسه پلاستیکی را قبل از برداشتن آن، ببندید. قسمت بالای کیسه را کنار هم نگه دارید و آنرا با استفاده از یک نوار گره بزنید.

نحوه قرار دادن/برداشتن کیسه فیلتر نمدی (مکش خشک) (رجوع کنید به تصویر G-H)

برای مکش خشک مواد مطابق با کلاس گرد و غبار L، می توانید از یک کیسه فیلتر نمدی (40) (متعلقات) استفاده کنید.

در صورت مکش مواد بدون مقدار مرزی انفجاری 1 mg/m^3 (مطابق با کلاس گرد و غبار L) می توان مستقیم به داخل محفظه مکش انجام داد.

نکته: هنگام استفاده از کیسه نمدی، تمیزکاری خودکار فیلتر را خاموش کنید (رجوع کنید به «تمیزکاری خودکار/دستی فیلتر (رجوع کنید به تصویر M)»، صفحه 120).

ایمنی از راه افتادن ناخواسته جاروبرقی جلوگیری می کند.

راه اندازی و نحوه کاربرد دستگاه

◀ به ولتاژ برق شبکه توجه کنید! ولتاژ منبع جریان برق باید با مقادیر موجود بر روی برچسب جارو برقی مطابقت داشته باشد.

◀ در مورد نحوه ی برخورد با گرد و غبار های مضر برای سلامتی از قوانین و مقررات معتبر مربوط به کشور خود کسب اطلاع کنید.

از جاروبرقی می توان برای جارو کردن و مکش مواد زیر استفاده نمود:

– گرد و غبارهای با مقدار مرزی انفجار $1 \text{ mg/m}^3 <$ از جاروبرقی کلا در مکانهای دارای خطر انفجار استفاده نکنید.

جهت تضمین کارایی بهینه، بایستی شلنگ مکش (29) را همیشه کاملاً دور قسمت بالایی مکنده (12) کلاف کنید.

تنظیم قدرت مکش

با استفاده از تنظیم کننده توان مکش (9) می توانید قدرت مکش را به طور مداوم تعدیل کنید.

تنظیم کننده توان مکش (9) را برای کاربردهایی که گرد و غبار زیادی تولید می کنند روی حداکثر قدرت مکش تنظیم کنید.

تنظیم کننده قدرت مکش (9) را برای کاربردهای با تولید گرد و غبار کم و تنظیم نیروی مکش بین ابزار برقی متصل شده و سطح قطعه کار (مثلاً برای سایش کاری)، روی توان مکش کم قرار دهید.

پریز روی جاروبرقی

◀ لطفاً به ظرفیت اتصال مجاز پریز روی جاروبرقی توجه کنید. تجاوز از حداکثر ظرفیت مجاز می تواند باعث ایجاد بار اضافی روی جاروبرقی شود. فیوز محافظ موتور فعال می شود. جاروبرقی را به یکی از مراکز مجاز Bosch خدمات مشتریان ارسال کنید.

به محض اینکه دوشاخه جاروبرقی وارد پریز شود و کلید اصلی در موقعیت 1 قرار گیرد، پریز ابزار برقی (4) دارای ولتاژ می شود. می توان از آن به عنوان یک اتصال برق خارجی در جاروبرقی استفاده کرد، به عنوان مثال هنگام کار با سیستم های مکش. در موقعیت 1+ شروع/توقف خودکار جاروبرقی فعال می شود. جاروبرقی را می توان با استفاده از ابزار برقی متصل از راه دور روشن کرد.

مکش خشک

مکش گرد و غبارهای جمع شده

برای روشن کردن جاروبرقی، کلید اصلی (2) را در موقعیت 1 قرار دهید.



برای خاموش کردن جاروبرقی، کلید اصلی (2) را در موقعیت 0 قرار دهید.



هشدار

مکنده حاوی گرد و غبار مضر برای سلامتی می باشد. عملیات سرویس و تخلیه و نیز دفع محفظه جمعآوری گرد و غبار، فقط توسط متخصصین حرفه ای انجام شود. تجهیزات ایمنی مناسب الزامیست. مکنده را بدون سیستم فیلتر نصب شده کامل و دقیق بکار نبرید. در غیر اینصورت به سلامتی خود صدمه می زنید.

فصل ها (15) را باز کنید و قسمت بالای جاروبرقی (12) را بردارید.

برای نصب، کیسه فیلتر نمدی (40) را روی نگهدارنده کیسه فیلتر نمدی (39) قرار دهید و کیسه فیلتر نمدی (40) را به همراه نگهدارنده (39) داخل محفظه (1) قرار دهید.

برای بیرون آوردن، دهانه کیسه فیلتر نمدی پر شده را با کشیدن سرپوش آن ببندید. کیسه فیلتر نمدی (40) بسته شده را از نگهدارنده کیسه فیلتر نمدی (39) بیرون بیاورید و از جاروبرقی خارج کنید. قسمت بالای جاروبرقی (12) را دوباره در جای خود قرار دهید و با بستن قفل های (15) محفظه (1) را به قسمت بالای جاروبرقی (12) وصل کنید.

باز کردن L-Boxx (رجوع کنید به تصویر 1)

برای حمل و نقل مکنده و جهت صرفه جویی در جا هنگام نگهداری متعلقات مکنده در انبار و/یا ابزار برقی می توان L-Boxx از قسمت بالایی مکنده باز کرد.

شلنگ مکش را روی جاروبرقی تثبیت کنید (رجوع کنید به تصویر E).

L-Boxx را در نگهدارنده (11) جا ببندازید.

◀ از مکنده بدون استفاده نکند. نقطه نقل مکنده به بالا تغییر می کند. ممکن است مکنده واژگون شود. خطر جراحت یا آسیب دیدگی وجود دارد.

◀ مکنده را از طرف دسته L-Boxx باز شده حمل نکنید. مکنده برای دسته L-Boxx بسیار سنگین است. خطر جراحت یا آسیب دیدگی وجود دارد.

نصب دسته فرمان تلسکوپی (متعلقات) (رجوع کنید به تصویر J-K)

نکته: امکان جداسازی دسته فرمان تلسکوپی وجود ندارد. در طول نصب، مطمئن شوید که دسته فرمان به درستی تراز شده است.

قبل از قرار دادن، دسته فرمان (42) را با استفاده از علامتهای R (راست) و L (چپ) تراز کنید.

دسته فرمان (42) را درون ریل راهنما (20) قرار دهید.

دسته فرمان (42) را تا خط توقف فشار دهید تا به طور محسوس در محل خود جا بیفتند.

با فشار دادن دکمه فشاری (41)، طول دسته فرمان (42) را تغییر دهید.

طرز کار با دستگاه

◀ قبل از تمیز کردن، انجام تنظیمات، تعویض متعلقات یا کنار گذاشتن جاروبرقی، دوشاخه را از پریز بکشید. رعایت این اقدامات پیشگیری

نکته: شرایط مربوط به درجه ورودی (کلاس گرد و غبار L) برای مکش خشک در نظر گرفته شده است.

قبل از مکش تر


محفظه (1) را خالی کنید و کیسه پلاستیکی (32) یا کیسه فیلتر نمدی (40) را بردارید.

حسگر میزان پر شدن (45) را از نظر آلودگی بررسی کنید. فقط یک حسگر میزان پر شدن تمیز به جاروبرقی امکان می دهد هنگام پر شدن محفظه به طور خودکار خاموش شود (رجوع کنید به «تمیز کردن حسگر میزان پر شدن» (رجوع کنید به تصویر Q-R)، «صفحه 122).

تمیزکاری خودکار فیلتر باید هنگام جارو زدن مواد مرطوب غیرفعال شود.

دکمه تمیزکاری خودکار فیلتر (8) را فشار دهید تا تمیز کردن دستی فیلتر فعال شود (رجوع کنید به «تمیزکاری فیلتر به صورت دستی»، صفحه 121). تمیزکاری خودکار فیلتر غیرفعال شده و نشانگر LED A (5) خاموش می شود.

مکش مایعات

هشدار  به محض خارج شدن کف یا آب از جاروبرقی، آن را سریع خاموش کنید و محفظه را تخلیه کنید. جاروبرقی ممکن است در غیر اینصورت آسیب ببیند.

برای روشن کردن جاروبرقی، کلید اصلی (2) را در موقعیت 1 قرار دهید.

جاروبرقی به حسگرهای میزان پر شدن ظرف (45) مجهز است. هنگامی که میزان پر شدن به سطح حداکثر برسد، جاروبرقی به طور خودکار خاموش می شود و هر دو نشانگر LED A (5) و M (6) هر 1 ثانیه هم زمان چشمک می زنند. محافظ استارت مجدد فعال می شود و می تواند با 1 بار روشن/خاموش کردن جاروبرقی غیرفعال شود.

نکته: سطح را به طور مرتب بررسی کنید و محفظه را به موقع خالی کنید.

برای خاموش کردن جاروبرقی، کلید اصلی (2) را در موقعیت 0 قرار دهید.

محفظه (1) را از محدوده دستگیره عقب (21) بگیرید و آنرا به جلو بچرخانید تا مایع خالی شود.

پس از مکش تر

حسگر میزان پر شدن (45) را بعد از مکش تر تمیز کنید (رجوع کنید به «تمیز کردن حسگر میزان پر شدن» (رجوع کنید به تصویر Q-R)، «صفحه 122).

برای جلوگیری از تشکیل قارچ پس از مکش تر:

- فیلتر پره ای تخت (34) را بیرون بیاورید و بگذارید خوب خشک شود.

- قسمت بالای جاروبرقی (12) را بردارید، درپوش فیلتر (43) را باز کنید و بگذارید هر دو تای آنها خوب خشک شوند.

تمیزکاری خودکار/دستی فیلتر (رجوع کنید به تصویر M)

تمیزکاری خودکار فیلتر

نکته: هنگام روشن کردن جاروبرقی، تمیزکاری خودکار فیلتر به صورت پیش فرض تنظیم شده است. نشانگر LED A (5) به طور مداوم روشن می ماند.

نمونه مکش گرد و غبار ناشی از ابزارهای برقی در حال کار (رجوع کنید به تصویر L)

چنانچه خروجی هوا در اتاق کاهش یابد، باید جریان تهویه کافی هوا در اتاق برقرار باشد. به قوانین کشور خود توجه نمایید.

یک پرز برای ابزار برقی (4) در جاروبرقی تعبیه شده است. شما می توانید یک ابزار برقی خارجی را به این پرز متصل کنید. به حداکثر توان مجاز اتصال ابزار برقی متصل توجه داشته باشید.

نصب آداپتور مکش ترکیبی (25) (رجوع کنید به تصویر B).

آداپتور مکش ترکیبی (25) را در لوله اتصال به دستگاه مکش ابزار برقی وارد کنید.

برای روشن کردن شروع/توقف خودکار جاروبرقی، کلید اصلی (2) را به موقعیت 1+ بچرخانید.

برای راه اندازی جاروبرقی، ابزار برقی متصل به پرز (4) را روشن کنید.

جاروبرقی به طور خودکار شروع به کار می کند. برای متوقف کردن مکش، ابزار برقی را خاموش کنید.

تداوم عملکرد شروع/توقف خودکار تا 15 ثانیه ادامه دارد تا بتواند بقایای گرد و غبار را از شیلنگ مکش بیرون بکشد.

برای خاموش کردن جاروبرقی، کلید اصلی (2) را در موقعیت 0 قرار دهید.

استفاده از سیستم مکش (متعلقات)

سیستم مکش را به شیلنگ مکش (29) وصل کنید.

برای مکش گرد و غبار از طریق سیستم مکش، کلید اصلی (2) را در موقعیت 1 قرار دهید.

سیستم مکش را روی دیوار نگه دارید و ابزار برقی را روشن کنید. به دلیل فشار منفی حاصل شده، سیستم مکش به طور مستقل می چسبد.

ابزار برقی را خاموش کنید و سیستم مکش را با دقت از دیوار جدا کنید.

برای خاموش کردن جاروبرقی، کلید اصلی (2) را در موقعیت 0 قرار دهید.

مکش مرطوب

از مکش مایعات دارای قابلیت اشتعال یا انفجار مانند بنزین، روغن، الکل و مواد حلال خودداری کنید. از مکش گرد و غبارهای دارای قابلیت اشتعال یا انفجار خودداری کنید. از به کارگیری مکنده در فضاهای دارای خطر انفجار خودداری کنید. گرد و غبارها، بخارها و مایعات می توانند آتش گرفته و یا منفجر شوند.

از مکنده به عنوان پمپ آب استفاده نکنید. مکنده برای مکش هوا و مخلوط آب در نظر گرفته شده است.

آسیب دیدگی، مکنده را از نظر نشتی و تجهیزات کنترل را برای عملکرد مناسب بررسی کنید).

نظافت و سرویس و نگهداری پس از مکش موادی که برای سلامتی مضر هستند

- تمام قسمت هایی را که ممکن است با مواد خطرناک تماس داشته باشند را آلوده در نظر بگیرید.
- قبل از اینکه جاروبرقی را از منطقه خطر خارج کنید، قسمت بیرونی جاروبرقی را جارو بکشید، پاک کنید یا محکم کنید.
- جاروبرقی را فقط در صورتیکه خطری برای شما و سایر افراد نداشته باشد، تمیز، باز و نگهداری و سرویس کنید. هنگام سرویس و نگهداری از تجهیزات ایمنی شخصی استفاده کنید. کار را در اتاقی با تهویه مناسب انجام دهید.
- قبل از باز کردن جاروبرقی، ابتدا قسمت بیرونی آن را تمیز کنید.
- هر قسمت از جاروبرقی را که نمی توان به طور مطلوب تمیز کرد را در کیسه های غیرقابل نفوذ دور بریزید. مقررات معتبر مربوطه را برای دفع این گونه زباله ها رعایت کنید.
- محدوده سرویس و نگهداری را پس از اتمام کار، تمیز کنید.

تمیز کردن محفظه گرد و غبار

محفظه (1) را هر چند وقت یکبار با مواد شوینده غیر ساینده موجود در بازار تمیز کنید و بگذارید خشک شود.

تمیز کردن/تعویض فیلتر پره ای تخت (رجوع کنید به تصویر N-0)

- ◀ **هنگام باز کردن درپوش فیلتر، زبانه قفل را بگیرید و دقت کنید که درپوش فیلتر باز شده در حالت عمودی قفل شود.** در صورت افتادن درپوش فیلتر، خطر وارد آمدن جراحت وجود دارد. توان مکش به وضعیت فیلتر بستگی دارد. بنابراین فیلتر را مرتب تمیز کنید.
- فیلتر پره ای تخت (34) آسیب دیده را سریع تعویض کنید.
- زبانه قفل (26) را بکشید و درپوش فیلتر (43) و را به سمت بالا بچرخانید تا در حالت عمودی قفل شود.
- فیلتر پره ای تخت (34) را از لبه ها بگیرید و آن را از بالا بیرون بکشید.
- هر گونه گرد و غبار و آلودگی ناشی از بیرون آوردن فیلتر پره ای تخت (34) را با یک دستمال مرطوب، از لبه های محفظه (1) پاک کنید.
- فیلتر پره ای تخت را می توان با آب روان شستشو داد.
- یک فیلتر پره ای تخت (34) جدید یا فیلتر تمیز شده را قرار دهید و از فرارگیری محکم و صحیح آن مطمئن شوید.
- درپوش فیلتر (43) را ببندید تا به طور محسوس جا بیفتد.
- تمیز کردن فیلتر اولیه (رجوع کنید به تصویر P)
- ◀ **فیلتر اولیه را نباید به حالت مرطوب تمیز کرد.**

هنگام تمیزکاری خودکار، فیلتر پره ای تخت (34) هر 15 ثانیه یکبار با دو پمپاژ هوا تمیز می شود (صدای ضربانی).

در صورت استفاده مرتب از تمیز کننده فیلتر، زمان ماندگاری فیلتر افزایش می یابد.

برای بدست آوردن مدت زمان عالی ماندگاری فیلتر، تمیزکاری خودکار فیلتر را تنها در موارد استثنا غیر فعال کنید، برای مثال هنگام مکش تر.

تمیزکاری فیلتر به صورت دستی

برای تمیز کردن دستی فیلتر، دکمه تمیزکاری دستی فیلتر (7) را فشار دهید. فیلتر پره ای تخت (34) با 2 پمپاژ هوا تمیز می شود. نشانگر (6) LED M به مدت 2 ثانیه با رنگ سفید روشن می شود. هنگامی که نشانگر (6) LED M خاموش شد، پمپاژ بعدی هوا می تواند فعال شود. برای انجام این کار، دکمه تمیز کردن دستی فیلتر (7) را دوباره فشار دهید.

نکته: هنگام تمیز کردن دستی فیلتر، توجه داشته باشید که فاصله زمانی بین هر بار فشار دادن دکمه باید 2 تا 3 ثانیه باشد. چندین بار فشار دادن مداوم دکمه تمیزکاری دستی فیلتر (7)، حفاظت در برابر گرم شدن بیش از حد جاروبرقی را فعال می کند. حفاظت در برابر گرم شدن بیش از حد، بعد از مدتی به طور خودکار غیرفعال می شود (رجوع کنید به «رفع ایرادها»، صفحه 122).

برای خاموش کردن حالت تمیزکاری دستی فیلتر، دکمه تمیزکاری خودکار فیلتر (8) را فشار دهید.

یک فیلتر پره ای تخت با آلودگی سطحی، هنوز قابل استفاده است. تمیز کردن دستی فیلتر پره ای تخت با به ضربه زدن یا دمیدن باد ضروری نیست و ممکن است حتی به فیلتر آسیب برساند.

مراقبت و سرویس

مراقبت، تعمیر و تمیز کردن دستگاه

◀ **قبل از تمیز کردن، انجام تنظیمات، تعویض متعلقات یا کنار گذاشتن جاروبرقی، دوشاخا را از پریز بکشید.** رعایت این اقدامات پیشگیری ایمنی از راه افتادن ناخواسته جاروبرقی جلوگیری می کند.

◀ جاروبرقی و دریچه ی تهویه را برای کارایی خوب و امن تمیز نگهدارید.

در صورت نیاز به یک کابل پدکی برای اتصال به شبکه برق، بایستی به شرکت Bosch و یا به نمایندگی مجاز Bosch (خدمات پس از فروش) برای ابزار آلات برقی مراجعه کنید تا از بروز خطرات ایمنی جلوگیری بعمل آید.

◀ هنگام تمیز کردن و سرویس مکنده از یک ماسک تنفسی استفاده کنید.

بدنه جاروبرقی را گاه به گاه با یک دستمال مرطوب تمیز کنید.

◀ **جاروبرقی را با هوای فشرده تمیز نکنید.** ممکن است به فیلتر یا سایر قطعات آسیب برسد.

حداقل سالی یک بار، بازرسی فنی مربوط به گرد و غبار جاروبرقی باید توسط سازنده یا یک فرد آموزش دیده انجام شود (برای مثال فیلتر را از نظر

- شیلنگ مکش (29) نصب شده را در محفظه شیلنگ مکش بپیچید. دو نوار کششی (13) را به بالا بکشید و در دهانه های تثبیت قلاب کنید.
- L-BOXX را در نگهدارنده (11) جا بیندازید.
- کیسه پلاستیکی/کیسه فیلتر نمدی را به محض پر شدن خارج کنید.
- جاروبرقی را از دسته (10) حمل کنید.
- جاروبرقی را در یک اتاق خشک با سطح صاف قرار دهید و از آن در برابر کاربری غیر مجاز محافظت کنید.
- جهت تثبیت کردن چرخ های گردان (17)، ترمز چرخ های گردان (18) را پایین بیاورید.
- برای حمل و نقل راحت جاروبرقی و بدون آسیب زدن به کمر خود، محفظه را کاملاً خالی کنید یا کیسه پلاستیکی/کیسه فیلتر نمدی پر شده را دور بیندازید.
- برای کشیدن یا جلو راندن جاروبرقی، ترمز چرخ های گردان (18) را آزاد کنید.
- برای جلو راندن یا کشیدن جاروبرقی، فقط از دسته فرمان بیرون آمده (42) استفاده کنید. جاروبرقی نباید با استفاده از دسته فرمان روی پله ها کشیده شود. برای این کار باید از دسته حمل و نقل استفاده شود.
- برای مقابله با خطر احتمالی سقوط جارو برقی هنگام حمل آن را روی پله ها، مطمئن شوید که افراد دیگری مستقیماً پشت سر شما نباشند.

رفع ایرادها

- ◀ در صورت بروز اختلال (مانند شکستگی فیلتر) بایستی جاروبرقی را فوراً خاموش کرد. قبل از راه اندازی مجدد بایستی رفع اشکال شود.

◀ برای باز کردن درپوش فیلتر اولیه، دست خود را از بالا از بین دسته فرمان و جاروبرقی رد نکنید. در غیر این صورت ممکن است دستتان گیر کند.

- دسته فرمان (42) را به سمت بالا بکشید تا درپوش فیلتر اولیه از قسمت عقب آزادانه در دسترس باشد.
- دکمه آزادکننده قفل (28) فیلتر اولیه (27) را فشار دهید و آنرا از محفظه فیلتر اولیه خارج کنید.
- فیلتر اولیه (44) را بیرون بیاورید.
- پره های فیلتر اولیه را با یک برس نرم پاک کنید.
- فیلتر اولیه را در درپوش فیلتر (27) قرار دهید.
- درپوش فیلتر اولیه (27) را در محفظه فیلتر اولیه قرار دهید و آنرا ببندید.

تمیز کردن مسگر میزان پر شدن (رجوع کنید به تصویر Q-R)

- دوشاخه جاروبرقی را پریز برق جدا کنید.
- قسمت بالای جاروبرقی (12) را بردارید.
- محفظه (1) را خالی کنید.
- شناور (46) را تکان دهید یا آرام به آن ضربه بزنید تا ذرات و آلودگی ها از آن جدا شوند.
- شناور (46) را با یک دستمال نرم تمیز کنید.
- در صورت لزوم، می توانید شناور را بیرون نیز بیاورید. برای این منظور، قفل (47) را فشار دهید و شناور (46) را بردارید.
- آهنربا (48) را با یک برس تمیز کنید.
- شناور (46) را دوباره نصب کنید.

نگهداری و حمل و نقل

- کابل برق را دور نگهدارنده کابل (19) کلاف کنید.
- متعلقات را در نگهدارنده های مربوطه قرار دهید.

ایراد	راه حل
توربین جاروبرقی کار نمی کند.	کابل برق، دوشاخه، فیوز، پریز و مسگرهای وضعیت ظرفیت (45) را کنترل کنید.
	کلید اصلی (2) روی "شروع/توقف خودکار" قرار دارد.
	کلید اصلی (2) روی علامت "مکش" قرار دهید یا ابزار برقی متصل شده به پریز (4) را روشن کنید.
توربین جاروبرقی خاموش می شود.	در حین مکش تَر، نشانگرهای LED A و M به آرامی و همزمان چشمک می زنند.
	محفظه (1) را تخلیه کنید.
	در حین مکش خشک، نشانگرهای LED A و M سریع و همزمان چشمک می زنند: محافظت از اضافه بار پریز جاروبرقی فعال شده است.
	ابزار برقی را خاموش کنید.
جاروبرقی خاموش می شود.	بار اضافی روی جاروبرقی به دلیل تجاوز از حداکثر ظرفیت مجاز پریز روی جاروبرقی: فیوز محافظ موتور فعال شده است.
	جاروبرقی را به یکی از مراکز مجاز Bosch خدمات مشتریان ارسال کنید.
پس از تخلیه محفظه، توربین جاروبرقی دوباره راه اندازی نمی شود.	جاروبرقی را خاموش کنید و 5 ثانیه منتظر بمانید، پس از 5 ثانیه دوباره آن را روشن کنید.
	مسگرهای میزان پر شدن (45) و همچنین فضای بین آنها (45) را با یک برس تمیز کنید.

ایراد	راه حل
توان مکش کاهش یافته است.	گرفتگی های نازل مکش، لوله مکش، شیلنگ مکش (29) یا فیلتر پره ای تخت (34) را برطرف کنید.
	کیسه پلاستیکی (32)/کیسه فیلتر نمدی (40) را تعویض کنید.
	دربوش فیلتر (43) را درست جابز کنید.
	قسمت بالای جاروبرقی (12) را درست قرار داده و قفل ها (15) را ببندید.
	فیلتر پره ای تخت (34) را تعویض کنید.
خروج گرد و غبار هنگام مکش	نصب صحیح فیلتر پره ای تخت (34) را کنترل کنید.
	فیلتر پره ای تخت (34) را تعویض کنید.
توقف خودکار (مکش تر) فعال نمی شود.	حسگرهای میزان پر شدن (45) و همچنین فضای بین آنها (45) را با یک برس تمیز کنید.
	میزان پر شدن را به طور مداوم کنید.
تمیزکاری خودکار فیلتر کار نمی کند.	جاروبرقی را با فشار دادن دکمه تمیزکاری دستی فیلتر (7)، در حالت تمیز کردن دستی قرار دهید.
	در صورت تداوم مشکل، با مرکز خدمات مجاز مشتریان Bosch تماس بگیرید.
تمیز کردن دستی فیلتر نمی تواند فعال شود.	محافظ گرمای بیش از حد جاروبرقی فعال شده است.
	10 بار فشار دادن مداوم دکمه تمیز کردن دستی فیلتر (7) باعث فعال شدن محافظت در برابر گرمای بیش از حد می شود. محافظت در برابر گرم شدن بیش از حد، بعد از 20 ثانیه به طور خودکار غیرفعال می شود.
	30 بار فشار دادن مداوم دکمه تمیز کردن دستی فیلتر (7) باعث فعال شدن محافظت در برابر گرمای بیش از حد می شود. محافظت در برابر گرم شدن بیش از حد، بعد از 4 دقیقه به طور خودکار غیرفعال می شود.
	در صورت تداوم مشکل، با مرکز خدمات مجاز مشتریان Bosch تماس بگیرید.
تمیزکاری خودکار فیلتر فعال نمی شود.	با مرکز مجاز خدمات مشتریان Bosch تماس بگیرید.

از رده خارج کردن دستگاه

جارو برقی، متعلقات و بسته بندی آن، باید طبق مقررات حفظ محیط زیست از رده خارج و بازیافت شوند.

مکنده را داخل زباله دان خانگی نیندازید!



خدمات و مشاوره با مشتریان

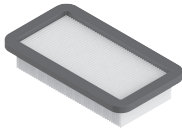
دفتر خدمات پس از فروش به سئوالات شما در باره تعمیرات، سرویس و همچنین قطعات یدکی و متعلقات پاسخ خواهد داد. تصاویر و اطلاعات در باره قطعات یدکی و متعلقات را میتوانید در سایت نامبرده زیر جستجو نمایید: www.bosch-pt.com
تیم مشاوره Bosch شما را در مورد سؤالیاتان نسبت به محصولات و متعلقات ما حمایت می کند. برای هرگونه سئوال و یا سفارش ابزار یدکی و متعلقات، حتماً شماره فنی ده رقمی کالا را مطابق برجسب روی ابزار برقی اطلاع دهید.

ایران

روبرت بوش ایران - شرکت بوش تجارت پارس
میدان ونک، خیابان شهید خدای، خیابان آفتاب
ساختمان مادیران، شماره 3، طبقه سوم.
تهران 1994834571
تلفن: 42039000 9821+

سایر اطلاعات مربوط به خدمات را اینجا می یابید:

www.bosch-pt.com/serviceaddresses



2 608 000 889



2 608 000 886



2 608 000 585



2 608 000 769



2 608 000 887



2 608 000 661



2 608 000 797



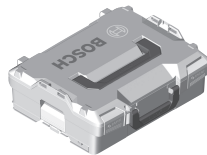
2 608 000 806



2 608 000 890



2 608 000 888



2 608 438 691



2 608 001 109



2 608 000 891



5 m

4 m



22 mm

28 mm



2 608 000 568



2 608 000 885