



GST 183-LI Professional

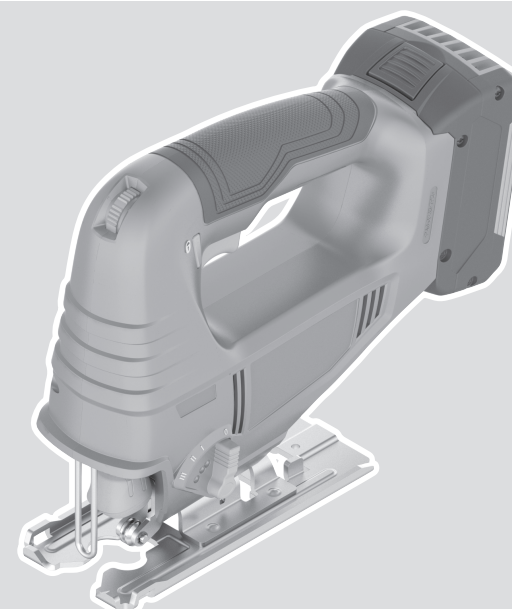
Robert Bosch Power Tools GmbH
70538 Stuttgart
GERMANY

www.bosch-pt.com

1 609 92A 8WA (2023.10) T / 82



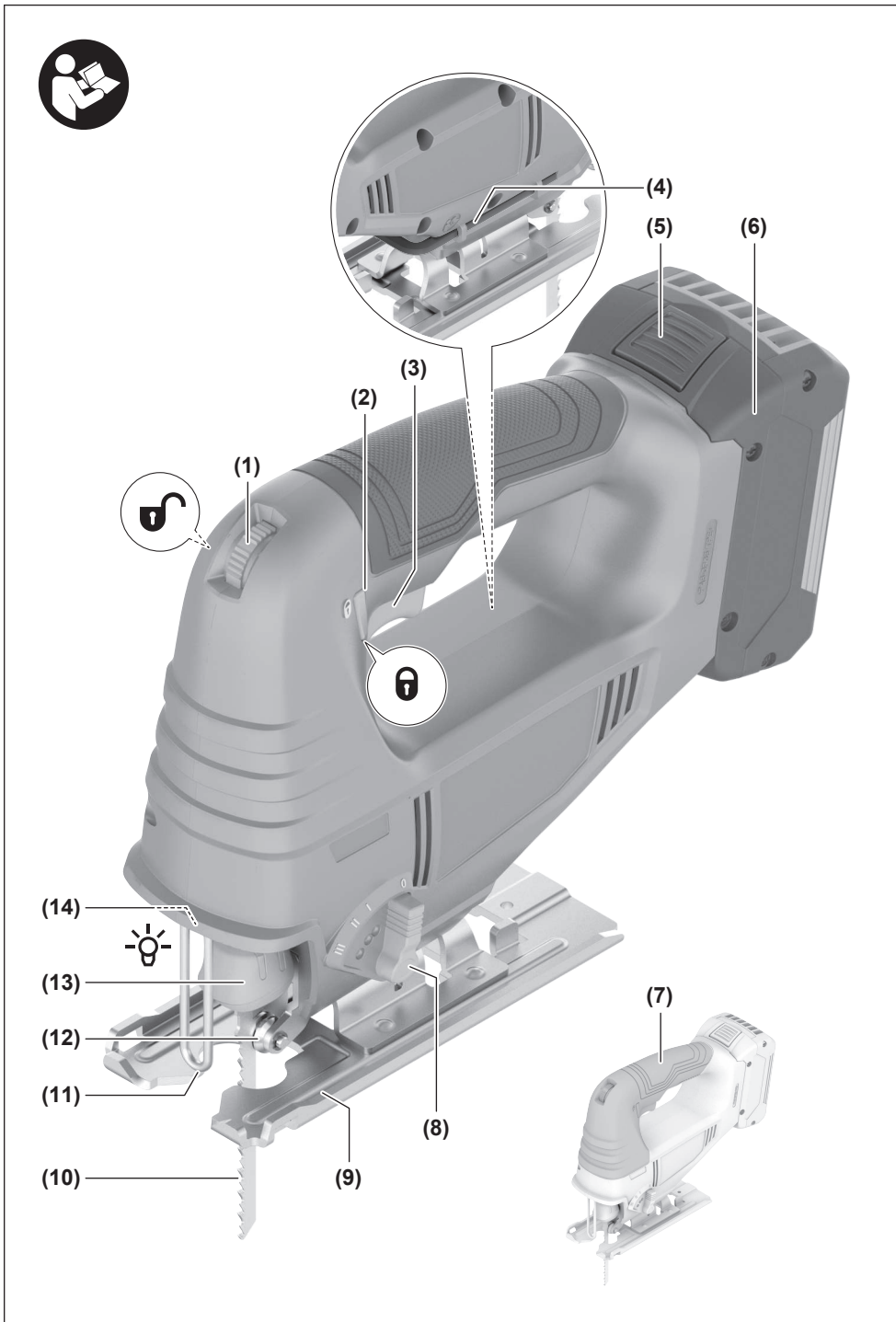
1 609 92A 8WA

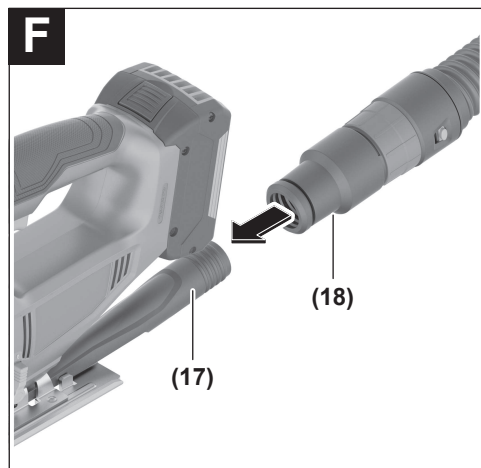
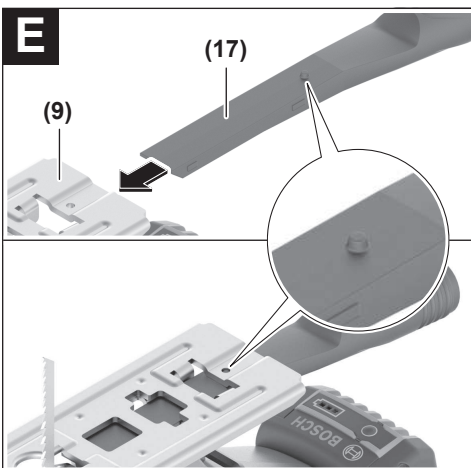
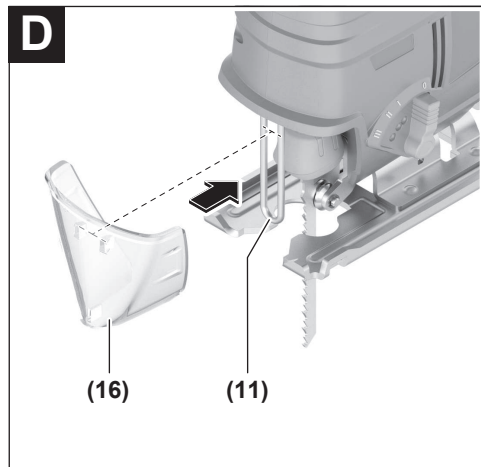
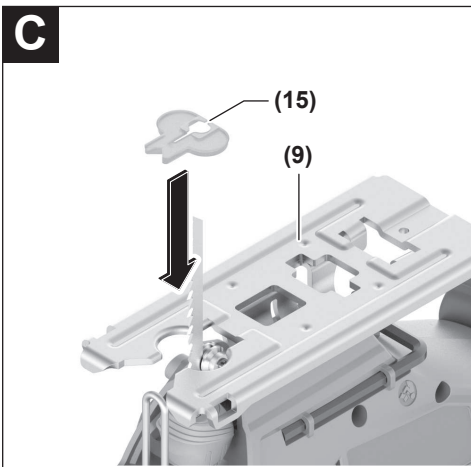
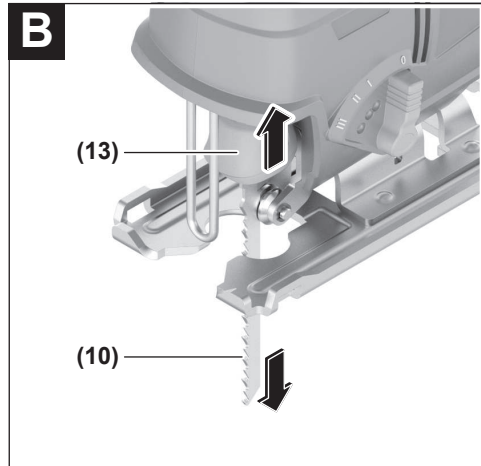
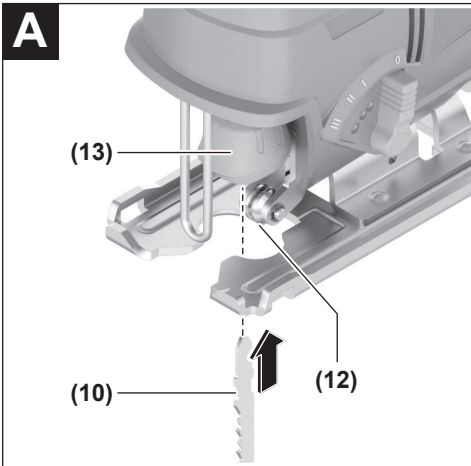


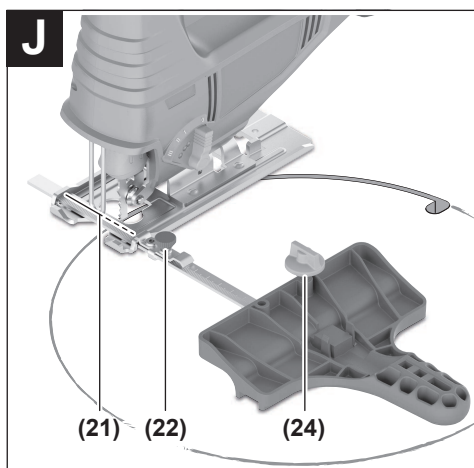
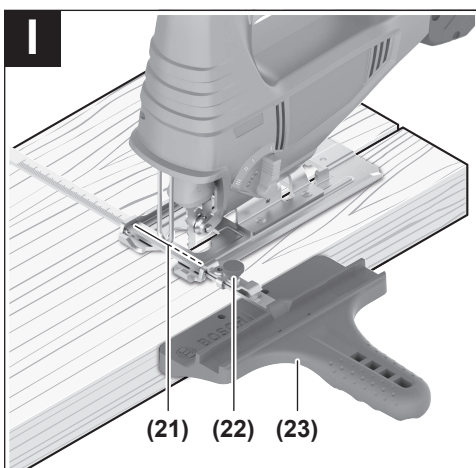
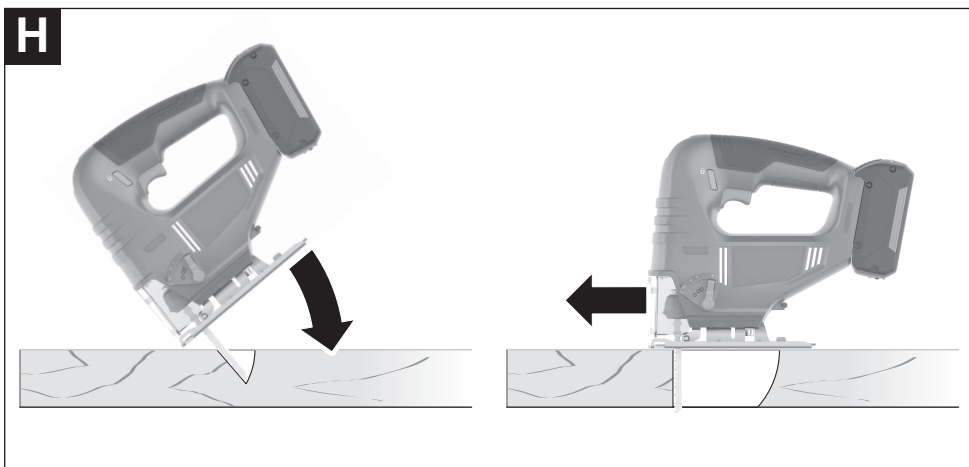
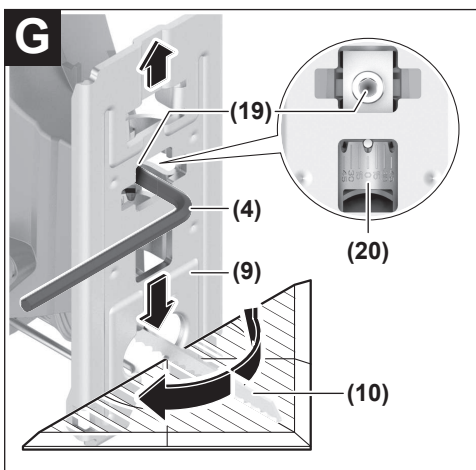
- en Original instructions
- fr Notice originale
- pt Manual original
- zh 正本使用说明书
- zh 原始使用說明書
- th หนังสือคู่มือการใช้งานฉบับต้นแบบ
- id Petunjuk-Petunjuk untuk Penggunaan Orisinal
- vi Bản gốc hướng dẫn sử dụng
- ar دليل التشغيل الأصلي
- fa دفترچه راهنمای اصلی



English	Page	6
Français	Page	12
Português	Página	19
中文	頁	27
繁體中文	頁	33
ไทย	หน้า	38
Bahasa Indonesia	Halaman	45
Tiếng Việt	Trang	52
عربي	الصفحة	60
فارسی	صفحه	67







English

Safety Instructions

General Power Tool Safety Warnings

⚠ WARNING Read all safety warnings, instructions, illustrations and specifications provided with this power tool. Failure to follow all instructions listed below may result in electric shock, fire and/or serious injury.

Save all warnings and instructions for future reference.

The term "power tool" in the warnings refers to your mains-operated (corded) power tool or battery-operated (cordless) power tool.

Work area safety

- ▶ **Keep work area clean and well lit.** Cluttered or dark areas invite accidents.
- ▶ **Do not operate power tools in explosive atmospheres, such as in the presence of flammable liquids, gases or dust.** Power tools create sparks which may ignite the dust or fumes.
- ▶ **Keep children and bystanders away while operating a power tool.** Distractions can cause you to lose control.

Electrical safety

- ▶ **Power tool plugs must match the outlet. Never modify the plug in any way. Do not use any adapter plugs with earthed (grounded) power tools.** Unmodified plugs and matching outlets will reduce risk of electric shock.
- ▶ **Avoid body contact with earthed or grounded surfaces, such as pipes, radiators, ranges and refrigerators.** There is an increased risk of electric shock if your body is earthed or grounded.
- ▶ **Do not expose power tools to rain or wet conditions.** Water entering a power tool will increase the risk of electric shock.
- ▶ **Do not abuse the cord. Never use the cord for carrying, pulling or unplugging the power tool. Keep cord away from heat, oil, sharp edges or moving parts.** Damaged or entangled cords increase the risk of electric shock.
- ▶ **When operating a power tool outdoors, use an extension cord suitable for outdoor use.** Use of a cord suitable for outdoor use reduces the risk of electric shock.
- ▶ **If operating a power tool in a damp location is unavoidable, use a residual current device (RCD) protected supply.** Use of an RCD reduces the risk of electric shock.

Personal safety

- ▶ **Stay alert, watch what you are doing and use common sense when operating a power tool. Do not use a power tool while you are tired or under the influence of drugs, alcohol or medication.** A moment of inatten-

tion while operating power tools may result in serious personal injury.

- ▶ **Use personal protective equipment. Always wear eye protection.** Protective equipment such as a dust mask, non-skid safety shoes, hard hat or hearing protection used for appropriate conditions will reduce personal injuries.
- ▶ **Prevent unintentional starting. Ensure the switch is in the off-position before connecting to power source and/or battery pack, picking up or carrying the tool.** Carrying power tools with your finger on the switch or energising power tools that have the switch on invites accidents.
- ▶ **Remove any adjusting key or wrench before turning the power tool on.** A wrench or a key left attached to a rotating part of the power tool may result in personal injury.
- ▶ **Do not overreach. Keep proper footing and balance at all times.** This enables better control of the power tool in unexpected situations.
- ▶ **Dress properly. Do not wear loose clothing or jewellery. Keep your hair and clothing away from moving parts.** Loose clothes, jewellery or long hair can be caught in moving parts.
- ▶ **If devices are provided for the connection of dust extraction and collection facilities, ensure these are connected and properly used.** Use of dust collection can reduce dust-related hazards.
- ▶ **Do not let familiarity gained from frequent use of tools allow you to become complacent and ignore tool safety principles.** A careless action can cause severe injury within a fraction of a second.

Power tool use and care

- ▶ **Do not force the power tool. Use the correct power tool for your application.** The correct power tool will do the job better and safer at the rate for which it was designed.
- ▶ **Do not use the power tool if the switch does not turn it on and off.** Any power tool that cannot be controlled with the switch is dangerous and must be repaired.
- ▶ **Disconnect the plug from the power source and/or remove the battery pack, if detachable, from the power tool before making any adjustments, changing accessories, or storing power tools.** Such preventive safety measures reduce the risk of starting the power tool accidentally.
- ▶ **Store idle power tools out of the reach of children and do not allow persons unfamiliar with the power tool or these instructions to operate the power tool.** Power tools are dangerous in the hands of untrained users.
- ▶ **Maintain power tools and accessories. Check for misalignment or binding of moving parts, breakage of parts and any other condition that may affect the power tool's operation. If damaged, have the power tool repaired before use.** Many accidents are caused by poorly maintained power tools.

- ▶ **Keep cutting tools sharp and clean.** Properly maintained cutting tools with sharp cutting edges are less likely to bind and are easier to control.
- ▶ **Use the power tool, accessories and tool bits etc. in accordance with these instructions, taking into account the working conditions and the work to be performed.** Use of the power tool for operations different from those intended could result in a hazardous situation.
- ▶ **Keep handles and grasping surfaces dry, clean and free from oil and grease.** Slippery handles and grasping surfaces do not allow for safe handling and control of the tool in unexpected situations.

Battery tool use and care

- ▶ **Recharge only with the charger specified by the manufacturer.** A charger that is suitable for one type of battery pack may create a risk of fire when used with another battery pack.
- ▶ **Use power tools only with specifically designated battery packs.** Use of any other battery packs may create a risk of injury and fire.
- ▶ **When battery pack is not in use, keep it away from other metal objects, like paper clips, coins, keys, nails, screws or other small metal objects, that can make a connection from one terminal to another.** Shorting the battery terminals together may cause burns or a fire.
- ▶ **Under abusive conditions, liquid may be ejected from the battery; avoid contact. If contact accidentally occurs, flush with water. If liquid contacts eyes, additionally seek medical help.** Liquid ejected from the battery may cause irritation or burns.
- ▶ **Do not use a battery pack or tool that is damaged or modified.** Damaged or modified batteries may exhibit unpredictable behaviour resulting in fire, explosion or risk of injury.
- ▶ **Do not expose a battery pack or tool to fire or excessive temperature.** Exposure to fire or temperature above 130 °C may cause explosion.
- ▶ **Follow all charging instructions and do not charge the battery pack or tool outside the temperature range specified in the instructions.** Charging improperly or at temperatures outside the specified range may damage the battery and increase the risk of fire.

Service

- ▶ **Have your power tool serviced by a qualified repair person using only identical replacement parts.** This will ensure that the safety of the power tool is maintained.
- ▶ **Never service damaged battery packs.** Service of battery packs should only be performed by the manufacturer or authorized service providers.

Safety instructions for jigsaws

- ▶ **Hold the power tool by insulated gripping surfaces, when performing an operation where the cutting accessory may contact hidden wiring.** Cutting accessory

contacting a "live" wire may make exposed metal parts of the power tool "live" and could give the operator an electric shock.

- ▶ **Use clamps or another practical way to secure and support the workpiece to a stable platform.** Holding the workpiece by hand or against your body leaves it unstable and may lead to loss of control.
- ▶ **Keep hands away from the sawing area. Do not reach under the workpiece.** Contact with the saw blade can lead to injuries.
- ▶ **Only bring the power tool into contact with the workpiece when switched on.** Otherwise there is danger of kickback if the cutting tool jams in the workpiece.
- ▶ **Ensure that the footplate always rests securely while sawing.** A jammed saw blade can break or lead to kickback.
- ▶ **When the cut is completed, switch off the power tool and then pull the saw blade out of the cut only after it has come to a standstill.** In this manner you can avoid kickback and can place down the power tool securely.
- ▶ **Always wait until the power tool has come to a complete stop before placing it down.** The application tool can jam and cause you to lose control of the power tool.
- ▶ **Use only undamaged saw blades that are in perfect condition.** Bent or dull saw blades can break, negatively influence the cut, or lead to kickback.
- ▶ **Do not brake the saw blade to a stop by applying side pressure after switching off.** The saw blade can be damaged, break or cause kickback.
- ▶ **Only use the power tool with the base plate.** If you do not use the base plate, you are at risk of not being able to control the power tool.
- ▶ **Use suitable detectors to determine if there are hidden supply lines or contact the local utility company for assistance.** Contact with electric cables can cause fire and electric shock. Damaging gas lines can lead to explosion. Breaking water pipes causes property damage.
- ▶ **In case of damage and improper use of the battery, vapours may be emitted. The battery can set alight or explode.** Ensure the area is well ventilated and seek medical attention should you experience any adverse effects. The vapours may irritate the respiratory system.
- ▶ **Do not open the battery.** There is a risk of short-circuiting.
- ▶ **The battery can be damaged by pointed objects such as nails or screwdrivers or by force applied externally.** An internal short circuit may occur, causing the battery to burn, smoke, explode or overheat.
- ▶ **Only use the battery in the manufacturer's products.** This is the only way in which you can protect the battery against dangerous overload.



Protect the battery against heat, e.g. against continuous intense sunlight, fire, dirt, water and moisture. There is a risk of explosion and short-circuiting.

Product Description and Specifications



Read all the safety and general instructions.

Failure to observe the safety and general instructions may result in electric shock, fire and/or serious injury.

Please observe the illustrations at the beginning of this operating manual.

Intended Use

The power tool is intended for making separating cuts and cut-outs in wood, plastic, metal, ceramic plates, rubber and laminate/HPL (High Pressure Laminate) while resting firmly on the workpiece. It is suitable for straight and curved cuts with mitre/bevel angles of up to 45°. The saw blade recommendations are to be observed.

Product Features

The numbering of the product features refers to the diagram of the power tool on the graphics page.

- (1) Stroke rate preselection thumbwheel
 - (2) Lock-off function for On/Off switch
 - (3) On/off switch
 - (4) Hex key
 - (5) Rechargeable battery release button^{a)}
 - (6) Rechargeable battery^{a)}
 - (7) Handle (insulated gripping surface)
 - (8) Orbital action adjusting lever
 - (9) Base plate
 - (10) Saw blade^{a)}
 - (11) Shock protection guard
 - (12) Guide roller
 - (13) Saw blade receptacle
 - (14) Worklight
 - (15) Anti-splinter guard
 - (16) Hood for dust extraction^{a)}
 - (17) Extraction outlet^{a)}
 - (18) Extraction hose^{a)}
 - (19) Base plate screw
 - (20) Scale for mitre/bevel angles
 - (21) Guide for parallel guide
 - (22) Locking screw for parallel guide^{a)}
 - (23) Parallel guide with circle cutter^{a)}
 - (24) Circle cutter centring tip^{a)}
- a) **Accessories shown or described are not included with the product as standard. You can find the complete selection of accessories in our accessories range.**

Technical Data

Cordless jigsaw		GST 183-LI
Article number		3 601 EB7 0..
Rated voltage	V=	18
No-load stroke rate n_0 ^{A)}	min ⁻¹	0–3300
Stroke	mm	20
Max. cutting depth		
– in wood	mm	95
– in aluminium	mm	15
– in steel (unalloyed)	mm	8
Max. cutting angle (left/right)	°	45
Weight according to EPTA-Procedure 01:2014	kg	2.0–3.0 ^{B)}
Recommended ambient temperature during charging	°C	0 to +35
Permitted ambient temperature during operation ^{C)} and during storage	°C	–20 to +50
Compatible rechargeable batteries		GBA 18V... ProCORE18V...
Recommended rechargeable batteries		GBA 18V... ≥ 4,0 Ah ProCORE18V... ≥ 4,0 Ah
Recommended chargers		GAL 18... GAX 18... GAL 36...

A) Measured at 20–25 °C with rechargeable battery **GBA 18V 4.0Ah**.

B) Depends on battery in use

C) Limited performance at temperatures < 0 °C

Values can vary depending upon the product and are subject to application and environmental conditions. For further information www.bosch-professional.com/wac.

Rechargeable battery

Bosch sells some cordless power tools without a rechargeable battery. You can tell whether a rechargeable battery is included with the power tool by looking at the packaging.

Charging the battery

- **Use only the chargers listed in the technical data.** Only these chargers are matched to the lithium-ion battery of your power tool.

Note: Lithium-ion rechargeable batteries are supplied partially charged according to international transport regulations. To ensure full rechargeable battery capacity, fully charge the rechargeable battery before using your tool for the first time.

Inserting the Battery

Push the charged battery into the battery holder until it clicks into place.

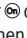

Removing the Battery

To remove the rechargeable battery, press the battery release button and pull the battery out. **Do not use force to do this.**

The rechargeable battery has two locking levels to prevent the battery from falling out if the battery release button is pressed unintentionally. The rechargeable battery is held in place by a spring when fitted in the power tool.

Battery charge indicator

Note: Not all battery types have a battery charge indicator. The green LEDs on the battery charge indicator indicate the state of charge of the battery. For safety reasons, it is only possible to check the state of charge when the power tool is not in operation.

Press the button for the battery charge indicator  or  to show the state of charge. This is also possible when the battery is removed.

If no LED lights up after pressing the button for the battery charge indicator, then the battery is defective and must be replaced.

Battery model GBA 18V...



LED	Capacity
3 × continuous green light	60–100 %
2 × continuous green light	30–60 %
1 × continuous green light	5–30 %
1 × flashing green light	0–5 %

Battery model ProCORE18V...



LED	Capacity
5 × continuous green light	80–100 %
4 × continuous green light	60–80 %
3 × continuous green light	40–60 %
2 × continuous green light	20–40 %
1 × continuous green light	5–20 %
1 × flashing green light	0–5 %

Recommendations for Optimal Handling of the Battery

Protect the battery against moisture and water.

Only store the battery within a temperature range of –20 to 50 °C. Do not leave the battery in your car in the summer, for example.

Occasionally clean the ventilation slots on the battery using a soft brush that is clean and dry.

A significantly reduced operating time after charging indicates that the battery has deteriorated and must be replaced. Follow the instructions on correct disposal.

Assembly

- ▶ **Remove the battery from the power tool before carrying out work on the power tool (e.g. maintenance, changing tool, etc.). The battery should also be removed for transport and storage.** There is risk of injury from unintentionally pressing the on/off switch.

Inserting/changing the saw blade

- ▶ **When fitting or changing the saw blade, wear protective gloves.** Blades are sharp and can become hot when used for prolonged periods of time.

Selecting the saw blade

You will find an overview of recommended saw blades at the end of these operating instructions. Only use saw blades with single lug shank (T shank). The saw blade should not be longer than required for the intended cut.

Use a narrow saw blade when sawing tight curves.

Inserting the saw blade (see figure A)

- ▶ **Clean the shaft on the saw blade before inserting it.**

A dirty shaft cannot be securely fixed in place.

Push the saw blade **(10)**, with the teeth in the cutting direction, into the saw blade receptacle **(13)** until it clicks into place.

Make sure when inserting the saw blade that the back of the saw blade is in the groove on the guide roller **(12)**.

- ▶ **Check that the saw blade is seated securely.** A loose saw blade can fall out and lead to injuries.

Removing the saw blade (see figure B)

Push the saw blade receptacle **(13)** upwards in the direction of the arrow and remove the saw blade **(10)**.

Anti-splinter guard (see figure C)

The anti-splinter guard **(15)** can prevent splintering of the surface while sawing wood. The anti-splinter guard can only be used with certain saw blade types and only at a cutting angle of 0°.

Push the anti-splinter guard **(15)** into the base plate **(9)** from below.

Dust/Chip Extraction

The dust from materials such as lead paint, some types of wood, minerals and metal can be harmful to human health. Touching or breathing in this dust can trigger allergic reactions and/or cause respiratory illnesses in the user or in people in the near vicinity.

Certain dusts, such as oak or beech dust, are classified as carcinogenic, especially in conjunction with wood treatment

additives (chromate, wood preservative). Materials containing asbestos may only be machined by specialists.

- Use a dust extraction system that is suitable for the material wherever possible.
 - Provide good ventilation at the workplace.
 - It is advisable to wear a P2 filter class breathing mask.
- The regulations on the material being machined that apply in the country of use must be observed.

► **Avoid dust accumulation at the workplace.** Dust can easily ignite.

Hood (see figure D)

Fit the hood (16) before you connect the power tool to the dust extraction system.

Attach the hood (16) to the power tool so that the bracket locks into place on the safety guard (11).

Remove the hood (16) when working without a dust extraction system and for mitre/bevel cuts. To do this, pull the hood forwards off the safety guard (11).

Connecting the dust extraction (see figures E–F)

Fit the extraction outlet (17) in the recesses of the base plate (9).

Ensure that the cam on the extraction outlet slots into the corresponding recess of the base plate (9) as shown in the figure E.

Connect a dust extraction hose (18) (accessory) to the extraction outlet (17). Connect the dust extraction hose (18) to a dust extractor (accessory).

You will find an overview of connecting to various dust extractors at the end of these operating instructions.

For optimum dust extraction, where possible use the anti-splinter guard (15).

The dust extractor must be suitable for the material being worked.

When extracting dry dust that is especially detrimental to health or carcinogenic, use a special dust extractor.

Operation

Operating modes

- **Remove the battery from the power tool before carrying out work on the power tool (e.g. maintenance, changing tool, etc.). The battery should also be removed for transport and storage.** There is risk of injury from unintentionally pressing the on/off switch.

Pendulum action settings

The pendulum action can be adjusted using four different settings, allowing the cutting speed, cutting capacity and the cut itself to be optimally adapted to the material that you want to cut.

You can also adjust the pendulum action during operation using the adjusting lever (8).

Level 0	No pendulum action
Level I	Low pendulum action

Level II Moderate pendulum action

Level III High pendulum action

The optimum pendulum level for each application can be determined by a practical test. Note the following recommendations:

- Select a lower pendulum level or switch off the pendulum action completely if you wish to produce a finer or cleaner cutting edge.
- Switch off the pendulum action when machining thin materials (e.g. sheets).
- Work on hard materials (e.g. steel) with low pendulum action.
- You can work on soft materials and saw wood using maximum pendulum action.

Adjusting the mitre/bevel angle (see figure G)


The base plate (9) can be swivelled to the right or left to make mitre cuts up to 45°.

The hood (16) and anti-splinter guard (15) cannot be used while mitre cuts are being made.

- Push the extraction outlet (17) gently upward and pull it out of the base plate (9).
- Remove the hood (16) and the anti-splinter guard (15).
- Loosen the screw (19) with the hex key (4) and slide the base plate (9) slightly towards the saw blade (10).
- The base plate has lock-in points at 0° and 45° on the left and right so that precise mitre/bevel angles can be set. Swivel the base plate (9) to the required position according to the scale (20). Other mitre/bevel angles can be adjusted using a protractor.
- Then push the base plate (9) towards the rechargeable battery as far as it will go.
- Retighten the screw (19).


Starting Operation

Switching On and Off

To **switch on** the power tool, press the lock-off button (2) next to the symbol  first, thereby deactivating it. Then press the on/off switch (3) and keep it pressed.

The worklight lights up when the on/off switch (3) is lightly or fully pressed allowing the work area to be illuminated in poor lighting conditions.

- **Do not look directly into the worklight; it can blind you.**

To **switch off** the power tool, release the on/off switch (3). Activate the lock-off button (2) by pressing the lock-off button next to the symbol .

Controlling/preselecting the stroke rate

You can variably adjust the stroke rate of the power tool when it is on by pressing in the on/off switch (3) to varying extents.

Applying light pressure to the on/off switch (3) results in a low stroke rate. Applying increasing pressure to the switch increases the stroke rate.

You can preselect the stroke rate and change it during operation using the stroke rate preselection thumbwheel **(1)**.

The required stroke rate is dependent on the material and the work conditions and can be determined using practical tests.

It is recommended that you reduce the stroke rate when placing the saw blade on the workpiece and when sawing plastic and aluminium.

During prolonged periods of use at a low stroke rate, the power tool may heat up significantly. Remove the saw blade and let the power tool run at the maximum stroke rate for around three minutes to cool down.

Temperature-dependent overload protection

In normal conditions of use, the power tool cannot be overloaded. If the power tool is overloaded or not kept within the permitted battery temperature range, the speed is reduced or the power tool switches off. At reduced speed, the power tool will run again at full speed once the permitted battery temperature is reached or the load is reduced. If it automatically shuts down, switch the power tool off, allow the battery to cool down, then switch the power tool back on.

Working Advice

- ▶ **Remove the battery from the power tool before carrying out work on the power tool (e.g. maintenance, changing tool, etc.). The battery should also be removed for transport and storage.** There is risk of injury from unintentionally pressing the on/off switch.
- ▶ **Switch the power tool off immediately if the saw blade becomes blocked.**
- ▶ **Always use a sturdy support when working on small or thin workpieces.**

Before sawing into wood, chipboard, building materials, etc., check for and remove any foreign objects such as nails, screws, etc.

Jigsaws are primarily designed for curved cuts. The range of products from **Bosch** also includes accessories which enable straight cuts or circular cuts (depending on the jigsaw model, e.g. parallel guide, guide rail or circle cutter).

Hand-held jigsaws generally tend to go off at an angle, i.e. under certain circumstances the angle and cutting accuracy can no longer be ensured. Decisive influencing factors on the accuracy are the saw blade thickness, cutting length and the material thickness and strength of the workpiece.

Therefore, always check using test cuts whether the cutting result of the selected system meets the requirements of your application.

Plunge cutting (see figure H)

- ▶ **Plunge cuts may only be applied to soft materials, such as wood, gypsum board, etc.**

For plunge cutting, use only short saw blades. Plunge cutting is possible only with a mitre angle of 0°.

Place the power tool so that the front edge of the base plate **(9)** rests on the workpiece, without the saw blade **(10)** touching the workpiece, and switch it on. On power tools with stroke rate control, select the maximum stroke rate.

Press the power tool firmly against the workpiece and allow the saw blade to plunge slowly into the workpiece.

As soon as the base plate **(9)** rests fully on the workpiece, continue sawing along the required cutting line.

Parallel guide with circle cutter (accessory)

When working with the parallel guide with circle cutter **(23)**, the workpiece must be no more than 30 mm thick.

Parallel cuts (see figure I): Loosen the locking screw **(22)** and slide the scale on the parallel guide through the guide **(21)** in the base plate. Adjust the desired cutting width as a scale value on the inside edge of the base plate. Retighten the locking screw **(22)**.

Circular cuts (see figure J): Drill a hole large enough to push the saw blade through on the cutting line within the circle to be cut. Machine the drill hole with a router or file so that the saw blade can lie flush with the cutting line.

Position the locking screw **(22)** on the other side of the parallel guide. Slide the scale on the parallel guide through the guide **(21)** into the base plate. Drill a hole in the workpiece in the middle of the section to be cut out. Insert the centring tip **(24)** through the inner opening of the parallel guide and into the drilled hole. Adjust the radius as a scale value on the inside edge of the base plate. Retighten the locking screw **(22)**.

Coolant/lubricant

As the material heats up along the cutting line when cutting metal, you should apply coolant or lubricant.

Maintenance and Service

Maintenance and Cleaning

- ▶ **Remove the battery from the power tool before carrying out work on the power tool (e.g. maintenance, changing tool, etc.). The battery should also be removed for transport and storage.** There is risk of injury from unintentionally pressing the on/off switch.
- ▶ **To ensure safe and efficient operation, always keep the power tool and the ventilation slots clean.**

Clean the saw blade receptacle regularly. For this, remove the saw blade from the power tool and lightly tap out the power tool on a level surface.

If the power tool becomes very dirty, this can lead to serious faults. For this reason, do not cut materials which generate large quantities of dust from below or overhead.

If the dust outlet becomes blocked, switch off the power tool, disconnect the dust extraction system and remove the dust and chips.

Apply a drop of oil to the guide roller **(12)** from time to time. Check the guide roller **(12)** regularly. If worn, it must be replaced through an authorised **Bosch** after-sales service centre.

After-Sales Service and Application Service

Our after-sales service responds to your questions concerning maintenance and repair of your product as well as spare

parts. You can find explosion drawings and information on spare parts at: www.bosch-pt.com

The Bosch product use advice team will be happy to help you with any questions about our products and their accessories.

In all correspondence and spare parts orders, please always include the 10-digit article number given on the nameplate of the product.

Malaysia

Robert Bosch Sdn. Bhd. (220975-V) PT/SMY

No. 8A, Jalan 13/6

46200 Petaling Jaya

Selangor

Tel.: (03) 79663194

Toll-Free: 1800 880188

Fax: (03) 79583838

E-Mail: kiathoe.chong@my.bosch.com

www.bosch-pt.com.my

You can find further service addresses at:

www.bosch-pt.com/serviceaddresses

Transport

The recommended lithium-ion batteries are subject to legislation on the transport of dangerous goods. The user can transport the batteries by road without further requirements.

When shipping by third parties (e.g.: by air transport or forwarding agency), special requirements on packaging and labelling must be observed. For preparation of the item being shipped, consulting an expert for hazardous material is required.

Dispatch battery packs only when the housing is undamaged. Tape or mask off open contacts and pack up the battery in such a manner that it cannot move around in the packaging. Please also observe the possibility of more detailed national regulations.

Disposal



Power tools, rechargeable batteries, accessories and packaging should be sorted for environmental-friendly recycling.



Do not dispose of power tools and batteries/rechargeable batteries into household waste!

Battery packs/batteries:

Li-ion:

Please observe the notes in the section on transport (see "Transport", page 12).

Français

Consignes de sécurité

Avertissements de sécurité généraux pour l'outil électrique

AVERTISSEMENT Lire tous les avertissements de sécurité, les instructions, les illustrations et les spécifications fournies avec cet outil électrique.

Ne pas suivre les instructions énumérées ci-dessous peut provoquer un choc électrique, un incendie et/ou une blessure sérieuse.

Conservation des avertissements et des instructions pour pouvoir s'y reporter ultérieurement.

Le terme "outil électrique" dans les avertissements fait référence à votre outil électrique alimenté par le secteur (avec cordon d'alimentation) ou votre outil électrique fonctionnant sur batterie (sans cordon d'alimentation).

Sécurité de la zone de travail

► Conserver la zone de travail propre et bien éclairée.

Les zones en désordre ou sombres sont propices aux accidents.

► Ne pas faire fonctionner les outils électriques en atmosphère explosive, par exemple en présence de liquides inflammables, de gaz ou de poussières.

Les outils électriques produisent des étincelles qui peuvent enflammer les poussières ou les fumées.

► Maintenir les enfants et les personnes présentes à l'écart pendant l'utilisation de l'outil électrique.

Les distractions peuvent vous faire perdre le contrôle de l'outil.

Sécurité électrique

► Il faut que les fiches de l'outil électrique soient adaptées au socle. Ne jamais modifier la fiche de quelque façon que ce soit. Ne pas utiliser d'adaptateurs avec des outils électriques à branchement de terre.

Des fiches non modifiées et des socles adaptés réduisent le risque de choc électrique.

► Éviter tout contact du corps avec des surfaces reliées à la terre telles que les tuyaux, les radiateurs, les cuisinières et les réfrigérateurs.

Il existe un risque accru de choc électrique si votre corps est relié à la terre.

► Ne pas exposer les outils électriques à la pluie ou à des conditions humides.

La pénétration d'eau à l'intérieur d'un outil électrique augmente le risque de choc électrique.

► Ne pas maltraiter le cordon. Ne jamais utiliser le cordon pour porter, tirer ou débrancher l'outil électrique. Maintenir le cordon à l'écart de la chaleur, du lubrifiant, des arêtes vives ou des parties en mouvement.

Des cordons endommagés ou emmêlés augmentent le risque de choc électrique.

► Lorsqu'on utilise un outil électrique à l'extérieur, utiliser un prolongateur adapté à l'utilisation extérieure.

L'utilisation d'un cordon adapté à l'utilisation extérieure réduit le risque de choc électrique.

- ▶ **Si l'usage d'un outil électrique dans un emplacement humide est inévitable, utiliser une alimentation protégée par un dispositif à courant différentiel résiduel (RCD).** L'usage d'un RCD réduit le risque de choc électrique.

Sécurité des personnes

- ▶ **Rester vigilant, regarder ce que vous êtes en train de faire et faire preuve de bon sens dans votre utilisation de l'outil électrique. Ne pas utiliser un outil électrique lorsque vous êtes fatigué ou sous l'emprise de drogues, de l'alcool ou de médicaments.** Un moment d'inattention en cours d'utilisation d'un outil électrique peut entraîner des blessures graves.
- ▶ **Utiliser un équipement de protection individuelle. Toujours porter une protection pour les yeux.** Les équipements de protection individuelle tels que les masques contre les poussières, les chaussures de sécurité antidérapantes, les casques ou les protections auditives utilisés pour les conditions appropriées réduisent les blessures.
- ▶ **Éviter tout démarrage intempestif. S'assurer que l'interrupteur est en position arrêt avant de brancher l'outil au secteur et/ou au bloc de batteries, de le ramasser ou de le porter.** Porter les outils électriques en ayant le doigt sur l'interrupteur ou brancher des outils électriques dont l'interrupteur est en position marche est source d'accidents.
- ▶ **Retirer toute clé de réglage avant de mettre l'outil électrique en marche.** Une clé laissée fixée sur une partie tournante de l'outil électrique peut donner lieu à des blessures.
- ▶ **Ne pas se précipiter. Garder une position et un équilibre adaptés à tout moment.** Cela permet un meilleur contrôle de l'outil électrique dans des situations inattendues.
- ▶ **S'habiller de manière adaptée. Ne pas porter de vêtements amples ou de bijoux. Garder les cheveux et les vêtements à distance des parties en mouvement.** Des vêtements amples, des bijoux ou les cheveux longs peuvent être pris dans des parties en mouvement.
- ▶ **Si des dispositifs sont fournis pour le raccordement d'équipements pour l'extraction et la récupération des poussières, s'assurer qu'ils sont connectés et correctement utilisés.** Utiliser des collecteurs de poussière peut réduire les risques dus aux poussières.
- ▶ **Rester vigilant et ne pas négliger les principes de sécurité de l'outil sous prétexte que vous avez l'habitude de l'utiliser.** Une fraction de seconde d'inattention peut provoquer une blessure grave.

Utilisation et entretien de l'outil électrique

- ▶ **Ne pas forcer l'outil électrique. Utiliser l'outil électrique adapté à votre application.** L'outil électrique adapté réalise mieux le travail et de manière plus sûre au régime pour lequel il a été construit.

- ▶ **Ne pas utiliser l'outil électrique si l'interrupteur ne permet pas de passer de l'état de marche à arrêt et inversement.** Tout outil électrique qui ne peut pas être commandé par l'interrupteur est dangereux et il faut le réparer.
- ▶ **Débrancher la fiche de la source d'alimentation et/ou enlever le bloc de batteries, s'il est amovible, avant tout réglage, changement d'accessoires ou avant de ranger l'outil électrique.** De telles mesures de sécurité préventives réduisent le risque de démarrage accidentel de l'outil électrique.
- ▶ **Conserver les outils électriques à l'arrêt hors de la portée des enfants et ne pas permettre à des personnes ne connaissant pas l'outil électrique ou les présentes instructions de le faire fonctionner.** Les outils électriques sont dangereux entre les mains d'utilisateurs novices.
- ▶ **Observer la maintenance des outils électriques et des accessoires. Vérifier qu'il n'y a pas de mauvais alignement ou de blocage des parties mobiles, des pièces cassées ou toute autre condition pouvant affecter le fonctionnement de l'outil électrique. En cas de dommages, faire réparer l'outil électrique avant de l'utiliser.** De nombreux accidents sont dus à des outils électriques mal entretenus.
- ▶ **Garder affûtés et propres les outils permettant de couper.** Des outils destinés à couper correctement entretenus avec des pièces coupantes tranchantes sont moins susceptibles de bloquer et sont plus faciles à contrôler.
- ▶ **Utiliser l'outil électrique, les accessoires et les lames etc., conformément à ces instructions, en tenant compte des conditions de travail et du travail à réaliser.** L'utilisation de l'outil électrique pour des opérations différentes de celles prévues peut donner lieu à des situations dangereuses.
- ▶ **Il faut que les poignées et les surfaces de préhension restent sèches, propres et dépourvues d'huiles et de graisses.** Des poignées et des surfaces de préhension glissantes rendent impossibles la manipulation et le contrôle en toute sécurité de l'outil dans les situations inattendues.

Utilisation des outils fonctionnant sur batteries et précautions d'emploi

- ▶ **Ne recharger qu'avec le chargeur spécifié par le fabricant.** Un chargeur qui est adapté à un type de bloc de batteries peut créer un risque de feu lorsqu'il est utilisé avec un autre type de bloc de batteries.
- ▶ **N'utiliser les outils électriques qu'avec des blocs de batteries spécifiquement désignés.** L'utilisation de tout autre bloc de batteries peut créer un risque de blessure et de feu.
- ▶ **Lorsqu'un bloc de batteries n'est pas utilisé, le maintenir à l'écart de tout autre objet métallique, par exemple trombones, pièces de monnaie, clés, clous, vis ou autres objets de petite taille qui peuvent donner**

lieu à une connexion d'une borne à une autre. Le court-circuitage des bornes d'une batterie entre elles peut causer des brûlures ou un feu.

- ▶ **Dans de mauvaises conditions, du liquide peut être éjecté de la batterie; éviter tout contact. En cas de contact accidentel, nettoyer à l'eau. Si le liquide entre en contact avec les yeux, rechercher en plus une aide médicale.** Le liquide éjecté des batteries peut causer des irritations ou des brûlures.
- ▶ **Ne pas utiliser un bloc de batteries ou un outil fonctionnant sur batteries qui a été endommagé ou modifié.** Les batteries endommagées ou modifiées peuvent avoir un comportement imprévisible provoquant un feu, une explosion ou un risque de blessure.
- ▶ **Ne pas exposer un bloc de batteries ou un outil fonctionnant sur batteries au feu ou à une température excessive.** Une exposition au feu ou à une température supérieure à 130 °C peut provoquer une explosion.
- ▶ **Suivre toutes les instructions de charge et ne pas charger le bloc de batteries ou l'outil fonctionnant sur batteries hors de la plage de températures spécifiée dans les instructions.** Un chargement incorrect ou à des températures hors de la plage spécifiée de températures peut endommager la batterie et augmenter le risque de feu.

Maintenance et entretien

- ▶ **Faire entretenir l'outil électrique par un réparateur qualifié utilisant uniquement des pièces de rechange identiques.** Cela assure le maintien de la sécurité de l'outil électrique.
- ▶ **Ne jamais effectuer d'opération d'entretien sur des blocs de batteries endommagés.** Il convient que l'entretien des blocs de batteries ne soit effectué que par le fabricant ou les fournisseurs de service autorisés.

Consignes de sécurité pour scies sauteuses

- ▶ **Tenir l'outil électrique par des surfaces de préhension isolées au cours d'une opération où l'accessoire de coupe peut être en contact avec des fils dissimulés.** Des accessoires de coupe en contact avec un fil "sous tension" peuvent mettre des parties métalliques exposées de l'outil électrique "sous tension" et provoquer un choc électrique chez l'opérateur.
- ▶ **Utiliser des pinces ou autre moyen pratique pour fixer et soutenir la pièce à usiner sur une plateforme stable.** Tenir la pièce à usiner par la main ou contre le corps la rend instable et peut conduire à une perte de contrôle.
- ▶ **N'approchez pas les mains de la zone de travail. Ne saisissez pas la pièce par en dessous dans la zone de travail.** Il y a un risque de blessure grave en cas de contact avec la lame de scie.
- ▶ **N'approchez l'outil électroportatif de la pièce à scier qu'après l'avoir mis en marche.** Il y a un risque de rebond au cas où la lame resterait coincée dans la pièce.

- ▶ **Veillez à ce que la plaque de base repose bien à plat contre la pièce lors du sciage.** Une lame de scie qui coince peut se casser ou provoquer un rebond.
- ▶ **Une fois le travail terminé, arrêtez l'outil électroportatif et attendez que la lame ne soit immobilisée avant de l'extraire de la pièce.** Tout risque de rebond est ainsi évité et l'outil électroportatif peut être posé en toute sécurité.
- ▶ **Avant de poser l'outil électroportatif, attendez que celui-ci soit complètement à l'arrêt.** L'outil risque de se coincer, ce qui entraînerait une perte de contrôle de l'outil électroportatif.
- ▶ **N'utilisez que des lames de scie en parfait état.** Les lames de scie déformées ou émoussées peuvent se casser, produire des coupes de mauvaise qualité ou causer des rebonds.
- ▶ **Après avoir arrêté l'outil, n'immobilisez pas la lame de scie en exerçant une pression latérale sur celle-ci.** La lame de scie risquerait d'être endommagée, de se casser ou de causer un rebond.
- ▶ **Utilisez l'outil électroportatif toujours avec la plaque de base.** Sans la plaque de base, l'outil électroportatif est difficile à maîtriser.
- ▶ **Utilisez un détecteur approprié pour vérifier s'il n'y a pas de conduites cachées ou contactez votre société de distribution d'eau locale.** Tout contact avec des câbles électriques peut provoquer un incendie ou un choc électrique. Tout endommagement d'une conduite de gaz peut provoquer une explosion. La perforation d'une conduite d'eau provoque des dégâts matériels.
- ▶ **Si l'accu est endommagé ou utilisé de manière non conforme, des vapeurs peuvent s'échapper. L'accu peut brûler ou exploser.** Ventilez le local et consultez un médecin en cas de malaise. Les vapeurs peuvent entraîner des irritations des voies respiratoires.
- ▶ **N'ouvrez pas l'accu.** Risque de court-circuit.
- ▶ **Les objets pointus comme un clou ou un tournevis et le fait d'exercer une force extérieure sur le boîtier risquent d'endommager l'accu.** Il peut en résulter un court-circuit interne et l'accu risque de s'enflammer, de dégager des fumées, d'exploser ou de surchauffer.
- ▶ **N'utilisez l'accu que sur les produits du fabricant.** Tout risque de surcharge dangereuse sera alors exclu.



Conservez la batterie à l'abri de la chaleur, en la protégeant p. ex. de l'ensoleillement direct, du feu, de la saleté, de l'eau et de l'humidité. Il existe un risque d'explosion et de courts-circuits.

Description des prestations et du produit



Lisez attentivement toutes les instructions et consignes de sécurité. Le non-respect des instructions et consignes de sécurité peut pro-

voquer un choc électrique, un incendie et/ou entraîner de graves blessures.
Référez-vous aux illustrations qui se trouvent à l'avant de la notice d'utilisation.

Utilisation conforme

L'outil électroportatif est conçu pour effectuer, sur un support stable, des découpes et coupes dans le bois, les matières plastiques, le métal, les plaques en céramique, le caoutchouc, les panneaux mélaminés HPL (High Pressure Laminated). Il permet d'effectuer des coupes droites et courbées jusqu'à un angle d'inclinaison de 45°. Respectez les recommandations d'utilisation des lames de scie.

Éléments constitutifs

La numérotation des éléments se réfère à la représentation de l'outil électroportatif sur la page graphique.

- (1) Molette de présélection de cadence de coupe
- (2) Verrouillage d'enclenchement de l'interrupteur Marche/Arrêt
- (3) Interrupteur Marche/Arrêt
- (4) Clé six pans mâle
- (5) Bouton de déverrouillage d'accu^{a)}
- (6) Accu^{a)}
- (7) Poignée (surface de préhension isolée)
- (8) Levier de réglage de mouvement pendulaire
- (9) Plaque de base
- (10) Lame de scie^{a)}
- (11) Protège-mains
- (12) Galet de guidage
- (13) Porte-lame
- (14) LED d'éclairage
- (15) Pare-éclats
- (16) Capot d'aspiration^{a)}
- (17) Tubulure d'aspiration^{a)}
- (18) Flexible d'aspiration^{a)}
- (19) Vis de la plaque de base
- (20) Échelle graduée d'angles d'inclinaison
- (21) Guidage pour la butée parallèle
- (22) Vis de blocage de la butée parallèle^{a)}
- (23) Butée parallèle avec compas^{a)}
- (24) Pointe de centrage du compas^{a)}

a) Les accessoires décrits ou illustrés ne sont pas tous compris dans la fourniture. Vous trouverez l'ensemble des accessoires dans notre gamme d'accessoires.

Caractéristiques techniques

Scie sauteuse sans-fil	GST 183-LI	
Référence	3 601 EB7 0..	
Tension nominale	V=	18
Cadence de coupe à vide n ₀ ^{A)}	min ⁻¹	0-3 300

Scie sauteuse sans-fil	GST 183-LI	
Course	mm	20
Profondeur de coupe maxi		
- dans le bois	mm	95
- dans l'aluminium	mm	15
- dans l'acier (non allié)	mm	8
Angle d'inclinaison (gauche/droite) maxi	°	45
Poids suivant EPTA-Procédure 01:2014	kg	2,0-3,0 ^{B)}
Températures ambiantes recommandées pour la charge	°C	0 ... +35
Températures ambiantes admissibles pendant l'utilisation ^{C)} et pour le stockage	°C	-20 ... +50
Accus compatibles		GBA 18V... ProCORE18V...
Accus recommandés		GBA 18V... ≥ 4,0 Ah ProCORE18V... ≥ 4,0 Ah
Chargeurs recommandés		GAL 18... GAX 18... GAL 36...

A) Mesuré à 20-25 °C avec accu **GBA 18V 4.0Ah**.

B) Dépend de l'accu utilisé

C) Performances réduites à des températures < 0 °C

Les valeurs peuvent varier selon le produit, les conditions d'utilisation et les conditions ambiantes. Pour plus d'informations, rendez-vous sur www.bosch-professional.com/wac.

Accu

Bosch vend ses outils électroportatifs sans-fil aussi sans accu. Il est indiqué sur l'emballage si un accu est fourni ou non avec l'outil électroportatif.

Recharge de l'accu

► **N'utilisez que les chargeurs indiqués dans les Caractéristiques techniques.** Seuls ces chargeurs sont adaptés à l'accu Lithium-Ion de votre outil électroportatif.

Remarque : Les dispositions internationales en vigueur pour le transport de marchandises obligent à livrer les accus Lithium-Ion partiellement chargés. Pour que les accus soient pleinement performants, chargez-les complètement avant leur première utilisation.

Mise en place de l'accu

Insérez l'accu dans le compartiment à accu jusqu'à ce qu'il s'enclenche.

Retrait de l'accu

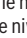
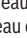
Pour retirer l'accu, appuyez sur le bouton de déverrouillage de l'accu et sortez l'accu de l'outil électroportatif. **Ne forcez pas.**

L'accu dispose d'un double verrouillage permettant d'éviter qu'il tombe si vous appuyez par mégarde sur le bouton de déverrouillage d'accu. Tant que l'accu est en place dans l'outil électroportatif, un ressort le maintient en position.

Indicateur de niveau de charge de l'accu

Remarque : Tous les types d'accu ne possèdent pas d'indicateur d'état de charge.

Les LED vertes de l'indicateur d'état de charge indiquent le niveau de charge de la batterie. Pour des raisons de sécurité, il n'est possible d'afficher l'état de charge que quand l'outil électroportatif est à l'arrêt.

Pour afficher le niveau de charge, appuyez sur le bouton de l'indicateur de niveau de charge  ou . L'affichage du niveau de charge est également possible après retrait de l'accu.

Si aucune LED ne s'allume après avoir appuyé sur le bouton de l'indicateur de niveau de charge, la batterie est défectueuse et doit être remplacée.

Batterie de type GBA 18V...



LED	Capacité
Allumage permanent en vert de 3 LED	60–100 %
Allumage permanent en vert de 2 LED	30–60 %
Allumage permanent en vert de 1 LED	5–30 %
Clignotement en vert de 1 LED	0–5 %

Batterie de type ProCORE18V...



LED	Capacité
Allumage permanent en vert de 5 LED	80–100 %
Allumage permanent en vert de 4 LED	60–80 %
Allumage permanent en vert de 3 LED	40–60 %
Allumage permanent en vert de 2 LED	20–40 %
Allumage permanent en vert de 1 LED	5–20 %
Clignotement en vert de 1 LED	0–5 %

Indications pour une utilisation optimale de la batterie

Protégez l'accu de l'humidité et de l'eau.

Ne stockez l'accu que dans la plage de températures de –20 à 50 °C. Ne laissez par ex. pas l'accu dans une voiture en plein été.

Nettoyez de temps en temps les orifices de ventilation de l'accu à l'aide d'un pinceau doux, propre et sec.

Une baisse notable de l'autonomie de l'accu au fil des recharges effectuées indique que l'accu est arrivé en fin de vie et qu'il doit être remplacé.

Respectez les indications concernant l'élimination.

Montage

- **Retirez l'accu de l'appareil électroportatif avant toute intervention (opérations d'entretien/de maintenance, changement d'accessoire, etc.) ainsi que lors de son transport et rangement.** Il y a sinon risque de blessure lorsqu'on appuie par mégarde sur l'interrupteur Marche/Arrêt.

Montage/changement de la lame de scie

- **Portez des gants de protection lors du montage ou du remplacement de l'accessoire de travail.** Les accessoires de travail sont tranchants et peuvent devenir chauds lors d'une utilisation prolongée de la scie.

Choix de la lame de scie

Vous trouverez une vue d'ensemble des lames de scie recommandées à la fin de cette notice d'utilisation. N'utilisez que des lames à emmanchement à simple accroche (emmanchement en T). Choisissez toujours une lame de scie pas plus longue que nécessaire pour la coupe à effectuer.

Pour le sciage de courbes serrées, utilisez des lames de scie fines à chantourner.

Mise en place de la lame de scie (voir figure A)

- **Nettoyez la queue de la lame avant de la mettre en place.** Une queue sale ne peut pas être fixée de manière sûre et ferme.

Introduisez jusqu'au déclik la lame de scie (10) dans le porte-lame (13) avec les dents orientées dans le sens de la coupe.

Lors du montage de la lame de scie, veillez à ce que le dos de la lame se trouve bien dans la gorge du galet de guidage (12).

- **Vérifiez le serrage de la lame.** Une lame qui a du jeu peut tomber et risque de vous blesser.

Retrait de la lame de scie (voir figure B)

Glissez le porte-lame (13) vers le haut dans le sens de la flèche et retirez la lame (10).

Pare-éclats (voir figure C)

Le pare-éclats (15) évite la formation d'éclats sur les bords lors du sciage de bois. Le pare-éclats ne peut être utilisé que pour certains types de lames de scie et pour un angle de coupe de 0°.

Pressez par le bas le pare-éclats (15) dans la plaque de base (9).

Aspiration de poussières/de copeaux

Les poussières de matériaux tels que peintures contenant du plomb, certains bois, minéraux ou métaux, peuvent être nuisibles à la santé. Le contact avec les poussières ou leur inhalation peut entraîner des réactions allergiques et/ou des maladies respiratoires auprès de l'utilisateur ou des personnes se trouvant à proximité.

Certaines poussières telles que les poussières de chêne ou de hêtre sont considérées comme cancérigènes, surtout en

association avec des additifs pour le traitement du bois (chromate, lasure). Les matériaux contenant de l'amiante ne doivent être travaillés que par des personnes qualifiées.

- Si possible, utilisez un dispositif d'aspiration des poussières approprié au matériau.
- Veillez à bien aérer la zone de travail.
- Il est recommandé de porter un masque respiratoire avec un niveau de filtration de classe P2.

Respectez les règlements spécifiques aux matériaux à traiter en vigueur dans votre pays.

► **Évitez toute accumulation de poussières sur le lieu de travail.** Les poussières peuvent facilement s'enflammer.

Capot de protection (voir figure D)

Montez le capot de protection (16) avant de raccorder l'outil électroportatif à un aspirateur.

Placez le capot de protection (16) sur l'outil électroportatif de sorte que la fixation s'enclenche sur le protège-mains (11).

Pour les travaux sans aspirateur ainsi que pour effectuer des coupes biaisées, retirez le capot de protection (16). Dégagez pour cela le capot de protection vers l'avant du protège-mains (11).

Raccordement d'un aspirateur (voir figures E-F)

Logez la tubulure d'aspiration (17) dans l'évidement de la plaque de base (9).

Veillez à ce que l'ergot de la tubulure d'aspiration s'enclenche dans l'orifice de la plaque de base (9), comme représenté sur la figure E.

Raccordez un tuyau d'aspiration (18) (accessoire) à la tubulure d'aspiration (17). Raccordez l'autre extrémité du tuyau d'aspiration (18) à un aspirateur (accessoire).

Vous trouverez à la fin de cette notice une vue d'ensemble des aspirateurs auxquels peut être raccordé l'outil électroportatif.

Pour obtenir une aspiration optimale, montez si possible le pare-éclats (15).

L'aspirateur doit être conçu pour le type de matériau à scier.

Pour l'aspiration de poussières particulièrement nuisibles à la santé, cancérigènes ou sèches, utilisez un aspirateur spécial.

Mise en marche

Modes de fonctionnement

► **Retirez l'accu de l'appareil électroportatif avant toute intervention (opérations d'entretien/de maintenance, changement d'accessoire, etc.) ainsi que lors de son transport et rangement.** Il y a sinon risque de blessure lorsqu'on appuie par mégarde sur l'interrupteur Marche/Arrêt.

Réglage du mouvement pendulaire

Le mouvement pendulaire réglable sur quatre positions permet d'adapter la vitesse de coupe, l'amplitude de la course et la qualité de coupe au type de matériau à découper.

L'amplitude du mouvement pendulaire peut être réglée même en cours d'utilisation au moyen du levier de sélection (8).

Position 0	sans mouvement pendulaire
Position I	petit mouvement pendulaire
Position II	mouvement pendulaire moyen
Position III	grand mouvement pendulaire

L'amplitude optimale du mouvement pendulaire pour chaque utilisation doit être déterminée lors d'essais pratiques. Recommandations :

- Pour obtenir des bords de coupe particulièrement nets, optez pour un mouvement pendulaire de faible amplitude ou désactivez le mouvement pendulaire.
- Pour la découpe de matériaux minces (par ex. des tôles), désactivez le mouvement pendulaire.
- Pour les matériaux durs (par ex. l'acier), sélectionnez un mouvement pendulaire de petite amplitude.
- Pour les matériaux tendres et pour découper du bois, sélectionnez l'amplitude de mouvement pendulaire maximale.

Réglage de l'angle d'inclinaison pour coupes biaisées (voir figure G)


La plaque de base (9) peut être orientée vers la droite ou vers la gauche jusqu'à un angle de 45° pour réaliser des coupes biaisées.

Le capot de protection (16) et le pare-éclats (15) ne peuvent pas être utilisés lors de la réalisation de coupes biaisées.

- Poussez la tubulure d'aspiration (17) légèrement vers le haut et retirez-la de la plaque de base (9).
- Retirez le capot d'aspiration (16) et le pare-éclats (15).
- Desserrez la vis (19) avec la clé mâle pour vis à six pans creux (4) et faites glisser légèrement la plaque de base (9) en direction de la lame de scie (10).
- Pour le réglage précis de l'angle d'inclinaison, la plaque de base dispose à gauche et à droite de crantages à 0° et 45°. Basculez la plaque de base (9) dans la position souhaitée d'après l'échelle graduée (20). D'autres angles d'inclinaison peuvent être réglés à l'aide d'un rapporteur.
- Poussez ensuite la plaque de base (9) à fond en direction de l'accu.
- Resserrez la vis (19).

Mise en marche

Mise en marche/arrêt

Pour **mettre en marche** l'outil électroportatif, actionnez d'abord le verrouillage d'enclenchement (2) près du symbole  afin de le désactiver. Appuyez ensuite sur l'interrupteur Marche/Arrêt (3) et maintenez-le enfoncé.

La LED s'allume dès que l'interrupteur Marche/Arrêt (3) est enfoncé un peu ou complètement. Elle permet d'éclairer la zone de travail dans les endroits sombres.

► **Ne regardez pas directement les LED. Risque d'éblouissement.**

Pour **arrêter** l'outil électroportatif, relâchez l'interrupteur Marche/Arrêt (3). Activez ensuite le verrouillage d'enclenchement (2) en appuyant dessus près du symbole 6.

Contrôle/présélection de la cadence de coupe

La cadence de coupe peut être modifiée en continu en exerçant une pression plus ou moins importante sur l'interrupteur Marche/Arrêt (3).

Une légère pression sur l'interrupteur Marche/Arrêt (3) donne une faible cadence de coupe. Plus la pression exercée sur l'interrupteur est élevée, plus la cadence de coupe augmente.

La molette de présélection (1) permet de présélectionner la cadence de coupe et de la modifier en cours de fonctionnement.

La cadence de coupe idéale dépend de la nature du matériau et des conditions de travail. Il est conseillé de la déterminer en procédant à des essais préalables.

Il est recommandé de réduire la cadence de coupe au moment où la lame de scie est appliquée contre la pièce ainsi que lors de la découpe de matières plastiques ou d'aluminium.

Lors de travaux de coupe assez longs avec une faible cadence de coupe, l'outil électroportatif risque de chauffer fortement. Retirez la lame de scie et faites tourner l'outil électroportatif à sa cadence de coupe maximale pendant environ 3 minutes afin de refroidir le moteur.

Protection contre les surcharges en cas de surchauffe

Si l'outil électroportatif est utilisé de manière conforme, tout risque de surcharge est exclu. En cas de trop forte sollicitation de l'outil ou de surchauffe de l'accu, la vitesse de rotation est réduite ou l'outil électroportatif s'arrête. Après une réduction de la vitesse de rotation, l'outil électroportatif ne se remet à fonctionner à pleine vitesse qu'une fois que la température de l'accu repasse dans la plage des températures admissibles ou que l'outil est moins sollicité. Après un arrêt automatique, éteignez l'outil électroportatif pour laisser refroidir l'accu puis remettez-le en marche.

Instructions d'utilisation

- ▶ **Retirez l'accu de l'appareil électroportatif avant toute intervention (opérations d'entretien/de maintenance, changement d'accessoire, etc.) ainsi que lors de son transport et rangement.** Il y a sinon risque de blessure lorsqu'on appuie par mégarde sur l'interrupteur Marche/Arrêt.
- ▶ **Arrêtez immédiatement l'appareil électroportatif lorsque la lame coince.**
- ▶ **Pour travailler des petites pièces ou des pièces minces, utilisez un support stable.**

Avant de scier dans le bois, les panneaux d'agglomérés, les matériaux de construction etc., vérifiez s'ils contiennent des corps étrangers tels que clous, vis etc., et, le cas échéant, retirez-les.

Les scies sauteuses sont surtout conçues pour effectuer des coupes courbées et incurvées. L'assortiment **Bosch** inclut

aussi des accessoires permettant d'effectuer des coupes droites ou circulaires (p. ex. butée parallèle, rail de guidage ou compas).

Les scies sauteuses ont naturellement tendance à s'écarter de la ligne de coupe tracée, si bien qu'il n'est pas toujours possible d'effectuer des coupes droites et biaisées de grande précision. La précision des coupes dépend de l'épaisseur de la lame, de la longueur de coupe, de l'épaisseur et de la densité de matière de la pièce à découper.

Effectuez pour cette raison toujours des coupes d'essai pour voir s'il est possible d'obtenir des résultats de coupe conformes aux attentes et exigences de l'application.

Coupes plongeantes (voir figure H)

- ▶ **Il n'est possible d'effectuer des coupes plongeantes que pour des matériaux tendres tels que le bois, les plaques de plâtre, etc. !**

N'utilisez que des lames pour effectuer des coupes plongeantes. Les coupes plongeantes ne sont possibles qu'avec un angle d'inclinaison de 0°.

Positionnez l'outil électroportatif avec le bord avant de la plaque de base (9) sur la pièce, sans que la lame de scie (10) ne vienne en contact avec la pièce, et mettez l'outil électroportatif en marche. Si l'outil électroportatif dispose d'un variateur de vitesse, sélectionnez la cadence de coupe maximale. Appliquez fermement l'outil électroportatif contre la pièce et laissez lentement la lame plonger dans la pièce.

Dès que la plaque de base (9) repose de toute sa surface sur la pièce, mettez-vous à scier le long de la ligne de coupe préalablement tracée.

Butée parallèle avec compas (accessoire)

Pour pouvoir utiliser la butée parallèle avec compas (23), l'épaisseur de la pièce ne doit pas dépasser 30 mm.

Coupes parallèles (voir figure I) : desserrez la vis de blocage (22) et faites passer l'échelle graduée de la butée parallèle à travers le guidage (21) de la plaque de base. Réglez le largeur de coupe souhaitée sur l'échelle graduée se trouvant sur le bord intérieur de la plaque de base. Resserrez la vis de blocage (22).

Coupes circulaires (voir figure J) : percez près de la ligne de coupe, à l'intérieur du cercle à découper, un trou de diamètre suffisant pour permettre le passage de la lame de scie. Élargissez le trou à l'aide d'une fraise ou d'une lime pour permettre à la lame de scie d'être au ras de la ligne de coupe. Placez la vis de blocage (22) de l'autre côté de la butée parallèle. Faites passer l'échelle graduée de la butée parallèle à travers le guidage (21) de la plaque de base. Percez dans la pièce un trou au centre de la découpe à effectuer. Insérez la pointe de centrage (24) dans l'ouverture intérieure de la butée parallèle et dans le trou percé. Réglez le rayon sur l'échelle graduée se trouvant sur le bord intérieur de la plaque de base. Resserrez la vis de blocage (22).

Liquides de refroidissement/lubrifiant

Pour la découpe de métal, appliquez un lubrifiant ou un liquide de refroidissement le long de la ligne de coupe.

Entretien et Service après-vente

Nettoyage et entretien

- **Retirez l'accu de l'appareil électroportatif avant toute intervention (opérations d'entretien/de maintenance, changement d'accessoire, etc.) ainsi que lors de son transport et rangement.** Il y a sinon risque de blessure lorsqu'on appuie par mégarde sur l'interrupteur Marche/Arrêt.
- **Tenez toujours propres l'outil électroportatif ainsi que les fentes de ventilation afin d'obtenir un travail impeccable et sûr.**

Nettoyez régulièrement le porte-lame. Pour ce faire, retirez la lame de scie de l'outil électroportatif et tapotez légèrement l'outil électroportatif contre une surface plane pour faire tomber les poussières.

Un fort encrassement de l'outil électroportatif risque d'altérer son bon fonctionnement. Pour cette raison, ne sciez jamais les matériaux produisant beaucoup de poussière par dessous ou dans une position en hauteur.

Si l'évacuation de la poussière se fait mal, arrêtez l'outil électroportatif, débranchez l'aspirateur et retirez la poussière et les copeaux.

Graissez de temps en temps le galet de guidage (12) avec une goutte d'huile.

Contrôlez régulièrement l'état du galet de guidage (12). S'il est usé, faites-le remplacer dans un centre de service après-vente pour outillage **Bosch** agréé.

Service après-vente et conseil utilisateurs

Notre Service après-vente répond à vos questions concernant la réparation et l'entretien de votre produit et les pièces de rechange. Vous trouverez des vues éclatées et des informations sur les pièces de rechange sur le site :

www.bosch-pt.com

L'équipe de conseil utilisateurs Bosch se tient à votre disposition pour répondre à vos questions concernant nos produits et leurs accessoires.

Pour toute demande de renseignement ou toute commande de pièces de rechange, précisez impérativement la référence à 10 chiffres figurant sur l'étiquette signalétique du produit.

Maroc

Robert Bosch Morocco SARL
53, Rue Lieutenant Mahrhoud Mohamed
20300 Casablanca
Tel. : +212 5 29 31 43 27
E-Mail : sav.outillage@ma.bosch.com

Vous trouverez d'autres adresses du service après-vente sous :

www.bosch-pt.com/serviceaddresses

Transport

Les accus Lithium-ion recommandés sont soumis à la réglementation relative au transport de matières dangereuses.

Pour le transport sur route par l'utilisateur, aucune autre mesure n'a besoin d'être prise.

Lors d'une expédition par un tiers (par ex. transport aérien ou entreprise de transport), des mesures spécifiques doivent être prises concernant l'emballage et le marquage. Pour la préparation de l'envoi, faites-vous conseiller par un expert en transport de matières dangereuses.

N'expédiez que des accus dont le boîtier n'est pas endommagé. Recouvrez les contacts non protégés et emballez l'accu de manière à ce qu'il ne puisse pas se déplacer dans l'emballage. Veuillez également respecter les réglementations supplémentaires éventuellement en vigueur.

Élimination des déchets



Les outils électroportatifs, les accus ainsi que leurs accessoires et emballages doivent être rapportés dans un centre de recyclage respectueux de l'environnement.



Ne jetez pas les outils électroportatifs et les accus/piles avec les ordures ménagères !

Accus/piles :

Li-Ion :

Veuillez respecter les indications se trouvant dans le chapitre Transport (voir « Transport », Page 19).

Português

Instruções de segurança

Instruções gerais de segurança para ferramentas eléctricas

⚠ AVISO

Devem ser lidas todas as indicações de segurança,

instruções, ilustrações e especificações desta ferramenta eléctrica. O desrespeito das instruções apresentadas abaixo poderá resultar em choque eléctrico, incêndio e/ou ferimentos graves.

Guarde bem todas as advertências e instruções para futura referência.

O termo "ferramenta eléctrica" utilizado a seguir nas indicações de advertência, refere-se a ferramentas eléctricas operadas com corrente de rede (com cabo de rede) e a ferramentas eléctricas operadas com acumulador (sem cabo de rede).

Segurança da área de trabalho

- **Mantenha a sua área de trabalho sempre limpa e bem iluminada.** Desordem ou áreas de trabalho insuficientemente iluminadas podem levar a acidentes.
- **Não trabalhar com a ferramenta eléctrica em áreas com risco de explosão, nas quais se encontrem**

líquidos, gases ou pós inflamáveis. Ferramentas eléctricas produzem faíscas, que podem inflamar pós ou vapores.

- ▶ **Manter crianças e outras pessoas afastadas da ferramenta eléctrica durante a utilização.** No caso de distração é possível que perca o controlo sobre o aparelho.

Segurança eléctrica

- ▶ **A ficha de conexão da ferramenta eléctrica deve caber na tomada. A ficha não deve ser modificada de maneira alguma. Não utilizar uma ficha de adaptação junto com ferramentas eléctricas protegidas por ligação à terra.** Fichas não modificadas e tomadas apropriadas reduzem o risco de um choque eléctrico.
- ▶ **Evitar que o corpo possa entrar em contacto com superfícies ligadas à terra, como tubos, aquecimentos, fogões e frigoríficos.** Há um risco elevado devido a um choque eléctrico, se o corpo estiver ligado à terra.
- ▶ **Manter o aparelho afastado de chuva ou humidade.** A infiltração de água numa ferramenta eléctrica aumenta o risco de choque eléctrico.
- ▶ **Não deverá utilizar o cabo para outras finalidades. Nunca utilizar o cabo para transportar a ferramenta eléctrica, para pendurá-la, nem para puxar a ficha da tomada. Manter o cabo afastado do calor, do óleo, de arestas afiadas ou de peças em movimento.** Cabos danificados ou emaranhados aumentam o risco de um choque eléctrico.
- ▶ **Se trabalhar com uma ferramenta eléctrica ao ar livre, só deverá utilizar cabos de extensão apropriados para áreas exteriores.** A utilização de um cabo de extensão apropriado para áreas exteriores reduz o risco de um choque eléctrico.
- ▶ **Se não for possível evitar o funcionamento da ferramenta eléctrica em áreas húmidas, deverá ser utilizado um disjuntor de corrente de avaria.** A utilização de um disjuntor de corrente de avaria reduz o risco de um choque eléctrico.

Segurança de pessoas

- ▶ **Esteja atento, observe o que está a fazer e tenha prudência ao trabalhar com a ferramenta eléctrica. Não utilizar uma ferramenta eléctrica quando estiver fatigado ou sob a influência de drogas, álcool ou medicamentos.** Um momento de descuido ao utilizar a ferramenta eléctrica, pode levar a lesões graves.
- ▶ **Utilizar equipamento de protecção individual. Utilizar sempre óculos de protecção.** A utilização de equipamento de protecção pessoal, como máscara de protecção contra pó, sapatos de segurança antiderrapantes, capacete de segurança ou protecção auricular, de acordo com o tipo e aplicação da ferramenta eléctrica, reduz o risco de lesões.
- ▶ **Evitar uma colocação em funcionamento involuntária. Assegure-se de que a ferramenta eléctrica esteja desligada, antes de conectá-la à alimentação de rede**

e/ou ao acumulador, antes de levantá-la ou de transportá-la. Se tiver o dedo no interruptor ao transportar a ferramenta eléctrica ou se o aparelho for conectado à alimentação de rede enquanto estiver ligado, poderão ocorrer acidentes.

- ▶ **Remover ferramentas de ajuste ou chaves de boca antes de ligar a ferramenta eléctrica.** Uma ferramenta ou chave que se encontre numa parte do aparelho em movimento pode levar a lesões.
- ▶ **Evite uma posição anormal. Mantenha uma posição firme e mantenha sempre o equilíbrio.** Desta forma é mais fácil controlar a ferramenta eléctrica em situações inesperadas.
- ▶ **Usar roupa apropriada. Não usar roupa larga nem jóias. Mantenha os cabelos e roupas afastados de peças em movimento.** Roupas frouxas, cabelos longos ou jóias podem ser agarrados por peças em movimento.
- ▶ **Se for possível montar dispositivos de aspiração ou de recolha, assegure-se de que estejam conectados e utilizados correctamente.** A utilização de uma aspiração de pó pode reduzir o perigo devido ao pó.
- ▶ **Não deixe que a familiaridade resultante de uma utilização frequente de ferramentas permita que você se torne complacente e ignore os princípios de segurança da ferramenta.** Uma acção descuidada pode causar ferimentos graves numa fracção de segundo.

Utilização e manuseio cuidadoso de ferramentas eléctricas

- ▶ **Não sobrecarregue a ferramenta eléctrica. Utilize a ferramenta eléctrica apropriada para o seu trabalho.** É melhor e mais seguro trabalhar com a ferramenta eléctrica apropriada na área de potência indicada.
- ▶ **Não utilizar uma ferramenta eléctrica com um interruptor defeituoso.** Uma ferramenta eléctrica que não pode mais ser ligada nem desligada, é perigosa e deve ser reparada.
- ▶ **Puxar a ficha da tomada e/ou remover o acumulador, se amovível, antes de executar ajustes na ferramenta eléctrica, de substituir acessórios ou de guardar as ferramentas eléctricas.** Esta medida de segurança evita o arranque involuntário da ferramenta eléctrica.
- ▶ **Guardar ferramentas eléctricas não utilizadas fora do alcance de crianças e não permitir que as pessoas que não estejam familiarizadas com o aparelho ou que não tenham lido estas instruções utilizem o aparelho.** Ferramentas eléctricas são perigosas se forem utilizadas por pessoas inexperientes.
- ▶ **Tratar a ferramenta eléctrica e os acessórios com cuidado. Controlar se as partes móveis do aparelho funcionam perfeitamente e não emperram, e se há peças quebradas ou danificadas que possam prejudicar o funcionamento da ferramenta eléctrica. Permitir que peças danificadas sejam reparadas antes da utilização.** Muitos acidentes têm como causa, a manutenção insuficiente de ferramentas eléctricas.

- ▶ **Manter as ferramentas de corte afiadas e limpas.** Ferramentas de corte cuidadosamente tratadas e com cantos de corte afiados emperram com menos frequência e podem ser conduzidas com maior facilidade.
- ▶ **Utilizar a ferramenta eléctrica, acessórios, ferramentas de aplicação, etc. conforme estas instruções. Considerar as condições de trabalho e a tarefa a ser executada.** A utilização de ferramentas eléctricas para outras tarefas a não ser as aplicações previstas, pode levar a situações perigosas.
- ▶ **Mantenha os punhos e as superfícies de agarrar secas, limpas e livres de óleo e massa consistente.** Punhos e superfícies de agarrar escorregadias não permitem o manuseio e controle seguros da ferramenta em situações inesperadas.

Manuseio e utilização cuidadosos de ferramentas com acumuladores

- ▶ **Só carregar acumuladores em carregadores recomendados pelo fabricante.** Há perigo de incêndio se um carregador apropriado para um certo tipo de acumuladores for utilizado para carregar acumuladores de outros tipos.
- ▶ **Só utilizar ferramentas eléctricas com os acumuladores apropriados.** A utilização de outros acumuladores pode levar a lesões e perigo de incêndio.
- ▶ **Manter o acumulador que não está sendo utilizado afastado de cliques, moedas, chaves, parafusos ou outros pequenos objectos metálicos que possam causar um curto-circuito dos contactos.** Um curto-circuito entre os contactos do acumulador pode ter como consequência queimaduras ou fogo.
- ▶ **No caso de aplicação incorrecta pode vaziar líquido do acumulador. Evitar o contacto. No caso de um contacto accidental, deverá enxaguar com água. Se o líquido entrar em contacto com os olhos, também deverá consultar um médico.** Líquido que escapa do acumulador pode levar a irritações da pele ou a queimaduras.
- ▶ **Não use um acumulador ou uma ferramenta danificada ou modificada.** Os acumuladores danificados ou modificados exibem um comportamento imprevisível podendo causar incêndio, explosão ou risco de lesão.
- ▶ **Não exponha o acumulador ou a ferramenta ao fogo ou temperatura excessiva.** A exposição ao fogo ou a temperaturas acima de 130 °C pode causar explosão.
- ▶ **Siga todas as instruções de carregamento e não carregue o acumulador ou a ferramenta fora da faixa de temperatura especificada no manual de instruções.** Carregar indevidamente ou em temperaturas fora da faixa especificada pode danificar o acumulador e aumentar o risco de incêndio.

Serviço

- ▶ **Só permita que o seu aparelho seja reparado por pessoal especializado e qualificado e só com peças de reposição originais.** Desta forma é assegurado o funcionamento seguro do aparelho.

- ▶ **Nunca tente reparar acumuladores danificados.** A reparação de acumuladores deve ser realizada apenas pelo fabricante ou agentes de assistência autorizados.

Indicações de segurança para serras verticais

- ▶ **Segure a ferramenta eléctrica nas superfícies de agarrar isoladas, ao executar uma operação onde o acessório de corte possa entrar em contacto com cabos escondidos.** Se o acessório de corte entrar em contacto com um fio "sob tensão", as partes metálicas expostas da ferramenta eléctrica ficam "sob tensão" e podem produzir um choque eléctrico.
- ▶ **Use grampos ou outra forma prática para fixar e suportar a peça a trabalhar numa plataforma estável.** Segurar a peça a trabalhar com a mão ou contra o seu corpo, deixa a peça instável e pode perder o controlo.
- ▶ **Manter as mãos afastadas da área de serrar. Não tocar na peça a ser trabalhada pelo lado de baixo.** Há perigo de lesões no caso de contacto com a lâmina de serra.
- ▶ **Só conduzir a ferramenta eléctrica no sentido da peça a ser trabalhada quando estiver ligada.** Caso contrário há risco de um contragolpe, se a ferramenta de aplicação se enganchar na peça a ser trabalhada.
- ▶ **Certifique-se de que a placa de base está sempre firmemente apoiada enquanto está a serrar.** Uma lâmina de serra emperrada pode quebrar ou provocar um contragolpe.
- ▶ **Após encerrado o processo de trabalho, deverá desligar a ferramenta eléctrica e apenas puxar a lâmina de serra do corte, quando a ferramenta eléctrica estiver parada.** Desta forma são evitados contragolpes e é possível apoiar a ferramenta eléctrica com segurança.
- ▶ **Espere que a ferramenta eléctrica pare completamente, antes de depositá-la.** A ferramenta de aplicação pode emperrar e levar à perda de controlo sobre a ferramenta eléctrica.
- ▶ **Só utilizar lâminas de serra que estejam em perfeito estado e que não apresentem danos.** Lâminas de serrar tortas e não suficiente afiadas podem quebrar, influenciar negativamente o corte ou causar um contragolpe.
- ▶ **Não travar a lâmina de serra através de pressão lateral após desligar o aparelho.** A lâmina de serra pode ser danificada, ser quebrada ou causar um contragolpe.
- ▶ **Utilize a ferramenta eléctrica exclusivamente com placa base.** Ao trabalhar sem placa base existe o perigo de não conseguir controlar a ferramenta eléctrica.
- ▶ **Utilizar detetores apropriados, para encontrar cabos escondidos, ou consulte a companhia eléctrica local.** O contacto com cabos eléctricos pode provocar fogo e choques eléctricos. Danos em tubos de gás podem levar à explosão. A infiltração num cano de água provoca danos materiais.
- ▶ **Em caso de danos e de utilização incorreta da bateria, podem escapar vapores. A bateria pode incendiar-se ou explodir.** Areje o espaço e procure assistência médica

no caso de apresentar queixas. É possível que os vapores irritem as vias respiratórias.

- ▶ **Não abrir o acumulador.** Há risco de um curto-circuito.
- ▶ **Os objetos afiados como, p. ex., pregos ou chaves de fendas, assim como o efeito de forças externas podem danificar o acumulador.** Podem causar um curto-circuito interno e o acumulador pode ficar queimado, deitar fumo, explodir ou sobreaquecer.
- ▶ **Utilize a bateria apenas em produtos do fabricante.** Só assim é que a bateria é protegida contra sobrecarga perigosa.



Proteger a bateria contra calor, p. ex. também contra uma permanente radiação solar, fogo, sujidade, água e humidade. Há risco de explosão ou de um curto-circuito.

Descrição do produto e do serviço



Leia todas as instruções de segurança e instruções. A inobservância das instruções de segurança e das instruções pode causar choque elétrico, incêndio e/ou ferimentos graves.

Respeite as figuras na parte da frente do manual de instruções.

Utilização adequada

A ferramenta elétrica destina-se à realização de cortes e recortes em madeira, plástico, metal, placas de cerâmica, borracha e laminado/HPL (High Pressure Laminate) sobre uma base firme. É apropriada para cortes a direito e curvos com um ângulo de meia-esquadria até 45°. Observar as recomendações da lâmina de serra.

Componentes ilustrados

A numeração dos componentes ilustrados refere-se à apresentação da ferramenta elétrica na página de esquemas.

- (1) Roda de ajuste da pré-seleção do número de cursos
- (2) Bloqueio de ligação para o interruptor de ligar/desligar
- (3) Interruptor de ligar/desligar
- (4) Chave sextavada interior
- (5) Tecla de desbloqueio da bateria^{a)}
- (6) Bateria^{a)}
- (7) Punho (superfície do punho isolada)
- (8) Alavanca para ajuste do movimento pendular
- (9) Placa base
- (10) Lâmina de serra^{a)}
- (11) Proteção contra contacto
- (12) Rolete de guia
- (13) Encaixe para o encadouro da lâmina de serra
- (14) Luz de trabalho

- (15) Proteção contra o arranque de aparas
- (16) Tampa de cobertura para aspiração^{a)}
- (17) Bocal de aspiração^{a)}
- (18) Mangueira de aspiração^{a)}
- (19) Parafuso placa base
- (20) Escala do ângulo de meia-esquadria
- (21) Guia para guia paralela
- (22) Parafuso de fixação da guia paralela^{a)}
- (23) Guia paralela com cortador circular^{a)}
- (24) Ponta centradora do cortador circular^{a)}

a) **Acessórios apresentados ou descritos não pertencem ao volume de fornecimento padrão. Todos os acessórios encontram-se no nosso programa de acessórios.**

Dados técnicos

Serra vertical sem fio	GST 183-LI	
Número de produto		3 601 EB7 0..
Tensão nominal	V=	18
N.º de cursos em vazio n ₀ ^{A)}	c.p.m.	0–3300
Curso	mm	20
Máx. profundidade de corte		
– em madeira	mm	95
– em alumínio	mm	15
– em aço (não ligado)	mm	8
Ângulo de corte (esquerda/direita) máx.	°	45
Peso conforme EPTA-Procedure 01:2014	kg	2,0–3,0 ^{B)}
Temperatura ambiente recomendada durante o carregamento	°C	0 ... +35
Temperatura ambiente admissível em funcionamento ^{C)} e durante o armazenamento	°C	-20 ... +50
Baterias compatíveis		GBA 18V... ProCORE18V...
Baterias recomendadas		GBA 18V... ≥ 4,0 Ah ProCORE18V... ≥ 4,0 Ah
Carregadores recomendados		GAL 18... GAX 18... GAL 36...

A) Medido a 20–25 °C com bateria **GBA 18V 4.0Ah**.

B) dependendo da bateria utilizada

C) Potência limitada com temperaturas <0 °C

Os valores podem variar em função do produto e estar sujeitos a condições de aplicação e do meio ambiente. Para mais informações consulte www.bosch-professional.com/wac.

Bateria

Bosch vende ferramentas elétricas sem fio também sem bateria. Pode consultar na embalagem se está incluída uma bateria no volume de fornecimento da sua ferramenta elétrica.

Carregar a bateria

- **Utilize apenas os carregadores listados nos dados técnicos.** Só estes carregadores são apropriados para os baterias de lítio utilizadas para a sua ferramenta elétrica.

Nota: devido a normas de transporte internacionais, as baterias de lítio são fornecidas parcialmente carregadas. Para assegurar a completa potência da bateria, a bateria deverá ser carregada completamente antes da primeira utilização.

Colocar a bateria

Insira a bateria carregada no respetivo encaixe, até que esta esteja engatada.

Retirar a bateria

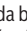
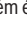
Para retirar a bateria, pressione a respetiva tecla de desbloqueio e puxe a bateria para fora. **Não empregue força.**

A bateria possui 2 níveis de travamento, que devem evitar, que a bateria caia, caso a tecla de desbloqueio da bateria seja premida por acaso. Enquanto a bateria estiver dentro da ferramenta elétrica, ela é mantida em posição por uma mola.

Indicador do nível de carga da bateria

Nota: Nem todos os tipos de bateria dispõem de um indicador do nível de carga da bateria.

Os LEDs verdes do indicador do nível de carga da bateria indicam o nível de carga da bateria. Por motivos de segurança, a consulta do nível de carga só é possível com a ferramenta elétrica parada.

Prima a tecla para o indicador do nível de carga da bateria  ou  para visualizar o nível de carga. Isto também é possível com a bateria removida.

Se, depois de premir a tecla para o indicador do nível de carga da bateria, não se acender qualquer LED, a bateria tem defeito e tem de ser substituída.

Tipo de bateria GBA 18V...



LED	Capacidade
Luz permanente 3 × verde	60–100 %
Luz permanente 2 × verde	30–60 %
Luz permanente 1 × verde	5–30 %
Luz intermitente 1 × verde	0–5 %

Tipo de bateria ProCORE18V...



LED	Capacidade
Luz permanente 5 × verde	80–100 %
Luz permanente 4 × verde	60–80 %
Luz permanente 3 × verde	40–60 %
Luz permanente 2 × verde	20–40 %
Luz permanente 1 × verde	5–20 %
Luz intermitente 1 × verde	0–5 %

Indicações sobre o manuseio ideal da bateria

Proteger a bateria contra humidade e água.

Armazene a bateria apenas na faixa de temperatura de –20 °C a 50 °C. Por exemplo, não deixe a bateria dentro do automóvel no verão.

Limpar de vez em quando as aberturas de ventilação da bateria com um pincel macio, limpo e seco.

Um tempo de funcionamento reduzido após o carregamento indica que a bateria está gasta e que deve ser substituída.

Observe as indicações sobre a eliminação de forma ecológica.

Montagem

- **A bateria deverá ser retirada antes de todos os trabalhos na ferramenta elétrica (p. ex. manutenção, troca de ferramenta etc.) e antes de transportar ou de armazenar a mesma.** Há perigo de ferimentos se o interruptor de ligar/desligar for acionado involuntariamente.

Introduzir/substituir a lâmina de serra

- **Para a montagem ou substituição do acessório é necessário usar luvas de proteção.** Os acessórios são afiados e podem ficar quentes em caso de uso prolongado.

Selecionar lâmina de serra

Encontra um resumo das lâminas de serra recomendadas no final destas instruções. Utilizar apenas lâminas de serra com encabadouro de um ressalto (encabadouro T). A lâmina de serra não deveria ser mais longa do que necessário para o corte previsto.

Para serrar curvas apertadas deve ser usada uma lâmina de serrar estreita.

Introduzir a lâmina de serra (ver figura A)

- **Limpe o encabadouro da lâmina de serra antes da colocação.** Uma bainha suja não pode ser fixa de forma segura.

Empurre a lâmina de serra **(10)**, com os dentes para o sentido de corte, até engatar na admissão da lâmina de serra **(13)**.

Ao colocar a lâmina de serra, certifique-se de que as costas da lâmina de serra se encontram no sulco do rolete de guia (12).

► **Controle a posição firme da lâmina de serra.** Uma lâmina de serra solta pode cair e causar feridas.

Retirar a lâmina de serra (ver figura B)

Empurre a admissão da lâmina de serra (13) no sentido da seta para cima e retire a lâmina da serra (10).

Proteção contra o arranque de aparas (ver figura C)

A proteção contra o arranque de aparas (15) pode impedir que a superfície lasque ao serrar madeira. A proteção contra o arranque de aparas só pode ser usada com determinados tipos de lâmina de serra e apenas com um ângulo de corte de 0°.

Pressione a proteção contra o arranque de aparas (15) a partir de baixo na placa base (9).

Aspiração de pó/de aparas

Pós de materiais como por exemplo, tintas que contêm chumbo, alguns tipos de madeira, minerais e metais, podem ser nocivos à saúde. O contacto ou a inalação dos pós pode provocar reações alérgicas e/ou doenças nas vias respiratórias do utilizador ou das pessoas que se encontrem por perto.

Certos pós, como por exemplo pó de carvalho e faia são considerados como sendo cancerígenos, especialmente quando juntos com substâncias para o tratamento de madeiras (cromato, produtos de proteção da madeira). Material que contém asbesto só deve ser processado por pessoal especializado.

- Se possível deverá usar um dispositivo de aspiração de pó apropriado para o material.
- Assegurar uma boa ventilação do local de trabalho.
- É recomendável usar uma máscara de proteção respiratória com filtro da classe P2.

Observe as diretivas para os materiais a serem processados, vigentes no seu país.

► **Evite a acumulação de pó no local de trabalho.** Pós podem entrar levemente em ignição.

Tampa de cobertura (ver figura D)

Monte a tampa de cobertura (16), antes de ligar a ferramenta elétrica a um sistema de aspiração de pó.

Coloque a tampa de cobertura (16) na ferramenta elétrica de forma a que o suporte encaixe na proteção contra contacto (11).

Retire a tampa de cobertura (16) para trabalhos sem aspiração de pó e para cortes em meia-esquadria. Para tal, retire a tampa de cobertura para a frente da proteção contra contacto (11).

Ligar aspiração de pó (ver figuras E-F)

Coloque o bocal de aspiração (17) no entalhe da placa base (9).

Certifique-se de que o came no bocal de aspiração engata, como ilustrado na figura E no respetivo entalhe da placa base (9).

Insira uma mangueira de aspiração (18) (acessório) no bocal de aspiração (17). Ligue a mangueira de aspiração (18) a um aspirador (acessório).

Encontra um resumo da ligação aos diferentes aspiradores no final deste manual.

Para uma excelente aspiração utilize se possível uma proteção contra o arranque de aparas (15).

O aspirador de pó deve ser apropriado para o material a ser trabalhado.

Utilizar um aspirador especial para aspirar pó que seja extremamente nocivo à saúde, cancerígeno ou seco.

Funcionamento

Modos de operação

► **A bateria deverá ser retirada antes de todos os trabalhos na ferramenta elétrica (p. ex. manutenção, troca de ferramenta etc.) e antes de transportar ou de armazenar a mesma.** Há perigo de ferimentos se o interruptor de ligar/desligar for acionado involuntariamente.

Ajustar o movimento pendular

O movimento pendular ajustável em quatro níveis permite a adequação perfeita da velocidade de corte, do rendimento de corte e da imagem de corte ao material a processar.

Com a alavanca de ajuste (8) pode ajustar o movimento pendular mesmo durante o funcionamento.

Nível 0	nenhum movimento pendular
Nível I	pequeno movimento pendular
Nível II	médio movimento pendular
Nível III	grande movimento pendular

O nível de movimento pendular ideal para a respetiva aplicação pode ser determinado através de uma tentativa prática. Aplicam-se as seguintes recomendações:

- Selecione o nível de movimento pendular o mais pequeno possível ou desligue-o movimento pendular para que a aresta de corte fique mais fina e precisa.
- Desligue o movimento pendular ao processar materiais finos (p. ex. chapas).
- Trabalhe com um movimento pendular pequeno em materiais finos (p. ex. aço).
- Em materiais macios e para serrar madeira é possível trabalhar com máximo movimento pendular.

Ajustar o ângulo de meia-esquadria (ver figura G)


A placa base (9) pode ser oscilada até 45° para a direita para cortes em meia-esquadria.

A tampa de cobertura (16) e a proteção contra o arranque de aparas (15) não podem ser usadas em cortes em meia-esquadria.

- Pressione o bocal de aspiração (17) ligeiramente para cima e puxe-o para fora da placa base (9).
- Retire a tampa de cobertura (16) e a proteção contra o arranque de aparas (15).
- Solte o parafuso (19) com a chave sextavada interior (4) e empurre ligeiramente a placa base (9) na direção da lâmina de serra (10).
- Para o ajuste de ângulos de meia-esquadria precisos, a placa base tem pontos de engate à direita e à esquerda de 0° e 45°. Oscile a placa base (9) de acordo com a escala (20) para a posição desejada. Outros ângulos de meia-esquadria podem ser ajustados com um medidor de ângulos.
- Depois empurre a placa base (9) até ao batente na direção da bateria.
- Reaperte o parafuso (19).


Colocação em funcionamento

Ligar/desligar

Para **ligar** a ferramenta elétrica, prima primeiro junto ao símbolo  no bloqueio de ligação (2) desativando-o. Prima, de seguida, o interruptor de ligar/desligar (3) e mantenha-o premido.

A luz de trabalho acende-se com o interruptor para ligar/desligar (3) completamente ou ligeiramente premido e permite iluminar o local de trabalho em caso de condições de iluminação desfavoráveis.

► Não olhe diretamente para a luz de trabalho, pode ficar encandeado.

Para **desligar** a ferramenta elétrica, solte o interruptor de ligar/desligar (3). Ative o bloqueio de ligação (2), premindo junto ao símbolo  no bloqueio de ligação.

Controlar/pré-selecionar o número de cursos

Pode regular o número de cursos da ferramenta elétrica ligada de forma contínua, consoante a pressão que faz no interruptor de ligar/desligar (3).

Uma leve pressão sobre o interruptor de ligar/desligar (3) proporciona um número de cursos baixo. Aumentando a pressão, é aumentado o número de cursos.

Com a roda de pré-seleção do número de cursos (1) pode pré-selecionar o número de cursos e pode alterar o mesmo durante o funcionamento.

O número de cursos necessário depende do material e das condições de trabalho e pode ser determinado por tentativas.

Recomendamos uma redução do número de cursos ao colocar a lâmina de serra na peça, assim como ao serrar plástico e alumínio.

No caso de trabalhos mais prolongados com número de cursos reduzido, a ferramenta elétrica pode aquecer muito. Retire a lâmina de serra e deixe a ferramenta elétrica funcionar aprox. 3 min com o número de cursos mais elevado para arrefecer.

Indicador da proteção contra sobrecarga

Numa utilização correta, a ferramenta elétrica não pode ser sobrecarregada. Em caso de sobrecarga ou saída fora da faixa de temperatura permitida para a bateria, a número de rotações é reduzido ou a ferramenta desliga-se. No caso de um número de rotações reduzido, a ferramenta elétrica só volta ao número de rotações plenas depois de atingida a temperatura da bateria permitida. Em caso de desligamento automático, desligue a ferramenta elétrica, deixe a bateria arrefecer e depois volte a ligar a ferramenta elétrica.

Instruções de trabalho

► **A bateria deverá ser retirada antes de todos os trabalhos na ferramenta elétrica (p. ex. manutenção, troca de ferramenta etc.) e antes de transportar ou de armazenar a mesma.** Há perigo de ferimentos se o interruptor de ligar/desligar for acionado involuntariamente.

► **Desligue a ferramenta elétrica de imediato se a lâmina de serra encravar.**

► **Sempre utilizar uma base firme para trabalhar em peças pequenas ou finas.**

Antes de serrar em madeira, placas de aglomerado de madeira, materiais de construção etc. verifique se estes apresentam corpos estranhos, como pregos, parafusos ou semelhantes e retire-os se necessário.

As serras verticais foram concebidas principalmente para cortes curvos. No sortido da **Bosch** também existem acessórios que permitem cortes a direito ou cortes circulares (consoante o modelo da serra vertical, p. ex. guia paralela, calha de guia ou cortador circular).

As serras verticais manuais tendem por princípio para o chamado «Avanço», ou seja, a precisão angular e de corte deixa eventualmente de estar assegurada. Fatores de influência decisivos sobre a precisão, são a espessura da lâmina de serra, o comprimento de corte, bem como a densidade e espessura do material da peça.

Assim, verifique sempre através de cortes de ensaio, se o resultado de corte do sistema selecionado corresponde às suas necessidades de aplicação.

Serrar por imersão (ver figura H)

► **Só podem ser processados materiais macios como madeira, pladur ou semelhantes no processo de imersão!**

Só utilizar lâminas de serra curtas ao serrar por imersão. Serrar em imersão só é possível com um ângulo de meia-esquadria 0°.

Coloque a ferramenta elétrica com o canto da frente da placa base (9) na peça, sem que a lâmina de serra (10) toque na peça, e ligue-a. Nas ferramentas elétricas com controlo dos cursos seleccione o número de cursos máximo. Pressione a ferramenta elétrica contra a peça e deixe a lâmina de serra afundar devagar na peça.

Assim que a placa base (9) assentar completamente da peça, continue a serrar ao longo da linha de corte desejada.

Guia paralela com cortador circular (acessórios)

Para trabalhos com a guia paralela com cortador circular (23) a espessura da peça não pode ultrapassar os 30 mm.

Cortes paralelos (ver figura I): solte o parafuso de fixação (22) e introduza a escala da guia paralela através da guia (21) na placa base. Ajustar a largura de corte desejada como valor de escala no canto interior da placa de base. Aperte o parafuso de fixação (22).

Cortes circulares (ver figura J): faça um furo na linha de corte dentro do furo a serrar, que chegue para inserir a lâmina de serra. Aumentar o furo com uma fresa ou com uma lima, para que a lâmina de serra possa estar alinhada à linha de corte.

Coloque o parafuso de fixação (22) no outro lado da guia paralela. Introduza a escala da guia paralela através da guia (21) na placa base. Fazer um buraco no centro do recorte a ser realizado na peça a ser trabalhada. Introduza a ponta centradora (24) através da abertura da guia paralela e no furo feito. Ajustar o raio como valor de escala no canto interior da placa de base. Aperte o parafuso de fixação (22).

Meio de arrefecimento e de lubrificação

Ao serrar metal, deveria aplicar um meio de lubrificação ou de arrefecimento ao longo da linha de corte, devido ao aquecimento do material.

Manutenção e assistência técnica

Manutenção e limpeza

- ▶ **A bateria deverá ser retirada antes de todos os trabalhos na ferramenta elétrica (p. ex. manutenção, troca de ferramenta etc.) e antes de transportar ou de armazenar a mesma.** Há perigo de ferimentos se o interruptor de ligar/desligar for acionado involuntariamente.
- ▶ **Manter a ferramenta elétrica e as aberturas de ventilação sempre limpas, para trabalhar bem e de forma segura.**

Limpar regularmente a admissão da lâmina de serra. Para isto deverá retirar a lâmina de serra da ferramenta elétrica e dar umas leves pancadinhas na ferramenta elétrica numa superfície plana.

Uma forte sujidade da ferramenta elétrica pode causar falhas de funcionamento. Por isso, não serre material que origine muito pó a partir de baixo ou por cima da cabeça.

Se a saída de pó ficar entupida, desligue a ferramenta elétrica, retire a aspiração de pó e remova o pó e as aparas. De vez em quando deverá lubrificar o rolo de guia (12) com uma gota de óleo.

Controlar o rolo de guia (12) regularmente. Se apresentar desgaste, deverá ser substituído por um serviço pós-venda autorizado **Bosch**.

Serviço pós-venda e aconselhamento

O serviço pós-venda responde às suas perguntas a respeito de serviços de reparação e de manutenção do seu produto,

assim como das peças sobressalentes. Desenhos explodidos e informações acerca das peças sobressalentes também em:

www.bosch-pt.com

A nossa equipa de consultores Bosch esclarece com prazer todas as suas dúvidas a respeito dos nossos produtos e acessórios.

Indique para todas as questões e encomendas de peças sobressalentes a referência de 10 dígitos de acordo com a placa de características do produto.

Brasil

Robert Bosch Ltda. – Divisão de Ferramentas Elétricas
Rodovia Anhanguera, Km 98 - Parque Via Norte
13065-900, CP 1195
Campinas, São Paulo
Tel.: 0800 7045 446
www.bosch.com.br/contato

Encontra outros endereços da assistência técnica em:

www.bosch-pt.com/serviceaddresses

Transporte

As baterias de íões de lítio recomendadas estão sujeitas ao direito de materiais perigosos. As baterias podem ser transportadas na rua pelo utilizador, sem mais obrigações. Na expedição por terceiros (por ex: transporte aéreo ou expedição), devem ser observadas as especiais exigências quanto à embalagem e à designação. Neste caso é necessário consultar um especialista de materiais perigosos ao preparar a peça a ser trabalhada.

Só enviar baterias se a carcaça não estiver danificada. Colar contactos abertos e embalar a bateria de modo que não possa se movimentar dentro da embalagem. Por favor observe também eventuais diretivas nacionais suplementares.

Eliminação



As ferramentas elétricas, as baterias, os acessórios e as embalagens devem ser enviados a uma reciclagem ecológica de matéria prima.



Não deitar ferramentas elétricas e baterias/pilhas no lixo doméstico!

Baterias/pilhas:

Lítio:

Observar as indicações no capítulo Transporte (ver "Transporte", Página 26).

中文

安全规章

电动工具通用安全警告

警告！

阅读随电动工具提供的所有安全警告、说明、图示和规定。

不遵照以下所列说明会导致电击、着火和/或严重伤害。

保存所有警告和说明书以备查阅。

警告中的术语“电动工具”是指市电驱动（有线）电动工具或电池驱动（无线）电动工具。

工作场地的安全

- ▶ 保持工作场地清洁和明亮。杂乱和黑暗的场地会引发事故。
- ▶ 不要在易爆环境，如有易燃液体、气体或粉尘的环境下操作电动工具。电动工具产生的火花会点燃粉尘或气体。
- ▶ 操作电动工具时，远离儿童和旁观者。注意力不集中会使你失去对工具的控制。

电气安全

- ▶ 电动工具插头必须与插座相配。绝不能以任何方式改装插头。需接地的电动工具不能使用任何转换插头。未经改装的插头和相配的插座将降低电击风险。
- ▶ 避免人体接触接地表面，如管道、散热片和冰箱。如果你身体接触接地表面会增加电击风险。
- ▶ 不得将电动工具暴露在雨中或潮湿环境中。水进入电动工具将增加电击风险。
- ▶ 不得滥用软线。绝不能用软线搬运、拉动电动工具或拔出其插头。使软线远离热源、油、锐边或运动部件。受损或缠绕的软线会增加电击风险。
- ▶ 当在户外使用电动工具时，使用适合户外使用的延长线。适合户外使用的电线将降低电击风险。
- ▶ 如果无法避免在潮湿的环境中操作电动工具，应使用带有剩余电流装置（RCD）保护的电源。RCD的使用可降低电击风险。

人身安全

- ▶ 保持警觉，当操作电动工具时关注所从事的操作并保持清醒。当你感到疲倦，或在有药物、酒精或治疗反应时，不要操作电动工具。在操作电动工具时瞬间的疏忽会导致严重人身伤害。
- ▶ 使用个人防护装置。始终佩戴护目镜。防护装置，诸如适当条件下使用防尘面具、防滑安全鞋、安全帽、听力防护等装置能减少人身伤害。
- ▶ 防止意外启动。在连接电源和/或电池包、拿起或搬运工具前确保开关处于关闭位置。手指放在开关上搬运工具或开关处于接通时通电会导致危险。
- ▶ 在电动工具接通之前，拿掉所有调节钥匙或扳手。遗留在电动工具旋转零件上的扳手或钥匙会导致人身伤害。

- ▶ 手不要过分伸展。时刻注意立足点和身体平衡。这样能在意外情况下能更好地控制住电动工具。
- ▶ 着装适当。不要穿宽松衣服或佩戴饰品。让你的头发和衣服远离运动部件。宽松衣服、配饰或长发可能会卷入运动部件。
- ▶ 如果提供了与排屑、集尘设备连接用的装置，要确保其连接完好且使用得当。使用集尘装置可降低粉尘引起的危险。
- ▶ 不要因为频繁使用工具而产生的熟悉感而掉以轻心，忽视工具的安全准则。某个粗心的动作可能在瞬间导致严重的伤害。

电动工具使用和注意事项

- ▶ 不要勉强使用电动工具，根据用途使用合适的电动工具。选用合适的按照额定值设计的电动工具会使你工作更有效、更安全。
- ▶ 如果开关不能接通或关断电源，则不能使用该电动工具。不能通过开关来控制的电动工具是危险的且必须进行修理。
- ▶ 在进行任何调节、更换附件或贮存电动工具之前，必须从电源上拔掉插头和/或卸下电池包（如可拆卸）。这种防护性的安全措施降低了电动工具意外起动的风险。
- ▶ 将闲置不用的电动工具贮存在儿童所及范围之外，并且不允许不熟悉电动工具和不了解这些说明的人操作电动工具。电动工具在未经培训的使用者手中是危险的。
- ▶ 维护电动工具及其附件。检查运动部件是否调整到位或卡住，检查零件破损情况和影响电动工具运行的其他状况。如有损坏，应在使用前修理好电动工具。许多事故是由维护不良的电动工具引发的。
- ▶ 保持切削刀具锋利和清洁。维护良好地有锋利切削刃的刀具不易卡住而且容易控制。
- ▶ 按照使用说明书，并考虑作业条件和要进行的作业来选择电动工具、附件和工具的刀头等。将电动工具用于那些与其用途不符的操作可能会导致危险情况。
- ▶ 保持手柄和握持表面干燥、清洁，不得沾有油脂。在意外的情况下，湿滑的手柄不能保证握持的安全和对工具的控制。

电池式工具使用和注意事项

- ▶ 仅使用生产者规定的充电器充电。将适用于某种电池包的充电器用到其他电池包时可能会发生着火危险。
- ▶ 仅使用配有专用电池包的电动工具。使用其他电池包可能会产生伤害和着火危险。
- ▶ 当电池包不用时，将它远离其他金属物体，例如回形针、硬币、钥匙、钉子、螺钉或其他小金属物体，以防电池包一端与另一端连接。电池组端部短路可能会引起燃烧或着火。
- ▶ 在滥用条件下，液体可能会从电池组中溅出；应避免接触。如果意外碰到液体，用水冲洗。如果液体碰到了眼睛，还应寻求医疗帮助。从电池中溅出的液体可能会发生腐蚀或燃烧。

- ▶ **不要使用损坏或改装过的电池包或工具。** 损坏或改装过的电池组可能呈现无法预测的结果，导致着火、爆炸或伤害。
- ▶ **不要将电池包暴露于火或者高温中。** 电池包暴露于火或高于130 °C的高温中可能导致爆炸。
- ▶ **遵守所有充电说明，给电池组或工具充电时不要超出说明中规定的温度范围。** 错误充电或温度超出规定的范围可能会损坏电池并提高着火的风险。

维修

- ▶ **由专业维修人员使用相同的备件维修电动工具。** 这将保证所维修的电动工具的安全。
- ▶ **决不能维修损坏的电池包。** 电池包仅能由生产者或其授权的维修服务商进行维修。

往复锯安全说明

- ▶ **当在锯割附件可能触及暗线的场合进行操作时，通过绝缘握持面握持工具。** 锯割附件碰到带电导线会使工具外露的金属零件带电，从而使操作者受到电击。
- ▶ **使用夹具或其他实用方法将工件固定和支撑在稳定的工作台面。** 用手或身体固定工件会使工件不稳引起失控。
- ▶ **双手必须远离锯割范围，手不可以握在工件下端。** 如果不小心碰触了锯片可能被割伤。
- ▶ **先开动电动工具后再把工具放置在工件上切割。** 如果电动工具被夹在工件中，会有反弹的危险。
- ▶ **注意锯割时把底座正确安稳地放置。** 锯片如果歪斜了，可能断裂或者造成反弹。
- ▶ **工作告一段落时，必须先关闭电动工具并等待机器完全静止后，才可以从锯缝中拔出锯刀。** 如此不但可以防止反弹，而且可以防止放置机器时发生危险。
- ▶ **等待电动工具完全静止后才能够放下机器。** 机器上的工具可能在工作中被夹住，而令您无法控制电动工具。
- ▶ **只能使用未受损的功能正常的锯片。** 弯曲或变钝的锯片可能断裂，对锯痕造成负面影响或导致反弹。
- ▶ **关机后不可以侧压刀片来制止仍然继续转动的刀片。** 锯刀可能因此受损、断裂或者造成反击。
- ▶ **只允许在准备好底板的情况下使用本电动工具。** 在没有底板的情况下操作时，存在无法控制电动工具的危险。
- ▶ **使用合适的侦测装置侦察隐藏的电线，或者向当地的相关单位寻求支援。** 接触电线可能引起火灾并让操作者触电。损坏了瓦斯管会引起爆炸。如果水管被刺穿了会导致财物损失。
- ▶ **如果充电电池损坏或者未按照规定使用，充电电池中会散发出有毒蒸汽。充电电池可能会燃烧或爆炸。** 工作场所必须保持空气流通，如果身体有任何不适必须马上就医。蒸汽会刺激呼吸道。
- ▶ **切勿打开充电电池。** 可能造成短路。
- ▶ **钉子、螺丝刀等尖锐物品或外力作用可能会损坏充电电池。** 有可能出现内部短路、蓄电池燃烧、发出烟雾、爆炸或过热。

- ▶ **仅在制造商的产品中使用充电电池。** 这样才能确保充电电池不会过载。



保护充电电池免受高温（例如长期阳光照射）、火焰、脏污、水和湿气的侵害。 有爆炸和短路的危险。



产品和性能说明



请阅读所有安全规章和指示。 不遵照以下警告和说明可能导致电击、着火和/或严重伤害。

请注意本使用说明书开头部分的图示。

按照规定使用

本电动工具用于在稳固的底垫上对木材、塑料、金属、陶片、橡胶和层压板/HPL（防火板）进行切割和开孔。适用于直线切割以及斜切角度在45度以下的曲线切割。请使用推荐的锯片。

插图上的机件

机件的编号和电动工具详解图上的编号一致。

- (1) 冲击次数预选调节轮
- (2) 起停开关的开机锁
- (3) 起停开关
- (4) 内六角扳手
- (5) 充电电池的解锁按钮^{a)}
- (6) 充电电池^{a)}
- (7) 手柄（绝缘握柄）
- (8) 振荡调整杆
- (9) 底板
- (10) 锯片^{a)}
- (11) 防割伤装置
- (12) 导引轮
- (13) 锯片架
- (14) 工作灯
- (15) 防毛边压板
- (16) 集尘装置盖罩^{a)}
- (17) 抽吸套管^{a)}
- (18) 集尘软管^{a)}
- (19) 底板螺栓
- (20) 斜切角的刻度
- (21) 平行限制器的导引
- (22) 平行限制器的固定螺丝^{a)}
- (23) 带开圆器的平行限制器^{a)}
- (24) 开圆器定心尖^{a)}

a) 图表或说明上提到的附件，并不包含在基本的供货范围中。本公司的附件清单中有完整的附件供应项目。

技术参数

无绳刺锯		GST 183-LI
物品代码		3 601 EB7 0..
额定电压	伏特=	18
空载转速 n_0 ^{A)}	次/分钟	0-3300
冲程	毫米	20
最大切割深度		
- 木材	毫米	95
- 铝材	毫米	15
- 钢材 (非合金)	毫米	8
最大切割角度 (左/右)	度	45
重量符合EPTA-Procedure 01:2014	公斤	2.0-3.0 ^{B)}
充电时建议的环境温度	摄氏度	0至+35
工作时和存放时允许的环境温度 ^{C)}	摄氏度	-20至+50
兼容的充电电池		GBA 18V... ProCORE18V...
推荐的充电电池		GBA 18V... ≥ 4,0 Ah ProCORE18V... ≥ 4,0 Ah
推荐的充电器		GAL 18... GAX 18... GAL 36...

A) 在20-25摄氏度的条件下带充电电池**GBA 18V 4.0Ah**测得

B) 视所使用的充电电池而定

C) 温度 < 0 摄氏度时功率受限

数值可能因不同产品而异，并且受到应用和环境条件影响。更多信息请参见 www.bosch-professional.com/wac。

充电电池

Bosch也销售不带充电电池的充电式电动工具。您可以在包装上查看电动工具的供货范围内是否包含充电电池。

为充电电池充电

► **请只使用在技术参数中列出的充电器。**只有这些充电器才适用于本电动工具上的锂离子电池。

提示：鉴于国际运输规定，锂离子充电电池在交货时只完成部分充电。首度使用电动工具之前，必须先充足充电电池的电量以确保充电电池的功率。

安装充电电池

将充好电的充电电池推入电池座，直到嵌入。


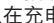
取出充电电池

如需取下充电电池，则请按压解锁按钮，然后拔出充电电池。**在此过程中请勿过度用力。**

充电电池具备双重锁定功能，即使不小心触动了充电电池的解锁按钮，充电电池也不会从机器中掉落下来。只要充电电池安装在电动工具中，就会被弹簧固定在其位置上。

充电电池电量指示灯

提示：并非每种充电电池型号均具备电量指示灯。充电电池电量指示灯的绿色LED灯显示充电电池的电量。基于安全原因，只能在电动工具静止时检查充电电池的电量。

按压充电电量指示灯按键或, 来显示充电电量。也可以在充电电池取下时操作。

如果按压充电电量指示灯按键后没有LED灯亮起，则说明充电电池损坏，必须进行更换。

充电电池型号GBA 18V...



LED	电量
3个绿灯长亮	60-100 %
2个绿灯长亮	30-60 %
1个绿灯长亮	5-30 %
1个绿灯闪烁	0-5 %

充电电池型号ProCORE18V...



LED	电量
5个绿灯长亮	80-100 %
4个绿灯长亮	60-80 %
3个绿灯长亮	40-60 %
2个绿灯长亮	20-40 %
1个绿灯长亮	5-20 %
1个绿灯闪烁	0-5 %

如何正确地使用充电电池

保护充电电池，避免湿气和水分渗入。

充电电池必须储存在-20 °C至50 °C的环境中。夏天不得将充电电池搁置在汽车中。

不时地使用柔软、清洁而且干燥的毛刷清洁充电电池的通气孔。

充电后如果充电电池的使用时间明显缩短，代表充电电池已经损坏，必须更换新的充电电池。

请注意有关作废处理的规定。

安装

► **在电动工具上进行任何维护的工作（例如维修，更换工具等等），以及搬运、保存电动工具之前都必须从机器中取出蓄电池。**无意间操作开关可能会造成伤害。

安装/更换锯片

- ▶ **安装或更换工具刀头时必须佩戴保护手套。** 工具刀头非常锋利，长时间使用后会变热。

选择锯片

在本说明书的最后有锯片的一览表。请只安装单凸轮轴（T型刀柄）的锯片。锯片长度不得超过预定锯线所需的数值。

在狭小的弯角上锯割时要使用窄的锯片。

安装锯片（参见插图 A）

- ▶ **安装前，请清洁锯片的柄部。** 脏污的柄部无法牢固固定。

推动锯片（10），使锯齿朝向切割方向，直至卡入锯片架（13）。

在安装锯片时注意，锯片背位于导引轮（12）的槽内。

- ▶ **检查锯片是否牢固固定。** 松脱的锯片会从接头掉落并伤害您。

取下锯片（参见插图 B）

将锯片座（13）沿箭头方向向上推并取下锯片（10）。

防毛边压板（见图片 C）

防毛边压板（15）可以在锯割木材时防止表面裂开。防毛边压板只能用于特定的锯片类型，并且只能用于0度锯角。

将防毛边压板（15）从下方压入底板（9）。

吸尘罩/吸锯屑

含铅的颜料以及某些木材、矿物和金属的加工废尘有害健康。机器操作者或者工地附近的人如果接触、吸入这些废尘，可能会有过敏反应或者感染呼吸道疾病。

某些尘埃（例如加工橡木或山毛榉的废尘）可能致癌，特别是和处理木材的添加剂（例如木材的防腐剂等）结合之后。只有经过专业训练的人才能够加工含石棉的物料。

– 尽可能使用适合物料的吸尘装置。

– 工作场所要保持空气流通。

– 最好佩戴P2滤网等级的口罩。

请留心并遵守贵国和加工物料有关的法规。

- ▶ **避免让工作场所堆积过多的尘垢。** 尘垢容易被点燃。

盖罩（参见插图 D）

将电动工具连接到集尘装置上前，请装好盖罩（16）。

将盖罩（16）放到电动工具上，以便支架卡入防割伤装置（11）。

执行不需要集尘的操作或斜切时，请拆下盖罩（16）。为此，将盖罩向前从防割伤装置（11）上拉下。

连接集尘装置（参见插图 E-F）

将抽吸套管（17）装到底板（9）的凹槽中。

注意抽吸套管上的凸轮应如图E所示卡入底板（9）相应的凹槽中。

将集尘软管（18）（附件）插到抽吸套管（17）上。将集尘软管（18）与吸尘器（附件）连接。

在本使用说明书的末尾可以找到各种集尘器的连接概览。

为确保最佳集尘效果，如果可以的话，请安装防毛边压板（15）。

根据工件的物料选择合适的吸尘装置。

吸尘可能危害健康、可能导致癌症或干燥的废尘时，务必使用特殊的吸尘装置。

操作

运行模式

- ▶ **在电动工具上进行任何维护的工作（例如维修，更换工具等等），以及搬运、保存电动工具之前都必须从机器中取出蓄电池。** 无意间操作开关可能会造成伤害。

调整振荡功能

本机器有四个振荡档位，因此可以根据加工物料适度配合锯割速度、锯割功率并产生最好的锯割效果。

使用调节杆（8）也能在运行期间调整振荡。

档位0	无振荡
档位I	小振荡
档位II	中振荡
档位III	大振荡

通过实际试验来确定各个应用的最佳振荡档位。同时适用以下建议：

- 加工的切边越精细且干净，则选择的振荡档位就应越低或应完全关闭振荡功能。
- 加工较薄的材料（例如板材）时请关闭振荡功能。
- 以较低的振荡档位加工硬质材料（例如钢材）。
- 加工软质材料以及锯割木材时可以使用最高振荡档位。

调整斜切角度（参见插图 G）


斜切角度在45°以下时，可将底板（9）向右或向左摆动。

斜切时，无法安装盖罩（16）和防毛边压板（15）。


- 将抽吸套管（17）轻轻向上压，然后将其从底板（9）中拉出。
- 取下盖罩（16）和防毛边压板（15）。
- 用内六角扳手（4）松开螺栓（19），然后将底板（9）朝锯片（10）方向轻移。
- 为精确调整斜切角度，请在0°和45°时从左右侧卡住底板。根据刻度（20），将底板（9）摆动到所需的位置。此外也可以使用量角规定其它的角度。
- 然后沿充电电池方向推动底板（9）直至极限位置。
- 重新拧紧螺栓（19）。

投入使用

接通/关闭

接通电动工具时，首先请按压图标  旁的开机锁 (2)，将其关闭。接着按压电源开关 (3) 并按住。轻按或是把电源开关 (3) 按到底时，工作灯会亮起，在照明状况不佳的环境中可以借此照亮操作位置。

▶ **勿直视工作灯，强光会刺眼。**

如要关闭电动工具，请松开电源开关 (3)。按压图标  旁的开机锁来激活开机锁 (2)。

控制/预选冲击次数

可以无级调节已接通电动工具的冲击次数，视按压起停开关 (3) 的力道程度决定。

以较小的力按压起停开关 (3) 时，冲击次数较低。逐渐在开关上加压，冲击次数也会跟着提高。

利用冲击次数预选调节轮 (1) 也可以在运行过程中预选所需的冲击次数。

正确的冲击次数必须视工件物料和工作状况而定。唯有实际操作才能找出最合适的冲击次数。

起锯时，或者锯割塑料、铝片时最好降低冲击次数。

以小的冲击次数长期工作之后，电动工具会变得很热。拆下锯片，让电动工具以最高冲击次数运作3分钟以加速冷却。

温感式过载保护装置

按照规定使用时不会造成电动工具过载。过大负荷或超出允许的充电电池温度范围会导致转速降低或造成电动工具关闭。如果转速降低，电动工具只有在达到允许的充电电池温度或负荷降低后，才会重新全速运行。如果自动关闭，请关闭电动工具，让充电电池冷却，然后重新开动电动工具。

工作提示

- ▶ 在电动工具上进行任何维护的工作（例如维修，更换工具等等），以及搬运、保存电动工具之前都必须从机器中取出蓄电池。无意间操作开关可能会造成伤害。
- ▶ 当锯片被夹住时，请立即关闭电动工具。
- ▶ 加工小或薄的工作时，必须使用稳定的垫板。

锯切木材、刨花板、建筑材料等材料前应检查是否有异物，比如钉子、螺栓等类似物质，如果有的话，请清除。

曲线锯主要设计用于曲线切割。在 Bosch 的产品组合中另外还提供可用于直线或圆形切割的附件（视曲线锯型号而定，例如平行限制器、导轨或开圆器）。

手持式曲线锯原则上倾向于所谓的“移动”，即可能无法保证角度和切割精确性。影响精确性的决定性因素是锯片厚度、切割长度以及工件的材料密度和厚度。

因此请务必通过试切割检查所选系统的切割结果是否符合您的应用要求。

潜锯（见图片 H）

- ▶ 在切入式锯切工艺中，仅允许加工软材料，比如木材、石膏板等类似材料！

潜锯时只能使用短的锯片。仅可在斜切角度为 0° 时进行潜锯。

将电动工具底板 (9) 的前边缘放到工件上，锯片 (10) 不要触碰到工件，然后接通。如果电动工具有冲击次数设定功能的话，必须选择最高冲击次数。用力地把电动工具压向工件，并让锯刀慢慢地落入工件中。

底板 (9) 齐平地贴着工件后，就可沿着所需的切线继续切割。

带开圆器的平行限制器（附件）

使用带开圆器的平行限制器 (23) 进行加工时，工件厚度不得超过 30 毫米。

直线切割（见图片 I）：松开固定螺丝 (22)，将平行限制器的刻度推过底板的导引 (21)。根据刻度尺调整好需要的锯割宽度。拧紧固定螺丝 (22)。

开圆（见图片 J）：在待切割圆内的切线上钻一个足以插入锯刀的孔。用铣刀或锉刀处理一下孔，以便锯刀可以与切线齐平。

将固定螺丝 (22) 放到平行限制器的另一侧。通过底板的导引 (21) 推动平行限制器的刻度。在工件待锯切开口的中央位置钻一个孔。将定心尖 (24) 插入平行限制器的内孔和钻好的孔中。根据底板内缘调整半径的刻度值。拧紧固定螺丝 (22)。

冷却剂/润滑油

锯割金属时由于物料会变热，必须沿着锯割线涂抹冷却剂或润滑油。

维修和服务

维修和清洁

- ▶ 在电动工具上进行任何维护的工作（例如维修，更换工具等等），以及搬运、保存电动工具之前都必须从机器中取出蓄电池。无意间操作开关可能会造成伤害。
- ▶ 电动工具和通气孔必须随时保持清洁，以确保工作效率和工作安全。

定期清洁锯片接头。此时必须先电动工具中拆下锯片，然后在平坦的表面上轻敲电动工具，以便抖落污垢。

电动工具如果沾满污垢，可能会影响机器的功能。因此，请勿从下方或在头顶上切割会产生大量粉尘的材料。

如果出尘口堵塞，请关闭电动工具，取下集尘设备，清除灰尘和碎屑。

适时地用一滴油润滑导引轮 (12)。

定期检查导引轮 (12)。如果已磨损，必须让经过授权的 Bosch 客户服务中心更换。

客户服务和应用咨询

本公司顾客服务处负责回答有关本公司产品的修理、维护和备件的问题。备件的展开图纸和信息也可查看：www.bosch-pt.com
博世应用咨询团队乐于就我们的产品及其附件问题提供帮助。

询问和订购备件时，务必提供机器铭牌上标示的10位数物品代码。

中国大陆

博世电动工具（中国）有限公司
中国 浙江省 杭州市
滨江区 滨康路567号
102/1F 服务中心
邮政编码：310052
电话：(0571)8887 5566 / 5588
传真：(0571)8887 6688 x 5566# / 5588#
电邮：bsc.hz@cn.bosch.com
www.bosch-pt.com.cn

制造商地址：

Robert Bosch Power Tools GmbH
罗伯特·博世电动工具有限公司
70538 Stuttgart / GERMANY
70538 斯图加特 / 德国

其他服务地址请见：

www.bosch-pt.com/serviceaddresses

搬运

所推荐的锂离子充电电池必须符合危险物品法规。使用者无须另外使用保护包装便可以运送该充电电池。

但是如果将它交由第三者运送（例如：寄空运或委托运输公司）则要使用特殊的包装和标示。此时必须向危险物品专家请教有关寄送危险物品的相关事宜。

确定充电电池的外壳未受损后，才可以寄送充电电池。粘好未加盖的触点并包装好充电电池，不可以让充电电池在包装中晃动。必要时也得注意各国的法规。

处理废弃物



必须以符合环保的方式，回收再利用损坏的电动工具、充电电池、附件和废弃的包装材料。



不可以把电动工具和充电电池/蓄电池丢入一般的家庭垃圾中！

充电电池/电池：

锂离子：

请注意“搬运”段落中的指示（参见“搬运”，页 32）确认设置。

产品中有害物质的名称及含量

部件名称	有害物质					
	铅 (Pb)	汞 (Hg)	镉 (Cd)	六价铬 (Cr ⁺⁶)	多溴联苯 (PBB)	多溴二苯醚 (PBDE)
外壳的金属部分	○	○	○	○	○	○
外壳的非金属部分	○	○	○	○	○	○
机械传动机构	X	○	○	○	○	○
电机组件	X	○	○	○	○	○
控制组件	X	○	○	○	○	○
附件	○	○	○	○	○	○
配件	○	○	○	○	○	○
连接件	X	○	○	○	○	○
电源线①	○	○	○	○	○	○
电池系统②	X	○	○	○	○	○

本表格依据SJ/T11364的规定编制。

○：表示该有害物质在该部件所有均质材料中的含量均在GB/T 26572规定的限量要求以下。

X：表示该有害物质至少在该部件的某一均质材料中的含量超出GB/T 26572规定的限量要求。且目前业界没有成熟的替代方案，符合欧盟RoHS指令环保要求。

① 适用于采用电源线连接供电的产品。

② 适用于采用充电电池供电的产品。

产品环保使用期限内的使用条件参见产品说明书。

繁體中文

安全注意事項

電動工具一般安全注意事項

警告 請詳讀工作臺及電動工具的所有安全警告與使用說明。若不遵照以下列出的指示，將可能導致電擊、著火和/或人員重傷。

保存所有警告和說明書以備查閱。

在所有警告中，「電動工具」此一名詞泛指：以市電驅動的（有線）電動工具或是以電池驅動的（無線）電動工具。

工作場地的安全

- ▶ 保持工作場地清潔和明亮。混亂和黑暗的場地會引發事故。
- ▶ 不要在易爆環境，如有易燃液體、氣體或粉塵的環境下操作電動工具。電動工具產生的火花會點燃粉塵或氣體。
- ▶ 讓兒童和旁觀者離開後操作電動工具。注意力不集中會使您失去對工具的控制。

電氣安全

- ▶ 電動工具插頭必須與插座相配。絕不能以任何方式改裝插頭。需接地的電動工具不能使用任何轉換插頭。未經改裝的插頭和相配的插座將減少電擊危險。
- ▶ 避免人體接觸接地表面，如管道、散熱片和冰箱。如果您身體接地會增加電擊危險。
- ▶ 不得將電動工具暴露在雨中或潮濕環境中。水進入電動工具將增加電擊危險。
- ▶ 不得濫用電線。絕不能用電線搬運、拉動電動工具或拔出其插頭。使電線遠離熱源、油、銳利邊緣或移動零件。受損或纏繞的軟線會增加電擊危險。
- ▶ 當在戶外使用電動工具時，使用適合戶外使用的延長線。適合戶外使用的軟線，將減少電擊危險。
- ▶ 如果在潮濕環境下操作電動工具是不可避免的，應使用剩餘電流動作保護器（RCD）。使用RCD可降低電擊危險。

人身安全

- ▶ 保持警覺，當操作電動工具時關注所從事的操作並保持清醒。當您感到疲倦，或在有藥物、酒精或治療反應時，不要操作電動工具。在操作電動工具時瞬間的疏忽會導致嚴重人身傷害。
- ▶ 使用個人防護裝置。始終佩戴護目鏡。安全裝置，諸如適當條件下使用防塵面具、防滑安全鞋、安全帽、聽力防護等裝置能減少人身傷害。
- ▶ 防止意外起動。確保開關在連接電源和/或電池盒、拿起或搬運工具時處於關閉位置。手指放在已接通電源的開關上或開關處於接通時插入插頭可能會導致危險。

- ▶ 在電動工具接通之前，拿掉所有調節鑰匙或扳手。遺留在電動工具旋轉零件上的扳手或鑰匙會導致人身傷害。
- ▶ 手不要伸展得太長。時刻注意立足點和身體平衡。這樣在意外情況下能很好地控制電動工具。
- ▶ 著裝適當。不要穿寬鬆衣服或佩戴飾品。讓您的衣物及頭髮遠離運動部件。寬鬆衣服、佩飾或長髮可能會捲入運動部件中。
- ▶ 如果提供了與排屑、集塵設備連接用的裝置，要確保他們連接完好且使用得當。使用這些裝置可減少塵屑引起的危險。
- ▶ 切勿因經常使用工具所累積的熟練感而過度自信，輕忽工具的安全守則。任何一個魯莽的舉動都可能瞬間造成人員重傷。

電動工具使用和注意事項

- ▶ 不要濫用電動工具，根據用途使用適當的電動工具。選用適當設計的電動工具會使您工作更有效、更安全。
- ▶ 如果開關不能開啟或關閉工具電源，則不能使用該電動工具。不能用開關來控制的電動工具是危險的且必須進行修理。
- ▶ 在進行任何調整、更換配件或貯存電動工具之前，必須從電源上拔掉插頭並/或取出電池盒。這種防護性措施將減少工具意外起動的危險。
- ▶ 將閒置不用的電動工具貯存在兒童所及範圍之外，並且不要讓不熟悉電動工具或對這些說明不瞭解的人操作電動工具。電動工具在未經培訓的用戶手中是危險的。
- ▶ 保養電動工具與配備。檢查運動件是否調整到位或卡住，檢查零件破損情況和影響電動工具運行的其他狀況。如有損壞，電動工具應在使用前修理好。許多事故由維護不良的電動工具引發。
- ▶ 保持切削刀具鋒利和清潔。保養良好的有鋒利切削刃的刀具不易卡住而且容易控制。
- ▶ 按照使用說明書，考慮作業條件和進行的作業來使用電動工具、配件和工具的刀頭等。將電動工具用於那些與其用途不符的操作可能會導致危險。
- ▶ 把手及握持區應保持乾燥、潔淨，且不得沾染任何油液或油脂。易滑脫的把手及握持區將無法讓您在發生意外狀況時安全地抓緊並控制工具。

電池式工具使用和注意事項

- ▶ 只用製造商規定的充電器充電。將適用於某種電池盒的充電器用到其他電池盒時會發生著火危險。
- ▶ 只有在配有專用電池盒的情況下才使用電動工具。使用其他電池盒會發生損壞和著火危險。
- ▶ 當電池盒不用時，將它遠離其他金屬物體，例如回形針、硬幣、鑰匙、釘子、螺絲或其他小金屬物體，以防一端與另一端連接。電池端部短路會引起燃燒或火災。
- ▶ 在濫用條件下，液體會從電池中濺出；避免接觸。如果意外碰到了，用水沖洗。如果液體碰到了眼睛，還要尋求醫療幫助。從電池中濺出的液體會發生腐蝕或燃燒。

- ▶ **請勿使用已受損或經改裝的電池盒。**已受損或經改裝的電池組可能出現無法預期的反應，進而導致著火、爆炸或造成人員受傷。
- ▶ **勿讓電池盒或工具靠近火源或暴露於異常溫度環境中。**若是靠近火源或暴露在超過130 °C的環境中可能造成爆炸。
- ▶ **請完全遵照所有的充電說明，電池盒或工具的溫度若是超出指示的規定範圍，請勿進行充電。**不當充電或是在未在規定的溫度範圍內進行充電，皆可能造成電池損壞並面臨更高的著火風險。

檢修

- ▶ **將您的電動工具送交專業維修人員，必須使用同樣的備件進行更換。**這樣將確保所維修的電動工具的安全性。
- ▶ **請勿自行檢修受損的電池盒。**電池組應交由製造商或是獲得授權的服務供應商來進行檢修。

線鋸機安全注意事項

- ▶ **進行作業時，負責進行切割的配件可能會碰觸到隱藏的配線，請從絕緣握把處拿持電動工具。**負責進行切割的配件若是觸及「導電」電線，可能導致電動工具外露的金屬部件「導電」，進而使操作人員遭受電擊。
- ▶ **請用夾具或其他可行方式將工件穩固地架在可靠平台上。**用手握持工件或將它貼靠在您身上會因無法確實固定而導致失控。
- ▶ **雙手必須遠離鋸割範圍，手不可以握在工件下端。**如果不小心碰觸了鋸片可能被割傷。
- ▶ **先啟動電動工具後再把工具放置在工件上切割。**如果電動工具被夾在工件中，會有反彈的危險。
- ▶ **請注意：進行鋸切時，請將底座穩固地貼靠在平面上。**鋸片如果歪斜，則可能斷裂或造成反彈。
- ▶ **工作告一段落時，必須先關閉電動工具並等待機器完全靜止後，才可以從鋸縫中抽出鋸刀。**如此不但可以防止反彈，而且可以防止放置機器時發生危險。
- ▶ **必須等待電動工具完全靜止後才能將它放下。**嵌件工具可能卡住而使電動工具失控。
- ▶ **只能使用未受損、功能正常的鋸片。**彎曲或變鈍的鋸片可能斷裂，對鋸痕造成負面影響或導致反彈。
- ▶ **關機後不可以側壓刀片來制止仍然繼續轉動的刀片。**鋸刀可能因此受損、斷裂或者造成反彈。
- ▶ **電動工具僅可與底座搭配使用。**作業時若無底座，可能導致電動工具無法控制的危險。
- ▶ **使用合適的偵測裝置偵察隱藏的電線，或者向當地的相關單位尋求支援。**接觸電線可能引起火災並讓操作者觸電。若損壞瓦斯管會引起爆炸。如果水管被刺穿會導致財物損失。
- ▶ **如果充電電池損壞了，或者未按照規定使用充電電池，充電電池中會散發出有毒蒸氣。充電電池可能起火或爆炸。**工作場所必須保持空氣流通，如果身體有任何不適必須馬上就醫。充電電池散發的蒸氣會刺激呼吸道。
- ▶ **切勿拆開充電電池。**可能造成短路。

- ▶ **尖銳物品（例如釘子或螺絲起子）或是外力皆有可能造成充電電池損壞。**進而導致內部短路而發生電池起火、冒煙、爆炸或過熱等事故。
- ▶ **僅可在製造商的產品中使用充電電池。**如此才可提供過載保護。



保護充電電池免受高溫（例如長期日照）、火焰、污垢、水液和濕氣的侵害。有爆炸及短路之虞。



產品和功率描述



請詳讀所有安全注意事項和指示。如未遵守安全注意事項與指示，可能導致火災、人員遭受電擊及/或重傷。請留意操作說明書中最前面的圖示。

依規定使用機器

本機器可以在穩固的底墊上，進行切割、挖割。適用的材料包括木材、塑膠、金屬、陶片、橡膠和層壓板/高壓層壓板（HPL，High Pressure Laminate）等。本電動工具適用於裁鋸斜鋸角 45° 以內的直線和曲線。請使用本公司推薦的鋸片。

插圖上的機件

機件的編號和電動工具詳解圖上的編號一致。

- (1) 衝擊次數設定轉鈕
- (2) 起停開關的作動安全鎖
- (3) 起停開關
- (4) 內六角扳手
- (5) 充電電池解鎖按鈕^{a)}
- (6) 充電電池^{a)}
- (7) 把手（絕緣握柄）
- (8) 振蕩調整桿
- (9) 底座
- (10) 鋸片^{a)}
- (11) 防割傷裝置
- (12) 導引輪
- (13) 鋸片座
- (14) 工作燈
- (15) 防毛邊壓板
- (16) 吸塵保護遮罩^{a)}
- (17) 吸塵接管^{a)}
- (18) 吸塵管^{a)}
- (19) 底座螺柱
- (20) 斜鋸角刻度尺
- (21) 平行擋塊的導軌
- (22) 平行擋塊的止付螺絲^{a)}
- (23) 附帶割圓輔助器的平行擋塊^{a)}

(24) 割圓輔助器的圓心尖端^{a)}

a) 圖文中提到的配件，並不包含在基本的供貨範圍中。本公司的配件清單中有完整的配件供應項目。

技術性數據

充電式鋸線機	GST 183-LI	
產品機號		3 601 EB7 0..
額定電壓	V=	18
無負載轉速 $n_0^{A)}$	min^{-1}	0-3300
衝程	mm	20
最大鋸切深度		
- 在木材上	mm	95
- 在鋁材上	mm	15
- 在鋼材上 (非合金)	mm	8
最大鋸角 (左/右)	°	45
重量符合 EPTA-Procedure 01:2014	kg	2.0-3.0 ^{B)}
充電狀態下的建議環境溫度	°C	0 ... +35
操作狀態下的容許環境溫度 ^{C)} 以及存放狀態下	°C	-20 ... +50
相容的充電電池		GBA 18V... ProCORE18V...
建議使用的充電電池		GBA 18V... ≥ 4,0 Ah ProCORE18V... ≥ 4,0 Ah
建議使用的充電器		GAL 18... GAX 18... GAL 36...

A) 於 20-25 °C 配備充電電池 **GBA 18V 4.0Ah** 時測得。

B) 視所使用的充電蓄電池而定

C) 溫度 < 0 °C 時，性能受限

數值可能因產品而異，並受使用條件以及環境條件影響。進一步資訊請見 www.bosch-professional.com/wac。

充電電池

Bosch 亦販售不含充電電池的充電式電動工具。可以從外包裝看出電動工具的供貨範圍是否包括電池。

為充電電池進行充電

▶ **只能選用技術性數據裡所列出的充電器。**僅有這些充電器適用於電動工具所使用的鋰離子充電電池。

提示：由於國際運輸規定，出貨時鋰離子充電電池已部分充電。初次使用電動工具之前，請先將充電電池充電以確保充電電池蓄滿電力。

安裝充電電池

將已充電的充電電池推至充電電池固定座內，直到卡緊。

取出充電電池

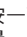
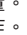
若要取出充電電池，請按解鎖鈕，然後將充電電池抽出。**不可以強行拉出充電電池。**

本充電電池具備了雙重鎖定功能，即使不小心按壓了充電電池解鎖按鈕，充電電池也不會從機器中掉落出來。固定彈簧會把充電電池夾緊在機器中。

充電電池的電量指示器

提示：並非所有的充電電池類型都有電量指示器。

充電電池的電量指示器透過綠色 LED 燈告知充電電池的目前電量。基於安全顧慮，務必在電動工具完全靜止時才能檢查充電電池的電量。

按一下電量指示器按鈕  或 ，即可顯示目前的電量。即使已取出充電電池，此項功能仍可正常運作。

按壓電量顯示按鈕後，LED 燈若未亮起，即表示充電電池故障，必須予以更換。

充電電池型號 GBA 18V...

LED	容量
3 顆綠燈持續亮起	60-100 %
2 顆綠燈持續亮起	30-60 %
1 顆綠燈持續亮起	5-30 %
1 顆綠燈呈閃爍狀態	0-5 %

充電電池型號 ProCORE18V...

LED	容量
5 顆綠燈持續亮起	80-100 %
4 顆綠燈持續亮起	60-80 %
3 顆綠燈持續亮起	40-60 %
2 顆綠燈持續亮起	20-40 %
1 顆綠燈持續亮起	5-20 %
1 顆綠燈呈閃爍狀態	0-5 %

如何正確地使用充電電池

妥善保護充電電池，避免濕氣和水分滲入。

充電電池必須儲存在 -20 °C 至 50 °C 的環境中。

夏天不可以把充電電池擱置在汽車中。

偶爾用柔軟、乾淨且乾燥的毛刷清潔充電電池的通氣孔。

充電後如果充電電池的使用時間明顯縮短，代表充電電池已經損壞，必須更換新的充電電池。

請您遵照廢棄物處理相關指示。

安裝

▶ 在電動工具上進行任何維護的工作（例如維修，更換工具等）以及搬運和儲存電動工具之前，都

必須電動工具中取出充電電池。若是不小心觸動起停開關，可能造成人員受傷。

安裝／更換鋸片

► **安裝或更換嵌件工具時務必穿戴防護手套。**嵌件工具極為銳利，而且長時間使用後可能發燙。

選擇鋸片

本說明書的最後面另外刊錄了建議使用之鋸片一覽表。僅能裝入單耳柄鋸片（T 柄鋸片）。鋸片長度不得超過預定鋸線。

在狹小的彎角上鋸切時應要使用窄型鋸片。

安裝鋸片（請參考圖 A）

► **請於裝入前清潔鋸片柄部。**柄部若髒污即無法牢固固定。

使鋸片（10）的鋸齒朝鋸切方向，然後將它推入，直至卡進鋸片座（13）內。

安裝鋸片時請注意：鋸片刀背要架在導引輪（12）的溝槽中。

► **檢查鋸片是否已經裝牢。**鬆動的鋸刀可能掉落並造成您受傷。

卸下鋸片（請參考圖 B）

沿箭頭方向將鋸片座（13）往上推，並取下鋸片（10）。

防毛邊壓板（請參考圖 C）

防毛邊壓板（15）可在鋸切木材時防止工件表面被扯裂。防毛邊壓板僅適用於特定種類的鋸片，且鋸角必須為 0°。

從下方將防毛邊壓板（15）壓進底座（9）內。

吸除廢塵／料屑

含鉛顏料、部分木材種類、礦石和金屬的加工廢塵有害健康。機器操作者或施工現場附近的人員如果接觸、吸入這些廢塵，可能會引發過敏反應或感染呼吸道疾病。

某些塵埃（例如加工橡木或山毛櫸的廢塵）可能致癌，特別是與處理木材的添加劑（例如木材的防腐劑等）結合之後。唯有受過專業訓練的人才能夠進行含石棉物料的加工。

- 儘可能使用適合物料的吸塵裝置。
- 工作場所要保持空氣流通。
- 建議佩戴 P2 過濾等級的口罩。

請留意並遵守貴國的物料加工相關法規。

► **避免讓工作場所堆積過多的塵垢。**塵埃容易被點燃。

保護遮罩（請參考圖 D）

為本電動工具連接吸塵裝置之前，請先安裝保護遮罩（16）。

將保護遮罩（16）套在電動工具上，使固定座卡入至防割傷裝置（11）上。

進行不需吸塵之作業或是進行斜鋸時，請取下保護遮罩（16）。此時，請您將保護遮罩往前從防割傷裝置（11）上拔下。

連接吸塵裝置（請參考圖 E - F）

將吸塵接管（17）插入底座的開口（9）內。

請注意：吸塵接管上的凸塊應如圖 E 所示，卡進底座（9）的對應開口中。

將吸塵管（18）（配件）插到吸塵接管（17）上。將吸塵管（18）與吸塵器連接起來（配件）。

本手冊於結尾處另外刊錄了連接不同類型吸塵器的操作概覽。

為確保獲取最佳吸塵效果，如有可能請儘量裝上防毛邊壓板（15）。

根據工件材質選擇合適的吸塵器。

吸集可能危害健康、可能致癌或乾燥的廢塵時，務必使用特殊吸塵器。

操作

操作模式

► **在電動工具上進行任何維護的工作（例如維修，更換工具等）以及搬運和儲存電動工具之前，都必須電動工具中取出充電電池。**若是不小心觸動起停開關，可能造成人員受傷。

調整振蕩功能

本機器有四個振蕩檔位，可根據加工物料適度調整鋸切速度、鋸切功率並產生最好的鋸切效果。

即使是在工具運作期間，亦可利用調整桿（8）調整振蕩。

檔位 0	無振蕩
檔位 I	小振蕩
檔位 II	中振蕩
檔位 III	大振蕩

需實際操作才能試出各種應用的理想振盪檔位。以下建議適用：

- 選擇較小的振盪檔位或將振盪完全關閉，刀刃應會更加細緻且乾淨。
- 加工薄材料（例如金屬板）時，請關閉振盪功能。
- 請以較小的振盪檔位加工硬質材料（例如鋼材）。
- 若為軟質材料和鋸切木材時，請以最高振盪檔位加工。

調整斜鋸角（請參考圖 G）

底座（9）可往右或往左翻旋至最大 45°，以進行斜鋸。

進行斜鋸時，不可使用保護遮罩（16）以及防毛邊壓板（15）。


- 請將吸塵接管（17）稍微往上推，然後將它從底座（9）中拔出。
- 取下保護遮罩（16）和防毛邊壓板（15）。
- 使用內六角扳手（4）鬆開螺栓（19）並將底座（9）輕輕往鋸片（10）方向推移。
- 底座左右兩側設有 0° 和 45° 的卡止點，可讓您精準設定斜鋸角。請依照刻度（20）將底座（9）

移擺至所需位置。此外也可以使用量角規設定成其它角度。

- 接著再將底座 (9) 往充電電池方向推到底。
- 將螺柱 (19) 重新旋緊。

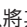
操作機器

啟動/關閉

若要啟動電動工具，請先按壓符號  旁的作動安全鎖 (2) 並將其關閉。接著，按壓起停開關 (3) 不要放開。

輕按起停開關 (3) 或完全按下時，工作燈隨即亮起，可照亮光線不足的工作區域。

▶ 勿直視工作燈，強光會刺眼。

若要關閉電動工具，放開起停開關 (3) 即可。按壓符號  旁的作動安全鎖 (2)，以將其啟用。

控制/設定衝擊次數

您可為已啟動的電動工具無段調控轉速，衝擊次數是由按壓起停開關 (3) 的深度而定。

輕按起停開關 (3) 時，衝擊次數較少。按得越緊衝擊次數越多。

利用衝擊次數設定轉鈕 (1)，即可按照需求預設衝擊次數並於工具運作期間變更。

正確的衝擊次數必須視工件物料和工作狀況而定。唯有實際操作才能找出最合適的衝擊次數。

將鋸片放到工件上時c以及鋸切塑膠、鋁片時，建議您降低衝擊次數。

以較少的衝擊次數長時間加工後，電動工具會變得很熱。拆下鋸片，讓電動工具以最高衝擊次數運作 3 分鐘以加速冷卻。

溫控的過載保護裝置

只要按照規定使用，電動工具就不可能過載。萬一負載過重或充電電池的溫度已超出允許範圍，電動工具的轉速會變慢或是直接停機。電動工具將持續以低轉速運作，直到充電電池的溫度降至允許範圍或負載減輕，它才會恢復全速運轉。發生自動停機的情況時，請將電動工具關機，待充電電池降溫後再重新開機。

作業注意事項

- ▶ 在電動工具上進行任何維護的工作（例如維修，更換工具等）以及搬運和儲存電動工具之前，都必須電動工具中取出充電電池。若是不小心觸動起停開關，可能造成人員受傷。
- ▶ 如果鋸片被夾住了，請立刻關閉電動工具的電源。
- ▶ 一律要在穩固平面上加工偏小型或薄片型工件。在鋸進木材、塑合板、建材等物的內部前，請先確認有無異物（例如鐵釘、螺絲等），如有必要請將它移除。

線鋸機主要是為曲線切割而設計。在 Bosch 系列中也提供可以進行直線或圓形切割的配件（視線鋸機型號而定，例如平行擋塊、導軌或割圓輔助器）。手推式線鋸機往往容易發生所謂「跑偏」的情況，也就是角度和切割精度可能不精確。精準度與否的

決定性因素在於鋸片強度、切割長度以及工件材質的密度與強度。

因此請務必透過試鋸確認所選系統的切割結果是否符合您的使用需求。

潛鋸（請參考圖 H）

- ▶ 僅加工木材、石膏板等這類的軟性材料時可進行穿刺切割！

潛鋸時只能使用短型鋸片。僅能以 0° 斜鋸角進行潛鋸。

將電動工具的底座 (9) 前緣放到工件上，但不要讓鋸片 (10) 接觸到工件，然後啟動機器。如果電動工具備衝擊次數調控功能的話，必須選擇最高衝擊次數。用力地把電動工具壓向工件，並讓鋸片慢慢地潛入工件中。

待底座 (9) 完全貼靠在工件上的時候，便立刻沿著預計完工的鋸割線繼續鋸切。

附帶割圓輔助器的平行擋塊（配件）

使用具有割圓輔助器的平行擋塊 (23) 時，工件厚度不可超過 30 mm。

平行鋸切（請參考圖 I）：鬆開止付螺絲 (22)，然後沿著底座上的導軌 (21) 移動平行擋塊的刻度尺。根據刻度調整好所需鋸切寬度。旋緊止付螺絲 (22)。

割圓（請參考圖 J）：沿著待鋸圓形內側的鋸割線上鑽孔，此孔的寬度應要足以讓鋸片穿過。用銼刀或銼刀加工鑽孔，使鋸片能夠對齊鋸割線。

在平行擋塊的另一側上裝上止付螺絲 (22)。沿著底座上的導軌 (21) 移動平行擋塊的刻度尺。在挖鋸範圍的中央位置鑽孔。將圓心尖端 (24) 穿過平行擋塊的內側開口後，插進之前鑽出的鑽孔。根據底座內緣上的刻度調整好挖鋸範圍的半徑。旋緊止付螺絲 (22)。

冷卻劑/潤滑劑

鋸切金屬時由於物料會變熱，必須在鋸割線上塗抹冷卻劑或潤滑劑。

維修和服務

維修和清潔

- ▶ 在電動工具上進行任何維護的工作（例如維修，更換工具等）以及搬運和儲存電動工具之前，都必須電動工具中取出充電電池。若是不小心觸動起停開關，可能造成人員受傷。
- ▶ 電動工具和通風口都必須保持清潔，這樣才能夠提高工作品質和安全性。

定期清潔鋸片接頭。此時必須先從電動工具中拆下鋸片，並且在平坦表面上輕敲電動工具，以便抖落塵垢。

電動工具如果沾滿污垢，可能會影響機器性能。請勿從下方或從高於頭部的位置鋸切會生成大量粉塵的材料。

如果出屑口堵塞，請關閉電動工具，取下吸塵裝置並清除粉塵和碎屑。

適時地用一滴油潤滑導引輪 (12)。

定期檢查導引輪 (12)。如果確定導引輪已經損壞，必須把機器交給經過授權的 **Bosch** 客戶服務中心更換導引輪。

顧客服務處和顧客諮詢中心

本公司顧客服務處負責回答有關本公司產品的維修、維護和備用零件的問題。以下的網頁中有分解圖和備用零件相關資料：www.bosch-pt.com

如果對本公司產品及其配件有任何疑问，博世應用諮詢小組很樂意為您提供協助。

當您需要諮詢或訂購備用零件時，請務必提供本產品型號銘牌上 10 位數的產品機號。

台灣進口商

台灣羅伯特博世股份有限公司

建國北路一段90號6樓

台北市10491

電話: (02) 7734 2588

傳真: (02) 2516 1176

www.bosch-pt.com.tw

製造商地址:

Robert Bosch Power Tools GmbH

羅伯特·博世電動工具有限公司

70538 Stuttgart / GERMANY

70538 斯圖加特/德國

以下更多客戶服務處地址：

www.bosch-pt.com/serviceaddresses

搬運

建議使用的鋰離子充電電池受危險物品法的規範。使用者無須另外使用保護包裝便可運送該充電電池。

但是如果將它交由第三者運送（例如：寄空運或委託運輸公司），則應遵照包裝與標示的相關要求。此時必須向危險物品專家請教有關寄送危險物品的相關事宜。

確定充電電池的外殼未受損後，才可以寄送充電電池。用膠帶貼住裸露的接點並妥善包裝充電電池，不可以讓充電電池在包裝材料中晃動。同時也應留意各國相關法規。

廢棄物處理



必須以符合環保的方式，將損壞的電動工具、充電電池、配件和包裝材料進行回收再利用。



不可以把電動工具和充電電池/拋棄式電池丟入一般家庭垃圾中！

充電電池/拋棄式電池：

鋰離子：

請注意「搬運」段落中的指示（參見「搬運」，頁 38）。

ไทย

คำเตือนเพื่อความปลอดภัย

คำเตือนเพื่อความปลอดภัยทั่วไปสำหรับเครื่องมือไฟฟ้า

คำเตือน อ่านคำเตือนเพื่อความปลอดภัย คำแนะนำ ภาพประกอบ และข้อมูล

จำเพาะทั้งหมดที่จัดส่งมาพร้อมกับเครื่องมือไฟฟ้า

การไม่ปฏิบัติตามคำแนะนำทั้งหมดที่ระบุไว้ด้านล่างนี้อาจทำให้ถูกไฟฟ้าดูด เกิดไฟไหม้ และ/หรือได้รับบาดเจ็บอย่างร้ายแรง

เก็บรักษาคำเตือนและคำสั่งทั้งหมดสำหรับเปิดอ่านในภายหลัง

คำว่า "เครื่องมือไฟฟ้า" ในคำเตือนหมายถึง เครื่องมือไฟฟ้าของทานที่ทำงานด้วยพลังงานไฟฟ้าจากแหล่งจ่ายไฟหลัก (มีสายไฟฟ้า) และเครื่องมือไฟฟ้าที่ทำงานด้วยพลังงานไฟฟ้าจากแบตเตอรี่ (ไร้สาย)

ความปลอดภัยในสถานที่ทำงาน

- ▶ รักษาสถานที่ทำงานให้สะอาดและมีไฟส่องสว่างดี สถานที่ที่มีมืดหรือรุงรังนำมาซึ่งอุบัติเหตุ
 - ▶ อย่าใช้เครื่องมือไฟฟ้าทำงานในสภาพบรรยากาศที่จุดติดไฟได้ เช่น ในที่มีมีของเหลวไวไฟ ก๊าซ หรือฝุ่น เมื่อใช้เครื่องมือไฟฟ้าจะเกิดประกายไฟซึ่งอาจจุดฝุ่นหรือไอให้ลุกเป็นไฟได้
 - ▶ ขณะใช้เครื่องมือไฟฟ้าทำงาน ต้องกันเด็กและผู้ยืนดูให้ออกห่าง
- การหันเหความสนใจอาจทำให้ท่านขาดการควบคุมเครื่องมือ

ความปลอดภัยเกี่ยวกับไฟฟ้า

- ▶ ปลั๊กของเครื่องมือไฟฟ้าต้องเหมาะสมพอดีกับเต้าเสียบ อย่าคิดแปลงปลั๊กไม่ว่าในลักษณะใดๆ อย่างเด็ดขาด อย่าใช้ปลั๊กพ่วงต่อใดๆ กับเครื่องมือไฟฟ้าที่มีสายดิน ปลั๊กที่ไม่ตัดแปลงและเต้าเสียบที่เข้ากันช่วยลดความเสี่ยงจากการถูกไฟฟ้าดูด
- ▶ หลีกเลี่ยงอย่าให้ร่างกายสัมผัสกับพื้นผิวที่ต่อสายดินหรือลงกราวด์ไว้ เช่น ท่อ เครื่องทำความร้อน เต้า และตู้เย็น จะเสี่ยงอันตรายจากการถูกไฟฟ้าดูดมากขึ้นหากกระแสไฟฟ้าวิ่งผ่านร่างกายของท่านลงดิน
- ▶ อย่าให้เครื่องมือไฟฟ้าถูกฝุ่นหรืออยู่ในสภาพเปียกชื้น หากนำเข้าไปในเครื่องมือไฟฟ้า จะเพิ่มความเสี่ยงจากการถูกไฟฟ้าดูด
- ▶ อย่าใช้สายไฟฟ้าในทางที่ผิด อย่าใช้สายไฟฟ้าเพื่อยก ดึง หรือถอดปลั๊กเครื่องมือไฟฟ้า กันสายไฟฟ้าออกจากความร้อน น้ำมัน ขอบแหลมคม หรือชิ้นส่วนที่เคลื่อนที่ สายไฟฟ้าที่ชำรุดหรือพันกันยุ่งเพิ่มความเสี่ยงจากการถูกไฟฟ้าดูด
- ▶ เมื่อใช้เครื่องมือไฟฟ้าทำงานกลางแจ้ง ให้ใช้สายไฟต่อที่เหมาะสมสำหรับการใช้งานกลางแจ้ง การใช้สาย

ไฟต่อที่เหมาะสมสำหรับงานกลางแจ้งช่วยลดอันตรายจากการถูกไฟฟ้าดูด

- ▶ หากไม่สามารถหลีกเลี่ยงการใช้เครื่องมือไฟฟ้าทำงานในสถานที่เปียกชื้นได้ ให้ใช้สวิตช์ตัดวงจรเมื่อเกิดการรั่วไหลของไฟฟ้าจากสายดิน (RCD) การใช้สวิตช์ตัดวงจรเมื่อเกิดการรั่วไหลของไฟฟ้าจากสายดินช่วยลดความเสี่ยงต่อการถูกไฟฟ้าดูด

ความปลอดภัยของบุคคล

- ▶ ท่านต้องอยู่ในสภาพเตรียมพร้อม ระมัดระวังในสิ่งที่ท่านกำลังทำอยู่ และมีสติขณะใช้เครื่องมือไฟฟ้าทำงาน อย่าใช้เครื่องมือไฟฟ้าขณะที่ท่านกำลังเหนื่อยหรืออยู่ภายใต้การครอบงำของฤทธิ์ของยาเสพติด แอลกอฮอล์ และยา เมื่อใช้เครื่องมือไฟฟ้าทำงานในสถานที่ที่ท่านขาดความเอาใจใส่อาจทำให้บุคคลบาดเจ็บอย่างรุนแรงได้
- ▶ ใช้อุปกรณ์ปกป้องร่างกาย สวมแว่นตาป้องกันเสมอ อุปกรณ์ปกป้อง เช่น หนวดกากันฝุ่น รองเท้านิรภัย หมวกแข็ง หรือประคบหูกันเสียงดังที่ไซตามความเหมาะสมกับสภาพการทำงาน จะลดการบาดเจ็บทางร่างกาย
- ▶ ป้องกันการติดเครื่องโดยไม่ตั้งใจ ตรวจสอบให้แน่ใจว่าสวิตช์อยู่ในตำแหน่งปิดก่อนเชื่อมต่อกับแหล่งจ่ายไฟ และ/หรือแบตเตอรี่แพ็ค ยกหรือถือเครื่องมือการถือเครื่องโดยใช้นิ้วหัวที่สวิตช์ หรือเสียบปลั๊กไฟในขณะที่สวิตช์เปิดอยู่ อาจนำไปสู่อุบัติเหตุที่ร้ายแรงได้
- ▶ นำเครื่องมือปรับแต่งหรือปรับค่าออกก่อนเปิดสวิตช์เครื่องมือไฟฟ้า เครื่องมือหรือประแจปากตายที่วางอยู่กับส่วนของเครื่องที่กำลังหมุนจะทำให้บุคคลบาดเจ็บได้
- ▶ อย่าเื่อมมือไกลเกินไป ตั้งท้ายขึ้นที่มั่นคงและวางน้ำหนักให้สมดุลตลอดเวลา ในลักษณะนี้ท่านสามารถควบคุมเครื่องมือไฟฟ้าในสถานการณ์ที่ไม่คาดคิดได้ดีกว่า
- ▶ แต่งกายอย่างเหมาะสม อย่าใส่เสื้อผ้าหลวมหรือสวมเครื่องประดับ เหน็บและเสื้อผ้าออกจากชิ้นส่วนที่เคลื่อนที่ เสื้อผ้าหลวม เครื่องประดับ และผมยาวอาจเข้าไปติดในชิ้นส่วนที่เคลื่อนที่
- ▶ หากเครื่องมือไฟฟ้ามีข้อเชื่อมต่อกับเครื่องดูดฝุ่นหรือเครื่องเก็บผง ให้ตรวจสอบให้แน่ใจว่าได้เชื่อมต่อและใช้งานอย่างถูกต้อง การใช้อุปกรณ์ดูดฝุ่นช่วยลดอันตรายที่เกิดจากฝุ่นได้
- ▶ เมื่อใช้งานเครื่องขอยครั้งจะเกิดความคุ้นเคย อย่านำความคุ้นเคยที่ท่านเกิดความชะล่าใจและละเลยกฎเกณฑ์ด้านความปลอดภัยในการใช้งานเครื่อง การทำงานอย่างไม่ระมัดระวังอาจทำให้เกิดการบาดเจ็บอย่างร้ายแรงภายในเสี้ยววินาที

การใช้และการดูแลรักษาเครื่องมือไฟฟ้า

- ▶ อย่านำชิ้นกำลังเครื่องมือไฟฟ้า ใช้เครื่องมือไฟฟ้าที่ถูกดัดแปลงตามลักษณะงานของท่าน เครื่องมือไฟฟ้าที่ถูกดัดแปลงจะทำงานได้ดีกว่าและปลอดภัยกว่าในระดับบรรทัดฐานที่ออกแบบไว้
- ▶ อย่าใช้เครื่องมือไฟฟ้าถ้าสวิตช์ไม่สามารถเปิดปิดได้ เครื่องมือไฟฟ้าที่ไม่สามารถควบคุมการเปิดปิดด้วยสวิตช์ได้ เป็นเครื่องมือไฟฟ้าที่ไม่ปลอดภัยและต้องส่งซ่อมแซม

ทซ์ได้ เป็นเครื่องมือ

มือไฟฟ้าที่ไม่ปลอดภัยและต้องส่งซ่อมแซม

- ▶ ก่อนปรับแต่งเครื่อง เปลี่ยนอุปกรณ์ประกอบ หรือเก็บเครื่องเข้าที่ ต้องถอดปลั๊กออกจากแหล่งจ่ายไฟ และ/หรือถอดแบตเตอรี่แพ็คออกจากเครื่องมือไฟฟ้าหากถอดออกได้
- ▶ มาตรการป้องกันเพื่อความปลอดภัยนี้ช่วยลดความเสี่ยงจากการติดเครื่องโดยไม่ตั้งใจ
- ▶ เมื่อเลิกใช้งานเครื่องมือไฟฟ้า ให้เก็บเครื่องมือไว้ในที่ที่เด็กหยิบไม่ถึง และไมอนุญาตให้บุคคลที่ไม่คุ้นเคยกับเครื่องมือไฟฟ้าเป็นของอันตรายหากตกอยู่ในมือของผู้ใช้ที่ไม่ได้รับการฝึกฝน
- ▶ บำรุงรักษาเครื่องมือไฟฟ้าและอุปกรณ์ประกอบ ตรวจสอบชิ้นส่วนที่เคลื่อนที่ที่วางไม่ตรงแนวหรือติดขัดหรือไม่ ตรวจสอบการแตกหักของชิ้นส่วนและสภาพอินไดที่อาจมีผลต่อการทำงานของเครื่องมือไฟฟ้า หากชำรุดต้องส่งเครื่องมือไฟฟ้าไปซ่อมแซมก่อนใช้งาน อุบัติเหตุหลายอย่างเกิดขึ้นเนื่องจากจุดดูแลรักษาเครื่องมือ
- ▶ รักษาเครื่องมือตัดให้คมและสะอาด หากบำรุงรักษาเครื่องมือที่มีขอบตัดแหลมคมอย่างถูกต้อง จะสามารถตัดได้โดยไม่ติดขัดและความคมโด่งยาวกว่า
- ▶ ใช้เครื่องมือไฟฟ้า อุปกรณ์ประกอบ เครื่องมือ และอุปกรณ์อื่น ๆ ตรงตามคำแนะนำเหล่านี้ โดยคำนึงถึงเงื่อนไขการทำงานและงานที่จะทำ การใช้เครื่องมือไฟฟ้าทำงานที่ต่างไปจากวัตถุประสงค์การใช้งานของเครื่อง อาจนำไปสู่สถานการณ์ที่เป็นอันตรายได้
- ▶ ดูแลน้ำมันและพื้นผิวจับในแห้ง สะอาด และปราศจากคราบน้ำมันและจาระบี ตามจับและพื้นผิวจับที่ลื่นทำให้หยิบจับได้ไม่ปลอดภัย และไม่สามารถควบคุมเครื่องมือในสถานการณ์ที่ไม่คาดคิด

การใช้และการดูแลรักษาเครื่องที่ใช้แบตเตอรี่

- ▶ ชาร์จไฟใหม่ด้วยเครื่องชาร์จที่บริษัทผู้ผลิตระบุไว้เท่านั้น เครื่องชาร์จที่เหมาะสมสำหรับแบตเตอรี่แพ็คประเภทหนึ่ง หกนำไปชาร์จแบตเตอรี่แพ็คประเภทอื่น อาจเกิดไฟไหม้ได้
- ▶ ใช้เครื่องมือไฟฟ้าเฉพาะกับแบตเตอรี่แพ็คที่กำหนดไว้เท่านั้น การใช้แบตเตอรี่แพ็คประเภทอื่นเสี่ยงต่อการเกิดไฟไหม้หรือบาดเจ็บ
- ▶ เมื่อไม่ใช้งานแบตเตอรี่แพ็ค ให้เก็บไว้ห่างวัตถุที่เป็นโลหะอื่นๆ เช่น คลิปหนีบกระดาษ เหรียญ กุญแจ ตะปู สกรู หรือวัตถุที่เป็นโลหะขนาดเล็กอื่นๆ ที่สามารถเชื่อมต่อขั้วหนึ่งไปยังอีกขั้วหนึ่งได้ การลัดวงจรของขั้วแบตเตอรี่อาจทำให้เกิดการไหม้หรือไฟลุกได้
- ▶ หากใช้แบตเตอรี่อย่างอาจมีของเหลวไหลออกมาจากแบตเตอรี่ได้ ให้หลีกเลี่ยงการสัมผัส หากสัมผัสโดยบังเอิญ ให้ใช้น้ำล้าง หากของเหลวเข้าตา ให้ขอความช่วยเหลือจากแพทย์ตามยี่ห้อของเหลวที่ไหลออกมาจากแบตเตอรี่อาจทำให้เกิดอาการคันหรือแสบผิวหนึ่งได้

- ▶ **อย่าใช้แบตเตอรี่แพ็คหรือเครื่องมือที่ชาร์จหรือตัดแปลง**
แบตเตอรี่ที่ชาร์จหรือตัดแปลงอาจแสดงอาการที่ไม่สามารถคาดเดาได้ ส่งผลให้เกิดไฟไหม้ ระเบิด หรือความเสี่ยงต่อการได้รับบาดเจ็บ
- ▶ **อย่าให้แบตเตอรี่แพ็คหรือเครื่องมือสัมผัสไฟหรืออุณหภูมิที่สูงเกินไป** หากสัมผัสไฟหรืออุณหภูมิที่สูงกว่า 130 °C อาจทำให้เกิดการระเบิดได้
- ▶ **ปฏิบัติตามคำแนะนำเกี่ยวกับกาชาร์จทั้งหมด และตองไม่ชาร์จแบตเตอรี่แพ็คหรือเครื่องมือนอกช่วงอุณหภูมิที่กำหนดในคำแนะนำ** การชาร์จแบตเตอรี่อย่างไม่ถูกวิธีหรือนอกช่วงอุณหภูมิที่กำหนด อาจทำให้แบตเตอรี่เสียหายและเพิ่มความเสี่ยงต่อการเกิดไฟไหม้

การบริการ

- ▶ **ส่งเครื่องมือไฟฟ้าของท่านเข้ารับบริการจากช่างซ่อมที่มีคุณสมบัติเหมาะสม โดยใส่ซองใสที่เหมือนกันเท่านั้น** ในลักษณะนี้ท่านจะแน่ใจได้ว่าเครื่องมือไฟฟ้าอยู่ในสภาพที่ปลอดภัย
- ▶ **อย่าบำรุงรักษาแบตเตอรี่แพ็คที่ชาร์จอย่างเด็ดขาด** ต้องส่งให้บริษัทผู้ผลิตหรือศูนย์บริการที่ได้รับอนุญาตทำการบำรุงรักษาแบตเตอรี่แพ็คเท่านั้น

คำเตือนเพื่อความปลอดภัยสำหรับเลื่อยฉล

- ▶ **เมื่อทำงานในบริเวณที่อุปกรณ์ตัดอาจสัมผัสสายไฟฟ้าที่ซ่อนอยู่** ต้องจับเครื่องมือไฟฟ้าตรงพื้นผิวจับที่หมุนวน หากอุปกรณ์ตัดสัมผัสสายที่ “มีกระแสไฟฟ้า” ไหลผ่าน จะทำให้ชิ้นส่วนโลหะที่ไม่ได้หมุนวนของเครื่องมือไฟฟ้าเกิด “มีกระแสไฟฟ้า” ด้วย และส่งผลให้ใช้งานเครื่องถูกไฟฟ้าดูดได้
- ▶ **ใช้เครื่องมือหรือวิธีอื่นที่ได้ผลเพื่อยึดและหนุนชิ้นงานกับแท่นที่มั่นคง** การจับชิ้นงานด้วยมือหรือขันไวกับรางงานจะไม่มั่นคง และอาจทำให้สูญเสียการควบคุมได้
- ▶ **เอามือออกจากบริเวณแนวเลื่อย อย่าเอื้อมมือเข้าใต้ชิ้นงาน** การสัมผัสกับใบเลื่อยจะทำให้บาดเจ็บได้
- ▶ **จับเครื่องมือไฟฟ้าเข้าหาชิ้นงานเมื่อเครื่องเปิดสวิตช์อยู่เท่านั้น** มิฉะนั้นอาจได้รับอันตรายจากการตีกลับหากเครื่องมือตัดติดขัดอยู่ในชิ้นงาน
- ▶ **ตรวจสอบให้แน่ใจว่าขณะเลื่อยได้วางแผ่นฐานไว้อย่างมั่นคง** ใบเลื่อยที่ติดขัดอาจแตกหัก หรือทำให้เกิดการตีกลับได้
- ▶ **เมื่อเสร็จสิ้นการทำงาน ให้ปิดสวิตช์เครื่องมือไฟฟ้าและดึงใบเลื่อยออกจากร่องตัดเมื่อใบเลื่อยหยุดนิ่งอยู่กับที่แล้วเท่านั้น** ในลักษณะนี้ท่านสามารถหลีกเลี่ยงการตีกลับ และวางเครื่องลงได้อย่างปลอดภัย
- ▶ **รอให้เครื่องมือไฟฟ้าหยุดสนิทก่อนวางเครื่องลงบนพื้น** เครื่องมือที่ใส่อยู่อาจติดขัดและทำให้สูญเสียการควบคุมเครื่องมือไฟฟ้า
- ▶ **ใช้เฉพาะใบเลื่อยที่ไม่ชาร์จและมีสภาพที่สมบูรณ์เท่านั้น** ใบเลื่อยที่ทื่อหรือมีดงสามารถแตกหัก ส่งผลเชิงลบต่อการตัด หรือทำให้เกิดการตีกลับได้

- ▶ **หลังปิดสวิตช์ อย่าเบรกใบเลื่อยให้หยุดนิ่งโดยการกดลงตามขวาง** ใบเลื่อยอาจชาร์จ แตกหัก หรือทำให้เกิดการตีกลับได้
- ▶ **ใช้เครื่องมือไฟฟ้าพร้อมแผ่นรองพื้นเท่านั้น** หากทำงานโดยไม่มีแผ่นรองพื้น อาจเสี่ยงต่อการสูญเสียการควบคุมเครื่องมือไฟฟ้าได้
- ▶ **ใช้เครื่องตรวจจับที่เหมาะสมเพื่อตรวจหาสายไฟฟ้าหรือท่อสาธารณูปโภคที่อาจซ่อนอยู่ในบริเวณทำงานหรือติดต่อบริษัทสาธารณูปโภคในพื้นที่เพื่อขอความช่วยเหลือ** การสัมผัสกับสายไฟฟ้าอาจทำให้เกิดไฟไหม้หรือถูกไฟฟ้าดูด การทำให้ออกเสียหายนอาจทำให้เกิดระเบิด การเจาะเข้าไปในท่อ ทำให้ทรัพย์สินเสียหาย
- ▶ **เมื่อแบตเตอรี่ชาร์จและนำไปใช้งานอย่างไม่ถูกต้อง อาจมีไอระเหยออกมาได้** แบตเตอรี่อาจเผาไหม้หรือระเบิดได้ให้สูดอากาศบริสุทธิ์และไปพบแพทย์ในกรณีเจ็บปวด ไอระเหยอาจทำให้ระบมหายใจระคายเคือง
- ▶ **อย่าเปิดแบตเตอรี่** อันตรายจากการลัดวงจร
- ▶ **วัตถุที่แหลมคม ต. ย. เช่น ตะปูหรือไขควง หรือแรงกระทำภายนอก อาจทำให้แบตเตอรี่เสียหายได้** สิ่งเหล่านี้อาจทำให้เกิดการลัดวงจรภายในและแบตเตอรี่ไหม้ มีควัน ระเบิด หรือร้อนเกินไป
- ▶ **ใช้เฉพาะแบตเตอรี่จากผลิตภัณฑ์ของผู้ผลิต** ในลักษณะนี้ แบตเตอรี่แพ็คจะได้รับการปกป้องจากการใช้งานเกินกำลังซึ่งเป็นอันตราย



ปกป้องแบตเตอรี่จากความร้อน รวมทั้ง ต. ย. เช่น จากการถูกแสงแดดส่องต่อเนื่อง จากไฟลิ่งสปริง น้ำ และความชื้น อันตรายจากการระเบิดและการลัดวงจร

รายละเอียดผลิตภัณฑ์และข้อมูลจำเพาะ



อ่านคำเตือนเพื่อความปลอดภัยและคำแนะนำทั้งหมด การไม่ปฏิบัติตามคำเตือนและคำสั่งอาจเป็นสาเหตุใหญ่ถูกไฟฟ้าดูด เกิดไฟไหม้และ/หรือได้รับบาดเจ็บอย่างร้ายแรง กรุณาดูภาพประกอบในส่วนหน้าของคู่มือการใช้งาน

ประโยชน์การใช้งานของเครื่อง

เครื่องนี้ใช้สำหรับตัดไม้ พลาสติก โลหะ แผ่นเซรามิก ยาง และลามิเนต/HPL (High Pressure Laminate) เครื่องนี้เหมาะสำหรับตัดแนวตรงและตัดโค้งด้วยมุมมองค่าถึง 45° อานและปฏิบัติตามคำแนะนำนี้เกี่ยวกับใบเลื่อย

ส่วนประกอบที่แสดงภาพ

ลำดับเลขของส่วนประกอบผลิตภัณฑ์อ้างอิงถึงส่วนประกอบของเครื่องมือไฟฟ้าที่แสดงในหน้าภาพประกอบ

- (1) ปุ่มเลือกอัตราขยายชักกลับหน้า
- (2) ตัวล็อกป้องกันการเปิดใช้งานสำหรับสวิตช์เปิด-ปิด
- (3) สวิตช์เปิด-ปิด
- (4) ประแจหกเหลี่ยม

- (5) แบ้นปลดลือกแบตเตอรี่แบบชาร์จได้^{a)}
 - (6) แบตเตอรี่แบบชาร์จได้^{a)}
 - (7) ตามจับ (พื้นผิวจับหุ้มฉนวน)
 - (8) คันโยกสำหรับปรับการเตะ
 - (9) แผ่นฐาน
 - (10) โยเหลือย^{a)}
 - (11) กันชน
 - (12) หัวจับโยเหลือย
 - (13) ตัวจับโยเหลือย
 - (14) ไฟส่องบริเวณทำงาน
 - (15) แผ่นป้องกันการฉีกที่ผิววัสดุ
 - (16) ฝาครอบสำหรับดูดฝุ่น^{a)}
 - (17) ท่อต่อดูดฝุ่น^{a)}
 - (18) ท่อดูดฝุ่น^{a)}
 - (19) สกรู แผ่นฐาน
 - (20) มาตราส่วนมุมฉาก
 - (21) ช่องนำแผ่นนำเลื่อยแบบขนาน
 - (22) สกรูล็อคตัวนำเลื่อยแบบขนาน^{a)}
 - (23) แผ่นนำเลื่อยแบบขนานพร้อมอุปกรณ์ตัดวงกลม^{a)}
 - (24) ตัวหมายศูนย์ของอุปกรณ์ตัดวงกลม^{a)}
- a) อุปกรณ์ประกอบที่แสดงภาพหรืออธิบายไม่รวมอยู่ในการจัดส่งมาตรฐาน กรุณาดูอุปกรณ์ประกอบทั้งหมดในรายการแสดงอุปกรณ์ประกอบของเรา

ข้อมูลทางเทคนิค

เลื่อยแบตเตอรี่แพ็ค	GST 183-LI	
หมายเลขสินค้า		3 601 EB7 0..
แรงดันไฟฟ้ากัก	V=	18
อัตราชั้บชักเดินตัวเปล่า n ₀ ^{A)}	นาที ⁻¹	0-3300
ระยะช่วงชัก	มม.	20
ความลึกการตัด สูงสุด		
- ในไม้	มม.	95
- ในอะลูมิเนียม	มม.	15
- ในเหล็กกล้า (ไม่เจือ)	มม.	8
การตัดมุม (ซ้าย/ขวา) สูงสุด	°	45
น้ำหนักตามระเบียบการ EPTA-Procedure 01:2014	กก.	2.0-3.0 ^{B)}
อุณหภูมิโดยรอบที่แนะนำเมื่อชาร์จ	°C	0 ... +35
อุณหภูมิโดยรอบที่อนุญาตเมื่อใช้งาน ^{C)} และเมื่อจัดเก็บ	°C	-20 ... +50
แบตเตอรี่ที่ใช้งานร่วมกันได้		GBA 18V... ProCORE18V...

เลื่อยแบตเตอรี่แพ็ค

แบตเตอรี่แบบชาร์จได้ที่แนะนำ	GST 183-LI
แบตเตอรี่แบบชาร์จได้ที่แนะนำ	GBA 18V... ≥ 4,0 Ah ProCORE18V... ≥ 4,0 Ah
เครื่องชาร์จที่แนะนำ	GAL 18... GAX 18... GAL 36...

A) ดำเนินการวัด ณ อุณหภูมิ 20-25 °C พร้อมแบตเตอรี่ **GBA 18V 4.0Ah**

B) ขึ้นอยู่กับแบตเตอรี่แพ็คที่ใช้

C) สมรรถภาพจะน้อยลงที่อุณหภูมิ < 0 °C

ค่าอาจแตกต่างกันไปตามผลิตภัณฑ์และขึ้นอยู่กับเงื่อนไขด้านการใช้งานและสภาพแวดล้อม โปรดดูข้อมูลเพิ่มเติมที่เว็บไซต์ www.bosch-professional.com/wac

แบตเตอรี่

Bosch จำหน่ายเครื่องมือไฟฟ้าไร้สายไม่รวมแบตเตอรี่แพ็คด้วยเช่นกัน คุณสามารถดูได้จากบรรจุภัณฑ์ว่า ขอบเขตการจัดส่งเครื่องมือไฟฟ้าของคุณมีแบตเตอรี่แพ็คหรือไม่

การชาร์จแบตเตอรี่

- ▶ **ใช้เฉพาะเครื่องชาร์จแบตเตอรี่ที่ระบุในข้อมูลทางเทคนิคเท่านั้น** เฉพาะเครื่องชาร์จแบตเตอรี่เหล่านี้เท่านั้นที่เข้าชุดกับแบตเตอรี่ลิเธียม ไอออน ของเครื่องมือไฟฟ้าของท่าน

หมายเหตุ: แบตเตอรี่ลิเธียม ไอออนถูกจัดส่งโดยมีการชาร์จไฟบางส่วนตามระเบียบข้อบังคับด้านการขนส่งระหว่างประเทศ เพื่อให้แน่ใจว่าแบตเตอรี่จะทำงานได้อย่างสมบูรณ์แบบ ก่อนใช้งานครั้งแรกให้ชาร์จแบตเตอรี่จนเต็ม

การใส่แบตเตอรี่

ใส่แบตเตอรี่ที่ชาร์จแล้วเข้าในด้ามจับจนรู้สึกเข้าล็อค

การถอดแบตเตอรี่

เมื่อต้องการถอดแบตเตอรี่แพ็คออก ให้กดแบ้นปลดลือกแบตเตอรี่และดึงแบตเตอรี่แพ็คออกจากเครื่องมือไฟฟ้า **อย่าใช้กำลังดึง**

แบตเตอรี่แพ็คมีการล็อก 2 ระดับเพื่อป้องกันไม่ให้แบตเตอรี่แพ็คร่วงหล่นออกมาหากกดแบ้นปลดลือกแบตเตอรี่โดยไม่ตั้งใจ เมื่อแบตเตอรี่ถูกบรรจุอยู่ในเครื่องมือไฟฟ้า สปริงจะยึดแบตเตอรี่ให้เข้าตำแหน่ง

ไฟแสดงสถานะการชาร์จแบตเตอรี่

หมายเหตุ: ไม่ใช่แบตเตอรี่ทุกระเภทที่จะมีไฟแสดงระดับการชาร์จ

ไฟ LED สีเขียวของการแสดงสถานะการชาร์จแบตเตอรี่แสดงสถานะการชาร์จของแบตเตอรี่ ด้วยเหตุผลด้านความปลอดภัยท่านสามารถตรวจสอบสถานะการชาร์จเฉพาะเมื่อเครื่องมือไฟฟ้าหยุดสนิทเท่านั้น

กดปุ่มสำหรับไฟแสดงสถานะการชาร์จแบตเตอรี่ ๑๒ หรือ ๑๓ เพื่อแสดงสถานะการชาร์จ ท่านสามารถกดได้แม้มือถือถอดแบตเตอรี่ออกแล้ว

หลังจากกดปุ่มสำหรับไฟแสดงสถานะการชาร์จแบตเตอรี่แล้ว ไฟ LED ไม่ติดขึ้น แสดงว่าแบตเตอรี่ชาร์จและต้องเปลี่ยนใหม่

แบตเตอรี่-ชนิด GBA 18V...



LED	ความจุ
ไฟส่องสว่างต่อเนื่อง 3× สีเขียว	60–100 %
ไฟส่องสว่างต่อเนื่อง 2× สีเขียว	30–60 %
ไฟส่องสว่างต่อเนื่อง 1× สีเขียว	5–30 %
ไฟกะพริบ 1× สีเขียว	0–5 %

แบตเตอรี่-ชนิด ProCORE18V...



LED	ความจุ
ไฟส่องสว่างต่อเนื่อง 5× สีเขียว	80–100 %
ไฟส่องสว่างต่อเนื่อง 4× สีเขียว	60–80 %
ไฟส่องสว่างต่อเนื่อง 3× สีเขียว	40–60 %
ไฟส่องสว่างต่อเนื่อง 2× สีเขียว	20–40 %
ไฟส่องสว่างต่อเนื่อง 1× สีเขียว	5–20 %
ไฟกะพริบ 1× สีเขียว	0–5 %

ข้อแนะนำในการปฏิบัติต่อแบตเตอรี่อย่างเหมาะสมที่สุด

ปกป้องแบตเตอรี่จากความชื้นและน้ำ

เก็บรักษาแบตเตอรี่แพ็คในช่วงอุณหภูมิ -20 °C ถึง 50 °C เท่านั้น อย่าปล่อยให้วางแบตเตอรี่แพ็คไว้ในรถยนต์ในช่วงฤดูร้อน

ทำความสะอาดช่องระบายอากาศเป็นครั้งคราวโดยใช้แปรงขนอ่อนที่แห้งและสะอาด

หลังจากชาร์จแบตเตอรี่แล้ว หากแบตเตอรี่แพ็คมีช่วงเวลาทำงานสั้นมาก แสดงว่าแบตเตอรี่แพ็คเสื่อมและต้องเปลี่ยนใหม่

อ่านและปฏิบัติตามข้อสังเกตสำหรับการกำจัดขยะ

การติดตั้ง

- ▶ ถอดแบตเตอรี่ออกจากเครื่องมือไฟฟ้าก่อนทำการปรับแต่งใดๆ ที่เครื่องมือไฟฟ้า (ต. ย. เช่น บำรุงรักษา เปลี่ยนเครื่องมือ ฯลฯ) รวมทั้งเมื่อขนย้ายและเก็บรักษา อันตรายจากการบาดเจ็บหากสวิตช์เปิด-ปิดติดขึ้นอย่างไม่ตั้งใจ

การใส่/การเปลี่ยนใบเลื่อย

- ▶ เมื่อติดตั้งหรือเปลี่ยนเครื่องมือ ต้องสวมถุงมือป้องกัน เครื่องมือมีความคมและอาจจอนขึ้นเมื่อใช้งานเป็นเวลานาน

การเลือกใบเลื่อย

กรุณาดูภาพรวมของใบเลื่อยที่แนะนำที่ปรากฏอยู่ตอนท้ายของคู่มือเล่มนี้ ให้ใช้เฉพาะใบเลื่อยที่มีก้านรูเดียว (T shank) เท่านั้น ใบเลื่อยควรมีขนาดยาวกว่าความหนาการตัดที่ต้องการเพียงเล็กน้อยเท่าที่จำเป็น ใช้ใบเลื่อยบางเมื่อตัดโค้งแคบ

การใส่ใบเลื่อย (ดูภาพประกอบ A)

- ▶ ทำความสะอาดก้านของใบเลื่อยก่อนใส่ ก้านที่สกปรกไม่สามารถยึดได้อย่างแน่นหนา ต้นใบเลื่อย (10) เข้าในตัวจับใบเลื่อย (13) จนเข้าล็อกโดยให้ฟันอยู่ในทิศทางตัด

ขณะใส่ใบเลื่อยให้ตรวจสอบให้แน่ใจว่าส่วนหลังใบเลื่อยอยู่ในร่องของตัวจับใบเลื่อย (12)

- ▶ ตรวจสอบให้ใบเลื่อยเข้าที่อย่างมั่นคง ใบเลื่อยที่ใส่ไว้หลวมๆ อาจหล่นออกมาและทำให้บาดเจ็บได้

การถอดใบเลื่อย (ดูภาพประกอบ B)

เลื่อนตัวรับใบเลื่อย (13) ขึ้นในทิศทางลูกศร และถอดใบเลื่อย (10)

แผ่นป้องกันการฉีกที่ผิววัสดุ (ดูภาพประกอบ C)

แผ่นป้องกันการฉีกที่ผิววัสดุ (15) จะช่วยป้องกันไม่ให้ผิววัสดุหลุดเป็นฝอยขณะเลื่อยไม้ แผ่นป้องกันการฉีกที่ผิววัสดุใช้ได้กับใบเลื่อยบางประเภทเท่านั้น และยังใช้ได้เฉพาะสำหรับการตัดมุม 0° เท่านั้น

ถอดแผ่นป้องกันการฉีกที่ผิววัสดุ (15) จากด้านล่างเข้าในแผ่นฐาน (9)

การตัดฟ่อน/ซี่เลื่อย

ฟ่อนที่ได้จากวัสดุ เช่น เคลือบผิวที่มีสารตะกั่ว ไม้บางประเภท แร่ธาตุ และโลหะ อาจเป็นอันตรายต่อสุขภาพ การสัมผัสหรือการหายใจเอาฟ่อนเข้าไปอาจทำให้เกิดปฏิกิริยาแพ้ฟ่อน และ/หรือนำมาซึ่งโรคติดเชื้อระบบหายใจแก่ผู้ใช้เครื่องมือหรือผู้ที่ยืนอยู่ใกล้เคียง

ฟ่อนบางประเภท เช่น ฟ่อนไม้โอ๊ก หรือไม้บีช นับเป็นสารที่ทำให้เกิดมะเร็ง โดยเฉพาะอย่างยิ่งเมื่อผสมกับสารเติมแต่งเพื่อบำบัดไม้ (โครเมต ผลิตภัณฑ์รักษาเนื้อไม้) สำหรับวัสดุที่มีแอลเบสทอสตองใหญ่เขียวขายทำงานเท่านั้น

- ใช้ระบบดูดฟ่อนออกที่เหมาะสมกับประเภทวัสดุ มากเท่าที่จะทำได้
- จัดสถานที่ทำงานให้มีการระบายอากาศที่ดี
- ขอแนะนำให้สวมหน้ากากป้องกันการติดเชื้อที่มีระดับ-ได้กรอง P2

ปฏิบัติตามกฎข้อบังคับสำคัญอื่น ๆ ที่เกี่ยวกับวัสดุชิ้นงานที่บังคับใช้ในประเทศของท่าน

- ▶ ป้องกันการสะสมของฟ่อนในสถานที่ทำงาน ฟ่อนสามารถถูกไหม้อย่างง่ายดาย

ฝาครอบ (รูปภาพประกอบ D)

ติดตั้งฝาครอบ (16) ก่อนเชื่อมต่อเครื่องมือไฟฟ้าเข้ากับอุปกรณ์ดูดฝุ่น

สวมฝาครอบ (16) เข้านบนเครื่องมือไฟฟ้าในลักษณะให้ตัวยึดขบเข้านกันชน (11)

ถอดฝาครอบ (16) ออกเมื่อทำงานโดยไม่มีอุปกรณ์ดูดฝุ่นและเมื่อตัดมุมบาก เมื่อต้องการถอดให้ดึงฝาครอบไปข้างหน้าออกจากกันชน (11)

การเชื่อมต่ออุปกรณ์ดูดฝุ่น (รูปภาพประกอบ E-F)

สวมท่อต่อดูดฝุ่น (17) เข้าในช่องใส่ของแผ่นฐาน (9) ตรวจสอบให้แน่ใจว่าหมุดที่ท่อต่อดูดฝุ่นติดตั้งแสดงในภาพประกอบ E เขาล็อกในช่องที่สอดคล้องกันของแผ่นฐาน (9) เสียบท่อดูดฝุ่น (18) (อุปกรณ์ประกอบ) เข้านบนท่อต่อดูดฝุ่น (17) เชื่อมต่อท่อดูดฝุ่น (18) เขากับเครื่องดูดฝุ่น (อุปกรณ์ประกอบ)

ดูภาพรวมการเชื่อมต่อกับเครื่องดูดฝุ่นต่างๆ ได้ที่ตอนท้ายของคู่มือการใช้งานฉบับนี้

เพื่อให้ดูดฝุ่นได้อย่างมีประสิทธิภาพสูงสุด ให้ติดตั้งแผ่นป้องกันการฉีกที่ผิววัสดุ (15) หากเป็นไปได้

เครื่องดูดฝุ่นต้องมียุทธศาสตร์การทำงานที่เหมาะสมกับประเภทวัสดุชิ้นงาน

ในกรณีดูดฝุ่นแห้งที่เป็นอันตรายต่อสุขภาพอย่างยิ่งหรืออาจก่อให้เกิดมะเร็งได้ ให้ใช้เครื่องดูดฝุ่นพิเศษ

การปฏิบัติงาน

รูปแบบการทำงาน

- ▶ ถอดแบตเตอรี่ออกจากเครื่องมือไฟฟ้าก่อนทำการปรับแต่งใดๆ ที่เครื่องมือไฟฟ้า (ดู ย. เช่น บำรุงรักษา เปลี่ยนเครื่องมือ ฯลฯ) รวมทั้งเมื่อขนย้ายและเก็บรักษา อันตรายจากการบาดเจ็บหากสวิตช์เปิด-ปิดติดขึ้นอย่างไม่ตั้งใจ

การตั้งการเตะ

การเตะตั้งได้สี่ขั้น ทำให้สามารถปรับความเร็วการตัดประสิทธิภาพการตัด และแบบการตัดให้เหมาะกับวัสดุชิ้นงานได้ดีที่สุด

ท่านสามารถตั้งการเตะได้ด้วยคันโยก (8) และสามารถลัดคันโยกได้เมฆขณะเครื่องกำลังทำงานอยู่

ขั้น 0	ไม่เตะ
ขั้น I	เตะน้อย
ขั้น II	เตะปานกลาง
ขั้น III	เตะมาก

ระดับการแกว่งที่เหมาะสมที่สุดสำหรับงานที่เกี่ยวข้องสามารถกำหนดได้จากการทดลองปฏิบัติ ปฏิบัติตามคำแนะนำต่อไปนี้:

- หากเลือกระดับการแกว่งต่ำลงหรือปิดใช้การแกว่ง คมตัดยังคงจะละเอียดและเนียนยิ่งขึ้น
- ปิดการสั่นเมื่อตัดเฉือนวัสดุบาง (เช่น แผ่นโลหะ)
- ดำเนินงานกับวัสดุแข็ง (เช่น เหล็ก) โดยใช้การแกว่งที่ต่ำลง

- คุณสามารถดำเนินงานโดยใช้การแกว่งสูงสุดสำหรับวัสดุที่อ่อนนุ่มและเมื่อเลื่อยไม้

การปรับมุมบาก (รูปภาพประกอบ G)


แผ่นฐาน (9) สามารถเอียงซ้ายหรือขวาได้ถึง 45° เพื่อตัดมุมบาก

เมื่อตัดมุมบากจะไม่สามารถนำฝาครอบ (16) และแผ่นป้องกันการฉีกที่ผิววัสดุ (15) มาใช้ร่วมด้วยได้

- ดันท่อต่อดูดฝุ่น (17) ขึ้นเล็กน้อยและดึงออกจากแผ่นฐาน (9)
- ถอดฝาครอบ (16) และแผ่นป้องกันการฉีกที่ผิววัสดุ (15) ออก
- คลายสกรู (19) ด้วยประแจหกเหลี่ยม (4) แล้วดันแผ่นฐาน (9) ไปทางใบเลื่อย (10) เล็กน้อย
- บนแผ่นฐานมีร่องบากทั้งซ้ายและขวาที่ 0° และ 45° เพื่อใช้ปรับมุมบากให้ตรงตามตรง หมุนแผ่นฐาน (9) ตามมาตราส่วน (20) ไปยังตำแหน่งที่ต้องการ มุมบากอื่นๆ สามารถปรับได้โดยใช้ไมโครเมตรเคอร์
- จากนั้นดันแผ่นฐาน (9) ไปทางแบตเตอรี่แบบชาร์จได้จนสุด
- ยึดสกรู (19) กลับให้แน่นอีกครั้ง


การเริ่มต้นปฏิบัติงาน

การเปิด-ปิดเครื่อง

เมื่อต้องการให้เครื่องมือไฟฟ้าเปิดสวิตช์ ก่อนอื่นลัดจากสัญลักษณ์  ให้กดปุ่มลัด (2) แล้วเปิดใช้งาน จากนั้นให้กดสวิตช์เปิด-ปิด (3) และกดค้างไว้

ไฟส่องบริเวณทำงาน จะส่องสว่างเมื่อกดสวิตช์เปิด-ปิด (3) เบาๆ หรือเต็มที่ และช่วยเพิ่มความสว่างในบริเวณทำงานภายใต้สภาพแสงที่ไม่เอื้ออำนวย

- ▶ ยามองตรงเขาไปในไฟส่องบริเวณทำงาน ไฟอาจทำให้ท่านตาพร่าได้

ปิดสวิตช์ เครื่องมือไฟฟ้าโดยปล่อยนิ้วจากสวิตช์เปิด-ปิด (3) เปิดใช้งานปุ่มลัด (2), โดยกดสวิตช์เปิดเครื่องที่อยู่ถัดจากสัญลักษณ์  บนปุ่มลัด

การควบคุม/การตั้งความเร็วขยับชักล่วงหน้า

ท่านสามารถควบคุมความเร็วขยับชักของเครื่องมือไฟฟ้าที่เปิดสวิตช์ไว้ได้อย่างต่อเนื่อง โดยเพิ่มหรือลดแรงกดบนสวิตช์เปิด-ปิด (3)

เมื่อกดบนสวิตช์เปิด-ปิด (3) เบาๆ จะได้ความเร็วขยับชักต่ำ ถากดแรงขึ้น ความเร็วขยับชักก็จะเพิ่มขึ้นด้วย สามารถตั้งความเร็วขยับชักล่วงหน้าด้วยปุ่มเลือกความเร็วขยับชักล่วงหน้า (1) และเปลี่ยนค่าได้ขณะเครื่องกำลังเดินอยู่

เกมท์จิงหวะขยับชักที่ต้องใช้ขึ้นอยู่กับประเภทวัสดุชิ้นงานและเงื่อนไขการทำงาน การทดลองภาคปฏิบัติจะช่วยให้ได้เกมท์จิงหวะที่ดีที่สุด

ขอแนะนำให้ลดอัตราขยับชักลงขณะใบเลื่อยขบเข้าในวัสดุชิ้นงาน และเมื่อเลื่อยพลาสติกและอะลูมิเนียม

เมื่อทำงานที่อัตราขยับชักต่ำเป็นเวลานาน เครื่องอาจร้อนขึ้นมาก ให้ถอดใบเลื่อยออก และทำให้เครื่องมือไฟฟ้าเย็นลงโดยปล่อยให้เครื่องเดินด้วยความเร็วขยับชักสูงสุดนานประมาณ 3 นาที

การป้องกันการใช้งานเกินกำลังโดยอาศัยอุณหภูมิ

เมื่อใช้งานเครื่องมือไฟฟ้าตรงตามวัตถุประสงค์ เครื่องจะไม่ทำงานเกินกำลัง หากเครื่องทำงานเกินกำลังหรือไม่อยู่ในช่วงอุณหภูมิเบสเดอริ์ที่อนุญาต ความเร็วจะลดลงหรือเครื่องมือไฟฟ้าจะปิดสวิตช์ ที่ความเร็วลดลงเครื่องมือไฟฟ้าจะทำงานอีกครั้งด้วยความเร็วเต็มปกติ ในพื้นที่ที่ถึงอุณหภูมิเบสเดอริ์ที่อนุญาตหรือเมื่อภาระงานลดลง เมื่อเครื่องมือไฟฟ้าปิดสวิตช์โดยอัตโนมัติ ให้ปิดสวิตช์เครื่อง ปล่อยให้เบสเดอริ์แพ็คเย็นลง แล้วจึงเปิดสวิตช์เครื่องมือไฟฟ้าอีกครั้ง

ข้อแนะนำในการทำงาน

▶ **ถอดเบสเดอริ์ออกจากเครื่องมือไฟฟ้าก่อนทำการปรับแต่งใดๆ ที่เครื่องมือไฟฟ้า (ค. ย. เช่น บำรุงรักษา เปลี่ยนเครื่องมือ ฯลฯ) รวมทั้งเมื่อขนย้ายและเก็บรักษา** อันตรายจากการบาดเจ็บหากสวิตช์เปิด-ปิดติดขึ้นอย่างไม่ตั้งใจ

▶ **หากใบเลื่อยติดขัด ให้ปิดสวิตช์เครื่องทันที**

▶ **เมื่อทำงานกับชิ้นงานขนาดเล็กหรือบางให้ใช้พื้นรองรับที่แข็งแรงเสมอ**

ก่อนเลื่อยในไม้ ไม้อัด วัสดุก่อสร้าง ฯลฯ ให้ตรวจหาสิ่งแปลกปลอม เช่น ตะปู สกรู หรือสิ่งคล้ายคลึงในวัสดุเหล่านี้ และหากจำเป็นให้ถอนสิ่งแปลกปลอมนั้นออกไป

เลื่อยฉลุได้รับการออกแบบมาเป็นพิเศษสำหรับการตัดแบบโค้ง ในกลุ่มผลิตภัณฑ์ **Bosch** ยังรวมถึงอุปกรณ์เสริมที่ช่วยให้สามารถตัดตรงหรือตัดเป็นวงกลมได้ (ขึ้นอยู่กับรุ่นของเลื่อยฉลุ เช่น รั้วขนาน รางนำ หรือเครื่องตัดแบบวงกลม) เลื่อยฉลุมักจะ "หนีศูนย์กลาง" นั่นคืออาจไม่มีมุมและความแม่นยำในการตัดอาจอีกต่อไป ปัจจัยชี้ขาดที่ส่งผลต่อความแม่นยำ ได้แก่ ความหนาของใบเลื่อย ความยาวของการตัด และความหนาแน่นของวัสดุ และความหนาของชิ้นงาน

ดังนั้น คุณควรตรวจสอบกับการทดสอบการตัดทุกครั้งว่า ผลการตัดของระบบที่เลือกนั้นสอดคล้องกับข้อกำหนดการใช้งานของคุณหรือไม่

การจ้วงตัด (ดูภาพประกอบ H)

▶ **การจ้วงตัดจะทำได้เฉพาะเมื่อตัดวัสดุเนื้อ ตัวอย่าง เช่น ไม้ แผ่นกระดานยิปซัม และอื่นๆ เท่านั้น!**

สำหรับการจ้วงตัด ให้ใช้เฉพาะใบเลื่อยสั้นเท่านั้น การจ้วงตัดกระทำไ้เมื่อตั้งมุมมากไว้ที่ตำแหน่ง 0° เท่านั้น

วางเครื่องมือไฟฟ้าโดยให้ขอบหน้าของแผ่นฐาน (9) จดลงบนชิ้นงาน แต่ไม่ให้ใบเลื่อย (10)แตะชิ้นงาน และเปิดสวิตช์สำหรับเครื่องมือไฟฟ้าที่มีการควบคุมความเร็วขยับขึ้น ให้ตั้งความเร็วขยับขึ้นสูงสุด จับเครื่องมือไฟฟ้าเข้าหาชิ้นงานอย่างมั่นคง และจ้วงใบเลื่อยเข้าไปในชิ้นงานอย่างช้าๆ เมื่อแผ่นฐาน (9) วางเต็มที่ยบนพื้นผิววัสดุแล้ว ให้เลื่อยตามเส้นตัดที่ต้องการต่อไป

แผ่นนำเลื่อยแบบขนานพร้อมอุปกรณ์ตัดวงกลม (อุปกรณ์ประกอบ)

สำหรับการตัดโดยใช้แผ่นนำเลื่อยแบบขนานพร้อมอุปกรณ์ตัดวงกลม (23) ความหนาสูงสุดของวัสดุชิ้นงานคือ 30 มม. การตัดแบบขนาน (ดูภาพประกอบ I): คลายสกรูล็อค (22) ออกและเลื่อนมาตราส่วนของแผ่นนำเลื่อยแบบขนานเข้าไปในช่องนำ (21) ในแผ่นฐาน ตั้งความกว้างการตัดที่ต้องการ

เป็นค่ามาตราส่วนบนขอบด้านในของแผ่นฐาน ชั้นสกรูล็อค (22) เข้าไปแน่น

การตัดวงกลม (ดูภาพประกอบ J): เจาะรูใกล้กับเส้นตัดภายในวงกลมที่จะเลื่อย โดยรูต้องใหญ่พอที่จะใส่ใบเลื่อย แกะไขรูเจาะด้วยเราเตอร์หรือตะไบเพื่อให้สามารถวางใบเลื่อยชิดกับเส้นตัดได้

ปรับตำแหน่งสกรูล็อค (22) ที่อีกด้านหนึ่งของแผ่นนำเลื่อยแบบขนาน เลื่อนมาตราส่วนของแผ่นนำเลื่อยแบบขนานเข้าไปในช่องนำ (21) ในแผ่นฐาน เจาะรูเข้าในชิ้นงานโดยให้รูอยู่ตรงกลางส่วนที่จะเลื่อยออก ใส่ตัวหมายศูนย์กลาง (24) ผ่านช่องเปิดด้านในของแผ่นนำเลื่อยแบบขนานและเข้าในรูที่เจาะไว้ ตั้งรัศมีเป็นค่ามาตราส่วนที่ขอบด้านในของแผ่นฐาน ชั้นสกรูล็อค (22) เข้าไปแน่น

สารหล่อเย็น/น้ำมันหล่อลื่น

เมื่อเลื่อยโลหะ ให้อุณหภูมิสารหล่อเย็น/น้ำมันหล่อลื่นตามรอยตัดเนื่องจากวัสดุร้อนขึ้น

การบำรุงรักษาและการบริการ

การบำรุงรักษาและการทำความสะอาด

▶ **ถอดเบสเดอริ์ออกจากเครื่องมือไฟฟ้าก่อนทำการปรับแต่งใดๆ ที่เครื่องมือไฟฟ้า (ค. ย. เช่น บำรุงรักษา เปลี่ยนเครื่องมือ ฯลฯ) รวมทั้งเมื่อขนย้ายและเก็บรักษา** อันตรายจากการบาดเจ็บหากสวิตช์เปิด-ปิดติดขึ้นอย่างไม่ตั้งใจ

▶ **เพื่อให้ทำงานได้อย่างถูกต้องและปลอดภัย ต้องรักษาเครื่องและช่องระบายอากาศให้สะอาดอยู่เสมอ**

ทำความสะอาดที่จับใบเลื่อยเป็นประจำ สำหรับการทำความสะอาด ให้ถอดใบเลื่อยออกจากตัวเครื่อง และจับเครื่องเคาะบนพื้นราบเบาๆ

หากเครื่องมือไฟฟ้าสกปรกมาก เครื่องอาจทำงานผิดปกติได้ ดังนั้นอย่าเลื่อยวัสดุที่ไ้ฝุ่นมากจากทางด้านล่างหรือเหนือศีรษะ

หากช่องทางออกฝุ่นเกิดอุดตัน ให้ปิดสวิตช์เครื่องมือไฟฟ้า ถอดอุปกรณ์ดูดฝุ่น และนำฝุ่นและเศษวัสดุออกไป หล่อลื่นหัวจับใบเลื่อย (12) เป็นครั้งคราวโดยการหยอดน้ำมัน

ตรวจสอบหัวจับใบเลื่อย (12) เป็นประจำ หากสึกหรอ ต้องส่งไปยังศูนย์บริการหลังการขาย **Bosch** ที่ได้รับมอบหมายเพื่อทำการเปลี่ยนให้

การบริการหลังการขายและการให้คำปรึกษาการใช้งาน

ศูนย์บริการหลังการขายของเรายินดีตอบคำถามของท่านที่เกี่ยวกับการบำรุงรักษาและการซ่อมแซมผลิตภัณฑ์รวมทั้งเรื่องอะไหล่ ภาพเขียนแบบการประกอบและข้อมูลเกี่ยวกับอะไหล่ กรุณาดูใน: www.bosch-pt.com ที่मानที่ปรึกษาของ บอช ยินดีให้ข้อมูลเกี่ยวกับผลิตภัณฑ์ของเราและอุปกรณ์ประกอบต่างๆ

เมื่อต้องการสอบถามและสั่งซื้ออะไหล่ กรุณาแจ้งหมายเลขสินค้า 10 หลักบนแผ่นป้ายรุ่นของผลิตภัณฑ์ทุกครั้ง

ไทย

ไทย บริษัท โรเบิร์ต บอช จำกัด
 เอฟวายไอ เซ็นเตอร์ อาคาร 1 ชั้น 5
 เลขที่ 2525 ถนนพระราม 4
 แขวงคลองเตย เขตคลองเตย กรุงเทพฯ 10110
 โทร: +66 2012 8888
 แฟกซ์: +66 2064 5800
 www.bosch.co.th
 ศูนย์บริการซ่อมและฝึกอบรม บอช
 อาคาร ลาซาลทาวเวอร์ ชั้น G ห้องเลขที่ 2
 บ้านเลขที่ 10/11 หมู่ 16
 ถนนศรีนครินทร์ ตำบลบางแก้ว อำเภอบางพลี
 จังหวัดสมุทรปราการ 10540
 ประเทศไทย
 โทรศัพท์ 02 7587555
 โทรสาร 02 7587525

สามารถดูที่อยู่ศูนย์บริการอื่นๆ ได้ที่:

www.bosch-pt.com/serviceaddresses

การขนส่ง

แบตเตอรี่ลิเธียมไอออนที่แนะนำให้ใช้ อยู่ภายใต้
 ใต้ออกกำหนดแห่งกฎหมายสินค้าอันตราย ผู้
 ใช้งานสามารถขนส่งแบตเตอรี่แพ็คโดย
 ทางถนนโดยไม่มีข้อบังคับอื่นหากขนส่งโดยบุคคลที่สาม
 (เช่น : การขนส่งทางอากาศ หรือตัวแทนขนส่งสินค้า)
 ต้องปฏิบัติตามข้อกำหนดพิเศษเกี่ยวกับการบรรจุ
 ภัณฑ์และการติดฉลาก สำหรับการเตรียมสิ่งของที่จะจัดส่ง
 จำเป็นต้องปรึกษาผู้เชี่ยวชาญด้านวัตถุอันตราย
 ส่งแบตเตอรี่แพ็คเมื่อตัวหุ้มไม่ชำรุดเสียหายเท่านั้น ใ้แถบ
 กาวพันปิดหน้าสัมผัสที่เปิดอยู่ และนำแบตเตอรี่แพ็ค
 ใส่กล่องบรรจุโดยไม่ให้เคลื่อนไปมาในกล่องใด นอกจากนี้
 นี้กรุณาปฏิบัติตามกฎระเบียบของประเทศซึ่งอาจมีราย
 ละเอียดเพิ่มเติม

การกำจัดขยะ

เครื่องมือไฟฟ้า แบตเตอรี่แพ็ค อุปกรณ์ประกอบ
 และหีบห่อ ต้องนำ

ไปแยกประเภทวัสดุเพื่อนำกลับมาใช้
 ใหม่โดยไม่ทำลายสภาพแวดล้อม



อย่าทิ้งเครื่องมือไฟฟ้าและแบตเตอรี่แพ็ค/
 แบตเตอรี่ที่นำกลับมาใช้ใหม่ได้ ลงในขยะ
 บ้าน!

แบตเตอรี่แพ็ค/แบตเตอรี่:**ลิเธียม ไอออน:**

กรุณาปฏิบัติตามคำแนะนำในบทความขนส่ง (ดู "การขนส่ง",
 หน้า 45)

Bahasa Indonesia**Petunjuk Keselamatan****Petunjuk keselamatan umum untuk perkakas listrik****⚠ PERINGATAN Baca semua peringatan, petunjuk, ilustrasi, dan spesifikasi**

keselamatan yang diberikan bersama perkakas listrik ini. Kesalahan dalam menjalankan petunjuk di bawah ini dapat mengakibatkan sengatan listrik, kebakaran, dan/atau cedera serius.

Simpanlah semua peringatan dan petunjuk untuk penggunaan di masa mendatang.

Istilah "perkakas listrik" dalam peringatan mengacu pada perkakas listrik yang dioperasikan dengan listrik (menggunakan kabel) atau perkakas listrik yang dioperasikan dengan baterai (tanpa kabel).

Keamanan tempat kerja

- ▶ **Jaga kebersihan dan pencahayaan area kerja.** Area yang berantakan atau gelap dapat memicu kecelakaan.
- ▶ **Jangan mengoperasikan perkakas listrik di lingkungan yang dapat memicu ledakan, seperti adanya cairan, gas, atau debu yang mudah terbakar.** Perkakas listrik dapat memancarkan bunga api yang kemudian mengakibatkan debu atau uap terbakar.
- ▶ **Jauhkan dari jangkauan anak-anak dan pengamat saat mengoperasikan perkakas listrik.** Gangguan dapat menyebabkan hilangnya kendali.

Keamanan listrik

- ▶ **Steker perkakas listrik harus sesuai dengan stopkontak. Jangan pernah memodifikasi steker. Jangan menggunakan steker adaptor bersama dengan perkakas listrik yang terhubung dengan sistem grounding.** Steker yang tidak dimodifikasi dan stopkontak yang cocok akan mengurangi risiko sengatan listrik.
- ▶ **Hindari kontak badan dengan permukaan yang terhubung dengan sistem grounding, seperti pipa, radiator, kompor, dan lemari es.** Terdapat peningkatan risiko terjadinya sengatan listrik jika badan Anda terhubung dengan sistem grounding.
- ▶ **Perkakas listrik tidak boleh terpapar hujan atau basah.** Air yang masuk ke dalam perkakas listrik menambah risiko terjadinya sengatan listrik.
- ▶ **Jangan menyalahgunakan kabel. Jangan gunakan kabel untuk membawa, menarik, atau melepas steker perkakas listrik. Jauhkan kabel dari panas, minyak, tepi yang tajam, atau komponen yang bergerak.** Kabel listrik yang rusak atau tersangkut menambah risiko terjadinya sengatan listrik.
- ▶ **Saat mengoperasikan perkakas listrik di luar ruangan, gunakan kabel ekstensi yang sesuai untuk penggunaan di luar ruangan.** Penggunaan kabel yang

cocok untuk pemakaian di luar ruangan mengurangi risiko terjadinya sengatan listrik.

- ▶ **Jika perkakas listrik memang harus dioperasikan di tempat yang lembap, gunakan pemutus arus listrik residu (RCD).** Penggunaan RCD akan mengurangi risiko terjadinya sengatan listrik.

Keselamatan personel

- ▶ **Tetap waspada, perhatikan aktivitas yang sedang dikerjakan dan gunakan akal sehat saat mengoperasikan perkakas listrik. Jangan gunakan perkakas listrik saat mengalami kelelahan atau di bawah pengaruh narkoba, alkohol, atau obat-obatan.** Jika perkakas listrik dioperasikan dengan daya konsentrasi yang rendah, hal tersebut dapat menyebabkan cedera serius.
- ▶ **Gunakan peralatan pelindung diri. Selalu kenakan pelindung mata.** Penggunaan perlengkapan pelindung seperti penutup telinga, helm, sepatu anti licin, dan masker debu akan mengurangi cedera.
- ▶ **Hindari start yang tidak disengaja. Pastikan switch berada di posisi off sebelum perkakas listrik dihubungkan ke sumber daya listrik dan/atau baterai, diangkat, atau dibawa.** Membawa perkakas listrik dengan jari menempel pada tombol atau perkakas listrik dalam keadaan hidup dapat memicu kecelakaan.
- ▶ **Singkirkan kunci penyetal atau kunci pas sebelum menghidupkan perkakas listrik.** Perkakas atau kunci pas yang masih menempel pada komponen perkakas listrik yang berputar dapat menyebabkan cedera.
- ▶ **Jangan melampaui batas. Berdirilah secara mantap dan selalu jaga keseimbangan.** Hal ini akan memberikan kontrol yang lebih baik terhadap perkakas listrik pada situasi yang tak terduga.
- ▶ **Kenakan pakaian dengan wajar. Jangan mengenakan perhiasan atau pakaian yang longgar. Jauhkan rambut dan pakaian dari komponen yang bergerak.** Pakaian yang longgar, rambut panjang, atau perhiasan dapat tersangkut dalam komponen yang bergerak.
- ▶ **Jika disediakan perangkat untuk sambungan pengisapan debu dan alat pengumpulan, pastikan perangkat tersebut terhubung dan digunakan dengan benar.** Penggunaan alat pengumpulan dapat mengurangi bahaya yang disebabkan oleh debu.
- ▶ **Jangan berpuas diri dan mengabaikan prinsip keselamatan karena terbiasa mengoperasikan perkakas.** Tindakan yang kurang hati-hati dapat mengakibatkan cedera serius dalam waktu sepersekian detik.

Penggunaan dan pemeliharaan perkakas listrik

- ▶ **Jangan memaksakan perkakas listrik. Gunakan perkakas listrik yang sesuai untuk pekerjaan yang dilakukan.** Perkakas listrik yang sesuai akan bekerja dengan lebih baik dan aman sesuai tujuan penggunaan.
- ▶ **Jangan gunakan perkakas listrik dengan switch yang tidak dapat dioperasikan.** Perkakas listrik yang

switchnya yang tidak berfungsi dapat menimbulkan bahaya dan harus diperbaiki.

- ▶ **Lepaskan steker dari sumber listrik dan/atau lepas baterai, jika dapat dilepaskan dari perkakas listrik sebelum menyetal, mengganti aksesoris, atau menyimpan perkakas listrik.** Tindakan preventif akan mengurangi risiko menghidupkan perkakas listrik secara tidak disengaja.
- ▶ **Jauhkan dan simpan perkakas listrik dari jangkauan anak-anak dan jangan biarkan orang-orang yang tidak mengetahui cara menggunakan perkakas listrik, mengoperasikan perkakas listrik.** Perkakas listrik dapat membahayakan jika digunakan oleh orang-orang yang tidak terlatih.
- ▶ **Lakukan pemeliharaan perkakas listrik dan aksesoris. Periksa komponen yang bergerak apabila tidak lurus atau terikat, kerusakan komponen, dan kondisi lain yang dapat mengganggu pengoperasian perkakas listrik. Apabila rusak, perbaiki perkakas listrik sebelum digunakan.** Kecelakaan sering terjadi karena perkakas listrik tidak dirawat dengan baik.
- ▶ **Jaga ketajaman dan kebersihan alat.** Alat pemotong dengan pisau pemotong yang tajam dan dirawat dengan baik tidak akan mudah tersangkut dan lebih mudah dikendalikan.
- ▶ **Gunakan perkakas listrik, aksesoris, dan komponen perkakas dll sesuai dengan petunjuk ini, dengan mempertimbangkan kondisi kerja dan pekerjaan yang akan dilakukan.** Penggunaan perkakas listrik untuk tujuan berbeda dari fungsinya dapat menyebabkan situasi yang berbahaya.
- ▶ **Jaga gagang dan permukaan genggam agar tetap kering, bersih, dan bebas dari minyak dan lemak.** Gagang dan permukaan genggam yang licin tidak menjamin keamanan kerja dan kontrol alat yang baik pada situasi yang tidak terduga.

Penggunaan dan pemeliharaan perkakas baterai

- ▶ **Isi ulang daya hanya dengan pengisi daya yang ditentukan oleh produsen.** Pengisi daya yang sesuai untuk satu jenis set baterai dapat menyebabkan risiko kebakaran apabila digunakan dengan set baterai lain.
- ▶ **Hanya gunakan perkakas listrik dengan set baterai yang dirancang khusus.** Penggunaan set baterai lain dapat menyebabkan risiko cedera dan kebakaran.
- ▶ **Apabila set baterai tidak digunakan, jauhkan dari benda logam lainnya, seperti klip kertas, koin, kunci, paku, sekrup, atau benda logam kecil lainnya yang dapat membuat sambungan dari satu terminal ke terminal lainnya.** Memendekkan terminal baterai dapat menyebabkan kebakaran atau api.
- ▶ **Cairan dapat keluar dari baterai jika baterai tidak digunakan dengan benar; hindari kontak. Jika terjadi kontak secara tidak disengaja, bilas dengan air. Jika cairan mengenai mata, segera hubungi bantuan medis.** Cairan yang keluar dari baterai dapat menyebabkan iritasi atau luka bakar.

- ▶ **Jangan gunakan set baterai atau perkakas yang rusak atau telah dimodifikasi.** Baterai yang rusak atau telah dimodifikasi dapat menimbulkan kejadian yang tak terduga seperti kebakaran, ledakan, atau risiko cedera.
 - ▶ **Jangan meletakkan set baterai atau perkakas di dekat api atau suhu tinggi.** Paparan terhadap api atau suhu di atas 130 °C dapat memicu ledakan.
 - ▶ **Ikuti semua petunjuk pengisian daya dan jangan mengisi daya set baterai atau perkakas di luar rentang suhu yang ditentukan dalam petunjuk.** Pengisian daya yang tidak tepat atau di luar rentang suhu yang ditentukan dapat merusak baterai dan meningkatkan risiko kebakaran.
- Servis**
- ▶ **Minta teknisi berkualifikasi untuk menyervis perkakas listrik dengan hanya menggunakan suku cadang yang identik.** Dengan demikian, hal ini akan memastikan keamanan perkakas listrik.
 - ▶ **Jangan pernah melakukan servis pada baterai yang telah rusak.** Servis baterai hanya boleh dilakukan oleh produsen atau penyedia servis resmi.

Petunjuk Keselamatan untuk Mesin Jigsaw

- ▶ **Pegang perkakas listrik pada permukaan gagang isolator saat digunakan karena aksesoris pemotong dapat saja bersentuhan dengan kabel yang tidak terlihat.** Aksesoris pemotong yang bersentuhan dengan kabel yang dialiri listrik dapat menyebabkan bagian logam perkakas listrik yang terbuka dialiri listrik sehingga berisiko mengakibatkan sengatan listrik pada operator.
- ▶ **Gunakan penjepit atau cara lain yang praktis untuk mengamankan dan menopang benda kerja pada permukaan yang stabil.** Benda kerja dapat goyah atau kehilangan kendali jika dipegang dengan tangan atau ditahan dengan tubuh Anda.
- ▶ **Jauhkan tangan Anda dari area penggergajian. Jangan menjangkau ke bawah benda kerja.** Bersentuhan dengan mata gergaji dapat mengakibatkan cedera.
- ▶ **Hidupkan terlebih dahulu perkakas listrik, kemudian perkakas listrik didekatkan pada benda kerja.** Jika tidak, terdapat bahaya sentakan jika alat kerja tersangkut dalam benda yang dikerjakan.
- ▶ **Pastikan pelat kaki terletak dengan aman selama penggergajian.** Mata gergaji yang tersangkut dapat patah atau mengakibatkan terjadinya sentakan.
- ▶ **Matikan perkakas listrik setelah pekerjaan menggergaji selesai dan tunggu hingga mata gergaji berhenti bergerak, kemudian keluarkan mata gergaji dari jalur pemotongan.** Dengan demikian, sentakan dapat dihindari dan perkakas listrik dapat diletakkan dengan aman.
- ▶ **Sebelum meletakkan perkakas listrik, tunggulah hingga perkakas berhenti berputar.** Alat kerja dapat tersangkut dan menyebabkan perkakas listrik tidak dapat dikendalikan.

- ▶ **Gunakanlah hanya mata gergaji yang tidak rusak dan mulus.** Mata gergaji yang melengkung atau tidak tajam dapat patah, membuat potongan tidak bagus, atau mengakibatkan sentakan.
- ▶ **Setelah perkakas listrik dimatikan, jangan melakukan pengereman dengan cara menekan mata gergaji pada sisinya.** Hal tersebut dapat mengakibatkan mata gergaji menjadi rusak, patah, atau mengakibatkan sentakan.
- ▶ **Hanya gunakan perkakas listrik dengan pelat dasar.** Saat bekerja tanpa pelat dasar, terdapat risiko perkakas listrik tidak dapat dikontrol.
- ▶ **Gunakanlah alat detektor logam yang cocok untuk mencari kabel dan pipa yang tidak terlihat atau hubungi perusahaan pengadaan setempat.** Sentuhan dengan kabel-kabel listrik dapat mengakibatkan api dan kontak listrik. Pipa gas yang dirusak dapat mengakibatkan ledakan. Pipa air yang dirusak mengakibatkan barang-barang menjadi rusak.
- ▶ **Asap dapat keluar apabila terjadi kerusakan atau penggunaan yang tidak tepat pada baterai. Baterai dapat terbakar atau meledak.** Biarkan udara segar mengalir masuk dan kunjungi dokter apabila mengalami gangguan kesehatan. Asap tersebut dapat mengganggu saluran pernafasan.
- ▶ **Jangan membuka baterai.** Ada bahaya terjadinya korsleting.
- ▶ **Baterai dapat rusak akibat benda-benda lancip, seperti jarum, obeng, atau tekanan keras dari luar.** Hal ini dapat menyebabkan terjading hubungan singkat internal dan baterai dapat terbakar, berasap, meledak, atau mengalami panas berlebih.
- ▶ **Hanya gunakan baterai pada produk dari produsen.** Hanya dengan cara ini, baterai dapat terlindung dari kelebihan muatan.



Lindungi baterai dari panas, misalnya juga dari paparan sinar matahari dalam waktu yang lama, api, kotoran, air dan kelembapan. Terdapat risiko ledakan dan korsleting.

Spesifikasi produk dan performa



Bacalah semua petunjuk keselamatan dan petunjuk penggunaan. Kesalahan dalam menjalankan petunjuk keselamatan dan petunjuk penggunaan dapat mengakibatkan kontak listrik, kebakaran, dan/atau luka-luka yang berat.

Perhatikan ilustrasi yang terdapat pada sisi sampul panduan pengoperasian.

Tujuan penggunaan

Perkakas listrik ini cocok untuk membelah dan memotong kayu, bahan sintesis, logam, pelat keramik, karet dan laminasi/HPL (High Pressure Laminate) pada permukaan yang kokoh. Perkakas ini cocok untuk memotong lurus dan

melengkung dengan sudut potong hingga 45°. Perhatikan petunjuk untuk penggunaan mata gergaji.

Ilustrasi komponen

Penomoran ilustrasi komponen mengacu pada gambar perkakas listrik pada halaman grafis.

- (1) Selektor putar untuk pemilihan awal kecepatan pemotongan
- (2) Kunci pengaman untuk tombol on/off
- (3) Tombol on/off
- (4) Kunci L
- (5) Tombol pelepas baterai^{a)}
- (6) Baterai^{a)}
- (7) Handel (permukaan genggam berisolator)
- (8) Tuas pengatur osilasi
- (9) Pelat dasar
- (10) Mata gergaji^{a)}
- (11) Pelindung dari sentuhan tangan atau jari
- (12) Rol pemandu
- (13) Dudukan mata gergaji
- (14) Lampu kerja
- (15) Pelindung serpihan
- (16) Kap pelindung debu untuk pengisian^{a)}
- (17) Nozel pengisap^{a)}
- (18) Slang pengisap^{a)}
- (19) Sekrup pelat dasar
- (20) Skala sudut mitre
- (21) Pemandu untuk mistar sejajar
- (22) Baut pengunci mistar sejajar^{a)}
- (23) Mistar sejajar dengan pemotong bundar^{a)}
- (24) Titik pusat pemotong bundar^{a)}

a) **Aksesori yang digambarkan atau yang dijelaskan tidak termasuk dalam lingkup pengiriman standar. Semua aksesori yang ada dapat ditemukan dalam program aksesori kami.**

Data teknis

Mesin jigsaw berdaya baterai	GST 183-LI	
Nomor barang		3 601 EB7 0..
Tegangan nominal	V=	18
Kecepatan pemotongan tanpa beban $n_0^A)$	min ⁻¹	0–3300
Pemotongan	mm	20
Kedalaman pemotongan maks.		
– pada kayu	mm	95
– pada aluminium	mm	15
– pada baja (non-alloy)	mm	8
Sudut pemotongan (kiri/kanan) maks.	°	45

Mesin jigsaw berdaya baterai	GST 183-LI	
Berat sesuai dengan EPTA-Procedure 01:2014	kg	2,0–3,0 ^{B)}
Suhu sekitar yang direkomendasikan saat pengisian daya	°C	0 ... +35
Suhu sekitar yang diizinkan saat pengoperasian ^{C)} dan saat penyimpanan	°C	–20 ... +50
Baterai yang kompatibel		GBA 18V... ProCORE18V...
Baterai yang direkomendasikan		GBA 18V... ≥ 4,0 Ah ProCORE18V... ≥ 4,0 Ah
Rekomendasi pengisi daya		GAL 18... GAX 18... GAL 36...

A) Diukur pada suhu 20–25 °C dengan baterai **GBA 18V 4.0Ah**.

B) tergantung pada baterai yang digunakan

C) daya terbatas pada suhu < 0 °C

Nilai dapat berbeda-beda bergantung pada produk dan mungkin tunduk pada kondisi lingkungan serta penggunaan. Informasi lebih lanjut pada www.bosch-professional.com/wac.

Baterai

Bosch menjual perkakas listrik berdaya baterai bahkan tanpa baterai yang disertakan. Keterangan apakah lingkup pengiriman perkakas listrik termasuk dengan baterai dapat ditemukan di kemasan.

Mengisi daya baterai

► **Hanya gunakan pengisi daya yang tercantum pada data teknis.** Hanya pengisi daya ini yang sesuai dengan baterai li-ion yang digunakan pada perkakas listrik Anda.

Catatan: Baterai lithium-ion dikirim dalam keadaan terisi daya sebagian berdasarkan peraturan transportasi internasional. Untuk menjamin daya penuh dari baterai, isi daya baterai hingga penuh sebelum menggunakannya untuk pertama kali.

Memasang baterai

Masukkan baterai yang telah terisi daya ke dalam dudukan baterai hingga baterai terkunci.



Melepas baterai

Untuk melepas baterai, tekan tombol pelepas baterai dan keluarkan baterai. **Jangan melepas baterai dengan paksa.** Baterai memiliki 2 level penguncian untuk mencegah baterai terlepas saat tombol pelepas baterai ditekan secara tidak sengaja. Selama baterai terpasang di dalam perkakas listrik, baterai ditahan posisinya menggunakan pegas.

Indikator level pengisian daya baterai

Catatan: Tidak semua jenis baterai memiliki indikator level pengisian daya.

LED berwarna hijau dari indikator level pengisian daya baterai menampilkan level pengisian daya baterai. Atas dasar keselamatan, permintaan level pengisian daya baterai hanya dapat dilakukan saat perkakas listrik dalam keadaan berhenti.

Tekan tombol indikator level pengisian daya baterai  atau  untuk menampilkan level pengisian baterai. Hal ini juga dapat dilakukan saat baterai dilepas.

Apabila LED tidak menyala setelah menekan tombol indikator level pengisian daya, terdapat kerusakan pada baterai dan baterai harus diganti.

Tipe baterai GBA 18V...



LED	Kapasitas
Lampu permanen hijau 3×	60–100%
Lampu permanen hijau 2×	30–60%
Lampu permanen hijau 1×	5–30%
Lampu berkedip hijau 1×	0–5%

Tipe baterai ProCORE18V...



LED	Kapasitas
Lampu permanen hijau 5×	80–100%
Lampu permanen hijau 4×	60–80%
Lampu permanen hijau 3×	40–60%
Lampu permanen hijau 2×	20–40%
Lampu permanen hijau 1×	5–20%
Lampu berkedip hijau 1×	0–5%

Petunjuk untuk penanganan baterai yang optimal

Lindungilah baterai dari kelembapan dan air.

Simpan baterai hanya pada rentang suhu antara –20 °C hingga 50 °C. Janganlah meletakkan baterai di dalam mobil, misalnya pada musim panas.

Bersihkan lubang ventilasi baterai dengan kuas yang lunak, bersih dan kering secara berkala.

Waktu pengoperasian yang berkurang secara signifikan setelah pengisian daya menunjukkan bahwa baterai telah habis dan perlu diganti.

Perhatikan petunjuk untuk membuang.

Cara memasang

- ▶ **Sebelum melakukan semua pekerjaan pada perkakas listrik (misalnya merawat, mengganti alat kerja, dsb.)**

serta selama transpor dan penyimpanan, keluarkanlah baterai dari perkakas listrik. Terdapat risiko cedera apabila tombol untuk menghidupkan dan mematikan dioperasikan tanpa sengaja.

Memasang/mengganti pisau gergaji

- ▶ **Pakailah sarung tangan pelindung saat memasang atau mengganti alat sisipan.** Alat sisipan sangat tajam dan dapat memanas jika digunakan dalam waktu yang lama.

Memilih pisau gergaji

Lihat ikhtisar pisau gergaji yang disarankan di akhir petunjuk ini. Hanya pasang pisau gergaji dengan pisau gergaji (berbentuk T). Pisau gergaji sebaiknya tidak lebih panjang daripada yang diperlukan untuk pemotongan yang hendak dikerjakan.

Untuk menggergaji lekukan, gunakanlah pisau gergaji yang tidak lebar.

Memasang mata gergaji (lihat gambar A)

- ▶ **Bersihkan batang mata gergaji sebelum dipasang.**

Batang yang kotor tidak dapat dipasang dengan aman.

Geser mata gergaji (10) dengan gerigi menghadap ke arah pemotongan hingga terkunci pada dudukan mata gergaji (13).

Pastikan saat memasang mata gergaji, punggung mata gergaji terletak pada alur rol pemandu (12).

- ▶ **Pastikan pisau gergaji terpasang kencang.** Pisau gergaji yang tidak kencang dapat terlepas dan mencederai Anda.

Melepaskan mata gergaji (lihat gambar B)

Dorong dudukan mata gergaji (13) ke atas sesuai arah panah lalu lepaskan mata gergaji (10).

Pelindung serpihan (lihat gambar C)

Pelindung serpihan (15) dapat melindungi permukaan agar tidak terkikis saat menggergaji kayu. Pelindung serpihan hanya dapat digunakan dengan jenis mata gergaji tertentu dan hanya dengan sudut pemotongan 0°.

Tekan pelindung serpihan (15) dari bawah ke dalam pelat dasar (9).

Pengisapan debu/serbuk

Debu dari bahan-bahan seperti cat yang mengandung timbal, beberapa jenis kayu, bahan mineral dan logam dapat berbahaya bagi kesehatan. Menyentuh atau menghirup debu tersebut dapat mengakibatkan reaksi alergi dan/atau penyakit saluran pernapasan bagi pengguna atau orang yang berada di dekatnya.

Beberapa debu tertentu seperti misalnya debu kayu pohon ek atau pohon fagus silvatica dianggap dapat mengakibatkan penyakit kanker, terutama dalam campuran dengan bahan-bahan tambahan untuk pengolahan kayu (kromat, obat pengawet kayu). Bahan-bahan yang mengandung asbestos hanya boleh dikerjakan oleh orang-orang yang ahli.

- Gunakanlah hanya pengisap debu yang cocok untuk mengisap bahan yang dikerjakan.
- Pastikan terdapat ventilasi udara yang baik di tempat kerja.
- Dianjurkan untuk memakai masker anti debu dengan filter kelas P2.

Taatilah peraturan-peraturan untuk bahan-bahan yang dikerjakan yang berlaku di negara Anda.

► **Hindari debu yang banyak terkumpul di tempat kerja.**

Debu dapat tersulut dengan mudah.

Kap pelindung debu (lihat gambar D)

Pasang kap pelindung debu **(16)** sebelum perkakas listrik disambungkan pada pengisapan debu.

Pasang kap pelindung debu **(16)** pada perkakas listrik sehingga penopang terkunci pada pelindung dari sentuhan tangan atau jari **(11)**.

Lepaskan kap pelindung debu **(16)** untuk pengoperasian tanpa pengisapan debu serta untuk pemotongan sudut (mitre). Tarik kap pelindung debu dari pelindung sentuhan tangan atau jari **(11)** ke depan.

Menyambungkan pengisapan debu (lihat gambar E-F)

Pasang sambungan pengisapan **(17)** pada celah pelat dasar **(9)**.

Pastikan bahwa pin pada sambungan pengisapan terkunci di dalam celah pelat dasar **(9)** yang sesuai seperti yang ditunjukkan pada gambar **E**.

Pasang slang pengisap **(18)** (aksesori) pada sambungan pengisapan **(17)**. Hubungkan slang pengisap **(18)** dengan pengisap debu (aksesori).

Ikhtisar mengenai sambungan pada pengisap debu yang berbeda dapat ditemukan pada bagian akhir panduan ini.

Jika memungkinkan, gunakan pelindung serpihan **(15)** untuk pengisapan yang optimal.

Mesin pengisap debu harus sesuai dengan material yang dikerjakan.

Gunakan mesin pengisap khusus saat melakukan pengisapan debu yang kering dan dapat membahayakan kesehatan serta memicu kanker.

Penggunaan

Mode pengoperasian

- **Sebelum melakukan semua pekerjaan pada perkakas listrik (misalnya merawat, mengganti alat kerja, dsb.) serta selama transpor dan penyimpanan, keluarkanlah baterai dari perkakas listrik.** Terdapat risiko cedera apabila tombol untuk menghidupkan dan mematikan dioperasikan tanpa sengaja.

Menyetel osilasi

Osilasi yang bisa diatur dalam empat tingkatan memungkinkan penyesuaian kecepatan pemotongan, daya pemotongan dan hasil pemotongan yang optimal pada material kerja.

Dengan tuas pengatur **(8)** osilasi dapat diatur selama pengoperasian.

Level 0	tanpa osilasi
Level I	osilasi kecil
Level II	osilasi menengah
Level III	osilasi besar

Tingkat osilasi yang optimal untuk tiap penggunaan dapat ditentukan dengan uji coba. Rekomendasi berikut dapat diterapkan:

- Pilih tingkat osilasi yang lebih kecil atau matikan osilasi sepenuhnya sehingga tepi pemotongan menjadi lebih halus dan lebih bersih.
- Matikan osilasi saat bekerja dengan material yang pipih (misalnya pelat logam).
- Gunakan osilasi kecil saat bekerja dengan material yang keras (misalnya baja).
- Osilasi maksimal dapat digunakan saat bekerja dengan material yang lunak dan saat menggergaji kayu.

Mengatur sudut mitre (lihat gambar G)


Pelat dasar **(9)** dapat diputar ke kanan atau kiri untuk pemotongan miring hingga 45°.

Kap pelindung debu **(16)** dan pelindung serpihan **(15)** tidak dapat digunakan untuk pemotongan sudut mitre.

- Tekan sambungan pengisapan **(17)** sedikit ke atas lalu tarik dari pelat dasar **(9)**.
- Lepaskan kap pelindung debu **(16)** dan pelindung serpihan **(15)**.
- Lepaskan sekrup **(19)** dengan kunci L **(4)** dan geser sedikit pelat dasar **(9)** ke arah mata gergaji **(10)**.
- Pelat dasar memiliki titik penguncian kanan dan kiri pada sudut 0° dan 45° untuk mengatur sudut mitre yang tepat. Gerakkan pelat dasar **(9)** ke posisi yang diinginkan sesuai skala **(20)**. Sudut mitre lainnya dapat diatur menggunakan mistar sudut.
- Kemudian geser pelat dasar **(9)** ke arah baterai hingga maksimal.
- Kencangkan kembali sekrup **(19)**.


Cara penggunaan

Menghidupkan/mematikan

Untuk **menghidupkan** perkakas listrik, pertama-tama tekan kunci pengaman **(2)** di samping simbol . Dengan begitu, kunci pengaman dinonaktifkan. Kemudian, tekan dan tahan tombol on/off **(3)**.

Lampu kerja akan menyala saat tombol on/off **(3)** ditekan singkat atau ditekan sepenuhnya dan membantu menerangi area kerja saat kondisi cahaya tidak menguntungkan.

- **Jangan melihat lampu kerja secara langsung karena dapat menyilaukan mata.**

Untuk **mematikan** perkakas listrik, lepaskan tombol on/off **(3)**. Aktifkan kunci pengaman **(2)** dengan menekan kunci pengaman di samping simbol .

Mengontrol/melakukan penyetelan awal pada kecepatan pemotongan

Jumlah langkah perkakas listrik yang dihidupkan dapat disetel terus-menerus tergantung seberapa kuat tombol on/off (3) ditekan.

Jika tombol on/off (3) ditekan ringan, jumlah langkah menjadi rendah. Jika tekanan ditambah, jumlah langkah akan meningkat.

Dengan roda pemilih kecepatan (1), jumlah langkah dapat disetel sebelumnya dan diubah selama pengoperasian.

Jumlah langkah yang diperlukan tergantung pada material kerja dan kondisi kerja serta dapat ditentukan dengan uji coba.

Disarankan untuk mengurangi jumlah langkah saat menggunakan pisau gergaji pada benda kerja serta saat memotong bahan sintetik dan aluminium.

Jika digunakan untuk waktu yang lama dengan jumlah langkah yang rendah, perkakas listrik dapat menjadi sangat panas. Lepaskan pisau gergaji dan biarkan perkakas listrik beroperasi dengan jumlah langkah maksimal selama kira-kira 3 menit untuk didinginkan.

Pelindung beban berlebih yang bergantung suhu

Pada penggunaan yang normal, perkakas listrik tidak akan mengalami kelebihan beban. Pada saat mengalami beban berlebih atau suhu baterai melebihi batas yang diizinkan, kurangi putaran atau matikan perkakas listrik. Ketika kecepatan berkurang, perkakas listrik tidak akan beroperasi dengan kecepatan penuh hingga suhu baterai yang diizinkan telah tercapai atau ketika beban berkurang. Anda dapat mematikan perkakas listrik untuk mendinginkan baterai dan menyalakan kembali perkakas listrik dengan penonaktifan daya otomatis.

Petunjuk pengoperasian

- ▶ **Sebelum melakukan semua pekerjaan pada perkakas listrik (misalnya merawat, mengganti alat kerja, dsb.) serta selama transpor dan penyimpanan, keluarkanlah baterai dari perkakas listrik.** Terdapat risiko cedera apabila tombol untuk menghidupkan dan mematikan dioperasikan tanpa sengaja.
- ▶ **Segera matikan perkakas listrik jika pisau gergaji terhenti.**
- ▶ **Selalu gunakan permukaan yang stabil saat pengerjaan pada material yang kecil atau tipis.**

Sebelum melakukan pemotongan, periksa benda kerja dari benda asing seperti paku, baut atau sejenisnya pada kayu, papan partikel, material bangunan dan lainnya serta singkirkan benda asing tersebut.

Mesin jigsaw ini utamanya dirancang untuk membuat potongan melengkung. Selain itu, rangkaian produk dari **Bosch** juga menyediakan aksesoris yang dapat digunakan untuk membuat potongan lurus atau potongan melingkar (tergantung model mesin jigsaw, misalnya mistar sejajar, rel pemandu, atau pemotong melingkar).

Mesin jigsaw genggam ini biasanya cenderung "keluar dari jalur pemotongannya", artinya, kemungkinan tidak ada

akurasi sudut dan pemotongannya. Faktor utama yang memengaruhi akurasi tersebut yaitu ketebalan mata gergaji, panjang potongan, serta ketebalan dan kepadatan material benda kerja.

Oleh karena itu, selalu pastikan hasil pemotongan sistem yang dipilih telah sesuai dengan ketentuan aplikasi Anda melalui pemotongan uji coba.

Pemotongan dalam (lihat gambar H)

- ▶ **Hanya bahan lunak seperti kayu, gipsam atau sejenisnya yang boleh digunakan pada proses penggergajian!**

Untuk pemotongan dalam, hanya gunakan pisau gergaji yang pendek. Pemotongan dalam hanya dapat dilakukan dengan sudut potong sebesar 0°.

Letakkan perkakas listrik dengan tepi depan pelat dasar (9) pada benda kerja tanpa menyentuhkan pisau gergaji (10) pada benda kerja tersebut dan hidupkan perkakas listrik.

Pada perkakas listrik dengan kontrol kecepatan, pilih jumlah langkah maksimal. Tekan kuat perkakas listrik pada benda kerja dan biarkan pisau gergaji masuk perlahan.

Begitu pelat dasar (9) terletak sepenuhnya pada benda kerja, potong benda kerja sepanjang garis yang diinginkan.

Mistar sejajar dengan pemotong bundar (aksesori)

Untuk bekerja dengan mistar sejajar dengan pemotong bundar (23), ketebalan benda kerja tidak boleh melebihi 30 mm.

Pemotongan sejajar (lihat gambar I): Kendurkan baut pengunci (22) dan geser skala mistar sejajar melalui pemandu (21) pada pelat dasar. Atur lebar potongan sebagai nilai skala pada bagian dalam pelat dasar. Kencangkan baut pengunci (22).

Pemotongan bundar (lihat gambar J): Buat lubang pada garis pemotongan di dalam lingkaran yang akan dipotong yang cukup untuk memasukkan pisau gergaji. Buat lubang dengan mesin potong atau alat kikir agar pisau gergaji dapat terletak secara merata pada garis potongan.

Pasang baut pengunci (22) ke sisi lain pada mistar sejajar. Geser skala mistar sejajar melalui pemandu (21) pada pelat dasar. Buat lubang pada benda kerja di tengah potongan yang akan digergaji. Masukkan titik pusat (24) melalui lubang bagian dalam mistar sejajar dan lubang yang dibor. Atur jari-jari sebagai nilai skala pada tepi dalam pelat dasar. Kencangkan baut pengunci (22).

Zat pendingin/pelumas

Saat menggergaji logam, gunakan zat pendingin/pelumas di sepanjang garis pemotongan akibat pemanasan pada material.

Perawatan dan servis

Perawatan dan pembersihan

- ▶ **Sebelum melakukan semua pekerjaan pada perkakas listrik (misalnya merawat, mengganti alat kerja, dsb.) serta selama transpor dan penyimpanan, keluarkanlah baterai dari perkakas listrik.** Terdapat risiko cedera

apabila tombol untuk menghidupkan dan mematikan dioperasikan tanpa sengaja.

► **Perkakas listrik dan lubang ventilasi harus selalu dibersihkan agar perkakas dapat digunakan dengan baik dan aman.**

Bersihkan dudukan pisau gergaji secara berkala. Untuk melakukannya, lepas pisau gergaji dari perkakas listrik dan ketukkan perkakas listrik dengan perlahan pada permukaan yang datar.

Perkakas listrik yang sangat kotor dapat tidak berfungsi dengan baik. Oleh karena itu, jangan menggergaji material yang menghasilkan banyak debu dari bawah atau di atas kepala.

Jika saluran keluar debu tersumbat, matikan perkakas listrik, lepaskan pengisap debu dan bersihkan debu dan serbuk.

Oleskan rol pemandu (12) sesekali dengan setetes minyak.

Periksa rol pemandu (12) secara teratur. Jika rol pemandu aus, rol pemandu harus diganti oleh Service Center **Bosch** resmi.

Layanan pelanggan dan konsultasi penggunaan

Layanan pelanggan Bosch menjawab semua pertanyaan Anda tentang reparasi dan perawatan serta tentang suku cadang produk ini. Gambaran teknis (exploded view) dan informasi mengenai suku cadang dapat ditemukan di:

www.bosch-pt.com

Tim konsultasi penggunaan Bosch akan membantu Anda menjawab pertanyaan seputar produk kami beserta aksesori.

Jika Anda hendak menanyakan sesuatu atau memesan suku cadang, selalu sebutkan nomor model yang terdiri dari 10 angka dan tercantum pada label tipe produk.

Indonesia

PT Robert Bosch Indonesia
Arkadia Green Park Tower G – 7th floor
Jl. Let. Jend. TB. Simatupang Kav. 88
Jakarta 12520
Tel.: (021) 3005 5800
Fax: (021) 3005 5801
E-Mail: boschpowertools@id.bosch.com
www.bosch-pt.co.id

Alamat layanan lainnya dapat ditemukan di:

www.bosch-pt.com/serviceaddresses

Transpor

Baterai Li-ion yang direkomendasikan tunduk pada persyaratan terkait peraturan tentang bahan-bahan yang berbahaya. Baterai dapat diangkat di jalan oleh penggunanya tanpa pembatasan lebih lanjut.

Pada pengiriman oleh pihak ketiga (misalnya transportasi udara atau perusahaan ekspedisi) harus ditaati syarat-syarat terkait kemasan dan pemberian tanda. Dalam hal ini, diperlukan konsultasi dengan ahli bahan-bahan berbahaya saat mengatur barang pengiriman.

Kirimkan baterai hanya jika housing-nya tidak rusak. Tutup bagian-bagian yang terbuka dan kemas baterai agar tidak

bergerak-gerak di dalam kemasan. Taatilah peraturan-peraturan nasional lainnya yang mungkin lebih rinci yang berlaku di negara Anda.

Cara membuang



Perkakas listrik, baterai, aksesoris dan kemasan harus didaur ulang dengan cara yang ramah lingkungan.



Jangan membuang perkakas listrik, aki/baterai ke dalam sampah rumah tangga!

Baterai:

Li-ion:

Perhatikanlah petunjuk-petunjuk dalam bab Transpor (lihat „Transpor“, Halaman 52).

Tiếng Việt

Hướng dẫn an toàn

Hướng dẫn an toàn chung cho dụng cụ điện

⚠ CẢNH BÁO **Hãy đọc toàn bộ các cảnh báo an toàn, hướng dẫn, hình ảnh và thông số kỹ thuật được cung cấp cho dụng cụ điện cầm tay này.** Không tuân thủ mọi hướng dẫn được liệt kê dưới đây có thể bị điện giật, gây cháy và /hay bị thương tật nghiêm trọng.

Hãy giữ tất cả tài liệu về cảnh báo và hướng dẫn để tham khảo về sau.

Thuật ngữ "dụng cụ điện cầm tay" trong phần cảnh báo là để cập đến sự sử dụng dụng cụ điện cầm tay của bạn, loại sử dụng điện nguồn (có dây cắm điện) hay vận hành bằng pin (không dây cắm điện).

Khu vực làm việc an toàn

- **Giữ nơi làm việc sạch và đủ ánh sáng.** Nơi làm việc bừa bộn và tối tăm dễ gây ra tai nạn.
- **Không vận hành dụng cụ điện cầm tay trong môi trường dễ gây nổ, chẳng hạn như nơi có chất lỏng dễ cháy, khí đốt hay rác.** Dụng cụ điện cầm tay tạo ra các tia lửa nên có thể làm rác bén cháy hay bốc khói.
- **Không để trẻ em hay người đến xem đứng gần khi vận hành dụng cụ điện cầm tay.** Sự phân tâm có thể gây ra sự mất điều khiển.

An toàn về điện

- **Phích cắm của dụng cụ điện cầm tay phải thích hợp với ổ cắm.** Không bao giờ được cải biến lại phích cắm dưới mọi hình thức.

- Không được sử dụng phích tiếp hợp nối tiếp đất (dây mát).** Phích cắm nguyên bản và ổ cắm đúng loại sẽ làm giảm nguy cơ bị điện giật.
- ▶ **Tránh không để thân thể tiếp xúc với đất hay các vật có bề mặt tiếp đất như đường ống, lò sưởi, hàng rào và tủ lạnh.** Có nhiều nguy cơ bị điện giật hơn nếu cơ thể bạn bị tiếp hay nối đất.
 - ▶ **Không được để dụng cụ điện cầm tay ngoài mưa hay ở tình trạng ẩm ướt.** Nước vào máy sẽ làm tăng nguy cơ bị điện giật.
 - ▶ **Không được lạm dụng dây dẫn điện.** Không bao giờ được nắm dây dẫn để xách, kéo hay rút phích cắm dụng cụ điện cầm tay. Không để dây gần nơi có nhiệt độ cao, dầu nhớt, vật nhọn bén và bộ phận chuyển động. Làm hỏng hay cuộn rối dây dẫn làm tăng nguy cơ bị điện giật.
 - ▶ **Khi sử dụng dụng cụ điện cầm tay ngoài trời, dùng dây nối thích hợp cho việc sử dụng ngoài trời làm giảm nguy cơ bị điện giật.**
 - ▶ **Nếu việc sử dụng dụng cụ điện cầm tay ở nơi ẩm ướt là không thể tránh được, dùng thiết bị ngắt mạch tự động (RCD) bảo vệ nguồn.** Sử dụng thiết bị ngắt mạch tự động RCD làm giảm nguy cơ bị điện giật.
- An toàn cá nhân**
- ▶ **Hãy tỉnh táo, biết rõ mình đang làm gì và hãy sử dụng ý thức khi vận hành dụng cụ điện cầm tay.** Không sử dụng dụng cụ điện cầm tay khi đang mệt mỏi hay đang bị tác động do chất gây nghiện, rượu hay dược phẩm gây ra. Một thoáng mất tập trung khi đang vận hành dụng cụ điện cầm tay có thể gây thương tích nghiêm trọng cho bản thân.
 - ▶ **Sử dụng trang bị bảo hộ cá nhân.** Luôn luôn đeo kính bảo vệ mắt. Trang bị bảo hộ như khẩu trang, giày chống trượt, nón bảo hộ, hay dụng cụ bảo vệ tai khi được sử dụng đúng nơi đúng chỗ sẽ làm giảm nguy cơ thương tật cho bản thân.
 - ▶ **Phòng tránh máy khởi động bất ngờ.** Bảo đảm công tắc máy ở vị trí tắt trước khi cắm vào nguồn điện và/hay lắp pin vào, khi nhấn máy lên hay khi mang xách máy. Ngáng ngón tay vào công tắc máy để xách hay kích hoạt dụng cụ điện cầm tay khi công tắc ở vị trí mở để dẫn đến tai nạn.
 - ▶ **Lấy mọi chìa hay khóa điều chỉnh ra trước khi mở điện dụng cụ điện cầm tay.** Khóa hay chìa còn gắn dính vào bộ phận quay của dụng cụ điện cầm tay có thể gây thương tích cho bản thân.
 - ▶ **Không rướn người.** Luôn luôn giữ tư thế đứng thích hợp và thăng bằng. Điều này tạo cho việc điều khiển dụng cụ điện cầm tay tốt hơn trong mọi tình huống bất ngờ.
 - ▶ **Trang phục thích hợp.** Không mặc quần áo rộng lủng thụng hay mang trang sức. Giữ tóc và quần áo xa khỏi các bộ phận chuyển động. Quần áo rộng lủng thụng, đồ trang sức hay tóc dài có thể bị cuốn vào các bộ phận chuyển động.
 - ▶ **Nếu có các thiết bị đi kèm để nối máy hút bụi và các phụ kiện khác, bảo đảm các thiết bị này được nối và sử dụng tốt.** Việc sử dụng các thiết bị gom hút bụi có thể làm giảm các độc hại liên quan đến bụi gây ra.
 - ▶ **Không để thói quen do sử dụng thường xuyên dụng cụ khiến bạn trở nên chủ quan và bỏ qua các quy định an toàn dụng cụ.** Một hành vi bất cẩn có thể gây ra thương tích nghiêm trọng chỉ trong tích tắc.
- Sử dụng và bảo dưỡng dụng cụ điện cầm tay**
- ▶ **Không được ép máy.** Sử dụng dụng cụ điện cầm tay đúng loại theo đúng ứng dụng của bạn. Dụng cụ điện cầm tay đúng chức năng sẽ làm việc tốt và an toàn hơn theo đúng tiến độ mà máy được thiết kế.
 - ▶ **Không sử dụng dụng cụ điện cầm tay nếu như công tắc không tắt và mở được.** Bất kỳ dụng cụ điện cầm tay nào mà không thể điều khiển được bằng công tắc là nguy hiểm và phải được sửa chữa.
 - ▶ **Rút phích cắm ra khỏi nguồn điện và/hay pin ra khỏi dụng cụ điện cầm tay nếu có thể tháo được, trước khi tiến hành bất kỳ điều chỉnh nào, thay phụ kiện, hay cất dụng cụ điện cầm tay.** Các biện pháp ngăn ngừa như vậy làm giảm nguy cơ dụng cụ điện cầm tay khởi động bất ngờ.
 - ▶ **Cất giữ dụng cụ điện cầm tay không dùng tới nơi trẻ em không lấy được và không cho người chưa từng biết dụng cụ điện cầm tay hay các hướng dẫn này sử dụng dụng cụ điện cầm tay.** Dụng cụ điện cầm tay nguy hiểm khi ở trong tay người chưa được chỉ cách sử dụng.
 - ▶ **Bảo quản dụng cụ điện cầm tay và các phụ kiện.** Kiểm tra xem các bộ phận chuyển động có bị sai lệch hay kẹt, các bộ phận bị rạn nứt và các tình trạng khác có thể ảnh hưởng đến sự vận hành của máy. Nếu bị hư hỏng, phải sửa chữa máy trước khi sử dụng. Nhiều tai nạn xảy ra do bảo quản dụng cụ điện cầm tay tồi.
 - ▶ **Giữ các dụng cụ cất bện và sạch.** Bảo quản đúng cách các dụng cụ cất có cạnh cất bện làm giảm khả năng bị kẹt và dễ điều khiển hơn.
 - ▶ **Sử dụng dụng cụ điện cầm tay, phụ kiện, đầu cài v. v., đúng theo các chỉ dẫn này, hãy lưu ý đến điều kiện làm việc và công việc phải thực hiện.** Sự sử dụng dụng cụ điện cầm tay khác

với mục đích thiết kế có thể tạo nên tình huống nguy hiểm.

- ▶ **Giữ tay cầm và bề mặt nắm luôn khô ráo, sạch sẽ và không dính dầu mỡ.** Tay cầm và bề mặt nắm trơn trượt không đem lại thao tác an toàn và kiểm soát dụng cụ trong các tình huống bất ngờ.

Sử dụng và bảo quản dụng cụ dùng pin

- ▶ **Chỉ được sạc pin lại với bộ nạp điện do nhà sản xuất chỉ định.** Bộ nạp điện thích hợp cho một loại pin có thể gây nguy cơ cháy khi sử dụng cho một loại pin khác.
- ▶ **Chỉ sử dụng dụng cụ điện cầm tay với loại pin được thiết kế đặc biệt dành riêng cho máy.** Sử dụng bất cứ loại pin khác có thể dẫn đến thương tật hay cháy.
- ▶ **Khi không sử dụng pin, để cách xa các vật bằng kim loại như kẹp giấy, tiền xu, chìa khoá, đinh, ốc vít hay các đồ vật kim loại nhỏ khác, thứ có thể tạo sự nối tiếp từ một đầu cực với một đầu cực khác.** Sự chập mạch của các đầu cực với nhau có thể gây bóng hay cháy.
- ▶ **Bảo quản ở tình trạng tối, dung dịch từ pin có thể tửa ra; tránh tiếp xúc.** Nếu vô tình chạm phải, hãy xối nước để rửa. Nếu dung dịch vào mắt, cần thêm sự hỗ trợ của y tế. Dung dịch tiết ra từ pin có thể gây ngứa hay bóng.
- ▶ **Không được sử dụng bộ pin hoặc dụng cụ đã bị hư hại hoặc bị thay đổi.** Pin hỏng hoặc bị thay đổi có thể gây ra những tác động không lường trước được như cháy nổ hoặc nguy cơ thương tích.
- ▶ **Không đặt bộ pin hoặc dụng cụ ở gần lửa hoặc nơi quá nhiệt.** Tiếp xúc với lửa hoặc nhiệt độ cao trên 130 °C có thể gây nổ.
- ▶ **Tuân thủ tất cả các hướng dẫn nạp và không nạp bộ pin hay dụng cụ ở bên ngoài phạm vi nhiệt độ đã được quy định trong các hướng dẫn.** Nạp không đúng cách hoặc ở nhiệt độ ngoài phạm vi nạp đã quy định có thể làm hư hại pin và gia tăng nguy cơ cháy.

Bảo dưỡng

- ▶ **Đưa dụng cụ điện cầm tay của bạn đến thợ chuyên môn để bảo dưỡng, chỉ sử dụng phụ tùng đúng chủng loại để thay.** Điều này sẽ đảm bảo sự an toàn của máy được giữ nguyên.
- ▶ **Không bao giờ sửa chữa các bộ pin đã hư hại.** Chỉ cho phép nhà sản xuất hoặc các nhà cung cấp dịch vụ có ủy quyền thực hiện dịch vụ sửa chữa cho các bộ pin.

Hướng dẫn an toàn cho loại Máy Cưa Xoi

- ▶ **Chỉ cầm dụng cụ điện tại các bề mặt cầm nắm có cách điện, khi thực hiện một tác tại vị trí mà phụ kiện cắt có thể tiếp xúc với dây điện ngầm.** Phụ kiện cắt tiếp xúc với dây có

điện có thể làm cho các phần kim loại hở của dụng cụ điện cầm tay có điện và có thể gây ra điện giật cho người vận hành.

- ▶ **Sử dụng các kẹp hoặc cách thực tiễn khác để cố định và đỡ phôi gia công vào sàn thao tác cố định.** Việc cầm phôi gia công bằng tay hoặc tựa người vào phôi gia công làm cho nó dễ đổ và có thể dẫn đến mất kiểm soát.
- ▶ **Để tay tránh xa khỏi phạm vi cắt. Không được tiếp chạm với phần bên dưới vật gia công.** Tiếp xúc với lưỡi cưa có thể dẫn đến việc bị thương tích.
- ▶ **Chỉ cho máy gia công vật liệu khi máy đã hoạt động.** Nếu không làm vậy thì sẽ có nguy cơ bị giật ngược do dụng cụ cắt bị kẹp chặt trong vật gia công.
- ▶ **Đảm bảo rằng, để đĩa đã nằm an toàn trên vật liệu trong khi cưa.** Lưỡi cưa bị kẹp chặt có thể bị gãy hay gây ra sự giật ngược.
- ▶ **Khi đã cắt xong, tắt máy và sau đó rút lưỡi cưa ra khỏi mạch cắt chỉ sau khi lưỡi cưa đã ngừng chuyển động hoàn toàn.** Thực hiện như vậy bạn có thể tránh được sự giật ngược và có thể đặt máy xuống một cách an toàn.
- ▶ **Luôn luôn đợi cho máy hoàn toàn ngừng hẳn trước khi đặt xuống.** Dụng cụ lắp vào máy có thể bị kẹp chặt dẫn đến việc dụng cụ điện cầm tay bị mất điều khiển.
- ▶ **Chỉ sử dụng lưỡi cưa còn nguyên vẹn, có tình trạng hoàn hảo.** Lưỡi cưa bị cong hay cùn có thể bị gãy, ảnh hưởng xấu đến sự cắt, và có thể gây ra sự giật ngược.
- ▶ **Không được hãm lưỡi cưa cho dừng lại bằng cách tạo lực ép lên công dụng lưỡi cưa sau khi tắt máy.** Lưỡi cưa có thể bị hỏng, gãy hay gây ra giật ngược.
- ▶ **Chỉ sử dụng dụng cụ điện với đế đĩa.** Khi làm việc không đế đĩa có nguy cơ bạn không thể kiểm soát dụng cụ điện.
- ▶ **Dùng thiết bị dò tìm thích hợp để xác định nếu có các công trình công cộng lắp đặt ngầm trong khu vực làm việc hay liên hệ với Cty công trình công cộng địa phương để nhờ hỗ trợ.** Dụng cụ chạm đường dẫn điện có thể gây ra hỏa hoạn và điện giật. Làm hư hại đường dẫn khí ga có thể gây nổ. Làm thủng ống dẫn nước có thể làm hư hại tài sản hay có thể gây ra điện giật.
- ▶ **Trong trường hợp pin bị hỏng hay sử dụng sai cách, hơi nước có thể bốc ra. Pin có thể cháy hoặc nổ.** Hãy làm cho thông thoáng khí và trong trường hợp bị đau phải nhờ y tế chữa trị. Hơi nước có thể gây ngứa hệ hô hấp.
- ▶ **Không được tháo pin ra.** Nguy cơ bị chập mạch.
- ▶ **Pin có thể bị hư hại bởi các vật dụng nhọn như đinh hay tuốc-nơ-vít hoặc bởi các tác**

động lực từ bên ngoài. Nó có thể dẫn tới đoản mạch nội bộ và làm pin bị cháy, bốc khói, phát nổ hoặc quá nóng.

- **Chỉ sử dụng pin trong các sản phẩm của nhà sản xuất.** Chỉ bằng cách này, pin sẽ được bảo vệ tránh nguy cơ quá tải.



Bảo vệ pin không để bị làm nóng, ví dụ, chống để lâu dài dưới ánh nắng gay gắt, lửa, chất bẩn, nước, và sự ẩm ướt. Có nguy cơ nổ và chập mạch.



Mô Tả Sản Phẩm và Đặc Tính Kỹ Thuật



Đọc kỹ mọi cảnh báo an toàn và mọi hướng dẫn. Không tuân thủ mọi cảnh báo và hướng dẫn được liệt kê dưới đây có thể bị điện giật, gây cháy và/hoặc bị thương tật nghiêm trọng.

Xin lưu ý các hình minh hoạt trong phần trước của hướng dẫn vận hành.

Sử dụng đúng cách

Dụng cụ điện được thiết kế để thực hiện các đường tách và cắt trên gỗ, nhựa, kim loại, tấm sứ, cao su và tấm mỏng/HPL (Tấm mỏng áp suất cao) với một giá đỡ chắc chắn. Máy cũng thích hợp để cắt các đường thẳng và cong với góc vát đến 45°. Nên tuân thủ các khuyến nghị loại lưỡi cưa nên sử dụng.

Các bộ phận được minh họa

Việc đánh số các thành phần đã minh họa liên quan đến mô tả dụng cụ điện trên trang hình ảnh.

- (1) Núm xoay chọn trước tần suất nhịp chạy
- (2) Núm nhả khóa của công tắc bắt/tắt
- (3) Công tắc bật/tắt
- (4) Chìa khóa lục giác
- (5) Núm tháo pin^{a)}
- (6) Pin^{a)}
- (7) Tay nắm (có bề mặt nắm cách điện)
- (8) Gạt chỉnh đặt động tác xoay
- (9) Đế đĩa
- (10) Lưỡi cưa^{a)}
- (11) Thanh bảo vệ chống tiếp xúc
- (12) Bánh lăn định hướng
- (13) Bộ phận gắn lưỡi cưa
- (14) Đèn làm việc
- (15) Miếng chặn chống trượt
- (16) Nắp che bụi để hút^{a)}
- (17) Phần nối máy hút^{a)}
- (18) Ống hút^{a)}

- (19) Vít đế đĩa
 - (20) Thước đo góc vuông mộng
 - (21) Cờ chỉnh đặt của đường cặp cạnh
 - (22) Vít xiết của đường cặp cạnh^{a)}
 - (23) Đường cặp cạnh có dao cắt lỗ tròn^{a)}
 - (24) Đầu định tâm của dao cắt lỗ tròn^{a)}
- a) Phụ tùng được trình bày hay mô tả không phải là một phần của tiêu chuẩn hàng hóa được giao kèm theo sản phẩm. Bạn có thể tham khảo tổng thể các loại phụ tùng, phụ kiện trong chương trình phụ tùng của chúng tôi.

Thông số kỹ thuật

Cưa xoi chạy pin	GST 183-LI	
Mã số máy		3 601 EB7 0..
Điện thế danh định	V=	18
Tần suất nhịp chạy không tải n ₀ ^{A)}	/phút	0–3300
Nhịp chạy	mm	20
Công suất cắt tối đa		
– ở gỗ	mm	95
– ở nhôm	mm	15
– ở thép (không hợp kim)	mm	8
Cắt cạnh xiên (trái/phải), tối đa.	°	45
Trong lượng theo Quy trình EPTA-Procedure 01:2014	kg	2,0–3,0 ^{B)}
Nhiệt độ môi trường được khuyến nghị khi sạc	°C	0 ... +35
Nhiệt độ môi trường cho phép trong quá trình vận hành ^{C)} và trong quá trình lưu trữ	°C	–20 ... +50
Pin tương thích		GBA 18V... ProCORE18V...
Pin được khuyến dùng		GBA 18V... ≥ 4,0 Ah ProCORE18V... ≥ 4,0 Ah
Thiết bị nạp được giới thiệu		GAL 18... GAX 18... GAL 36...

A) Được đo ở 20–25 °C với pin **GBA 18V 4.0Ah**.

B) tùy vào loại pin lắp đang sử dụng

C) hiệu suất giới hạn ở nhiệt độ <0 °C

Các giá trị có thể khác nhau tùy thuộc vào sản phẩm và tùy thuộc vào ứng dụng và điều kiện môi trường. Xem thêm thông tin chi tiết trên trang www.bosch-professional.com/wac.

Pin

Bosch mua dụng cụ điện chạy pin không có pin. Dù pin được bao gồm trong phạm vi giao hàng của dụng cụ điện, bạn có thể tháo bao gi.

Sạc pin

► **Chỉ sử dụng bộ sạc được đề cập trong dữ liệu kỹ thuật.** Chỉ những bộ sạc này phù hợp cho dụng cụ điện cầm tay của bạn có sử dụng pin Li-Ion.

Hướng dẫn: Pin Lithium-ion được giao một phần do các quy định vận tải quốc tế. Để bảo đảm đầy đủ điện dung, nạp điện hoàn toàn lại cho pin trước khi sử dụng cho lần đầu tiên.

Lắp pin

Hãy đẩy pin đã sạc vào giá gắn pin cho đến khi nó vào khớp.

Tháo pin ra

Để tháo pin bạn hãy ấn nút mở khóa pin và kéo pin ra. **Không dùng sức.**

Pin có 2 mức khóa, có nhiệm vụ ngăn ngừa pin bị rơi ra do vô ý bấm phải nút tháo pin. Cứ khi nào pin còn được lắp trong dụng cụ điện, nó vẫn được giữ nguyên vị trí nhờ vào một lò xo.

Đèn báo trạng thái nạp pin

Lưu ý: Không phải mọi loại pin đều có một hiển thị mức sạc.

Các đèn LED màu xanh của màn hình hiển thị tình trạng sạc pin chỉ ra tình trạng sạc của pin. Vì lý do an toàn, ta chỉ có thể kiểm tra trạng thái của tình trạng nạp điện khi máy đã ngừng hoạt động hoàn toàn.

Để hiển thị tình trạng nạp, bạn hãy nhấn nút để hiển thị mức sạc ☺ hoặc ☹. Điều này cũng có thể thực hiện khi ắc quy được tháo ra.

Đèn LED không sáng sau khi nhấn nút để hiển thị mức sạc có nghĩa là pin bị hỏng và phải được thay thế.

Kiểu pin GBA 18V...



LED	Điện dung
Đèn sáng liên tục 3× màu xanh lá	60–100 %
Đèn sáng liên tục 2× màu xanh lá	30–60 %
Đèn sáng liên tục 1× màu xanh lá	5–30 %
Đèn nhấp nháy 1× màu xanh lá	0–5 %

Kiểu pin ProCORE18V...



LED	Điện dung
Đèn sáng liên tục 5× màu xanh lá	80–100 %
Đèn sáng liên tục 4× màu xanh lá	60–80 %
Đèn sáng liên tục 3× màu xanh lá	40–60 %

LED	Điện dung
Đèn sáng liên tục 2× màu xanh lá	20–40 %
Đèn sáng liên tục 1× màu xanh lá	5–20 %
Đèn nhấp nháy 1× màu xanh lá	0–5 %

Các Khuyến Nghị về Cách Bảo Dưỡng Tốt Nhất cho Pin

Bảo vệ pin hợp khối tránh sự ẩm ướt và nước.

Chỉ bảo quản pin trong tầm nhiệt độ nằm giữa $-20\text{ }^{\circ}\text{C}$ và $50\text{ }^{\circ}\text{C}$. Không để pin trong ô tô vào mùa hè.

Thỉnh thoảng làm sạch các khe thông gió của pin bằng cách dùng một cái cọ khô, mềm và sạch.

Sự giảm sút đáng kể thời gian hoạt động sau khi nạp điện chỉ rõ rằng pin hợp khối đã hết công dụng và phải được thay.

Quy trình hoạt động được chia ra làm hai giai đoạn.

Sự lắp vào

► **Trước khi tiến hành bất cứ công việc gì với máy (ví dụ bảo dưỡng, thay dụng cụ v.v.) cũng như khi vận chuyển hay lưu kho, tháo pin ra khỏi dụng cụ điện.** Có nguy cơ gây thương tích khi vô tình làm kích hoạt công tắc Tắt/Mở.

Thay/Lắp Lưỡi Cưa

► **Hãy mang găng tay bảo hộ khi lắp ráp hoặc thay dụng cụ.** Dụng cụ có cạnh sắc và có thể nóng khi sử dụng lâu.

Chọn Lưỡi Cưa

Bạn sẽ tìm thấy một tổng quan các lưỡi cưa khuyến nghị ở cuối hướng dẫn vận hành. Chỉ sử dụng lưỡi cưa có chuỗi gờ đơn (chuỗi chữ T). Lưỡi cưa không nên dài hơn mức cần thiết đối với dự kiến cắt.

Sử dụng lưỡi cưa bán hẹp khi cưa các đường cong gắt.

Lắp lưỡi cưa vào (xem hình A)

► **Vệ sinh trục của lưỡi cưa trước khi lắp.** Một trục bẩn có thể không được siết chặt.

Hãy đẩy lưỡi cưa (10), với răng theo hướng cắt, cho đến khi khớp vào bộ phận gắn lưỡi cưa (13).

Khi sử dụng lưỡi cưa, lưu ý sao cho sống lưỡi cưa nằm trong rãnh của bánh lăn định hướng (12).

► **Kiểm tra lưỡi cưa có được bắt chắc vào.** Lưỡi cưa gắn vào còn lỏng có thể rơi ra và gây thương tích.

Tháo lưỡi cưa (xem Hình B)

Đẩy khe lưỡi cưa (13) theo hướng mũi tên lên trên và tháo lưỡi cưa (10).

Miếng chặn chống tưa (xem hình C)

Miếng chặn chống tưa (15) có thể giúp tránh việc cọ sần mặt trên khi cửa gỗ. Miếng chặn chống tưa có thể chỉ được sử dụng với một số loại lưới cửa nhất định và chỉ với góc cắt từ 0°.

Ấn miếng chặn chống tưa (15) từ dưới vào đế đĩa (9).

Hút Dăm/Bụi

Mạt bụi từ các vật liệu được sơn phủ ngoài có chứa chì trên một số loại gỗ, khoáng vật và kim loại có thể gây nguy hại đến sức khỏe con người. Đung chạm hay hít thở các bụi này có thể làm người sử dụng hay đứng gần bị dị ứng và/hoặc gây nhiễm trùng hệ hô hấp.

Một số mặt bụi cụ thể, ví dụ như bụi gỗ sồi hay dẫu, được xem là chất gây ung thư, đặc biệt là có liên quan đến các chất phụ gia dùng xử lý gỗ (chất cromat, chất bảo quản gỗ). Có thể chỉ nên để thợ chuyên môn gia công các loại vật liệu có chứa amiăng.

- Cách xa ở mức có thể được, sử dụng hệ thống hút thích hợp cho loại vật liệu.
- Tạo không khí thông thoáng nơi làm việc.
- Khuyến nghị nên mang mặt nạ phòng độc có bộ lọc cấp P2.

Tuân thủ các qui định của quốc gia bạn liên quan đến loại vật liệu gia công.

► Tránh không để rác tích tụ tại nơi làm việc.

Rác có thể dễ dàng bắt lửa.

Nắp che bụi (xem hình D)

Hãy lắp nắp che bụi (16), trước khi bạn kết nối dụng cụ điện với thiết bị hút bụi.

Hãy đặt nắp che bụi (16) lên dụng cụ điện, sao cho giá đỡ khớp trên thanh bảo vệ chống tiếp xúc (11).

Hãy tháo nắp che bụi (16) để làm việc không thiết bị hút bụi cũng như để cắt vát. Hãy kéo nắp che bụi về phía trước khỏi thanh bảo vệ chống tiếp xúc (11).

Nối thiết bị hút bụi (xem hình E–F)

Hãy đặt phần nối máy hút (17) vào rãnh của đế đĩa (9).

Hãy đảm bảo rằng các cam ở phần nối máy hút như hiển thị trong hình ảnh E khớp vào khe tương ứng của đế đĩa (9).

Cắm ống hút (18) (phụ kiện) vào phần nối máy hút (17). Nối ống hút (18) với một chiếc máy hút bụi (phụ kiện).

Ở phần cuối của tài liệu hướng dẫn này bạn sẽ tìm thấy phần tổng quan về việc kết nối ở các máy hút bụi khác nhau.

Hãy lắp tấm chắn mảnh vụn để hút tối ưu theo khả năng có thể (15).

Máy hút bụi phải thích hợp dành cho loại vật liệu đang gia công.

Khi hút bụi khô loại đặc biệt gây nguy hại đến sức khỏe hoặc gây ra ung thư, hãy sử dụng máy hút bụi loại chuyên dụng.

Vận Hành

Chế độ hoạt động

- Trước khi tiến hành bất cứ công việc gì với máy (ví dụ bảo dưỡng, thay dụng cụ v.v.) cũng như khi vận chuyển hay lưu kho, tháo pin ra khỏi dụng cụ điện. Có nguy cơ gây thương tích khi vô tình làm kích hoạt công tắc Tắt/Mở.

Chỉnh Đặt Động Tác Xoay

Bốn vị trí chỉnh đặt động tác xoay cho phép ta đáp ứng theo tốc độ cắt, năng suất cắt và hình mẫu cắt trên vật liệu đang gia công được tốt nhất.

Với cần chỉnh (8), bạn có thể điều chỉnh độ dao động ngay cả khi đang vận hành.

Mức 0	Không có động tác xoay vòng
Mức I	Động tác xoay vòng nhỏ
Mức II	Động tác xoay vòng trung bình
Mức III	Động tác xoay vòng lớn

Cấp độ lắc tối ưu của ứng dụng tương ứng được xác định bằng thử nghiệm thực tế. Các khuyến nghị sau được áp dụng:

- Chọn cấp độ lắc càng nhỏ hoặc tắt hẳn lắc, tùy theo cạnh cắt cần càng mịn và sạch hơn.
- Tắt lắc khi gia công phối gia công mỏng (ví dụ: tấm kim loại).
- Làm việc trên vật liệu cứng (ví dụ như thép) với một độ lắc nhỏ.
- Bạn có thể làm việc với độ lắc tối đa trong vật liệu mềm và khi cửa.

Điều chỉnh góc mộng (xem Hình G)

Đế đĩa (9) có thể xoay phải hoặc trái đến 45° để thực hiện những nhát cắt vát.

Nắp che (16) và tấm chắn mảnh vụn (15) có thể không được sử dụng khi cắt vát.

- Hãy nhấn phần nối máy hút (17) nhẹ lên trên và kéo nó ra khỏi đế đĩa (9).
- Tháo nắp che bụi (16) và tấm chắn mảnh vụn (15) ra.
- Nối lỏng ốc vít (19) bằng cờ lê lục giác (4) và đẩy đế đĩa (9) nhẹ nhàng về hướng lưới cửa (10).
- Để điều chỉnh góc mộng chính xác, đế đĩa bên phải và bên trái có các khắc chốt ở 0° và 45°. Hãy xoay đế đĩa (9) theo thước đo (20) tới vị trí mong muốn. Các góc mộng khác có thể điều chỉnh bằng cách sử dụng thước đo góc.
- Đẩy đế đĩa (9) đến cỡ chặn theo hướng pin.
- Siết chặt vít (19) lại.

Bắt Đầu Vận Hành

Bật Mở và Tắt

Để **bật** dụng cụ điện, trước hết hãy ấn vào khóa bật cạnh biểu tượng **(2)** và bỏ kích hoạt. Sau đó hãy nhấn công tắc Bật/tắt **(3)** và nhấn giữ.

Đèn làm việc bật sáng khi công tắc Tắt/Mở được nhấn nhẹ hoặc nhấn hết cỡ **(3)** và cho phép chiếu sáng khu vực làm việc ở các điều kiện chiếu sáng kém.

► Không nhìn thẳng vào đèn chiếu sáng nơi làm việc, bạn có thể bị lóa mắt.

Để **tắt** dụng cụ điện cầm tay hãy nhả công tắc Tắt/Mở **(3)**. Kích hoạt khóa bật **(2)**, bằng cách ấn vào khóa bật cạnh biểu tượng **(2)**.

Điều Khiển/Chỉnh Đặt Trước Tần Suất Nhịp Chạy

Bạn có thể điều tiết liên tục tốc độ nhịp chạy của dụng cụ điện đã bật, tùy vào việc bạn nhấn công tắc Tắt/Mở như thế nào **(3)**.

Bấm nhẹ công tắc bật/tắt **(3)** sẽ cho tốc độ nhịp cửa chậm. Tăng lực bóp cũng là làm tăng tần suất nhịp chạy.

Với núm vận điều chỉnh tốc độ nhịp cửa **(1)**, bạn có thể chọn trước tốc độ này và thay đổi trong khi đang vận hành thiết bị.

Tần suất nhịp chạy cần có tốt nhất tùy thuộc vào loại vật liệu và điều kiện làm việc và có thể xác định thông qua việc chạy thử thực tế.

Khuyến nghị nên làm giảm tần suất nhịp chạy khi lưỡi cửa bắt đầu ăn vào vật liệu cứng như khi cửa nhựa mũ hay nhôm.

Sau một thời gian dài vận hành với tần suất nhịp chạy thấp, máy có thể bị nóng lên đáng kể. Tháo lưỡi cửa ra khỏi máy và làm cho máy nguội xuống bằng cách cho chạy với tần suất nhịp chạy tối đa trong khoảng 3 phút.

Bảo vệ chống quá tải dựa trên nhiệt độ

Trong quá trình sử dụng sắp tới, không được để dụng cụ điện bị quá tải. Khi trọng tải quá nặng hoặc vượt qua phạm vi nhiệt độ pin cho phép, chỉ số vòng quay sẽ giảm hoặc dụng cụ điện bị tắt. Trong lúc chỉ số vòng quay giảm, dụng cụ điện chỉ chạy với số vòng quay tối đa sau khi đạt nhiệt độ pin cho phép hoặc khi trọng tải được giảm bớt. Với việc tự ngắt, hãy tắt dụng cụ điện, để pin nguội và bật lại dụng cụ điện lần nữa.

Hướng Dẫn Sử Dụng

► Trước khi tiến hành bất cứ công việc gì với máy (ví dụ bảo dưỡng, thay dụng cụ v.v.) cũng như khi vận chuyển hay lưu kho, tháo pin ra khỏi dụng cụ điện. Có nguy cơ gây thương tích khi vô tình làm kích hoạt công tắc Tắt/Mở.

► Tắt dụng cụ điện ngay nếu lưỡi cửa bị chặn.

► Hãy sử dụng tấm đệm ổn định khi gia công phiá gia công nhỏ hơn hoặc mỏng hơn.

Kiểm tra phát hiện dị vật như kim, ốc vít các loại trước khi cửa trên gỗ thối, gỗ ép, vật liệu xây dựng v.v. và loại bỏ chúng nếu cần.

Cửa xoi được thiết kế chủ yếu để cắt cong. Trong phạm vi **Bosch** cũng gồm phụ kiện cho phép cắt thẳng hoặc cắt tròn (tùy theo model cửa xoi ví dụ đường cặp cạnh, ray dẫn hướng hoặc máy cắt tròn).

Cửa xoi cầm tay thường có xu hướng "Chạy", có nghĩa là góc và độ chính xác cắt có thể không còn được đảm bảo. Các yếu tố ảnh hưởng chính đến độ chính xác là độ dày của lưỡi cửa, độ dài của vết cắt và mật độ vật liệu và độ dày của phiá.

Do đó, bạn phải luôn kiểm tra các vết cắt thử nghiệm xem kết quả cắt của hệ thống đã chọn có tương ứng với các yêu cầu ứng dụng của bạn hay không.

Cắt xọc (xem hình H)

► Chỉ được gia công các vật liệu mềm như gỗ, tấm vữa trong quy trình cửa chìm!

Để cắt xọc, chỉ sử dụng lưỡi cửa ngắn. Chỉ có thể cắt xọc với góc mộng là 0°.

Hãy đặt dụng cụ chạy điện với cạnh trước của đế đĩa **(9)** lên chi tiết gia công mà không để lưỡi cửa **(10)** chạm vào chi tiết đó rồi bật dụng cụ. Đối với dụng cụ điện có bộ phận kiểm soát tốc độ nhịp chạy, chỉnh đặt ở tốc độ nhịp chạy tối đa. Khiến dẫn dụng cụ điện thật chắc tay xuống vật gia công và để cho lưỡi cửa từ từ đâm xọc vào vật gia công. Ngay khi đế đĩa **(9)** gần chạm vào dụng cụ, hãy cửa tiếp dọc theo đường cắt mong muốn.

Dường cặp cạnh có dao cắt lỗ tròn (phụ kiện)

Để làm việc với đường cặp cạnh có dao cắt lỗ tròn **(23)**, vật liệu gia công chỉ được phép dày tối đa là 30 mm.

Cắt song song (xem hình I): Nới lỏng vít xiết **(22)** và đẩy thước đo đường cặp cạnh bằng ray **(21)** trên đế đĩa. Chỉnh đặt độ rộng muốn có giống như trị số trên thước chia độ trên biên trong của cạnh đế đĩa. Vận chặt vít xiết **(22)**.

Cắt tròn (xem hình J): Khoan một lỗ trên đường cắt bên trong vòng tròn cần cửa đủ để đưa lưỡi cửa vào. Gia công lỗ bằng máy phay hoặc đĩa để lưỡi cửa có thể nằm chính xác trên đường cắt.

Đặt vít xiết **(22)** lên mặt khác của đường cặp cạnh. Đẩy thước đo của đường cặp cạnh dọc ray dẫn hướng **(21)** vào đế đĩa. Khoan một lỗ giữa tâm vật gia công nằm trong phần bị cửa. Cắm đầu định tâm **(24)** vào lỗ trong của đường cặp cạnh và lỗ đã khoan. Chỉnh đặt khoảng cách của bán kính giống như trị số của thước chia độ trên biên trong của cạnh đế đĩa. Vận chặt vít xiết **(22)**.

Dung dịch làm mát/Bôi trơn

Khi cửa kim loại vật liệu gia công bị nóng lên, do đó; nên bôi dung dịch làm mát/bôi trơn dọc theo đường cắt.

Bảo Dưỡng và Bảo Quản**Bảo Dưỡng Và Làm Sạch**

- ▶ **Trước khi tiến hành bất cứ công việc gì với máy (ví dụ bảo dưỡng, thay dụng cụ v.v.) cũng như khi vận chuyển hay lưu kho, tháo pin ra khỏi dụng cụ điện.** Có nguy cơ gây thương tích khi vô tình làm kích hoạt công tắc Tắt/Mở.
- ▶ **Để được an toàn và máy hoạt động đúng chức năng, luôn luôn giữ máy và các khe thông gió được sạch.**

Làm sạch phần lắp lưới cửa thường xuyên. Để thực hiện, lấy lưới cửa trong máy ra và gõ nhẹ máy xuống chỗ có bề mặt phẳng.

Máy bị quá dơ có thể làm cho sự hoạt động bị trục trặc. Không cửa các vật liệu sinh nhiều bụi từ bên dưới hoặc phía trên đầu.

Nếu bị bụi bịt kín, hãy tắt dụng cụ, tháo bầu hút bụi ra, làm sạch bụi và mùn cửa.

Thi thoảng, bôi trơn bánh lăn định hướng (12) với một giọt dầu.

Thường xuyên kiểm tra bánh lăn định hướng (12). Nếu bị mòn, phải đưa đến đại lý bảo hành-bảo trì do **Bosch** ủy nhiệm để thay.

Dịch vụ hỗ trợ khách hàng và tư vấn sử dụng

Bộ phận phục vụ hàng sau khi bán của chúng tôi trả lời các câu hỏi liên quan đến việc bảo dưỡng và sửa chữa các sản phẩm cũng như phụ tùng thay thế của bạn. Sơ đồ mô tả và thông tin về phụ tùng thay thế cũng có thể tra cứu theo dưới đây:

www.bosch-pt.com

Đội ngũ tư vấn sử dụng của Bosch sẽ giúp bạn giải đáp các thắc mắc về sản phẩm và phụ kiện.

Trong tất cả các phản hồi và đơn đặt phụ tùng, xin vui lòng luôn luôn nhập số hàng hóa 10 chữ số theo nhãn của hàng hóa.

Việt Nam

CN CÔNG TY TNHH BOSCH VIỆT NAM TẠI TP.HCM

Tầng 14, Ngôi Nhà Đức, 33 Lê Duẩn
Phường Bến Nghé, Quận 1, Thành Phố Hồ Chí Minh

Tel.: (028) 6258 3690

Fax: (028) 6258 3692 - 6258 3694

Hotline: (028) 6250 8555

Email: tuvankhachhang-pt@vn.bosch.com

www.bosch-pt.com.vn

www.baohanhbosch-pt.com.vn

Xem thêm địa chỉ dịch vụ tại:

www.bosch-pt.com/serviceaddresses

Vận chuyển

Pin Li-Ion được khuyến nghị là đối tượng phải tuân theo các qui định của Pháp Luật về Hàng Hóa Nguy Hiểm. Người sử dụng có thể vận chuyển pin hợp khối bằng đường bộ mà không cần thêm yêu cầu nào khác.

Khi được vận chuyển thông qua bên thứ ba (vd. vận chuyển bằng đường hàng không hay đại lý giao nhận), phải tuân theo các yêu cầu đặc biệt về đóng gói và dán nhãn. Phải tham vấn chuyên gia về hàng hóa nguy hiểm khi chuẩn bị gói hàng.

Chỉ gửi pin hợp khối khi vỏ ngoài không bị hư hỏng. Dán băng keo hay che kín các điểm tiếp xúc hở và đóng gói pin hợp khối theo cách sao cho pin không thể xô dịch khi nằm trong bao bì. Ngoài ra, xin vui lòng chấp hành các qui định chi tiết có thể được bổ sung thêm của quốc gia.

Sự thải bỏ

Dụng cụ điện, pin, phụ kiện và bao bì cần được tái sử dụng theo quy định về môi trường.



Bạn không được ném dụng cụ điện và pin vào thùng rác gia đình!

Pin/ác quy:**Li-Ion:**

Tuân thủ những hướng dẫn trong phần vận chuyển (xem „Vận chuyển“, Trang 59).

مخصص للاستعمال الخارجي من خطر الصدمات الكهربائية.

إن لم يكن بالإمكان تجنب تشغيل العدة الكهربائية في الأجواء الرطبة، فاستخدم مفتاح للوقاية من التيار المتخلف. إن استخدام مفتاح للوقاية من التيار المتخلف يقلل خطر الصدمات الكهربائية.

أمان الأشخاص

كن يقظا وانتبه إلى ما تفعله واستخدم العدة الكهربائية بتعقل. لا تستخدم عدة كهربائية عندما تكون متعبا أو عندما تكون تحت تأثير المخدرات أو الكحول أو الأدوية. عدم الانتباه للحظة واحدة عند استخدام العدة الكهربائية قد يؤدي إلى إصابات خطيرة.

قم لارتداء تجهيزات الحماية الشخصية. وارتد دائما نظارات واقية. يحد ارتداء تجهيزات الحماية الشخصية، كقناع الوقاية من الغبار وأحذية الأمان الواقية من الانزلاق والوذو أو واقية الأذنين، حسب ظروف استعمال العدة الكهربائية، من خطر الإصابة بجروح.

تجنب التشغيل بشكل غير مقصود. تأكد من كون العدة الكهربائية مطفأة قبل توصيلها بالتيار الكهربائي و/أو بالمركم، وقبل رفعها أو حملها. إن كنت تضع إصبعك على المفتاح أثناء حمل العدة الكهربائية أو إن وصلت الجهاز بالشبكة الكهربائية بينما لا مفتاح على وضع التشغيل، قد يؤدي إلى وقوع الحوادث.

انزع أداة الضبط أو مفتاح الربط قبل تشغيل العدة الكهربائية. قد تؤدي الأداة أو المفتاح المتواجد في جزء دوار من الجهاز إلى الإصابة بجروح.

تجنب أوضاع الجسم غير الطبيعية. قف بأمان وحافظ على توازنك دائما. سيسمح لك ذلك بالتمكّن في الجهاز بشكل أفضل في الموافف الغير متوقعة.

قم بارتداء ثياب مناسبة. لا ترتد الثياب الفضفاضة أو الحللى. احرص على إبقاء الشعر والملابس بعيدا عن الأجزاء المتحركة. قد تشابك الثياب الفضفاضة والحلى والشعر الطويل بالأجزاء المتحركة.

إن جاز تركيب تجهيزات شفت وتجميع الغبار، فتأكد من أنها موصولة وبأنه يتم استخدامها بشكل سليم. قد يقلل استخدام تجهيزات لشفت الغبار من المخاطر الناتجة عن الغبار.

لا تستخدم العدة الكهربائية بلا مبالاة وتتجاهل قواعد الأمان الخاصة بها نتيجة لتعودك على استخدام العدة الكهربائية وكثرة استخدامها. فقد يتسبب الاستخدام دون حرص في حدوث إصابة بالغة تحدث في أجزاء من الثانية.

حسن معاملة واستخدام العدد الكهربائية لا تفرط بتحميل الجهاز. استخدم لتنفيذ أشغالك العدة الكهربائية المخصصة لذلك. إنك تعمل بشكل أفضل وأكثر أمنا بواسطة العدة الكهربائية الملائمة في مجال الأداء المذكور.

لا تستخدم العدة الكهربائية إن كان مفتاح تشغيلها تالف. العدة الكهربائية التي لم يعد من

عربي

إرشادات الأمان

الإرشادات العامة للأمان بالعدد الكهربائية

تحذير

اطلع على كافة تحذيرات الأمان والتعليمات والصور والمواصفات المرفقة بالعدة الكهربائية. عدم اتباع التعليمات الواردة أدناه قد يؤدي إلى حدوث صدمة كهربائية، إلى نشوب حريق و/أو الإصابة بجروح خطيرة.

احتفظ بجميع الملاحظات التحذيرية والتعليمات للمستقبل.

يقصد بمصطلح «العدة الكهربائية» المستخدم في الملاحظات التحذيرية، العدد الكهربائية الموصولة بالشبكة الكهربائية (بواسطة كابل الشبكة الكهربائية) وأيضاً العدد الكهربائية المزودة بمركم (دون كابل الشبكة الكهربائية).

الأمان بمكان الشغل

حافظ على نظافة مكان شغلك وإضاءته بشكل جيد. الفوضى في مكان الشغل ونطاقات العمل غير المضاة قد تؤدي إلى وقوع الحوادث.

لا تشتغل بالعدة الكهربائية في نطاق معرض لخطر الانفجار مثل الأماكن التي تتوفر فيه السوائل أو الغازات أو الأبخرة القابلة للاشتعال. العدد الكهربائية تولد شررا قد يتطاير، فيشعل الأبخرة والأبخرة.

حافظ على بقاء الأطفال وغيرهم من الأشخاص بعيدا عندما تستعمل العدة الكهربائية. تشتيت الانتباه قد يتسبب في فقدان السيطرة على الجهاز.

الأمان الكهربائي

يجب أن يتلائم قابس العدة الكهربائية مع المقبس. لا يجوز تغيير القابس بأي حال من الأحوال. لا تستعمل القوايس المهينة مع العدد الكهربائية المؤرصة (ذات طرف أرضي). تخفص القوايس التي لم يتم تغييرها والمقابس الملائمة من خطر الصدمات الكهربائية.

تجنب ملامسة جسمك للأسطح المؤرصة كالأنابيب والمبردات والمواقد أو التللاجت. يزداد خطر الصدمات الكهربائية عندما يكون جسمك مؤرض أو موصل بالأرضي.

أبعد العدة الكهربائية عن الأمطار أو الرطوبة. يزداد خطر الصدمات الكهربائية إن تسرب الماء إلى داخل العدة الكهربائية.

لا تسي استعمال الكابل. لا تستخدم الكابل في حمل العدة الكهربائية أو سحبها أو سحب القابس من المقبس. احرص على إبعاد الكابل عن الحرارة والزيت والحواف الحادة أو الأجزاء المتحركة. تزيد الكابلات التالفة أو المتشابكة من خطر الصدمات الكهربائية.

عند استخدام العدة الكهربائية خارج المنزل اقتصر على استخدام كابلات التمديد الصالحة للاستعمال الخارجي. يقلل استعمال كابل تمديد

ذلك. قد يؤدي سائل المركم المتسرب إلى تهيج البشرة أو إلى الاحتراق.

- ◀ لا تستخدم عدة أو مركم تعرضاً لأضرار أو للتعديل. البطاريات المتعرضة لأضرار أو لتعديلات قد ينتج عنها أشياء لا يمكن التنبؤ بها، قد تسبب نشوب حريق أو حدوث انفجار أو إصابات.
- ◀ لا تعرض المركم أو العدة للهب أو لدرجة حرارة زائدة. التعرض للهب أو لدرجة حرارة أعلى من 130 °م قد يتسبب في انفجار.
- ◀ اتبع تعليمات الشحن ولا تقم بشحن المركم أو العدة خارج نطاق درجة الحرارة المحدد في التعليمات. الشحن بشكل غير صحيح أو في درجات حرارة خارج النطاق المحدد قد يعرض المركم لأضرار ويزيد من مخاطر الحريق.

الخدمة

- ◀ احرص على إصلاح عدتك الكهربائية فقط بواسطة العمال المتخصصين وباستعمال قطع الغيار الأصلية فقط. يضمن ذلك المماثلة على أمان الجهاز.
- ◀ لا تقم بإجراء أعمال خدمة على المراكم التالفة. أعمال الخدمة على المراكم يجب أن تقوم بها الجهة الصانعة فقط أو مقدم الخدمة المعتمد.

تعليمات الأمان لمنشير قطع النماذج/ المنحنيات

- ◀ أمسك العدة الكهربائية من أسطح المسك المعزولة عند القيام بأعمال قد يترتب عليها ملامسة ملحق القطع لأسلاك كهربائية غير ظاهرة. ملامسة ملحق القطع لسلك «مكهرب» قد يتسبب في مرور التيار في الأجزاء المعدنية من العدة وجعلها «مكهربة» مما قد يصيب المشغل بصدمة كهربائية.
- ◀ استخدم قاطمات أو طريقة عملية أخرى لتأمين قطعة المنشير وتدعيمها على منصة ثابتة. مسك قطعة المنشير بيديك أو سندها على جسمك يجعلها غير ثابتة وقد يؤدي إلى فقدان السيطرة.
- ◀ أبعد يديك عن مجال النشر. لا تقبض بيديك إلى ما تحت قطعة المنشير. إن ملامسة نصل المنشار يؤدي إلى تشكل مخاطر الإصابة بجروح.
- ◀ وجه العدة الكهربائية نحو قطعة المنشير فقط عندما تكون في حالة التشغيل. قد يتشكل خطر الصدمات الارتدادية إن تكلبت عدة المنشير في قطعة المنشير.
- ◀ انتبه إلى ارتكاز صفيحة القاعدة بأمان أثناء النشر. إن نصل المنشار المنكمط قد يكسر أو قد يؤدي إلى صدمة ارتدادية.
- ◀ اطفئ العدة الكهربائية بعد إنهاء عملية المنشير ولا تسحب نصل المنشار عن القطع إلا بعد أن يتوقف عن الحركة. إنك ستجنب الصدمة الارتدادية بذلك وستتمكن من ركن العدة الكهربائية بأمان.
- ◀ انتظر إلى أن تتوقف العدة الكهربائية عن الحركة قبل أن تضعها جانباً. قد تكلب عدة المنشير فتؤدي إلى فقدان السيطرة على العدة الكهربائية.

- الممكن التحكم بها عن طريق مفتاح التشغيل والإطفاء تعتبر خطيرة ويجب أن يتم إصلاحها.
- ◀ اسحب القابس من المقبس و/أو اخلع المركم، إذا كان قابلاً للخلع، قبل ضبط الجهاز وقبل استبدال الملحقات أو قبل تخزين الجهاز. تمنع هذه الإجراءات وقائية تشغيل العدة الكهربائية بشكل غير مقصود.
- ◀ احتفظ بالعدد الكهربائية التي لا يتم استخدامها بعيداً عن متناول الأطفال. لا تسمح باستخدام العدة الكهربائية لمن لا خبرة له بها أو لمن لم يقرأ تلك التعليمات. العدد الكهربائي خطيرة إن تم استخدامها من قبل أشخاص دون خبرة.
- ◀ اعتن بالعدة الكهربائية والملحقات بشكل جيد. تأكد أن أجزاء الجهاز المتمركبة مركبة بشكل سليم وغير مستعصية عن الحركة، وتفحص ما إن كانت هناك أجزاء مكسورة أو في حالة تؤثر على سلامة أداء العدة الكهربائية. ينبغي إصلاح هذه الأجزاء التالفة قبل إعادة تشغيل الجهاز. الكثير من الحوادث مصدرها العدد الكهربائية التي تتم صيانتها بشكل رديء.
- ◀ احرص على إبقاء عدد القطع نظيفة وحادة. إن عدد القطع ذات حواف القطع المادة التي تم صيانتها بعناية تتكلم بشكل أقل ويمكن توجيهها بشكل أيسر.
- ◀ استخدم العدد الكهربائية والتوابع وريش الشغل إلخ. وفقاً لهذه التعليمات. تراعى أثناء ذلك ظروف الشغل والعمل المراد تنفيذه. استخدام العدد الكهربائية لغبر الأشغال المخصصة لأجلها قد يؤدي إلى حدوث الحلات الخطيرة.
- ◀ احرص على إبقاء المقابض وأسطح المسك جافة ونظيفة وخالية من الزيوت والشحوم. المقابض وأسطح المسك الزلقة لا تتبع التشغيل والتحكم الأمان في العدة في المواقف غير المتوقعة.
- حسن معاملة واستخدام العدد المزودة بمركم اشحن المراكم فقط في أجهزة الشحن التي يُنصح باستخدامها من طرف المنتج. قد يتسبب جهاز الشحن المخصصة لنوع معين من المراكم في خطر الحريق إن تم استخدامه مع نوع آخر من المراكم.
- ◀ استخدم العدد الكهربائية فقط مع المراكم المصممة لهذا الغرض. قد يؤدي استخدام المراكم الأخرى إلى إصابات وإلى خطر نشوب الحرائق.
- ◀ حافظ على إبعاد المركم الذي لا يتم استعماله عن مشابك الورق وقطع النقود المعدنية والمفاتيح والمسامير واللواكب أو غيرها من الأغراض المعدنية الصغيرة التي قد تقوم بتوصيل الملامسين ببعضهما البعض. قد يؤدي تقصير الدارة الكهربائية بين ملامسي المركم إلى الاحتراق أو إلى اندلاع النار.
- ◀ قد يتسرب السائل من المركم في حالة سوء الاستعمال. تجنب ملامسته. اشطفه بالماء في حال ملامسته بشكل غير مقصود. إن وصل السائل إلى العينين، فراجع الطبيب إضافة إلى

الأجزاء المصورة

يشير ترقيم الأجزاء المصورة إلى الصورة المعروضة للعدة الكهربائية في صفحة الرسوم.

- (1) طارة ضبط عدد الأشواط مسبقاً
 - (2) قفل تشغيل مفتاح التشغيل والإطفاء
 - (3) مفتاح التشغيل والإطفاء
 - (4) مفتاح سداسي الرأس
 - (5) زر فك إقفال المرمك^(a)
 - (6) المرمك^(a)
 - (7) مقبض (سطح قبض معزول)
 - (8) ذراع ضبط التآرجع
 - (9) صفيحة القاعدة
 - (10) شفرة المنشار^(a)
 - (11) واقية للمس
 - (12) بكرة التوجيه
 - (13) حاضن شفرة المنشار
 - (14) ضوء العمل
 - (15) واقية تمزق الأسطح الخارجية
 - (16) غطاء حماية للأسفط^(a)
 - (17) فوهة الشفط^(a)
 - (18) خرطوم الشفط^(a)
 - (19) لولب صفيحة القاعدة
 - (20) مقياس زوايا الشطب المائلة
 - (21) موجه مصد التوازي
 - (22) لولب تثبيت مصد التوازي^(a)
 - (23) مصد التوازي المزود بأداة قطع مستديرة^(a)
 - (24) طرف تمرکز أداة القطع المستديرة^(a)
- (a) لا يتضمن إطار التوريد الاعتباري التوابع المصورة أو المشروحة. تجد التوابع الكاملة في برنامجنا للتوابع.

البيانات الفنية

منشار الأركت العامل بمرمك		GST 183-LI
رقم الصنف		3601 EB7 0..
الجهد الاسمي	فلط=	18
عدد اللفات اللاحملي ^(A) n ₀	شوط/دقة	0-3300
الشوط	مم	20
عمق القطع الأقصى		
- في الخشب	مم	95
- في الألومنيوم	مم	15
- في الفولاذ (غير المسبوك)	مم	8
زاوية القطع القصوى (يسار/يمين)	°	45
الوزن حسب EPTA-Procedure 01:2014	كجم	2,0-3,0 ^(B)

◀ استخدم فقط نصال المنشار الغير تالفة والسليمة تماماً. إن نصال المنشار المتلوية أو الكليية قد تنكسر أو تؤثر سلباً على القطع أو قد تتسبب بصدمة ارتدادية.

◀ لا تكبح حركة نصل المنشار بعد الإطفاء بضغط جانبي معاكس. قد يتلف نصل المنشار أو يكسر أو يسبب صدمة ارتدادية.

◀ لا تستخدم العدة الكهربائية إلا مع صفيحة قاعدة. عند العمل دون صفيحة قاعدة هناك خطر ألا تستطيع التحكم في العدة الكهربائية.

◀ استخدم أجهزة تنقيب ملائمة للعثور على خطوط الامداد غير الظاهرة، أو استعن بشركة الامداد المحلية. ملامسة الخطوط الكهربائية قد تؤدي إلى اندلاع النار وإلى الصدمات الكهربائية. حدوث أضرار بخط الغاز قد يؤدي إلى حدوث انفجارات. اختراق خط الماء يتسبب في وقوع أضرار مادية.

◀ قد تنطلق أبخرة عند تلف المرمك واستخدامه بطريقة غير ملائمة. يمكن أن يحترق المرمك أو يتعرض للانفجار. أمن توفير الهواء النقي وراجع الطبيب إن شعرت بشكوى. قد تهيج هذه الأبخرة المجاري التنفسية.

◀ لا تفتح المرمك. يتشكل خطر تقصير الدائرة الكهربائية.

◀ يمكن أن يتعرض المرمك لأضرار من خلال الأشياء المدببة مثل المسامير والمفكات أو من خلال تأثير القوى الخارجية. وقد يؤدي هذا إلى تقصير الدائرة الكهربائية الداخلية واحتراق المرمك أو خروج الأبخرة منه أو انفجاره وتعرضه لسخونة مفرطة.

◀ اقتصر على استخدام المرمك في منتجات الجهة الصانعة. يتم حماية المرمك من فرط التخميل الخطير بهذه الطريقة فقط دون غيرها.

احرص على حماية المرمك من الحرارة، بما ذلك التعرض لأشعة الشمس باستمرار ومن النار والاتساخ والماء والرطوبة. حيث ينشأ خطر الانفجار وخطر حدوث دائرة قصر.



وصف المنتج والأداء



اقرأ جميع إرشادات الأمان والتعليمات. ارتكاب الأخطاء عند تطبيق إرشادات الأمان والتعليمات، قد يؤدي إلى حدوث صدمات الكهربائية أو إلى نشوب الحرائق و/أو الإصابة بجروح خطيرة.



يرجى الرجوع إلى الصور الموجودة في الجزء الأول من دليل التشغيل.

الاستعمال المخصص

العدة الكهربائية على القاعدة الثابتة مخصصة لتنفيذ القطوع الفاصلة وعمل الفتحات في الخشب والبلاستيك والمعادن والصفائح الخرفية والمطاط والصفائح/HPL (صفائح الضغط العالي). وتصلح لإجراء القطوع المستقيمة والمنحنية بزوايا شطب حتى 45°. تراعى النصائح الخاصة بشفرات المنشار.

بالسلامة فإنه لا يمكن الاستعلاء عن حالة الشحن إلا والعدة الكهربائية متوقفة.
اضغط على زر مبيّن حالة الشحن  أو  لعرض حالة الشحن. يمكن هذا أيضاً والمركم مخرج.
إذا لم يضيء أي مصباح دايمود بعد الضغط على زر مبيّن حالة الشحن، فهذا يعني أن المركم تالف ويجب تغييره.

نوع المركم GBA 18V...



السعة	لمبة LED
100-60 %	ضوء مستمر 3 × أخضر
60-30 %	ضوء مستمر 2 × أخضر
30-5 %	ضوء مستمر 1 × أخضر
5-0 %	ضوء وماض 1 × أخضر

نوع المركم ProCORE18V...



السعة	لمبة LED
100-80 %	ضوء مستمر 5 × أخضر
80-60 %	ضوء مستمر 4 × أخضر
60-40 %	ضوء مستمر 3 × أخضر
40-20 %	ضوء مستمر 2 × أخضر
20-5 %	ضوء مستمر 1 × أخضر
5-0 %	ضوء وماض 1 × أخضر

ملاحظات للتعامل مع المركم بطريقة مثالية

قم بحماية المركم من الرطوبة والماء.
لا تقم بتخزين المركم إلا في نطاق درجة حرارة يقع بين 20-°م وحتى 50°م. لا تترك المركم في السيارة في فصل الصيف مثلاً.
نظف فتحات التهوية بالمركم من فترة لأخرى، بواسطة فرشاة طرية ونظيفة وجافة.
إذا انخفضت فترة التشغيل بعد الشحن بدرجة كبيرة فهذا يعني أن المركم قد استهلك وأنه يجب استبداله.
تراجع الإرشادات عند التخلص من العدد.

التركيب

◀ **انزع المركم عن العدة الكهربائية قبل إجراء أي أعمال بالعدة الكهربائية (مثلاً: الصيانة، استبدال العدد وإلخ..)** وأيضاً عند نقلها أو تخزينها. هناك خطر إصابة بجروح عند الضغط على مفتاح التشغيل والإطفاء بشكل غير مقصود.

منشار الأركت العامل بمركم GST 183-LI

35+ ... 0	°م	درجة الحرارة المحيطة الموصى بها عند الشحن
50+ ... 20-	°م	درجة الحرارة المحيطة المسموحة عند التشغيل ^(C) وعند التخزين
GBA 18V... ProCORE18V...		المراكم المتوافقة
GBA 18V... ≤ 4,0 أمبير ساعة ProCORE18V... ≤ 4,0 أمبير ساعة		المراكم الموصى بها
GAL 18... GAX 18... GAL 36...		أجهزة الشحن الموصى بها

(A) مقياس عند درجة حرارة 25-20°م مع مركم GBA 18V 4.0Ah

(B) حسب المركم المُستخدم

(C) قدرة محدودة في درجات الحرارة > 0°م

قد تختلف القيم حسب المنتج وظروف الاستخدام والبيئة. المزيد من المعلومات على موقع الإنترنت www.bosch-professional.com/wac.

مركم

تبيع شركة **Bosch** العدد الكهربائية العاملة بمركم دون مركم أيضاً. يمكنك أن تعرف من العبوة ما إذا كان المركم موجود ضمن مجموعة التجهيزات الموردة مع العدة الكهربائية الخاصة بك.

شحن المركم

◀ **اقتصر على استخدام أجهزة الشحن المذكورة في المواصفات الفنية.** أجهزة الشحن هذه دون غيرها هي المتوافقة مع مركم أيونات الليثيوم المستخدم في عدتك الكهربائية.

ملحوظة: يتم تسليم مراكم أيونات الليثيوم مشحونة جزئياً وفقاً للوائح النقل الدولية. لضمان قدرة أداء المركم الكاملة، يتوجب شحن المركم بشكل كامل قبل الاستعمال لأول مرة.

تركيب المركم

أدخل المركم المشحون في موضع تثبيت المركم إلى أن يثبت بشكل ملموس.

نزع المركم

لفاع المركم اضغط على زر تحرير المركم وأخرج المركم. **لا تستخدم القوة أثناء ذلك.**

يمتاز المركم بدرجةتي إقفال اثنتين، تمنعان سقوط المركم للخارج في حال ضغط زر فك إقفال المركم بشكل غير مقصود. يتم تثبيت المركم بواسطة نابض ما دام مركباً في العدة الكهربائية.

مبين حالة شحن المركم

ملحوظة: ليست كل أنواع المراكم تحتوي على مبيّن حالة شحن.

تشير مصابيح الدايمود الخضراء الفاصة بمبين حالة شحن المركم لحالة شحن المركم. لأسباب تتعلق

تركيب/استبدال نصل المنشار

◀ **احرص أثناء تركيب العدة الكهربائية أو تغييرها على ارتداء قفازات حماية.** عدد الشغل حادة وقد تسخن عند الاستخدام لفترة طويلة.

اختيار نصل المنشار

تجد في نهاية هذا الدليل عرضاً عاماً لأنصال المنشار الموصى بها. اقتصِر على تركيب أنصال المناشير ذات رقبة التثبيت الأحادية (النصل T). ينبغي ألا يزيد طول نصل المنشار عن الطول المطلوب لأداء عملية القص المرغوبة.

استخدم نصل منشار رقيق من أجل نشر المنعطفات الضيقة.

تركيب شفرة المنشار (انظر الصورة A)

◀ **قم بتنظيف ساق نصل المنشار قبل الاستخدام.** لا يمكن تثبيت ساق منسّخة بشكل آمن.

قم بتريك شفرة المنشار (10) بحيث تكون الأسنان في اتجاه القطع، حتى الثبات في حاضن شفرة المنشار (13).

احرص عند تركيب نصل المنشار على أن يستقر ظهر نصل المنشار في حز بكرة التوجيه (12).

◀ **تفحص إحكام ثبات نصل المنشار.** إن نصل المنشار الغير ثابت قد يسقط ليصيبك بجروح.

إخراج نصل المنشار (انظر الصورة B)

قم بتريك حاضن نصل المنشار (13) في اتجاه السهم إلى أعلى واخلع نصل المنشار (10).

واقية البرادة (انظر الصورة C)

يمكن لواقية تمزق النشارة (15) منع اقتلاع السطح الخارجي أثناء نشر الخشب. لا يمكن استخدام واقية النشارة إلا مع أنواع شفرات منشار محددة ومع زاوية قطع °0.

اضغط واقية البرادة (15) من أسفل في صفحة القاعدة (9).

شفط الغبار/النشارة

إن غبار بعض المواد كالطلاء الذي يحتوي على الرصاص، وبعض أنواع الخشب والفلزات والمعادن، قد تكون مضرّة بالصحة. إن ملامسة أو استنشاق غبار قد يؤدي إلى أعراض حساسية و/أو إلى أمراض الجهاز التنفسي لدى المستخدم أو لدى الأشخاص المتواجدين على مقربة من المكان.

تعتبر بعض الأغبرة المعينة، كأغبرة البلوط والزان، مسببة للسرطان، ولا سيما عند الارتباط بالمواد الإضافية لمعالجة الخشب (ملح جامض الكروميك، المواد الحافظة للخشب). يجوز أن يتم معالجة المواد التي تحتوي على الأسبستوس من قبل العمال المتخصصين فقط دون غيرهم.

– استخدم شفاطة غبار ملائمة للمادة قدر الإمكان.

– حافظ على تهوية مكان الشغل بشكل جيد.

– ينصح بارتداء قناع واقية للتنفس بفتحة المرشح P2. تراعى الأحكام السارية في بلدكم بالنسبة للمواد المرغوب معالجتها.

◀ **تجنب تراكم الغبار بمكان العمل.** يجوز أن تشتعل الأغبرة بسهولة.

غطاء الحماية (انظر الصورة D)

قم بتركيب غطاء الحماية (16)، قبل توصيل العدة الكهربائية بتجهيز شفت الغبار.

قم بتركيب غطاء الحماية (16) على العدة الكهربائية بحيث يثبت الحامل على واقية اللمس (11).

اخلع غطاء الحماية (16) للعمل دون تجهيز شفت الغبار ولعمل قطوع الشطب المائل. للقيام بهذا اسحب غطاء الحماية إلى الأمام لخلعه من واقية اللمس (11).

توصيل شفاط الأتربة (انظر الصور E-F)

قم بتركيب فوهة الشفت (17) في تجويف صفيحة القاعدة (9).

احرص على أن تستقر الكامنة الموجودة في فوهة الشفت كما هو موضح في الصورة E في التجويف المعني بصفيحة القاعدة (9).

قم بتركيب خرطوم الشفت (18) (ملحق تكميلي) على فوهة الشفت (17). قم بتوصيل خرطوم الشفت (18) بشفاط الغبار (ملحق تكميلي).

تجد في نهاية هذا الدليل عرضاً عاماً للتوصيل بشفاطات الغبار المختلفة.

للشفط المثالي قدر الإمكان قم بتركيب واقية تمزق النشارة (15).

يجب أن تصلع شفاطة الغبار الخوائية للاستعمال مع مادة الشغل المرغوب معالجتها.

استخدم شفاطة غبار خوائية خاصة عند شفت الأغبرة المضرة بالصحة أو المسببة للسرطان أو الشديدة الجفاف.

التشغيل

طرق التشغيل

◀ **انزع المرمك عن العدة الكهربائية قبل إجراء أي أعمال بالعدة الكهربائية (مثلاً: الصيانة، استبدال العدد وإلخ..)** وأيضاً عند نقلها أو تخزينها. هناك خطر إصابة بجروح عند الضغط على مفتاح التشغيل والإطفاء بشكل غير مقصود.

ضبط التراجع

تسمح حركة التراجع القابلة للضبط في أربع درجات بملائمة سرعة القطع وقدرة القطع وهيئة القطع مع المادة المرغوب معالجتها بشكل مثالي.

باستخدام ذراع الضبط (8) يمكن ضبط التراجع أثناء التشغيل أيضاً.

الدرجة 0	دون تأرجح
الدرجة I	تأرجح صغير
الدرجة II	تأرجح متوسط
الدرجة III	تأرجح كبير

يمكن استنتاج حركة التراجع المثالية لكل حالة تشغيل بالتجربة العملية. وينصح عند ذلك بما يلي:

– كلما رغبت بزيادة نعومة أو نظافة حافة القطع، كلما توجب تصغير حركة التراجع أو إطفائها.

– قم بإيقاف التراجع أثناء معالجة الخامات الرفيعة (الصنائع مثلاً).

ينصح بتخفيض عدد الأشواط عند تنزيل نصل المنشار على قطعة الشغل وأيضاً عند نشر اللدائن والألمنيوم.
في حالة العمل لفترة طويلة نسبياً بعدد أشواط قليل يمكن أن تسخن العدة الكهربائية بشدة. فك نصل المنشار وشغل العدة الكهربائية بعدد الأشواط الأقصى لمدة 3 دقائق تقريباً لتبريد العدة الكهربائية.

وسيلة حماية من التحميل الزائد المرتبطة بدرجة الحرارة

في الاستعمال المطابق للتعليمات لا يمكن تعريض العدة الكهربائية للحميل الزائد. في حالة التحميل الزائد أو الخروج من نطاق درجة الحرارة المسموح به للمركم يتم خفض عدد اللفات أو يتم فصل العدة الكهربائية. عند خفض عدد اللفات لا تعود العدة الكهربائية إلى عدد اللفات الكامل إلا بعد الوصول إلى درجة الحرارة المسموح بها للمركم أو عند انخفاض التحميل. في حالة الفصل الأوتوماتيكي قم بإيقاف العدة الكهربائية، ودع المركم حتى يبرد، ثم قم بتشغيل العدة الكهربائية مرة أخرى.

إرشادات العمل

◀ **انزع المركم عن العدة الكهربائية قبل إجراء أي أعمال بالعدة الكهربائية (مثلاً: الصيانة، استبدال العدد وإلخ..)** وأيضاً عند نقلها أو تخزينها. هناك خطر إصابة بجروح عند الضغط على مفتاح التشغيل والإطفاء بشكل غير مقصود.

◀ **أوقف العدة الكهربائية على الفور في حالة تعرض نصل المنشار للانحصار.**

◀ **استخدم أرضية ثابتة دائماً عند معالجة قطع الشغل الصغيرة أو الرقيقة.**

افحص الخشب وأنواع الخشب المضغوط ومواد البناء وما شابه قبل نشرها من حيث وجود أغراض غريبة بها كالمسامير والوالب وما شابه، وأزلها إن وجدت. مناشير الأركت مصممة بشكل أساسي لأعمال القطع المنحنية. في تشكيلة **Bosch** يوجد بالإضافة إلى ذلك ملحقات تتبع القيام بالقطوع المستقيمة أو الدائرية (حساب طراز منشار الأركت على سبيل المثال مصدر توازي، أو سكة توجيه، أو أداة قطع دائرية).

تميل مناشير الأركت اليدوية بشكل أساسي إلى ما يسمى «الهروب»، أي أن دقة الزوايا والقطع لن تكون موجودة أحياناً. أهم العوامل المؤثرة على الدقة هي سمك شفرة المنشار وطول القطع وسمك الخامة ومدى صلابة قطعة الشغل.

لهذا احرص دائماً على التأكد من خلال القطوع التجريبية أن نتيجة قطع النظام المختار تطابق متطلبات الاستخدام.

النشر الغاطس (انظر الصورة H)

◀ **يجب الاقتصار على استخدام خامات ليثة مثل الخشب والورق المقوى المخصص في أعمال النشر الغاطس!**

استخدم بالنشر الغاطس نصال المنشار القصيرة فقط. يمكن القيام بالنشر الغاطس فقط عند زاوية شطب مائلة تبلغ 5°.

قم بوضع العدة الكهربائية مع الحافة الأمامية لصفحة القاعدة (9) على قطعة الشغل، مع مراعاة

– قم بالعمل في الخامات الصلبة (مثل الفولاذ) بتأرجح صغير.

– يمكنك أن تستغل بمركبة التآرجح القصوى عند معالجة مواد الشغل الطرية وعند نشر الخشب.

ضبط زاوية الشطب المائل (انظر الصورة G)

يمكن تحريك صفيحة القاعدة (9) لعمل قطوع الشطب المائل بزاوية 45° إلى اليمين أو إلى اليسار. يمكن عدم استخدام غطاء الحماية (16) وواقية تمزق النشارة (15) أثناء عمل قطوعات الشطب المائل.

– اضغط على فوهة الشفط (17) إلى أعلى بعض الشيء، واسحبها من صفيحة القاعدة (9).

– اخلع غطاء الحماية (16) وواقية تمزق الأسطح الخارجية (15).

– قم بحل اللولب (19) باستخدام مفتاح سداسي الرأس (4) وحرك صفيحة القاعدة (9) بقدر بسيط في اتجاه شفرة المنشار (10).

– لضبط زاوية شطب مائل بصورة دقيقة، يوجد بصفيحة القاعدة على اليمين وعلى اليسار نقاط تثبيت عند الزاوية 0° و 45°. قم بتحريك صفيحة القاعدة (9) طبقاً للتدريج (20) إلى الوضع المرغوب. يمكن ضبط زوايا شطب مائلة أخرى بواسطة منقلة.

– حرك بعد ذلك صفيحة القاعدة (9) في اتجاه المركم حتى النهاية.

– أحكم ربط اللولب (19) مرة أخرى.

بدء التشغيل

التشغيل والإطفاء

لغرض تشغيل العدة الكهربائية اضغط أولاً بجوار الرمز **⏻** على مانع التشغيل (2) حتى يتم إيقاف تفعيله. بعد ذلك اضغط على مفتاح التشغيل والإطفاء (3) واحتفظ به مضغوطاً.

يضيء مصباح العمل عند الضغط على مفتاح التشغيل والإطفاء (3) بشكل جزئي أو كامل ويسمح بإضاءة مكان الشغل إن كانت ظروف الإضاءة غير ملائمة.

◀ **لا توجه نظرك مباشرة إلى ضوء العمل، فقد يبهر بصرك.**

لغرض إطفاء العدة الكهربائية، اترك مفتاح التشغيل والإطفاء (3). قم بتفعيل مانع التشغيل (2) عن طريق الضغط بجوار الرمز **⏻** على مانع التشغيل.

التحكم بعدد الأشواط/ضبطه مسبقاً

يمكنك أن تتحكم بعدد أشواط العدة الكهربائية قيد التشغيل دون تدريج، حسب مدى الضغط على مفتاح التشغيل والإطفاء (3).

يؤدي الضغط الخفيف على مفتاح التشغيل والإطفاء (3) إلى عدد أشواط منخفض. يزداد عدد الأشواط بزيادة الضغط.

يمكنك أن تضبط عدد الأشواط مسبقاً وأن تغيره أثناء التشغيل بواسطة طارة الضبط المسبق لعدد الأشواط (1).

يتعلق عدد الأشواط المطلوب بمادة الشغل وبظروف العمل ويمكن استنتاجه من خلال التجربة العملية.

قم بتزليق بكرة التوجيه (12) من وقت لآخر باستخدام قطرة زيت.
تفحص بكرة التوجيه (12) بانتظام. إن كانت مستهلكة، يجب استبدالها من قبل مركز خدمة عملاء معتمد تابع لشركة **Bosch**.

خدمة العملاء واستشارات الاستخدام

يجيب مركز خدمة العملاء على الأسئلة المتعلقة بإصلاح المنتج وصيانته، بالإضافة لقطع الغيار. تجد الرسوم التفصيلية والمعلومات الخاصة بقطع الغيار في الموقع: www.bosch-pt.com

يسر فريق Bosch لاستشارات الاستخدام مساعدتك إذا كان لديك أي استفسارات بخصوص منتجاتنا وملحقاتها.

يلزم ذكر رقم الصنف ذو الخانات العشر وفقاً للوحة صنع المنتج عند إرسال أية استفسارات أو طلبيات قطع غيار.

المغرب

Robert Bosch Morocco SARL

53, شارع الملازم محمد محروود

20300 الدار البيضاء

الهاتف: +212 5 29 31 43 27

البريد الإلكتروني: sav.outillage@ma.bosch.com

تجد المزيد من عناوين الخدمة تحت:

www.bosch-pt.com/serviceaddresses

النقل

تخضع مراكز أيونات الليثيوم الموصى بها لاشتراطات قانون المواد الخطرة. يسمح للمستخدم أن يقوم بنقل المراكم على الطرقات دون التقيد بأية شروط إضافية.

عندما يتم إرسالها عن طريق طرف آخر (مثلاً: الشحن الجوي أو شركة شحن)، يتوجب التقيد بشروط خاصة بصدد التغليف ووضع العلامات. ينبغي استشارة خبير متخصص بنقل المواد الخطيرة عندما يرغب بتحضير المرمك المراد شحنه في هذه الحالة.

لا تقوم بشحن المراكم إلا إذا كان هيكلها الخارجي سليماً. قم بتغطية الملامسات المكشوفة بلاصقات، وقيم بتغليف المرمك بحيث لا يتحرك في الطرد. يرجى أيضاً مراعاة التشريعات المحلية المتعلقة إن وجدت.

التخلص من العدة الكهربائية

يجب التخلص من العدة الكهربائية والمركم والتوابع والتغليف بطريقة صديقة للبيئة عن طريق النفايات القابلة لإعادة التصنيع.

لا تلقِ العدد الكهربائي والمراكم/البطاريات ضمن النفايات المنزلية!



المراكم/البطاريات:

مراكم أيونات الليثيوم:

يرجى مراعاة الإرشادات الواردة في جزء النقل (انظر „النقل“، الصفحة 66).

عدم تلامس شفرة المنشار (10) لقطعة الشغل، ثم قم بتشغيل العدة الكهربائية. عبر عدد الأشواط الأقصى بالعدد الكهربائي المزودة بتحكم بعدد الأشواط. اضغط على العدة الكهربائية بقوة في قطعة الشغل، واجعل شفرة المنشار تتوغل ببطء داخل قطعة الشغل.

عندما تستقر صفيحة القاعدة (9) على قطعة الشغل بشكل مسطح تماماً، واصل النشر بمحاذاة خط القطع المرغوب.

مصد التوازي المزود بأداة قطع مستديرة (ملحق تكميلي)

للعمل باستخدام مصد التوازي باستخدام أداة القطع المستديرة (23) لا يجوز أن يتخطى سمك قطعة الشغل 30 مم.

القطاعات المتوازية (انظر الصورة أ): قم بحل لولب التثبيت (22) وتحريك تدريج مصد التوازي عبر المسار الدليلي (21) في صفيحة القاعدة. اضبط قيمة عرض القطع المرغوب على المقياس بالحافة الداخلية بصفيحة القاعدة. أحكم ربط لولب التثبيت (22).

القطوعات المستديرة (انظر الصورة ب): قم بعمل ثقب على خط القطع داخل الدائرة المراد نشرها، يكفي لتمرير نصل المنشار. عالج الثقب بواسطة فارزة أو مبرد، لكي تستطيع أن تسند نصل المنشار على خط القص بتساطح.

قم بتركيب لولب التثبيت (22) على الجهة المقابلة لمصد التوازي. قم بتحريك تدريج مصد التوازي عبر المسار الدليلي (21) في صفيحة القاعدة. اثنق ثقباً في قطعة الشغل بمنتصف القطعة المرغوب نشرها. قم بتمرير طرف التمرکز (24) عبر الفتحة الداخلية لمصد التوازي وفي الثقب الذي تم فتحه. اضبط قيمة القطر على المقياس بالحافة الداخلية بصفيحة القاعدة. أحكم ربط لولب التثبيت (22).

مواد التبريد/التشحيم

يفضل دهن مواد التبريد أو التشحيم على مسار خط القطع عند نشر المعادن بسبب ارتفاع حرارة المادة.

الصيانة والخدمة

الصيانة والتنظيف

◀ انزع المرمك عن العدة الكهربائية قبل إجراء أي أعمال بالعدة الكهربائية (مثلاً: الصيانة، استبدال العدد وإلخ..). وأيضاً عند نقلها أو تخزينها. هناك خطر إصابة بجروح عند الضغط على مفتاح التشغيل والإطفاة بشكل غير مقصود.

◀ للعمل بشكل جيد وأمن حافظ دائماً على نظافة العدة الكهربائية وفتحات التهوية.

نظف حاضن نصل المنشار بشكل منتظم. انزع نصل المنشار عن العدة الكهربائية لتنفيذ ذلك ثم انفض العدة الكهربائية بخفة على سطح مستو.

قد يؤدي اتساخ العدة الكهربائية بشكل شديد إلى خلل بالتشغيل. لذلك لا تقم بنشر الغامات التي ينتج عنها غبار كثيف من أسفل أو من مستوى أعلى من الرأس.

إذا انسد مخرج الغبار، قم بإطفاة العدة الكهربائية، واخلع تجهيزة شطف الغبار وقم بإزالة الغبار والشارية منها.

فارسی

دستورات ایمنی

نکات ایمنی عمومی برای ابزارهای برقی

⚠ هشدار

کلیه هشدارها،

دستورالعملها، تصاویر و

مشخصات ارائه شده به همراه ابزار برقی را

مطالعه کنید. اشتباهات ناشی از عدم رعایت این

دستورات ایمنی ممکن است باعث برق گرفتگی،

سوختگی و یا سایر جراحات های شدید شود.

کلیه هشدارهای ایمنی و راهنماییها را برای

آینده خوب نگهداری کنید.

عبارت «ابزار برقی» در هشدارها به ابزارهایی که به

پریز برق متصل میشوند (با سیم برق) و یا ابزارهای

برقی باتری دار (بدون سیم برق) اشاره دارد.

ایمنی محل کار

◀ محیط کار را تمیز و روشن نگه دارید.

محیطهای در هم ریخته یا تارک احتمال بروز حادثه

را افزایش میدهند.

◀ ابزار برقی را در محیطهایی که خطر انفجار

وجود دارد و حاوی مایعات، گازها و بخارهای

مخترقه هستند، به کار نگیرید. ابزارهای برقی

چرقههایی ایجاد میکنند که میتوانند باعث آتش

گرفتن گرد و غبارهای موجود در هوا شوند.

◀ هنگام کار با ابزار برقی، کودکان و سایر

افراد را از دستگاه دور نگه دارید. در

صورتیکه حواس شما پرت شود، ممکن است

کنترل دستگاه از دست شما خارج شود.

ایمنی الکتریکی

◀ دوشاخه ابزار برقی باید با پریز برق تناسب

داشته باشد. هیچگونه تغییری در دوشاخه

ایجاد نکنید. مبدل دوشاخه نباید همراه با

ابزار برقی دارای اتصال زمین استفاده شود.

دوشاخههای اصل و تغییر داده نشده و پریزهای

مناسب، خطر برق گرفتگی را کاهش میدهند.

◀ از تماس بدنی با قطعات متصل به سیم

اتصال زمین مانند لوله، شوفاژ، اجاق برقی و

یخچال خودداری کنید. در صورت تماس بدنی با

سطوح و قطعات دارای اتصال به زمین و همچنین

تماس شما با زمین، خطر برق گرفتگی افزایش

می یابد.

◀ ابزارهای برقی را در معرض باران و رطوبت

قرار ندهید. نفوذ آب به ابزار برقی، خطر شوک

الکتریکی را افزایش میدهد.

◀ از سیم دستگاه برای مقاصد دیگر استفاده

نکنید. هرگز برای حمل ابزار برقی، کشیدن آن

یا خارج کردن دوشاخه از سیم دستگاه

استفاده نکنید. کابل دستگاه را از حرارت،

روغن، لیبهای تیز یا قطعات متحرک دور نگه

دارید. کابلهای آسیب دیده و یا گره خورده خطر

شوک الکتریکی را افزایش میدهند.

◀ هنگام استفاده از ابزار برقی در محیطهای

باز، تنها از کابل رابطی استفاده کنید که برای

محیط باز نیز مناسب باشد. کابل های رابط

مناسب برای محیط باز، خطر برق گرفتگی را کم می کنند.

◀ در صورت لزوم کار با ابزار برقی در محیط و

اماکن مرطوب، باید از یک کلید حفاظتی

جریان خطا و نشستی زمین (کلید قطع کننده

اتصال با زمین) استفاده کنید. استفاده از

کلید حفاظتی جریان خطا و نشستی زمین خطر برق

گرفتگی را کاهش می دهد.

رعایت ایمنی اشخاص

◀ حواس خود را خوب جمع کنید، به کار خود

دقت کنید و با فکر و هوشیاری کامل با ابزار

برقی کار کنید. در صورت خستگی و یا در

صورتی که مواد مخدر، الکل و دارو استفاده

کردهاید، با ابزار برقی کار نکنید. یک لحظه بی

توجهی هنگام کار با ابزار برقی، میتواند جرات

های شدیدی به همراه داشته باشد.

◀ از تجهیزات ایمنی شخصی استفاده کنید.

همواره از عینک ایمنی استفاده نمایید.

استفاده از تجهیزات ایمنی مانند ماسک ضد گرد و

غبار، کفشهای ایمنی ضد لغزش، کلاه ایمنی و

گوشی محافظ متناسب با نوع کار با ابزار برقی،

خطر مجروح شدن را کاهش میدهد.

◀ مواظب باشید که ابزار برقی بطور ناخواسته

بکار نیفتد. قبل از وارد کردن دوشاخه

دستگاه در پریز برق، اتصال آن به باتری،

برداشتن آن و یا حمل دستگاه، باید دقت

کنید که ابزار برقی خاموش باشد. در صورتی

که هنگام حمل دستگاه انگشت شما روی دکمه

قطع و وصل باشد و یا دستگاه را در حالت روشن

به برق بزنید، ممکن است سوانع کاری پیش آید.

◀ قبل از روشن کردن ابزار برقی، همه ابزارهای

تنظیم کننده و آچارها را از روی دستگاه

بردارید. ابزار و آچارهایی که روی بخش های

چرخنده دستگاه قرار دارند، میتوانند باعث ایجاد

جرات شوند.

◀ وضعیت بدن شما باید در حالت عادی قرار

داشته باشد. برای کار جای مطمئنی برای

خود انتخاب کرده و تعادل خود را همواره

حفظ کنید. به این ترتیب میتوانید ابزار برقی را در

وضعتهای غیر منظره بهتر تحت کنترل داشته

باشید.

◀ لباس مناسب بپوشید. از پوشیدن لباسهای

گشاد و حمل زینت آلات خودداری کنید.

موها و لباس خود را از بخشهای در حال

چرخش دستگاه دور نگه دارید. لباسهای

گشاد، موی بلند و زینت آلات ممکن است در

قسمتهای در حال چرخش دستگاه گیر کنند.

◀ در صورتی که تجهیزاتی برای اتصال وسائل

مکش گرد و غبار و یا وسیله جمع کننده گرد

و غبار ارائه شده است، باید مطمئن شوید

که این وسائل درست نصب و استفاده

می شوند. استفاده از وسائل مکش گرد و غبار

مصونیت شما را در برابر گرد و غبار زیادتیر میکند.

◀ آشنایی با ابزار به دلیل کار کردن زیاد با آن

نباید باعث سهل انگاری شما و نادیده گرفتن

اصول ایمنی شود. بی دقتی ممکن است باعث

بروز جراحاتی در عرض کسری از ثانیه شود.

- شوند. ایجاد اتصالی بین دو قطب باتری (ترمینالهای باتری) میتواند باعث سوختگی و ایجاد حریق شود.
- استفاده بی رویه از باتری میتواند باعث خروج مایعات از آن شود؛ از هر گونه تماس با این مایعات خودداری کنید. در صورت تماس اتفاقی با آن، دست خود و یا محل تماس را با آب بشوئید. در صورت آلوده شدن چشم با این مایع، باید به پزشک مراجعه کنید. مایع خارج شده از باتری میتواند باعث التهاب پوست و سوختگی شود.
- هرگز از باتری یا ابزار آسیب دیده یا دست کاری شده استفاده نکنید. باتریهای آسیب دیده ممکن است کارکرد غیر منتظرهای داشته باشند و منجر به آتش سوزی، انفجار یا جراحت شوند.
- باتری یا ابزار را در معرض آتش یا دمای زیاد قرار ندهید. قرار گرفتن در معرض آتش یا دمای بالاتر از 130 درجه سانتیگراد میتواند باعث انفجار شود.
- همه راهنماییهای مربوط به شارژ را رعایت کنید و باتری یا ابزار را خارج از محدوده دمای تعریف شده در دستورات شارژ نکنید. شارژ کردن نادرست یا در دمای خارج از محدوده تعریف شده ممکن است به باتری صدمه بزند و خطر آتش سوزی را افزایش دهد.
- سرویس**
- برای تعمیر ابزار برقی فقط به متخصصین حرفهای رجوع کنید و از قطعات یدکی اصل استفاده نمایید. این باعث خواهد شد که ایمنی دستگاه شما تضمین گردد.
- هرگز باتریهای آسیب دیده را تعمیر نکنید. باتری باید تنها توسط متخصصین مجاز شرکت تعمیر شوند.
- نکات ایمنی در رابطه با اهره های عمود بر**
- چنانچه بسته به نوع کار، امکان تماس متعلقات برش با کابلهای برق غیر قابل رؤیت ساختمان وجود داشته باشد، بایستی ابزار برقی را از محل دسته و سطوح عایق دار آن در دست بگیرید. تماس متعلقات برش با سیم و کابلی که هادی جریان برق است، می تواند جریان برق را به بخشهای فلزی دستگاه نیز انتقال دهد و باعث برق گرفتگی شود.
- جهت ایمن و تثبیت کردن قطعه کار از گیره را یا سایر راههای تثبیت قطعه کار استفاده کنید. نگه داشتن قطعه کار با دست یا تکیه دادن آن به بدن باعث بی ثباتی آن و از دست دادن کنترل روی آن می گردد.
- دستهایتان را از اطراف محدوده ارهکاری دور نگاهدارید. دست خود را به قسمت زیر قطعه کار نزدیک نکنید. تماس با تیغه اهره باعث جراحت خواهد شد.
- ابزار برقی را تنها در حال روشن بودن به طرف قطعه کار برانید. در غیر اینصورت ممکن است ابزار روی دستگاه در قطعه کار گیر کرده و باعث ضربه زدن (پس زدن) دستگاه شود.

- استفاده صحیح از ابزار برقی و مراقبت از آن
- از وارد کردن فشار زیاد روی دستگاه خودداری کنید. برای هر کاری، از ابزار برقی مناسب با آن استفاده کنید. بکار گرفتن ابزار برقی مناسب باعث میشود که بتوانید از توان دستگاه بهتر و با اطمینان بیشتر استفاده کنید.
- در صورت ایراد در کلید قطع و وصل ابزار برقی، از دستگاه استفاده نکنید. ابزار برقی که نمی توان آنها را قطع و وصل کرد، خطرناک بوده و باید تعمیر شوند.
- قبل از تنظیم ابزار برقی، تعویض متعلقات و یا کنار گذاشتن آن، دوشاخه را از برق بکشید و یا باتری آنرا خارج کنید. رعایت این اقدامات پیشگیری ایمنی از راه افتادن ناخواسته ابزار برقی جلوگیری می کند.
- ابزار برقی را در صورت عدم استفاده، از دسترس کودکان دور نگه دارید و اجازه ندهید که افراد ناوارد و یا اشخاصی که این دفترچه راهنما را نخواندهاند، با این دستگاه کار کنند. قرار گرفتن ابزار برقی در دست افراد ناوارد و بی تجربه خطرناک است.
- از ابزار برقی و متعلقات خوب مراقبت کنید. مواظب باشید که قسمت های متحرک دستگاه خوب کار کرده و گیر نکنند. همچنین دقت کنید که قطعات ابزار برقی شکسته و یا آسیب دیده نباشند. قطعات آسیب دیده را قبل از شروع به کار تعمیر کنید. علت بسیاری از سوانح کاری، عدم مراقبت کامل از ابزارهای برقی می باشد.
- ابزار برش را تیز و تمیز نگه دارید. ابزار برشی که خوب مراقبت شده و از لبه های تیز برخوردار است، کمتر در قطعه کار گیر کرده و بهتر قابل هدایت است.
- ابزار برقی، متعلقات، متهای دستگاه و غیره را مطابق دستورات این جزوه راهنما به کار گیرید و به شرایط کاری و نوع کار نیز توجه داشته باشید. استفاده از ابزار برقی برای عملیاتی به جز مقاصد در نظر گرفته شده، میتواند به بروز شرایط خطرناک منجر شود.
- دستها و سطوح عایق را همواره خشک، تمیز و عاری از روغن و گریس نگه دارید. دسته های لغزنده مانع ایمنی و کنترل در کار در شرایط غیر منتظره هستند.
- مراقبت و طرز استفاده از ابزارهای شارژی**
- باتریها را منحصراً توسط شارژرهایی که توسط سازنده توصیه شدهاند، شارژ کنید. در صورتی که برای شارژ باتری، آنرا در شارژری قرار دهید که برای آن باتری ساخته نشده است، خطر آتش سوزی وجود دارد.
- در ابزارهای برقی فقط از باتریهایی استفاده کنید که برای آن نوع ابزار برقی در نظر گرفته شدهاند. استفاده از باتریهای مترقیه میتواند منجر به بروز جراحت و حریق گردد.
- در صورت عدم استفاده از باتری باید آنرا از گیره های فلزی، سکه، کلید، میخ، پیچ و دیگر وسائل کوچک فلزی دور نگه دارید، زیرا این وسائل ممکن باعث ایجاد اتصالی

باتری را در برابر حرارت، از جمله در برابر تابش مداوم خورشید و همچنین در برابر آتش، آلودگی، آب و رطوبت محفوظ بدارید. خطر اتصالی و انفجار وجود دارد.



توجه داشته باشید که صفحه پایه هنگام اره کردن بطور مطمئن روی قطعه قرار گیرد. اگر تیغه اره در قطعه کار گیر کند، ممکن است بشکند و یا باعث ضربه برگشتی (پس زدن) دستگاه شود.

بعد از انجام کار، ابزار برقی را خاموش کرده و تیغه اره را هنگامی از داخل برش قطعه خارج کنید که دستگاه کاملاً متوقف شده باشد. بدین ترتیب از ضربه زدن (پس زدن) دستگاه جلوگیری بعمل می آید و میتوانید ابزار برقی را بطور مطمئن کنار بگذارید.

قبل از کنار گذاشتن ابزار برقی صبر کنید تا دستگاه بطور کامل از کار و حرکت بایستد. ابزار ممکن است به قطعه کار گیر کرده و کنترل ابزار برقی از دست شما خارج شود.

تنها از تیغه اره‌های سالم و بی نقص استفاده کنید. تیغه اره‌های تاب دار و کند ممکن است بشکنند، برش را تمث تأثیر منفی قرار دهند یا منجر به پس زدن شوند.

بعد از خاموش کردن دستگاه، تیغه اره را با وارد آوردن فشار جانبی به آن، متوقف نکنید. تیغه اره ممکن است آسیب دیده، بشکند و یا باعث پس زدن دستگاه شود.

از ابزار برقی فقط به همراه صفحه پایه استفاده کنید. در صورت کار با ابزار بدون صفحه پایه، این خطر وجود دارد که نتوانید ابزار برقی را کنترل کنید.

برای پیدا کردن لوله ها و سیم های پنهان موجود در ساختمان و محدوده کار، از یک دستگاه ردیاب مخصوص برای یافتن لوله ها و سیمهای تأسیسات استفاده کنید و یا با شرکت های کارهای تأسیسات ساختمان و خدمات مربوطه تماس بگیرید. تماس با کابل و سیمهای برق ممکن است باعث آتشسوزی و یا برق گرفتگی شود. ایراد و آسیب دیدگی لوله گاز میتواند باعث انفجار شود. سوراخ شدن لوله آب باعث ایجاد خسارت میشود.

در صورتیکه باتری آسیب دیده باشد و یا از آن بطور بی رویه استفاده شود، ممکن است از باتری بخارهایی بلند شود. باتری ممکن است آتش بگیرد یا منفجر شود. در این حالت هوای محیط را تازه کنید؛ اگر احساس ناراحتی کردید، به پزشک مراجعه نمایید. استنشاق این بخارها ممکن است به مجاری تنفسی شما آسیب برساند.

باتری را باز نکنید. خطر اتصال کوتاه وجود دارد. بوسیله ی اشیاء تیز مانند میخ یا پیچگوشتی یا تأثیر نیروی خارجی ممکن است باتری آسیب ببیند. ممکن است اتصال داخلی رخ دهد و باتری آتش گیرد، دود کند، منفجر شود یا بیش از حد داغ گردد.

از باتری قابل شارژ فقط در محصولات سازنده استفاده کنید. فقط در این صورت از باتری در برابر بار اضافی خطرناک محافظت می شود.

توضیحات محصول و کارکرد

همه دستورات ایمنی و راهنمایها را بخوانید. اشتباهات ناشی از عدم رعایت این دستورات ایمنی ممکن است باعث برقگرفتگی، سوختگی و یا سایر جراحات های شدید شود.



به تصویرهای واقع در بخشهای اول دفترچه راهنما توجه کنید.

موارد استفاده از دستگاه

این ابزار برقی برای برش روی سطوح مستحکم و برش قطعات چوبی، مواد پلاستیکی، فلزات، صفحات سرامیکی، لاستیکی و لمینت/HPL (لمینت تحت فشار بالا) در نظر گرفته شده است. برای برش های مستقیم و منحنی با زاویه مورب تا 45° در نظر گرفته شده است. به پیشنهادات ارائه شده در مورد تیغه اره توجه کنید.

اجزاء دستگاه

شماره گذاری تصاویر اجزاء دستگاه بر اساس شکل ابزار برقی در صفحه تصاویر است.

- (1) چرخک تنظیم برای انتخاب کورس حرکت
- (2) قفل ایمنی کلید روشن/خاموش
- (3) کلید روشن/خاموش
- (4) آچار آلن
- (5) دکمه آزادسازی باتری قابل شارژ^(a)
- (6) باتری قابل شارژ^(a)
- (7) دسته (دارای روکش عایق)
- (8) اهرم تنظیم حرکت پاندولی
- (9) صفحه پایه
- (10) تیغه اره^(a)
- (11) حفاظ ایمنی در برابر تماس با تیغه اره
- (12) قرقره راهنما
- (13) نگهدارنده تیغه اره
- (14) چراغ کار
- (15) صفحه محافظ تیغه و تراشه
- (16) پوشش برای دهانه مکش^(a)
- (17) لوله اتصال به دستگاه مکش^(a)
- (18) شیلنگ مکش^(a)
- (19) پیچ صفحه پایه
- (20) درجه بندی زاویه مورب
- (21) راهنمای خط کش راهنمای موازی
- (22) پیچ تثبیت خط کش راهنمای موازی^(a)
- (23) خط کش راهنمای موازی با گرد بُر^(a)

(24) نوک مرکز گرد بُر^(a)

(a) کلیه متعلقاتی که در تصویر و یا در متن آمده است، بطور معمول همراه دستگاه ارائه نمیشود. لیست کامل متعلقات را در برنامه متعلقات ما می یابید.

نکته: باتری های قابل شارژ لیتیوم یونی به دلیل قوانین حمل و نقل بین المللی به صورت نیمه شارژ تمویل داده می شوند. برای دست یافتن به توان کامل باتری قابل شارژ، قبل از به کارگیری آن برای اولین بار، باتری را به طور کامل شارژ کنید.

نحوه قرار دادن باتری قابل شارژ

باتری شارژ شده را به داخل محفظه باتری قابل شارژ برانید تا جا بیفتد.

نحوه برداشتن باتری قابل شارژ

برای برداشتن باتری قابل شارژ، دکمه های آزادسازی باتری را فشار دهید و آن را خارج کنید. **هنگام انجام این کار از اعمال فشار خودداری کنید.**

باتری قابل شارژ دارای 2 مرحله قفل می باشد که مانع از بیرون افتادن باتری قابل شارژ در اثر فشار ناخواسته روی دکمه آزادسازی باتری می شود. تا زمانی که باتری قابل شارژ داخل ابزار برقی قرار داشته باشد، توسط یک فنر در موقعیت خود نگه داشته می شود.

نشانگر وضعیت شارژ باتری

نکته: هر نوع باتری قابل شارژ دارای نشانگر میزان شارژ نیست.

چراغهای سبز LED نشانگر وضعیت شارژ باتری، وضعیت شارژ باتری را نشان میدهند. به دلایل ایمنی، فراخوانی وضعیت شارژ باتری تنها در حالت توقف ابزار برقی ممکن است.

دکمه را جهت پدیدار شدن نشانگر وضعیت شارژ یا وضعیت شارژ فشار دهید. این کار هنگامی که باتری برداشته شده باشد نیز ممکن است.

چنانچه پس از فشردن دکمه نشانگر وضعیت شارژ هیچ LED روشن نشود، باتری خراب است و باید تعویض گردد.

نوع باتری GBA 18V...



ظرفیت	LED
3 عدد چراغ سبز ممتد	100-60 %
2 عدد چراغ سبز ممتد	60-30 %
1 عدد چراغ سبز ممتد	30-5 %
1 عدد چراغ سبز چشمک زن	5-0 %

نوع باتری ProCORE18V...



ظرفیت	LED
5 عدد چراغ سبز ممتد	100-80 %
4 عدد چراغ سبز ممتد	80-60 %
3 عدد چراغ سبز ممتد	60-40 %
2 عدد چراغ سبز ممتد	40-20 %

مشخصات فنی

اره عمود بُر شارژی GST 183-LI	
3 601 EB7 0..	شماره فنی
18	ولتاژ نامی V=
0-3300	سرعت برش در حالت بدون بار ^(An) min ⁻¹
20	کورس حرکت mm
	حداکثر عمق برش
95	- در چوب mm
15	- در آلومینیوم mm
8	- در فولاد (غیرآلیاژی) mm
45	حداکثر زاویه برش (چپ/راست) °
^(B) 2,0-3,0	وزن مطابق استاندارد EPTA-Procedure 01:2014 kg
0 ... +35	دمای توصیه شده محیط هنگام شارژ °C
-20 ... +50	دمای مجاز محیط هنگام کار ^(C) °C و هنگام انبار کردن
GBA 18V... ProCORE18V...	باتری های قابل شارژ سازگار
GBA 18V... ≥ 4,0 Ah ProCORE18V... ≥ 4,0 Ah	باتری های قابل شارژ توصیه شده
GAL 18... GAX 18... GAL 36...	شارژرهای توصیه شده

(A) اندازه گیری شده در دمای 20-25 °C با باتری قابل شارژ **GBA 18V 4.0Ah**.

(B) بسته به نوع باتری کاربردی

(C) توان محدود برای دمای < 0 °C

مقادیر ممکن است بسته به محصول متفاوت باشند و بستگی به شرایط استفاده و محیطی دارند. اطلاعات بیشتر را در سایت www.bosch-professional.com/wac مشاهده نمایید.

باتری قابل شارژ

Bosch ابزارهای برقی شارژی را هم بدون باتری قابل شارژ می فروشند. در بسته بندی می توانید دریابید که آیا باتری قابل شارژ در محتویات ارسالی ابزار برقی شما وجود دارد یا خیر.

شارژ کردن باتری قابل شارژ

⬅ **تنها شارژرهای ذکر شده در مشخصات فنی را بکار برید.** تنها این دستگاه های شارژ با باتری های لیتیوم-یونی (Li-Ion) ابزار برقی شما منطبق میباشند.

مخافط برش سطح (رجوع کنید به تصویر C)

حفاظ در برابر تراشه (15) می تواند از ایجاد پارگی هنگام اره کاری چوب جلوگیری کند. صفحه مخافط تیغه و تراشه را می توان تنها برای انواع خاصی از تیغه اره و فقط با یک زاویه برش 0° بکار برد. مخافط برش سطح (15) را از پایین به صفحه پایه (9) برانید.

مکش گرد، براده و تراشه

گرد و غبار موادی مانند رنگ های دارای سرب، بعضی از چوب ها، مواد معدنی و فلزات میتوانند برای سلامتی مضر باشند. دست زدن و یا تنفس کردن گرد و غبار ممکن است باعث بروز آلرژی و یا بیماری مجاری تنفسی شخص استفاده کننده و یا افرادی که در آن نزدیکی میباشند، بشود. گرد و غبارهای مخصوصی مانند گرد و غبار درخت بلوط و یا درخت راش سرطان زا هستند، بخصوص ترکیب آنها با سایر موادی که برای کار بر روی چوب (کرومات، مواد برای محافظت از چوب) بکار برده میشوند. فقط افراد متخصص مجازند با موادی که دارای آزیست میباشند کار کنند.

- حتی الامکان از یک دستگاه مکش مناسب و درخور ماده (قطعه کار) استفاده کنید.
- توجه داشته باشید که محل کار شما از تویه هوای کافی برخوردار باشد.
- توصیه میشود از ماسک تنفسی ایمنی با درجه فیلتر P2 استفاده کنید.

به قوانین و مقررات معتبر در کشور خود در رابطه با استفاده از مواد و قطعات کاری توجه کنید.

◀ از تجمع گرد و غبار در محل کار جلوگیری کنید. گرد و غبار می توانند به آسانی مشتعل شوند.

پوشش (رجوع کنید به تصویر D)

- پوشش (16) را قبل از اتصال ابزار برقی به یک مکنده، نصب کنید.
- پوشش (16) را طوری بر روی ابزار برقی قرار دهید که نگهدارنده، روی محافظ ایمنی تماس با تیغه اره (11) قفل شود.
- پوشش (16) را هنگام کار کردن بدون مکنده و همچنین برشهای مورب، از روی ابزار بردارید. برای این کار، پوشش را از محافظ تماس با تیغه (11) به سمت جلو کشیده و جدا کنید.

اتصال مکنده (رجوع کنید به تصویر E-F)

- دهانه مکنده (17) را در حفره روی صفحه پایه (9) قرار دهید.
- دقت داشته باشید که زبانههای دهانه مکنده، همانطور که در شکل E نشان داده شده، در حفره مربوطه صفحه پایه (9) قفل شود.
- یک شیلنگ مکنده (18) (متعلقات) را روی دهانه مکنده (17) متصل کنید. شیلنگ مکنده (18) را به یک دستگاه مکنده متصل کنید (متعلقات).
- تشریح نحوه اتصال مکنده های مختلف را در انتهای این دفترچه راهنما می یابید.
- برای برخورداری از مکش مناسب، در صورت امکان، مخافط برش سطح (15) را نصب کنید.

LED ظرفیت

1 عدد چراغ سبز ممتد	20-5 %
1 عدد چراغ سبز چشمک زن	5-0 %

توضیحات و تذکراتی برای نحوه بهینه کار با باتری

باتری را در برابر رطوبت و آب حفظ کنید. باتری را منحصراً در دمای بین -20 تا 50 درجه نگهداری کنید. بطور مثال باتری را در تابستان داخل اتومبیل نگذارید. گاهیگاه شیارهای تهویه باتری را بوسیله یک قلم موی یا برس کوچک نرم و خشک تمیز کنید. افت قابل توجه مدت زمان کارکرد باتری که تازه شارژ شده است، نمایانگر آن است که باتری فرسوده و مستعمل شده و باید تعویض شود. به نکات مربوط به نحوه از رده خارج کردن باتری توجه کنید.

نصب

◀ قبل از انجام هر گونه کاری با ابزار برقی از جمله سرویس، تعویض ابزار و غیره) و همچنین به هنگام حمل و نقل و یا در انبار نگهداری کردن، باتری را از داخل ابزار برقی خارج کنید. در صورت تماس اتفاقی با کلید قطع و وصل، خطر آسیب دیدگی وجود دارد.

نحوه قرار دادن/تعویض تیغه اره

◀ به هنگام مونتاژ تیغه اره یا تعویض ابزار از دستکش ایمنی استفاده کنید. ابزارها تیز هستند و ممکن است در صورت کاربری طولانی داغ شوند.

انتخاب تیغه اره

لیستی از تیغه اره های توصیه شده را در انتهای این دفترچه می یابید. تنها تیغه اره های دارای شفت (شفت T شکل) را بکار برید. تیغه اره نباید بلندتر از اندازه برش مورد نظر باشد. جهت اره کردن گوشه های تنگ از یک اره باریک استفاده کنید.

قرار دادن تیغه اره (رجوع کنید به تصویر A)

◀ قبل از قرار دادن، شفت، تیغه اره را تمیز کنید. یک شفت کثیف با اطمینان محکم نمی شود.

تیغه اره (10)، را، با قرار داشتن دندانها در جهت برش، به داخل نگهدارنده تیغه اره (13) هدایت کنید تا قفل شود.

هنگام نصب تیغه اره دقت کنید که پشت تیغه اره در داخل شیار استوانه راهنما (12) قرار گیرد.

از جا افتادن و نشست محکم تیغه اره

اطمینان حاصل کنید. چنانچه تیغه اره بطور محکم قرار نگرفته باشد، ممکن است بیرون افتاده و باعث جراحت شما شود.


خارج کردن تیغه اره (رجوع کنید به تصویر B)

نگهدارنده تیغه اره (13) را در جهت فلش به سمت بالا هدایت کنید و تیغه اره (10) را خارج کنید.

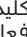
- درجه بندی (20) به موقعیت دلفواه هدایت کنید. سایر درجات زاویه برش را می توان به کمک یک نقاله تنظیم نمود.
- سپس صفحه پایه (9) را تا انتها به طرف باتری قابل شارژ هدایت کنید.
- پیچ (19) را دوباره محکم کنید.

راه اندازی و نحوه کاربرد دستگاه

نحوه روشن/خاموش کردن

برای روشن کردن ابزار برقی، ابتدا در کنار علامت  روی کلید قفل روشن خاموش (2) را فشار دهید و به این ترتیب آنرا غیر فعال کنید. سپس کلید روشن/خاموش (3) را فشار دهید و آنرا نگه دارید. چراغ کار، هنگام وارد کردن فشار کم یا فشار کامل به کلید روشن/خاموش (3) روشن میشود و امکان ایجاد نور کافی در محدود کار را، در صورت نامطلوب بودن نور محیط، فراهم میسازد.

◀ بطور مستقیم به لامپ کار نگاه نکنید چون ممکن است چشمان شما را ناراحت بکند.

برای خاموش کردن ابزار برقی، کلید روشن/خاموش (3) را رها کنید. با فشار دادن قفل ایمنی کلید روشن/خاموش (2) در کنار علامت ، آن را فعال کنید.

نحوه تنظیم/انتخاب کورس حرکت

تعد ضربه ابزار برقی را می توان با فشردن دلفواه کلید قطع و وصل (3) تنظیم کرد.

فشار کم روی کلید قطع و وصل (3) تعداد ضربه کاهش مییابد. با افزایش فشار بر روی کلید قطع و وصل، تعداد ضربه افزایش می یابد.

با چرخک انتخاب تعداد ضربه (1) می توان تعدا ضربه لازم را از پیش انتخاب کرد و حتی هنگام کار تغییر داد.

تعداد و سرعت ضربه ایده آل به نوع و جنس قطعه کار و شرایط کاری بستگی دارد و با تجربه عملی بدست می آید.

کاهش تعداد ضربه (سرعت) به هنگام قرار دادن تیغه اره بر روی قطعه کار و همچنین برای اره کردن مواد پلاستیکی و آلومینیوم پیشنهاد میشود.

هنگام کار طولانی با سرعت کم ممکن است ابزار برقی بسیار گرم شود. تیغه اره را جدا کنید و بگذارید ابزار برقی جهت خنک شدن برای حدود 3 دقیقه با بیشترین سرعت کار کند.

کلاج ایمنی وابسته به دما

در صورت استفاده ی اصولی فشاری به ابزار برقی وارد نمی شود. در صورت فشار بیش از حد روی دستگاه با گذشتن از محدوده ی دمای مجاز، سرعت کم و ابزار برقی خاموش می شود. ابزار برقی هنگام شدن فشار دوباره به سرعت کامل می رسد. در صورت خاموش شدن اتوماتیک، ابزار برقی را خاموش کنید، بگذارید باتری خنک شود و دوباره آن را روشن کنید.

دستگاه مکنده باید برای قطعه کار مورد نظر مناسب باشد.

برای مکش گرد و غباری که برای سلامتی مضرند و سرطان زا هستند و یا برای مکش تراشه های خشک باید از یک دستگاه مکنده مخصوص استفاده کنید.

طرز کار با دستگاه

انواع عملکرد

◀ قبل از انجام هر گونه کاری با ابزار برقی (از جمله سرویس، متونایز ابزار و غیره) و همچنین به هنگام حمل و نقل و یا در انبار نگهداری کردن، باتری را از داخل ابزار برقی خارج کنید. در صورت تماس اتفاقی با کلید قطع و وصل، خطر آسیب دیدگی وجود دارد.

نحوه تنظیم حرکت افقی (پاندولی)

با تنظیم حرکت افقی (پاندولی) که در چهار درجه امکان پذیر است، میتوانید سرعت و توان برش و میزان ضربه، همچنین تصویر برش را بر حسب نوع قطعه کار مورد نظر تطبیق دهید.

با اهرم تنظیمکننده (8) میتوان حرکت پاندولی را حتی هنگام کار تنظیم کرد.

درجه 0	بدون حرکت افقی (پاندولی)
درجه ۱	حرکت افقی (پاندولی) کم
درجه ۱۱	حرکت افقی (پاندولی) متوسط
درجه ۱۱۱	حرکت افقی (پاندولی) سریع / بزرگ

در تجربه عملی می توانید میزان حرکت پاندولی ایده آل برای کار مورد نظر را بدست آورید. برای این منظور به این پیشنهادات توجه کنید:

- هرچه میزان حرکت پاندولی تیغه اره کمتر باشد یا حرکت نداشته باشد، لبه برش ظریف تری حاصل می گردد.
- هنگام کار روی مواد نازک (مانند ورقه ها) حرکت پاندولی را خاموش کنید.
- هنگام کار روی مواد سخت (مانند فولاد) حرکت پاندولی کم کافی است.
- هنگام کار با مواد نرم و اره کاری چوب می توانید با حداکثر حرکت پاندولی کار کنید.

نحوه تنظیم زاویه مورب (رجوع کنید به تصویر G)

- صفحه پایه (9) را میتوان برای برشهای فارسی 45° به طرف راست یا چپ راند.
- از پوشش (16) و صفحه محافظ تیغه و تراشه (15)، هنگام برش زاویه ای نمی توان استفاده کرد.
- دهانه مکش (17) را کمی به سمت بالا فشار دهید و آن را از صفحه پایه (9) بیرون بکشید.
- پوشش (16) و صفحه محافظ تیغه و تراشه (15) را جدا کنید.
- پیچ (19) را با آچار آلن (4) شل کنید و صفحه پایه (9) را آرام به طرف تیغه اره (10) برانید.
- برای تنظیم دقیق زاویه مورب، صفحه پایه در سمت راست و چپ مجهز به نقاط جایگیری 0° و 45° میباشد. صفحه پایه (9) را مطابق با

راهنماییهای عملی

- ◀ قبل از انجام هر گونه کاری با ابزار برقی (از جمله سرویس، تعویض ابزار و غیره) و همچنین به هنگام حمل و نقل و یا در انبار نگهداری کردن، باتری را از داخل ابزار برقی خارج کنید. در صورت تماس اتفاقی با کلید قطع و وصل، خطر آسیب دیدگی وجود دارد.
- ◀ در صورت بلوکه شدن تیغه اره، ابزار برقی را فوراً خاموش کنید.

- ◀ جهت کار روی قطعه های کوچک و باریک همواره از یک سطح کار ثابت استفاده کنید.

قبل از ارهکاری روی چوب، صفحات نئوپان، مصالح ساختمانی و غیره، آنها را نسبت به وجود اجسام خارجی مثل پیچ یا مانده آنها کنترل و تر صورت نیاز دفع کنید.

اره های عمود بُر عمدتاً برای برش های منحنی طراحی شده اند. همچنین متعلقاتی در محدوده Bosch وجود دارد که امکان برش های مستقیم یا دایره ای را فراهم می کند (بسته به مدل اره عمود بُر، مانند خط کش راهنمای موازی، ریل راهنما یا برش دایره ای).

اره های عمود بُر دستی معمولاً تمایل به "کج بُری" دارند، یعنی ممکن است تحت شرایطی دقت در زاویه و برش حاصل نشود. عوامل مؤثر بر دقت عبارتند از ضخامت تیغه اره، طول برش و همچنین چگالی مواد و ضخامت قطعه کار.

از این رو باید همیشه با برش های آزمایشی بررسی کنید که آیا نتیجه برش سیستم انتخاب شده با نیازهای برنامه شما مطابقت دارد یا خیر.

ارهکاری عمقی (رجوع کنید به تصویر H)

- ◀ ارهکاری عمقی برای کار روی موادی مانند چوب، سقف کاذب و مانند آن است!

برای ایجاد برش های عمیق جیبی فقط از تیغه اره کوتاه استفاده کنید. ارهکاری عمقی تنها با زاویه برش فارسی 0° ممکن است.

ابزار برقی را از لبه جلویی صفحه پایه (9) روی قطعهکار قرار دهید بدون اینکه تیغه اره (10) با قطعهکار تماس پیدا کند و آن را روشن کنید. در ابزارهای برقی که در آنها امکان تنظیم تعداد ضربه وجود دارد، حداکثر تعداد ضربه را انتخاب کنید. ابزار برقی را محکم به قطعه کار فشار داده و بگذارید تیغه اره به آرامی در داخل قطعه حرکت کند.

به محض اینکه صفحه پایه (9) کاملاً روی قطعهکار قرار گرفت، در امتداد خط برش دلخواه اره کنید.

خطکش راهنمای موازی را با گرد بُر (متعلقات)

برای کار با خط کش راهنمای موازی با گرد بُر (23)، ضخامت قطعه کار نباید از حداکثر 30 mm بیشتر شود.

برشهای موازی (رجوع کنید به تصویر A): پیچ تثبیت (22) را باز کنید و درجه بندی خطکش راهنمای موازی را در شیار (21) صفحه پایه برانید. اندازه عرض برش مورد نظر را بر روی ضلع داخلی صفحه پایه مشخص کنید. پیچ تثبیت (22) را سفت کنید.

برشهای گرد (رجوع کنید به تصویر J): روی خط برش، بین دایره مورد ارهکاری، سوراخی ایجا کنید که برای قرار دادن تیغه اره کافی باشد. سوراخ را با یک فرز

با سوهان پرداخت کنید تا تیغه اره همسطح با خط برش قرار گیرد.

پیچ تنظیم (22) را در طرف دیگر خطکش راهنمای موازی قرار دهید. درجه بندی خطکش راهنمای موازی را در شیار (21) صفحه پایه برانید. در مرکز محل مورد برش یک سوراخ ایجاد کنید. نوک مرکز (24) را از سوراخ داخلی خطکش راهنمای موازی و در سوراخ ایجاد شده قرار دهید. اندازه شعاع برش مورد نظر را بر روی ضلع داخلی صفحه پایه مشخص کنید. پیچ تثبیت (22) را سفت کنید.

ماده خنک کننده و روغن کاری

از آنجا که فلز هنگام برش داغ میشود، باید در مسیر خط برش از ماده خنک کننده و روغن استفاده کنید.

مراقبت و سرویس

مراقبت، تعمیر و تمیز کردن دستگاه

- ◀ قبل از انجام هر گونه کاری با ابزار برقی (از جمله سرویس، تعویض ابزار و غیره) و همچنین به هنگام حمل و نقل و یا در انبار نگهداری کردن، باتری را از داخل ابزار برقی خارج کنید. در صورت تماس اتفاقی با کلید قطع و وصل، خطر آسیب دیدگی وجود دارد.

- ◀ ابزار الکتریکی و شیارهای تهویه آنرا تمیز نگاه دارید، تا ایمنی شما در کار تضمین گردد.

قسمت نگهدارنده (ابزارگیر) تیغه اره را مرتب تمیز کنید. برای این منظور تیغه اره را از داخل ابزار برقی بیرون آورید و دستگاه را بر روی یک سطح صاف و نرم کمی تکان دهید.

آلوده شدن بیش از حد ابزار برقی، میتواند باعث ایجاد اختلال در آن شود. بنابراین موادی را که گرد و غبار زیاد تولید میکنند، از زیر یا بالای سر خود اره نکنید.

در صورت مسدود شدن خروجی گرد و غبار، ابزار برقی را خاموش کنید، قسمت خروجی گرد و غبار را بردارید و گرد و غبار و تراشه را بردارید.

استوانه راهنما (12) را گاه گاه با یک قطره روغنکاری کنید.

استوانه راهنما (12) را مرتب کنترل کنید. در صورت فرسودگی باید توسط تعمیرگاه مجاز Bosch تعویض شود.

خدمات و مشاوره با مشتریان

خدمات مشتری، به سئوالات شما درباره تعمیرات، سرویس و همچنین قطعات یدکی پاسخ خواهد داد. نقشه های سه بعدی و اطلاعات مربوط به قطعات یدکی را در تارنمای زیر میابید:

www.bosch-pt.com

گروه مشاوره به مشتریان Bosch با کمال میل به سئوالات شما درباره محصولات و متعلقات پاسخ می دهند.

برای هرگونه سؤال و یا سفارش قطعات یدکی، حتماً شماره فنی 10 رقمی کالا را مطابق برچسب روی ابزار برقی اطلاع دهید.

ایران

روبرت بوش ایران - شرکت بوش تجارت پارس
میدان ونک، خیابان شهید خدای، خیابان آفتاب
ساختمان مادیان، شماره 3، طبقه سوم.
تهران 1994834571
تلفن: 9821+ 42039000

آدرس سایر دفاتر خدماتی را در ادامه بیابید:
www.bosch-pt.com/serviceaddresses

حمل دستگاه

باتری های لیتیوم یونی توصیه شده، مشمول الزامات قانون کالاهای خطرناک هستند. کاربر می تواند باتری ها را بدون استفاده از روکش در خیابان حمل کند.
در صورت ارسال توسط شخص ثالث (مانند: حمل و نقل هوایی یا زمینی) باید تمهیدات مربوط به بسته بندی و علامتگذاری مورد توجه قرار گیرد. در اینصورت باید حتما جهت آماده سازی قطعه ارسالی به کارشناس حمل کالاهای پر خطر مراجعه کرد.
باتریها را فقط در صورتی ارسال کنید که بدنه آنها آسیب ندیده باشد. اتصالات (کنتاکتهای) باز را بپوشانید و باتری را طوری بسته بندی کنید که در بسته بندی تکان نخورد. در این باره لطفاً به مقررات و آیین نامه های ملی توجه کنید.

از رده خارج کردن دستگاه

ابزارهای برقی، باتری ها، متعلقات و بسته بندی ها، باید طبق مقررات حفظ محیط زیست از رده خارج و بازیافت شوند.

ابزار برقی و باتری ها/ باتری های قابل شارژ را داخل زباله دان خانگی نیندازید!



باتریهای شارژی/قلمی: لیتیوم-یونی:

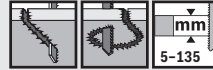
لطفاً به تذکرات بخش (رجوع کنید به «حمل دستگاه»، صفحه 74) توجه کنید.



for wood

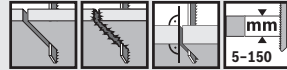
speed  **Wood**

T 144 D, ...



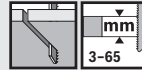
precision  **Wood**

T 308 BP, ...



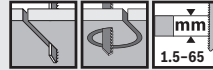
progressor  **Wood**

T 234 X, ...



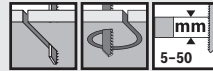
clean  **Wood**

T 101 A0, ...



extra-clean  **Wood**

T 308 B, ...

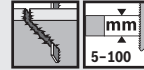




for hardwood

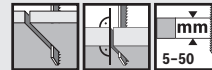
speed **HardWood**

T 144 DF, ...



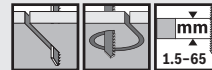
precision **HardWood**

T 308 BFP, ...



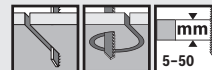
clean **HardWood**

T 101 AOF, ...



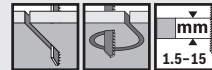
extra-clean **HardWood**

T 308 BF, ...



special **Laminate**

T 101 AOF, ...



for wood and metal

progressor **Wood+Metal**

T 345 XF, ...

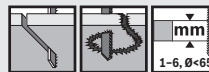




for metal

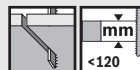
flexible  **Metal**

T 118 AF, ...



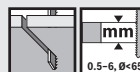
flexible  **MetalSandwich**

T 718 BF, ...



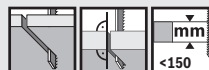
speed  **Metal**

T 121 GF, ...



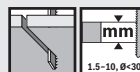
precision  **MetalSandwich**

T 1018 AFP, ...



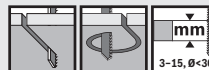
progressor  **Metal**

T 123 XF, ...



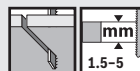
special  **Alu**

T 127 D, ...



endurance  **StainlessSteel**

T 118 AHM, ...

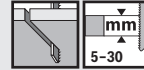




for plastics

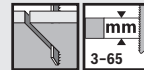
clean **for** **PP**

T 102 D, ...



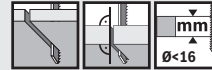
clean **for** **PVC**

T 102 H, ...



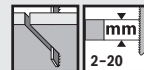
precision **for** **PVC**

T 1044 HP, ...



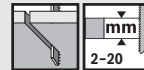
clean **for** **PMMA**

T 102 BF, ...

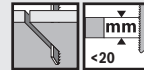


clean **for** **PC**

T 101 A, ...

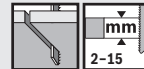


clean **for** **CarbonFiber** T 108 BHM, ...



clean **for** **HPL**

T 128 BHM, ...



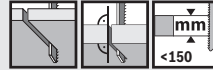
clean **for** **PlasticComposites** T 301 CHM, ...



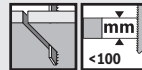


for special materials

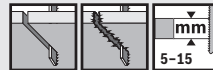
precision  **SoftMaterial T 1013 AWP, ...**



special  **SoftMaterial T 113 A, ...**



special  **Ceramic T 130 RF, ...**



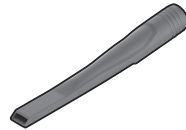
endurance  **FiberPlaster T 141 HM, ...**





2 607 010 079

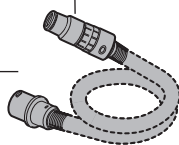
1 619 P18 654



2 608 040 289



1 619 PA7 326

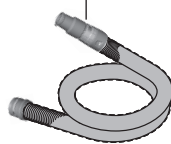


Ø 22 mm:
 2 608 000 567 (5 m)
 Ø 35 mm:
 2 608 000 565 (5 m)
 1 619 PB3 826 (3 m)



Ø 22 mm:
 2 608 000 568 (5 m)
 Ø 35 mm:
 2 608 000 566 (5 m)

2 608 000 585



Ø 35 mm:
 2 608 000 658 (1,6 m)



GAS 15 PS



GAS 12-25 PL



GAS 35 L SFC+
 GAS 35 L AFC
 GAS 35 M AFC



GAS 55 M AFC



GAS 18V-10 L

Licenses

Copyright © 2015, Infineon Technologies AG

All rights reserved.

Redistribution and use in source and binary forms, with or without modification, are permitted provided that the following conditions are met:

- Redistributions of source code must retain the above copyright notice, this list of conditions and the following disclaimer.
- Redistributions in binary form must reproduce the above copyright notice, this list of conditions and the following disclaimer in the documentation and/or other materials provided with the distribution.
- Neither the name of the copyright holders nor the names of its contributors may be used to endorse or promote products derived from this software without specific prior written permission.

THIS SOFTWARE IS PROVIDED BY THE COPYRIGHT HOLDERS AND CONTRIBUTORS "AS IS" AND ANY EXPRESS OR IMPLIED WARRANTIES, INCLUDING, BUT NOT LIMITED TO, THE IMPLIED WARRANTIES OF MERCHANTABILITY AND FITNESS FOR A PARTICULAR PURPOSE ARE DISCLAIMED. IN NO EVENT SHALL THE COPYRIGHT OWNER OR CONTRIBUTORS BE LIABLE FOR ANY DIRECT, INDIRECT, INCIDENTAL, SPECIAL, EXEMPLARY, OR CONSEQUENTIAL DAMAGES (INCLUDING, BUT NOT LIMITED TO, PROCUREMENT OF SUBSTITUTE GOODS OR SERVICES; LOSS OF USE, DATA, OR PROFITS; OR BUSINESS INTERRUPTION) HOWEVER CAUSED AND ON ANY THEORY OF LIABILITY, WHETHER IN CONTRACT, STRICT LIABILITY, OR TORT (INCLUDING NEGLIGENCE OR OTHERWISE) ARISING IN ANY WAY OUT OF THE USE OF THIS SOFTWARE, EVEN IF ADVISED OF THE POSSIBILITY OF SUCH DAMAGE.