



GBS 750 Professional

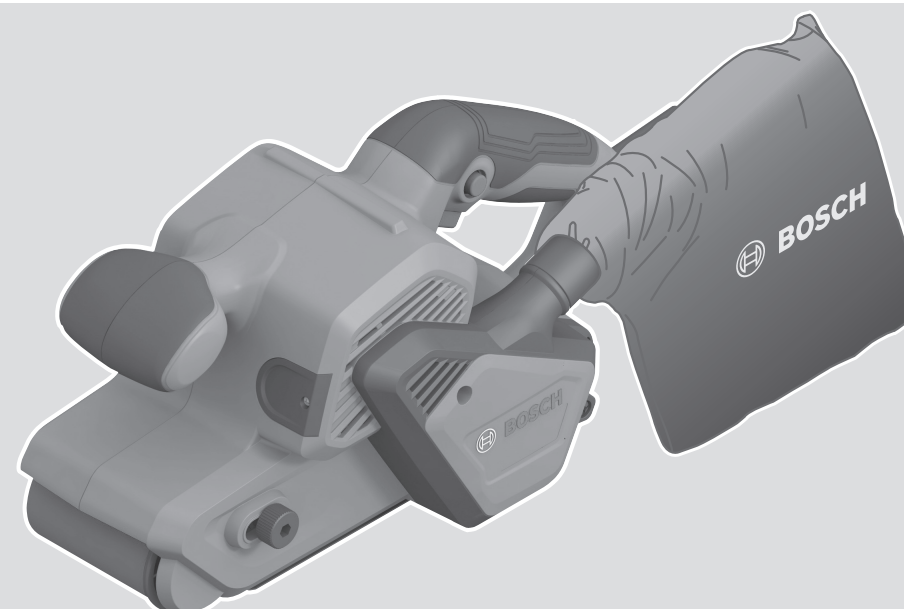
Robert Bosch Power Tools GmbH
70538 Stuttgart
GERMANY

www.bosch-pt.com

1 609 92A 96K (2024.03) 0 / 61



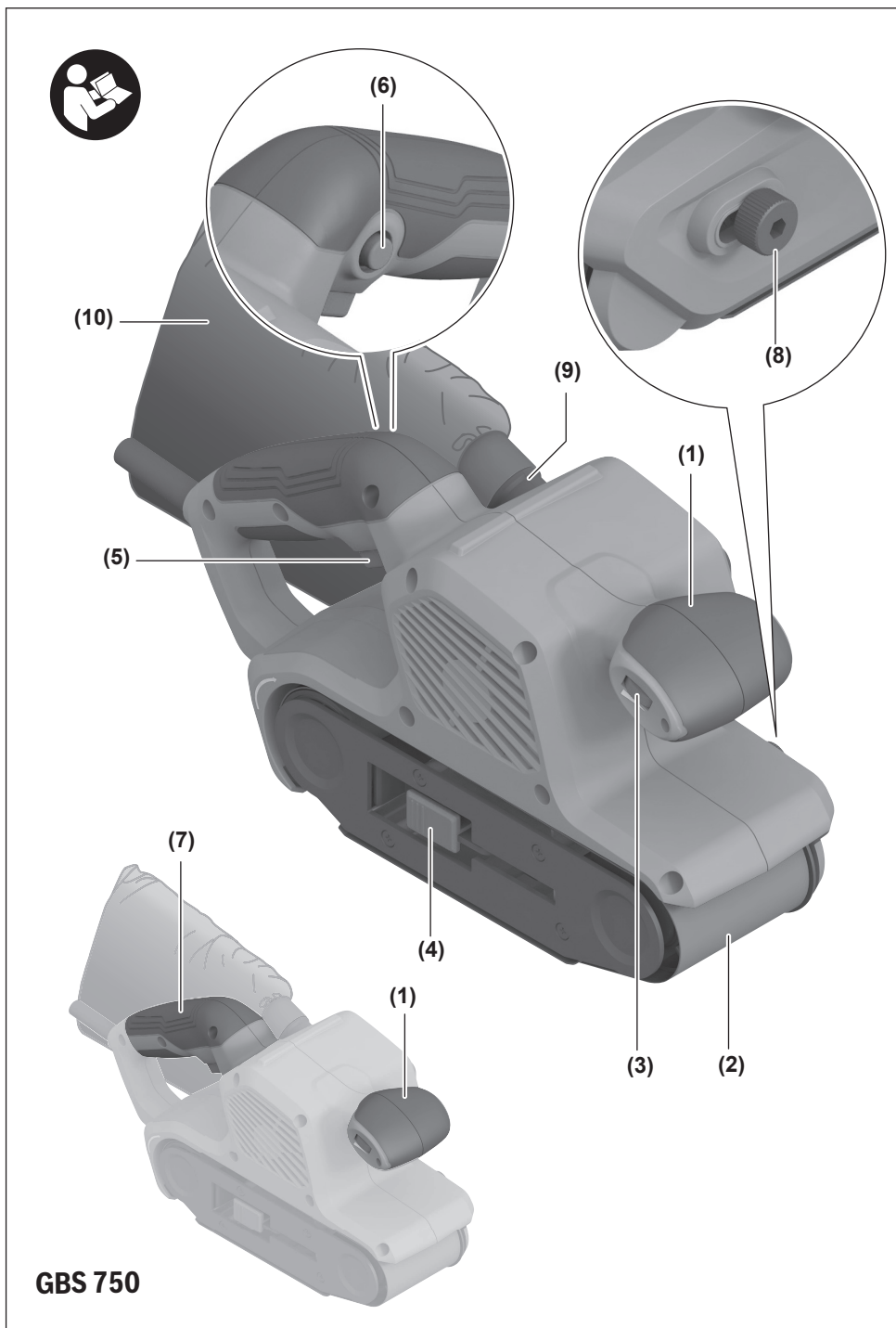
1 609 92A 96K

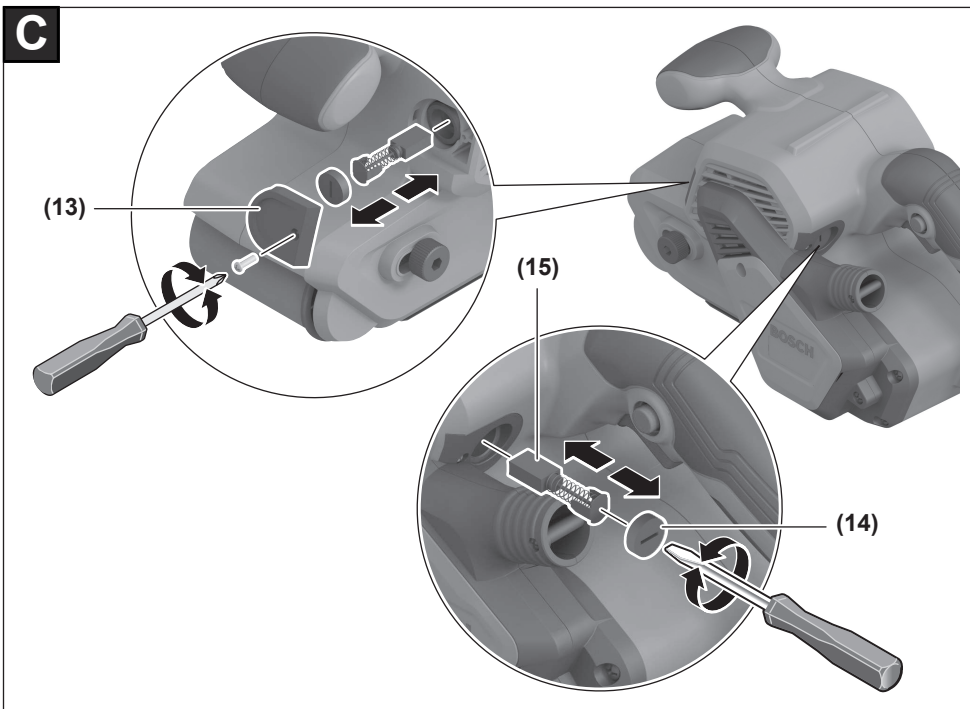
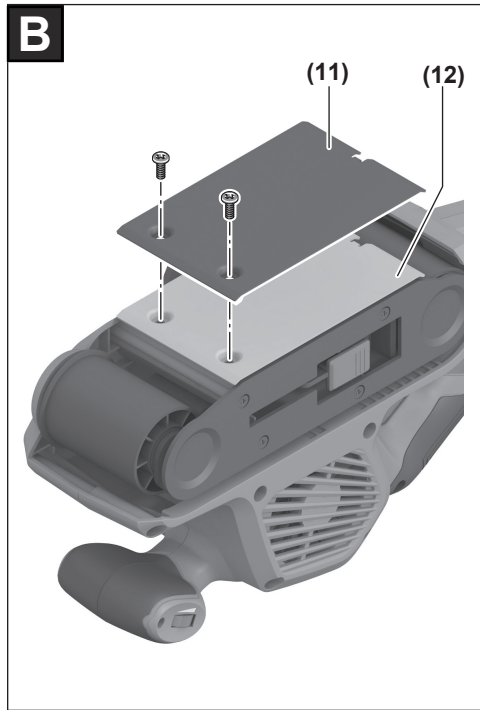
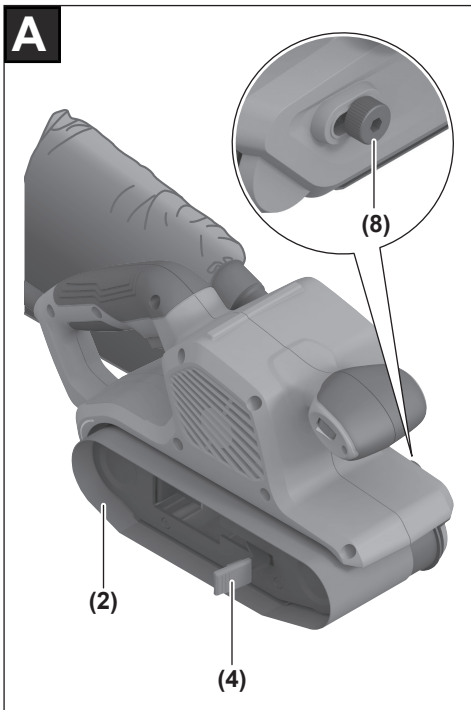


- en Original instructions
- fr Notice originale
- pt Manual original
- es Manual original
- pt Manual de instruções original
- zh 正本使用说明书
- zh 原始使用說明書
- th หนังสือคู่มือการใช้งานฉบับต้นแบบ
- id Petunjuk-Petunjuk untuk Penggunaan Orisinal
- vi Bản gốc hướng dẫn sử dụng
- ar دليل التشغيل الأصلي
- fa دفترچه راهنمای اصلی



English	Page	5
Français	Page	9
Português	Página	14
Español	Página	19
Português do Brasil	Página	24
中文	頁	28
繁體中文	頁	32
ไทย	หน้า	35
Bahasa Indonesia	Halaman	40
Tiếng Việt	Trang	44
عربي	الصفحة	50
فارسی	صفحه	55





English

Safety Instructions

General Power Tool Safety Warnings

⚠ WARNING Read all safety warnings, instructions, illustrations and specifications provided with this power tool. Failure to follow all instructions listed below may result in electric shock, fire and/or serious injury.

Save all warnings and instructions for future reference.

The term "power tool" in the warnings refers to your mains-operated (corded) power tool or battery-operated (cordless) power tool.

Work area safety

- ▶ **Keep work area clean and well lit.** Cluttered or dark areas invite accidents.
- ▶ **Do not operate power tools in explosive atmospheres, such as in the presence of flammable liquids, gases or dust.** Power tools create sparks which may ignite the dust or fumes.
- ▶ **Keep children and bystanders away while operating a power tool.** Distractions can cause you to lose control.

Electrical safety

- ▶ **Power tool plugs must match the outlet. Never modify the plug in any way. Do not use any adapter plugs with earthed (grounded) power tools.** Unmodified plugs and matching outlets will reduce risk of electric shock.
- ▶ **Avoid body contact with earthed or grounded surfaces, such as pipes, radiators, ranges and refrigerators.** There is an increased risk of electric shock if your body is earthed or grounded.
- ▶ **Do not expose power tools to rain or wet conditions.** Water entering a power tool will increase the risk of electric shock.
- ▶ **Do not abuse the cord. Never use the cord for carrying, pulling or unplugging the power tool. Keep cord away from heat, oil, sharp edges or moving parts.** Damaged or entangled cords increase the risk of electric shock.
- ▶ **When operating a power tool outdoors, use an extension cord suitable for outdoor use.** Use of a cord suitable for outdoor use reduces the risk of electric shock.
- ▶ **If operating a power tool in a damp location is unavoidable, use a residual current device (RCD) protected supply.** Use of an RCD reduces the risk of electric shock.

Personal safety

- ▶ **Stay alert, watch what you are doing and use common sense when operating a power tool. Do not use a power tool while you are tired or under the influence of drugs, alcohol or medication.** A moment of inatten-

tion while operating power tools may result in serious personal injury.

- ▶ **Use personal protective equipment. Always wear eye protection.** Protective equipment such as a dust mask, non-skid safety shoes, hard hat or hearing protection used for appropriate conditions will reduce personal injuries.
- ▶ **Prevent unintentional starting. Ensure the switch is in the off-position before connecting to power source and/or battery pack, picking up or carrying the tool.** Carrying power tools with your finger on the switch or energising power tools that have the switch on invites accidents.
- ▶ **Remove any adjusting key or wrench before turning the power tool on.** A wrench or a key left attached to a rotating part of the power tool may result in personal injury.
- ▶ **Do not overreach. Keep proper footing and balance at all times.** This enables better control of the power tool in unexpected situations.
- ▶ **Dress properly. Do not wear loose clothing or jewellery. Keep your hair and clothing away from moving parts.** Loose clothes, jewellery or long hair can be caught in moving parts.
- ▶ **If devices are provided for the connection of dust extraction and collection facilities, ensure these are connected and properly used.** Use of dust collection can reduce dust-related hazards.
- ▶ **Do not let familiarity gained from frequent use of tools allow you to become complacent and ignore tool safety principles.** A careless action can cause severe injury within a fraction of a second.

Power tool use and care

- ▶ **Do not force the power tool. Use the correct power tool for your application.** The correct power tool will do the job better and safer at the rate for which it was designed.
- ▶ **Do not use the power tool if the switch does not turn it on and off.** Any power tool that cannot be controlled with the switch is dangerous and must be repaired.
- ▶ **Disconnect the plug from the power source and/or remove the battery pack, if detachable, from the power tool before making any adjustments, changing accessories, or storing power tools.** Such preventive safety measures reduce the risk of starting the power tool accidentally.
- ▶ **Store idle power tools out of the reach of children and do not allow persons unfamiliar with the power tool or these instructions to operate the power tool.** Power tools are dangerous in the hands of untrained users.
- ▶ **Maintain power tools and accessories. Check for misalignment or binding of moving parts, breakage of parts and any other condition that may affect the power tool's operation. If damaged, have the power tool repaired before use.** Many accidents are caused by poorly maintained power tools.

- ▶ **Keep cutting tools sharp and clean.** Properly maintained cutting tools with sharp cutting edges are less likely to bind and are easier to control.
- ▶ **Use the power tool, accessories and tool bits etc. in accordance with these instructions, taking into account the working conditions and the work to be performed.** Use of the power tool for operations different from those intended could result in a hazardous situation.
- ▶ **Keep handles and grasping surfaces dry, clean and free from oil and grease.** Slippery handles and grasping surfaces do not allow for safe handling and control of the tool in unexpected situations.

Service

- ▶ **Have your power tool serviced by a qualified repair person using only identical replacement parts.** This will ensure that the safety of the power tool is maintained.

Safety Warnings for Sander

- ▶ **Hold the power tool by insulated gripping surfaces, because the sanding surface may contact its own cord.** Cutting a "live" wire may make exposed metal parts of the power tool "live" and could give the operator an electric shock.
- ▶ **Only use the power tool for dry sanding.** Water entering a power tool will increase the risk of electric shock.
- ▶ **Switch the power tool on before making contact with the workpiece and only switch the power tool off after you have removed it from the workpiece.** The power tool can move suddenly.
- ▶ **Never touch the sanding belt while it is running.** This poses a risk of injury.
- ▶ **Wear protective gloves and never touch the sanding belt while it is running.** This poses a risk of injury.
- ▶ **Ensure that no persons are at risk due to flying sparks. Remove combustible materials from the surrounding area.** Flying sparks are created when sanding metals.
- ▶ **Do not use any worn, torn or severely clogged sanding belts.** Damaged sanding belts can tear, fly off and injure someone.
- ▶ **Warning: Danger of fire! Avoid overheating the workpiece and the sander. Always empty the dust collector before taking a break from work.** Sanding dust in the dust bag, microfilter, paper bag (or in the filter bag or vacuum cleaner filter) can spontaneously combust under certain conditions, for example if flying sparks are created when sanding metals. This risk is increased if the sanding dust is mixed with paint or polyurethane residue or with other chemical substances and if the workpiece is hot as a result of prolonged work.

Technical Data

Belt sander	GBS 750	GBS 750
Article number	3 601 BC1 0E0 3 601 BC1 0H0	3 601 BC1 0D0 3 601 BC1 0G0

- ▶ **Clean the air vents on your power tool regularly.** The motor's fan will draw the dust inside the housing and excessive accumulation of powdered metal may cause electrical hazards.
- ▶ **Secure the workpiece.** A workpiece clamped with clamping devices or in a vice is held more secure than by hand.
- ▶ **Always wait until the power tool has come to a complete stop before placing it down.** The application tool can jam and cause you to lose control of the power tool.
- ▶ **Hold the power tool firmly with both hands and make sure you have a stable footing.** The power tool can be more securely guided with both hands.

Product Description and Specifications



Read all the safety and general instructions.

Failure to observe the safety and general instructions may result in electric shock, fire and/or serious injury.

Please observe the illustrations at the beginning of this operating manual.

Intended Use

The power tool is intended for dry surface sanding of wood, metal and varnished surfaces with a high material removal rate.

Product features

The numbering of the product features refers to the diagram of the power tool on the graphics page.

- (1) Auxiliary handle (insulated gripping surface)
- (2) Sanding belt
- (3) Belt speed preselection thumbwheel
- (4) Clamping lever for sanding belt
- (5) On/off switch
- (6) Lock-on button for on/off switch
- (7) Handle (insulated gripping surface)
- (8) Adjustment button for belt running
- (9) Extraction outlet
- (10) Dust bag
- (11) Metal plate
- (12) Wool felt
- (13) Additional cover for front carbon brush holder
- (14) Cover for carbon brush holder (2 x)
- (15) Carbon brush holder (2 x) with carbon brush

Belt sander	GBS 750		GBS 750
		3 601 BC1 0K0 3 601 BC1 0L0	
Rated voltage	V	230	127
Rated power input	W	850	850
No-load belt speed	m/min	200–420	200–420
Sanding belt length	mm	533	533
Sanding belt width	mm	75	75
Belt speed preselection		●	●
Self-generated/external dust extraction connection		●	●
Weight	kg	3.6	3.6
Protection class		□ / II	□ / II

The specifications apply to the specified rated voltages. These specifications may vary at different voltages and in country-specific models.

Values can vary depending on the product, scope of application and environmental conditions. To find out more, visit www.bosch-professional.com/wac.

Noise/Vibration Information

Noise emission values determined according to **EN 62841-2-4**.

Typically, the A-weighted noise level of the power tool is: Sound pressure level **91** dB(A); sound power level **99** dB(A). Uncertainty K = **3** dB.

Wear hearing protection!

Vibration total values a_{th} (tri-ax vector sum) and uncertainty K determined according to **EN 62841-2-4**:

$$a_{th} = 2.5 \text{ m/s}^2, K = 1.5 \text{ m/s}^2.$$

The vibration level and noise emission value given in these instructions have been measured in accordance with a standardised measuring procedure and may be used to compare power tools. They may also be used for a preliminary estimation of vibration and noise emissions.

The stated vibration level and noise emission value represent the main applications of the power tool. However, if the power tool is used for other applications, with different accessories or is poorly maintained, the vibration level and noise emission value may differ. This may significantly increase the vibration and noise emissions over the total working period.

To estimate vibration and noise emissions accurately, the times when the tool is switched off or when it is running but not actually being used should also be taken into account. This may significantly reduce vibration and noise emissions over the total working period.

Implement additional safety measures to protect the operator from the effects of vibration, such as servicing the power tool and accessories, keeping their hands warm, and organising workflows correctly.

Assembly

- **Pull the plug out of the socket before carrying out any work on the power tool.**

Dust/Chip Extraction

The dust from materials such as lead paint, some types of wood, minerals and metal can be harmful to human health. Touching or breathing in this dust can trigger allergic reactions and/or cause respiratory illnesses in the user or in people in the near vicinity.

Certain dusts, such as oak or beech dust, are classified as carcinogenic, especially in conjunction with wood treatment additives (chromate, wood preservative). Materials containing asbestos may only be machined by specialists.

- Use a dust extraction system that is suitable for the material wherever possible.
- Provide good ventilation at the workplace.
- It is advisable to wear a P2 filter class breathing mask.

The regulations on the material being machined that apply in the country of use must be observed.

- **Avoid dust accumulation at the workplace.** Dust can easily ignite.

Self-generated dust extraction with dust bag

A dust bag (accessory) **(10)** can be used for smaller jobs. Firmly attach the dust bag nozzle to the extraction outlet **(9)**. Empty the dust bag **(10)** at regular intervals to maintain optimum dust collection.

External dust extraction

Fit a dust extraction hose onto the extraction outlet **(9)**. Connect the dust extraction hose to an extractor. You will find an overview of connecting to various dust extractors at the end of these operating instructions.

The dust extractor must be suitable for the material being worked.

When extracting dry dust that is especially detrimental to health or carcinogenic, use a special dust extractor.

Changing the sanding belt (see figure A)

- Swivel the clamping lever **(4)** all the way out. The sanding belt **(2)** is now slack and can be removed.

- Fit the new sanding belt **(2)**. Ensure that the arrow directions on the inner surface of the sanding belt and the housing of the power tool match.
- Swivel the clamping lever **(4)** back to the starting position.
- Set the sanding belt **(2)** using the adjustment button **(8)** so that it lies stable in the middle of the belt running.

Ensure that the sanding belt **(2)** does not grind against the housing. Check the belt running regularly and, if necessary, readjust it using the adjustment button **(8)**.

Selecting a sanding belt

Different sanding belts are available, depending on the material you are working with and the required surface removal rate:

	Grit
red:Wood	40–320
For processing all wood and wood-based materials	
For pre-sanding, e.g. of rough and uneven beams and boards	Coarse 40, 60
For surface sanding and levelling of slight irregularities	Medium 80, 100, 120, 150
For finish-sanding and fine sanding of hardwoods	Fine 180, 220, 280, 320

Operation

Starting Operation

- ▶ **Pay attention to the mains voltage.** The voltage of the power source must match the voltage specified on the rating plate of the power tool.
- ▶ **Products that are only sold in AUS and NZ:** Use a residual current device (RCD) with a nominal residual current of 30 mA or less.

Switching On and Off

- ▶ **Make sure that you are able to press the On/Off switch without releasing the handle.**

To **switch on** the power tool, press and hold the on/off switch **(5)**.

To **lock** the on/off switch **(5)** press and hold it while also pushing the lock-on button **(6)**.

To **switch off** the power tool, release the on/off switch **(5)**. If the on/off switch **(5)** is locked, press the switch first and then release it.

Working Advice

- ▶ **Pull the plug out of the socket before carrying out any work on the power tool.**

The material removal rate when sanding and the surface quality are primarily determined by the choice of sanding belt and the preselected belt speed. The higher the belt

speed, the higher the removal rate and the finer the sanded surface becomes.

Only sanding belts in perfect condition achieve good sanding performance and make the power tool last longer.

Apply as little contact pressure as possible while working in order to increase the service life of the sanding belts. The weight of the power tool alone is enough to ensure good sanding performance. Excessively increasing the contact pressure will not lead to increased sanding performance, rather it will cause more severe wear of the power tool and of the sanding belt.

Place the running power tool on the surface you wish to work on. Work with moderate feed and carry out sanding in parallel and overlapping with the sanding path. Sand with the grain; sanding marks that run against the grain result in bothersome sanding effects.

Especially when sanding off paint residue, the residue could merge together, resulting in smears on the workpiece surface and the sanding belt. Therefore, do not work without dust extraction.

A sanding belt that has been used to work on metal should no longer be used to work on other materials.

Use only original **Bosch**-sanding accessories.

Only ever store sanding belts hanging up and do not fold them as this makes them unusable.

The sanding frame (accessory) enables an even, adjustable material removal rate while sanding large wooden surfaces.

Maintenance and Service

Maintenance and Cleaning

- ▶ **Pull the plug out of the socket before carrying out any work on the power tool.**
- ▶ **To ensure safe and efficient operation, always keep the power tool and the ventilation slots clean.**

In order to avoid safety hazards, if the power supply cord needs to be replaced, this must be done by **Bosch** or by an after-sales service centre that is authorised to repair **Bosch** power tools.

Remove any adherent sanding dust using a brush.

Changing the Metal Plate (see figure B)

The metal plate **(11)** is screwed onto the wool felt **(12)** and facilitates an optimum sanding finish.

The metal plate **(11)** is subject to wear, relative to the intensity of usage. To replace the metal plate **(11)**, remove the sanding belt **(2)**. Unscrew the metal plate **(11)** and replace with a new one.

Once the sanding belt is replaced, adjust the belt running. (see "Changing the sanding belt (see figure A)", page 7).

Replacing the carbon brushes (see figure C)

Check the length of the carbon brushes around every 2–3 months and replace both carbon brushes if required.

Never replace only a single carbon brush!

Note: Only use carbon brushes supplied by Bosch and intended specifically for your product.

- Remove the screw on the additional cover at the front **(13)** using a cross-headed screwdriver. Remove the additional cover.
- Remove the screw on the cover **(14)** on both sides using a suitable screwdriver.
- Replace the spring-loaded carbon brushes **(15)** and screw on the covers again.

After-Sales Service and Application Service

Our after-sales service responds to your questions concerning maintenance and repair of your product as well as spare parts. You can find explosion drawings and information on spare parts at: www.bosch-pt.com

The Bosch product use advice team will be happy to help you with any questions about our products and their accessories.

In all correspondence and spare parts orders, please always include the 10-digit article number given on the nameplate of the product.

Malaysia

Robert Bosch Sdn. Bhd. (220975-V) PT/SMY
No. 8A, Jalan 13/6
46200 Petaling Jaya
Selangor
Tel.: (03) 79663194
Toll-Free: 1800 880188
Fax: (03) 79583838
E-Mail: kiathoe.chong@my.bosch.com
www.bosch-pt.com.my

You can find further service addresses at:

www.bosch-pt.com/serviceaddresses

Disposal

The power tool, accessories and packaging should be recycled in an environmentally friendly manner.



Do not dispose of power tools along with household waste.

Français

Consignes de sécurité

Avertissements de sécurité généraux pour l'outil électrique

⚠ AVERTISSEMENT

avec cet outil électrique. Ne pas suivre les instructions

Lire tous les avertissements de sécurité, les instructions, les illustrations et les spécifications fournis

énumérées ci-dessous peut provoquer un choc électrique, un incendie et/ou une blessure sérieuse.

Conserver tous les avertissements et toutes les instructions pour pouvoir s'y reporter ultérieurement.

Le terme "outil électrique" dans les avertissements fait référence à votre outil électrique alimenté par le secteur (avec cordon d'alimentation) ou votre outil électrique fonctionnant sur batterie (sans cordon d'alimentation).

Sécurité de la zone de travail

- ▶ **Conserver la zone de travail propre et bien éclairée.** Les zones en désordre ou sombres sont propices aux accidents.
- ▶ **Ne pas faire fonctionner les outils électriques en atmosphère explosive, par exemple en présence de liquides inflammables, de gaz ou de poussières.** Les outils électriques produisent des étincelles qui peuvent enflammer les poussières ou les fumées.
- ▶ **Maintenir les enfants et les personnes présentes à l'écart pendant l'utilisation de l'outil électrique.** Les distractions peuvent vous faire perdre le contrôle de l'outil.

Sécurité électrique

- ▶ **Il faut que les fiches de l'outil électrique soient adaptées au socle. Ne jamais modifier la fiche de quelque façon que ce soit. Ne pas utiliser d'adaptateurs avec des outils électriques à branchement de terre.** Des fiches non modifiées et des socles adaptés réduisent le risque de choc électrique.
- ▶ **Éviter tout contact du corps avec des surfaces reliées à la terre telles que les tuyaux, les radiateurs, les cuisinières et les réfrigérateurs.** Il existe un risque accru de choc électrique si votre corps est relié à la terre.
- ▶ **Ne pas exposer les outils électriques à la pluie ou à des conditions humides.** La pénétration d'eau à l'intérieur d'un outil électrique augmente le risque de choc électrique.
- ▶ **Ne pas maltraiter le cordon. Ne jamais utiliser le cordon pour porter, tirer ou débrancher l'outil électrique. Maintenir le cordon à l'écart de la chaleur, du lubrifiant, des arêtes vives ou des parties en mouvement.** Des cordons endommagés ou emmêlés augmentent le risque de choc électrique.
- ▶ **Lorsqu'on utilise un outil électrique à l'extérieur, utiliser un prolongateur adapté à l'utilisation extérieure.** L'utilisation d'un cordon adapté à l'utilisation extérieure réduit le risque de choc électrique.
- ▶ **Si l'usage d'un outil électrique dans un emplacement humide est inévitable, utiliser une alimentation protégée par un dispositif à courant différentiel résiduel (RCD).** L'usage d'un RCD réduit le risque de choc électrique.

Sécurité des personnes

- ▶ **Rester vigilant, regarder ce que vous êtes en train de faire et faire preuve de bon sens dans votre utilisation de l'outil électrique. Ne pas utiliser un outil électrique**

lorsque vous êtes fatigué ou sous l'emprise de drogues, de l'alcool ou de médicaments. Un moment d'inattention en cours d'utilisation d'un outil électrique peut entraîner des blessures graves.

- ▶ **Utiliser un équipement de protection individuelle. Toujours porter une protection pour les yeux.** Les équipements de protection individuelle tels que les masques contre les poussières, les chaussures de sécurité antidérapantes, les casques ou les protections auditives utilisés pour les conditions appropriées réduisent les blessures.
- ▶ **Éviter tout démarrage intempestif. S'assurer que l'interrupteur est en position arrêt avant de brancher l'outil au secteur et/ou au bloc de batteries, de le ramasser ou de le porter.** Porter les outils électriques en ayant le doigt sur l'interrupteur ou brancher des outils électriques dont l'interrupteur est en position marche est source d'accidents.
- ▶ **Retirer toute clé de réglage avant de mettre l'outil électrique en marche.** Une clé laissée fixée sur une partie tournante de l'outil électrique peut donner lieu à des blessures.
- ▶ **Ne pas se précipiter. Garder une position et un équilibre adaptés à tout moment.** Cela permet un meilleur contrôle de l'outil électrique dans des situations inattendues.
- ▶ **S'habiller de manière adaptée. Ne pas porter de vêtements amples ou de bijoux. Garder les cheveux et les vêtements à distance des parties en mouvement.** Des vêtements amples, des bijoux ou les cheveux longs peuvent être pris dans des parties en mouvement.
- ▶ **Si des dispositifs sont fournis pour le raccordement d'équipements pour l'extraction et la récupération des poussières, s'assurer qu'ils sont connectés et correctement utilisés.** Utiliser des collecteurs de poussière peut réduire les risques dus aux poussières.
- ▶ **Rester vigilant et ne pas négliger les principes de sécurité de l'outil sous prétexte que vous avez l'habitude de l'utiliser.** Une fraction de seconde d'inattention peut provoquer une blessure grave.

Utilisation et entretien de l'outil électrique

- ▶ **Ne pas forcer l'outil électrique. Utiliser l'outil électrique adapté à votre application.** L'outil électrique adapté réalise mieux le travail et de manière plus sûre au régime pour lequel il a été construit.
- ▶ **Ne pas utiliser l'outil électrique si l'interrupteur ne permet pas de passer de l'état de marche à arrêt et inversement.** Tout outil électrique qui ne peut pas être commandé par l'interrupteur est dangereux et il faut le réparer.
- ▶ **Débrancher la fiche de la source d'alimentation et/ou enlever le bloc de batteries, s'il est amovible, avant tout réglage, changement d'accessoires ou avant de ranger l'outil électrique.** De telles mesures de sécurité préventives réduisent le risque de démarrage accidentel de l'outil électrique.

- ▶ **Conserver les outils électriques à l'arrêt hors de la portée des enfants et ne pas permettre à des personnes ne connaissant pas l'outil électrique ou les présentes instructions de le faire fonctionner.** Les outils électriques sont dangereux entre les mains d'utilisateurs novices.
- ▶ **Observer la maintenance des outils électriques et des accessoires. Vérifier qu'il n'y a pas de mauvais alignement ou de blocage des parties mobiles, des pièces cassées ou toute autre condition pouvant affecter le fonctionnement de l'outil électrique. En cas de dommages, faire réparer l'outil électrique avant de l'utiliser.** De nombreux accidents sont dus à des outils électriques mal entretenus.
- ▶ **Garder affûtés et propres les outils permettant de couper.** Des outils destinés à couper correctement entretenus avec des pièces coupantes tranchantes sont moins susceptibles de bloquer et sont plus faciles à contrôler.
- ▶ **Utiliser l'outil électrique, les accessoires et les lames etc., conformément à ces instructions, en tenant compte des conditions de travail et du travail à réaliser.** L'utilisation de l'outil électrique pour des opérations différentes de celles prévues peut donner lieu à des situations dangereuses.
- ▶ **Il faut que les poignées et les surfaces de préhension restent sèches, propres et dépourvues d'huiles et de graisses.** Des poignées et des surfaces de préhension glissantes rendent impossibles la manipulation et le contrôle en toute sécurité de l'outil dans les situations inattendues.

Maintenance et entretien

- ▶ **Faire entretenir l'outil électrique par un réparateur qualifié utilisant uniquement des pièces de rechange identiques.** Cela assure le maintien de la sécurité de l'outil électrique.

Instructions de sécurité pour meuleuses

- ▶ **Tenir l'outil électrique par les surfaces de préhension isolées, car la surface de ponçage peut être en contact avec son propre cordon.** Couper un fil "sous tension" peut mettre sous tension des parties métalliques exposées de l'outil électrique et pourrait donner un choc électrique à l'opérateur.
- ▶ **N'utilisez l'outil électroportatif que pour effectuer des ponçages à sec.** La pénétration d'eau à l'intérieur d'un outil électroportatif augmente le risque de choc électrique.
- ▶ **Ne guidez l'outil électroportatif contre la pièce à travailler que lorsqu'il est en marche et ne l'arrêtez qu'après l'avoir retiré de la pièce à travailler.** L'outil électroportatif risque d'effectuer un mouvement brusque.
- ▶ **Ne touchez jamais la bande abrasive en rotation.** Il y a risque de blessure.
- ▶ **Portez des gants de protection et ne touchez jamais la bande abrasive en rotation.** Il y a risque de blessure.

- ▶ **Veillez à ce que personne ne se trouve dans la trajectoire des étincelles projetées. Enlevez les matériaux inflammables qui se trouvent à proximité.** Le meulage et le tronçonnage de métaux génèrent des étincelles.
- ▶ **N'utilisez pas de bandes abrasives usées, fendues sur les bords ou fortement encrassées.** Les bandes abrasives endommagées peuvent se déchirer ou être projetées et blesser des personnes.
- ▶ **Attention risque d'incendie ! Évitez tout échauffement du matériau poncé et de la ponceuse. Videz toujours le bac à poussière avant de faire une pause de travail.**
Les particules de poussière se trouvant dans le sac à poussières, le microfiltre, le sac en papier (ou dans le sac à poussières en tissu ou le filtre de l'aspirateur) peuvent s'enflammer d'elles-mêmes dans des conditions défavorables, par exemple en cas de projection d'étincelles lors du ponçage de pièces en métal. Ceci notamment lorsque des particules de poussières sont mélangées à des résidus de vernis, de polyuréthane ou d'autres substances chimiques et que les matériaux travaillés sont très chauds après avoir été travaillés pendant une période assez longue.
- ▶ **Nettoyez régulièrement les ouïes d'aération de l'outil électroportatif.** Le ventilateur du moteur attire la poussière à l'intérieur du carter et une accumulation excessive de poussière de métal accroît le risque de choc électrique.
- ▶ **Bloquez la pièce à travailler.** Une pièce à travailler serrée par des dispositifs de serrage appropriés ou dans un étau est fixée de manière plus sûre que quand elle est tenue avec une main.
- ▶ **Avant de poser l'outil électroportatif, attendez que celui-ci soit complètement à l'arrêt.** L'outil risque de se coincer, ce qui entraînerait une perte de contrôle de l'outil électroportatif.
- ▶ **Lors du travail, tenez fermement l'outil électroportatif des deux mains et veillez à toujours garder une position de travail stable.** Avec les deux mains, l'outil électroportatif est guidé en toute sécurité.

Caractéristiques techniques

Ponceuse à bande		GBS 750	GBS 750
Référence		3 601 BC1 0E0 3 601 BC1 0H0 3 601 BC1 0K0 3 601 BC1 0L0	3 601 BC1 0D0 3 601 BC1 0G0
Tension nominale	V	230	127
Puissance absorbée nominale	W	850	850
Vitesse de bande à vide	m/min	200–420	200–420
Longueur de la bande abrasive	mm	533	533
Largeur de la bande abrasive	mm	75	75
Présélection de la vitesse de la bande		●	●
Raccordement bac de récupération/aspirateur		●	●
Poids	kg	3,6	3,6

Description des prestations et du produit



Lisez attentivement toutes les instructions et consignes de sécurité. Le non-respect des instructions et consignes de sécurité peut provoquer un choc électrique, un incendie et/ou entraîner de graves blessures.

Référez-vous aux illustrations qui se trouvent à l'avant de la notice d'utilisation.

Utilisation conforme

L'outil électroportatif est conçu pour le ponçage – avec enlèvement de matière élevée – du bois, du métal et des surfaces vernies.

Éléments constitutifs

La numérotation des éléments se réfère à la représentation de l'outil électroportatif sur la page graphique.

- (1) Poignée auxiliaire (surface de prise en main isolée)
- (2) Bande abrasive
- (3) Molette de présélection de vitesse de bande
- (4) Levier de serrage de la bande abrasive
- (5) Interrupteur Marche/Arrêt
- (6) Bouton de blocage de l'interrupteur Marche/Arrêt
- (7) Poignée (surface de prise en main isolée)
- (8) Levier d'ajustage de position de la bande
- (9) Raccord d'aspiration
- (10) Sac à poussière
- (11) Plaque métallique
- (12) Feutrine
- (13) Cache supplémentaire du porte-charbon avant
- (14) Cache de porte-charbon (2 x)
- (15) Porte-charbon (2 x) avec charbon

Ponceuse à bande

GBS 750

GBS 750

Indice de protection

□ / II

□ / II

Les données sont valables pour les tensions nominales indiquées. Elles peuvent varier lorsque les tensions diffèrent de ces valeurs et pour les versions destinées à certains pays.

Les valeurs peuvent varier selon le produit, les conditions d'utilisation et les conditions ambiantes. Pour plus d'informations, rendez-vous sur www.bosch-professional.com/wac.

Informations sur le niveau sonore/les vibrations

Valeurs d'émissions sonores déterminées conformément à **EN 62841-2-4**.

Le niveau sonore en dB(A) typique de l'outil électroportatif est de : niveau de pression acoustique **91** dB(A) ; niveau de puissance acoustique **99** dB(A). Incertitude K = **3** dB.

Portez un casque antibruit !

Valeurs globales de vibration a_h (somme vectorielle sur les trois axes) et incertitude K conformément à **EN 62841-2-4** : $a_h = 2,5$ m/s², K = **1,5** m/s².

Le niveau de vibration et la valeur d'émission sonore indiqués dans cette notice d'utilisation ont été mesurés selon une procédure de mesure normalisée et peuvent être utilisés pour établir une comparaison entre différents outils électroportatifs. Ils peuvent aussi servir de base à une estimation préliminaire du taux de vibration et du niveau sonore.

Le niveau de vibration et la valeur d'émission sonore indiqués s'appliquent pour les utilisations principales de l'outil électroportatif. Si l'outil électroportatif est utilisé pour d'autres applications, avec d'autres accessoires de travail ou sans avoir fait l'objet d'un entretien régulier, le niveau de vibration et la valeur d'émission sonore peuvent différer. Il peut en résulter des vibrations et un niveau sonore nettement plus élevés pendant toute la durée de travail.

Pour une estimation précise du niveau de vibration et du niveau sonore, il faut aussi prendre en considération les périodes pendant lesquelles l'outil est éteint ou bien en marche sans être vraiment en action. Il peut en résulter au final un niveau de vibration et un niveau sonore nettement plus faibles pendant toute la durée de travail.

Prévoyez des mesures de protection supplémentaires permettant de protéger l'utilisateur de l'effet des vibrations, par exemple : maintenance de l'outil électroportatif et des accessoires de travail, maintien des mains au chaud, organisation des procédures de travail.

Montage

► **Débranchez le câble d'alimentation de la prise avant d'effectuer des travaux quels qu'il soient sur l'outil électroportatif.**

Aspiration de poussières/de copeaux

Les poussières de matériaux tels que peintures contenant du plomb, certains bois, minéraux ou métaux, peuvent être nuisibles à la santé. Le contact avec les poussières ou leur inhalation peut entraîner des réactions allergiques et/ou des maladies respiratoires auprès de l'utilisateur ou des personnes se trouvant à proximité.

Certaines poussières telles que les poussières de chêne ou

de hêtre sont considérées comme cancérigènes, surtout en association avec des additifs pour le traitement du bois (chromate, lasure). Les matériaux contenant de l'amiante ne doivent être travaillés que par des personnes qualifiées.

- Si possible, utilisez un dispositif d'aspiration des poussières approprié au matériau.
- Veillez à bien aérer la zone de travail.
- Il est recommandé de porter un masque respiratoire avec un niveau de filtration de classe P2.

Respectez les règlements spécifiques aux matériaux à traiter en vigueur dans votre pays.

► **Évitez toute accumulation de poussières sur le lieu de travail.** Les poussières peuvent facilement s'enflammer.

Aspiration interne avec sac à poussières

Pour de petits travaux, il est possible de monter un sac à poussières (accessoire) **(10)**. Emboîtez le sac à poussières sur la tubulure d'aspiration **(9)**. Videz à temps le sac à poussières **(10)** afin de toujours disposer d'une puissance d'aspiration optimale.

Aspiration au moyen d'un aspirateur

Raccordez un flexible d'aspiration à la tubulure de sortie d'air **(9)**.

Raccordez l'autre extrémité du flexible d'aspiration à un aspirateur. Vous trouverez à la fin de cette notice une vue d'ensemble des aspirateurs auxquels peut être raccordé l'outil électroportatif.

L'aspirateur doit être conçu pour le type de matériau à poncer.

Pour l'aspiration de poussières particulièrement nuisibles à la santé, cancérigènes ou sèches, utilisez un aspirateur spécial.

Changement de la bande de ponçage (voir figure A)

- Faites basculer à fond le levier de serrage **(4)** vers l'extérieur. La bande abrasive **(2)** se trouve alors desserrée et peut être retirée.
- Installez la nouvelle bande abrasive **(2)**. Veillez à ce que le sens des flèches sur la face intérieure de la bande abrasive et le boîtier de l'outil électroportatif coïncide.
- Ramenez le levier de serrage **(4)** dans sa position initiale.
- À l'aide du levier d'ajustage **(8)**, réglez la position de la bande abrasive **(2)** de façon à ce qu'elle soit bien centrée par rapport au rouleau.

Veillez à ce que la bande de ponçage **(2)** ne frotte pas contre le carter de l'outil. Vérifiez régulièrement le réglage de la bande et rectifiez-le si nécessaire à l'aide du bouton d'ajustage **(8)**.

Choix de la bande de ponçage

Suivant le matériau à travailler et le travail demandé, il existe différentes bandes de ponçage :

	Grain	
red:Wood		40 - 320
Pour poncer tous les bois et dérivés		
Pour le préponçage, p. ex. de poutres et de planches rugueuses, non rabotées	gros	40, 60
Pour le ponçage plan et la correction d'inégalités et aspérités de surface	moyen	80, 100, 120, 150
Pour le ponçage fin et de finition de bois durs	fin	180, 220, 280, 320

Utilisation

Mise en marche

- **Tenez compte de la tension secteur !** La tension du secteur doit correspondre aux indications se trouvant sur la plaque signalétique de l'outil électroportatif.

Mise en marche/arrêt

- **Assurez-vous de pouvoir actionner l'interrupteur Marche/Arrêt sans avoir à relâcher la poignée.**

Pour **mettre en marche** l'outil électroportatif, appuyez sur l'interrupteur Marche/Arrêt **(5)** et maintenez-le enfoncé.

Pour **bloquer** l'interrupteur Marche/Arrêt **(5)**, maintenez-le enfoncé et appuyez en même temps sur le bouton de blocage **(6)**.

Pour **arrêter** l'outil électroportatif, relâchez l'interrupteur Marche/Arrêt **(5)**. Si l'interrupteur Marche/Arrêt **(5)** est bloqué, appuyez d'abord dessus puis relâchez-le.

Instructions d'utilisation

- **Débranchez le câble d'alimentation de la prise avant d'effectuer des travaux quels qu'il soient sur l'outil électroportatif.**

Les performances de ponçage et la qualité des finitions dépendent essentiellement du choix de la bande de ponçage ainsi que de la vitesse présélectionnée. Plus la vitesse de la bande est grande, plus l'enlèvement de matière est important et plus la surface de ponçage est lisse.

Seules des bandes de ponçage impeccables assurent un bon travail de ponçage et ménagent l'outil électroportatif.

Travaillez avec une pression minimale, afin d'augmenter la durée de vie des bandes de ponçage. Le propre poids de l'outil électroportatif suffit pour assurer un bon travail de ponçage. Une trop grande pression exercée sur l'appareil n'entraîne pas une meilleure puissance de ponçage mais une usure plus importante de l'outil électroportatif et de la bande de ponçage.

Posez l'outil électroportatif mis en marche sur la pièce à travailler. Appliquez une vitesse d'avance modérée et guidez l'appareil de façon à ce que les passes de travail soient paral-

lèles et qu'elles se chevauchent. Travaillez dans le sens des fibres, les traces de ponçage en biais nuisent à l'aspect final. Lorsqu'il s'agit d'enlever des restes de vernis notamment, il se peut que ceux-ci s'amalgament et que la surface de la pièce à travailler ainsi que de la bande de ponçage soit encrassée. Il est donc recommandé de travailler avec un aspirateur de poussière.

Une bande de ponçage avec laquelle on a travaillé du métal ne doit pas être utilisée pour d'autres matériaux.

N'utilisez que des accessoires de ponçage **Bosch** d'origine.

Ne stockez les bandes de ponçage qu'en position suspendue, ne les pliez pas, sinon elles ne peuvent plus être utilisées.

Le cadre de ponçage (accessoire) permet un enlèvement de matière régulier et facilement réglable lors du ponçage de surfaces planes en bois d'une taille assez importante.

Entretien et Service après-vente

Nettoyage et entretien

- **Débranchez le câble d'alimentation de la prise avant d'effectuer des travaux quels qu'il soient sur l'outil électroportatif.**
- **Tenez toujours propres l'outil électroportatif ainsi que les fentes de ventilation afin d'obtenir un travail impeccable et sûr.**

Dans le cas où il s'avère nécessaire de remplacer le câble d'alimentation, confiez le remplacement à **Bosch** ou une station de Service Après-Vente agréée pour outillage **Bosch** afin de ne pas compromettre la sécurité.

Enlevez les poussières adhérentes à l'aide d'un pinceau.

Remplacement de la plaque métallique (voir figure B)

La plaque métallique **(11)** se visse sur la feutrine **(12)** et permet d'obtenir une finition optimale.

La rapidité d'usure de la plaque métallique **(11)** dépend de l'intensité d'utilisation. Pour remplacer la plaque métallique **(11)**, retirez la bande abrasive **(2)**. Dévissez la plaque métallique **(11)** et remplacez-la.

Après avoir remis en place la bande abrasive, ajustez sa position (voir « Changement de la bande de ponçage (voir figure A) », Page 12).

Remplacement des charbons (voir figure C)

Contrôlez la longueur des charbons tous les 2-3 mois environ et remplacez les deux charbons en cas de besoin.

Remplacez toujours les deux charbons à la fois !

Remarque : N'utilisez que les charbons Bosch d'origine qui sont prévus pour votre outil.

- Dévissez le cache supplémentaire avant **(13)** à l'aide d'un tournevis cruciforme. Retirez le cache supplémentaire.
- Dévissez des deux côtés le cache de porte-charbon **(14)** à l'aide d'un tournevis approprié.
- Remplacez les charbons **(15)** montés sur ressort et revissez les caches.

Service après-vente et conseil utilisateurs

Notre Service après-vente répond à vos questions concernant la réparation et l'entretien de votre produit et les pièces de rechange. Vous trouverez des vues éclatées et des informations sur les pièces de rechange sur le site :

www.bosch-pt.com

L'équipe de conseil utilisateurs Bosch se tient à votre disposition pour répondre à vos questions concernant nos produits et leurs accessoires.

Pour toute demande de renseignement ou toute commande de pièces de rechange, précisez impérativement la référence à 10 chiffres figurant sur l'étiquette signalétique du produit.

Maroc

Robert Bosch Morocco SARL
53, Rue Lieutenant Mahroud Mohamed
20300 Casablanca
Tel. : +212 5 29 31 43 27
E-Mail : sav.outillage@ma.bosch.com

Vous trouverez d'autres adresses du service après-vente sous :

www.bosch-pt.com/serviceaddresses

Élimination des déchets

Les outils électroportatifs, ainsi que leurs accessoires et emballages, doivent pouvoir suivre chacun une voie de recyclage appropriée.



Ne jetez pas les outils électroportatifs avec les ordures ménagères !

Português

Instruções de segurança

Instruções gerais de segurança para ferramentas eléctricas

AVISO

Devem ser lidas todas as indicações de segurança,

instruções, ilustrações e especificações desta ferramenta eléctrica. O desrespeito das instruções apresentadas abaixo poderá resultar em choque eléctrico, incêndio e/ou ferimentos graves.

Guarde bem todas as advertências e instruções para futura referência.

O termo "ferramenta eléctrica" utilizado a seguir nas indicações de advertência, refere-se a ferramentas eléctricas operadas com corrente de rede (com cabo de rede) e a ferramentas eléctricas operadas com acumulador (sem cabo de rede).

Segurança da área de trabalho

- ▶ **Mantenha a sua área de trabalho sempre limpa e bem iluminada.** Desordem ou áreas de trabalho insuficientemente iluminadas podem levar a acidentes.
- ▶ **Não trabalhar com a ferramenta eléctrica em áreas com risco de explosão, nas quais se encontrem líquidos, gases ou pós inflamáveis.** Ferramentas eléctricas produzem faíscas, que podem inflamar pós ou vapores.
- ▶ **Manter crianças e outras pessoas afastadas da ferramenta eléctrica durante a utilização.** No caso de distração é possível que perca o controlo sobre o aparelho.

Segurança eléctrica

- ▶ **A ficha de conexão da ferramenta eléctrica deve caber na tomada. A ficha não deve ser modificada de maneira alguma. Não utilizar uma ficha de adaptação junto com ferramentas eléctricas protegidas por ligação à terra.** Fichas não modificadas e tomadas apropriadas reduzem o risco de um choque eléctrico.
- ▶ **Evitar que o corpo possa entrar em contacto com superfícies ligadas à terra, como tubos, aquecimentos, fogões e frigoríficos.** Há um risco elevado devido a um choque eléctrico, se o corpo estiver ligado à terra.
- ▶ **Manter o aparelho afastado de chuva ou humidade.** A infiltração de água numa ferramenta eléctrica aumenta o risco de choque eléctrico.
- ▶ **Não deverá utilizar o cabo para outras finalidades. Nunca utilizar o cabo para transportar a ferramenta eléctrica, para pendurá-la, nem para puxar a ficha da tomada. Manter o cabo afastado do calor, do óleo, de arestas afiadas ou de peças em movimento.** Cabos danificados ou emaranhados aumentam o risco de um choque eléctrico.
- ▶ **Se trabalhar com uma ferramenta eléctrica ao ar livre, só deverá utilizar cabos de extensão apropriados para áreas exteriores.** A utilização de um cabo de extensão apropriado para áreas exteriores reduz o risco de um choque eléctrico.
- ▶ **Se não for possível evitar o funcionamento da ferramenta eléctrica em áreas húmidas, deverá ser utilizado um disjuntor de corrente de avaria.** A utilização de um disjuntor de corrente de avaria reduz o risco de um choque eléctrico.

Segurança de pessoas

- ▶ **Esteja atento, observe o que está a fazer e tenha prudência ao trabalhar com a ferramenta eléctrica. Não utilizar uma ferramenta eléctrica quando estiver fatigado ou sob a influência de drogas, álcool ou medicamentos.** Um momento de descuido ao utilizar a ferramenta eléctrica, pode levar a lesões graves.
- ▶ **Utilizar equipamento de protecção individual. Utilizar sempre óculos de protecção.** A utilização de equipamento de protecção pessoal, como máscara de protecção contra pó, sapatos de segurança

antiderrapantes, capacete de segurança ou protecção auricular, de acordo com o tipo e aplicação da ferramenta eléctrica, reduz o risco de lesões.

- ▶ **Evitar uma colocação em funcionamento involuntária. Assegure-se de que a ferramenta eléctrica esteja desligada, antes de conectá-la à alimentação de rede e/ou ao acumulador, antes de levá-la ou de transportá-la.** Se tiver o dedo no interruptor ao transportar a ferramenta eléctrica ou se o aparelho for conectado à alimentação de rede enquanto estiver ligado, poderão ocorrer acidentes.
- ▶ **Remover ferramentas de ajuste ou chaves de boca antes de ligar a ferramenta eléctrica.** Uma ferramenta ou chave que se encontre numa parte do aparelho em movimento pode levar a lesões.
- ▶ **Evite uma posição anormal. Mantenha uma posição firme e mantenha sempre o equilíbrio.** Desta forma é mais fácil controlar a ferramenta eléctrica em situações inesperadas.
- ▶ **Usar roupa apropriada. Não usar roupa larga nem jóias. Mantenha os cabelos e roupas afastados de peças em movimento.** Roupas frouxas, cabelos longos ou jóias podem ser agarrados por peças em movimento.
- ▶ **Se for possível montar dispositivos de aspiração ou de recolha, assegure-se de que estejam conectados e utilizados correctamente.** A utilização de uma aspiração de pó pode reduzir o perigo devido ao pó.
- ▶ **Não deixe que a familiaridade resultante de uma utilização frequente de ferramentas permita que você se torne complacente e ignore os princípios de segurança da ferramenta.** Uma acção descuidada pode causar ferimentos graves numa fracção de segundo.

Utilização e manuseio cuidadoso de ferramentas eléctricas

- ▶ **Não sobrecarregue a ferramenta eléctrica. Utilize a ferramenta eléctrica apropriada para o seu trabalho.** É melhor e mais seguro trabalhar com a ferramenta eléctrica apropriada na área de potência indicada.
- ▶ **Não utilizar uma ferramenta eléctrica com um interruptor defeituoso.** Uma ferramenta eléctrica que não pode mais ser ligada nem desligada, é perigosa e deve ser reparada.
- ▶ **Puxar a ficha da tomada e/ou remover o acumulador, se amovível, antes de executar ajustes na ferramenta eléctrica, de substituir acessórios ou de guardar as ferramentas eléctricas.** Esta medida de segurança evita o arranque involuntário da ferramenta eléctrica.
- ▶ **Guardar ferramentas eléctricas não utilizadas fora do alcance de crianças e não permitir que as pessoas que não estejam familiarizadas com o aparelho ou que não tenham lido estas instruções utilizem o aparelho.** Ferramentas eléctricas são perigosas se forem utilizadas por pessoas inexperientes.
- ▶ **Tratar a ferramenta eléctrica e os acessórios com cuidado. Controlar se as partes móveis do aparelho funcionam perfeitamente e não emperram, e se há**

peças quebradas ou danificadas que possam prejudicar o funcionamento da ferramenta eléctrica. Permitir que peças danificadas sejam reparadas antes da utilização. Muitos acidentes têm como causa, a manutenção insuficiente de ferramentas eléctricas.

- ▶ **Manter as ferramentas de corte afiadas e limpas.** Ferramentas de corte cuidadosamente tratadas e com cantos de corte afiados emperram com menos frequência e podem ser conduzidas com maior facilidade.
- ▶ **Utilizar a ferramenta eléctrica, acessórios, ferramentas de aplicação, etc. conforme estas instruções. Considerar as condições de trabalho e a tarefa a ser executada.** A utilização de ferramentas eléctricas para outras tarefas a não ser as aplicações previstas, pode levar a situações perigosas.
- ▶ **Mantenha os punhos e as superfícies de agarrar secas, limpas e livres de óleo e massa consistente.** Punhos e superfícies de agarrar escorregadias não permitem o manuseio e controle seguros da ferramenta em situações inesperadas.

Serviço

- ▶ **Só permita que o seu aparelho seja reparado por pessoal especializado e qualificado e só com peças de reposição originais.** Desta forma é assegurado o funcionamento seguro do aparelho.

Instruções de segurança para lixadeira

- ▶ **Segure a ferramenta eléctrica nas superfícies de agarrar isoladas, uma vez que a superfície de desbaste pode entrar em contacto com o seu próprio cabo.** O corte de um fio "sob tensão" irá colocar as partes metálicas expostas da ferramenta eléctrica "sob tensão" e produzir um choque eléctrico.
- ▶ **Use a ferramenta eléctrica apenas para lixamento a seco.** A infiltração de água numa ferramenta eléctrica aumenta o risco de choque eléctrico.
- ▶ **Só conduzir a ferramenta eléctrica no sentido da peça a ser trabalhada quando estiver ligada e só a desligar depois de a levantar da peça.** A ferramenta eléctrica pode mover-se repentinamente.
- ▶ **Nunca toque na cinta de lixa em movimento.** Existe perigo de ferimentos.
- ▶ **Use luvas de protecção e nunca toque na cinta de lixa em movimento.** Existe perigo de ferimentos.
- ▶ **Certifique-se de que nenhuma pessoa fica em perigo devido às faíscas. Afaste materiais inflamáveis das proximidades.** São originadas faíscas quando se lixa metais.
- ▶ **Não utilize cintas de lixa gastas, fissuradas ou muito embotadas.** As cintas de lixa podem romper ou ser projetadas e magoar alguém.
- ▶ **Atenção, perigo de incêndio! Evite um sobreaquecimento do material de lixar e da lixadeira. Esvazie sempre o reservatório de pó antes de pausas no trabalho.** O pó de lixa no saco coletor do pó, no microfiltro, no saco de papel (ou no saco do filtro ou no

filtro do aspirador) pode incendiar-se sob circunstâncias desfavoráveis como faíscas ao lixar metais. Existe perigo especialmente quando o pó de lixa está misturado com restos de verniz, poliuretano ou outras substâncias químicas e o material de lixar está quente após longo período de trabalho.

- ▶ **Limpe com regularidade as aberturas de ventilação da sua ferramenta elétrica.** A ventoinha do motor puxa pó para dentro da carcaça, e uma grande quantidade de pó de metal pode causar perigos elétricos.
- ▶ **Fixar a peça a ser trabalhada.** Uma peça a ser trabalhada fixa com dispositivos de aperto ou com torno de bancada está mais firme do que segurada com a mão.
- ▶ **Esperre que a ferramenta elétrica pare completamente, antes de depositá-la.** A ferramenta de aplicação pode emperrar e levar à perda de controlo sobre a ferramenta elétrica.
- ▶ **Durante o trabalho, segure a ferramenta elétrica com as duas mãos e providencie uma estabilidade segura.** A ferramenta elétrica é conduzida com maior segurança com ambas as mãos.

Descrição do produto e do serviço



Leia todas as instruções de segurança e instruções. A inobservância das instruções de segurança e das instruções pode causar choque elétrico, incêndio e/ou ferimentos graves.

Respeite as figuras na parte da frente do manual de instruções.

Dados técnicos

Lixadeira de rolos		GBS 750	GBS 750
Número de produto		3 601 BC1 0EO 3 601 BC1 0HO 3 601 BC1 0KO 3 601 BC1 0LO	3 601 BC1 0DO 3 601 BC1 0GO
Tensão nominal	V	230	127
Potência nominal absorvida	W	850	850
Velocidade da cinta em vazio	m/min	200–420	200–420
Comprimento da cinta de lixa	mm	533	533
Largura da cinta de lixa	mm	75	75
Pré-seleção da velocidade da cinta		●	●
Conexão para aspiração própria/externa		●	●
Peso	kg	3,6	3,6
Classe de proteção		□/II	□/II

As informações aplicam-se às tensões nominais indicadas. Com tensões divergentes e em versões específicas do país, estes dados podem variar. Os valores podem variar em função do produto e estar sujeitos a condições de aplicação e do meio ambiente. Para mais informações consulte www.bosch-professional.com/wac.

Informação sobre ruídos/vibrações

Os valores de emissão de ruído foram determinados de acordo com **EN 62841-2-4**.

Utilização adequada

A ferramenta elétrica destina-se ao lixamento de superfícies a seco – com elevado rendimento de desbaste – de madeira e metal, bem como de superfícies pintadas.

Componentes ilustrados

A numeração dos componentes ilustrados refere-se à apresentação da ferramenta elétrica na página de esquemas.

- (1) Punho adicional (superfície do punho isolada)
- (2) Cinta de lixa
- (3) Roda de pré-seleção da velocidade da cinta
- (4) Alavanca de aperto para a cinta de lixa
- (5) Interruptor de ligar/desligar
- (6) Tecla de fixação para o interruptor de ligar/desligar
- (7) Punho (superfície do punho isolada)
- (8) Botão de ajuste para o movimento da cinta
- (9) Bocal de sopro
- (10) Saco do pó
- (11) Placa de metal
- (12) Feltro de lã
- (13) Cobertura adicional para o suporte das escovas de carvão à frente
- (14) Cobertura para o suporte das escovas de carvão (2 x)
- (15) Suporte das escovas de carvão (2 x) com escova de carvão

Utilizar proteção auditiva!

Valores totais de vibração a_h (soma dos vetores das três direções) e incerteza K determinada segundo **EN 62841-2-4**:

$$a_h = 2,5 \text{ m/s}^2, K = 1,5 \text{ m/s}^2.$$

O nível de vibrações indicado nestas instruções e o valor de emissões sonoras foram medidos de acordo com um processo de medição normalizado e podem ser utilizados para a comparação de ferramentas elétricas. Também são adequados para uma avaliação provisória das emissões sonoras e de vibrações.

O nível de vibrações indicado e o valor de emissões sonoras representam as aplicações principais da ferramenta elétrica. Se a ferramenta elétrica for utilizada para outras aplicações, com outras ferramentas de trabalho ou com manutenção insuficiente, é possível que o nível de vibrações e de emissões sonoras seja diferente. Isto pode aumentar sensivelmente a emissão sonora e de vibrações para o período completo de trabalho.

Para uma estimativa exata da emissão sonora e de vibrações, também deveriam ser considerados os períodos nos quais o aparelho está desligado ou funciona, mas não está sendo utilizado. Isto pode reduzir a emissão sonora e de vibrações durante o completo período de trabalho.

Além disso também deverão ser estipuladas medidas de segurança para proteger o operador contra o efeito de vibrações, como por exemplo: manutenção de ferramentas elétricas e acessórios, manter as mãos quentes e organização dos processos de trabalho.

Montagem

- ▶ **Antes de todos trabalhos na ferramenta elétrica deverá puxar a ficha de rede da tomada.**

Aspiração de pó/de aparas

Pós de materiais como por exemplo, tintas que contém chumbo, alguns tipos de madeira, minerais e metais, podem ser nocivos à saúde. O contacto ou a inalação dos pós pode provocar reações alérgicas e/ou doenças nas vias respiratórias do utilizador ou das pessoas que se encontrem por perto.

Certos pós, como por exemplo pó de carvalho e faia são considerados como sendo cancerígenos, especialmente quando juntos com substâncias para o tratamento de madeiras (cromato, produtos de proteção da madeira). Material que contém asbesto só deve ser processado por pessoal especializado.

- Se possível deverá usar um dispositivo de aspiração de pó apropriado para o material.
- Assegurar uma boa ventilação do local de trabalho.
- É recomendável usar uma máscara de proteção respiratória com filtro da classe P2.

Observe as diretivas para os materiais a serem processados, vigentes no seu país.

- ▶ **Evite a acumulação de pó no local de trabalho.** Pós podem entrar levemente em ignição.

Aspiração própria com saco de pó

Nos trabalhos pequenos pode ligar um saco do pó (acessório) **(10)**. Encaixe bem o bocal do saco do pó no bocal de sopra **(9)**. Esvazie atempadamente o saco do pó **(10)**, para que a recolha do pó se mantenha sem problemas.

Aspiração externa

Insira uma mangueira de aspiração no bocal de aspiração **(9)**.

Ligue a mangueira de aspiração a um aspirador (acessório). Encontra um resumo da ligação aos diferentes aspiradores no final deste manual.

O aspirador de pó deve ser apropriado para o material a ser trabalhado.

Utilize um aspirador especial para aspirar pó que seja extremamente nocivo à saúde, cancerígeno ou seco.

Trocar a cinta de lixa (ver figura A)

- Rode a alavanca de aperto **(4)** completamente para fora. A cinta de lixa **(2)** está agora solta e pode ser retirada.
- Coloque a cinta de lixa **(2)** nova. Certifique-se de que os sentidos das setas na parte interior da cinta de lixa e na carcaça da ferramenta elétrica coincidem.
- Volte a rodar a alavanca de aperto **(4)** para a posição original.
- Ajuste a cinta de lixa **(2)** com o botão de ajuste **(8)** de modo a que fique estável no centro do movimento da lixa.

Tenha atenção para que a cinta de lixa **(2)** não roce na carcaça. Verifique regularmente o movimento da cinta e reajuste-o, se necessário, com o botão de ajuste **(8)**.

Seleção da cinta de lixa

Estão disponíveis diversas cintas abrasivas, de acordo com o material a ser trabalhado e com o desbaste desejado da superfície:

	Grão
red:Wood	40–320
Para processamento de derivados de madeira	
Para o lixamento prévio, p. ex. de vigas e tábuas rugosas e grosseiras	grosseira 40, 60
Para o alisamento e nivelamento de pequenas irregularidades	média 80, 100, 120, 150
Para o acabamento fino de lixar madeiras duras	fina 180, 220, 280, 320

Funcionamento

Colocação em funcionamento

- ▶ **Observar a tensão de rede!** A tensão da fonte de corrente elétrica deve coincidir com os dados que constam na placa de características da ferramenta elétrica.

Ligar/desligar**► Certifique-se de que consegue acionar o interruptor de ligar/desligar sem ter de soltar o punho.**

Para **ligar** a ferramenta elétrica pressione o interruptor de ligar/desligar **(5)** e mantenha-o premido.

Para **fixar** o interruptor de ligar/desligar **(5)**, mantenha-o premido e prima adicionalmente o botão de fixação **(6)**.

Para **desligar** a ferramenta elétrica, solte o interruptor de ligar/desligar **(5)**. Fixado o interruptor de ligar/desligar **(5)**, prima o primeiro e solte-o depois.

Instruções de trabalho**► Antes de todos trabalhos na ferramenta elétrica deverá puxar a ficha de rede da tomada.**

O rendimento de desbaste ao lixar e a qualidade de superfície são determinados essencialmente pela seleção da cinta de lixa, bem como pela velocidade da cinta pré-selecionada. Quanto mais alta a velocidade da cinta, tanto mais alto o desbaste e mais fina a superfície de lixar.

Apenas cintas de lixar impecáveis garantem um excelente rendimento de desbaste e a proteção da ferramenta elétrica.

Trabalhar com a mínima força de pressão possível, para aumentar a vida útil das cintas abrasivas. O próprio peso da ferramenta é suficiente para um bom rendimento de desbaste. Demasiada pressão não resulta num melhor rendimento de desbaste, mas sim num maior desgaste da ferramenta elétrica e da cinta de lixa.

Coloque a ferramenta elétrica ligada sobre a superfície a trabalhar. Trabalhar com avanço moderado e lixar movimentando a ferramenta de modo a lixar com pistas paralelas e sobrepostas. Lixe no sentido das fibras, marcas de lixamento na transversal original efeitos de lixamento incômodos.

Especialmente ao remover restos de verniz, é possível que estes derretam e sujem a superfície do material e da cinta de lixa. Assim sendo, trabalhe com aspiração de pó.

Uma cinta de lixa com a qual já foi trabalhado metal, não deveria mais ser usada para o processamento de outros materiais.

Use apenas acessórios de lixar **Bosch** originais.

As cintas abrasivas devem sempre ser guardadas penduradas e não devem ser dobradas, caso contrário são inutilizáveis.

Com a armação de lixar (acessório) é possível regular a potência abrasiva ao lixar maiores superfícies de madeira.

Manutenção e assistência técnica**Manutenção e limpeza****► Antes de todos trabalhos na ferramenta elétrica deverá puxar a ficha de rede da tomada.****► Manter a ferramenta elétrica e as aberturas de ventilação sempre limpas, para trabalhar bem e de forma segura.**

Se for necessário instalar um cabo de ligação, a instalação deve ser feita pela **Bosch** ou por um centro de serviço autorizado para ferramentas elétricas **Bosch**, para evitar perigos de segurança.

Remover o pó aderido com um pincel.

Trocar placa de metal (ver figura B)

A placa de metal **(11)** é aparafusada no feltro de lã **(12)** e permite padrão de lixamento ideal.

A placa de metal **(11)** está sujeita ao desgaste dependente da intensidade de utilização. Para trocar a placa de metal **(11)** retire a cinta de lixa **(2)**. Desaparafuse a placa de metal **(11)** e substitua-a.

Após a colocação da cinta de lixa ajuste o movimento da cinta (ver "Trocar a cinta de lixa (ver figura A)", Página 17).

Trocar as escovas de carvão (ver figura C)

Verifique o comprimento das escovas de carvão a cada 2–3 meses e, se necessário, troque as duas escovas de carvão. Nunca substitua apenas uma escova de carvão!

Nota: utilize apenas escovas de carvão adquiridas através da Bosch, as quais são apropriadas para o seu produto.

- Remova o parafuso na cobertura adicional à frente **(13)** com uma chave de fenda em cruz. Retire a cobertura adicional.
- Remova os parafusos de ambos os lados na cobertura **(14)** com uma chave de parafusos adequada.
- Substitua as escovas de carvão **(15)** que estão sob pressão de mola e aparafuse novamente as coberturas.

Serviço pós-venda e aconselhamento

O serviço pós-venda responde às suas perguntas a respeito de serviços de reparação e de manutenção do seu produto, assim como das peças sobressalentes. Desenhos explodidos e informações acerca das peças sobressalentes também em:

www.bosch-pt.com

A nossa equipa de consultores Bosch esclarece com prazer todas as suas dúvidas a respeito dos nossos produtos e acessórios.

Indique para todas as questões e encomendas de peças sobressalentes a referência de 10 dígitos de acordo com a placa de características do produto.

Brasil

Robert Bosch Ltda. – Divisão de Ferramentas Elétricas
Rodovia Anhanguera, Km 98 - Parque Via Norte
13065-900, CP 1195
Campinas, São Paulo
Tel.: 0800 7045 446
www.bosch.com.br/contato

Encontra outros endereços da assistência técnica em:

www.bosch-pt.com/serviceaddresses

Eliminação

Ferramentas elétricas, acessórios e embalagens devem ser enviados a uma reciclagem ecológica de matérias-primas.



Não deitar ferramentas elétricas no lixo doméstico!

Español

Indicaciones de seguridad

Indicaciones generales de seguridad para herramientas eléctricas

⚠ ADVERTENCIA Lea íntegramente las advertencias de peligro, las instrucciones, las ilustraciones y las especificaciones entregadas con esta herramienta eléctrica. En caso de no atenderse a las instrucciones siguientes, ello puede ocasionar una descarga eléctrica, un incendio y/o una lesión grave.

Guardar todas las advertencias de peligro e instrucciones para futuras consultas.

El término "herramienta eléctrica" empleado en las siguientes advertencias de peligro se refiere a herramientas eléctricas de conexión a la red (con cable de red) y a herramientas eléctricas accionadas por acumulador (sin cable de red).

Seguridad del puesto de trabajo

- ▶ **Mantenga el área de trabajo limpia y bien iluminada.** Las áreas desordenadas u oscuras pueden provocar accidentes.
- ▶ **No utilice herramientas eléctricas en un entorno con peligro de explosión, en el que se encuentren combustibles líquidos, gases o material en polvo.** Las herramientas eléctricas producen chispas que pueden llegar a inflamar los materiales en polvo o vapores.
- ▶ **Mantenga alejados a los niños y otras personas de su puesto de trabajo al emplear la herramienta eléctrica.** Una distracción le puede hacer perder el control sobre la herramienta eléctrica.

Seguridad eléctrica

- ▶ **El enchufe de la herramienta eléctrica debe corresponder a la toma de corriente utilizada. No es admisible modificar el enchufe en forma alguna. No emplear adaptadores en herramientas eléctricas dotadas con una toma de tierra.** Los enchufes sin modificar adecuados a las respectivas tomas de corriente reducen el riesgo de una descarga eléctrica.
- ▶ **Evite que su cuerpo toque partes conectadas a tierra como tuberías, radiadores, cocinas y refrigeradores.** El riesgo a quedar expuesto a una sacudida eléctrica es mayor si su cuerpo tiene contacto con tierra.
- ▶ **No esponga la herramienta eléctrica a la lluvia o a condiciones húmedas.** Existe el peligro de recibir una des-

carga eléctrica si penetran ciertos líquidos en la herramienta eléctrica.

- ▶ **No abuse del cable de red. No utilice el cable de red para transportar o colgar la herramienta eléctrica, ni tire de él para sacar el enchufe de la toma de corriente. Mantenga el cable de red alejado del calor, aceite, esquinas cortantes o piezas móviles.** Los cables de red dañados o enredados pueden provocar una descarga eléctrica.
- ▶ **Al trabajar con la herramienta eléctrica a la intemperie utilice solamente cables de prolongación apropiados para su uso al aire libre.** La utilización de un cable de prolongación adecuado para su uso en exteriores reduce el riesgo de una descarga eléctrica.
- ▶ **Si fuese imprescindible utilizar la herramienta eléctrica en un entorno húmedo, es necesario conectarla a través de un dispositivo de corriente residual (RCD) de seguridad (fusible diferencial).** La aplicación de un fusible diferencial reduce el riesgo a exponerse a una descarga eléctrica.

Seguridad de personas

- ▶ **Esté atento a lo que hace y emplee sentido común cuando utilice una herramienta eléctrica. No utilice la herramienta eléctrica si estuviese cansado, ni tampoco después de haber consumido drogas, alcohol o medicamentos.** El no estar atento durante el uso de la herramienta eléctrica puede provocarle serias lesiones.
- ▶ **Utilice un equipo de protección personal. Utilice siempre una protección para los ojos.** El riesgo a lesionarse se reduce considerablemente si se utiliza un equipo de protección adecuado como una mascarilla antipolvo, zapatos de seguridad con suela antideslizante, casco, o protectores auditivos.
- ▶ **Evite una puesta en marcha involuntaria. Asegurarse de que la herramienta eléctrica esté desconectada antes de conectarla a la toma de corriente y/o al montar el acumulador, al recogerla y al transportarla.** Si transporta la herramienta eléctrica sujetándola por el interruptor de conexión/desconexión, o si alimenta la herramienta eléctrica estando ésta conectada, ello puede dar lugar a un accidente.
- ▶ **Retire las herramientas de ajuste o llaves fijas antes de conectar la herramienta eléctrica.** Una herramienta de ajuste o llave fija colocada en una pieza rotante puede producir lesiones al poner a funcionar la herramienta eléctrica.
- ▶ **Evite posturas arriesgadas. Trabaje sobre una base firme y mantenga el equilibrio en todo momento.** Ello le permitirá controlar mejor la herramienta eléctrica en caso de presentarse una situación inesperada.
- ▶ **Lleve puesta una vestimenta de trabajo adecuada. No utilice vestimenta amplia ni joyas. Mantenga su pelo y vestimenta alejados de las piezas móviles.** La vestimenta suelta, el pelo largo y las joyas se pueden enganchar con las piezas en movimiento.

- ▶ **Si se proporcionan dispositivos para la conexión de las instalaciones de extracción y recogida de polvo, asegúrese que éstos estén conectados y que sean utilizados correctamente.** El empleo de estos equipos reduce los riesgos derivados del polvo.
- ▶ **No permita que la familiaridad ganada por el uso frecuente de herramientas eléctricas lo deje caer en la complacencia e ignore las normas de seguridad de herramientas.** Una acción negligente puede causar lesiones graves en una fracción de segundo.

Uso y trato cuidadoso de herramientas eléctricas

- ▶ **No sobrecargue la herramienta eléctrica. Utilice la herramienta eléctrica adecuada para su aplicación.** Con la herramienta eléctrica adecuada podrá trabajar mejor y más seguro dentro del margen de potencia indicado.
- ▶ **No utilice la herramienta eléctrica si el interruptor está defectuoso.** Las herramientas eléctricas que no se puedan conectar o desconectar son peligrosas y deben hacerse reparar.
- ▶ **Saque el enchufe de la red y/o retire el acumulador desmontable de la herramienta eléctrica, antes de realizar un ajuste, cambiar de accesorio o al guardar la herramienta eléctrica.** Esta medida preventiva reduce el riesgo a conectar accidentalmente la herramienta eléctrica.
- ▶ **Guarde las herramientas eléctricas fuera del alcance de los niños. No permita la utilización de la herramienta eléctrica a aquellas personas que no estén familiarizadas con su uso o que no hayan leído estas instrucciones.** Las herramientas eléctricas utilizadas por personas inexpertas son peligrosas.
- ▶ **Cuide las herramientas eléctricas y los accesorios. Controle la alineación de las piezas móviles, rotura de piezas y cualquier otra condición que pudiera afectar el funcionamiento de la herramienta eléctrica. En caso de daño, la herramienta eléctrica debe repararse antes de su uso.** Muchos de los accidentes se deben a herramientas eléctricas con un mantenimiento deficiente.
- ▶ **Mantenga los útiles limpios y afilados.** Los útiles mantenidos correctamente se dejan guiar y controlar mejor.
- ▶ **Utilice la herramienta eléctrica, los accesorios, los útiles, etc. de acuerdo a estas instrucciones, considerando en ello las condiciones de trabajo y la tarea a realizar.** El uso de herramientas eléctricas para trabajos diferentes de aquellos para los que han sido concebidas puede resultar peligroso.
- ▶ **Mantenga las empuñaduras y las superficies de las empuñaduras secas, limpias y libres de aceite y grasa.** Las empuñaduras y las superficies de las empuñaduras resbaladizas no permiten un manejo y control seguro de la herramienta eléctrica en situaciones imprevistas.

Servicio

- ▶ **Únicamente deje reparar su herramienta eléctrica por un experto cualificado, empleando exclusivamente piezas de repuesto originales.** Solamente así se mantiene la seguridad de la herramienta eléctrica.

Indicaciones de seguridad para lijadoras

- ▶ **Sujete la herramienta eléctrica por las superficies de agarre aisladas, ya que la superficie de lijado puede entrar en contacto con su propio cable.** En el caso del corte de un conductor "bajo tensión", las partes metálicas expuestas de la herramienta eléctrica pueden quedar "bajo tensión" y dar al operador una descarga eléctrica.
- ▶ **Utilice la herramienta eléctrica solamente para el lijado en seco.** Existe el peligro de recibir una descarga eléctrica si penetran ciertos líquidos en la herramienta eléctrica.
- ▶ **Guíe la herramienta eléctrica sólo conectada contra la pieza de trabajo y desconéctela recién después que la ha levantado de la pieza de trabajo.** La herramienta eléctrica puede moverse de repente.
- ▶ **No toque nunca la cinta lijadora en funcionamiento.** Existe peligro de lesión.
- ▶ **Lleve guantes de protección y no toque nunca la cinta lijadora en funcionamiento.** Existe peligro de lesión.
- ▶ **Asegúrese de que ninguna persona peligre por la proyección de chispas. Retire los materiales inflamables de las cercanías.** En el lijado de metales se origina una proyección de chispas.
- ▶ **No use cintas lijadoras desgastadas, desgarradas o muy embotadas.** Las cintas lijadoras dañadas pueden romperse, salir lanzadas y herir a alguien.
- ▶ **¡Atención peligro de incendio! Evite un sobrecalentamiento de la pieza de trabajo y la lijadora. Vacíe siempre el contenedor de polvo antes de las pausas de trabajo.** El polvo abrasivo en el saco de polvo, en el microfiltro, en el saco de papel (o en la bolsa filtrante o bien en el filtro de la aspiradora) puede autoencenderse bajo condiciones desfavorables, así como la proyección de chispas durante el lijado de metales. Existe un riesgo particular si el polvo de lijado se mezcla con barniz, residuos de poliuretano u otras sustancias químicas y el material lijado está caliente después de un largo tiempo de trabajo.
- ▶ **Limpie regularmente las ranuras de ventilación de su herramienta eléctrica.** El ventilador del motor aspira polvo hacia el interior de la carcasa, por lo que, en caso de una acumulación fuerte de polvo metálico, ello puede provocar una descarga eléctrica.
- ▶ **El enchufe macho de conexión, debe ser conectado solamente a un enchufe hembra de las mismas características técnicas del enchufe macho en materia.**
- ▶ **Asegure la pieza de trabajo.** Una pieza de trabajo fijada con unos dispositivos de sujeción, o en un tornillo de banco, se mantiene sujeta de forma mucho más segura que con la mano.
- ▶ **Espere a que se haya detenido la herramienta eléctrica antes de depositarla.** El útil puede engancharse y hacerle perder el control sobre la herramienta eléctrica.
- ▶ **Durante el trabajo, sostenga firmemente la herramienta eléctrica con ambas manos y cuide una posición segura.** Utilizando ambas manos la herramienta eléctrica es guiada de forma más segura.

Descripción del producto y servicio



Lea íntegramente estas indicaciones de seguridad e instrucciones. Las faltas de observación de las indicaciones de seguridad y de las instrucciones pueden causar descargas eléctricas, incendios y/o lesiones graves.

Por favor, observe las ilustraciones en la parte inicial de las instrucciones de servicio.

Utilización reglamentaria

La herramienta eléctrica ha sido proyectada para lijar en seco – con un elevado rendimiento en el arranque de material – superficies de madera y metal así como superficies pintadas.

Componentes principales

La numeración de los componentes representados se refiere a la imagen de la herramienta eléctrica en la página ilustrada.

- (1) Empuñadura adicional (zona de agarre aislada)

- (2) Banda lijadora
 (3) Rueda preseleктора de la velocidad de banda
 (4) Palanca de fijación de la banda lijadora
 (5) Interruptor de conexión/desconexión
 (6) Tecla de enclavamiento del interruptor de conexión/desconexión
 (7) Empuñadura (zona de agarre aislada)
 (8) Botón de reglaje del curso de la banda
 (9) Boquilla de salida
 (10) Saco para el polvo
 (11) Placa metálica
 (12) Filtro de lana
 (13) Cubierta adicional para el portaescobillas de carbón delantero
 (14) Cubierta para el portaescobillas de carbón (2 x)
 (15) Portaescobillas de carbón (2 x) con escobilla de carbón

Datos técnicos

Lijadora de banda		GBS 750	GBS 750
Número de artículo		3 601 BC1 0E0 3 601 BC1 0H0 3 601 BC1 0K0 3 601 BC1 0L0	3 601 BC1 0D0 3 601 BC1 0G0
Tensión nominal	V	230	127
Potencia absorbida nominal	W	850	850
Velocidad de la banda en vacío	m/min	200–420	200–420
Longitud de banda lijadora	mm	533	533
Ancho de banda lijadora	mm	75	75
Preselección de la velocidad de la banda		●	●
Conexión para aspiración propia/externa		●	●
Peso	kg	3,6	3,6
Clase de protección		□/II	□/II

Las especificaciones son válidas para las tensiones nominales indicadas. Estas indicaciones pueden variar con tensiones divergentes y en ejecuciones específicas del país.

Los valores pueden variar dependiendo del producto y están sujetos a la aplicación y a las condiciones medioambientales. Más información en www.bosch-professional.com/wac.

Información sobre ruidos y vibraciones

Valores de emisión de ruidos determinados según **EN 62841-2-4**.

El nivel de ruidos valorado con A de la herramienta eléctrica asciende típicamente a: nivel de presión acústica **91 dB(A)**; nivel de potencia acústica **99 dB(A)**. Inseguridad K = **3 dB**.

¡Utilice protección para los oídos!

Valores totales de vibraciones a_h (suma de vectores de tres direcciones) e inseguridad K determinados según **EN 62841-2-4**:

$$a_h = 2,5 \text{ m/s}^2, K = 1,5 \text{ m/s}^2.$$

El nivel de vibraciones y el valor de emisiones de ruidos indicados en estas instrucciones han sido determinados según

un procedimiento de medición normalizado y pueden servir como base de comparación con otras herramientas eléctricas. También son adecuados para estimar provisionalmente la emisión de vibraciones y ruidos.

El nivel de vibraciones y el valor de emisiones de ruidos indicados han sido determinados para las aplicaciones principales de la herramienta eléctrica. Por ello, el nivel de vibraciones y el valor de emisiones de ruidos pueden ser diferentes si la herramienta eléctrica se utiliza para otras aplicaciones, con útiles diferentes, o si el mantenimiento de la misma fue deficiente. Ello puede suponer un aumento drástico de la emisión de vibraciones y de ruidos durante el tiempo total de trabajo.

Para determinar con exactitud las emisiones de vibraciones y de ruidos, es necesario considerar también aquellos tiempos en los que el aparato esté desconectado, o bien, esté en funcionamiento, pero sin ser utilizado realmente. Ello puede suponer una disminución drástica de las emisiones de vibraciones y de ruidos durante el tiempo total de trabajo.

Fije unas medidas de seguridad adicionales para proteger al usuario de los efectos por vibraciones, como por ejemplo: Mantenimiento de la herramienta eléctrica y de los útiles, conservar calientes las manos, organización de las secuencias de trabajo.

Montaje

- ▶ **Antes de cualquier manipulación en la herramienta eléctrica, sacar el enchufe de red de la toma de corriente.**

Aspiración de polvo y virutas

El polvo de ciertos materiales como, pinturas que contengan plomo, ciertos tipos de madera y algunos minerales y metales, puede ser nocivo para la salud. El contacto y la inspiración de estos polvos pueden provocar en el usuario o en las personas circundantes reacciones alérgicas y/o enfermedades respiratorias.

Ciertos polvos como los de roble, encina y haya son considerados como cancerígenos, especialmente en combinación con los aditivos para el tratamiento de la madera (cromatos, conservantes de la madera). Los materiales que contengan amianto solamente deberán ser procesados por especialistas.

- A ser posible utilice un equipo para aspiración de polvo apropiado para el material a trabajar.
- Observe que esté bien ventilado el puesto de trabajo.
- Se recomienda una mascarilla protectora con un filtro de la clase P2.

Observe las prescripciones vigentes en su país sobre los materiales a trabajar.

- ▶ **Evite acumulaciones de polvo en el puesto de trabajo.** Los materiales en polvo se pueden inflamar fácilmente.

Aspiración propia con saco colector de polvo

Para trabajos más pequeños puede conectar un saco colector de polvo (accesorio) (10). Enchufe el racor de la bolsa colector de polvo en la boquilla de expulsión (9). Vacíe el saco colector de polvo (10) oportunamente, para que la recepción de polvo se mantenga de manera óptima.

Aspiración externa

Enchufe la manguera de aspiración en la boquilla de expulsión (9).

Empalme la manguera de aspiración con una aspiradora (accesorio). Encontrará un resumen de las conexiones a distintas aspiradoras al final de estas instrucciones.

El aspirador debe ser adecuado para el material a trabajar.

Para aspirar polvo especialmente nocivo para la salud, cancerígeno, o polvo seco utilice un aspirador especial.

Cambio de la banda lijadora (ver figura A)

- Mueva la palanca de fijación (4) completamente hacia afuera. La banda lijadora (2) está ahora suelta y se puede quitar.
- Coloque la nueva banda lijadora (2). Preste atención a que coincidan las direcciones de las flechas en el lado inferior de la cinta lijadora y en la carcasa de la herramienta eléctrica.
- Mueva la palanca de fijación (4) de nuevo a la posición inicial.
- Ajuste la banda lijadora (2) con el botón de ajuste (8), de modo que quede estable en el centro del recorrido de la banda.

Asegúrese de que la banda lijadora (2) no se mueva en la carcasa. Verifique regularmente el recorrido de la banda y ajústelo con el botón de ajuste (8) si es necesario.

Selección de la banda lijadora

De acuerdo al material a trabajar y al arranque de material deseado puede seleccionarse entre diversas bandas lijadoras:

	Granulación
red:Wood	40 - 320
Para prelijar, p. ej. vigas y tablas ásperas y sin cepillar	aproximada 40, 60
Para el rectificado superficial y para aplanar faltas de planeidad menores	Media 80, 100, 120, 150
Para el acabado y lijado fino de maderas duras	precisa 180, 220, 280, 320

Para mecanizar todos los materiales de madera

Para prelijar, p. ej. vigas y tablas ásperas y sin cepillar	aproximada	40, 60
Para el rectificado superficial y para aplanar faltas de planeidad menores	Media	80, 100, 120, 150
Para el acabado y lijado fino de maderas duras	precisa	180, 220, 280, 320

Operación

Puesta en marcha

- ▶ **¡Observe la tensión de red!** La tensión de alimentación deberá coincidir con las indicaciones en la placa de características de la herramienta eléctrica.

Conexión/desconexión

- ▶ **Asegúrese de que puede operar el interruptor de conexión/desconexión sin soltar el mango.**

Para la **conexión** de la herramienta eléctrica presione el interruptor de conexión/desconexión (5) y manténgalo presionado.

Para la **retención** del interruptor de conexión/desconexión (5), manténgalo oprimido y presione adicionalmente la tecla de retención (6).

Para **desconectar** la herramienta eléctrica, suelte el interruptor de conexión/desconexión (5). En caso de que el interruptor de conexión/desconexión (5) esté bloqueado, presiónelo primero y suéltelo a continuación.

Instrucciones para la operación

► Antes de cualquier manipulación en la herramienta eléctrica, sacar el enchufe de red de la toma de corriente.

El rendimiento conseguido en el arranque de material y la calidad de la superficie quedan determinados esencialmente por la banda lijadora empleada y la velocidad de la banda preseleccionada. Cuanto mayor sea la velocidad de banda, tanto mayor es el arranque de material y tanto más fino es el acabado de la superficie.

Únicamente unas bandas lijadoras en buenas condiciones permiten conseguir un buen rendimiento en el arranque de material, además de cuidar la herramienta eléctrica.

Observe que la presión de aplicación sea lo menor posible para prolongar así la vida útil de las bandas lijadoras. El propio peso de la herramienta eléctrica es suficiente para obtener un buen rendimiento en el arranque de material. Una presión de aplicación excesiva no supone un mayor rendimiento en el arranque de material, sino un mayor desgaste de la herramienta eléctrica y banda lijadora.

Coloque la herramienta eléctrica encendida en la superficie a mecanizar. Trabaje con un avance moderado y vaya lijando franjas paralelas de manera que éstas se solapen. Lijar en la dirección del grano, las marcas de lijado transversales producen efectos de lijado desagradables.

Especialmente al lijar piezas pintadas puede ocurrir que el polvo se ponga pastoso debido al calor generado al trabajar, llegando a ensuciar la superficie de la pieza de trabajo y la banda lijadora. Trabaje por ello con aspiración de polvo.

Las bandas lijadoras que hayan sido empleadas para trabajar metal no deberán utilizarse para trabajar otros materiales.

Utilice solamente accesorios originales **Bosch** para lijar. Solamente guarde las bandas lijadoras colgándolas, sin doblarlas, ya que si no quedarían inservibles.

Con el bastidor para lijar (accesorio especial) puede obtenerse un arranque de material uniforme y fácil de dosificar al lijar grandes superficies planas.

Mantenimiento y servicio

Mantenimiento y limpieza

- **Antes de cualquier manipulación en la herramienta eléctrica, sacar el enchufe de red de la toma de corriente.**
- **Mantenga limpia la herramienta eléctrica y las rejillas de refrigeración para trabajar con eficacia y seguridad.**

Si es necesario reemplazar el cable de conexión, entonces esto debe ser realizado por **Bosch** o por un servicio técnico autorizado para herramientas eléctricas **Bosch**, para evitar riesgos de seguridad.

Retire el polvo adherido con un pincel.

Cambiar la placa metálica (ver figura B)

La placa metálica (11) se enroscas en el fieltro de lana (12) y permite obtener una superficie óptima.

La placa metálica (11) está sujeta a un desgaste dependiente de la intensidad de uso. Para cambiar la placa metálica (11) desmonte la banda lijadora (2). Desatornille la placa metálica (11) y reemplácela.

Tras colocar la banda lijadora, ajuste el recorrido de la banda (ver "Cambio de la banda lijadora (ver figura A)", Página 22).

Sustitución de las escobillas de carbón (ver figura C)

Verifique la longitud de las escobillas de carbón aprox. cada 2–3 meses, y sustituya las dos escobillas de carbón si procede.

¡Jamás sustituya solamente una escobilla!

Indicación: Únicamente emplee unas escobillas de carbón adquiridas a través de Bosch para este producto.

- Retire el tornillo de la cubierta adicional delantera (13) con un destornillador para tornillos de cabeza ranurada en cruz. Retire la cubierta adicional.
- Retire a ambos lados los tornillos de la cubierta (14) con un destornillador adecuado.
- Reemplace las escobillas de carbón (15) que se encuentran bajo presión de muelle y atornille de nuevo las cubiertas.

Servicio técnico y atención al cliente

El servicio técnico le asesorará en las consultas que pueda Ud. tener sobre la reparación y mantenimiento de su producto, así como sobre piezas de recambio. Las representaciones gráficas tridimensionales e informaciones de repuestos se encuentran también bajo: **www.bosch-pt.com**

El equipo asesor de aplicaciones de Bosch le ayuda gustosamente en caso de preguntas sobre nuestros productos y sus accesorios.

Para cualquier consulta o pedido de piezas de repuesto es imprescindible indicar el nº de artículo de 10 dígitos que figura en la placa de características del producto.

México

Robert Bosch, S. de R.L. de C.V.
Calle Robert Bosch No. 405
C.P. 50071 Zona Industrial, Toluca – Estado de México
Tel.: (52) 55 528430-62
Tel.: 800 6271286
www.boschherramientas.com.mx

Direcciones de servicio adicionales se encuentran bajo:

www.bosch-pt.com/serviceaddresses

Eliminación

Recomendamos que las herramientas eléctricas, accesorios y embalajes sean sometidos a un proceso de recuperación que respete el medio ambiente.



¡No arroje las herramientas eléctricas a la basura!

NOM

El símbolo es solamente válido, si también se encuentra sobre la placa de características del producto/fabricado.

Português do Brasil

Indicações de segurança

Instruções gerais de segurança para ferramentas elétricas

A AVISO

Leia todas as indicações de segurança, instruções, ilustrações e especificações fornecidas com esta ferramenta elétrica. O desrespeito das instruções apresentadas abaixo poderá resultar em choque elétrico, incêndio e/ou ferimentos graves.

Guarde todas as advertências e instruções para futura referência.

O termo "ferramenta elétrica" em todos os avisos listados abaixo referem-se a ferramenta alimentada através de seu cordão de alimentação ou a ferramenta operada a bateria (sem cordão).

Segurança da área de trabalho

- ▶ **Mantenha a área de trabalho limpa e bem iluminada.** As áreas de trabalho desarrumadas ou escuras podem levar a acidentes.
- ▶ **Não opere as ferramentas elétricas em atmosferas explosivas, ou seja, na presença de líquidos, gases ou pó inflamáveis.** As ferramentas criam faíscas que podem inflamar a poeira ou os vapores.
- ▶ **Mantenha as crianças e outras pessoas afastadas da ferramenta elétrica durante o uso.** As distrações podem resultar na perda do controle.

Segurança elétrica

- ▶ **Os plugues da ferramenta devem ser compatíveis com as tomadas. Nunca modifique o plugue. Não use plugues de adaptador com ferramentas aterradas.** Os plugues sem modificações aliados a utilização de tomadas compatíveis reduzem o risco de choque elétrico.
- ▶ **Evite o contato do corpo com superfícies aterradas, como tubos, aquecedores, fogões e geladeiras.** Há um risco elevado de choque elétrico se seu corpo estiver aterrado.
- ▶ **Mantenha as ferramentas elétricas afastadas da chuva ou umidade.** A entrada de água em uma ferramenta elétrica aumenta o risco de choque elétrico.
- ▶ **Não use o cabo para outras finalidades. Jamais use o cabo para transportar, puxar ou desconectar a ferramenta elétrica. Mantenha o cabo afastado do**

calor, do óleo, de arestas afiadas ou de partes móveis.

Os cabos danificados ou emaranhados aumentam o risco de um choque elétrico.

- ▶ **Ao operar uma ferramenta elétrica ao ar livre, use um cabo de extensão adequado para áreas exteriores.** O uso de um cabo de extensão apropriado para áreas exteriores reduz o risco de choque elétrico.
- ▶ **Se não for possível evitar o funcionamento da ferramenta elétrica em áreas úmidas, utilizar uma alimentação protegida por um dispositivo de corrente diferencial residual (DR).** O uso de um DR reduz o risco de um choque elétrico.

Segurança pessoal

- ▶ **Fique atento, olhe o que está fazendo e use o bom senso ao operar uma ferramenta. Não use uma ferramenta elétrica quando estiver cansado ou sob a influência de drogas, álcool ou medicamentos.** Um momento de desatenção enquanto opera uma ferramenta pode resultar em graves ferimento pessoal.
 - ▶ **Use equipamento de proteção individual. Use sempre óculos de proteção.** O uso de equipamento de proteção individual, como máscara de proteção contra poeira, sapatos de segurança antiderrapantes, capacete de segurança ou proteção auricular, usado nas condições adequadas irá reduzir o risco de ferimentos pessoais.
 - ▶ **Evite a partida não intencional. Assegure-se de que o interruptor está na posição de desligado antes de conectar o plugue na tomada e/ou bateria, pegar ou carregar a ferramenta.** Carregar as ferramentas com o seu dedo no interruptor ou conectar as ferramentas que apresentam interruptor na posição "ligado", são convites a acidentes.
 - ▶ **Remova qualquer ferramenta ou chave de ajuste antes de ligar a ferramenta elétrica.** Uma ferramenta ou chave ainda ligada a uma parte rotativa da ferramenta elétrica pode resultar em ferimentos pessoais.
 - ▶ **Evite uma posição anormal. Mantenha uma posição firme e mantenha sempre o equilíbrio.** Desta forma é mais fácil controlar a ferramenta elétrica em situações inesperadas.
 - ▶ **Use vestuário apropriado. Não use roupa larga nem joias. Mantenha seus cabelos e roupas afastados de partes móveis.** As roupas largas, joias ou cabelos longos podem ser agarrados por partes móveis.
 - ▶ **Se for possível montar dispositivos de aspiração ou de coleta, assegure-se de que são conectados e usados corretamente.** O uso de um dispositivo de coleta de poeira pode reduzir os riscos associados a poeiras.
 - ▶ **Não deixe que a familiaridade resultante do uso frequente de ferramentas permita que você se torne complacente e ignore os princípios de segurança da ferramenta.** Uma ação descuidada pode causar ferimentos graves numa fração de segundo.
- #### Uso e manuseio cuidadoso da ferramenta elétrica
- ▶ **Não sobrecarregue a ferramenta elétrica. Use a ferramenta elétrica correta para a sua aplicação. É**

melhor e mais seguro trabalhar com a ferramenta elétrica apropriada na área de potência para a qual foi projetada.

- ▶ **Não use a ferramenta elétrica se o interruptor estiver defeituoso.** Qualquer ferramenta elétrica que não pode mais ser controlada com o interruptor é perigosa e deve ser reparada.
- ▶ **Desconecte o plugue da alimentação e/ou remova a bateria, se removível, da ferramenta elétrica antes de efetuar ajustes, trocar acessórios ou guardar as ferramentas elétricas.** Tais medidas de segurança preventivas reduzem o risco de se ligar a ferramenta acidentalmente.
- ▶ **Guarde as ferramentas elétricas não utilizadas fora do alcance das crianças e não permita que as pessoas que não estejam familiarizadas com a ferramenta elétrica ou com essas instruções usem a ferramenta elétrica.** As ferramentas elétricas são perigosas nas mãos de usuários não treinados.
- ▶ **Trate as ferramentas elétricas e acessórios com cuidado. Cheque o desalinhamento ou coesão das partes móveis, rachaduras e qualquer outra condição que possa afetar a operação da ferramenta. Se houver danos, repare a ferramenta elétrica antes do uso.** Muitos acidentes são causados por ferramentas elétricas com manutenção inadequada.
- ▶ **Mantenha as ferramentas de corte afiadas e limpas.** As ferramentas de corte cuidadosamente mantidas e com arestas de corte afiadas emperram com menos frequência e são mais fáceis de controlar.
- ▶ **Use a ferramenta elétrica, acessórios, bits etc. de acordo com essas instruções, considerando as condições de trabalho e o trabalho a executar.** O uso da ferramenta elétrica em tarefas diferentes das previstas poderá resultar em uma situação perigosa.
- ▶ **Mantenha as empunhaduras e as superfícies de agarrar secas, limpas e livres de óleo e graxa.** As empunhaduras e superfícies de agarrar escorregadias não permitem o manuseio e controle seguros da ferramenta em situações inesperadas.

Serviço

- ▶ **Somente permita que a sua ferramenta elétrica seja reparada por pessoal qualificado e usando peças de reposição originais.** Só dessa forma é assegurada a segurança da ferramenta elétrica.

Instruções de segurança para lixadeira

- ▶ **Segure a ferramenta elétrica pelas superfícies de manuseio isoladas, uma vez que a superfície de lixamento pode entrar em contato com seu próprio fio elétrico.** Cortar um fio energizado pode tornar "vivas" as partes metálicas expostas da ferramenta elétrica e pode causar choque elétrico ao operador.
- ▶ **Utilize a ferramenta elétrica somente para lixamento a seco.** A infiltração de água em uma ferramenta elétrica aumenta o risco de um choque elétrico.

- ▶ **Desloque a peça apenas contra a ferramenta elétrica ligada e só desligue a ferramenta elétrica depois de a ter levantado a peça.** A ferramenta elétrica pode se movimentar repentinamente.
- ▶ **Nunca toque na cinta de lixa em movimento.** Há risco de lesões.
- ▶ **Use luvas de proteção e nunca toque na cinta de lixa em movimento.** Há risco de lesões.
- ▶ **Certifique-se de que nenhuma pessoa fica em perigo devido às faíscas. Remova os materiais inflamáveis das proximidades.** Ao retificar metais se formam faíscas.
- ▶ **Não utilize cintas de lixa gastas, rasgadas ou remendadas.** As cintas de lixa podem romper ou ser projetadas e machucar alguém.
- ▶ **Atenção perigo de incêndio! Evite um sobreaquecimento do material de lixado e da lixadeira. Esvazie sempre o reservatório de pó antes de iniciar o trabalho.** O pó de lixa no saco coletor do pó, no microfiltro, no saco de papel (ou no saco do filtro ou no filtro do aspirador) pode incendiar-se sob circunstâncias desfavoráveis como faíscas ao lixar metais. Existe perigo especialmente quando o pó de lixa está misturado com restos de verniz, poliuretano ou outras substâncias químicas e o material de lixar está quente após longo período de trabalho.
- ▶ **Limpe regularmente as aberturas de ventilação de sua ferramenta elétrica.** A ventoinha do motor puxa pó para dentro da carcaça, e uma grande quantidade de pó de metal pode causar perigos elétricos.
- ▶ **Fixar a peça a ser trabalhada.** Uma peça a ser trabalhada fixa com dispositivos de aperto ou com um torno de bancada está mais firme do que segurada com a mão.
- ▶ **Espere a ferramenta elétrica parar completamente, antes de depositá-la.** O acessório acoplável pode emperrar e levar à perda de controle sobre a ferramenta elétrica.
- ▶ **Durante o trabalho, segure a ferramenta elétrica com as duas mãos e providencie uma estabilidade segura.** A ferramenta elétrica se deixa conduzir de forma segura com as duas mãos.

Descrição do produto e especificações



Ler todas as indicações de segurança e instruções. O desrespeito das advertências e das instruções de segurança apresentadas abaixo pode causar choque elétrico, incêndio e/ou graves lesões.

Respeite as ilustrações na parte da frente do manual de instruções.

Utilização adequada

A ferramenta elétrica destina-se a lixar superfícies a seco – com elevado rendimento de desbaste – de madeira e metal, bem como de superfícies pintadas.

Componentes ilustrados

A numeração dos componentes ilustrados se refere à representação da ferramenta elétrica na página de esquemas.

- (1) Punho adicional (superfície do punho isolada)
- (2) Cinta de lixa
- (3) Roda para a pré-seleção da velocidade da cinta
- (4) Alavanca tensora para cinta de lixa
- (5) Interruptor de ligar/desligar
- (6) Botão de segurança do interruptor de ligar/desligar
- (7) Punho (superfície do punho isolada)
- (8) Botão de ajuste para o movimento da cinta
- (9) Bocal de descarga
- (10) Saco coletor do pó
- (11) Placa de metal
- (12) Feltro de lâ
- (13) Cobertura adicional para suporte das escovas de carvão à frente
- (14) Cobertura para suporte das escovas de carvão (2 x)
- (15) Suporte das escovas de carvão (2 x) com escova de carvão

Dados técnicos

Lixadeira de rolos		GBS 750	GBS 750
Número de produto		3 601 BC1 0E0 3 601 BC1 0H0 3 601 BC1 0K0 3 601 BC1 0L0	3 601 BC1 0D0 3 601 BC1 0G0
Tensão nominal	V	230	127
Potência nominal absorvida	W	850	850
Velocidade da cinta em vazio	m/min	200–420	200–420
Comprimento da cinta de lixa	mm	533	533
Largura da cinta de lixa	mm	75	75
Pré-seleção da velocidade da cinta		●	●
Ligação para aspiração própria/externa		●	●
Peso	kg	3,6	3,6
Classe de proteção		□/II	□/II

As indicações são válidas para as tensões nominais indicadas. No caso de tensões divergentes e em versões específicas do país, estes dados podem variar.

Os valores podem variar em função do produto e estar sujeitos a condições de aplicação e do meio ambiente. Mais informações em www.bosch-professional.com/wac.

Informação sobre ruídos/vibrações

Os valores de emissão de ruído foram determinados de acordo com **EN 62841-2-4**.

O nível sonoro avaliado A da ferramenta elétrica é normalmente: nível de pressão sonora **91 dB(A)**; nível de potência sonora **99 dB(A)**. Incerteza K = **3 dB**.

Utilizar proteção auditiva!

Valores totais de vibração a_h (soma vetorial nas três direções) e incerteza K determinada em função da **EN 62841-2-4**:

$$a_h = 2,5 \text{ m/s}^2, K = 1,5 \text{ m/s}^2.$$

Os níveis de vibrações indicados nestas instruções e o valor de emissão de ruído foram medidos de acordo com um método de medição padronizado e podem ser usados para comparar ferramentas elétricas entre si. Também são adequados para uma avaliação preliminar das emissões de vibrações e ruído.

Os níveis de vibrações indicados e o valor de emissão de ruído representam as principais aplicações da ferramenta elétrica. No entanto, se a ferramenta elétrica for usada para outras aplicações, com diferentes acessórios acopláveis ou com manutenção insuficiente, os níveis de vibrações e o valor de emissão de ruído podem ser diferentes. Isso pode aumentar significativamente as emissões de vibrações e ruído durante todo o período de trabalho.

Para uma estimativa precisa das emissões de vibrações e ruído, também devem ser considerados os momentos em que a ferramenta está desligada ou em funcionamento, mas não está realmente em uso. Isso pode reduzir significativamente as emissões de vibrações e ruído durante todo o período de trabalho.

Além disso também deverão ser estipuladas medidas de segurança para proteger o operador contra o efeito de vibrações, como por exemplo: a manutenção das ferramentas elétricas e dos acessórios acopláveis, luvas

durante o trabalho e a organização dos processos de trabalho.

Montagem

- ▶ **Antes de todos trabalhos na ferramenta elétrica, retirar o plugue da tomada.**

Aspiração de pó/de aparas

Pós de materiais, como por exemplo, tintas que contêm chumbo, alguns tipos de madeira, minerais e metais, podem ser nocivos à saúde. O contato com o pó ou sua inalação pode provocar reações alérgicas e/ou doenças nas vias respiratórias do utilizador ou das pessoas que se encontrem por perto.

Certos pós, como por exemplo pó de carvalho e faia são considerados cancerígenos, especialmente quando juntos com substâncias para o tratamento de madeiras (cromato, preservadores de madeira). Material que contém amianto só deve ser processado por pessoal especializado.

- Se possível, deverá utilizar uma aspiração de pó.
- Assegurar uma boa ventilação do local de trabalho.
- É recomendável usar uma máscara de proteção respiratória com filtro da classe P2.

Observe as diretrizes, vigentes no seu país, relativas aos materiais a serem trabalhados.

- ▶ **Evitar acúmulos de pó no local de trabalho.** Pós podem se inflamar levemente.

Aspiração própria com saco coletor do pó

No caso de trabalhos menores é possível conectar um saco de pó (acessório) (10). Insira o bocal do saco do pó no bocal de descarga (9). Esvazie atempadamente o saco do pó (10), para que o pó continue sendo aspirado de forma ideal.

Aspiração externa

Coloque uma mangueira de aspiração no bocal para descarga (9).

Una a mangueira de aspiração com um aspirador. Uma vista geral das conexões a diversos aspiradores de pó encontra-se no final destas instruções de serviço.

O aspirador de pó deve ser apropriado para o material a ser trabalhado.

Utilizar um aspirador especial caso o pó seja extremamente nocivo à saúde, cancerígeno ou seco.

Trocar a cinta de lixa (ver figura A)

- Rode a alavanca tensora (4) totalmente para fora. A cinta de lixa (2) está agora solta e pode ser removida.
- Coloque a nova cinta de lixa (2). Certifique-se de que os sentidos das setas na parte interior da cinta de lixa e na carcaça da ferramenta elétrica coincidem.
- Rode novamente a alavanca tensora (4) para a posição inicial.
- Ajuste a cinta de lixa (2) com o botão de ajuste (8) de modo a que fique estável no centro do movimento da cinta.

Assegure que a cinta de lixa (2) não toca na carcaça. Verifique regularmente o movimento da cinta e, se necessário, reajuste o mesmo com o botão de ajuste (8).

Seleção da cinta de lixa

Estão disponíveis diversas cintas de lixa, de acordo com o material a ser trabalhado e com o desbaste desejado da superfície:

	Grão
red:Wood	40–320
Para processar todos os derivados de madeira	
Para lixamento prévio, p. ex. de vigas e tábuas ásperas e grosseiras	grosseiro 40, 60
Para alisamento e para nivelar pequenas irregularidades	limpeza 80, 100, 120, 150
Para acabar de lixar e polir madeiras duras	fino 180, 220, 280, 320

Funcionamento

Colocando em funcionamento

- ▶ **Observe a tensão da rede!** A tensão da corrente elétrica deve coincidir com a indicada na placa de identificação da ferramenta elétrica.

Ligar e desligar

- ▶ **Certifique-se de que consegue acionar o interruptor de ligar/desligar sem ter de soltar o punho.**

Para **ligar** a ferramenta elétrica pressione o interruptor de ligar/desligar (5) e mantenha-o pressionado.

Para **fixar** o interruptor de ligar/desligar (5) mantenha-o pressionado e pressione adicionalmente a tecla de retenção (6).

Para **desligar** a ferramenta elétrica, solte o interruptor de ligar/desligar (5). Se o interruptor de ligar/desligar (5) estiver bloqueado, pressione-o primeiro e depois solte-o.

Indicações de trabalho

- ▶ **Antes de todos trabalhos na ferramenta elétrica, retirar o plugue da tomada.**

O rendimento de desbaste ao lixar e a qualidade da superfície são determinados essencialmente pela seleção da cinta de lixa e da respectiva velocidade pré-selecionada. Quanto mais alta a velocidade da cinta, maior o desbaste e mais fina a superfície de lixar.

Somente cintas de lixa em boas condições garantem um bom rendimento de desbaste e protegem a ferramenta elétrica.

Trabalhe com uma força de pressão tão reduzida quanto possível para aumentar a vida útil das cintas de lixa. O próprio peso da ferramenta elétrica é suficiente para um bom rendimento de desbaste. Um aumento excessivo da força de pressão não origina um maior rendimento de

desbaste, mas sim um maior desgaste da ferramenta elétrica e da cinta de lixa.

Coloque a ferramenta elétrica ligada sobre a superfície a trabalhar. Trabalhe com um avanço moderado e execute o lixamento paralelamente e de forma sobreposta às trajetórias de lixamento. Lixe no sentido da fibra, o lixamento transversal origina efeitos de lixamento prejudiciais.

Especialmente ao desbastar resíduos de tinta, pode suceder que estas se incorporem e provoquem manchas na superfície da peça e na cinta de lixa. Por esse motivo, trabalhe com aspiração de pó.

Uma cinta de lixa com a qual já tenha sido trabalho metal não deve ser mais utilizada para outros materiais.

Use apenas acessórios de lixa originais **Bosch**.

Guarde as cintas de lixa apenas penduradas e não as dobre, caso contrário, estas ficam inutilizáveis.

Com a armação para lixar (acessório) é possível um rendimento de desbaste uniforme e regulável ao alisar superfícies de madeira maiores.

Manutenção e serviço

Manutenção e limpeza

- ▶ **Antes de todos trabalhos na ferramenta elétrica, retirar o plugue da tomada.**
- ▶ **Manter a ferramenta elétrica e as aberturas de ventilação sempre limpas, para trabalhar bem e de forma segura.**

Se for necessário substituir o cabo de força, isto deverá ser realizado pela **Bosch** ou por uma assistência técnica autorizada para todas as ferramentas elétricas **Bosch** para evitar riscos de segurança.

Remova o pó de lixa que tenha aderido com um pincel.

Trocar a placa de metal (ver figura B)

A placa de metal **(11)** é aparafusada no feltro de lã **(12)** e permite um padrão de lixamento ideal.

A placa de metal **(11)** está sujeita a um desgaste dependente da intensidade de utilização. Para trocar a placa de metal **(11)**, retire a cinta de lixa **(2)**. Desaparafuse a placa de metal **(11)** e substitua a mesma.

Ajuste o movimento da cinta após a colocação da cinta de lixa (ver "Trocar a cinta de lixa (ver figura A)", Página 27).

Trocar as escovas de carvão (ver figura C)

Verifique o comprimento das escovas de carvão aproximadamente a cada 2–3 meses e troque ambas, se necessário.

Nunca substitua apenas uma escova de carvão!

Nota: Utilize apenas escovas de carvão recomendadas da Bosch, que são adequadas para o seu produto.

- Retire o parafuso na cobertura adicional à frente **(13)** com uma chave de fenda em cruz. Retire a cobertura adicional.

- Retire os parafusos de ambos os lados na cobertura **(14)** com uma chave de parafusos adequada.
- Troque as escovas de carvão **(15)** que se encontram sob pressão de mola e volte a aparafusar as coberturas.

Serviço pós-venda e assistência ao cliente

O serviço pós-venda responde às suas perguntas a respeito de serviços de reparação e de manutenção do seu produto, assim como das peças sobressalentes. Desenhos explodidos e informações sobre peças sobressalentes também em:

www.bosch-pt.com

A nossa equipe de consultores Bosch esclarece com prazer todas as suas dúvidas a respeito dos nossos produtos e acessórios.

Indique em todas as questões ou encomendas de peças sobressalentes impreterivelmente a referência de 10 dígitos de acordo com a placa de características do produto.

Brasil

Robert Bosch Ltda. – Divisão de Ferramentas Elétricas
Rodovia Anhanguera, Km 98 - Parque Via Norte
13065-900, CP 1195
Campinas, São Paulo
Tel.: 0800 7045 446
www.bosch.com.br/contato

Encontre outros endereços da assistência técnica em:

www.bosch-pt.com/serviceaddresses

Descarte

Ferramentas elétricas, acessórios e embalagens devem ser enviados a uma reciclagem ecológica de matérias primas.



Não jogar as ferramentas elétricas no lixo doméstico!

中文

安全规章

电动工具通用安全警告

⚠ 警告！

阅读随电动工具提供的所有安全警告、说明、图示和规定。

不遵照以下所列说明会导致电击、着火和/或严重伤害。

保存所有警告和说明书以备查阅。

警告中的术语“电动工具”是指市电驱动（有线）电动工具或电池驱动（无线）电动工具。

工作场地的安全

- ▶ **保持工作场地清洁和明亮。** 杂乱和黑暗的场地会引发事故。

- ▶ 不要在易爆环境，如有易燃液体、气体或粉尘的环境下操作电动工具。电动工具产生的火花会点燃粉尘或气体。
- ▶ 操作电动工具时，远离儿童和旁观者。注意力不集中会使你失去对工具的控制。

电气安全

- ▶ 电动工具插头必须与插座相配。绝不能以任何方式改装插头。需接地的电动工具不能使用任何转换插头。未经改装的插头和相配的插座将降低电击风险。
- ▶ 避免人体接触接地表面，如管道、散热片和冰箱。如果你身体接触接地表面会增加电击风险。
- ▶ 不得将电动工具暴露在雨中或潮湿环境中。水进入电动工具将增加电击风险。
- ▶ 不得滥用软线。绝不能用软线搬运、拉动电动工具或拔出其插头。使软线远离热源、油、锐边或运动部件。受损或缠绕的软线会增加电击风险。
- ▶ 当在户外使用电动工具时，使用适合户外使用的延长线。适合户外使用的电线将降低电击风险。
- ▶ 如果无法避免在潮湿的环境中操作电动工具，应使用带有剩余电流装置（RCD）保护的电源。RCD的使用可降低电击风险。

人身安全

- ▶ 保持警觉，当操作电动工具时关注所从事的操作并保持清醒。当你感到疲倦，或在有药物、酒精或治疗反应时，不要操作电动工具。在操作电动工具时瞬间的疏忽会导致严重人身伤害。
- ▶ 使用个人防护装置。始终佩戴护目镜。防护装置，诸如适当条件下使用防尘面具、防滑安全鞋、安全帽、听力防护等装置能减少人身伤害。
- ▶ 防止意外启动。在连接电源和/或电池包、拿起或搬运工具前确保开关处于关断位置。手指放在开关上搬运工具或开关处于接通时通电会导致危险。
- ▶ 在电动工具接通之前，拿掉所有调节钥匙或扳手。遗留在电动工具旋转零件上的扳手或钥匙会导致人身伤害。
- ▶ 手不要过分伸展。时刻注意立足点和身体平衡。这样能在意外情况下能更好地控制住电动工具。
- ▶ 着装适当。不要穿宽松衣服或佩戴饰品。让你的头发和衣服远离运动部件。宽松衣服、配饰或长发可能会卷入运动部件。
- ▶ 如果提供了与排屑、集尘设备连接用的装置，要确保其连接完好且使用得当。使用集尘装置可降低尘屑引起的危险。
- ▶ 不要因为频繁使用工具而产生的熟悉感而掉以轻心，忽视工具的安全准则。某个粗心的动作可能在瞬间导致严重的伤害。

电动工具使用和注意事项

- ▶ 不要勉强使用电动工具，根据用途使用合适的电动工具。选用合适的按照额定值设计的电动工具会使你工作更有效、更安全。
- ▶ 如果开关不能接通或关断电源，则不能使用该电动工具。不能通过开关来控制的电动工具是危险的且必须进行修理。

- ▶ 在进行任何调节、更换附件或贮存电动工具之前，必须从电源上拔掉插头和/或卸下电池包（如可拆卸）。这种防护性的安全措施降低了电动工具意外起动的风险。
- ▶ 将闲置不用的电动工具贮存在儿童所及范围之外，并且不允许不熟悉电动工具和不了解这些说明的人操作电动工具。电动工具在未经培训的使用者手中是危险的。
- ▶ 维护电动工具及其附件。检查运动部件是否调整到位或卡住，检查零件破损情况和影响电动工具运行的其他状况。如有损坏，应在使用前修理好电动工具。许多事故是由维护不良的电动工具引发的。
- ▶ 保持切削刀具锋利和清洁。维护良好地有锋利切削刃的刀具不易卡住而且容易控制。
- ▶ 按照使用说明书，并考虑作业条件和要进行的作业来选择电动工具、附件和工具的刀头等。将电动工具用于那些与其用途不符的操作可能会导致危险情况。
- ▶ 保持手柄和握持表面干燥、清洁，不得沾有油脂。在意外的情况下，湿滑的手柄不能保证握持的安全和对工具的控制。

维修

- ▶ 由专业维修人员使用相同的备件维修电动工具。这将保证所维修的电动工具的安全。

带式砂光机和辊式砂光机安全警告

- ▶ 因砂磨面可能会触及自身软线，要通过绝缘握持方式来握持工具。砂磨到带电导线会使工具外露的金属零件带电而使操作者受到电击。
- ▶ 本电动工具仅可用于干法研磨。水进入电动工具将增加电击危险。
- ▶ 只有在启动后方可将本电动工具迎向工件，只有将本电动工具从工件上移开后方可将其关闭。本电动工具可能会突然移动。
- ▶ 切勿触碰正在运行的砂带。有受伤的危险。
- ▶ 请佩戴防护手套，切勿触碰正在运行的砂带。有受伤的危险。
- ▶ 要注意确保飞溅的火花不会伤到人。清除附近的可燃材料。研磨金属时会有火花飞溅。
- ▶ 不得使用已磨光、开裂或严重磨损的砂带。损坏的砂带可能会断裂、打滑偏移或伤人。
- ▶ 注意火灾危险！应避免磨料和研磨机过热。每次工作休息前都要清空集尘腔。集尘袋、微过滤器、纸袋（或者吸尘器的过滤袋或过滤器）内的磨削粉尘可能会在不良条件下（例如研磨金属时火花飞溅）被点燃。如果磨削粉尘与油漆或聚氨酯残余物或者其他化学原料混合，且磨料在长时间作业后产生高温时，会产生极大危险。
- ▶ 定期清洁电动工具的通风间隙。电动机风扇会将灰尘吸进机壳，过多的金属粉末沉积会导致电气危险。
- ▶ 固定好工件。使用固定装置或老虎钳固定工件，会比用手持握工件更牢固。

- ▶ **等待电动工具完全静止后才能够放下机器。** 机器上的工具可能在工作中被夹住，而令您无法控制电动工具。
- ▶ **工作时要使用双手握紧电动工具并确保站稳。** 使用双手才能够稳定地操作电动工具。

产品和性能说明



请阅读所有安全规章和指示。 不遵照以下警告和说明可能导致电击、着火和/或严重伤害。

请注意本使用说明书开头部分的图示。

按照规定使用

本电动工具适合在木材、金属和涂了油漆的表面进行干式平面研磨工作，磨除率高。

插图上的机件

机件的编号和电动工具详解图上的编号一致。

技术参数

砂带研磨机		GBS 750	GBS 750
物品代码		3 601 BC1 0E0 3 601 BC1 0H0 3 601 BC1 0K0 3 601 BC1 0L0	3 601 BC1 0D0 3 601 BC1 0G0
额定电压	伏特	230	127
额定输入功率	瓦	850	850
砂带空转转速	米/分钟	200-420	200-420
砂带长度	毫米	533	533
砂带宽度	毫米	75	75
砂带速度预选		●	●
机内吸尘装备/外接吸尘装备的接头		●	●
重量	公斤	3.6	3.6
保护等级		□/	□/

数据适用于给定的额定电压。对于其他不同的电压和国家规格，数据有可能不同。

数值可能因不同产品而异，并且受到应用和环境条件影响。更多信息请参见www.bosch-professional.com/wac。

安装

- ▶ **在电动工具上进行所有操作之前都必须从插座上拔出电源插头。**

吸锯尘/吸锯屑

含铅的颜料以及某些木材、矿物和金属的加工废尘有害健康。机器操作者或者工地附近的人如果接触、吸入这些废尘，可能会有过敏反应或者感染呼吸道疾病。

某些尘埃（例如加工橡木或山毛榉的废尘）可能致癌，特别是和处理木材的添加剂（例如木材的防腐剂等）结合之后。只有经过专业训练的人才能够加工含石棉的物料。

- 尽可能使用适合物料的吸尘装置。
- 工作场所要保持空气流通。

- (1) 辅助手柄（绝缘握柄）
- (2) 砂带
- (3) 砂带速度预选调节轮
- (4) 砂带夹紧杆
- (5) 起停开关
- (6) 起停开关的锁定按钮
- (7) 手柄（绝缘握柄）
- (8) 砂带走向调节钮
- (9) 排气孔接头
- (10) 集尘袋
- (11) 金属板
- (12) 羊毛毡
- (13) 前部碳刷支架附加盖板
- (14) 碳刷支架盖板（2个）
- (15) 碳刷支架（2个）以及碳刷

- 最好佩戴P2滤网等级的口罩。

请留心并遵守贵国和加工物料有关的法规。

- ▶ **避免让工作场所堆积过多的尘垢。** 尘埃容易被点燃。

利用集尘袋自集尘

针对小范围操作可以连接集尘袋（附件）(10)。将集尘袋接头牢固地插到吸尘器转换接口(9)上。请及时清空集尘袋(10)，以便保持最佳的集尘效果。

外部集尘

将集尘软管插到吸尘器转换接口(9)上。

将集尘软管与吸尘器连接。在本使用说明书的末尾可以找到各种吸尘器的连接概览。

根据工件的物料选择合适的吸尘装置。

吸尘可能危害健康，可能导致癌症或干燥的废尘时，务必使用特殊的吸尘装置。

更换砂带（参见插图A）

- 将夹紧杆(4)完全转出。此时砂带(2)已经被松开，可以取出。
- 放上新砂带(2)。请注意，砂带内侧和电动工具外壳上的箭头方向应一致。
- 将夹紧杆(4)再次转回初始位置。
- 用调节钮(8)调节砂带(2)，直至其稳定地位于砂带走向中间。

请注意，砂带(2)不得摩擦壳体。请定期检查砂带走向，必要时用调节钮(8)修正走向。

选择砂带

根据要加工的材料和需要的表面磨除量提供不同的砂带：

	目数
red:Wood	40–320
用于加工所有木质材料	
对于初磨，例如粗糙、未刨光的粗方木和木板	40, 60
用于平面打磨和磨平轻微的不平整表面	80, 100, 120, 150
在硬木上做最后的研磨和精磨工作	180, 220, 280, 320

运行

投入使用

- ▶ **注意电源电压！** 电源的电压必须和电动工具铭牌上标示的电压一致。

接通/关闭

- ▶ **请确保握住手柄时可以开启/关闭开关。**

如要**接通**电动工具，请按压电源开关(5)并按住。

如需**锁定**电源开关(5)，请按住该开关并另外按压锁定按钮(6)。

要**关闭**电动工具，松开电源开关(5)。电源开关(5)锁住时，先按压，然后再松开。

工作提示

- ▶ **在电动工具上进行所有操作之前都必须从插座上拔出电源插头。**

研磨时的磨除率和工件表面质量主要由所选砂带以及预选的砂带速度决定。砂带的转速越高，磨除率越大，研磨后的工件表面越细。

使用完好的砂带才能够确保研磨功率，并且保护电动工具。

尽可能使用较小的下压力操作电动工具，以便提高砂带的使用寿命。电动工具的自重足以产生优异的

研磨功率。过度下压机器不仅无法提高研磨功率，反而会加重电动工具和砂带的磨损。

把已接通的电动工具放在工件的表面上。轻轻地推进机器，磨轨必须彼此平行，互相重叠。必须顺着木材纤维的走向研磨。磨轨如果和木材纤维的走向交叉，会破坏研磨效果。

特别在磨除残留的油漆时，可能会造成油漆熔化并沾污工件表面和砂带。因此请配合吸尘装置工作。

不得使用研磨过金属的砂带去研磨其他物料。

请只使用**Bosch**原装研磨附件。

储放砂带时务必吊起砂带，不可以弯折砂带，经过弯折的砂带无法继续使用。

研磨较大的木材表面时，如果使用研磨框（附件），不仅研磨均匀而且可以设定磨除量。

维修和服务

保养和清洁

- ▶ **在电动工具上进行所有操作之前都必须从插座上拔出电源插头。**
- ▶ **电动工具和通气孔必须随时保持清洁，以确保工作效率和工作安全。**

如果必须更换连接线，务必把这项工作交给**Bosch**或者经授权的**Bosch**电动工具顾客服务执行，以避免危害机器的安全性能。

使用刷子清除附着在工件上的磨尘。

更换金属板（参见插图B）

将金属板(11)拧入羊毛毡(12)，可实现最佳的研磨效果。

金属板(11)出现和使用强度有关的磨损。更换金属板(11)时将砂带(2)取下。拧下金属板(11)，然后将其更换。

放入砂带后调节砂带走向（参见“更换砂带（参见插图A）”，页31）。

更换碳刷（参见插图C）

每2到3个月检查一次碳刷的长度，必要时更换两个碳刷。

切勿只更换一个碳刷！

提示：只能向博世购买针对该产品的碳刷。

- 用十字螺丝刀将前部附加盖板(13)上的螺栓移除。取下附加盖板。
- 用合适的螺丝刀将两侧盖板(14)上的螺栓移除。
- 更换处于弹簧压力下的碳刷(15)并再次拧上盖板。

客户服务和应用咨询

本公司顾客服务处负责回答有关本公司产品的修理、维护和备件的问题。备件的展开图纸和信息也可查看：www.bosch-pt.com

博世应用咨询团队乐于就我们的产品及其附件问题提供帮助。

询问和订购备件时，务必提供机器铭牌上标示的10位物品代码。

中国大陆

博世电动工具（中国）有限公司
 中国 浙江省 杭州市
 滨江区 滨康路567号
 102/1F 服务中心
 邮政编码：310052
 电话：(0571)8887 5566 / 5588
 传真：(0571)8887 6688 x 5566# / 5588#
 电邮：bsc.hz@cn.bosch.com
 www.bosch-pt.com.cn

制造商地址：

Robert Bosch Power Tools GmbH
 罗伯特·博世电动工具有限公司
 70538 Stuttgart / GERMANY
 70538 斯图加特 / 德国

其他服务地址请见：

www.bosch-pt.com/serviceaddresses

处理废弃物

必须以符合环保要求的方式回收再利用电动工具、附件和包装材料。



不可以把电动工具丢入家庭垃圾中！

繁體中文**安全注意事項****電動工具一般安全注意事項****警告**

請詳讀工作臺及電動工具的所有安全警告與使用說明。若不遵照以下列出的指示，將可能導致電擊、著火和 / 或人員重傷。

保存所有警告和說明書以備查閱。

在所有警告中，「電動工具」此一名詞泛指：以市電驅動的（有線）電動工具或是以電池驅動的（無線）電動工具。

工作場地的安全

- ▶ 保持工作場地清潔和明亮。混亂和黑暗的場地會引發事故。
- ▶ 不要在易爆環境，如有易燃液體、氣體或粉塵的環境下操作電動工具。電動工具產生的火花會點燃粉塵或氣體。
- ▶ 讓兒童和旁觀者離開後操作電動工具。注意力不集中會使您失去對工具的控制。

電氣安全

- ▶ 電動工具插頭必須與插座相配。絕不能以任何方式改裝插頭。需接地的電動工具不能使用任何轉

換插頭。未經改裝的插頭和相配的插座將減少電擊危險。

- ▶ 避免人體接觸接地表面，如管道、散熱片和冰箱。如果您身體接地會增加電擊危險。
- ▶ 不得將電動工具暴露在雨中或潮濕環境中。水進入電動工具將增加電擊危險。
- ▶ 不得濫用電線。絕不能用电線搬運、拉動電動工具或拔出其插頭。使電線遠離熱源、油、銳利邊緣或移動零件。受損或纏繞的軟線會增加電擊危險。
- ▶ 當在戶外使用電動工具時，使用適合戶外使用的延長線。適合戶外使用的軟線，將減少電擊危險。
- ▶ 如果在潮濕環境下操作電動工具是不可避免的，應使用剩餘電流動作保護器（RCD）。使用RCD可降低電擊危險。

人身安全

- ▶ 保持警覺，當操作電動工具時關注所從事的操作並保持清醒。當您感到疲倦，或在有藥物、酒精或治療反應時，不要操作電動工具。在操作電動工具時瞬間的疏忽會導致嚴重人身傷害。
- ▶ 使用個人防護裝置。始終佩戴護目鏡。安全裝置，諸如適當條件下使用防塵面具、防滑安全鞋、安全帽、聽力防護等裝置能減少人身傷害。
- ▶ 防止意外起動。確保開關在連接電源和 / 或電池盒、拿起或搬運工具時處於關閉位置。手指放在已接通電源的開關上或開關處於接通時插入插頭可能會導致危險。
- ▶ 在電動工具接通之前，拿掉所有調節鑰匙或扳手。遺留在電動工具旋轉零件上的扳手或鑰匙會導致人身傷害。
- ▶ 手不要伸展得太長。時刻注意立足點和身體平衡。這樣在意外情況下能很好地控制電動工具。
- ▶ 著裝適當。不要穿寬鬆衣服或佩戴飾品。讓您的衣物及頭髮遠離運動部件。寬鬆衣服、佩飾或長髮可能會捲入運動部件中。
- ▶ 如果提供了與排屑、集塵設備連接用的裝置，要確保他們連接完好且使用得當。使用這些裝置可減少塵屑引起的危險。
- ▶ 切勿因經常使用工具所累積的熟練感而過度自信，輕忽工具的安全守則。任何一個魯莽的舉動都可能瞬間造成人員重傷。

電動工具使用和注意事項

- ▶ 不要濫用電動工具，根據用途使用適當的電動工具。選用適當設計的電動工具會使您工作更有效、更安全。
- ▶ 如果開關不能開啟或關閉工具電源，則不能使用該電動工具。不能用開關來控制的電動工具是危險的且必須進行修理。
- ▶ 在進行任何調整、更換配件或貯存電動工具之前，必須從電源上拔掉插頭並 / 或取出電池盒。這種防護性措施將減少工具意外起動的危險。
- ▶ 將閒置不用的電動工具貯存在兒童所及範圍之外，並且不要讓不熟悉電動工具或對這些說明不瞭解的人操作電動工具。電動工具在未經培訓的用戶手中是危險的。

- ▶ **保養電動工具與配備。** 檢查運動件是否調整到位或卡住，檢查零件破損情況和影響電動工具運行的其他狀況。如有損壞，電動工具應在使用前修理好。許多事故由維護不良的電動工具引發。
- ▶ **保持切削刀具鋒利和清潔。** 保養良好的有鋒利切削刃的刀具不易卡住而且容易控制。
- ▶ **按照使用說明書，考慮作業條件和進行的作業來使用電動工具、配件和工具的刀頭等。** 將電動工具用於那些與其用途不符的操作可能會導致危險。
- ▶ **把手及握持區應保持乾燥、潔淨，且不得沾染任何油液或油脂。** 易滑脫的把手及握持區將無法讓您在發生意外狀況時安全地抓緊並控制工具。

檢修

- ▶ **將您的電動工具送交專業維修人員，必須使用同樣的備件進行更換。** 這樣將確保所維修的電動工具的安全性。

砂磨機安全注意事項

- ▶ **因為砂磨表面可能會接觸到本身的電線，請利用絕緣握持表面拿持電動工具。** 切割「導電」電線可能導致電動工具外露的金屬部件「導電」，進而使操作人員遭受電擊。
- ▶ **本電動工具僅適用於乾式研磨。** 水進入電動工具將增加電擊危險。
- ▶ **先啟動電動工具再把工具放置到工件上進行加工，並且待您將它提離工件後才可將它關閉。** 移動此電動工具可能會有瞬間暴衝之情形。
- ▶ **切勿碰觸運轉中的砂磨帶。** 人員可能有受傷之虞。
- ▶ **請戴上防護手套，切勿碰觸運轉中的砂磨帶。** 人員可能有受傷之虞。
- ▶ **請注意：噴濺的火花不會波及任何人。** 請將附近的易燃材料清走。研磨材料時會有火花噴濺。
- ▶ **請勿使用已完全磨損、已撕裂開來或嚴重受損的砂磨帶。** 受損的砂磨帶可能會扯破、被拋飛出來，進而造成人員受傷。
- ▶ **請注意：有失火之虞！請避免砂磨材料或砂帶機過熱。** 暫停作業之前請務必清空集塵容器。集塵袋、超微細過濾器、紙袋內（或吸塵器過濾器/濾材內）的研磨粉塵可能在不利條件下自行點燃，例如研磨金屬時所產生的火花。尤其是當研磨粉塵若混入殘留的烤漆、聚胺酯或其他化學物

技術性數據

砂帶研磨機	GBS 750		GBS 750
產品機號	3 601 BC1 0E0	3 601 BC1 0H0	3 601 BC1 0D0
	3 601 BC1 0K0	3 601 BC1 0L0	3 601 BC1 0G0
額定電壓	V	230	127
額定輸入功率	W	850	850
無負載磨砂帶轉速	m/min	200–420	200–420
磨砂帶長度	mm	533	533

質，而且在經過長時間運轉後砂磨材料的溫度又極高時，這種情形特別具危險性。

- ▶ **請定期清潔電動工具的通風口。** 電動機風扇會將灰塵吸進機殼，過多的金屬粉末沉積會導致電氣危險。
- ▶ **固定好工件。** 使用固定裝置或老虎鉗固定工件，會比用手持握工件更牢固。
- ▶ **必須等待電動工具完全靜止後才能將它放下。** 嵌件工具可能卡住而使電動工具失控。
- ▶ **作業期間請用雙手牢牢握緊電動工具並保持穩固。** 使用雙手才能夠更穩定地操作電動工具。

產品和功率描述



請詳讀所有安全注意事項和指示。如未遵守安全注意事項與指示，可能導致火災、人員遭受電擊及 / 或重傷。

請留意操作說明書中最前面的圖示。

依規定使用機器

本電動工具是設計用來進行乾式平面打磨，磨除效果強—適用的材料包含木材、金屬以及上漆表面。

插圖上的機件

機件的編號和電動工具詳解圖上的編號一致。

- (1) 輔助手柄（絕緣握柄）
- (2) 磨砂帶
- (3) 磨砂帶轉速設定轉鈕
- (4) 磨砂帶緊固扳桿
- (5) 起停開關
- (6) 起停開關鎖止按鈕
- (7) 把手（絕緣握柄）
- (8) 磨砂帶運行軌跡調整鈕
- (9) 排塵接管
- (10) 集塵袋
- (11) 金屬板
- (12) 羊毛氈
- (13) 前碳刷固定器的額外護蓋
- (14) 碳刷固定器的護蓋（2 x）
- (15) 附碳刷的碳刷固定器（2 x）

砂帶研磨機		GBS 750	GBS 750
磨砂帶寬度	mm	75	75
磨砂帶轉速預選		●	●
機內吸塵裝備 / 外接吸塵裝備的接頭		●	●
重量	kg	3.6	3.6
絕緣等級		□/	□/

該數據適用於指定的額定電壓。於使用不同電壓的地區，此數據有可能不同。

數值可能因產品而異，並受使用條件以及環境條件影響。進一步資訊請見www.bosch-professional.com/wac。

安裝

- ▶ **維修電動工具或換裝零、配件之前，務必從插座上拔出插頭。**

吸除廢塵 / 料屑

含鉛顏料、部分木材種類、礦石和金屬的加工廢塵有害健康。機器操作者或施工現場附近的人員如果接觸、吸入這些廢塵，可能會引發過敏反應或感染呼吸道疾病。

某些塵埃（例如加工橡木或山毛櫸的廢塵）可能致癌，特別是與處理木材的添加劑（例如木材的防腐劑等）結合之後。唯有受過專業訓練的人才能夠進行含石棉物料的加工。

- 儘可能使用適合物料的吸塵裝置。
- 工作場所要保持空氣流通。
- 建議佩戴 P2 過濾等級的口罩。

請留意並遵守貴國的物料加工相關法規。

- ▶ **避免讓工作場所堆積過多的塵垢。塵埃容易被點燃。**

機器本身的吸塵裝備

進行規模較小的作業時，您可連接集塵袋（配件）

(10)。將集塵袋套管插到排塵接管 (9)。請適時清空集塵袋 (10)，以維持最佳吸塵效果。

外接其他吸塵裝置

將吸塵管 插到排塵接管 (9) 上。

將吸塵軟管 與吸塵器連接起來。本手冊的最後面另外刊錄了連接不同類型吸塵器的操作概覽。

根據工件材質選擇合適的吸塵裝置。

吸集可能危害健康、可能致癌或乾燥的廢塵時，務必使用特殊吸塵裝置。

更換磨砂帶（請參考圖 A）

- 將緊固扳桿 (4) 翻轉至最外側。此時磨砂帶 (2) 即已鬆開，可將之取下。
- 套上新的磨砂帶 (2)。請注意：位於磨砂帶內側的箭頭方向必須與電動工具機殼上的箭頭方向一致。
- 將緊固扳桿 (4) 重新翻回原來位置。
- 使用軌跡調整鈕 (8) 調整磨砂帶，使磨砂帶 (2) 穩定置中於運行軌跡。

請注意：磨砂帶 (2) 不可磨到機殼。請定期檢查磨砂帶的運行軌跡，並視需要利用校正鈕 (8) 再後續調整。

選用磨砂帶

根據物料和需要的研磨效果，選擇合適的砂帶：

	粒度	
red:Wood		40-320
加工任一種木質材料		
粗加工研磨，例如未刨平的粗糙木樑及木板	粗	40、60
平面磨整以及整平凹凸不平處	中	80、100、120、150
在硬木上進行的最後一道研磨程序與精磨工作	細	180、220、280、320

操作

操作機器

- ▶ **注意電源的電壓！** 電源的電壓必須和電動工具銘牌上標示的電壓一致。

啟動 / 關閉

- ▶ **請確定您不用放開把手，就能操作起停開關。**

若要**啟動**電動工具，請按下起停開關 (5) 並按住不放。

若要**固定**起停開關 (5) 的位置，請將它按住不放並同時按壓鎖止按鍵 (6)。

若要**關閉**電動工具，放開起停開關 (5) 即可。起停開關 (5) 的位置若是已被鎖定，請按一下該開關然後放開。

作業注意事項

- ▶ **維修電動工具或換裝零、配件之前，務必從插座上拔出插頭。**

研磨時的磨除效率以及表面光潔度主要是由您選用的磨砂帶以及磨砂帶預設轉速決定。磨砂帶的轉速越高，磨除率越大，研磨後的工件表面越細。

使用完好無損的磨砂帶才能夠確保研磨功率佳，並且保護電動工具。

儘可能使用輕微的下壓力道操作電動工具，以提高磨砂帶的使用壽命。電動工具本身的重量已足以達到很好的研磨效果。在機器上施力過度，不僅無法提高研磨效率，機器反而容易損壞並加速磨砂帶耗損。

把已啟動的電動工具放到待加工的工件表面上。輕輕地推進機器。研磨軌跡必須彼此平行並互相重疊。必須順著木材纖維的走向研磨。研磨軌跡若與木材纖維走向交叉，將破壞研磨效果。

尤其是在磨除殘餘的漆料時，可能造成融化的油漆沾污了工件表面和磨砂帶。因此請您搭配吸塵裝置一起使用。

曾對金屬進行加工的磨砂帶就不應再用於其他材質。

僅可使用 **Bosch** 原廠研磨配件。

儲放磨砂帶時務必將它吊起，不可以彎折，彎折過的磨砂帶無法繼續使用。

在木材表面進行大面積的平面磨整時如果使用磨框（配件），不但可以確保獲取均勻的研磨效果並能夠控制磨除效率。

維修和服務

保養與清潔

- ▶ 維修電動工具或換裝零、配件之前，務必從插座上拔出插頭。
- ▶ 電動工具和通風口都必須保持清潔，這樣才能夠提高工作品質和安全性。

如果必須更換連接線，請務必交由 **Bosch** 或者經授權的 **Bosch** 電動工具顧客服務執行，以避免危害機器的安全性能。

用刷子清除黏附在工件上的磨塵。

更換金屬板（請參考圖 B）

金屬板(11) 會被鎖在羊毛氈(12) 上並促成最佳磨砂成果。

金屬板(11) 會視使用強度而定受到磨損。請取下磨砂帶(2) 以更換金屬板(11)。旋鬆金屬板(11) 並更換之。

裝上磨砂帶後校正運行軌跡（參見「更換磨砂帶（請參考圖 A）」，頁 34）。

更換碳刷（請參考圖 C）

每 2 至 3 個月就應檢查碳刷長度。必要時應同時更換兩個碳刷。

切勿僅單獨更換任一碳刷！

提示： 只能向博世購買針對該電動工具而設計的碳刷。

- 使用十字螺絲起子取走前額外護蓋 (13) 的螺絲。取下額外護蓋。
- 使用適合的螺絲起子取走兩邊護蓋 (14) 的螺絲。
- 更換透過彈簧固定的碳刷 (15) 然後將護蓋重新鎖好。

顧客服務處和顧客諮詢中心

本公司顧客服務處負責回答有關本公司產品的維修、維護和備用零件的問題。以下的網頁中有分解圖和備用零件相關資料：www.bosch-pt.com
如果對本公司產品及其配件有任何疑問，博世應用諮詢小組很樂意為您提供協助。

當您需要諮詢或訂購備用零件時，請務必提供本產品型號銘牌上 10 位數的產品機號。

台灣進口商

台灣羅伯特博世股份有限公司
建國北路一段 90 號 6 樓
台北市 10491
電話: (02) 7734 2588
傳真: (02) 2516 1176
www.bosch-pt.com.tw

製造商地址:

Robert Bosch Power Tools GmbH
羅伯特·博世電動工具有限公司
70538 Stuttgart / GERMANY
70538 斯圖加特/德國

以下更多客戶服務處地址:

www.bosch-pt.com/serviceaddresses

廢棄物處理

必須以符合環保的方式，回收再利用損壞的機器、配件和廢棄的包裝材料。

不可以把電動工具丟入家庭垃圾中。



ไทย

คำเตือนเพื่อความปลอดภัย

คำเตือนเพื่อความปลอดภัยทั่วไปสำหรับเครื่องมือไฟฟ้า

คำเตือน อ่านคำเตือนเพื่อความปลอดภัย คำแนะนำ ภาพประกอบ และข้อมูล

จำเพาะทั้งหมดที่จัดส่งมาพร้อมกับเครื่องมือไฟฟ้า การไม่ปฏิบัติตามคำแนะนำทั้งหมดที่ระบุไว้ด้านล่างนี้อาจทำให้เกิดไฟฟ้าดูด เกิดไฟไหม้ และ/หรือได้รับบาดเจ็บอย่างร้ายแรง

เก็บรักษาคำเตือนและคำสั่งทั้งหมดสำหรับเปิดอ่านในภายหลัง

คำว่า "เครื่องมือไฟฟ้า" ในคำเตือนหมายถึง เครื่องมือไฟฟ้าของท่านที่ทำงานด้วยพลังงานไฟฟ้าจากแหล่งจ่ายไฟหลัก (มีสายไฟฟ้า) และเครื่องมือไฟฟ้าที่ทำงานด้วยพลังงานไฟฟ้าจากแบตเตอรี่ (ไร้สาย)

ความปลอดภัยในสถานที่ทำงาน

- ▶ รักษาสถานที่ทำงานให้สะอาดและมีไฟส่องสว่างดี สถานที่ที่มีมืดหรือรกรุงรังนำมาซึ่งอุบัติเหตุ
- ▶ อย่าใช้เครื่องมือไฟฟ้าทำงานในสภาพบรรยากาศที่ติดไฟได้ เช่น ในที่มีมีของเหลวไวไฟ ก๊าซ หรือฝุ่น เมื่อใช้เครื่อง

มือไฟฟ้าจะเกิดประกายไฟซึ่งอาจจุดฝุ่นหรือไอให้ลุกเป็นไฟได้

- ▶ **ขณะใช้เครื่องมือไฟฟ้าทำงาน** ต้องกั้นเด็กและผู้ยืนดูให้ออกห่าง การหันเหความสนใจอาจทำให้ท่านขาดการควบคุมเครื่องมือ

ความปลอดภัยเกี่ยวกับไฟฟ้า

- ▶ **ปลั๊กของเครื่องมือไฟฟ้าต้องเหมาะสมพอดีกับเต้าเสียบ** อย่าตัดแปลงปลั๊กไม่ว่าในลักษณะใดๆ อย่าใช้ปลั๊กฟ่วงต่อใดๆ กับเครื่องมือไฟฟ้าที่มีสายดิน ปลั๊กที่ไม่ตัดแปลงและเต้าเสียบที่เข้ากันช่วยลดความเสี่ยงจากการถูกไฟฟ้าดูด
- ▶ **หลีกเลี่ยงอย่าให้ร่างกายสัมผัสกับพื้นผิวที่ต่อสายดินหรือลดกราวด์ไว้** เช่น ท่อ เครื่องทำความร้อน เตา และตู้เย็น จะเสี่ยงอันตรายจากการถูกไฟฟ้าดูดมากขึ้นหากกระแสไฟฟ้าวิ่งผ่านร่างกายของท่านลงดิน
- ▶ **อย่าให้เครื่องมือไฟฟ้าถูกฝนหรืออยู่ในสภาพเปียกชื้น** หากนำเข้าไปในเครื่องมือไฟฟ้า จะเพิ่มความเสี่ยงจากการถูกไฟฟ้าดูด
- ▶ **อย่าใช้สายไฟฟ้าในทางที่ผิด** อย่าใช้สายไฟฟ้าเพื่อยก ดึง หรือถ่วงปลั๊กเครื่องมือไฟฟ้า กับสายไฟฟ้่ออกทางจากความร้อน น้ำมัน ขอบแหลมคม หรือชิ้นส่วนที่เคลื่อนที่ สายไฟฟ้าที่ชำรุดหรือพันกันยุ่งเพิ่มความเสี่ยงจากการถูกไฟฟ้าดูด
- ▶ **เมื่อใช้เครื่องมือไฟฟ้าทำงานกลางแจ้ง** ให้ใช้สายไฟต่อที่เหมาะสมสำหรับการใช้งานกลางแจ้ง การใช้สายไฟต่อที่เหมาะสมสำหรับงานกลางแจ้ง จะช่วยลดอันตรายจากการถูกไฟฟ้าดูด
- ▶ **หากไม่สามารถหลีกเลี่ยงการใช้เครื่องมือไฟฟ้าทำงานในสถานที่เปียกชื้นได้** ให้ใช้สวิตช์ตัดวงจรเมื่อเกิดการรั่วไหลของไฟฟ้าจากสายดิน (RCD) การใช้สวิตช์ตัดวงจรเมื่อเกิดการรั่วไหลของไฟฟ้าจากสายดินช่วยลดความเสี่ยงต่อการถูกไฟฟ้าดูด

ความปลอดภัยของบุคคล

- ▶ **ท่านต้องอยู่ในสภาพเตรียมพร้อม** ระวังวังในสิ่งที่ท่านกำลังทำอยู่ และมีสติขณะใช้เครื่องมือไฟฟ้าทำงาน อย่าใช้เครื่องมือไฟฟ้าขณะที่ท่านกำลังเหนื่อย หรืออยู่ภายใต้การครอบงำของฤทธิ์ของยาเสพติด แอลกอฮอล์ และยา เมื่อใช้เครื่องมือไฟฟ้าทำงาน ในขั้นตอนที่ท่านขาดความเอาใจใส่อาจทำให้บุคคลมาดเจ็บอย่างรุนแรงได้
- ▶ **ใช้อุปกรณ์ปกป้องร่างกาย** สวมแว่นตาป้องกันเสมอ อุปกรณ์ปกป้อง เช่น หมวกกันน็อค รองเท้ากันลื่น หมวกแข็ง หรืออุปกรณ์กันเสียงดังที่เข้าตามความเหมาะสมกับสภาพการทำงาน จะลดการบาดเจ็บทางร่างกาย
- ▶ **ป้องกันการติดเครื่อง** โดยไม่ตั้งใจ ตรวจสอบให้แน่ใจว่าสวิตช์อยู่ในตำแหน่งปิดก่อนเชื่อมต่อเข้ากับแหล่งจ่ายไฟ และ/หรือแบตเตอรี่แพ็ค ยกหรือถือเครื่องมือ การถือเครื่องโดยใช้นิ้วหัวที่สวิตช์ หรือเสียบปลั๊กไฟฟ้าขณะสวิตช์เปิดอยู่ อาจนำไปสู่อุบัติเหตุที่ร้ายแรงได้
- ▶ **นำเครื่องมือปรับแต่งหรือปรับแก้ปากตายออกก่อนเปิดสวิตช์เครื่องมือไฟฟ้า** เครื่องมือหรือปรับแก้ปาก

ตายที่วางอยู่กับส่วนของเครื่องที่กำลังหมุนจะทำให้บุคคลมาดเจ็บได้

- ▶ **อย่าเชื่อมไกลเกินไป** ตั้งท้ายขึ้นที่มั่นคงและวางน้ำหนักให้สมดุลตลอดเวลา ในลักษณะนี้ท่านสามารถควบคุมเครื่องมือไฟฟ้าในสถานการณ์ที่ไม่คาดคิดได้ดีกว่า
- ▶ **แต่งกายอย่างเหมาะสม** อย่าใส่เสื้อผ้าหลวมหรือสวมเครื่องประดับ เหน็บผมและเสื้อผ้าออกจากชิ้นส่วนที่เคลื่อนที่ เสื้อผ้าหลวม เครื่องประดับ และผมยาวอาจเข้าไปติดในชิ้นส่วนที่เคลื่อนที่
- ▶ **หากเครื่องมือไฟฟ้ามีข้อเชื่อมต่อกับเครื่องดูดฝุ่นหรือเครื่องเก็บผง** ให้ตรวจสอบให้แน่ใจว่าได้เชื่อมต่อและใช้งานอย่างถูกต้อง การใช้อุปกรณ์ดูดฝุ่นช่วยลดอันตรายที่เกิดจากฝุ่นได้
- ▶ **เมื่อใช้งานเครื่องมืออย่างรุนแรง** จะเกิดความคุ้นเคย อย่าให้ความคุ้นเคยทำให้ท่านเกิดความประมาทและละเลยกฎเกณฑ์ตามความปลอดภัยในการใช้งานเครื่อง การทำงานอย่างไม่ระมัดระวังอาจทำให้เกิดการบาดเจ็บอย่างร้ายแรงภายในเสี้ยววินาที

การใช้และการดูแลรักษาเครื่องมือไฟฟ้า

- ▶ **อย่างผินกำลังเครื่องมือไฟฟ้า** ใช้เครื่องมือไฟฟ้าที่ถูกต้องตรงตามลักษณะงานของท่าน เครื่องมือไฟฟ้าที่ถูกต้องจะทำงานได้ดีกว่าและปลอดภัยกว่าในระดับสมรรถภาพที่ออกแบบไว้
- ▶ **อย่าใช้เครื่องมือไฟฟ้าถ้าสวิตช์ไม่สามารถเปิดปิดได้** เครื่องมือไฟฟ้าที่ไม่สามารถควบคุมการเปิดปิดด้วยสวิตช์ได้ เป็นเครื่องมือไฟฟ้าที่ไม่ปลอดภัยและต้องส่งซ่อมแซม
- ▶ **ก่อนปรับแต่งเครื่อง** เปลี่ยนอุปกรณ์ประกอบ หรือเก็บเครื่องเข้าที่ ต้องถอดปลั๊กออกจากแหล่งจ่ายไฟ และ/หรือถอดแบตเตอรี่แพ็คออกจากเครื่องมือไฟฟ้าหากถอดออกได้ มาตรการป้องกันเพื่อความปลอดภัยนี้ช่วยลดความเสี่ยงจากการติดเครื่องโดยไม่ตั้งใจ
- ▶ **เมื่อเลิกใช้งานเครื่องมือไฟฟ้า** ให้เก็บเครื่องมือไว้ในที่ที่เด็กหยิบไม่ถึง และไขกุญแจล็อคที่ล็อคกุญแจกับเครื่องมือบุคคลที่ไม่ได้อ่านคำแนะนำนำเหล่านี้ใช้เครื่องมือ เครื่องมือไฟฟ้าเป็นของอันตรายหากตกอยู่ในมือของผู้ใช้ที่ไม่ได้รับการฝึกฝน
- ▶ **บำรุงรักษาเครื่องมือไฟฟ้าและอุปกรณ์ประกอบ** ตรวจสอบชิ้นส่วนที่เคลื่อนที่ว่าวางไม่ตรงแนวหรือติดขัดหรือไม่ ตรวจสอบการแตกหักของชิ้นส่วนและสภาพอื่นใดที่อาจมีผลต่อการทำงานของเครื่องมือไฟฟ้า หากชำรุดต้องส่งเครื่องมือไฟฟ้าไปซ่อมแซมก่อนใช้งาน อุบัติเหตุหลายอย่างเกิดขึ้นเนื่องจากดูแลรักษาเครื่องมือไม่ดีพอ
- ▶ **รักษาเครื่องมือตัดที่คมและสะอาด** หากบำรุงรักษาเครื่องมือที่มีขอบตัดแหลมคมอย่างถูกต้อง จะสามารถตัดได้ลื่นไม่ติดขัดและควบคุมได้ง่ายกว่า
- ▶ **ใช้เครื่องมือไฟฟ้า** อุปกรณ์ประกอบ เครื่องมือ และอุปกรณ์อื่นๆ ตรงตามคำแนะนำเหล่านี้ โดยคำนึงถึงเงื่อนไขการทำงานและงานที่จะทำ การใช้เครื่องมือไฟฟ้าทำงานที่ต่างไปจากวัตถุประสงค์การใช้งานของเครื่อง อาจนำไปสู่สถานการณ์ที่เป็นอันตรายได้
- ▶ **ดูแลตามจับและพื้นผิวจับที่แห้ง สะอาด และปราศจากคราบน้ำมันและจาระบี** ตามจับและพื้นผิว

จับที่สั้นทำให้หยิบจับได้ไม่ปลอดภัย และไม่สามารถควบคุมเครื่องมือในสถานการณ์ที่ไม่คาดคิด

การบริการ

- ▶ **ส่งเครื่องมือไฟฟ้าของท่านเข้ารับบริการจากช่างซ่อมที่มีคุณสมบัติเหมาะสม โดยใส่ชื่อผลิตภัณฑ์ที่เหมือนกันเท่านั้น** ในลักษณะนี้ท่านจะแน่ใจได้ว่าเครื่องมือไฟฟ้าอยู่ในสภาพที่ปลอดภัย

คำเตือนเพื่อความปลอดภัยสำหรับเครื่องขัด

- ▶ **จับเครื่องมือไฟฟ้าตรงพื้นผิวจับที่หุ้มฉนวนเนื่องจากพื้นผิวขัดอาจสัมผัสสายไฟฟ้าของตัวเอง** หากตัดสายที่ “มีกระแสไฟฟ้า” ไหลผ่าน จะทำให้ชิ้นส่วนโลหะที่ไม่ได้หุ้มฉนวนของเครื่องมือไฟฟ้าเกิด “มีกระแสไฟฟ้า” ด้วย และส่งผลใหญ่ชิ้นงานเครื่องถูกไฟฟ้าดูดได้
- ▶ **ใช้เครื่องมือไฟฟ้าสำหรับกรัดขัดเท่านั้น** หากนำเข้าไปในเครื่องมือไฟฟ้า จะเพิ่มความเสี่ยงต่อการถูกไฟฟ้าดูด
- ▶ **จับเครื่องมือไฟฟ้าเข้าทำงานเมื่อเครื่องเปิดสวิตช์อยู่ที่เท่านั้น และปิดสวิตช์เครื่องมือโดยยกเครื่องออกจากชิ้นงานแล้วเท่านั้น** เครื่องมือไฟฟ้าอาจเคลื่อนที่อย่างกะทันหัน
- ▶ **อย่าสัมผัสสายพานกระดาดทรายที่กำลังวิ่งอยู่อย่างเด็ดขาด** อันตรายจากการบาดเจ็บ
- ▶ **สวมถุงมือป้องกัน และอย่าสัมผัสสายพานกระดาดทรายที่กำลังวิ่งอยู่อย่างเด็ดขาด** อันตรายจากการบาดเจ็บ
- ▶ **ตรวจสอบให้แน่ใจว่าจะไม่มีบุคคลใดได้รับอันตรายจากประกายไฟ นวัตกรรมดูไฟที่ติดไฟได้ในบริเวณใกล้เคียงออกไป จะเกิดประกายไฟเมื่อขัดโลหะ**
- ▶ **อย่าใช้สายพานกระดาดทรายที่เสื่อมสภาพ ฉีกขาด หรือหลุดดินมาก** สายพานกระดาดทรายที่ชำรุดอาจฉีกขาดเป็นชิ้นๆ ถูกเหวี่ยงจากเครื่อง และทำให้ผู้อื่นบาดเจ็บได้
- ▶ **ระวังอันตรายจากไฟไหม้!** หลีกเลี่ยงการทำวัสดุชิ้นงานและเครื่องขัดร่อนเกินไป ภายนอกออกจากกล่องเก็บผงก่อนทำงานทุกครั้ง ในสถานการณ์ที่ไม่เหมาะสม ต. ย. เช่น เมื่อเกิดประกายไฟขณะขัดโลหะ เศษผงที่ไต่จากการขัดที่อยู่ในถุงเก็บผง เครื่องกรองไมโคร หรือถูกกระดาด (หรือในถุงกรอง หรือตัวกรองของเครื่องดูดฝุ่น) อาจจุดลุกเป็นไฟขึ้นเองได้ จะเป็นอันตรายอย่างยิ่งเมื่อเมื่อเศษผงผสมปนกับเศษสารเคลือบเงา เศษโพลียูรีเทน หรือเศษวัสดุเคมีอื่นๆ และเมื่อเศษผงขัดเกิดร่อนขึ้นหลังจากใช้เครื่องทำงานเป็นเวลานาน
- ▶ **ทำความสะอาดช่องระบายอากาศของเครื่องมือไฟฟ้าอย่างสม่ำเสมอ** พัดลมของมอเตอร์จะดูดผง

ฝุ่นเข้าไปในหม้อครอบ และผงโลหะที่ฟุ้งสะสมกันมาก ๆ อาจทำให้เกิดอันตรายจากไฟฟ้าได้

- ▶ **ยึดชิ้นงานให้แน่น** การยึดชิ้นงานด้วยเครื่องมือหนีบหรือแท่นจับจะมั่นคงกว่าการยึดด้วยมือ
- ▶ **รอให้เครื่องมือไฟฟ้าหยุดสนิทก่อนวางเครื่องลงบนพื้น** เครื่องมือที่ใส่อยู่อาจติดขัดและทำให้สูญเสียการควบคุมเครื่องมือไฟฟ้า
- ▶ **จับเครื่องมือไฟฟ้าให้แน่นด้วยมือทั้งสองข้างและตั้งท่ายืนให้มั่นคงขณะทำงาน** ท่านจะสามารถนำทางเครื่องมือไฟฟ้าได้ปลอดภัยกว่าเมื่อจับเครื่องมือทั้งสองข้าง

รายละเอียดผลิตภัณฑ์และข้อมูลจำเพาะ



อ่านคำเตือนเพื่อความปลอดภัยและคำแนะนำทั้งหมด การไม่ปฏิบัติตามคำเตือนและคำสั่ง อาจเป็นสาเหตุใหญ่ถูกไฟฟ้าดูด เกิดไฟไหม้ และ/หรือได้รับบาดเจ็บอย่างร้ายแรง

กรุณาดูภาพประกอบในส่วนหน้าของคู่มือการใช้งาน

ประโยชน์การใช้งานของเครื่อง

เครื่องมือไฟฟ้านี้ใช้สำหรับขัดพื้นผิวแห้งบนไม้และโลหะ รวมถึงผิวเคลือบเงา ซึ่งต้องอาศัยกำลังในการกำจัดเนื้อวัสดุสูง

ส่วนประกอบที่แสดงในภาพ

ลำดับเลขของส่วนประกอบผลิตภัณฑ์อ้างอิงถึงส่วนประกอบของเครื่องมือไฟฟ้าที่แสดงในหน้าภาพประกอบ

- (1) ตามจับเสริม (พื้นผิวจับหุ้มฉนวน)
- (2) สายพานกระดาดทราย
- (3) ล้อปรับเลือกความเร็วสายพานล่องหน้า
- (4) คันหนีบสายพานกระดาดทราย
- (5) สวิตช์เปิด/ปิด
- (6) ปุ่มล็อคสวิตช์เปิด/ปิด
- (7) ตามจับ (พื้นผิวจับหุ้มฉนวน)
- (8) ปุ่มปรับการวิ่งของสายพาน
- (9) ช่องระบายออก
- (10) ถุงเก็บผง
- (11) แผ่นโลหะ
- (12) แผ่นล็กหลาดชนแกะ
- (13) ฝาครอบเสริมสำหรับตัวยึดแปร่งถ่านด้านหน้า
- (14) ฝาครอบสำหรับตัวยึดแปร่งถ่านด้านหน้า (2 ชั้น)
- (15) ตัวยึดแปร่งถ่านด้านหน้า (2 ชั้น) พร้อมแปร่งถ่าน

ข้อมูลทางเทคนิค

เครื่องขัดกระดาดทรายสายพาน	GBS 750	GBS 750
หมายเลขสินค้า	3 601 BC1 0E0 3 601 BC1 0H0	3 601 BC1 0D0 3 601 BC1 0G0

เครื่องจักรกระตมทรายสายพาน		GBS 750	GBS 750
		3 601 BC1 0K0 3 601 BC1 0L0	
แรงดันไฟฟ้ากัก	โวลท์	230	127
กำลังไฟฟ้ากัก	วัตต์	850	850
ความเร็วสายพานขณะเดินตัวเปล่า	ม./นาที	200-420	200-420
ความยาวสายพานกระตมทราย	มม.	533	533
ความกว้างสายพานกระตมทราย	มม.	75	75
ค่าพีซีดีความเร็วสายพาน		●	●
การเชื่อมต่อสำหรับการดูดฝุ่นภายใน/ภายนอก		●	●
น้ำหนัก	กก.	3.6	3.6
ระดับการป้องกัน		□/	□/

ข้อมูลนี้ใช้กับแรงดันไฟฟ้าที่ระบุ ค่าเหล่านี้อาจเปลี่ยนแปลงไปสำหรับแรงดันไฟฟ้าที่แตกต่างกันและโมเดลที่ผลิตสำหรับเฉพาะประเทศ
ค่าอาจแตกต่างกันไปตามผลิตภัณฑ์และขึ้นอยู่กับเงื่อนไขการใช้งานและสภาพแวดล้อม โปรดดูข้อมูลเพิ่มเติมที่เว็บไซต์
www.bosch-professional.com/wac

การติดตั้ง

▶ ดึงปลั๊กไฟออกจากเต้าเสียบก่อนปรับแต่งเครื่อง

การดูดฝุ่น/ซีลื้อย

ฝุ่นที่ได้จากวัสดุ เช่น เคลือบผิวที่มีสารตะกั่ว ไม้ยางประเภท
แร่ธาตุ และโลหะ อาจเป็นอันตรายต่อสุขภาพ การ
สัมผัสหรือการหายใจเอาฝุ่นเข้าไปอาจทำให้เกิดปฏิกิริยาแพ้
ฝุ่น และ/หรือนำมาซึ่งโรคติดเชื้อระบบหายใจเฉียบ
พลหรือผู้ที่อยู่ในกลุ่มเสี่ยง
ฝุ่นบางประเภท เช่น ฝุ่นไม้โอ๊ก หรือไม้มีขี้ผึ้ง
เป็นสารที่ทำให้เกิดมะเร็ง โดยเฉพาะอย่างยิ่งเมื่อผสม
กับสารเติมแต่งเพื่อบำบัดไม้ (โครเมียม ผลิตภัณฑ์รักษาเนื้อไม้)
สำหรับวัสดุที่มีแอลเบสทอสตองให้ผู้เชี่ยวชาญทำงานเท่านั้น

- ใช้ระบบดูดฝุ่นออกที่เหมาะสมกับประเภทวัสดุ มากเท่า
ที่จะทำได้
- จัดสถานที่ทำงานให้มีการระบายอากาศที่ดี
- ขอแนะนำให้สวมหน้ากากป้องกันการติดเชื้อที่มีระดับ-ไล์
กรอง P2

ปฏิบัติตามกฎข้อบังคับสำคัญอื่นๆ ที่เกี่ยวกับวัสดุชิ้นงาน
ที่บังคับใช้ในประเทศของท่าน

▶ ป้องกันการสะสมของฝุ่นในสถานที่ทำงาน ฝุ่นสามารถถูก ไหลอย่างง่ายดาย

การดูดฝุ่นในตัวพร้อมถุงเก็บฝุ่น

สำหรับการดำเนินงานเล็กน้อย คุณสามารถเชื่อมต่อถุงเก็บฝุ่น
(อุปกรณ์เสริม) (10) ได้ เสียบข้อต่อถุงเก็บฝุ่นให้แน่นขายน
ข้อต่อเข้าออก (9) ถ่ายถุงเก็บฝุ่น (10) ออกให้หมดอย่างทัน
ท่วงทีเพื่อให้อากาศดูดฝุ่นมีประสิทธิภาพมากที่สุด

การดูดฝุ่นด้วยเครื่องดูดฝุ่นภายนอก

สวมท่อดูดฝุ่น เขวนทอระบายออก (9)
ต่อท่อดูดฝุ่น เข้ากับเครื่องดูดฝุ่น กรุณาดูภาพรวมการเชื่อมต่อ
กับเครื่องดูดฝุ่นต่างๆ ในตอนท้ายของคู่มือการใช้งาน

เครื่องดูดฝุ่นต้องมีลักษณะการใช้งานที่เหมาะสม
กับประเภทวัสดุชิ้นงาน

ใบกรณีดูดฝุ่นแห้งที่เป็นอันตรายต่อสุขภาพอย่าง
ยิ่งหรืออาจก่อให้เกิดมะเร็งได้ ให้ใช้เครื่องดูดฝุ่นพิเศษ

การเปลี่ยนสายพานกระตมทราย (ดูภาพประกอบ A)

- หมุนคันหนีม (4) ออกจนสุด ตอนนี้สายพานกระตมทราย
(2) จะคลายออกและสามารถถอดออกมาได้
- ใส่สายพานกระตมทรายเส้นใหม่ (2) เข้าไป ตรวจสอบ
ให้แน่ใจว่าทิศทางลูกศรที่ด้านในสายพานกระตมทราย
ตรงกับทิศทางที่ตัวเรือนเครื่องมือไฟฟ้า
- หมุนคันหนีม (4) กลับเข้าตำแหน่งเดิม
- ปรับตั้งสายพานกระตมทราย (2) โดยใช้ปุ่มปรับแนว (8)
เพื่อให้สายพานอยู่ในตำแหน่งเขาที่ตรงกลางสายพาน
ตรวจสอบให้แน่ใจว่าสายพานกระตมทราย (2) ไม่เสียดสี
กับกรอบเครื่อง ตรวจสอบการวิ่งของสายพานอย่างสม่ำเสมอ
และปรับด้วยปุ่มปรับ (8) หากจำเป็น

การเลือกสายพานกระตมทราย

เลือกใส่สายพานกระตมทรายชนิดต่างๆ กัน ตามประเภท
วัสดุชิ้นงาน และตามความหนาที่ต้องการขัดออก

	ขนาดเม็ด
red:Wood	40-320
สำหรับขัดวัสดุที่ทำจากไม้ทั้งหมด	
สำหรับขัดหยาบ ต. ย. เช่น ไม้คานและ หยาบ	40, 60
แผ่นกระตมที่ขรุขระไม่ราบเรียบ	
สำหรับขัดแต่งพื้นหน้าและปรับผิว	ปาน 80, 100,
ขรุขระเล็กน้อยให้เรียบ	กลาง 120, 150
สำหรับขัดสำเร็จและขัดละเอียดไม้เนื้อ ละเอียด	180, 220,
แข็ง	

ขนาดเม็ด

280,
320

การปฏิบัติงาน

การเริ่มต้นปฏิบัติงาน

- ▶ **ให้สังเกตแรงดันไฟฟ้า!** แรงดันไฟฟ้าจากแหล่งจ่ายไฟฟ้าต้องมีค่าตรงกับค่าแรงดันไฟฟ้าที่ระบุไว้บนแผ่นป้ายกำกับเครื่อง

การเปิด-ปิดเครื่อง

- ▶ **ตรวจสอบให้แน่ใจว่าท่านสามารถใช้งานสวิตช์เปิด-ปิดได้โดยไม่ต้องปล่อยตามจับ**

เปิดสวิตช์ เครื่องมือไฟฟ้าโดยกดสวิตช์เปิด-ปิด (5) และกดค้างไว้

ล็อกสวิตช์เปิด-ปิด (5) โดยกดสวิตช์เปิด-ปิดค้างไว้ และกดปุ่มล็อกสวิตช์เปิด-ปิด (6) เพิ่ม

ปิดสวิตช์ เครื่องมือไฟฟ้าโดยปล่อยนิ้วจากสวิตช์เปิด-ปิด (5) ในกรณีที่สวิตช์เปิด-ปิด (5) ถูกล็อกอยู่ โหมดสวิตช์เปิด-ปิดก่อนและปล่อยนิ้ว

ข้อแนะนำในการทำงาน

- ▶ **ดึงปลั๊กไฟออกจากเต้าเสียบก่อนปรับแต่งเครื่อง**

การเลือกสายพานกระดาดทรายและความเร็วของสายพานที่ตั้งไว้ล่วงหน้าคือปัจจัยหลักที่กำหนดคุณภาพพื้นผิวและอัตราการกัดออก ยิ่งสายพานมีความเร็วสูง ยิ่งกัดออกได้มาก และพื้นผิวที่กัดยิ่งมีความละเอียดมาก

สายพานกระดาดทรายสภาพดีเท่านั้นที่จะกัดได้ดีและทำให้เครื่องมือไฟฟ้ามียูการใช้งานยาวนานขึ้น

ทำงานโดยใช้แรงกดขั้นต่ำที่สุดเท่าที่เป็นไปได้ ทั้งนี้เพื่อยืดอายุการใช้งานของสายพานกระดาดทราย นำหนักของเครื่องมือไฟฟ้าเองเพียงพอสำหรับการกัดที่ดี การเพิ่มแรงกดขัดมากเกินไปจะไม่เพิ่มประสิทธิภาพการกัด แต่จะทำให้เครื่องมือไฟฟ้าและสายพานกระดาดทรายสึกหรอมากขึ้น

จับเครื่องมือไฟฟ้าเข้าทำงานเฉพาะเมื่อเครื่องเปิดสวิตช์อยู่เท่านั้น ทำงานโดยป้อนเครื่องไปข้างหน้าด้วยความเร็วปานกลาง และขัดเป็นแนวขนานและทับซ้อนเส้นทางขัด ขัดตามทิศทางของเส้นใย การขัดขวางสายทำให้ได้ผลขัดที่ไม่ราบเรียบ

โดยเฉพาะอย่างยิ่งเมื่อขัดเคลือบเงาตกค้าง เคลือบเงาอาจหลอมละลายและทำให้พื้นผิวของชิ้นงานและสายพานกระดาดทรายเมื่อนเลอะได้ ดังนั้นให้ทำงานพร้อมการดูดฝุ่นออก

สายพานกระดาดทรายที่ขัดโลหะไปแล้ว ไม่ควรนำมาขัดวัสดุประเภทอื่น

ใช้เฉพาะอุปกรณ์ขัดของแท้ **Bosch** เท่านั้น

เก็บรักษาสายพานกระดาดทรายโดยการแขวนไว้เท่านั้น และอย่าพบบนเพราะจะทำให้สายพานใช้งานไม่ได้ กรอบขัด (อุปกรณ์ประกอบ) ช่วยให้สามารถขัดออกได้อย่างสม่ำเสมอและควบคุมได้ เมื่อขัดราบบนพื้นผิวไม่ขนาดใหญ่มาก

การบำรุงรักษาและการบริการ

การบำรุงรักษาและการทำความสะอาด

- ▶ **ดึงปลั๊กไฟออกจากเต้าเสียบก่อนปรับแต่งเครื่อง**
- ▶ **เพื่อให้ทำงานได้อย่างถูกต้องและปลอดภัย ต้องรักษาเครื่องและช่องระบายอากาศให้สะอาดอยู่เสมอ**

หากจำเป็นต้องเปลี่ยนสายไฟฟ้า ต้องส่งเครื่องให้ **Bosch** หรือศูนย์บริการหลังการขายที่ได้รับมอบหมายสำหรับเครื่องมือไฟฟ้า **Bosch** เปลี่ยนให้ ทั้งนี้เพื่อหลีกเลี่ยงอันตราย ไขแปรงปิดผงขัดที่ติดแน่นออก

การเปลี่ยนแผ่นโลหะ (ดูภาพประกอบ B)

แผ่นโลหะ (11) จะถูกขันยึดบนแผ่นลึกลาดขนแกะ (12) และช่วยใหรูปแบบการขัดมีประสิทธิภาพสูงสุด แผ่นโลหะ (11) อาจสึกหรอตามปริมาณการใช้งาน สำหรับการเปลี่ยนแผ่นโลหะ (11) ให้นำสายพานกระดาดทราย (2) ออก คลายสกรูที่แผ่นโลหะ (11) แล้วเปลี่ยนแผ่นโลหะ หลังจากจัดวางสายพานกระดาดทรายแล้ว ให้ปรับแนวล้อสายพานให้ตรงกัน (ดู "การเปลี่ยนสายพานกระดาดทราย (ดูภาพประกอบ A)", หน้า 38) ที่อยู่ด้านหน้าหรือด้านข้างสั้นๆ

การเปลี่ยนแปลงถ่าน (ดูภาพประกอบ C)

ตรวจสอบความยาวของแปรถ่านประมาณทุกๆ 2-3 เดือน และเปลี่ยนแปรถ่านใหม่ หากจำเป็น อย่าเปลี่ยนแปรถ่านเพียงแท่งเดียวอย่างเด็ดขาด!

หมายเหตุ: ไขเฉพาะแปรถ่านที่ บอช จัดส่งและมีไว้สำหรับผลิตภัณฑ์ของท่านเท่านั้น

- คลายสกรูที่ฝาครอบเสริมด้านหน้า (13) โดยใช้ไขควงปากแฉก ถอดฝาครอบเสริมออก
- คลายสกรูที่ฝาครอบ (14) ทั้งสองด้านโดยใช้ไขควงที่เหมาะสม
- เปลี่ยนแปรถ่าน (15) ที่อยู่ภายใต้แรงกดสปริง และขันฝาครอบกลับเข้าที่

การบริการหลังการขายและการให้คำปรึกษาการใช้

ศูนย์บริการหลังการขายของเรายินดีตอบคำถามของท่านที่เกี่ยวกับการบำรุงรักษาและการซ่อมแซมผลิตภัณฑ์รวมทั้งเรื่องอะไหล่ ภาพเขียนแบบการประกอบและข้อมูลเกี่ยวกับอะไหล่ กรุณาดูใน: www.bosch-pt.com ที่สถานที่บริการของ บอช ยินดีให้ข้อมูลเกี่ยวกับผลิตภัณฑ์ของเราและอุปกรณ์ประกอบต่างๆ เมื่อต้องการสอบถามและสั่งซื้ออะไหล่ กรุณาแจ้งหมายเลขสินค้า 10 หลักบนแผ่นป้ายรุ่นของผลิตภัณฑ์ทุกครั้ง

ไทย

ไทย บริษัท โรเบิร์ต บอช จำกัด
เอพวยไอ เซ็นเตอร์ อาคาร 1 ชั้น 5
เลขที่ 2525 ถนนพระราม 4
แขวงคลองเตย เขตคลองเตย กรุงเทพฯ 10110
โทร: +66 2012 8888
แฟกซ์: +66 2064 5800
www.bosch.co.th

ศูนย์บริการซ่อมและฝึกอบรม บอช
อาคาร ลาซาลทาวเวอร์ ชั้น G ห้องเลขที่ 2
บ้านเลขที่ 10/11 หมู่ 16
ถนนศรีนครินทร์ ตำบลบางแก้ว อำเภอบางพลี
จังหวัดสมุทรปราการ 10540
ประเทศไทย
โทรศัพท์ 02 7587555
โทรสาร 02 7587525

สามารถดูที่อยู่ศูนย์บริการอื่นๆ ได้ที่:
www.bosch-pt.com/serviceaddresses

การกำจัดขยะ

เครื่องมือไฟฟ้า อุปกรณ์ประกอบ และที่บ่อ ต้องนำไปแยกประเภทเพื่อการรีไซเคิลที่เป็นมิตรต่อสิ่งแวดล้อมอย่างทิ้งเครื่องมือไฟฟ้าลงในขยะบ้าน!



Bahasa Indonesia

Petunjuk Keselamatan

Petunjuk keselamatan umum untuk perkakas listrik

⚠ PERINGATAN Baca semua peringatan, petunjuk, ilustrasi, dan spesifikasi

keselamatan yang diberikan bersama perkakas listrik ini. Kesalahan dalam menjalankan petunjuk di bawah ini dapat mengakibatkan sengatan listrik, kebakaran, dan/atau cedera serius.

Simpanlah semua peringatan dan petunjuk untuk penggunaan di masa mendatang.

Istilah "perkakas listrik" dalam peringatan mengacu pada perkakas listrik yang dioperasikan dengan listrik (menggunakan kabel) atau perkakas listrik yang dioperasikan dengan baterai (tanpa kabel).

Keamanan tempat kerja

- ▶ **Jaga kebersihan dan pencahayaan area kerja.** Area yang berantakan atau gelap dapat memicu kecelakaan.
- ▶ **Jangan mengoperasikan perkakas listrik di lingkungan yang dapat memicu ledakan, seperti adanya cairan, gas, atau debu yang mudah terbakar.** Perkakas listrik dapat memancarkan bunga api yang kemudian mengakibatkan debu atau uap terbakar.
- ▶ **Jauhkan dari jangkauan anak-anak dan pengamat saat mengoperasikan perkakas listrik.** Gangguan dapat menyebabkan hilangnya kendali.

Keamanan listrik

- ▶ **Steker perkakas listrik harus sesuai dengan stopkontak. Jangan pernah memodifikasi steker. Jangan menggunakan steker adaptor bersama dengan perkakas listrik yang terhubung dengan sistem grounding.** Steker yang tidak dimodifikasi dan stopkontak yang cocok akan mengurangi risiko sengatan listrik.
- ▶ **Hindari kontak badan dengan permukaan yang terhubung dengan sistem grounding, seperti pipa, radiator, kompor, dan lemari es.** Terdapat peningkatan risiko terjadinya sengatan listrik jika badan Anda terhubung dengan sistem grounding.
- ▶ **Perkakas listrik tidak boleh terpapar hujan atau basah.** Air yang masuk ke dalam perkakas listrik menambah risiko terjadinya sengatan listrik.
- ▶ **Jangan menyalahgunakan kabel. Jangan gunakan kabel untuk membawa, menarik, atau melepas steker perkakas listrik. Jauhkan kabel dari panas, minyak, tepi yang tajam, atau komponen yang bergerak.** Kabel listrik yang rusak atau tersangkut menambah risiko terjadinya sengatan listrik.
- ▶ **Saat mengoperasikan perkakas listrik di luar ruangan, gunakan kabel ekstensi yang sesuai untuk penggunaan di luar ruangan.** Penggunaan kabel yang cocok untuk pemakaian di luar ruangan mengurangi risiko terjadinya sengatan listrik.
- ▶ **Jika perkakas listrik memang harus dioperasikan di tempat yang lembap, gunakan pemutus arus listrik residu (RCD).** Penggunaan RCD akan mengurangi risiko terjadinya sengatan listrik.

Keselamatan personel

- ▶ **Tetap waspada, perhatikan aktivitas yang sedang dikerjakan dan gunakan akal sehat saat mengoperasikan perkakas listrik. Jangan gunakan perkakas listrik saat mengalami kelelahan atau di bawah pengaruh narkoba, alkohol, atau obat-obatan.** Jika perkakas listrik dioperasikan dengan daya konsentrasi yang rendah, hal tersebut dapat menyebabkan cedera serius.
- ▶ **Gunakan peralatan pelindung diri. Selalu kenakan pelindung mata.** Penggunaan perlengkapan pelindung seperti penutup telinga, helm, sepatu anti licin, dan masker debu akan mengurangi cedera.
- ▶ **Hindari start yang tidak disengaja. Pastikan switch berada di posisi off sebelum perkakas listrik dihubungkan ke sumber daya listrik dan/atau baterai, diangkat, atau dibawa.** Membawa perkakas listrik dengan jari menempel pada tombol atau perkakas listrik dalam keadaan hidup dapat memicu kecelakaan.
- ▶ **Singkirkan kunci penyetel atau kunci pas sebelum menghidupkan perkakas listrik.** Perkakas atau kunci pas yang masih menempel pada komponen perkakas listrik yang berputar dapat menyebabkan cedera.
- ▶ **Jangan melampaui batas. Berdirilah secara mantap dan selalu jaga keseimbangan.** Hal ini akan

memberikan kontrol yang lebih baik terhadap perkakas listrik pada situasi yang tak terduga.

- ▶ **Kenakan pakaian dengan wajar. Jangan mengenakan perhiasan atau pakaian yang longgar. Jauhkan rambut dan pakaian dari komponen yang bergerak.** Pakaian yang longgar, rambut panjang, atau perhiasan dapat tersangkut dalam komponen yang bergerak.
- ▶ **Jika disediakan perangkat untuk sambungan pengisapan debu dan alat pengumpulan, pastikan perangkat tersebut terhubung dan digunakan dengan benar.** Penggunaan alat pengumpulan dapat mengurangi bahaya yang disebabkan oleh debu.
- ▶ **Jangan berpuas diri dan mengabaikan prinsip keselamatan karena terbiasa mengoperasikan perkakas.** Tindakan yang kurang hati-hati dapat mengakibatkan cedera serius dalam waktu sepersekian detik.

Penggunaan dan pemeliharaan perkakas listrik

- ▶ **Jangan memaksakan perkakas listrik. Gunakan perkakas listrik yang sesuai untuk pekerjaan yang dilakukan.** Perkakas listrik yang sesuai akan bekerja dengan lebih baik dan aman sesuai tujuan penggunaan.
- ▶ **Jangan gunakan perkakas listrik dengan switch yang tidak dapat dioperasikan.** Perkakas listrik yang switchnya yang tidak berfungsi dapat menimbulkan bahaya dan harus diperbaiki.
- ▶ **Lepaskan steker dari sumber listrik dan/atau lepas baterai, jika dapat dilepaskan dari perkakas listrik sebelum menyatel, mengganti aksesoris, atau menyimpan perkakas listrik.** Tindakan preventif akan mengurangi risiko menghidupkan perkakas listrik secara tidak disengaja.
- ▶ **Jauhkan dan simpan perkakas listrik dari jangkauan anak-anak dan jangan biarkan orang-orang yang tidak mengetahui cara menggunakan perkakas listrik, mengoperasikan perkakas listrik.** Perkakas listrik dapat membahayakan jika digunakan oleh orang-orang yang tidak terlatih.
- ▶ **Lakukan pemeliharaan perkakas listrik dan aksesoris. Periksa komponen yang bergerak apabila tidak lurus atau terikat, kerusakan komponen, dan kondisi lain yang dapat mengganggu pengoperasian perkakas listrik. Apabila rusak, perbaiki perkakas listrik sebelum digunakan.** Kecelakaan sering terjadi karena perkakas listrik tidak dirawat dengan baik.
- ▶ **Jaga ketajaman dan kebersihan alat.** Alat pemotong dengan pisau pemotong yang tajam dan dirawat dengan baik tidak akan mudah tersangkut dan lebih mudah dikendalikan.
- ▶ **Gunakan perkakas listrik, aksesoris, dan komponen perkakas dll sesuai dengan petunjuk ini, dengan mempertimbangkan kondisi kerja dan pekerjaan yang akan dilakukan.** Penggunaan perkakas listrik untuk tujuan berbeda dari fungsinya dapat menyebabkan situasi yang berbahaya.

- ▶ **Jaga gagang dan permukaan genggam agar tetap kering, bersih, dan bebas dari minyak dan lemak.** Gagang dan permukaan genggam yang licin tidak menjamin keamanan kerja dan kontrol alat yang baik pada situasi yang tidak terduga.

Servis

- ▶ **Minta teknisi berkualifikasi untuk menyervis perkakas listrik dengan hanya menggunakan suku cadang yang identik.** Dengan demikian, hal ini akan memastikan keamanan perkakas listrik.

Petunjuk keselamatan untuk gerinda

- ▶ **Pegang perkakas listrik pada permukaan gagang isolator karena permukaan pengampelas dapat bersentuhan dengan kabelnya sendiri.** Memotong kabel yang dialiri listrik dapat menyebabkan bagian logam perkakas listrik dialiri listrik, sehingga berisiko mengakibatkan sengatan listrik pada operator.
- ▶ **Hanya gunakan perkakas listrik untuk melakukan penggerindaan kering.** Air yang masuk ke dalam perkakas listrik menambah risiko terjadinya kontak listrik.
- ▶ **Nyalakan perkakas listrik hanya ketika perkakas listrik menyentuh benda kerja dan matikan setelah perkakas listrik diangkat dari benda kerja.** Perkakas listrik dapat bergerak secara tiba-tiba.
- ▶ **Jangan menyentuh sabuk gerinda yang sedang bergerak.** Terdapat risiko cedera.
- ▶ **Gunakan sarung tangan pelindung dan jangan menyentuh sabuk gerinda yang sedang bergerak.** Terdapat risiko cedera.
- ▶ **Pastikan tidak ada orang yang terkena bahaya percikan api. Jauhkan material yang mudah terbakar dari sekitar perkakas listrik.** Penggerindaan logam akan menghasilkan percikan api.
- ▶ **Jangan gunakan sabuk gerinda yang sudah mengalami keausan, sobek, atau sudah sangat usang.** Sabuk gerinda yang rusak dapat sobek, terlempar, dan melukai seseorang.
- ▶ **Waspada terhadap risiko terbakar! Hindari benda kerja dan gerinda agar tidak menjadi terlalu panas. Kosongkan kontainer debu sebelum Anda menghentikan pekerjaan sementara.** Debu penggerindaan pada kantung debu, microfilter, kantung kertas (atau pada kantung filter atau filter pengisap debu) dapat terbakar dengan sendirinya pada kondisi tertentu, misalnya akibat percikan api saat penggerindaan logam. Khususnya, terdapat bahaya jika debu penggerindaan tercampur dengan sisa cat, sisa poliuretana, atau bahan kimia lainnya dan benda kerja dalam keadaan panas setelah penggerindaan dalam waktu yang lama.
- ▶ **Bersihkan lubang ventilasi pada perkakas listrik secara rutin.** Kipas angin motor menarik debu ke dalam rumahannya dan debu logam dalam jumlah yang besar dan listrik bisa mengakibatkan bahaya.

- ▶ **Gunakan alat kerja dengan aman.** Benda yang ditahan dalam alat pemegang atau bais lebih aman daripada benda yang dipegang dengan tangan.
- ▶ **Sebelum meletakkan perkakas listrik, tunggulah hingga perkakas berhenti berputar.** Alat kerja dapat tersangkut dan menyebabkan perkakas listrik tidak dapat dikendalikan.
- ▶ **Pegang erat perkakas listrik dengan kedua tangan selama mengoperasikannya dan pastikan Anda berdiri di posisi aman.** Gunakan perkakas listrik dengan kedua tangan secara hati-hati.

Spesifikasi produk dan performa



Bacalah semua petunjuk keselamatan dan petunjuk penggunaan. Kesalahan dalam menjalankan petunjuk keselamatan dan petunjuk penggunaan dapat mengakibatkan kontak listrik, kebakaran, dan/atau luka-luka yang berat.

Perhatikan ilustrasi yang terdapat pada sisi sampul panduan pengoperasian.

Tujuan penggunaan

Perkakas listrik digunakan untuk mengampelas permukaan yang kering – dengan kinerja pembersihan yang tinggi – pada kayu, logam, serta permukaan yang dicat.

Data teknis

Mesin ampelas pita		GBS 750	GBS 750
Nomor barang		3 601 BC1 0E0 3 601 BC1 0H0 3 601 BC1 0K0 3 601 BC1 0L0	3 601 BC1 0D0 3 601 BC1 0G0
Tegangan nominal	V	230	127
Input daya nominal	W	850	850
Kecepatan pita tanpa beban	m/min	200–420	200–420
Panjang pita ampelas	mm	533	533
Lebar pita ampelas	mm	75	75
Pemilihan awal kecepatan pita		●	●
Sambungan untuk ekstraksi otomatis/eksternal		●	●
Berat	kg	3,6	3,6
Tingkat perlindungan		□/II	□/II

Informasi berlaku untuk tegangan nominal yang ditentukan. Data-data ini dapat bervariasi pada tegangan yang berbeda dan pada model khusus tiap negara.

Nilai dapat berbeda-beda bergantung pada produk dan mungkin tunduk pada kondisi lingkungan serta penggunaan. Informasi lebih lanjut pada www.bosch-professional.com/wac.

Pemasangan

- ▶ **Sebelum mulai dengan pekerjaan pada perkakas listrik, tariklah steker dari stopkontak.**

Ilustrasi komponen

Penomoran ilustrasi komponen mengacu pada gambar perkakas listrik pada halaman grafis.

- (1) Gagang tambahan (permukaan genggam berisolator)
- (2) Pita ampelas
- (3) Selektor penyetel untuk pemilihan awal kecepatan pita
- (4) Tuas penjepit untuk pita ampelas
- (5) Tombol on/off
- (6) Tombol pengunci untuk tombol on/off
- (7) Gagang (permukaan genggam berisolator)
- (8) Knop penyetelan untuk putaran pita
- (9) Saluran pembuangan
- (10) Kantong debu
- (11) Pelat logam
- (12) Felt wool
- (13) Penutup tambahan untuk dudukan sikat karbon depan
- (14) Penutup untuk dudukan sikat karbon (2 x)
- (15) Dudukan sikat karbon (2 x) dengan sikat karbon

Pengisapan debu/serbuk

Debu dari bahan-bahan seperti cat yang mengandung timbal, beberapa jenis kayu, bahan mineral dan logam dapat berbahaya bagi kesehatan. Menyentuh atau menghirup debu tersebut dapat mengakibatkan reaksi alergi dan/atau penyakit saluran pernapasan bagi pengguna atau orang yang

berada di dekatnya.

Beberapa debu tertentu seperti misalnya debu kayu pohon ek atau pohon fagus silvatica dianggap dapat mengakibatkan penyakit kanker, terutama dalam campuran dengan bahan-bahan tambahan untuk pengolahan kayu (kromat, obat pengawet kayu). Bahan-bahan yang mengandung asbestos hanya boleh dikerjakan oleh orang-orang yang ahli.

- Gunakanlah hanya pengisap debu yang cocok untuk mengisap bahan yang dikerjakan.
- Pastikan terdapat ventilasi udara yang baik di tempat kerja.
- Dianjurkan untuk memakai masker anti debu dengan filter kelas P2.

Taatilah peraturan-peraturan untuk bahan-bahan yang dikerjakan yang berlaku di negara Anda.

► **Hindari debu yang banyak terkumpul di tempat kerja.**

Debu dapat tersulut dengan mudah.

Ekstraksi otomatis dengan kantong debu

Saat melakukan pengerjaan yang lebih ringan, kantong debu (aksesori) **(10)** dapat disambungkan. Pasang nozel kantong debu dengan kuat ke saluran pembuangan **(9)**. Kosongkan kantong debu **(10)** tepat pada waktunya untuk memastikan ekstraksi debu yang optimal.

Ekstraksi debu eksternal

Pasang slang pengisap pada saluran pembuangan **(9)**.

Sambungkan slang pengisap dengan pengisap debu. Ikhtisar untuk menyambungkan berbagai pengisap debu dapat dilihat di bagian akhir panduan ini.

Mesin pengisap debu harus sesuai dengan bahan yang dikerjakan.

Gunakanlah mesin pengisap khusus saat mengisap debu yang sangat berbahaya bagi kesehatan, pemicu kanker, atau debu yang sangat kering.

Mengganti pita ampelas (lihat gambar A)

- Gerakkan tuas penjepit **(4)** ke luar sepenuhnya. Pita ampelas **(2)** kini telah kendur dan dapat dilepas.
- Pasang pita ampelas **(2)** baru. Pastikan arah tanda panah pada sisi dalam pita ampelas dan housing perkakas listrik telah sesuai.
- Gerakkan tuas penjepit **(4)** kembali ke posisi awal.
- Gunakan knop penyetelan **(8)** untuk menyetel pita ampelas **(2)** agar pita stabil di bagian tengah putaran pita.

Pastikan pita ampelas **(2)** tidak terjepit dan terlindas pada housing. Periksa pita ampelas secara berkala lalu atur pita ampelas dengan knop penyetelan **(8)** jika perlu.

Memilih pita ampelas

Menyesuaikan bahan yang dikerjakan dan pengikisan permukaan yang diinginkan, terdapat berbagai pita ampelas:

	Butiran
	40–320
Untuk pengerjaan pada semua material berbahan kayu	

	Butiran
Untuk pengampelasan awal, misalnya pada balok dan papan yang kasar dan tidak rata	kasar 40, 60
Untuk pengampelasan permukaan dan untuk meratakan permukaan yang tidak rata	sedang 80, 100, 120, 150
Untuk pengampelasan halus dan pengampelasan akhir pada kayu yang keras	halus 180, 220, 280, 320

Penggunaan

Cara penggunaan

- **Perhatikan tegangan jaringan listrik!** Tegangan jaringan listrik harus sesuai dengan tegangan listrik yang tercantum pada label tipe perkakas listrik.

Menghidupkan/mematikan perkakas listrik

- **Pastikan bahwa Anda dapat mengoperasikan tombol untuk menghidupkan dan mematikan tanpa perlu melepaskan handle.**

Untuk **menyalakan** perkakas listrik, tekanlah switch on/off **(5)** dan tahan.

Untuk **mengunci** tombol on/off **(5)**, tekan dan tahan tombol lalu tekan tombol kunci **(6)**.

Untuk **menonaktifkan** perkakas listrik, lepaskan tombol on/off **(5)**. Jika tombol on/off terkunci **(5)**, tekan terlebih dahulu tombol tersebut, kemudian lepaskan.

Petunjuk pengoperasian

- **Sebelum mulai dengan pekerjaan pada perkakas listrik, tariklah steker dari stopkontak.**

Kinerja pembersihan saat mengampelas dan kualitas akhir pada dasarnya ditentukan dengan pemilihan pita ampelas dan kecepatan pita yang telah dipilih sebelumnya. Semakin cepat kecepatan pita, semakin banyak material yang dibersihkan dan semakin halus permukaan yang diampelas. Hanya dengan pita ampelas yang terbaik yang memberikan hasil pengampelasan yang baik dan membuat perkakas listrik awet lebih lama.

Bekerjalah dengan tekanan serendah mungkin supaya pita ampelas tahan lebih lama. Beban berat perkakas listrik cukup untuk memberikan hasil pengampelasan yang bagus. Peningkatan tekanan berlebih tidak membuat kinerja pengampelasan menjadi lebih tinggi, namun akan meningkatkan keausan pada perkakas listrik dan pita ampelas.

Letakkan perkakas listrik yang telah dinyalakan sebelumnya pada permukaan yang akan dikerjakan. Bekerjalah dengan gerak umpan yang sedang dan lakukan proses pengampelasan dengan gerakan mendorong secara sejajar dan tumpang tindih terhadap permukaan yang dikerjakan. Lakukan pengampelasan pada permukaan kayu searah dengan arah butiran karena apabila mengampelas

berlawanan arah butiran akan menghasilkan bentuk yang tidak rata.

Terutama saat mengampelas sisa cat, cat dapat meleleh dan mengotori permukaan benda yang dikerjakan dan pita ampelas. Oleh karena itu, bekerjalah dengan alat pengisap debu.

Pita ampelas yang telah siap digunakan untuk pengerjaan logam tidak lagi boleh digunakan untuk mengerjakan bahan lainnya.

Hanya gunakan aksesoris pengampelasan **Bosch** yang asli. Saat menyimpan pita ampelas, gantungkan selalu pita dan jangan dilipat karena jika dilipat, pita tidak lagi dapat digunakan.

Bingkai ampelas (aksesori) memungkinkan kinerja pembersihan yang terkendali dan teratur dapat dilakukan saat mengerjakan permukaan kayu yang lebih besar.

Perawatan dan servis

Perawatan dan pembersihan

- ▶ **Sebelum mulai dengan pekerjaan pada perkakas listrik, tariklah steker dari stopkontak.**
- ▶ **Perkakas listrik dan lubang ventilasi harus selalu dibersihkan agar perkakas dapat digunakan dengan baik dan aman.**

Jika kabel listrik harus diganti, pekerjaan ini harus dilakukan oleh **Bosch** atau Service Center untuk perkakas listrik **Bosch** resmi agar keselamatan kerja selalu terjamin.

Bersihkan debu ampelas yang lengket dengan menggunakan kuas.

Mengganti pelat logam (lihat gambar B)

Pelat logam (11) disekrup ke felt wool (12) sehingga memungkinkan pola pengampelasan yang optimal.

Pelat logam (11) dapat mengalami keausan tergantung pada intensitas penggunaan. Lepas pita ampelas (2) untuk mengganti pelat logam (11). Lepas sekrup pelat logam (11) lalu pasang kembali.

Setelah memasang pita ampelas, sesuaikan putaran pita (lihat „Mengganti pita ampelas (lihat gambar A)“, Halaman 43).

Mengganti sikat karbon (lihat gambar C)

Periksa panjang sikat karbon sekitar 2–3 bulan sekali dan jika perlu, ganti kedua sikat karbon.

Jangan pernah hanya mengganti satu sikat karbon!

Catatan: Hanya gunakan sikat karbon yang disetujui oleh Bosch dan cocok untuk produk Anda.

- Lepaskan sekrup pada penutup tambahan depan (13) menggunakan obeng kembang. Lepaskan penutup tambahan.
- Lepaskan sekrup di kedua sisi penutup (14) menggunakan obeng yang sesuai.
- Ganti sikat karbon (15) yang terletak di bawah tekanan pegas dan kencangkan kembali sekrup pada kap penutup.

Layanan pelanggan dan konsultasi penggunaan

Layanan pelanggan Bosch menjawab semua pertanyaan Anda tentang reparasi dan perawatan serta tentang suku cadang produk ini. Gambaran teknis (exploded view) dan informasi mengenai suku cadang dapat ditemukan di:

www.bosch-pt.com

Tim konsultasi penggunaan Bosch akan membantu Anda menjawab pertanyaan seputar produk kami beserta aksesorinya.

Jika Anda hendak menanyakan sesuatu atau memesan suku cadang, selalu sebutkan nomor model yang terdiri dari 10 angka dan tercantum pada label tipe produk.

Indonesia

PT Robert Bosch Indonesia
Arkadia Green Park Tower G – 7th floor
Jl. Let. Jend. TB. Simatupang Kav.88
Jakarta 12520
Tel.: (021) 3005 5800
Fax: (021) 3005 5801
E-Mail: boschpowertools@id.bosch.com
www.bosch-pt.co.id

Alamat layanan lainnya dapat ditemukan di:

www.bosch-pt.com/serviceaddresses

Cara membuang

Perkakas listrik, aksesoris, dan kemasan sebaiknya didaur ulang secara ramah lingkungan.



Jangan membuang perkakas listrik ke dalam tempat sampah rumah tangga!

Tiếng Việt

Hướng dẫn an toàn

Hướng dẫn an toàn chung cho dụng cụ điện

⚠ CẢNH BÁO Hãy đọc toàn bộ các cảnh báo an toàn, hướng dẫn, hình ảnh và thông số kỹ thuật được cung cấp cho dụng cụ điện cầm tay này. Không tuân thủ mọi hướng dẫn được liệt kê dưới đây có thể bị điện giật, gây cháy và /hay bị thương tật nghiêm trọng. **Hãy giữ tất cả tài liệu về cảnh báo và hướng dẫn để tham khảo về sau.**

Thuật ngữ "dụng cụ điện cầm tay" trong phần cảnh báo là đề cập đến sự sử dụng dụng cụ điện cầm tay của bạn, loại sử dụng điện nguồn (có dây cắm điện) hay vận hành bằng pin (không dây cắm điện).

Khu vực làm việc an toàn

- ▶ **Giữ nơi làm việc sạch và đủ ánh sáng.** Nơi làm việc bừa bộn và tối tăm dễ gây ra tai nạn.
- ▶ **Không vận hành dụng cụ điện cầm tay trong môi trường dễ gây nổ, chẳng hạn như nơi có chất lỏng dễ cháy, khí đốt hay rác.** Dụng cụ điện cầm tay tạo ra các tia lửa nên có thể làm rác bén cháy hay bốc khói.
- ▶ **Không để trẻ em hay người đến xem đứng gần khi vận hành dụng cụ điện cầm tay.** Sự phân tâm có thể gây ra sự mất điều khiển.

An toàn về điện

- ▶ **Phích cắm của dụng cụ điện cầm tay phải thích hợp với ổ cắm.** Không bao giờ được cải biến lại phích cắm dưới mọi hình thức. Không được sử dụng phích tiếp hợp nối tiếp đất (dây mát). Phích cắm nguyên bản và ổ cắm đúng loại sẽ làm giảm nguy cơ bị điện giật.
- ▶ **Tránh không để thân thể tiếp xúc với đất hay các vật có bề mặt tiếp đất như đường ống, lò sưởi, hàng rào và tủ lạnh.** Có nhiều nguy cơ bị điện giật hơn nếu cơ thể bạn bị tiếp hay nối đất.
- ▶ **Không được để dụng cụ điện cầm tay ngoài mưa hay ở tình trạng ẩm ướt.** Nước vào máy sẽ làm tăng nguy cơ bị điện giật.
- ▶ **Không được làm dụng dây dẫn điện.** Không bao giờ được nắm dây dẫn để xách, kéo hay rút phích cắm dụng cụ điện cầm tay. Không để dây gần nơi có nhiệt độ cao, dầu nhớt, vật nhọn bén và bộ phận chuyển động. Làm hỏng hay cuộn rối dây dẫn làm tăng nguy cơ bị điện giật.
- ▶ **Khi sử dụng dụng cụ điện cầm tay ngoài trời, dùng dây nối thích hợp cho việc sử dụng ngoài trời.** Sử dụng dây nối thích hợp cho việc sử dụng ngoài trời làm giảm nguy cơ bị điện giật.
- ▶ **Nếu việc sử dụng dụng cụ điện cầm tay ở nơi ẩm ướt là không thể tránh được, dùng thiết bị ngắt mạch tự động (RCD) bảo vệ nguồn.** Sử dụng thiết bị ngắt mạch tự động RCD làm giảm nguy cơ bị điện giật.

An toàn cá nhân

- ▶ **Hãy tỉnh táo, biết rõ mình đang làm gì và hãy sử dụng ý thức khi vận hành dụng cụ điện cầm tay.** Không sử dụng dụng cụ điện cầm tay khi đang mệt mỏi hay đang bị tác động do chất gây nghiện, rượu hay dược phẩm gây ra. Một thoáng mất tập trung khi đang vận hành dụng cụ điện cầm tay có thể gây thương tích nghiêm trọng cho bản thân.
- ▶ **Sử dụng trang bị bảo hộ cá nhân.** Luôn luôn đeo kính bảo vệ mắt. Trang bị bảo hộ như khẩu trang, giày chống trượt, nón bảo hộ, hay dụng cụ bảo vệ tai khi được sử dụng đúng nơi đúng chỗ sẽ làm giảm nguy cơ thương tật cho bản thân.

- ▶ **Phòng tránh máy khởi động bất ngờ.** Bảo đảm công tắc máy ở vị trí tắt trước khi cắm vào nguồn điện và/hay lắp pin vào, khi nhắc máy lên hay khi mang xách máy. Ngáng ngón tay vào công tắc máy dễ xách hay kích hoạt dụng cụ điện cầm tay khi công tắc ở vị trí mở dễ dẫn đến tai nạn.
- ▶ **Lấy mọi chìa hay khóa điều chỉnh ra trước khi mở điện dụng cụ điện cầm tay.** Khóa hay chìa còn gắn dính vào bộ phận quay của dụng cụ điện cầm tay có thể gây thương tích cho bản thân.
- ▶ **Không rướn người.** Luôn luôn giữ tư thế đứng thích hợp và thăng bằng. Điều này tạo cho việc điều khiển dụng cụ điện cầm tay tốt hơn trong mọi tình huống bất ngờ.
- ▶ **Trang phục thích hợp.** Không mặc quần áo rộng lủng thùng hay mang trang sức. Giữ tóc và quần áo xa khỏi các bộ phận chuyển động. Quần áo rộng lủng thùng, đồ trang sức hay tóc dài có thể bị cuốn vào các bộ phận chuyển động.
- ▶ **Nếu có các thiết bị đi kèm để nối máy hút bụi và các phụ kiện khác, bảo đảm các thiết bị này được nối và sử dụng tốt.** Việc sử dụng các thiết bị gom hút bụi có thể làm giảm các độc hại liên quan đến bụi gây ra.
- ▶ **Không để thói quen do sử dụng thường xuyên dụng cụ khiến bạn trở nên chủ quan và bỏ qua các quy định an toàn dụng cụ.** Một hành vi bất cẩn có thể gây ra thương tích nghiêm trọng chỉ trong tích tắc.

Sử dụng và bảo dưỡng dụng cụ điện cầm tay

- ▶ **Không được ép máy.** Sử dụng dụng cụ điện cầm tay đúng loại theo đúng ứng dụng của bạn. Dụng cụ điện cầm tay đúng chức năng sẽ làm việc tốt và an toàn hơn theo đúng tiến độ mà máy được thiết kế.
- ▶ **Không sử dụng dụng cụ điện cầm tay nếu như công tắc không tắt và mở được.** Bất kỳ dụng cụ điện cầm tay nào mà không thể điều khiển được bằng công tắc là nguy hiểm và phải được sửa chữa.
- ▶ **Rút phích cắm ra khỏi nguồn điện và/hay pin ra khỏi dụng cụ điện cầm tay nếu có thể tháo được, trước khi tiến hành bất kỳ điều chỉnh nào, thay phụ kiện, hay cất dụng cụ điện cầm tay.** Các biện pháp ngăn ngừa như vậy làm giảm nguy cơ dụng cụ điện cầm tay khởi động bất ngờ.
- ▶ **Cất giữ dụng cụ điện cầm tay không dùng tới nơi trẻ em không lấy được và không cho người chưa từng biết dụng cụ điện cầm tay hay các hướng dẫn này sử dụng dụng cụ điện cầm tay.** Dụng cụ điện cầm tay nguy hiểm khi ở trong tay người chưa được chỉ cách sử dụng.

- ▶ **Bảo quản dụng cụ điện cầm tay và các phụ kiện.** Kiểm tra xem các bộ phận chuyển động có bị sai lệch hay kẹt, các bộ phận bị rạn nứt và các tình trạng khác có thể ảnh hưởng đến sự vận hành của máy. Nếu bị hư hỏng, phải sửa chữa máy trước khi sử dụng. Nhiều tai nạn xảy ra do bảo quản dụng cụ điện cầm tay tồi.
- ▶ **Giữ các dụng cụ cất bện và sạch.** Bảo quản đúng cách các dụng cụ cất có cạnh cất bện làm giảm khả năng bị kẹt và dễ điều khiển hơn.
- ▶ **Sử dụng dụng cụ điện cầm tay, phụ kiện, đầu cài v. v., đúng theo các chỉ dẫn này, hãy lưu ý đến điều kiện làm việc và công việc phải thực hiện.** Sự sử dụng dụng cụ điện cầm tay khác với mục đích thiết kế có thể tạo nên tình huống nguy hiểm.
- ▶ **Giữ tay cầm và bề mặt nắm luôn khô ráo, sạch sẽ và không dính dầu mỡ.** Tay cầm và bề mặt nắm trơn trượt không đem lại thao tác an toàn và kiểm soát dụng cụ trong các tình huống bất ngờ.

Bảo dưỡng

- ▶ **Đưa dụng cụ điện cầm tay của bạn đến thợ chuyên môn để bảo dưỡng, chỉ sử dụng phụ tùng đúng chủng loại để thay.** Điều này sẽ đảm bảo sự an toàn của máy được giữ nguyên.

Các hướng dẫn an toàn cho máy mài

- ▶ **Cắm dụng cụ điện tại các bề mặt cầm nắm có cách điện, vì bề mặt phun cát có thể chạm vào chính dây điện của thiết bị.** Cắt một dây "có điện" có thể làm cho các phần kim loại hở của dụng cụ điện cầm tay có điện và có thể gây ra điện giật cho người vận hành.
- ▶ **Chỉ sử dụng dụng cụ điện để mài khô.** Nước vào máy sẽ làm tăng nguy cơ bị điện giật.
- ▶ **Chỉ dẫn dụng cụ điện đã bật vào phôi gia công và chỉ tắt sau khi bạn nhắc nó ra khỏi phôi gia công.** Dụng cụ điện có thể chuyển động đột ngột.
- ▶ **Không chạm vào dây đai nhám đang chạy.** Việc này bao gồm nguy hiểm gây thương tích.
- ▶ **Hãy mang găng tay bảo vệ và không chạm vào dây đai nhám đang chạy.** Việc này bao gồm nguy hiểm gây thương tích.
- ▶ **Đảm bảo rằng không có người bị nguy hiểm do tia lửa điện bay ra. Loại bỏ các vật liệu dễ cháy từ gần đó.** Khi mài kim loại sẽ xuất hiện tia lửa điện bay ra.
- ▶ **Không sử dụng các dây đai nhám bị mòn, bị rách hoặc bị kẹt nặng.** Các dây đai nhám bị hỏng có thể bị rách, bị văng xa và gây thương tích cho người.
- ▶ **Chú ý nguy cơ cháy! Tránh quá nhiệt vật liệu mài và máy mài. Luôn xả rỗng thùng chứa bụi trước khi tạm dừng làm việc.** Bụi mài trong

túi chứa bụi, bộ v lọc, túi giấy (hoặc trong bộ lọc kiểu túi hoặc bộ lọc của máy hút bụi) có thể tự đánh lửa dưới các điều kiện không phù hợp, như tia lửa điện bay ra khi mài kim loại. Có nguy hiểm đặc biệt, nếu bụi mài trộn với các cặn sơn, cặn polyurethane hoặc những chất hóa học khác và vật liệu mài nóng lên sau thời gian dài hoạt động.

- ▶ **Thường xuyên làm sạch các khe thông gió của dụng cụ điện.** Quạt gió mờ sẽ kéo bụi nằm trong vỏ máy ra và sự tích tụ quá nhiều bột kim loại có thể gây nên các nguy hiểm về điện.
- ▶ **Kẹp chặt vật gia công.** Vật gia công được kẹp bằng một thiết bị kẹp hay bằng ê-tô thì vững chắc hơn giữ bằng tay.
- ▶ **Luôn luôn đợi cho máy hoàn toàn ngừng hẳn trước khi đặt xuống.** Dụng cụ lắp vào máy có thể bị kẹp chặt dẫn đến việc dụng cụ điện cầm tay bị mất điều khiển.
- ▶ **Giữ máy thật chắc bằng cả hai tay trong khi làm việc và luôn luôn giữ tư thế đứng cho thích hợp và cân bằng.** Dùng hai tay để điều khiển máy thì an toàn hơn.

Mô Tả Sản Phẩm và Đặc Tính Kỹ Thuật



Đọc kỹ mọi cảnh báo an toàn và mọi hướng dẫn. Không tuân thủ mọi cảnh báo và hướng dẫn được liệt kê dưới đây có thể bị điện giật, gây cháy và / hay bị thương tật nghiêm trọng.

Xin lưu ý các hình minh họa trong phần trước của hướng dẫn vận hành.

Sử dụng đúng cách

Máy được thiết kế để mài bề mặt khô – ở tốc độ gia công cao – đối với vật liệu gỗ và kim loại cũng như các bề mặt đã sơn phủ.

Các bộ phận được minh họa

Việc đánh số các thành phần đã minh họa liên quan đến mô tả dụng cụ điện trên trang hình ảnh.

- (1) Tay nắm phụ (có bề mặt nắm cách điện)
- (2) Dây đai nhám
- (3) Núm vận chọn trước tốc độ băng tải
- (4) Cẩn khóa gài giấy nhám băng
- (5) Công tắc Tắt/Mở
- (6) Núm khoá giữ chế độ tự-chạy của công tắc bật/tắt
- (7) Tay nắm (bề mặt nắm cách điện)
- (8) Núm điều chỉnh sự vận hành của băng tải
- (9) Lỗ thoát
- (10) Túi đựng bụi

- (11) Tấm kim loại
- (12) Phớt
- (13) Nắp bổ sung cho giá đỡ chổi than phía trước

- (14) Nắp cho giá đỡ chổi than (2 x)
- (15) Giá đỡ chổi than (2 x) có chổi than

Thông số kỹ thuật

Máy Chà Nhám Băng		GBS 750	GBS 750
Mã số máy		3 601 BC1 0E0 3 601 BC1 0H0 3 601 BC1 0K0 3 601 BC1 0L0	3 601 BC1 0D0 3 601 BC1 0G0
Điện thế danh định	V	230	127
Công suất vào danh định	W	850	850
Tốc độ chạy không tải của băng tải	m/min	200–420	200–420
Chiều dài giấy nhám băng	mm	533	533
Chiều rộng giấy nhám băng	mm	75	75
Chọn trước tốc độ băng tải		●	●
Nối với máy hút bụi nằm trong/ngoài máy		●	●
Trọng lượng	kg	3,6	3,6
Cấp độ bảo vệ		□/II	□/II

Các thông số được áp dụng cho điện áp định mức đã chỉ định. Đối với điện thế thấp hơn và các loại máy dành riêng cho một số quốc gia, các giá trị này có thể thay đổi.

Các giá trị có thể khác nhau tùy thuộc vào sản phẩm và tùy thuộc vào ứng dụng và điều kiện môi trường. Xem thêm thông tin chi tiết trên trang www.bosch-professional.com/wac.

Sự lắp vào

- Trước khi tiến hành bất cứ việc gì trên máy, kéo phích cắm điện nguồn ra.

Hút Dăm/Bụi

Mặt bụi từ các vật liệu được sơn phủ ngoài có chứa chì trên một số loại gỗ, khoáng vật và kim loại có thể gây nguy hại đến sức khỏe con người. Đụng chạm hay hít thở các bụi này có thể làm người sử dụng hay đứng gần bị dị ứng và/hoặc gây nhiễm trùng hệ hô hấp.

Một số mặt bụi cụ thể, ví dụ như bụi gỗ sồi hay đậu, được xem là chất gây ung thư, đặc biệt là có liên quan đến các chất phụ gia dùng xử lý gỗ (chất cromat, chất bảo quản gỗ). Có thể chỉ nên để thợ chuyên môn gia công các loại vật liệu có chứa amiăng.

- Cách xa ở mức có thể được, sử dụng hệ thống hút thích hợp cho loại vật liệu.
- Tạo không khí thông thoáng nơi làm việc.
- Khuyến nghị nên mang mặt nạ phòng độc có bộ lọc cấp P2.

Tuân thủ các qui định của quốc gia bạn liên quan đến loại vật liệu gia công.

- **Tránh không để rác tích tụ tại nơi làm việc.** Rác có thể dễ dàng bắt lửa.

Tự hút với túi chứa bụi

Khi làm những công việc nhỏ hơn, bạn có thể kết nối túi đựng bụi (Phụ kiện) (10). Cắm chặt miệng túi đựng bụi vào vòi xả (9). Hãy xả sạch túi đựng bụi (10) kịp thời để việc hút bụi được duy trì tối ưu.

Máy Hút Bụi Ngoài

Cắm ống hút vào vòi xả (9).

Nối ống hút với một chiếc máy hút bụi. Ở phần cuối của tài liệu hướng dẫn này bạn sẽ tìm thấy phần tổng quan về việc kết nối ở các máy hút bụi khác nhau.

Máy hút bụi phải thích hợp dành cho loại vật liệu đang gia công.

Khi hút bụi khô loại đặc biệt gây nguy hại đến sức khỏe hoặc gây ra ung thư, hãy sử dụng máy hút bụi loại chuyên dụng.

Thay dây đai nhám (xem Hình A)

- Xoay tay gạt siết (4) ra hoàn toàn. Lúc này dây đai nhám (2) đã lỏng và có thể tháo được.
- Hãy lắp dây đai nhám mới (2). Chú ý rằng, các hướng mũi tên ở mặt trong của dây đai nhám và vỏ của dụng cụ điện phải thống nhất với nhau.
- Hãy xoay tay gạt siết (4) trở lại vị trí ban đầu.
- Điều chỉnh dây đai nhám (2) bằng núm điều chỉnh (8) sao cho nó ổn định ở giữa đường chạy băng tải.

Đảm bảo rằng dây đai nhám (2) không mài vào vỏ máy. Thường xuyên kiểm tra hoạt động của băng

tải và điều chỉnh lại bằng núm điều chỉnh (8) nếu cần.

Chọn Loại Giấy Nhám Băng

Tùy loại vật liệu mà ta gia công và mức độ cần chà mòn, có nhiều loại giấy nhám băng hiện có ở thị trường:

		Kích Cỡ Hạt	
red:Wood		40–320	
Để gia công tất cả các loại vật liệu gỗ			
Để mài sơ bộ, ví dụ mài các thanh và tấm ván thô	thô	40, 60	
Để mài bề mặt và làm phẳng những chỗ gỗ ghép nhỏ	Trung bình	80, 100, 120, 150	
Chà hoàn thiện và chà tinh các loại gỗ cứng	tinh	180, 220, 280, 320	

Vận Hành

Bắt Đầu Vận Hành

- ▶ **Tuân thủ theo đúng điện thế!** Điện thế nguồn phải đúng với điện thế đã ghi rõ trên nhãn máy.

Bật Mở và Tắt

- ▶ **Hãy đảm bảo rằng, bạn có thể nhấn Công tắc bật/tắt, mà không cần nhả tay nắm.**

Để **Bật** dụng cụ điện, hãy bấm công tắc **Tắt/Mở (5)** và vừa bấm vừa giữ.

Để **khóa** công tắc bật/tắt (5) hãy nhấn giữ nó và nhấn thêm nút khóa giữ chế độ tự-chạy (6).

Để **tắt** dụng cụ điện cầm tay hãy nhả công tắc bật/tắt (5). Khi công tắc bật/tắt bị khóa (5) hãy nhấn nó và sau đó nhả ra.

Hướng Dẫn Sử Dụng

- ▶ **Trước khi tiến hành bất cứ việc gì trên máy, kéo phích cắm điện nguồn ra.**

Tốc độ gia công khi mài và độ bóng bề mặt được xác định chủ yếu bằng cách chọn dây đai nhám cũng như bằng tốc độ băng tải chọn trước. Tốc độ của băng tải càng cao, sự chà mòn vật liệu càng nhiều và bề mặt chà mịn hơn.

Chỉ có loại giấy nhám băng không khuyết tật mới tạo được năng suất chà tốt và làm cho tuổi thọ của máy bền hơn.

Thao tác với sức ép máy ít nhất có thể được để làm tăng thêm thời gian sử dụng giấy nhám băng. Trọng lượng bản thân của dụng cụ điện cầm tay đủ để có năng suất chà nhám tốt. Tạo lực đè thật mạnh lên máy để chà không làm tăng năng suất chà, nhưng lại làm tăng sự hao mòn của máy và dây đai nhám.

Chỉ đặt máy lên vật gia công khi đã mở máy. Thao tác để gia công chà vừa phải và tiến hành chà bằng các đường dọc song song và rời chà chống

tiếp lên. Chà theo chiều của sợi, chà ngang sợi sẽ cho kết quả sắc sù.

Đặt biệt là khi chà các lớp vecni, chà theo chiều sợi, khi đó vecni có thể chảy ra và làm vấy bẩn bề mặt của vật gia công và cho cả giấy nhám băng. Do đó hãy làm việc với thiết bị hút bụi.

Dây đai nhám đã được dùng để chà kim loại không nên sử dụng để chà các loại vật liệu khác.

Chỉ nên sử dụng các phụ kiện chà nhám chính hãng **Bosch**.

Chỉ bảo quản giấy nhám băng bằng cách treo lên; tránh làm gấp nếp; bị gấp nếp như vậy làm cho băng tải không còn tác dụng.

Khung chà (phụ kiện) làm cho sự gia công được đồng đều và điều khiển được năng suất chà khi bề mặt chà rộng hơn bề mặt của gỗ.

Bảo Dưỡng và Bảo Quản

Bảo Dưỡng Và Làm Sạch

- ▶ **Trước khi tiến hành bất cứ việc gì trên máy, kéo phích cắm điện nguồn ra.**
- ▶ **Để được an toàn và máy hoạt động đúng chức năng, luôn luôn giữ máy và các khe thông gió được sạch.**

Nếu như cần phải thay dây dẫn điện thì công việc này phải do hãng **Bosch**, hay một đại lý được **Bosch** ủy nhiệm thực hiện để tránh gặp sự nguy hiểm do mất an toàn.

Phủi sạch mặt chà bám dính bằng cọ.

Thay thế tấm kim loại (xem hình B)

Tấm kim loại (11) được gắn lên phốt (12) và cho phép tạo mẫu mài tối ưu.

Tấm kim loại (11) có thể bị mòn tùy thuộc vào cường độ sử dụng. Để thay tấm kim loại (11) hãy tháo dây đai nhám (2). Hãy tháo tấm kim loại (11) và thay thế.

Sau khi đặt dây đai nhám, hãy điều chỉnh đường chạy dây đai (xem „Thay dây đai nhám (xem Hình A)“, Trang 47).

Thay chổi than (xem Hình C)

Kiểm tra độ dài của chổi than cứ 2–3 tháng một lần, và thay thế cả hai chổi than nếu cần.

Không bao giờ chỉ thay một chổi than mà thôi!

Lưu ý: Chỉ sử dụng chổi than được cung cấp qua Bosch, phù hợp với sản phẩm của bạn.

- Hãy tháo vít tại nắp ổ sung phía trước (13) bằng chia vận vít bốn cạnh. Tháo nắp ổ sung ra.
- Hãy tháo vít ở hai bên tại nắp (14) bằng chia vận vít phù hợp.
- Thay chổi than hiện tại (15) dưới áp lực lò xo và bắt vít trở lại cho nắp che.

Dịch vụ hỗ trợ khách hàng và tư vấn sử dụng

Bộ phận phục vụ hàng sau khi bán của chúng tôi trả lời các câu hỏi liên quan đến việc bảo dưỡng và sửa chữa các sản phẩm cũng như phụ tùng thay thế của bạn. Sơ đồ mô tả và thông tin về phụ tùng thay thế cũng có thể tra cứu theo dưới đây:

www.bosch-pt.com

Đội ngũ tư vấn sử dụng của Bosch sẽ giúp bạn giải đáp các thắc mắc về sản phẩm và phụ kiện.

Trong tất cả các phản hồi và đơn đặt phụ tùng, xin vui lòng luôn luôn nhập số hàng hóa 10 chữ số theo nhãn của hàng hóa.

Việt Nam

CN CÔNG TY TNHH BOSCH VIỆT NAM TẠI

TP.HCM

Tầng 14, Ngôi Nhà Đức, 33 Lê Duẩn

Phường Bến Nghé, Quận 1, Thành Phố Hồ Chí Minh

Tel.: (028) 6258 3690

Fax: (028) 6258 3692 - 6258 3694

Hotline: 1900 9988 50

Email: tuvankhachhang-pt@vn.bosch.com

www.bosch-pt.com.vn

Xem thêm địa chỉ dịch vụ tại:

www.bosch-pt.com/serviceaddresses

Sự thái độ

Máy, linh kiện và bao bì phải được phân loại để tái chế theo hướng thân thiện với môi trường.



Không được thải bỏ dụng cụ điện vào chung với rác sinh hoạt!

مخصص للاستعمال الخارجي من خطر الصدمات الكهربائية.

- إن لم يكن بالإمكان تجنب تشغيل العدة الكهربائية في الأجواء الرطبة، فاستخدم مفتاح للوقاية من التيار المتخلف. إن استخدام مفتاح للوقاية من التيار المتخلف يقلل خطر الصدمات الكهربائية.

أمان الأشخاص

- كن يقظا وانتبه إلى ما تفعله واستخدم العدة الكهربائية بتعقل. لا تستخدم عدة كهربائية عندما تكون متعبا أو عندما تكون تحت تأثير المخدرات أو الكحول أو الأدوية. عدم الانتباه للحظة واحدة عند استخدام العدة الكهربائية قد يؤدي إلى إصابات خطيرة.

- قم لارتداء تجهيزات الحماية الشخصية. وارتد دائما نظارات واقية. يحد ارتداء تجهيزات الحماية الشخصية، كقناع الوقاية من الغبار وأحذية الأمان الواقية من الانزلاق والوذو أو واقية الأذنين، حسب ظروف استعمال العدة الكهربائية، من خطر الإصابة بجروح.

- تجنب التشغيل بشكل غير مقصود. تأكد من كون العدة الكهربائية مطفاة قبل توصيلها بالتيار الكهربائي و/أو بالمركم، وقبل رفعها أو حملها. إن كنت تضع إصبعك على المفتاح أثناء حمل العدة الكهربائية أو إن وصلت الجهاز بالشبكة الكهربائية بينما لا مفتاح على وضع التشغيل، قد يؤدي إلى وقوع الحوادث.

- انزع أداة الضبط أو مفتاح الربط قبل تشغيل العدة الكهربائية. قد تؤدي الأداة أو المفتاح المتواجد في جزء دوار من الجهاز إلى الإصابة بجروح.

- تجنب أوضاع الجسم غير الطبيعية. قف بأمان وحافظ على توازنك دائما. سيسمح لك ذلك بالتمكّن في الجهاز بشكل أفضل في الموافف الغير متوقعة.

- قم بارتداء ثياب مناسبة. لا ترتد الثياب الفضفاضة أو الحللى. احرص على إبقاء الشعر والملابس بعيدا عن الأجزاء المتحركة. قد تشابك الثياب الفضفاضة والحلى والشعر الطويل بالأجزاء المتحركة.

- إن جاز تركيب تجهيزات شفت وتجميع الغبار، فتأكد من أنها موصولة وبأنه يتم استخدامها بشكل سليم. قد يقلل استخدام تجهيزات لشفت الغبار من المخاطر الناتجة عن الغبار.

- لا تستخدم العدة الكهربائية بلا مبالاة وتتجاهل قواعد الأمان الخاصة بها نتيجة لتعودك على استخدام العدة الكهربائية وكثرة استخدامها. فقد يتسبب الاستخدام دون حرص في حدوث إصابة بالغة تحدث في أجزاء من الثانية.

حسن معاملة واستخدام العدد الكهربائية

- لا تفرط بتحميل الجهاز. استخدم لتنفيذ أشغالك العدة الكهربائية المخصصة لذلك. إنك تعمل بشكل أفضل وأكثر أمنا بواسطة العدة الكهربائية الملائمة في مجال الأداء المذكور.
- لا تستخدم العدة الكهربائية إن كان مفتاح تشغيلها تالف. العدة الكهربائية التي لم يعد من

عربي

إرشادات الأمان

الإرشادات العامة للأمان بالعدد الكهربائية

- تحذير** اطلع على كافة تحذيرات الأمان والتعليمات والصور والمواصفات المرفقة بالعدة الكهربائية. عدم اتباع التعليمات الواردة أدناه قد يؤدي إلى حدوث صدمة كهربائية، إلى نشوب حريق و/أو الإصابة بجروح خطيرة.

احتفظ بجميع الملاحظات التحذيرية والتعليمات للمستقبل.

يقصد بمصطلح «العدة الكهربائية» المستخدم في الملاحظات التحذيرية، العدد الكهربائية الموصولة بالشبكة الكهربائية (بواسطة كابل الشبكة الكهربائية) وأيضاً العدد الكهربائية المزودة بمركم (دون كابل الشبكة الكهربائية).

الأمان بمكان الشغل

- حافظ على نظافة مكان شغلك وإضاءته بشكل جيد. الفوضى في مكان الشغل ونطاقات العمل غير المضاة قد تؤدي إلى وقوع الحوادث.
- لا تشتغل بالعدة الكهربائية في نطاق معرض لخطر الانفجار مثل الأماكن التي تتوفر فيه السوائل أو الغازات أو الأبخرة القابلة للاشتعال. العدد الكهربائية تولد شررا قد يتطاير، فيشعل الأبخرة والأبخرة.
- حافظ على بقاء الأطفال وغيرهم من الأشخاص بعيدا عندما تستعمل العدة الكهربائية. تشتيت الانتباه قد يتسبب في فقدان السيطرة على الجهاز.

الأمان الكهربائي

- يجب أن يتلائم قابس العدة الكهربائية مع المقبس. لا يجوز تغيير القابس بأي حال من الأحوال. لا تستعمل القوايس المهينة مع العدد الكهربائية المؤرصة (ذات طرف أرضي). تخفص القوايس التي لم يتم تغييرها والمقابس الملائمة من خطر الصدمات الكهربائية.
- تجنب ملامسة جسمك للأسطح المؤرصة كالأنابيب والمبردات والمواقد أو التللاجت. يزداد خطر الصدمات الكهربائية عندما يكون جسمك مؤرض أو موصل بالأرضي.
- أبعد العدة الكهربائية عن الأمطار أو الرطوبة. يزداد خطر الصدمات الكهربائية إن تسرب الماء إلى داخل العدة الكهربائية.
- لا تسي استعمال الكابل. لا تستخدم الكابل في حمل العدة الكهربائية أو سحبها أو سحب القابس من المقبس. احرص على إبعاد الكابل عن الحرارة والزيت والحواف الحادة أو الأجزاء المتحركة. تزيد الكابلات التالفة أو المتشابكة من خطر الصدمات الكهربائية.
- عند استخدام العدة الكهربائية خارج المنزل اقتصر على استخدام كابلات التمديد الصالحة للاستعمال الخارجي. يقلل استعمال كابل تمديد

- ◀ لا تلمس أبدا سير الجلك الدائر. خطر التعرض للإصابة.
- ◀ قم بارتداء قفازات حماية ولا تلمس أبدا سير الجلك الدائر. خطر التعرض للإصابة.
- ◀ احرص على عدم تعرض أية أشخاص للإصابة من جراء تطاير الشرر. قم بإبعاد المواد القابلة للاشتعال عن العدة الكهربائية. عند القيام بتجليخ المعادن يتولد شرر متطاير.
- ◀ لا تستخدم أشرطة جلك متأكلة أو متشققة أو متضررة بشدة. أشرطة الجلك المتضررة يمكن أن تتمزق وتطاير وتعرض الأفراد للإصابة.
- ◀ تنبيه لخطر الحريق! تجنب تعرض القطعة التي يتم جلكها والمجلمة للسخونة المفرطة. قم دائما بتفريغ وعاء البخار قبل فترات الراحة أثناء العمل. قد يتمزق غبار التجليخ الموجود بكيس الغبار، والفيلتر الدقيق، وكيس النفايات الورقية (أو في الفيلتر أو في فلتر المكينة) من جراء الاستخدام غير المناسب، مثل تطاير الشرر أثناء تجليخ المعادن. قد يتولد خطر بالغ عندما يكون غبار التجليخ ممزوجا ببقايا طلاء أو بولي يوريثان أو مواد كيميائية أخرى وكذلك عندما تكون القطعة التي يجري عليها العمل ساخنة بعد فترة عمل طويلة.
- ◀ قم بتنظيف فتحات التهوية بالعدة الكهربائية بشكل دوري. إن منافخ المحرك يسمح الغبار إلى داخل الهيكل، وتراكم الأغبرة المعدنية الشديد قد يشكل المخاطر الكهربائية.
- ◀ احرص على تأمين قطعة الشغل. قطعة الشغل المثبتة بواسطة تجهيزة شد أو بواسطة الملزمة مثبتة بأمان أكبر مما لو تم الإمساك بها بواسطة يدك.
- ◀ انتظر إلى أن تتوقف العدة الكهربائية عن الحركة قبل أن تضعها جانبا. قد تتكلم عدة الشغل فتؤدي إلى فقدان السيطرة على العدة الكهربائية.
- ◀ أمسك العدة الكهربائية جيدا بكلتا اليدين عند العمل، واحرص على أن تكون في وضعية ثابتة. يتم توجيه العدة الكهربائية بأمان بواسطة اليدين الاثنتين.

وصف المنتج والأداء

- ◀ اقرأ جميع إرشادات الأمان والتعليمات. ارتكاب الأخطاء عند تطبيق إرشادات الأمان والتعليمات، قد يؤدي إلى حدوث صدمات الكهربائية أو إلى نشوب الحرائق و/أو الإصابة بجروح خطيرة.
- ◀ يرجى الرجوع إلى الصور الموجودة في الجزء الأول من دليل التشغيل.



الاستعمال المخصص

- ◀ العدة الكهربائية مخصصة للتجليخ الجاف بقدرة إزاحة عالية لسطوح الخشب والمعادن وأيضا للسطوح المطلية بالورنيش.

- ◀ الممكن التحكم بها عن طريق مفتاح التشغيل والإطفاء تعتبر خطيرة ويجب أن يتم إصلاحها.
- ◀ اسحب القابس من المقبس و/أو اخلع المركب، إذا كان قابلا للخلع، قبل ضبط الجهاز وقبل استبدال الملحقات أو قبل تخزين الجهاز. تمنع هذه الإجراءات وقائية تشغيل العدة الكهربائية بشكل غير مقصود.
- ◀ احتفظ بالعدد الكهربائية التي لا يتم استخدامها بعيدا عن متناول الأطفال. لا تسمح باستخدام العدة الكهربائية لمن لا خبرة له بها أو لمن لم يقرأ تلك التعليمات. العدد الكهربائي خطيرة إن تم استخدامها من قبل أشخاص دون خبرة.
- ◀ اعتن بالعدة الكهربائية والملحقات بشكل جيد. تأكد أن أجزاء الجهاز المتمركبة مركبة بشكل سليم وغير مستعصبة عن الحركة، وتفحص ما إن كانت هناك أجزاء مكسورة أو في حالة تؤثر على سلامة أداء العدة الكهربائية. ينبغي إصلاح هذه الأجزاء التالفة قبل إعادة تشغيل الجهاز. الكثير من الحوادث مصدرها العدد الكهربائية التي تتم صيانتها بشكل رديء.
- ◀ احرص على إبقاء عدد القطع نظيفة وحادة. إن عدد القطع ذات حواف القطع المادة التي تم صيانتها بعناية تتكلم بشكل أقل ويمكن توجيهها بشكل أيسر.
- ◀ استخدم العدد الكهربائية والتوابع وريش الشغل إلخ. وفقا لهذه التعليمات. تراعى أثناء ذلك ظروف الشغل والعمل المراد تنفيذه. استخدام العدد الكهربائية لغبر الأشغال المخصصة لأجلها قد يؤدي إلى حدوث الحلات الخطيرة.
- ◀ احرص على إبقاء المقابض وأسطح المسك جافة ونظيفة وخالية من الزيوت والشحوم. المقابض وأسطح المسك الزلقة لا تتبع التشغيل والتحكم الأمان في العدة في المواقف غير المتوقعة.

الخدمة

- ◀ احرص على إصلاح عدتك الكهربائية فقط بواسطة العمال المتخصصين وباستعمال قطع الغيار الأصلية فقط. يضمن ذلك المحافظة على أمان الجهاز.

إرشادات الأمان الخاصة بالمجلمة

- ◀ أمسك العدة الكهربائية من أسطح المسك المعزولة، حيث يمكن لسطح السنفرة أن يلامس السلك الخاص بالمعدة. قطع سلك «مكهرب» قد يتسبب في مرور التيار في الأجزاء المعدنية من العدة وجعلها مكهربة مما قد يصيب المشغل بصدمة كهربائية.
- ◀ استخدم العدة الكهربائية فقط للتجليخ الجاف. يزداد خطر الصدمات الكهربائية إن تسرب الماء إلى داخل العدة الكهربائية.
- ◀ قم بتحريك العدة الكهربائية وهي مشغلة عكس قطعة الشغل وقم أولا بإيقافها أولا، بعد أن ترفعها عن قطعة الشغل. قد تتحرك العدة الكهربائية بشكل مفاجئ.

- (8) زر ضبط مسار السير
 (9) وصلة النفخ
 (10) كيس الغبار
 (11) الصفحة المعدنية
 (12) لباد الصوف
 (13) غطاء إضافي لحامل الفرش الفحمية بالأمام
 (14) غطاء إضافي لحامل الفرش الفحمية بالأمام (2)
 (x)
 (15) حامل الفرش الفحمية بالأمام (x 2) مع الفرش الفحمية

الأجزاء المصورة

يشير ترقيم الأجزاء المصورة إلى الصورة المعروضة للعدة الكهربائية في صفحة الرسوم.

- (1) مقبض إضافي (سطح قبض معزول)
 (2) سير تجليخ
 (3) عجلة ضبط سرعة السير مسبقاً
 (4) ذراع شد سير التجليخ
 (5) مفتاح التشغيل والإطفاء
 (6) زر تثبيت مفتاح التشغيل والإطفاء
 (7) مقبض (مقبض مسك معزول)

البيانات الفنية

GBS 750	GBS 750	جلاخة سيرية
3 601 BC1 0D0 3 601 BC1 0G0	3 601 BC1 0E0 3 601 BC1 0H0 3 601 BC1 0K0 3 601 BC1 0L0	رقم الصنف
127	230	الجهد الاسمي
850	850	قدرة الدخل الاسمية
420-200	420-200	سرعة السير الاحملية
533	533	طول سير التجليخ
75	75	عرض سير التجليخ
●	●	ضبط سرعة السير مسبقاً
●	●	وصلة شفط داخلي/خارجي
3,6	3,6	الوزن
II/□	II/□	فئة الحماية

تسري البيانات على القيم الاسمية المقررة. قد تختلف تلك البيانات حسب اختلاف الجهد والطرازات الخاصة بكل دولة. قد تختلف القيم حسب المنتج وظروف الاستخدام والبيئة. المزيد من المعلومات على موقع الإنترنت www.bosch-professional.com/wac.

◀ **تجنب تراكم الغبار بمكان العمل.** يجوز أن تشتعل الأغبرة بسهولة.

الشفط الذاتي بواسطة كيس الغبار

في الأعمال الأصغر يمكنك توصيل كيس غبار (توابع) (10). أدخل فوهة كيس الغبار بإحكام في وصلة النفخ (9). أفرغ كيس الغبار (10) في الوقت المناسب حتى يظل استقبال الغبار في وضع مثالي.

الشفط الخارجي

قم بتركيب خرطوم الشفط على فوهة الشفط (9). قم بتوصيل خرطوم الشفط بشفاط الغبار. تجد في نهاية هذا الدليل عرضاً عاماً للتوصيل بشفاطات الغبار المختلفة.
يجب أن تصل شفاطة الغبار الخوائية للاستعمال مع مادة الشغل المرغوب معالجتها.
استخدم شفاطة غبار خوائية خاصة عند شفط الأغبرة المضرة بالصحة أو المسببة للسرطان أو الشديدة الجفاف.

تغيير سير التجليخ (انظر الصورة A)

– حرك ذراع الشد (4) للخارج تماماً. أصبح سير التجليخ (2) الآن حراً، ويمكن خلعه.

التركيب

◀ **اسحب القابس من مقبس الشبكة الكهربائية قبل إجراء أي عمل على العدة الكهربائية.**

شفط الغبار/النشارة

إن غبار بعض المواد كالطلاء الذي يحتوي على الرصاص، وبعض أنواع الخشب والفلزات والمعادن، قد تكون مضرّة بالصحة. إن ملامسة أو استنشاق غبار قد يؤدي إلى أعراض حساسية و/أو إلى أمراض الجهاز التنفسي لدى المستخدم أو لدى الأشخاص المتواجدين على مقربة من المكان.
تعتبر بعض الأغبرة المعينة، كأغبرة البلوط والزان، مسببة للسرطان، ولا سيما عند الارتباط بالمواد الإضافية لمعالجة الخشب (ملح حامض الكروميك، المواد الحافظة للخشب). يجوز أن يتم معالجة المواد التي تحتوي على الأسبستوس من قبل العمال المتخصصين فقط دون غيرهم.

- استخدم شفاطة غبار ملائمة للمادة قدر الإمكان.
- حافظ على تهوية مكان الشغل بشكل جيد.
- ينصح بارتداء قناع وقاية للتنفس بفئة المرشح P2. تراعى الأحكام السارية في بلدكم بالنسبة للمواد المرغوب معالجتها.

حاول أن تعمل بضغط ارتكاز منخفض قدر الإمكان لزيادة مدة صلاحية سيور الجلج. إن وزن العدة الكهربائية بمفردها يكفي لاداء عملية تجليخ جيدة. إن زيادة ضغط الارتكاز بشكل كبير لا يؤدي إلى زيادة قدرة الجلج، بل إلى استهلاك أكبر بالعدة الكهربائية وسيور الجلج.

ركز العدة الكهربائية على السطح المرغوب معالجته وهي في حالة التشغيل. اشتغل بدفع معتدل إلى الأمام وأنجز عملية التجليخ بموازاة وتراكب بالنسبة لخطوط التجليخ. نفذ عمل التجليخ باتجاه الألياف، إذ أن آثار التجليخ العرضية تؤدي إلى معالم تجليخ مزعجة.

عند إزالة بقايا الورنيش بالتجليخ، قد تنصهر البقايا فتؤدي إلى تلطيخ سطح مادة الشغل وسيور التجليخ. لذلك أحرص عند العمل على استخدام تجهيزة شفط غبار.

ينبغي ألا يتم استخدام سير تجليخ سبق وتم استعماله لتجليخ المعادن من أجل تجليخ أية مواد أخرى. اقتصر على استخدام توابع التجليخ الأصلي Bosch. احتفظ بسيور التجليخ فقط عن طريق تعليقها ولا تقوم بثنيها، لأن ذلك سيؤدي إلى عدم صلاحيتها للاستعمال. يسمع إطار التجليخ (من التوابع) بالتوصل إلى قدرة إزاحة منتظمة وقابلة للتغيير عند جلج السطوح الخشبية الكبيرة.

الصيانة والخدمة

الصيانة والتنظيف

◀ اسحب القابض من مقبس الشبكة الكهربائية قبل إجراء أي عمل على العدة الكهربائية.

◀ للعمل بشكل جيد وأمن حافظ دائماً على نظافة العدة الكهربائية وفتحات التهوية .

إذا تطلب الأمر استبدال خط الإمداد، فينبغي أن يتم ذلك من قبل شركة Bosch أو من قبل مركز خدمة الزبائن المعتمد لشركة Bosch للعدد الكهربائية، لتجنب التعرض للمخاطر.

قم بإزالة غبار الجلج الملتصق باستخدام فرشاة.

تغيير الصفيحة المعدنية (انظر الصورة B)

يتم ربط الصفيحة المعدنية (11) على لباد الصوف (12) وهي تتيح شكل تجليخ مثالي.

الصفيحة المعدنية (11) معرضة للتآكل المرتبط بكثافة الاستخدام. لاستبدال الصفيحة المعدنية (11) قم بخلع سير التجليخ (2). قم بفك الصفيحة المعدنية (11) وقيم باستبدالها.

بعد تركيب سير التجليخ ينبغي أن يضبط مسار السير (انظر "تغيير سير التجليخ (انظر الصورة A)"، الصفحة 52).

تغيير الفرش الفحمية (انظر الصورة C)

قم بفحص طول الفرش الفحمية بعد كل شهرين - ثلاثة أشهر تقريبا، واستبدل الفرشتين الفحميتين عند الضرورة.

لا تستبدل أبدا فرشاة فحمية واحدة فقط.

إرشاد: استخدم فقط الفرش الفحمية المشتراة من شركة بوش والمخصصة لهذا المنتج.

- ركب سير التجليخ (2) الجديد. احرص على أن يتطابق اتجاه السهم على شريط الجلج مع اتجاه السهم على جسم العدة الكهربائية.

- أعد قلب ذراع الشد (4) إلى الوضع الأصلي.

- قم بضبط سير التجليخ (2) باستخدام زر الضبط (8) بحيث يكون مستقرًا في منتصف مساره.

احرص على ألا يتم تجليخ هيكل العدة عن طريق سير التجليخ (2). افحص مسار السير بانتظام واضبطه عند اللزوم بواسطة زر الضبط (8).

اختيار سير التجليخ

تتوفر سيور تجليخ مختلفة حسب المادة المطلوب معالجتها وحسب قدرة الإزاحة المرغوبة:

المحبيات

320-40

red:Wood

لمعالجة شتى أنواع المواد الخشبية

للتجليخ الأولي في العوارض والألواح الخشبية الخشنة وغير المصقولة على سبيل المثال

للتجليخ السطحي وتسوية مواضع عدم الاستواء الصغيرة

لإنهاء وتنعيم تجليخ الأخشاب الصلدة

تقريباً 60, 40

متوسطة 100, 80, 120, 150

دقيق 180, 220, 280, 320

التشغيل

بدء التشغيل

◀ انتبه إلى جهد الشبكة الكهربائية! يجب أن يتطابق جهد منبع التيار مع البيانات المذكورة على لوحة صنع العدة الكهربائية.

التشغيل والإطفاء

◀ تأكد أنه بإمكانك الضغط على زر التشغيل/الإيقاف دون ترك المقبض اليدوي.

لغرض تشغيل العدة الكهربائية اضغط على مفتاح التشغيل/الإطفاء (5) واحتفظ به مضغوطة.

لغرض تثبيت مفتاح التشغيل/الإطفاء (5)، احتفظ به مضغوطة واضغط على زر التثبيت أيضا (6).

لغرض إطفاء العدة الكهربائية اترك مفتاح التشغيل/الإطفاء (5). في حالة ثبات زر التشغيل/الإطفاء (5)، اضغط عليه أولاً ثم اتركه بعد ذلك.

إرشادات العمل

◀ اسحب القابض من مقبس الشبكة الكهربائية قبل إجراء أي عمل على العدة الكهربائية.

يتم تحديد قدرة الإزاحة أثناء التجليخ وجودة السطح بشكل كبير من خلال اختيار سير التجليخ وأيضاً من خلال سرعة السير التي تم ضبطها سابقاً. كلما زادت سرعة السير ازدادت قدرة الإزاحة وازدادت نعومة سطح التجليخ.

إن سيور التجليخ السليمة هي وحدها التي تؤمن قدرة التجليخ الجيدة والتي تصون العدة الكهربائية.

- قم بفك اللولب من الغطاء الإضافي في الأمام **(13)** باستخدام مفك لوالب متصالب. أخلع الغطاء الإضافي.
- قم بفك اللولب على جانبي الغطاء **(14)** باستخدام مفك لوالب مناسب.
- استبدل الفرش الفجمية **(15)** الواقعة تحت ضغط نابضي، وأعد ربط الأغطية بإحكام.

خدمة العملاء واستشارات الاستخدام

يجب مركز خدمة العملاء على الأسئلة المتعلقة بإصلاح المنتج وصيانتته، بالإضافة لقطع الغيار. تجد الرسوم التفصيلية والمعلومات الخاصة بقطع الغيار في الموقع: www.bosch-pt.com
يسر فريق Bosch لاستشارات الاستخدام مساعدتك إذا كان لديك أي استفسارات بخصوص منتجاتنا وملحقاتها.
يلزم ذكر رقم الصنف ذو الخانات العشر وفقاً للوحة صنع المنتج عند إرسال أية استفسارات أو طلبات قطع غيار.

المغرب

Robert Bosch Morocco SARL
53، شارع الملازم محمد محروود
20300 الدار البيضاء
الهاتف: +212 5 29 31 43 27
البريد الإلكتروني: sav.outillage@ma.bosch.com

تجد المزيد من عناوين الخدمة تحت:

www.bosch-pt.com/serviceaddresses

التخلص من العدة الكهربائية

ينبغي تسليم العدد الكهربائية والتوابع والعبوة إلى مركز معالجة النفايات بطريقة محافظة على البيئة.
لا ترم العدد الكهربائية ضمن النفايات المنزلية.



مناسب برای محیط باز، خطر برق گرفتگی را کم می کنند.

◀ در صورت لزوم کار با ابزار برقی در محیط و اماکن مرطوب، باید از یک کلید حفاظتی جریان خطا و نشستی زمین (کلید قطع کننده اتصال با زمین) استفاده کنید. استفاده از کلید حفاظتی جریان خطا و نشستی زمین خطر برق گرفتگی را کاهش می دهد.

رعایت ایمنی اشخاص

◀ حواس خود را خوب جمع کنید، به کار خود دقت کنید و با فکر و هوشیاری کامل با ابزار برقی کار کنید. در صورت خستگی و یا در صورتی که مواد مخدر، الکل و دارو استفاده کرده‌اید، با ابزار برقی کار نکنید. یک لحظه بی توجهی هنگام کار با ابزار برقی، میتواند جراثم های شدیدی به همراه داشته باشد.

◀ از تجهیزات ایمنی شخصی استفاده کنید. همواره از عینک ایمنی استفاده نمایید. استفاده از تجهیزات ایمنی مانند ماسک ضد گرد و غبار، کفشهای ایمنی ضد لغزش، کلاه ایمنی و گوشی محافظ متناسب با نوع کار با ابزار برقی، خطر مجروح شدن را کاهش میدهد.

◀ مواظب باشید که ابزار برقی بطور ناخواسته بکار نیفتد. قبل از وارد کردن دوشاخه دستگاه در پریز برق، اتصال آن به باتری، برداشتن آن و یا حمل دستگاه، باید دقت کنید که ابزار برقی خاموش باشد. در صورتی که هنگام حمل دستگاه انگشت شما روی دکمه قطع و وصل باشد و یا دستگاه را در حالت روشن به برق بزنید، ممکن است سوانح کاری پیش آید.

◀ قبل از روشن کردن ابزار برقی، همه ابزارهای تنظیم کننده و آچارها را از روی دستگاه بردارید. ابزار و آچارهایی که روی بخش های چرخنده دستگاه قرار دارند، میتوانند باعث ایجاد جراثم شوند.

◀ وضعیت بدن شما باید در حالت عادی قرار داشته باشد. برای کار جای مطمئنی برای خود انتخاب کرده و تعادل خود را همواره حفظ کنید. به این ترتیب میتوانید ابزار برقی را در وضعیتهای غیر منظره بهتر تحت کنترل داشته باشید.

◀ لباس مناسب بپوشید. از پوشیدن لباسهای گشاد و حمل زینت آلات خودداری کنید. موها و لباس خود را از بخشهای در حال چرخش دستگاه دور نگه دارید. لباسهای گشاد، موی بلند و زینت آلات ممکن است در قسمتهای در حال چرخش دستگاه گیر کنند.

◀ در صورتی که تجهیزاتی برای اتصال وسائل مکش گرد و غبار و یا وسیله جمع کننده گرد و غبار ارائه شده است، باید مطمئن شوید که این وسائل درست نصب و استفاده می شوند. استفاده از وسائل مکش گرد و غبار مصونیت شما را در برابر گرد و غبار زیادتیر میکند.

◀ آشنایی با ابزار به دلیل کار کردن زیاد با آن نباید باعث سهل انگاری شما و نادیده گرفتن اصول ایمنی شود. بی دقتی ممکن است باعث بروز جراثمی در عرض کسری از ثانیه شود.

فارسی

دستورات ایمنی

نکات ایمنی عمومی برای ابزارهای برقی

⚠ هشدار کلیه هشدارها، دستورالعملها، تصاویر و مشخصات ارائه شده به همراه ابزار برقی را مطالعه کنید. اشتباهات ناشی از عدم رعایت این دستورات ایمنی ممکن است باعث برق گرفتگی، سوختگی و یا سایر جراثم های شدید شود. کلیه هشدارهای ایمنی و راهنماییها را برای آینده خوب نگهداری کنید.

عبارت «ابزار برقی» در هشدارها به ابزارهایی که به پریز برق متصل میشوند (با سیم برق) و یا ابزارهای برقی باتری دار (بدون سیم برق) اشاره دارد.

ایمنی محل کار

◀ محیط کار را تمیز و روشن نگه دارید. محیطهای در هم ریخته یا تاریک احتمال بروز حادثه را افزایش میدهند.

◀ ابزار برقی را در محیطهایی که خطر انفجار وجود دارد و حاوی مایعات، گازها و بخارهای متحرکه هستند، به کار نگیرید. ابزارهای برقی چرخههایی ایجاد میکنند که میتوانند باعث آتش گرفتن گرد و غبارهای موجود در هوا شوند.

◀ هنگام کار با ابزار برقی، کودکان و سایر افراد را از دستگاه دور نگه دارید. در صورتیکه حواس شما پرت شود، ممکن است کنترل دستگاه از دست شما خارج شود.

ایمنی الکتریکی

◀ دوشاخه ابزار برقی باید با پریز برق تناسب داشته باشد. هیچگونه تغییری در دوشاخه ایجاد نکنید. مبدل دوشاخه نباید همراه با ابزار برقی دارای اتصال زمین استفاده شود. دوشاخههای اصل و تغییر داده نشده و پریزهای مناسب، خطر برق گرفتگی را کاهش میدهند.

◀ از تماس بدنی با قطعات متصل به سیم اتصال زمین مانند لوله، شوفاژ، اجاق برقی و یخچال خودداری کنید. در صورت تماس بدنی با سطوح و قطعات دارای اتصال به زمین و همچنین تماس شما با زمین، خطر برق گرفتگی افزایش می یابد.

◀ ابزارهای برقی را در معرض باران و رطوبت قرار ندهید. نفوذ آب به ابزار برقی، خطر شوک الکتریکی را افزایش میدهد.

◀ از سیم دستگاه برای مقاصد دیگر استفاده نکنید. هرگز برای حمل ابزار برقی، کشیدن آن یا خارج کردن دوشاخه از سیم دستگاه استفاده نکنید. کابل دستگاه را از حرارت، روغن، لپه‌های تیز یا قطعات متحرک دور نگه دارید. کابلهای آسیب دیده و یا گره خورده خطر شوک الکتریکی را افزایش میدهند.

◀ هنگام استفاده از ابزار برقی در محیطهای باز، تنها از کابل رابطی استفاده کنید که برای محیط باز نیز مناسب باشد. کابل های رابط

- ◀ از ابزار برقی تنها برای ساب خشک استفاده کنید. نفوذ آب به ابزار الکتریکی، خطر شوک الکتریکی را افزایش میدهد.
- ◀ ابزار برقی را فقط هنگام روشن بودن به طرف قطعهکار برانید و آن را تنها پس از بلند کردن قطعه کار خاموش کنید. ابزار برقی ممکن است ناگهان بکار بیافتد.
- ◀ هرگز به نوار ساب در حال حرکت دست نزنید. خطر جراحت وجود دارد.
- ◀ از دستکش ایمنی استفاده کنید و هرگز به نوار ساب در حال حرکت دست نزنید. خطر جراحت وجود دارد.
- ◀ دقت کنید که هیچ فردی در معرض پرش جرقه قرار نگرفته باشد. اشیاء قابل اشتعال نزدیک را بردارید. هنگام سابزدن فلزات، جرقه تولید میشود.
- ◀ از نوارهای ساب فرسوده، ترکدار یا دارای رسوب زیاد استفاده نکنید. نوارهای ساب آسیب دیده ممکن است بشکنند، پرت شوند و دیگران را زخمی کنند.
- ◀ احتیاط: خطر آتشسوزی! از داغ شدن بیش از اندازه قطعهکار و دستگاه ساب جلوگیری کنید. قبل از انجام استراحت کاری، محافظه گرد و غبار را خالی کنید. گرد و غبار ناشی از سایش در محفظه گرد و غبار، فیلتر ظرف، کیسه کاغذی (یا در کیسه فیلتر یا کیسه مکنده) ممکن است در شرایط نامناسبی مانند پرش جرقه هنگام سابزدن فلزات، خودبهخود آتش بگیرند. بخصوص وقتی که گرد و غبار ناشی از سایش، دارای رنگ، بقایای پلیاتان یا سایر مواد شیمیایی و قطعه کار پس از کار طولانی داغ شده باشد، خطرناک است.
- ◀ شیارهای تهویه ابزار برقی خود را مرتب تمیز کنید. گرد و غباری که از طریق پروانه موتور به داخل محفظه وارد شود و یا تجمع زیاد برآمده فلز در آن ممکن است سوانع و خطرات الکتریکی را منجر گردد.
- ◀ قطعه کار را محکم کنید. در صورتیکه قطعه کار به وسیله تجهیزات نگهدارنده و یا بوسیله گیره محکم شده باشد، قطعه کار مطمئن تر نگه داشته میشود، تا اینکه بوسیله دست نگهداشته شود.
- ◀ قبل از کنار گذاشتن ابزار برقی صبر کنید تا دستگاه بطور کامل از کار و حرکت بایستد. ابزار ممکن است به قطعه کار گیر کرده و کنترل ابزار برقی از دست شما خارج شود.
- ◀ ابزار برقی را هنگام کار با دو دست محکم بگیرید و وضعیت خود را ثابت و مطمئن کنید. ابزار برقی با دو دست مطمئن تر هدایت می شود.

توضیحات محصول و کارکرد

همه دستورات ایمنی و راهنماییها را بخوانید. اشتباهات ناشی از عدم رعایت این دستورات ایمنی ممکن است باعث برفکرفتگی، سوختگی و یا سایر جراحت های شدید شود.



به تصویرهای واقع در بخشهای اول دفترچه راهنما توجه کنید.

- استفاده صحیح از ابزار برقی و مراقبت از آن
 - ◀ از وارد کردن فشار زیاد روی دستگاه خودداری کنید. برای هر کاری، از ابزار برقی مناسب با آن استفاده کنید. بکار گرفتن ابزار برقی مناسب باعث میشود که بتوانید از توان دستگاه بهتر و با اطمینان بیشتر استفاده کنید.
 - ◀ در صورت ایراد در کلید قطع و وصل ابزار برقی، از دستگاه استفاده نکنید. ابزار برقی که نمی توان آنها را قطع و وصل کرد، خطرناک بوده و باید تعمیر شوند.
 - ◀ قبل از تنظیم ابزار برقی، تعویض متعلقات و یا کنار گذاشتن آن، دوشاخه را از برق بکشید و یا باتری آنرا خارج کنید. رعایت این اقدامات پیشگیری ایمنی از راه افتادن ناخواسته ابزار برقی جلوگیری می کند.
 - ◀ ابزار برقی را در صورت عدم استفاده، از دسترس کودکان دور نگه دارید و اجازه ندهید که افراد ناوارد و یا اشخاصی که این دفترچه راهنما را نخواندهاند، با این دستگاه کار کنند. قرار گرفتن ابزار برقی در دست افراد ناوارد و بی تجربه خطرناک است.
 - ◀ از ابزار برقی و متعلقات خوب مراقبت کنید. مواظب باشید که قسمت های متحرک دستگاه خوب کار کرده و گیر نکنند. همچنین دقت کنید که قطعات ابزار برقی شکسته و یا آسیب دیده نباشند. قطعات آسیب دیده را قبل از شروع به کار تعمیر کنید. علت بسیاری از سوانع کاری، عدم مراقبت کامل از ابزارهای برقی می باشد.
 - ◀ ابزار برش را تیز و تمیز نگه دارید. ابزار برشی که خوب مراقبت شده و از لبه های تیز برخوردار است، کمتر در قطعه کار گیر کرده و بهتر قابل هدایت است.
 - ◀ ابزار برقی، متعلقات، متهای دستگاه و غیره را مطابق دستورات این جزوه راهنما به کار گیرید و به شرایط کاری و نوع کار نیز توجه داشته باشید. استفاده از ابزار برقی برای عملیاتی به جز مقاصد در نظر گرفته شده، میتواند به بروز شرایط خطرناک منجر شود.
 - ◀ دستها و سطوح عایق را همواره خشک، تمیز و عاری از روغن و گریس نگه دارید. دسته های لغزنده مانع ایمنی و کنترل در کار در شرایط غیر منتظره هستند.
- سرویس**
- ◀ برای تعمیر ابزار برقی فقط به متخصصین حرفهای رجوع کنید و از قطعات یدکی اصل استفاده نمایید. این باعث خواهد شد که ایمنی دستگاه شما تضمین گردد.

دستورات ایمنی برای دستگاه ساب

- ◀ ابزار برقی را از محل سطوح عایق دار آن در دست بگیرید، زیرا امکان تماس تیغه برش با کابل برق دستگاه وجود دارد. در صورت برخورد با یک کابل حامل "جریان برق" ممکن است قسمتهای فلزی ابزار برقی حامل "جریان برق" شوند و باعث بروز شوک الکتریکی یا برق گرفتگی گردند.

موارد استفاده از دستگاه

این ابزار برقی برای سنباده کاری خشک سطوح - با قدرت لایه برداری زیاد - برای چوب و فلز و همچنین سطوح لاک کاری شده در نظر گرفته شده است.

اجزاء دستگاه

شماره گذاری تصاویر اجزاء دستگاه بر اساس شکل ابزار برقی در صفحه تصاویر است.

(1) دسته کمکی (دارای روکش عایق)

(2) نوار سنباده

(3) چرخک تنظیم برای انتخاب سرعت نوار

(4) اهرم قفل کن برای نوار سنباده

- (5) کلید روشن/خاموش
- (6) دکمه تثبیت کلید روشن/خاموش
- (7) دسته (دارای روکش عایق)
- (8) دکمه تنظیم برای حرکت نوار
- (9) محافظ خروجی هوا
- (10) کیسه جمع آوری تراشه و گرد و غبار
- (11) صفحه فلزی
- (12) نمد پشمی
- (13) درپوش اضافی نگهدارنده ذغال جلو
- (14) درپوش نگهدارنده ذغال (2 عدد)
- (15) نگهدارنده ذغال (2 عدد) با ذغال

مشخصات فنی

سنباده نواری		شماره فنی
GBS 750	GBS 750	
3 601 BC1 0D0	3 601 BC1 0E0	
3 601 BC1 0G0	3 601 BC1 0H0	
	3 601 BC1 0K0	
	3 601 BC1 0L0	
127	230	V
850	850	W
200-420	200-420	m/min
533	533	mm
75	75	mm
●	●	
●	●	
3,6	3,6	kg
II/□	II/□	

اطلاعات برای ولتاژهای نامی داده شده معتبر هستند. برای ولتاژهای مختلف و تولیدات خاص کشورها، ممکن است این مقادیر متفاوت باشند. مقادیر ممکن است بسته به محصول متفاوت باشند و بستگی به شرایط استفاده و محیطی دارند. اطلاعات بیشتر را در سایت www.bosch-professional.com/wac مشاهده نمایید.

- حتی الامکان از یک دستگاه مکش مناسب و درخور ماده (قطعه کار) استفاده کنید.
- توجه داشته باشید که محل کار شما از تهویه هوای کافی برخوردار باشد.
- توصیه میشود از ماسک تنفسی ایمنی با درجه فیلتر P2 استفاده کنید.

به قوانین و مقررات معتبر در کشور خود در رابطه با استفاده از مواد و قطعات کاری توجه کنید.

◀ **از تجمع گرد و غبار در محل کار جلوگیری کنید.** گرد و غبار می توانند به آسانی مشتعل شوند.

مکش گرد و غبار توسط کیسه گرد و غبار

برای کارهای کوچک می توان یک کیسه گرد و غبار (متعلقات) (10) نصب کرد. آداپتور مکش را در لوله خروجی هوا (9) فرو کنید. کیسه گرد و غبار (10) را جهت مکش بهینه مرتب خالی کنید.

مکش گرد و غبار توسط مکنده مجزا

شلنگ مکش را روی لوله مکش (9) قرار دهید.

نصب

◀ **پیش از انجام هرگونه کاری بر روی ابزار الکتریکی، دوشاخه اتصال آنرا از داخل پریز برق بیرون بکشید.**

مکش گرد، براده و تراشه

گرد و غبار موادی مانند رنگ های دارای سرب، بعضی از چوب ها، مواد معدنی و فلزات میتوانند برای سلامتی مضر باشند. دست زدن و یا تنفس کردن گرد و غبار ممکن است باعث بروز آلرژی و یا بیماری مجاری تنفسی شخص استفاده کننده و یا افرادی که در آن نزدیکی میباشند، بشود. گرد و غبارهای مخصوصی مانند گرد و غبار درخت بلوط و یا درخت راش سرطان زا هستند، بخصوص ترکیب آنها با سایر موادی که برای کار بر روی چوب (کرومات، مواد برای محافظت از چوب) بکار برده میشوند. فقط افراد متخصص مجازند با موادی که دارای آزیست میباشند کار کنند.

برای **تثبیت** کلید قطع و وصل (5) آن و کلید تثبیت (6) را فشار دهید.

برای **خاموش کردن** ابزار برقی کلید قطع و وصل (5) را رها کنید. در صورت قفل بودن کلید قطع و وصل (5) آن را ابتدا فشار دهید و بعد آن را رها کنید.

راهنمایهای عملی

◀ پیش از انجام هرگونه کاری بر روی ابزار الکتریکی، دوشاخه اتصال آنرا از داخل پریز برق بیرون بکشید.

میزان لایه برداری هنگام سائیدن و کیفیت سطح قطعه کار، عمدتاً از طریق انتخاب نوار سنبله و همچنین بوسیله انتخاب سرعت حرکت نوار تعیین می شود. هر چه سرعت حرکت نوار دستگاه بالاتر باشد، به همان نسبت مقدار بیشتری لایه برداری انجام شده و سطح قطعه کار صاف تر می شود.

فقط بوسیله نوارهای سنبله بدون نقص می توان نتیجه کار خوب بدست آورد و ابزار برقی را بخوبی حفظ نمود.

حتی الامکان با فشار کم کار کنید تا نوارهای سنبله طول عمر بیشتری داشته باشند. وزن خود دستگاه برای قدرت سایش خوب، کافی می باشد. افزایش بیش از حد فشار بر روی دستگاه، منجر به سائیدن بهتر نمی شود بلکه فقط باعث استهلاک ابزار برقی و نوار سنبله میشود.

ابزار برقی را فقط در حال روشن بودن آن بر روی سطح قطعه کار قرار دهید و آنرا بطور آهسته و متعادل بطرف جلو حرکت دهید و عمل سنبله کاری را موازی و منطبق با مسیر سنبله کاری انجام دهید. عمل سنبله زنی را در مسیر تار و پود قطعه کار انجام دهید. حرکت خلاف مسیر تار و پود، شیارهای عرضی و نامطلوب در قطعه کار ایجاد می کند و باعث ایجاد سطح کار نامسطح و ناهموار شدن نتیجه کار می شود.

بخصوص هنگام سنبله کردن سطوحی با رنگ لاک، امکان ذوب شدن رنگ وجود داشته و این باعث آلوده شدن سطح قطعه کار و همچنین نوار سنبله می شود. از اینرو از یک مکنده استفاده کنید.

نوار سنبله ای که با آن قبلاً روی فلز کار شده باشد، نباید برای مواد دیگر بکار برده شود.

تنها متعلقات ساب اصلی **Bosch** را بکار برید.

نوارهای سنبله را منحصراً در حالت آویخته نگهداری کنید و آنها را تا نکنید، در غیر اینصورت قابل استفاده نخواهند بود.

بوسیله قاب مخصوص سنبله (متعلقات) لایه برداری هموار و قابل تنظیم برای پرداخت کاملاً مسطح سطوح چوبی بزرگ امکان پذیر است.

مراقبت و سرویس

مراقبت، تعمیر و تمیز کردن دستگاه

◀ پیش از انجام هرگونه کاری بر روی ابزار الکتریکی، دوشاخه اتصال آنرا از داخل پریز برق بیرون بکشید.

شلنگ مکش را به یک مکنده متصل کنید. تشریح نحوه اتصال مکنده های مختلف را در انتهای این دفترچه راهنما می یابید.

دستگاه مکنده باید برای قطعه کار مورد نظر مناسب باشد.

برای مکش گرد و غباری که برای سلامتی مضرند و سرطان زا هستند و یا برای مکش تراشه های خشک باید از یک دستگاه مکنده مخصوص استفاده کنید.

تعویض نوار ساب (رجوع کنید به تصویر A)

– اهرم مهار (4) را کاملاً بیرون بکشید. نوار سنبله (2) حالا آزاد است و میتوان آن را برداشت.

– نوار سنبله جدید (2) را قرار دهید. دقت کنید که جهت های فلش واقع در طرف درونی نوار سنبله و بدنه ابزار برقی با هم مطابقت داشته باشند.

– اهرم مهار (4) را دوباره به حالت اولیه برگردانید.

– نوار سنبله (2) را توسط دکمه تنظیم (8) طوری تنظیم کنید که نوار به طور ثابت در مرکز حرکت نوار قرار بگیرد.

دقت کنید که نوار ساب (2) بدنه را نساید. همواره حرکت نوار را کنترل و در صورت نیاز آن را با دکمه تنظیم (8) میزان کنید.

انتخاب نوار سنبله

متناسب با نوع چسبی که بر روی آن کار انجام می شود و میزان لایه برداری مورد نظر از سطح قطعه کار، نوارهای سنبله متفاوت در اختیار قرار دارند:

ضخامت

320-40

red Wood

جهت کار روی انواع چوب

برای سایش اولیه، مانند تیر و تقریبی 40, 60	تخته های رنده نشده
برای سایشکاری کلی و صاف متوسط 80, 100, 120	کردن ناهمواریهای کوچک
150	
برای سنبله زدن نهائی و دقیق 180, 220	
280, 320	ظریف چوب های سخت

طرز کار با دستگاه

راه اندازی و نحوه کاربرد دستگاه

◀ به ولتاژ برق شبکه توجه کنید! ولتاژ منبع جریان برق باید با مقادیر موجود بر روی برچسب ابزار الکتریکی مطابقت داشته باشد.

نحوه روشن و خاموش کردن

◀ از فعال کردن کلید قطع و وصل بدون رها کردن دسته مطمئن شوید.

جهت روشن کردن ابزار برقی کلید قطع/وصل (5) را فشار دهید و آنرا نگهدارید.

از رده خارج کردن دستگاه

ابزار برقی، متعلقات و بسته بندی آن، باید طبق مقررات حفظ محیط زیست از رده خارج و بازیافت شوند.

ابزارهای برقی را داخل زباله دان خانگی نیندازید!



◀ ابزار الکتریکی و شیارهای تهویه آنرا تمیز نگاه دارید، تا ایمنی شما در کار تضمین گردد.

در صورت نیاز به یک کابل یدکی برای اتصال به شبکه برق، بایستی به شرکت **Bosch** و یا به نمایندگی مجاز **Bosch** (خدمات پس از فروش) برای ابزار آلات برقی مراجعه کنید تا از بروز خطرات ایمنی جلوگیری بعمل آید.

گرد و غبار و ذرات چسبنده سنبله کاری را بوسیله یک برس (قلم مو) پاک کنید.

تعویض صفحه فلزی (رجوع کنید به تصویر B)

صفحه فلزی (11) روی نمذ پشمی (12) پیچ می شود و یک الگوی سایش بهینه را امکان پذیر می کند.

صفحه فلزی (11) بسته به میزان استفاده، در معرض سایش است. برای تعویض صفحه فلزی (11)، نوار سنبله (2) را جدا کنید. صفحه فلزی (11) را باز کنید و آن را عوض کنید.

پس از قرار دادن نوار سنبله، حرکت نوار را تنظیم کنید (رجوع کنید به «تعویض نوار ساب (رجوع کنید به تصویر A)»، صفحه 58).

تعویض زغال (رجوع کنید به تصویر C)

طول زغال را هر 2-3 ماه کنترل کنید و در صورت لزوم هر دو را تعویض کنید.

هرگز فقط به تعویض یک زغال اکتفا نکنید!

نکته: فقط از زغال هایی استفاده کنید که در رابطه با محصول شما از طرف بوش توصیه شده اند.

- با استفاده از پیچ گوشتی چهارسو، پیچ درپوش اضافی جلو (13) را باز کنید. درپوش اضافی را بردارید.

- با استفاده از پیچ گوشتی مناسب، پیچ هر دو طرف درپوش (14) را بردارید.

- زغال هایی (15) که تحت فشار فنر قرار دارند را عوض کنید و دوباره درپوش ها را ببندید.

خدمات و مشاوره با مشتریان

خدمات مشتری، به سؤالات شما درباره تعمیرات، سرویس و همچنین قطعات یدکی پاسخ خواهد داد. نقشه های سه بعدی و اطلاعات مربوط به قطعات یدکی را در تارنمای زیر میابید:

www.bosch-pt.com

گروه مشاوره به مشتریان Bosch با کمال میل به سؤالات شما درباره محصولات و متعلقات پاسخ می دهند.

برای هرگونه سؤال و یا سفارش قطعات یدکی، حتماً شماره فنی 10 رقمی کالا را مطابق برچسب روی ابزار برقی اطلاع دهید.

ایران

روبرت بوش ایران - شرکت بوش تجارت پارس
میدان ونک، خیابان شهید خدای، خیابان آفتاب
ساختمان مدیران، شماره 3، طبقه سوم.

تهران 1994834571

تلفن: 42039000+9821

آدرس سایر دفاتر خدماتی را در ادامه ببینید:

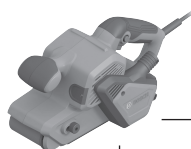
www.bosch-pt.com/serviceaddresses



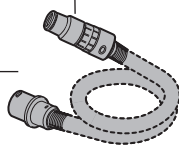
1 619 PC2 362



1 619 PC2 284



1 619 PA7 326

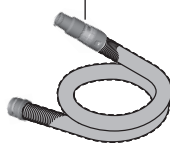


Ø 22 mm:
2 608 000 567 (5 m)
Ø 35 mm:
2 608 000 565 (5 m)
1 619 PB3 826 (3 m)



Ø 22 mm:
2 608 000 568 (5 m)
Ø 35 mm:
2 608 000 566 (5 m)

2 608 000 585



Ø 35 mm:
2 608 000 658 (1,6 m)



GAS 15 PS

GAS
12-25 PLGAS 35 L SFC+
GAS 35 L AFC
GAS 35 M AFC

GAS 55 M AFC



GAS 18V-10 L